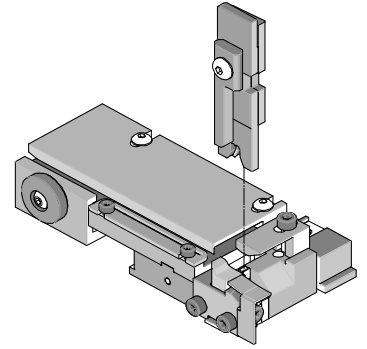




T2 Terminator Tooling Specification Sheet Part No. 63853-2100



FEATURES

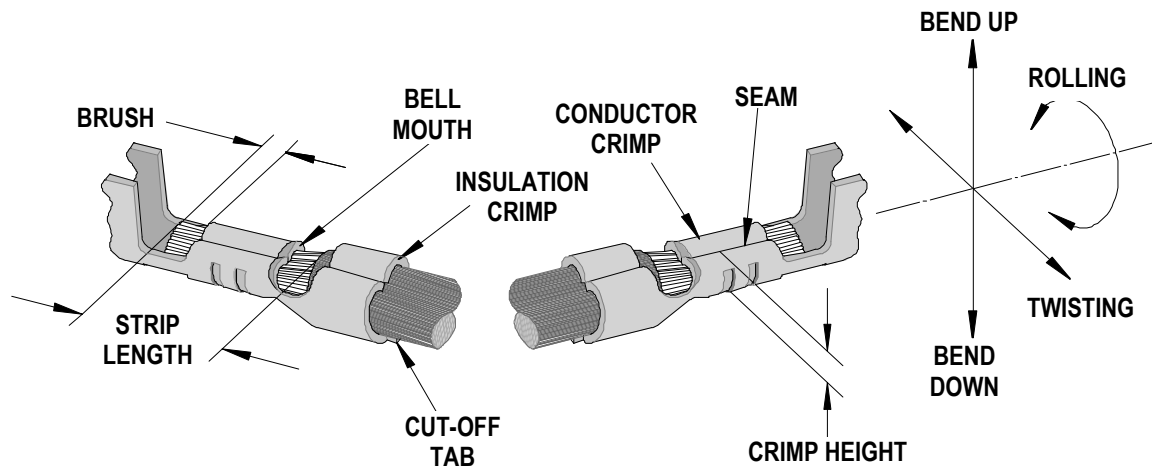
- It is ideally suited for mid-volume bench operations
- This terminator can be installed in the TM42 and the TM40 press or Base Unit adapter for 3BF press
- Quick punch removal with the push of a button for fast and easy tooling change
- Track adjustment capabilities in the T2 Terminators for improved control of the bell mouth size and cutoff tab length
- T2 Terminator has standardized tooling with the Molex FineAdjust Applicator which will reduce your inventory requirements

SCOPE

Products: Right Angle, 2.50mm (.098") Board-In Terminal for 22-28 AWG.

Terminal Series No.	Terminal Order No.		Wire Size		Insulation Diameter Maximum		Strip Length	
			AWG	mm ²	mm	In.	mm	In.
35021	35021-1001	35021-1110	22-28	0.32-0.08	1.90	.075	1.80-2.20	.071-.086
	35021-1100	35021-1160						
	35021-1101							

DEFINITION OF TERMS



The above terminal drawing is a generic terminal representation. It is not an image of a terminal listed in the scope.

CRIMP SPECIFICATION

Terminal Series No.	Bell mouth		Cut-off Tab Maximum		Conductor Brush	
	mm	In.	mm	In.	mm	In.
35021	0.20-0.50	.008-.020	0.30	.012	0.0-1.0	0.0-.039

Terminal Series No.	Bend up	Bend down	Twist	Roll	Punch Width mm (Ref)				Seam Seam shall not be open and no wire allowed out of the crimping area.
	Degree		Degree		Conductor		Insulation		
	mm	In	mm	In	mm	In	mm	In	
35021	3	3	3	3	1.20	.047	1.90	.075	

After crimping, the conductor profile should measure the following.

Terminal Series No.	Wire Size		Conductor			
			Crimp Height		Crimp Width (Ref)	
	AWG	mm ²	mm	In.	mm	In.
35021	22	0.32	0.71-0.76	.028-.030	1.20	.047
	24	0.20	0.66-0.71	.026-.028	1.20	.047
	26	0.13	0.61-0.66	.024-.026	1.20	.047
	28	0.08	0.56-0.61	.022-.024	1.20	.047

Terminal Series No.	Wire Size		Insulation				Pull Force Minimum	
			Crimp Height (Ref)		Crimp Width (Ref)			
	AWG	mm ²	mm	In.	mm	In.	N	Lb.
35021	22	0.32	1.55	.061	2.10	.083	39.2	8.80
	24	0.20	1.50	.059	2.10	.083	29.4	6.60
	26	0.13	1.45	.057	2.10	.083	19.6	4.40
	28	0.08	1.40	.055	2.10	.083	9.8	2.20

Pull Force should be measured with no influence from the insulation crimp.

The above specifications are guidelines to an optimum crimp.

PARTS LIST

Terminator 63853-2100				
Item	Order No	Engineering No.	Description	Quantity
Perishable Tooling				
	63853-2170	63853-2170	Tool Kit (All "Y" Items)	REF
1	63863-2002	63863-2002	Conductor Punch	1 Y
2	63445-1213	63445-1213	Conductor Anvil	1 Y
3	63863-2103	63863-2103	Insulation Punch	1 Y
4	63445-1906	63445-1906	Insulation Anvil	1 Y
5	63443-0003	63443-0003	Cut-Off Plunger	1 Y
6	63443-0012	63443-0012	Front Plunger Retainer	1 Y
Other Components				
7	11-18-4083	60707-8	Front Cover	1
8	11-24-1067	4996-4	Cut-off Plunger Spring	1
9	11-40-4039	8302-5	Front Plunger Striker	1
10	63443-0009	63443-0009	Scrape Chute	1
11	63443-0021	63443-0021	Lower Tooling Key	1
12	63443-2411	63443-2411	Anvil Mount	1
13	63443-4029	63443-4029	Wire Stop	1
14	63445-1613	63445-1613	Spacer Anvil	1
15	63443-6001	63443-6001	Rear Cover	1
Frame				
16	63800-8500	63800-8500	T2 Terminator	1
Hardware				
17	N/A	N/A	M3 by 6 Long SHCS	2**
18	N/A	N/A	M4 by 6 Long SHCS	1**
19	N/A	N/A	M4 by 10 Long BHCS	2**
20	N/A	N/A	M4 by 16 Long SHCS	1**
21	N/A	N/A	M4 by 20 Long SHCS	1**
22	N/A	N/A	M4 by 50 Long SHCS	1**
23	N/A	N/A	3MM by 6 Long Roll Pin	1**
24	N/A	N/A	#10-32 by 1/4" Long BHCS	1**
** Available from an industrial supply company such as MSC (1-800-645-7270).				

Assembly Drawing

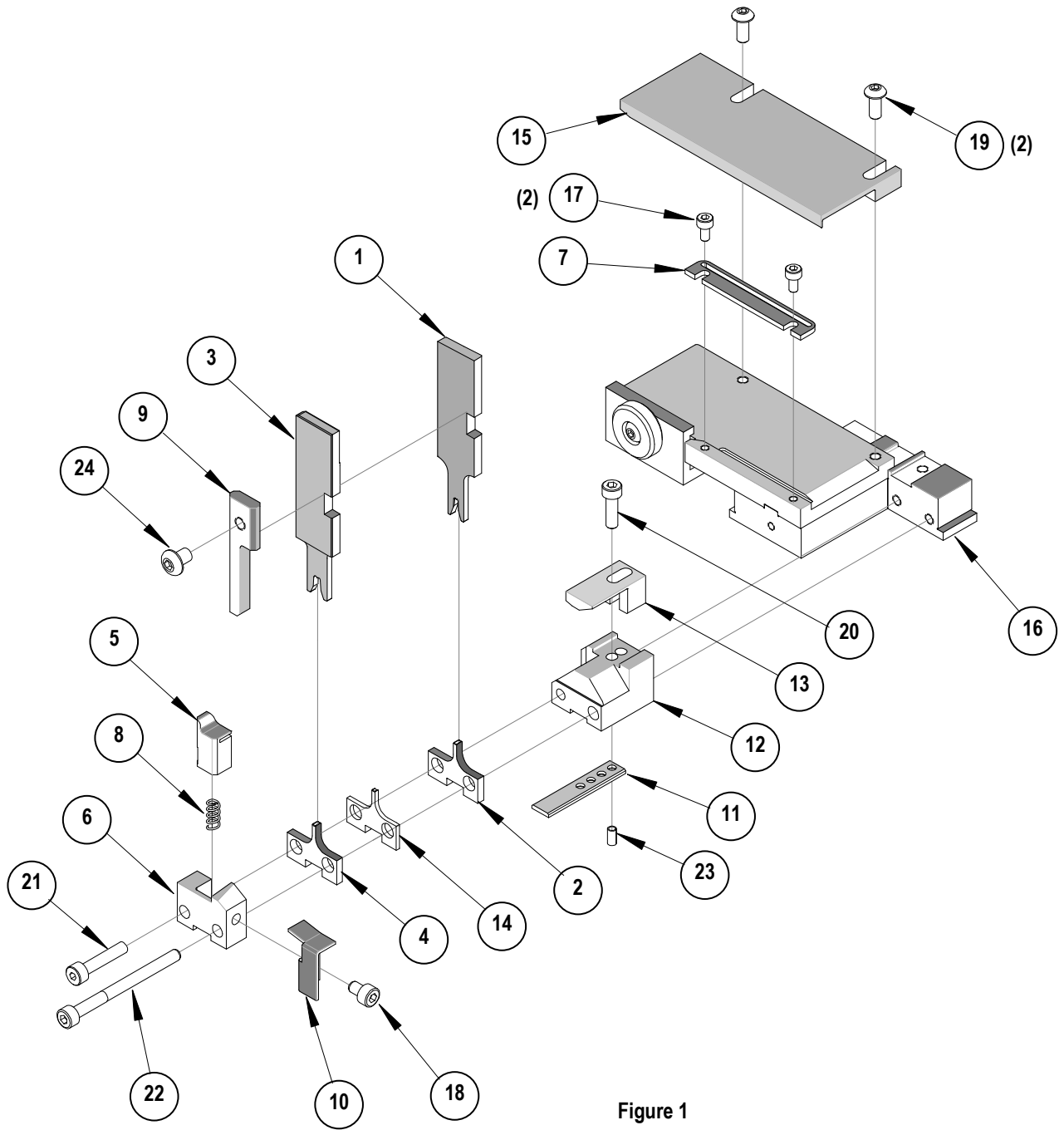


Figure 1

NOTES

Depending on the press vintage a feed finger assembly is supplied with the T2 Terminator.

1. To remove the existing feed finger assembly loosens the M4 x 10 mm set screw in the feed lever.
2. Select T2 Feed finger assembly from Terminator box.
3. Insert a screwdriver into the slot behind the feed lever and force the feed arm spring to the right.
4. Slide the T2 feed finger shaft for TM42 (11-40-5307) or (11-40-0123) for TM40 /Base Unit into the feed lever and to the left of the feed arm spring.
5. Release the feed arm spring.
6. Position feed finger for selected product. (Refer to Figure 5.1 in the T2 Manual).

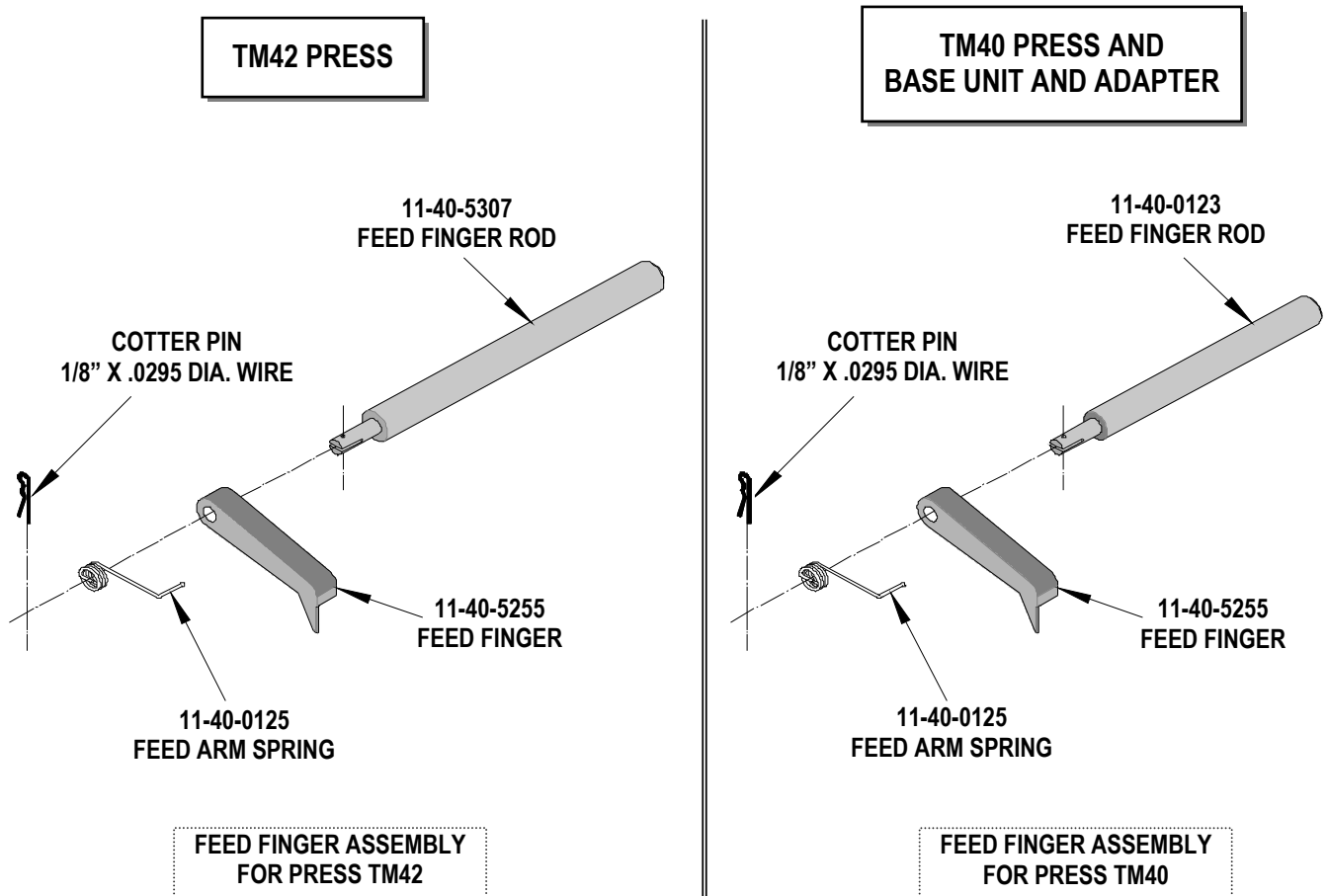


Figure 2

NOTES

1. Molex recommends an extra perishable tooling kit be maintained at your facility.
2. Verify tooling alignment by manually cycling the press before crimping under power. Check that all screws are tight.
3. Slugs, Terminals, Dirt and Oil should be kept clear of work area.
4. This Terminator should be only used in a Molex TM42, TM40, or 3BF Press with a Base Unit adaptor.
5. Wear safety glasses at all times.
6. For recommended maintenance refer to the TM40, TM42 Manual.

CAUTION: To prevent injury never operate this Terminator without the guards supplied with the press in place. Reference the TM42 press manufacturer's instruction manual.

CAUTION: Molex crimp specifications are valid only when used with Molex terminals, applicators and tooling.

Americas Headquarters
Lisle, Illinois 60532 U.S.A.
1-800-78MOLEX
amerinfo@molex.com

Far East North Headquarters
Yamato, Kanagawa, Japan
81-462-65-2324
feninfo@molex.com

Far East South Headquarters
Jurong, Singapore
65-6-268-6868
fesinfo@molex.com

European Headquarters
Munich, Germany
49-89-413092-0
eurinfo@molex.com

Corporate Headquarters
2222 Wellington Ct.
Lisle, IL 60532 U.S.A.
630-969-4550
Fax: 630-969-1352

Visit our Web site at <http://www.molex.com>



Компания «ЭлектроПласт» предлагает заключение долгосрочных отношений при поставках импортных электронных компонентов на взаимовыгодных условиях!

Наши преимущества:

- Оперативные поставки широкого спектра электронных компонентов отечественного и импортного производства напрямую от производителей и с крупнейших мировых складов;
- Поставка более 17-ти миллионов наименований электронных компонентов;
- Поставка сложных, дефицитных, либо снятых с производства позиций;
- Оперативные сроки поставки под заказ (от 5 рабочих дней);
- Экспресс доставка в любую точку России;
- Техническая поддержка проекта, помощь в подборе аналогов, поставка прототипов;
- Система менеджмента качества сертифицирована по Международному стандарту ISO 9001;
- Лицензия ФСБ на осуществление работ с использованием сведений, составляющих государственную тайну;
- Поставка специализированных компонентов (Xilinx, Altera, Analog Devices, Intersil, Interpoint, Microsemi, Aeroflex, Peregrine, Syfer, Eurofarad, Texas Instrument, Miteq, Cobham, E2V, MA-COM, Hittite, Mini-Circuits, General Dynamics и др.);

Помимо этого, одним из направлений компании «ЭлектроПласт» является направление «Источники питания». Мы предлагаем Вам помощь Конструкторского отдела:

- Подбор оптимального решения, техническое обоснование при выборе компонента;
- Подбор аналогов;
- Консультации по применению компонента;
- Поставка образцов и прототипов;
- Техническая поддержка проекта;
- Защита от снятия компонента с производства.



Как с нами связаться

Телефон: 8 (812) 309 58 32 (многоканальный)

Факс: 8 (812) 320-02-42

Электронная почта: org@eplast1.ru

Адрес: 198099, г. Санкт-Петербург, ул. Калинина, дом 2, корпус 4, литера А.