



Low-Power, Dual, 12-Bit Voltage-Output DACs with Configurable Outputs

MAX5156/MAX5157

General Description

The MAX5156/MAX5157 low-power, serial, voltage-output, dual 12-bit digital-to-analog converters (DACs) consume only 500µA from a single +5V (MAX5156) or +3V (MAX5157) supply. These devices feature Rail-to-Rail® output swing and are available in space-saving 16-pin QSOP and DIP packages. Access to the inverting input allows for specific gain configurations, remote sensing, and high output current capability, making these devices ideally suited for industrial process controls. These devices are also well suited for digitally programmable (4–20mA) current loops.

The 3-wire serial interface is SPI™/QSPI™ and Microwire™ compatible. Each DAC has a double-buffered input organized as an input register followed by a DAC register, which allows the input and DAC registers to be updated independently or simultaneously. Additional features include a programmable shutdown (2µA), hardware-shutdown lockout, a separate voltage reference for each DAC, power-on reset, and an active-low clear input (CL) that resets all registers and DACs to zero. The MAX5156/MAX5157 provide a programmable logic output pin for added functionality, and a serial-data output pin for daisy chaining.

Applications

- Industrial Process Control Motion Control
- Digital Offset and Gain Digitally Programmable
- Adjustment 4–20mA Current Loops
- Remote Industrial Controls Automatic Test Equipment

Features

- ◆ **12-Bit Dual DAC with Configurable Output Amplifier**
- ◆ **Single-Supply Operation: +5V (MAX5156) +3V (MAX5157)**
- ◆ **Rail-to-Rail Output Swing**
- ◆ **Low Quiescent Current: 500µA (normal operation) 2µA (shutdown mode)**
- ◆ **Power-On Reset Clears DAC Outputs to Zero**
- ◆ **SPI/QSPI and Microwire Compatible**
- ◆ **Space-Saving 16-Pin QSOP Package**

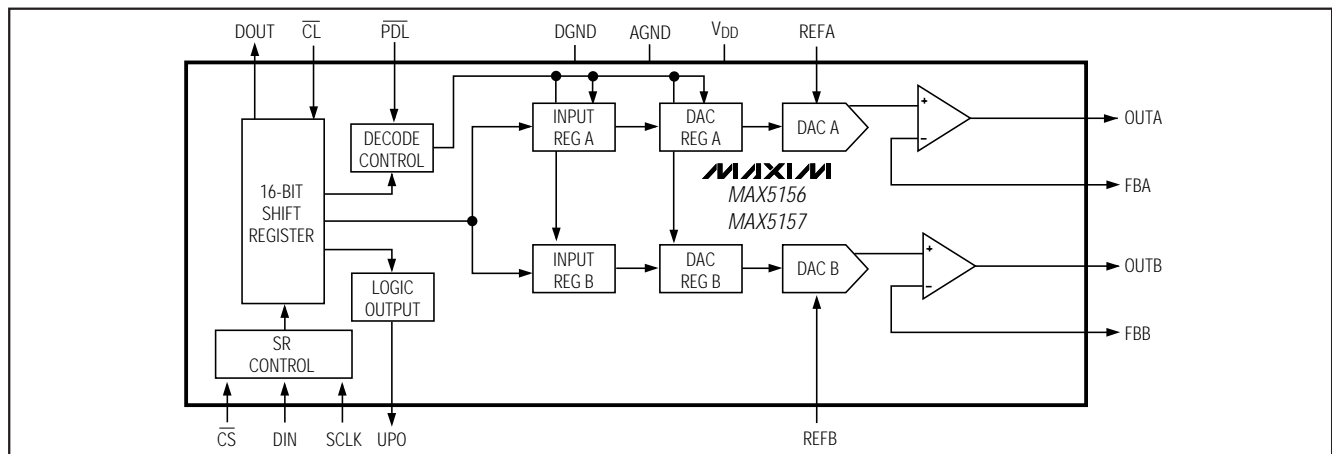
Ordering Information

| PART | TEMP. RANGE | PIN-PACKAGE | INL (LSB) |
|-------------|--------------|----------------|-----------|
| MAX5156ACPE | 0°C to +70°C | 16 Plastic DIP | ±1/2 |
| MAX5156BCPE | 0°C to +70°C | 16 Plastic DIP | ±1 |
| MAX5156ACEE | 0°C to +70°C | 16 QSOP | ±1/2 |
| MAX5156BCEE | 0°C to +70°C | 16 QSOP | ±1 |

Ordering Information continued at end of data sheet.

Pin Configuration appears at end of data sheet.

Functional Diagram



Rail-to-Rail is a registered trademark of Nippon Motorola Ltd. SPI and QSPI are trademarks of Motorola, Inc. Microwire is a trademark of National Semiconductor Corp.



For free samples & the latest literature: <http://www.maxim-ic.com>, or phone 1-800-998-8800. For small orders, phone 408-737-7600 ext. 3468.

Low-Power, Dual, 12-Bit Voltage-Output DACs with Configurable Outputs

ABSOLUTE MAXIMUM RATINGS

| | | | |
|---|-----------------------------------|---|-----------------|
| V _{DD} to AGND..... | -0.3V to +6V | Continuous Power Dissipation (T _A = +70°C) | |
| V _{DD} to DGND..... | -0.3V to +6V | Plastic DIP (derate 10.5mW/°C above +70°C)..... | 593mW |
| AGND to DGND..... | ±0.3V | QSOP (derate 8.30mW/°C above +70°C)..... | 667mW |
| FBA, FBB to AGND..... | -0.3V to (V _{DD} + 0.3V) | CERDIP (derate 10.00mW/°C above +70°C)..... | 800mW |
| REF ₋ , OUT ₋ to AGND..... | -0.3V to (V _{DD} + 0.3V) | Operating Temperature Ranges | |
| Digital Inputs (SCLK, DIN, CS, CL, PDL) to DGND..... | -0.3V to +6V | MAX5152_C_E/MAX5153_C_E..... | 0°C to +70°C |
| Digital Outputs (DO _{UT} , UPO) to DGND..... | -0.3V to (V _{DD} + 0.3V) | MAX5152_E_E/MAX5153_E_E..... | -40°C to +85°C |
| Maximum Current into Any Pin..... | ±20mA | MAX5152_MJE/MAX5153_MJE..... | -55°C to +125°C |
| | | Storage Temperature Range..... | -65°C to +160°C |
| | | Lead Temperature (soldering, 10sec)..... | +300°C |

Stresses beyond those listed under "Absolute Maximum Ratings" may cause permanent damage to the device. These are stress ratings only, and functional operation of the device at these or any other conditions beyond those indicated in the operational sections of the specifications is not implied. Exposure to absolute maximum rating conditions for extended periods may affect device reliability.

ELECTRICAL CHARACTERISTICS—MAX5156

(V_{DD} = +5V ±10%, V_{REFA} = V_{REFB} = 2.5V, R_L = 10kΩ, C_L = 100pF, T_A = T_{MIN} to T_{MAX}, unless otherwise noted. Typical values are at T_A = +25°C, output buffer connected in unity-gain configuration (Figure 9).)

| PARAMETER | SYMBOL | CONDITIONS | MIN | TYP | MAX | UNITS |
|--|-------------------|--|----------|-------|-----------------------|--------|
| STATIC PERFORMANCE | | | | | | |
| Resolution | N | | 12 | | | Bits |
| Integral Nonlinearity | INL | (Note 1) | MAX5156A | | ±1/2 | LSB |
| | | | MAX5156B | | ±1 | |
| Differential Nonlinearity | DNL | Guaranteed monotonic | | | ±1 | LSB |
| Offset Error | V _{OS} | Code = 10 | | | ±6 | mV |
| Offset Tempco | TCV _{OS} | Normalized to 2.5V | | 3 | | ppm/°C |
| Gain Error | | | | -0.5 | ±3 | LSB |
| Gain-Error Tempco | | Normalized to 2.5V | | 3 | | ppm/°C |
| V _{DD} Power-Supply Rejection Ratio | PSRR | 4.5V ≤ V _{DD} ≤ 5.5V | | 20 | 200 | μV/V |
| REFERENCE INPUT | | | | | | |
| Reference Input Range | REF | | 0 | | V _{DD} - 1.4 | V |
| Reference Input Resistance | R _{REF} | Minimum with code 1554 hex | 14 | 20 | | kΩ |
| MULTIPLYING-MODE PERFORMANCE | | | | | | |
| Reference 3dB Bandwidth | | Input code = 1FFE hex, V _{REF} = 0.67V _{p-p} at 2.5V _{DC} | | 600 | | kHz |
| Reference Feedthrough | | Input code = 0000 hex, V _{REF} = (V _{DD} - 1.4V _{p-p}) at 1kHz | | -85 | | dB |
| Signal-to-Noise plus Distortion Ratio | SINAD | Input code = 1FFE hex, V _{REF} = 1V _{p-p} at 2.5V _{DC} , f = 25kHz | | 82 | | dB |
| DIGITAL INPUTS | | | | | | |
| Input High Voltage | V _{IH} | \overline{CL} , \overline{PDL} , \overline{CS} , DIN, SCLK | 3 | | | V |
| Input Low Voltage | V _{IL} | \overline{CL} , \overline{PDL} , \overline{CS} , DIN, SCLK | | | 0.8 | V |
| Input Hysteresis | V _{HYS} | | | 200 | | mV |
| Input Leakage Current | I _{IN} | V _{IN} = 0V to V _{DD} | | 0.001 | ±1 | μA |
| Input Capacitance | C _{IN} | | | 8 | | pF |

Low-Power, Dual, 12-Bit Voltage-Output DACs with Configurable Outputs

MAX5156/MAX5157

ELECTRICAL CHARACTERISTICS—MAX5156 (continued)

($V_{DD} = +5V \pm 10\%$, $V_{REFA} = V_{REFB} = 2.5V$, $R_L = 10k\Omega$, $C_L = 100pF$, $T_A = T_{MIN}$ to T_{MAX} , unless otherwise noted. Typical values are at $T_A = +25^\circ C$, output buffer connected in unity-gain configuration (Figure 9).)

| PARAMETER | SYMBOL | CONDITIONS | MIN | TYP | MAX | UNITS |
|--|----------------|--|----------------|---------------|-----------|------------|
| DIGITAL OUTPUTS (DOUT, UPO) | | | | | | |
| Output High Voltage | V_{OH} | $I_{SOURCE} = 2mA$ | $V_{DD} - 0.5$ | | | V |
| Output Low Voltage | V_{OL} | $I_{SINK} = 2mA$ | | 0.13 | 0.40 | V |
| DYNAMIC PERFORMANCE | | | | | | |
| Voltage Output Slew Rate | SR | | | 0.75 | | V/ μs |
| Output Settling Time | | To 1/2LSB of full-scale, $V_{STEP} = 2.5V$ | | 15 | | μs |
| Output Voltage Swing | | Rail-to-rail (Note 2) | | 0 to V_{DD} | | V |
| Current into FBA or FBB | I_{FB} | | | 0 | ± 0.1 | μA |
| Time Required to Exit Shutdown | | | | 25 | | μs |
| Digital Feedthrough | | $\overline{CS} = V_{DD}$, $f_{DIN} = 100kHz$, $V_{SCLK} = 5Vp-p$ | | 5 | | nV-s |
| Digital Crosstalk | | | | 5 | | nV-s |
| POWER SUPPLIES | | | | | | |
| Positive Supply Voltage | V_{DD} | | 4.5 | | 5.5 | V |
| Power-Supply Current | I_{DD} | (Note 3) | | 0.5 | 0.65 | mA |
| Power-Supply Current in Shutdown | $I_{DD}(SHDN)$ | (Note 3) | | 2 | 10 | μA |
| Reference Current in Shutdown | | | | 0 | ± 1 | μA |
| TIMING CHARACTERISTICS | | | | | | |
| SCLK Clock Period | t_{CP} | (Note 4) | 100 | | | ns |
| SCLK Pulse Width High | t_{CH} | | 40 | | | ns |
| SCLK Pulse Width Low | t_{CL} | | 40 | | | ns |
| \overline{CS} Fall to SCLK Rise Setup Time | t_{CSS} | | 40 | | | ns |
| SCLK Rise to \overline{CS} Rise Hold Time | t_{CHS} | | 0 | | | ns |
| DIN Setup Time | t_{DS} | | 40 | | | ns |
| DIN Hold Time | t_{DH} | | 0 | | | ns |
| SCLK Rise to DOUT Valid Propagation Delay | t_{DO1} | $C_{LOAD} = 200pF$ | | | 80 | ns |
| SCLK Fall to DOUT Valid Propagation Delay | t_{DO2} | $C_{LOAD} = 200pF$ | | | 80 | ns |
| SCLK Rise to \overline{CS} Fall Delay | t_{CS0} | | 10 | | | ns |
| \overline{CS} Rise to SCLK Rise Hold | t_{CS1} | | 40 | | | ns |
| \overline{CS} Pulse Width High | t_{CSW} | | 100 | | | ns |

Note 1: Accuracy is specified from code 10 to code 4095.

Note 2: Accuracy is better than 1LSB for V_{OUT} greater than 6mV and less than $V_{DD} - 50mV$. Guaranteed by PSRR test at the end points.

Note 3: Digital inputs are set to either V_{DD} or DGND, code = 0000 hex, $R_L = \infty$.

Note 4: SCLK minimum clock period includes rise and fall times.

Low-Power, Dual, 12-Bit Voltage-Output DACs with Configurable Outputs

ELECTRICAL CHARACTERISTICS—MAX5157

($V_{DD} = +2.7V$ to $+3.6V$, $V_{REFA} = V_{REFB} = 1.25V$, $R_L = 10k\Omega$, $C_L = 100pF$, $T_A = T_{MIN}$ to T_{MAX} , unless otherwise noted. Typical values are at $T_A = +25^\circ C$, output buffer connected in unity-gain configuration (Figure 9).)

| PARAMETER | SYMBOL | CONDITIONS | MIN | TYP | MAX | UNITS |
|---|------------|---|----------------|----------------|-----------|-----------------|
| STATIC PERFORMANCE | | | | | | |
| Resolution | N | | 12 | | | Bits |
| Integral Nonlinearity | INL | (Note 5) | MAX5157A | | ± 1 | LSB |
| | | | MAX5157B | | ± 2 | |
| Differential Nonlinearity | DNL | Guaranteed monotonic | | | ± 1 | LSB |
| Offset Error | V_{OS} | Code = 20 | | | ± 6 | mV |
| Offset Tempco | TCV_{OS} | Normalized to 1.25V | 6 | | | ppm/ $^\circ C$ |
| Gain Error | | | -0.5 | | ± 4 | LSB |
| Gain-Error Tempco | | Normalized to 1.25V | 6 | | | ppm/ $^\circ C$ |
| V_{DD} Power-Supply Rejection Ratio | PSRR | $2.7V \leq V_{DD} \leq 3.6V$ | 20 | | 320 | $\mu V/V$ |
| REFERENCE INPUT (V_{REF}) | | | | | | |
| Reference Input Range | REF | | 0 | $V_{DD} - 1.4$ | | V |
| Reference Input Resistance | R_{REF} | Minimum with code 1554 hex | 14 | 20 | | $k\Omega$ |
| MULTIPLYING-MODE PERFORMANCE | | | | | | |
| Reference 3dB Bandwidth | | Input code = 1FFE hex, $V_{REF(AC)} = 0.67V_{p-p}$ at 1.25V _{DC} | 600 | | | kHz |
| Reference Feedthrough | | Input code = 0000 hex, $V_{REF} = (V_{DD} - 1.4V)$ at 1kHz | -92 | | | dB |
| Signal-to-Noise plus Distortion Ratio | SINAD | Input code = 1FFE hex, $V_{REF} = 1V_{p-p}$ at 1.25V _{DC} , $f = 15kHz$ | 73 | | | dB |
| DIGITAL INPUTS | | | | | | |
| Input High Voltage | V_{IH} | \overline{CL} , \overline{PDL} , \overline{CS} , DIN, SCLK | 2.2 | | | V |
| Input Low Voltage | V_{IL} | \overline{CL} , \overline{PDL} , \overline{CS} , DIN, SCLK | | | 0.8 | V |
| Input Hysteresis | V_{HYS} | | 200 | | | mV |
| Input Leakage Current | I_{IN} | $V_{IN} = 0V$ to V_{DD} | 0 | | ± 0.1 | μA |
| Input Capacitance | C_{IN} | | 8 | | | pF |
| DIGITAL OUTPUTS (DOUT, UPO) | | | | | | |
| Output High Voltage | V_{OH} | $I_{SOURCE} = 2mA$ | $V_{DD} - 0.5$ | | | V |
| Output Low Voltage | V_{OL} | $I_{SINK} = 2mA$ | 0.13 | | 0.4 | V |
| DYNAMIC PERFORMANCE | | | | | | |
| Voltage Output Slew Rate | SR | | 0.75 | | | V/ μs |
| Output Settling Time | | To 1/2LSB of full-scale, $V_{STEP} = 1.25V$ | 18 | | | μs |
| Output Voltage Swing | | Rail-to-rail (Note 6) | 0 to V_{DD} | | | V |
| Current into FBA or FBB | I_{FB} | | 0 | | ± 0.1 | μA |
| Time Required to Exit Shutdown | | | 25 | | | μs |
| Digital Feedthrough | | $\overline{CS} = V_{DD}$, $f_{DIN} = 100kHz$, $V_{SCLK} = 3V_{p-p}$ | 5 | | | nV-s |
| Digital Crosstalk | | | 5 | | | nV-s |

Low-Power, Dual, 12-Bit Voltage-Output DACs with Configurable Outputs

MAX5156/MAX5157

ELECTRICAL CHARACTERISTICS—MAX5157 (continued)

($V_{DD} = +2.7V$ to $+3.6V$, $V_{REFA} = V_{REFB} = 1.25V$, $R_L = 10k\Omega$, $C_L = 100pF$, $T_A = T_{MIN}$ to T_{MAX} , unless otherwise noted. Typical values are at $T_A = +25^\circ C$, output buffer connected in unity-gain configuration (Figure 9).)

| PARAMETER | SYMBOL | CONDITIONS | MIN | TYP | MAX | UNITS |
|--|----------------|--------------------|-----|-----|---------|---------|
| POWER SUPPLIES | | | | | | |
| Positive Supply Voltage | V_{DD} | | 2.7 | | 3.6 | V |
| Power-Supply Current | I_{DD} | (Note 7) | | 0.5 | 0.6 | mA |
| Power-Supply Current in Shutdown | $I_{DD}(SHDN)$ | (Note 7) | | 1 | 8 | μA |
| Reference Current in Shutdown | | | | | ± 1 | μA |
| TIMING CHARACTERISTICS | | | | | | |
| SCLK Clock Period | t_{CP} | (Note 4) | 100 | | | ns |
| SCLK Pulse Width High | t_{CH} | | 40 | | | ns |
| SCLK Pulse Width Low | t_{CL} | | 40 | | | ns |
| \overline{CS} Fall to SCLK Rise Setup Time | t_{CSS} | | 40 | | | ns |
| SCLK Rise to \overline{CS} Rise Hold Time | t_{CHS} | | 0 | | | ns |
| DIN Setup Time | t_{DS} | | 50 | | | ns |
| DIN Hold Time | t_{DH} | | 0 | | | ns |
| SCLK Rise to DOUT Valid Propagation Delay | t_{DO1} | $C_{LOAD} = 200pF$ | | | 120 | ns |
| SCLK Fall to DOUT Valid Propagation Delay | t_{DO2} | $C_{LOAD} = 200pF$ | | | 120 | ns |
| SCLK Rise to \overline{CS} Fall Delay | t_{CS0} | | 10 | | | ns |
| \overline{CS} Rise to SCLK Rise Hold | t_{CS1} | | 40 | | | ns |
| \overline{CS} Pulse Width High | t_{CSW} | | 100 | | | ns |

Note 5: Accuracy is specified from code 20 to code 4095.

Note 6: Accuracy is better than 1LSB for V_{OUT} greater than 6mV and less than $V_{DD} - 100mV$. Guaranteed by PSRR test at the end points.

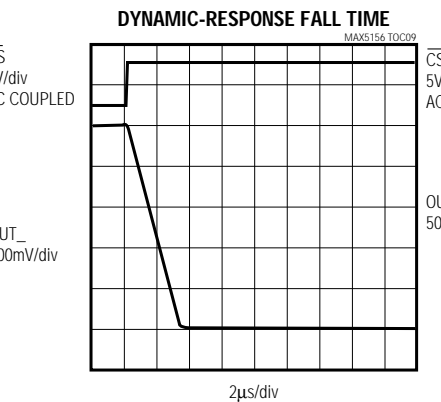
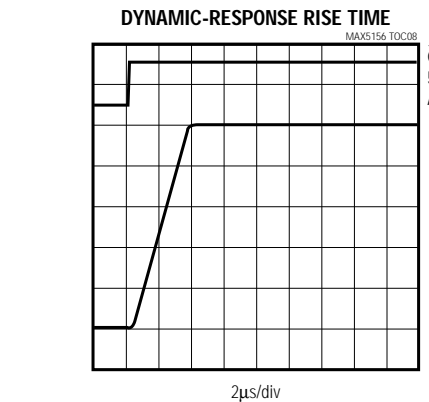
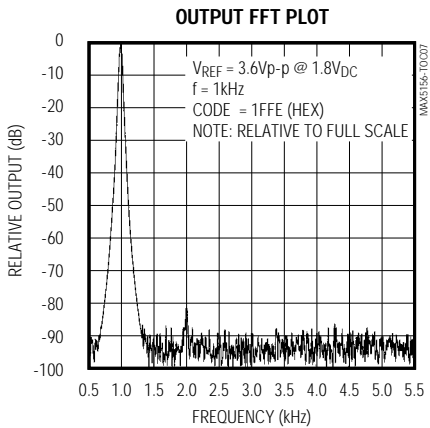
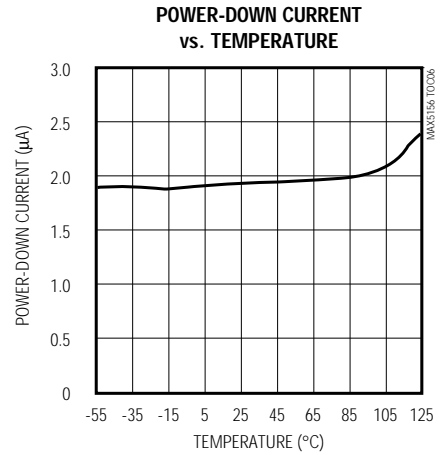
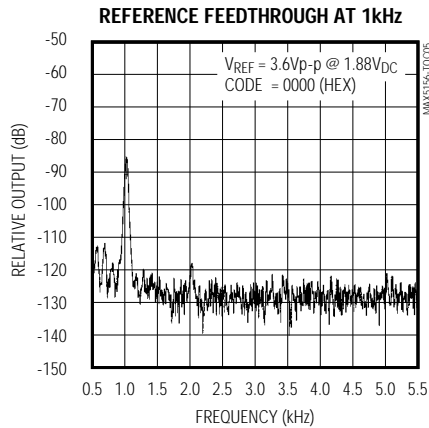
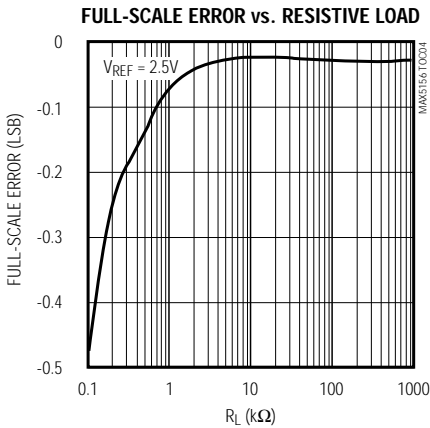
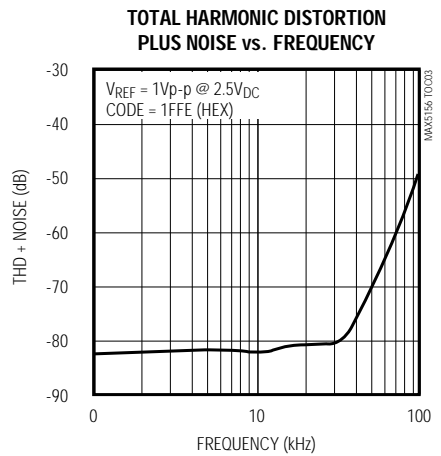
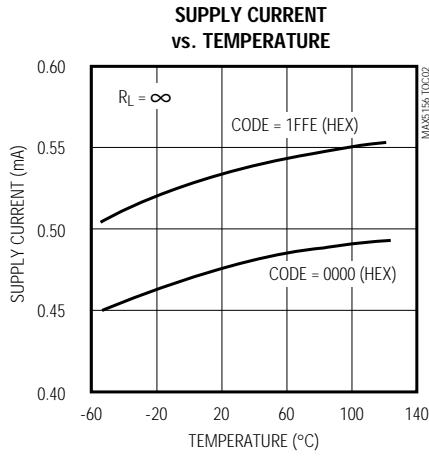
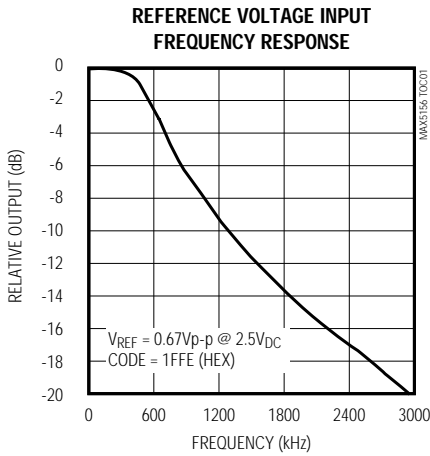
Note 7: Digital inputs are set to either V_{DD} or DGND, code = 0000 hex, $R_L = \infty$.

Low-Power, Dual, 12-Bit Voltage-Output DACs with Configurable Outputs

Typical Operating Characteristics

($V_{DD} = +5V$, $R_L = 10k\Omega$, $C_L = 100pF$, FB_+ connected to OUT_- , $T_A = +25^\circ C$, unless otherwise noted.)

MAX5156



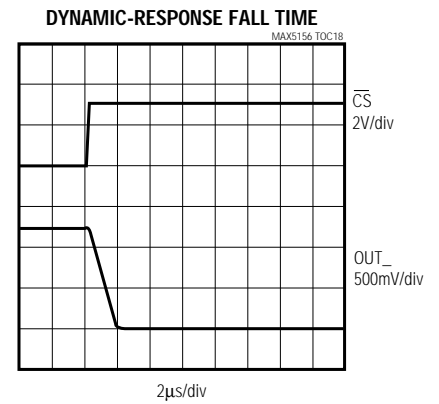
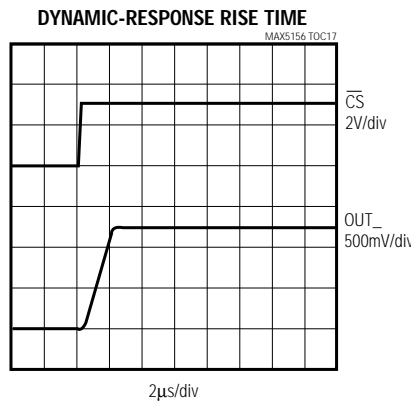
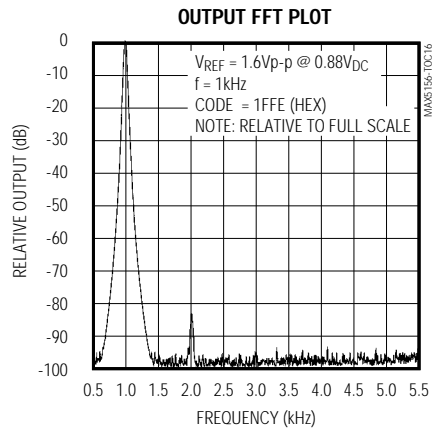
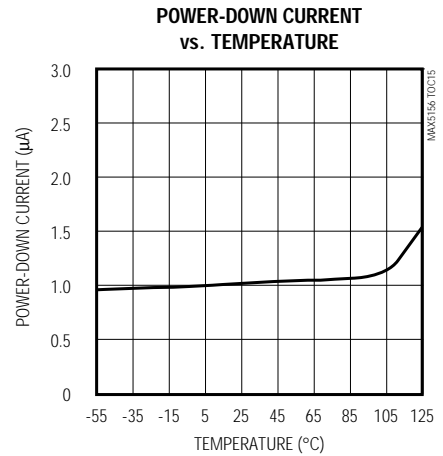
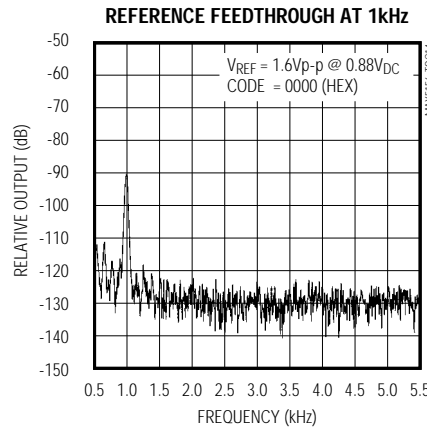
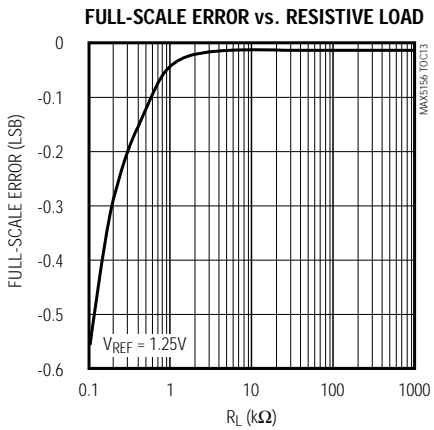
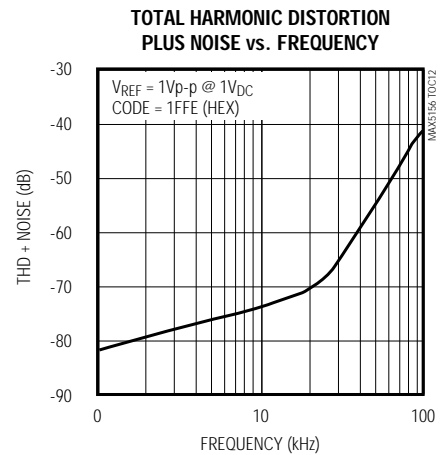
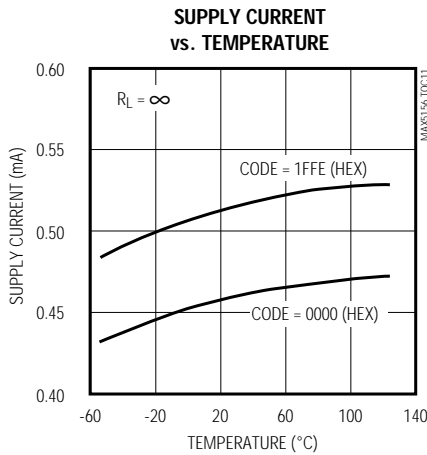
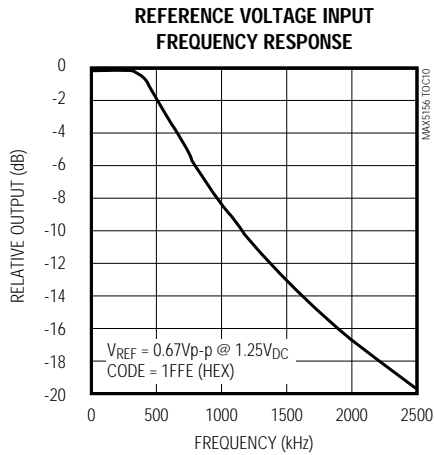
Low-Power, Dual, 12-Bit Voltage-Output DACs with Configurable Outputs

Typical Operating Characteristics (continued)

($V_{DD} = +3V$, $R_L = 10k\Omega$, $C_L = 100pF$, FB_+ connected to OUT_- , $T_A = +25^\circ C$, unless otherwise noted.)

MAX5156/MAX5157

MAX5157

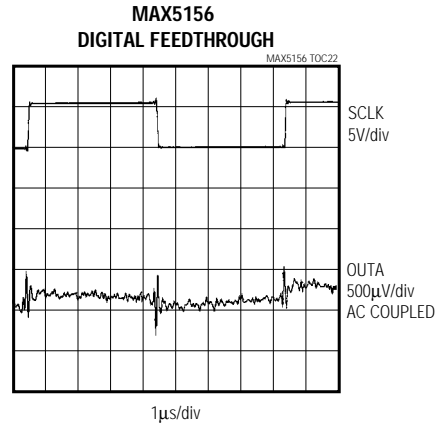
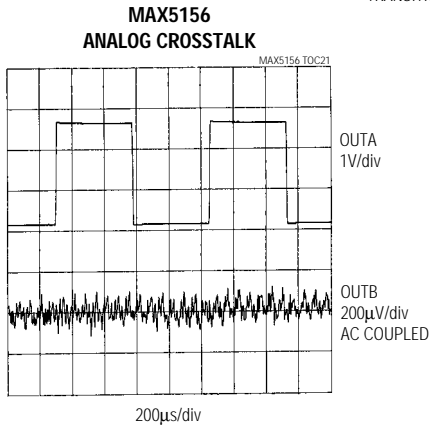
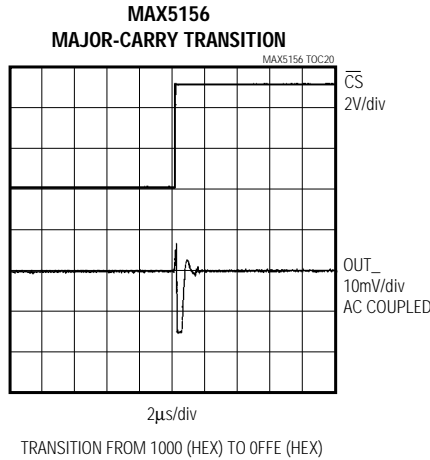
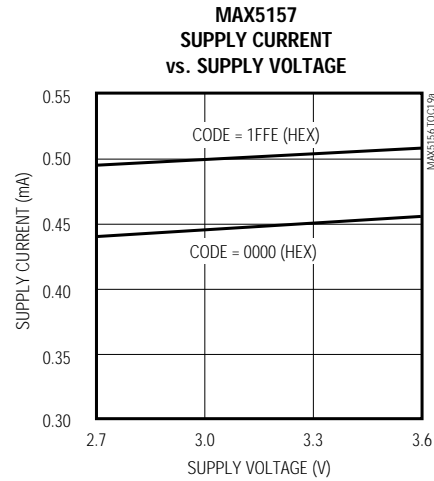
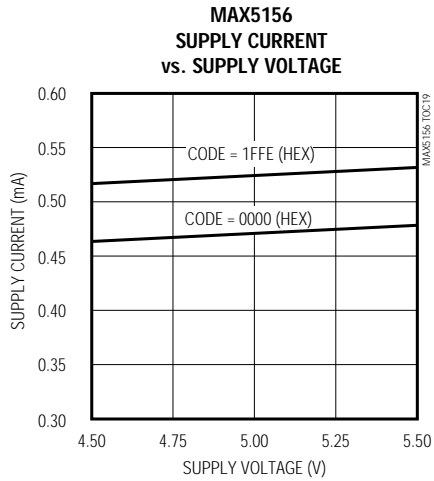


Low-Power, Dual, 12-Bit Voltage-Output DACs with Configurable Outputs

Typical Operating Characteristics (continued)

($V_{DD} = +5V$ (MAX5156), $V_{DD} = +3V$ (MAX5157), $R_L = 10k\Omega$, $C_L = 100pF$, FB_+ connected to OUT_- , $T_A = T_{MIN}$ to T_{MAX} , unless otherwise noted.)

MAX5156/MAX5157



Low-Power, Dual, 12-Bit Voltage-Output DACs with Configurable Outputs

Pin Description

MAX5156/MAX5157

| PIN | NAME | FUNCTION |
|-----|-------------------------|--|
| 1 | AGND | Analog Ground |
| 2 | OUTA | DAC A Output Voltage |
| 3 | FBA | DAC A Output Amplifier Feedback Input. Inverting input of the output amplifier. |
| 4 | REFA | Reference for DAC A |
| 5 | $\overline{\text{CL}}$ | Active-Low Clear Input. Resets all registers to zero. DAC outputs go to 0V. |
| 6 | $\overline{\text{CS}}$ | Chip-Select Input |
| 7 | DIN | Serial Data Input |
| 8 | SCLK | Serial Clock Input |
| 9 | DGND | Digital Ground |
| 10 | DOOUT | Serial Data Output |
| 11 | UPO | User-Programmable Output |
| 12 | $\overline{\text{PDL}}$ | Power-Down Lockout. The device cannot be powered down when $\overline{\text{PDL}}$ is low. |
| 13 | REFB | Reference Input for DAC B |
| 14 | FBB | DAC B Output Amplifier Feedback Input. Inverting input of the output amplifier. |
| 15 | OUTB | DAC B Output Voltage |
| 16 | VDD | Positive Power Supply |

Detailed Description

The MAX5156/MAX5157 dual, 12-bit, voltage-output DACs are easily configured with a 3-wire serial interface. These devices include a 16-bit data-in/data-out shift register, and each DAC has a double-buffered input comprised of an input register and a DAC register (see *Functional Diagram*). Both DACs use an inverted R-2R ladder network that produces a weighted voltage proportional to the input voltage value. Each DAC has its own reference input to facilitate independent full-scale values. Figure 1 depicts a simplified circuit diagram of one of the two DACs.

Reference Inputs

The reference inputs accept both AC and DC values with a voltage range extending from 0V to (VDD - 1.4V). Determine the output voltage using the following equation:

$$V_{\text{OUT}} = V_{\text{REF}} \times \text{NB} / 4096$$

where NB is the numeric value of the DAC's binary input code (0 to 4095) and VREF is the reference voltage.

The reference input impedance ranges from 14kΩ (1554 hex) to several giga ohms (with an input code of 0000 hex). This reference input capacitance is code dependent and typically ranges from 15pF with an input code of all zeros to 50pF with a full-scale input code.

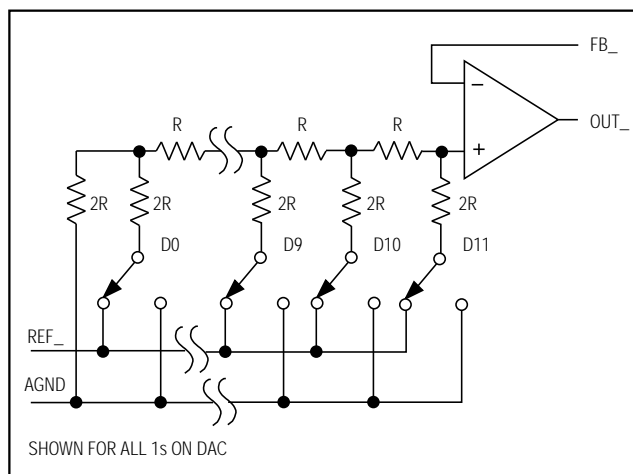


Figure 1. Simplified DAC Circuit Diagram

Output Amplifier

The output amplifier's inverting input is available to the user, allowing force and sense capability for remote sensing and specific gain configurations. The inverting input can be connected to the output to provide a unity-gain buffered output. The output amplifiers have a typical slew rate of 0.75V/μs and settle to 1/2LSB within 15μs, with a load of 10kΩ in parallel to 100pF. Loads less than 2kΩ degrade performance.

Low-Power, Dual, 12-Bit Voltage-Output DACs with Configurable Outputs

Table 1. Serial-Interface Programming Commands

| 16-BIT SERIAL WORD | | | | | FUNCTION |
|--------------------|----|----|--|----|--|
| A0 | C1 | C0 | D11.....D0 MSB LSB | S0 | |
| 0 | 0 | 1 | 12 bits of DAC data | 0 | Load input register A; DAC register is unchanged. |
| 1 | 0 | 1 | 12 bits of DAC data | 0 | Load input register B; DAC register is unchanged. |
| 0 | 1 | 0 | 12 bits of DAC data | 0 | Load input register A; all DAC registers are updated. |
| 1 | 1 | 0 | 12 bits of DAC data | 0 | Load input register B; all DAC registers are updated. |
| 0 | 1 | 1 | 12 bits of DAC data | 0 | Load all DAC registers from the shift register (start up both DACs with new data). |
| 1 | 0 | 0 | xxxxxxxxxxx | 0 | Update both DAC registers from their respective input registers (start up both DACs with data previously stored in the input registers). |
| 1 | 1 | 1 | xxxxxxxxxxx | 0 | Shut down both DACs if $\overline{\text{PDL}} = 1$. |
| 0 | 0 | 0 | 0 0 1 x xxxxxxxx | 0 | Update DAC register A from input register A (start up DAC A with data previously stored in input register A). |
| 0 | 0 | 0 | 1 0 1 x xxxxxxxx | 0 | Update DAC register B from input register B (start up DAC B with data previously stored in input register B). |
| 0 | 0 | 0 | 1 1 0 x xxxxxxxx | 0 | Shut down DAC A when $\overline{\text{PDL}} = 1$. |
| 0 | 0 | 0 | 1 1 1 x xxxxxxxx | 0 | Shut down DAC B when $\overline{\text{PDL}} = 1$. |
| 0 | 0 | 0 | 0 1 0 x xxxxxxxx | 0 | UPO goes low (default). |
| 0 | 0 | 0 | 0 1 1 x xxxxxxxx | 0 | UPO goes high. |
| 0 | 0 | 0 | 1 0 0 1 xxxxxxxx | 0 | Mode 1, DOUT clocked out on SCLK's rising edge. |
| 0 | 0 | 0 | 1 0 0 0 xxxxxxxx | 0 | Mode 0, DOUT clocked out on SCLK's falling edge (default). |
| 0 | 0 | 0 | 0 0 0 x xxxxxxxx | 0 | No operation (NOP). |

"x" = don't care

Note: D11, D10, D9, and D8 become control bits when A0, C1, and C0 = 0. S0 is a sub bit, always zero.

Power-Down Mode

The MAX5156/MAX5157 feature a software-programmable shutdown mode that reduces the typical supply current to 2 μ A. The two DACs can be shut down independently or simultaneously by using the appropriate programming word. For instance, enter shutdown mode (for both DACs) by writing an input control word of 111XXXXXXXXXXXX0 (Table 1). In shutdown mode, the reference inputs and amplifier outputs become high impedance, and the serial interface remains active. Data in the input registers is saved, allowing the MAX5156/MAX5157 to recall the output state prior to entering shutdown when returning to normal mode. Exit shutdown by recalling the previous condition or by

updating the DAC with new information. When returning to normal operation (exiting shutdown), wait 20 μ s for output stabilization.

Serial Interface

The MAX5156/MAX5157 3-wire serial interface is compatible with both Microwire (Figure 2) and SPI/QSPI (Figure 3) serial-interface standards. The 16-bit serial input word consists of an address bit, two control bits, 12 bits of data (MSB to LSB), and one sub bit as shown in Figure 4. The address and control bits determine the response of the MAX5156/MAX5157, as outlined in Table 1.

Low-Power, Dual, 12-Bit Voltage-Output DACs with Configurable Outputs

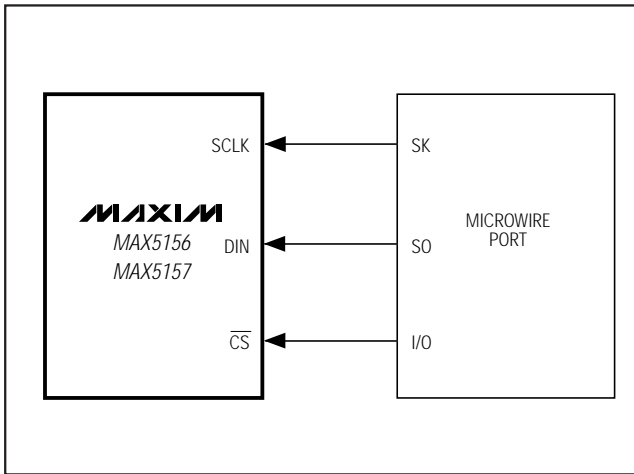


Figure 2. Connections for Microwire

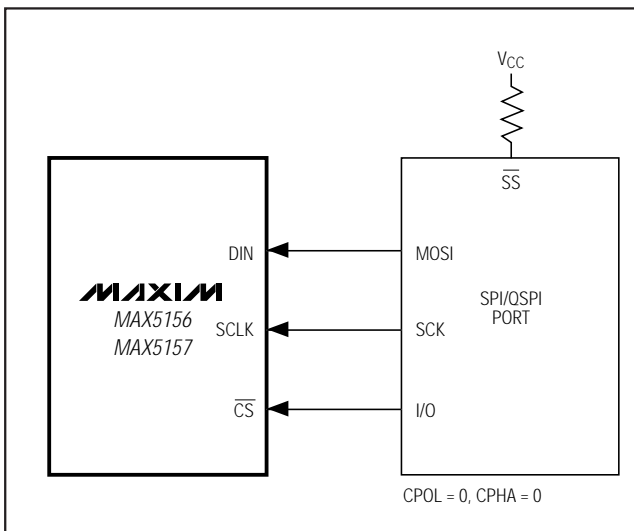


Figure 3. Connections for SPI/QSPI

| | | | |
|------------------------------|--------------|----------------------|---------|
| MSB.....LSB | | | |
| ← 16 Bits of Serial Data → | | | |
| Address Bits | Control Bits | MSB...DataBits...LSB | Sub Bit |
| A0 | C1, C0 | D11.....D0 | S0 |
| ← 1 Address/2 Control Bits → | | ← 12 Data Bits → | 0 |

Figure 4. Serial-Data Format

The MAX5156/MAX5157's digital inputs are double buffered, which allows any of the following: loading the input register(s) without updating the DAC register(s), updating the DAC register(s) from the input register(s), or updating the input and DAC registers concurrently. The address and control bits allow the DACs to act independently.

Send the 16-bit data as one 16-bit word (QSPI) or two 8-bit packets (SPI, Microwire), with \overline{CS} low during this period. The address and control bits determine which register will be updated, and the state of the registers when exiting shutdown. The 3-bit address/control determines the following:

- registers to be updated
- clock edge on which data is clocked out via the serial data output (DOUT)
- state of the user-programmable logic output
- configuration of the device after shutdown

The general timing diagram in Figure 5 illustrates how data is acquired. Driving \overline{CS} low enables the device to receive data. Otherwise, the interface control circuitry is disabled. With \overline{CS} low, data at DIN is clocked into the register on the rising edge of SCLK. As \overline{CS} goes high, data is latched into the input and/or DAC registers depending on the address and control bits. The maximum clock frequency guaranteed for proper operation is 10MHz. Figure 6 depicts a more detailed timing diagram of the serial interface.

Serial Data Output (DOUT)

DOUT is the internal shift register's output. It allows for daisy-chaining and data readback. The MAX5156/MAX5157 can be programmed to shift data out of DOUT on SCLK's falling edge (Mode 0) or rising edge (Mode 1). Mode 0 provides a lag of 16 clock cycles, which maintains compatibility with SPI/QSPI and Microwire interfaces. In Mode 1, the output data lags 15.5 clock cycles. On power-up, the device defaults to Mode 0.

User-Programmable Logic Output (UPO)

UPO allows an external device to be controlled through the MAX5156/MAX5157 serial interface (Table 1), thereby reducing the number of microcontroller I/O pins required. On power-up, UPO is low.

Power-Down Lockout Input (PDL)

PDL disables software shutdown when low. When in shutdown, transitioning PDL from high to low wakes up the part with the output set to the state prior to shutdown. PDL can also be used to asynchronously wake up the device.

Low-Power, Dual, 12-Bit Voltage-Output DACs with Configurable Outputs

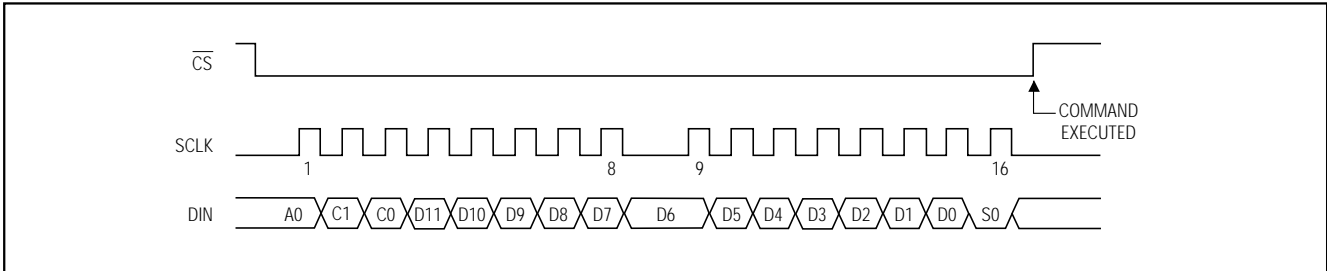


Figure 5. Serial-Interface Timing Diagram

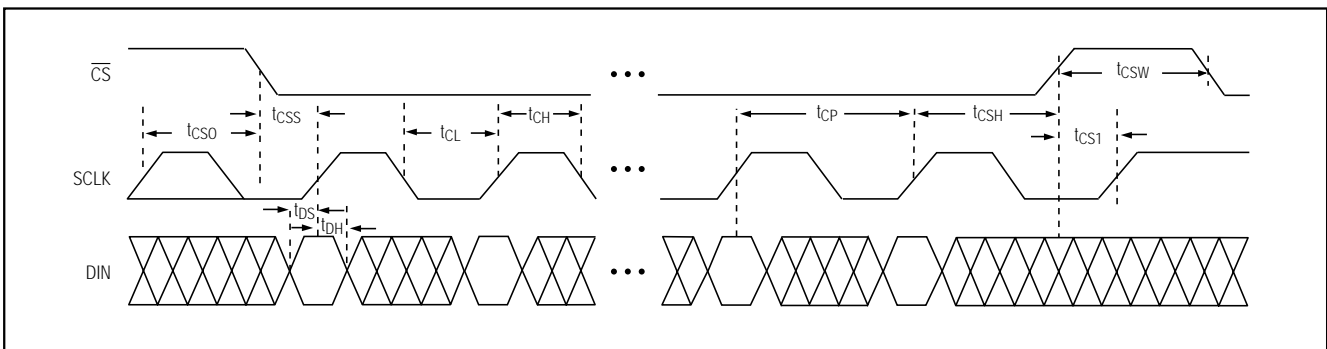


Figure 6. Detailed Serial-Interface Timing Diagram

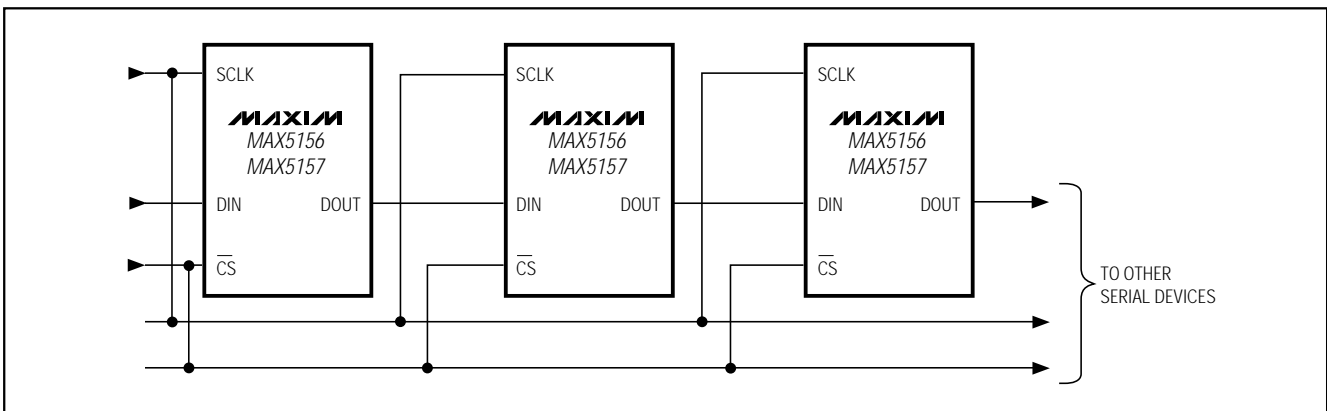


Figure 7. Daisy Chaining MAX5156/MAX5157s

Daisy Chaining Devices

Any number of MAX5156/MAX5157s can be daisy chained by connecting the DOUT pin of one device to the DIN pin of the following device in the chain (Figure 7).

Since the MAX5156/MAX5157's DOUT has an internal active pull-up, the DOUT sink/source capability determines the time required to discharge/charge a capaci-

tive load. Refer to the digital output V_{OH} and V_{OL} specifications in the *Electrical Characteristics*.

Figure 8 shows an alternative method of connecting several MAX5156/MAX5157s. In this configuration, the data bus is common to all devices; data is not shifted through a daisy-chain. More I/O lines are required in this configuration because a dedicated chip-select input (\overline{CS}) is required for each IC.

Low-Power, Dual, 12-Bit Voltage-Output DACs with Configurable Outputs

MAX5156/MAX5157

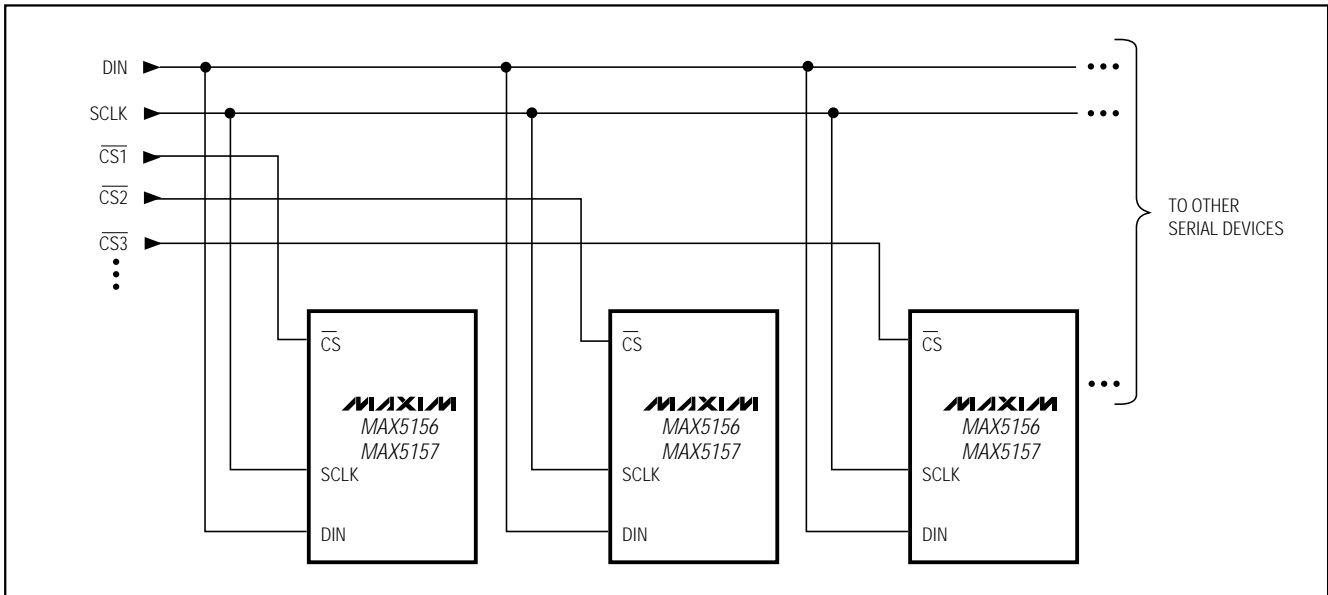


Figure 8. Multiple MAX5156/MAX5157s Sharing a Common DIN Line

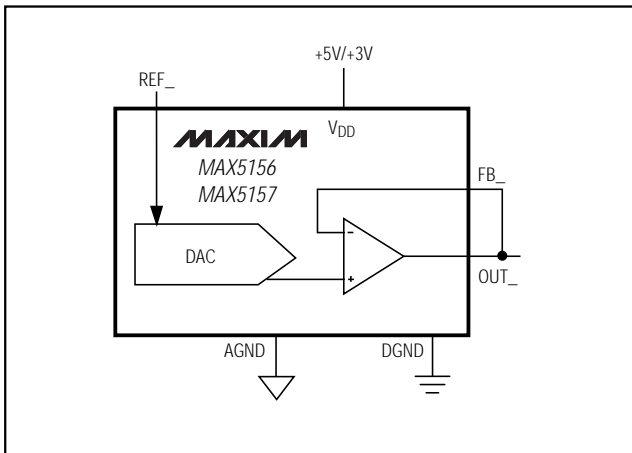


Figure 9. Unipolar Output Circuit

Table 2. Unipolar Code Table (Gain = +1)

| DAC CONTENTS MSB | LSB | ANALOG OUTPUT |
|---------------------|--------------|---|
| 1111 | 1111 1111(0) | $+V_{REF} \left(\frac{4095}{4096} \right)$ |
| 1000 | 0000 0001(0) | $+V_{REF} \left(\frac{2049}{4096} \right)$ |
| 1000 | 0000 0000(0) | $+V_{REF} \left(\frac{2048}{4096} \right) = \frac{V_{REF}}{2}$ |
| 0111 | 1111 1111(0) | $+V_{REF} \left(\frac{2047}{4096} \right)$ |
| 0000 | 0000 0001(0) | $+V_{REF} \left(\frac{1}{4096} \right)$ |
| 0000 | 0000 0000(0) | 0V |

Note: () are for the sub bit.

Applications Information

Unipolar Output

Figure 9 depicts the MAX5156/MAX5157 configured for unity-gain, unipolar operation. Table 2 lists the unipolar output codes. To increase dynamic range, specific gain configurations can be used as shown in Figure 10.

Bipolar Output

The MAX5156/MAX5157 can be configured for a bipolar output, as shown in Figure 11. The output voltage is given by the equation:

$$V_{OUT} = V_{REF} \left[\left(\frac{2 \times NB}{4096} \right) - 1 \right]$$

where NB represents the numeric value of the DAC's binary input code. Table 3 shows digital codes and the corresponding output voltage for Figure 11's circuit.

Low-Power, Dual, 12-Bit Voltage-Output DACs with Configurable Outputs

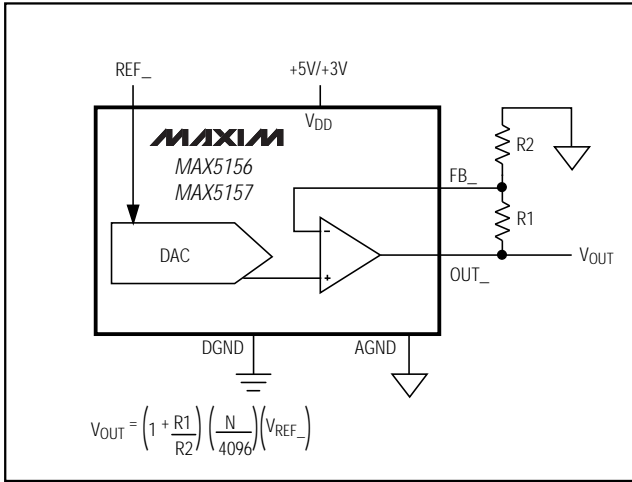


Figure 10. Configurable Output Gain

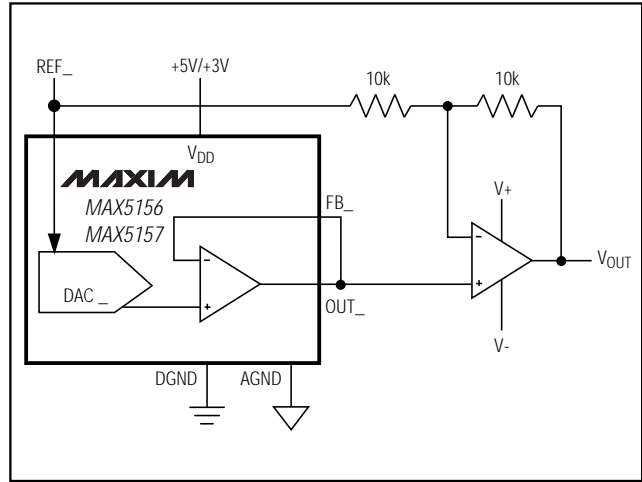


Figure 11. Bipolar Output Circuit

Table 3. Bipolar Code Table

| DAC CONTENTS | | | ANALOG OUTPUT |
|--------------|------|---------|--|
| MSB | LSB | | |
| 1111 | 1111 | 1111(0) | $+V_{REF} \left(\frac{2047}{2048}\right)$ |
| 1000 | 0000 | 0001(0) | $+V_{REF} \left(\frac{1}{2048}\right)$ |
| 1000 | 0000 | 0000(0) | 0V |
| 0111 | 1111 | 1111(0) | $-V_{REF} \left(\frac{1}{2048}\right)$ |
| 0000 | 0000 | 0001(0) | $-V_{REF} \left(\frac{2047}{2048}\right)$ |
| 0000 | 0000 | 0000(0) | $-V_{REF} \left(\frac{2048}{2098}\right) = -V_{REF}$ |

Note: () are for the sub bit.

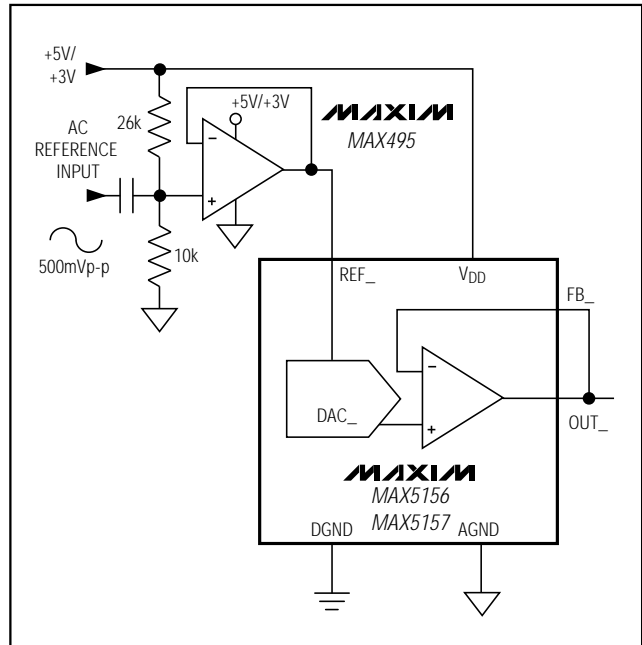


Figure 12. AC Reference Input Circuit

Using an AC Reference

In applications where the reference has an AC signal component, the MAX5156/MAX5157 have multiplying capabilities within the reference input voltage range specifications. Figure 12 shows a technique for applying a sinusoidal input REF_, where the AC signal is offset before being applied to the reference input.

Harmonic Distortion and Noise

The total harmonic distortion plus noise (THD+N) is typically less than -80dB at full scale with a 1Vp-p input swing at 5kHz. The typical -3dB frequency is 600kHz for both devices, as shown in the *Typical Operating Characteristics*.

Low-Power, Dual, 12-Bit Voltage-Output DACs with Configurable Outputs

Digital Calibration and Threshold Selection

Figure 13 shows the MAX5156/MAX5157 in a digital calibration application. With a bright value applied to the photodiode (on), the DAC is digitally ramped up until it trips the comparator. The microprocessor stores this high calibration value. Repeat the process with a dim light (off) to obtain the dark current calibration. The microprocessor then programs the DAC to set an output voltage that is the midpoint of the two calibration values. Applications include tachometers, motion sensing, automatic readers, and liquid clarity analysis.

Digital Control of Gain and Offset

The two DACs can be used to control the offset and gain for curve-fitting nonlinear functions, such as transducer linearization or analog compression/expansion applications. The input signal is used as the reference for the gain-adjust DAC, whose output is summed with the output from the offset-adjust DAC. The relative weight of each DAC output is adjusted by R1, R2, R3, and R4 (Figure 14).

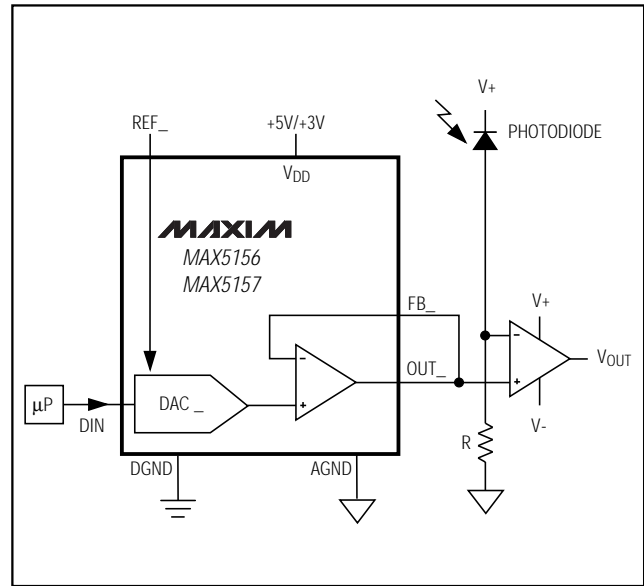


Figure 13. Digital Calibration

MAX5156/MAX5157

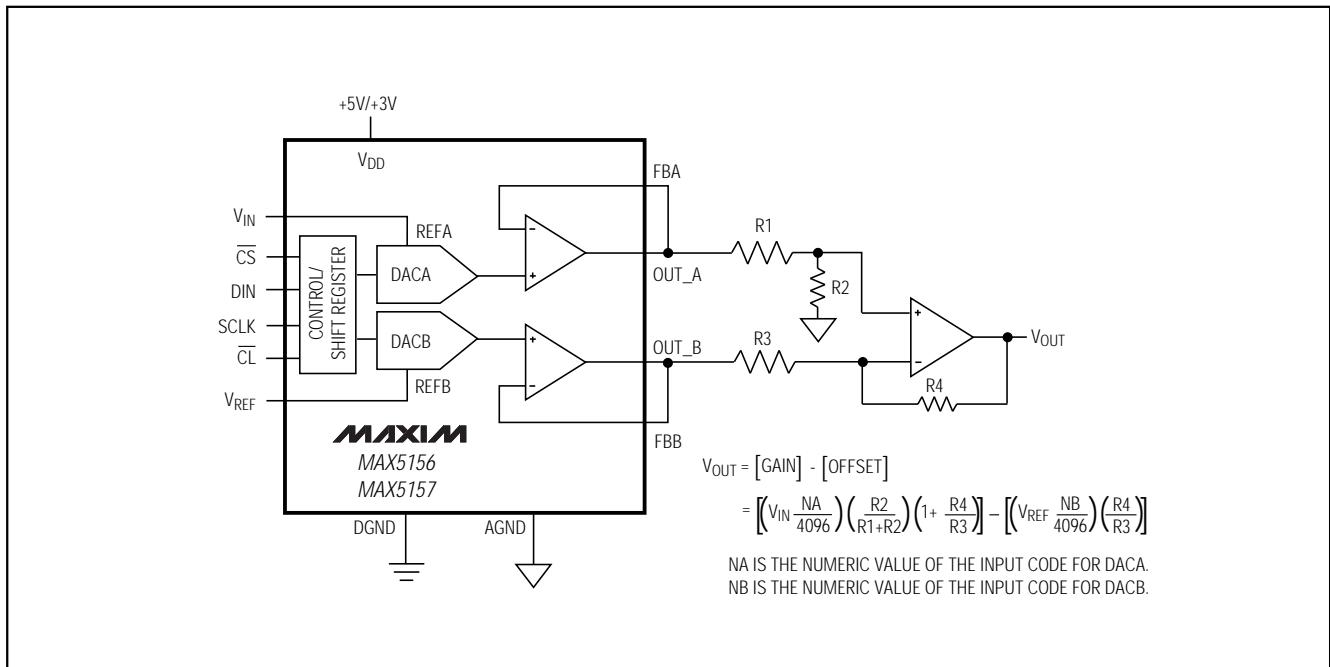


Figure 14. Digital Control of Gain and Offset

Low-Power, Dual, 12-Bit Voltage-Output DACs with Configurable Outputs

Digitally Programmable Current Source

Figure 15 depicts a digitally programmable, unidirectional current source that can be used in industrial control applications. The output current is:

$$I_{OUT} = (V_{REF} / R) (NB / 4096)$$

where NB is the DAC code and R is the sense resistor.

Power-Supply Considerations

On power-up, the input and DAC registers clear (resets to zero code). For rated performance, $V_{REF_}$ should be at least 1.4V below V_{DD} . Bypass the power supply with a 4.7 μ F capacitor in parallel with a 0.1 μ F capacitor to GND. Minimize lead lengths to reduce lead inductance.

Grounding and Layout Considerations

Digital and AC transient signals on AGND can create noise at the output. Connect AGND to the highest quality ground available. Use proper grounding techniques, such as a multilayer board with a low-inductance ground plane. Carefully lay out the traces between channels to reduce AC cross-coupling and crosstalk. Wire-wrapped boards and sockets are not recommended. If noise becomes an issue, shielding may be required.

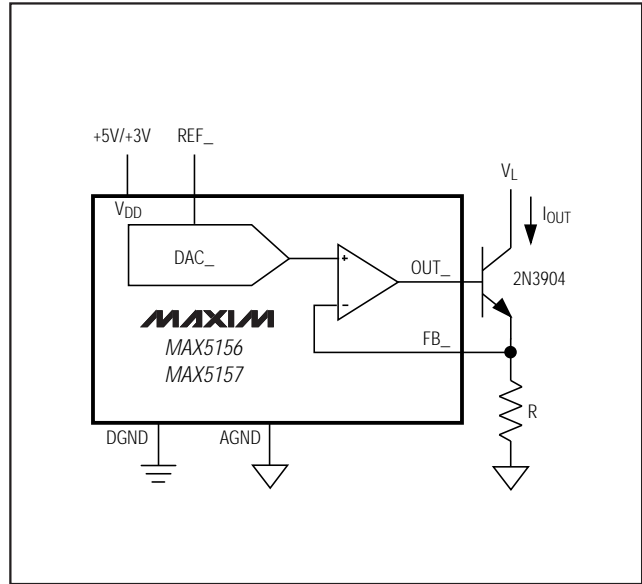
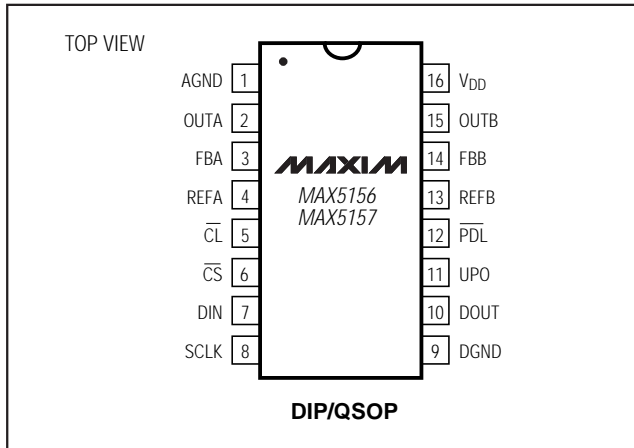


Figure 15. Digitally Programmable Current Source

Pin Configuration



Chip Information

TRANSISTOR COUNT: 3053

SUBSTRATE CONNECTED TO AGND

Ordering Information (continued)

| PART | TEMP. RANGE | PIN-PACKAGE | INL (LSB) |
|---------------------|-----------------|----------------|-----------|
| MAX5156AEPE | -40°C to +85°C | 16 Plastic DIP | ±1/2 |
| MAX5156BEPE | -40°C to +85°C | 16 Plastic DIP | ±1 |
| MAX5156AEEE | -40°C to +85°C | 16 QSOP | ±1/2 |
| MAX5156BEEE | -40°C to +85°C | 16 QSOP | ±1 |
| MAX5156BMJE | -55°C to +125°C | 16 CERDIP* | ±1 |
| MAX5157 ACPE | 0°C to +70°C | 16 Plastic DIP | ±1 |
| MAX5157BCPE | 0°C to +70°C | 16 Plastic DIP | ±2 |
| MAX5157ACEE | 0°C to +70°C | 16 QSOP | ±1 |
| MAX5157BCEE | 0°C to +70°C | 16 QSOP | ±2 |
| MAX5157AEPE | -40°C to +85°C | 16 Plastic DIP | ±1 |
| MAX5157BEPE | -40°C to +85°C | 16 Plastic DIP | ±2 |
| MAX5157AEEE | -40°C to +85°C | 16 QSOP | ±1 |
| MAX5157BEEE | -40°C to +85°C | 16 QSOP | ±2 |
| MAX5157BMJE | -55°C to +125°C | 16 CERDIP* | ±2 |

*Contact factory for availability.

Maxim cannot assume responsibility for use of any circuitry other than circuitry entirely embodied in a Maxim product. No circuit patent licenses are implied. Maxim reserves the right to change the circuitry and specifications without notice at any time.

16 Maxim Integrated Products, 120 San Gabriel Drive, Sunnyvale, CA 94086 408-737-7600



Компания «ЭлектроПласт» предлагает заключение долгосрочных отношений при поставках импортных электронных компонентов на взаимовыгодных условиях!

Наши преимущества:

- Оперативные поставки широкого спектра электронных компонентов отечественного и импортного производства напрямую от производителей и с крупнейших мировых складов;
- Поставка более 17-ти миллионов наименований электронных компонентов;
- Поставка сложных, дефицитных, либо снятых с производства позиций;
- Оперативные сроки поставки под заказ (от 5 рабочих дней);
- Экспресс доставка в любую точку России;
- Техническая поддержка проекта, помощь в подборе аналогов, поставка прототипов;
- Система менеджмента качества сертифицирована по Международному стандарту ISO 9001;
- Лицензия ФСБ на осуществление работ с использованием сведений, составляющих государственную тайну;
- Поставка специализированных компонентов (Xilinx, Altera, Analog Devices, Intersil, Interpoint, Microsemi, Aeroflex, Peregrine, Syfer, Eurofarad, Texas Instrument, Miteq, Cobham, E2V, MA-COM, Hittite, Mini-Circuits, General Dynamics и др.);

Помимо этого, одним из направлений компании «ЭлектроПласт» является направление «Источники питания». Мы предлагаем Вам помощь Конструкторского отдела:

- Подбор оптимального решения, техническое обоснование при выборе компонента;
- Подбор аналогов;
- Консультации по применению компонента;
- Поставка образцов и прототипов;
- Техническая поддержка проекта;
- Защита от снятия компонента с производства.



Как с нами связаться

Телефон: 8 (812) 309 58 32 (многоканальный)

Факс: 8 (812) 320-02-42

Электронная почта: org@eplast1.ru

Адрес: 198099, г. Санкт-Петербург, ул. Калинина, дом 2, корпус 4, литера А.