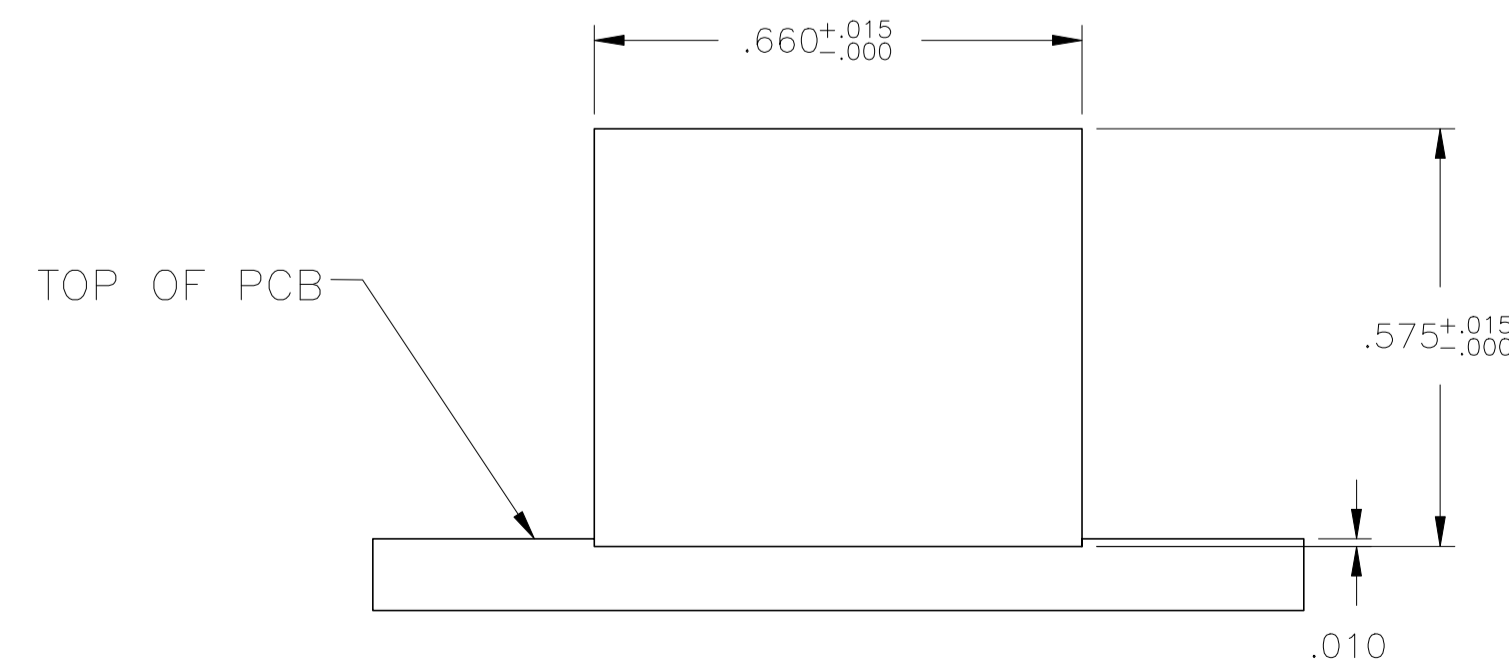
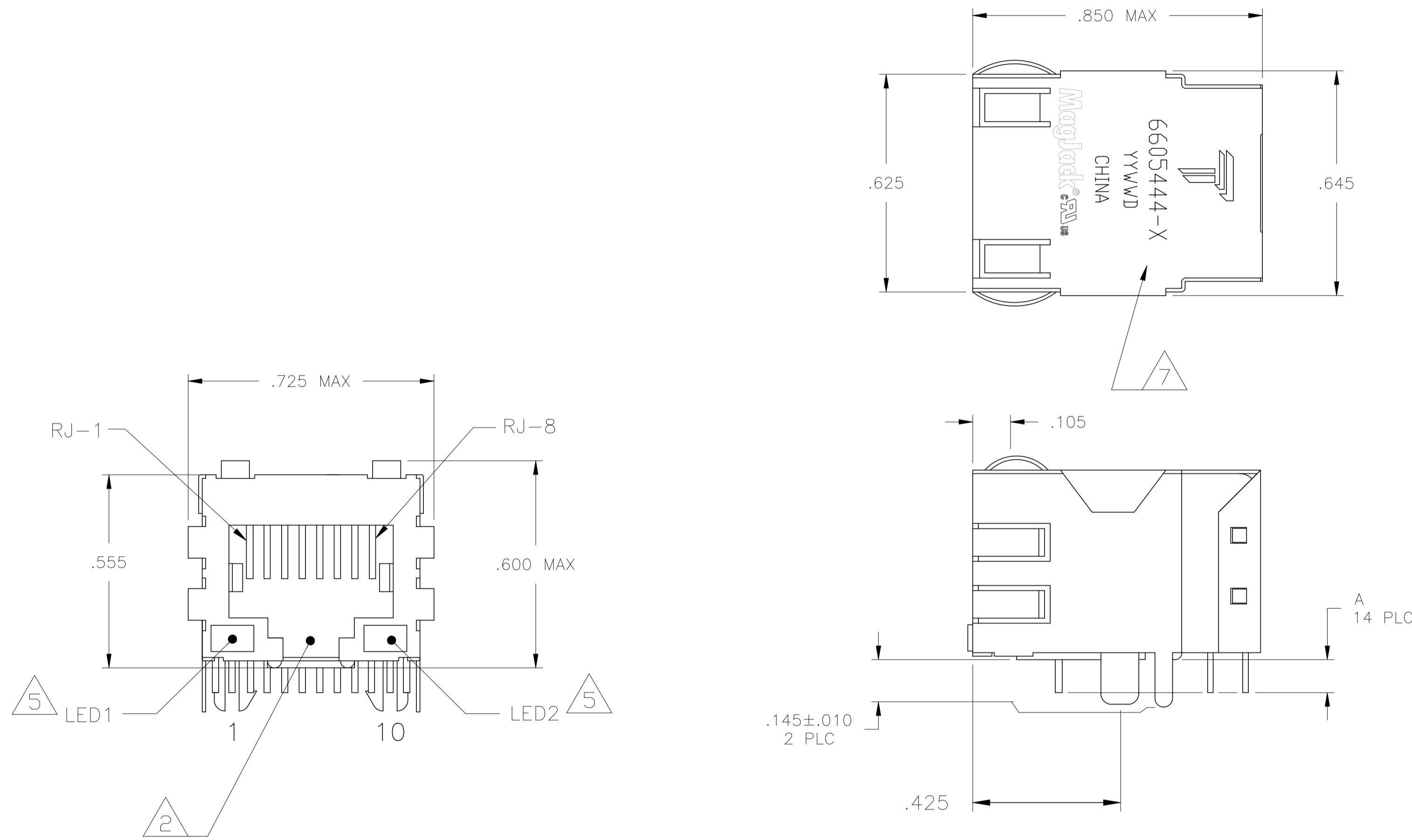


THIS DRAWING AND THE SUBJECT MATTER SHOWN THEREON ARE CONFIDENTIAL AND THE PROPERTY OF BEL/STEWART/TRP CONNECTOR AND SHALL NOT BE REPRODUCED, COPIED, OR USED IN ANY MANNER WITHOUT THE WRITTEN CONSENT OF TRP CONNECTOR.

PRODUCT MAY BE PROTECTED BY ONE OR MORE OF THE FOLLOWING US PATENTS:
 5736910 5939955 6425781 6428361 6554638 6840817 7123117
 7429195 7717749 7808751 6217391 6149050 7924130

REVISIONS					
P	LTR	REV	DESCRIPTION	DATE	APP'D
M			EC-1411035 COMPANY LOGO CHANGE	29DEC2014	ST TL

MECHANICAL:



Suggested Panel Cutout

- MATERIALS:**
 HOUSING - THERMOPLASTIC POLYESTER FLAMMABILITY RATING UL 94V-0.
 SHIELD - .010" THICK, C26800 BRASS PREPLATED WITH 30µINCH SEMI-BRIGHT NICKEL. SOLDER TABS POST DIPPED WITH 100µINCH MIN SAC SOLDER.
 MOD JACK CONTACTS - 0.0157 X 0.018" PHOSPHOR BRONZE, 1.27µm MIN NICKEL UNDERPLATE, WITH 1.27µm MIN GOLD PLATING AT MATING INTERFACE AND 2.54µm MIN MATTE TIN ON SOLDER TAILS, OR 1.27µm MIN NICKEL UNDERPLATE, WITH 0.05µm GOLD PLATING OVER 0.76µm MIN PALLADIUM NICKEL PLATING AT MATING INTERFACE AND 2.54µm MIN MATTE TIN ON SOLDER TAILS.
 LIGHT EMITTING DIODE(LED) - DIFFUSED EPOXY LENS, .020" x .020" CARBON STEEL WIREFRAME LEADS PRE-PLATED WITH 80µINCH SILVER OVER 40µINCH NICKEL UNDERPLATE OVER 40µINCH COPPER UNDERPLATE. POST-PLATED WITH 100µINCH MIN MATTE TIN AND/OR SAC SOLDER DIP OR PURE TIN SOLDER DIP.
- RJ45 JACK CAVITY CONFORMS TO FCC RULES AND REGULATIONS PART 68, SUB PART F.
- MAGNETICS**
 -IMPEDANCE: 100 OHMS
 -TURNS RATIO (CHIP CABLE): 1:1 ALL FOUR PAIRS
 -OPEN CIRCUIT INDUCTANCE (OCL): 350µH MIN @100kHz, 0.1VRMS, 8mADC BIAS FROM 0°C TO 70°C, ALL FOUR PAIRS
 -ALL FOUR PAIRS BI-DIRECTIONAL
 -PERFORMANCE @ 25°C:
 INSERTION LOSS (IL): 1.1dB MAX FROM 0.5MHz TO 100MHz
 RETURN LOSS (RL): 18dB MIN FROM 0.5MHz TO 40MHz
 12-20LOG(f/80)dB MIN FROM 40.1MHz TO 100MHz
 CROSSTALK ATTENUATION: 35dB MIN FROM 0.5MHz TO 40MHz
 33-20LOG(f/50)dB MIN FROM 40.1MHz TO 100MHz
 COMMON MODE REJECTION RATIO (CMRR): 30dB MIN FROM 0.5MHz TO 100MHz
 -ISOLATION VOLTAGE: 2250VDC(MAX) FOR 60 SECONDS WITH A RISE TIME OF 500V/SEC.
- OPERATING TEMPERATURE: FROM 0°C TO +70°C.
- THE 250 OHM LED RESISTORS ARE OPTIONAL, PLEASE SEE CHART FOR PRESENCE OR ABSENCE OF LED RESISTORS. IF THE LED WITHOUT 250 OHM RESISTORS, LED IS DRIVEN WITH CONSTANT CURRENT AT APPROX 20mA.
 LED COLOR: DOMINANT WAVELENGTH (λD): GREEN 568 nm TYP. @ IF=20mA
 FORWARD VOLTAGE (VF): GREEN 2.2V TYP. @ IF=20mA
 DOMINANT WAVELENGTH (λD): YELLOW 588 nm TYP. @ IF=20mA
 FORWARD VOLTAGE (VF): YELLOW 2.1V TYP. @ IF=20mA
 DOMINANT WAVELENGTH (λD): ORANGE 605 nm TYP. @ IF=20mA
 FORWARD VOLTAGE (VF): ORANGE 2.1V TYP. @ IF=20mA.

IF THE LED WITH 250 OHM RESISTORS, LED IS DRIVEN WITH 5V VOLTAGE AND THE MAX OPERATING CURRENT IS 20mA.
 LED COLOR: DOMINANT WAVELENGTH (λD): GREEN 568 nm TYP. @ VF=5V
 FORWARD CURRENT (IF): GREEN 12 mA TYP. @ VF=5V
- INDICATED MAGNETIC CONNECTIONS ARE SYMMETRICAL TO SUPPORT AUTO-MDI/MDIX.
- TRP CONNECTOR LOGO, PART NUMBER, DATE CODE, COUNTRY OF ORIGIN AND AGENCY APPROVAL MARKING IN APPROXIMATE LOCATION SHOWN. DATE CODE: "YY" IS YEAR, "WW" IS WORK WEEK, "D" IS DAY OF WEEK, WITH SUNDAY=1
- THESE PARTS ARE RECOMMENDED FOR WAVE SOLDERING PROCESS, PREHEAT TEMPERATURE IS 120°C TO 160°C, 120 SECONDS TO 180 SECONDS, PEAK WAVE SOLDERING TEMPERATURE IS 260°C MAX, 10 SECONDS MAX.

	HIGH TEMPERATURE	.145±.010	GREEN	YES	GREEN	YES	3-6605444-1
OBSOLETE	NORMAL TEMPERATURE	.145±.010	GREEN	YES	GREEN	YES	2-6605444-1
	HIGH TEMPERATURE	.090±.010	GREEN/YELLOW	NO	GREEN/YELLOW	NO	3-6605444-6
OBSOLETE	NORMAL TEMPERATURE	.145±.010	GREEN/YELLOW	NO	GREEN/YELLOW	NO	2-6605444-6
OBSOLETE	NORMAL TEMPERATURE	.090±.010	GREEN	NO	GREEN/ORANGE	NO	1-6605444-8
OBSOLETE	NORMAL TEMPERATURE	.090±.010	GREEN/ORANGE	NO	YELLOW	NO	1-6605444-3
	NORMAL TEMPERATURE	.090±.010	GREEN	YES	GREEN	YES	1-6605444-1
	NORMAL TEMPERATURE	.090±.010	GREEN/YELLOW	NO	GREEN/YELLOW	NO	6605444-6
	HOUSING MATERIAL	A	LED1	250 OHMS RESISTOR	LED2	250 OHMS RESISTOR	PART NUMBER

THIS DRAWING IS A CONTROLLED DOCUMENT.

DIMENSIONS: INCHES	TOLERANCES UNLESS OTHERWISE SPECIFIED:	DIN G ATTADIA 09MAR2005	DOCKS 09MAR2005
0 PLC ± -	1 PLC ± -	09MAR2005	09MAR2005
2 PLC ± 0.010	3 PLC ± 0.005		
4 PLC ± -	ANGLES ± -		
PRODUCT SPEC 108-2100	APPLICATION SPEC -		

TRP CONNECTOR
 a bel group
 DONGGUAN CHINA

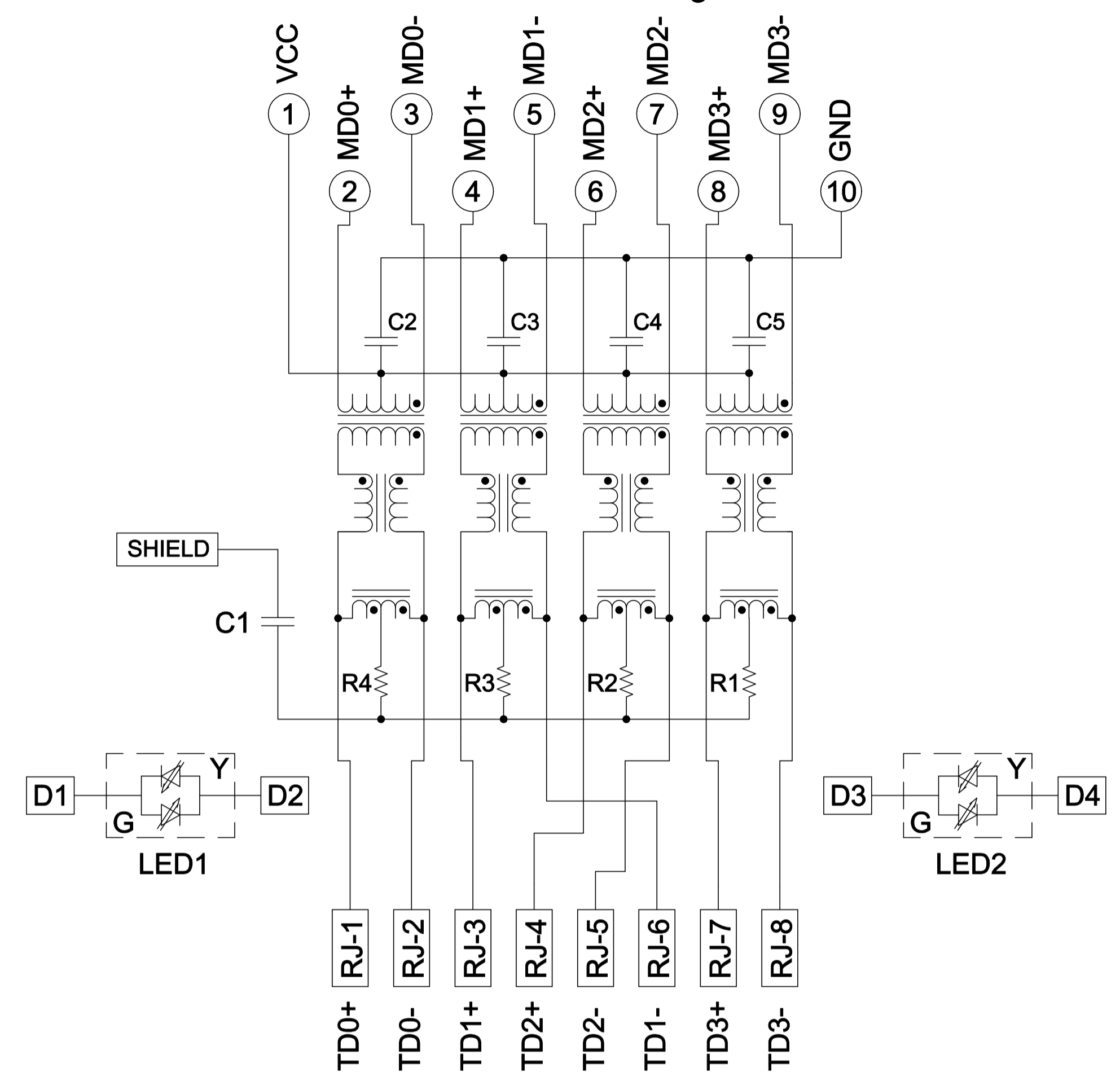
DESC: 1X1 4G05P1 GIGABIT TAB DOWN W/ LED

SIZE: A1
 CAGE CODE: -
 DRAWING NO: 6605444
 RESTRICTED TO: -

CUSTOMER DRAWING
 SCALE: 1:1
 SHEET: 1 OF 2
 REV: M

ELECTRICAL:

4G05P1 Series GIGABIT Magnetic Circuit

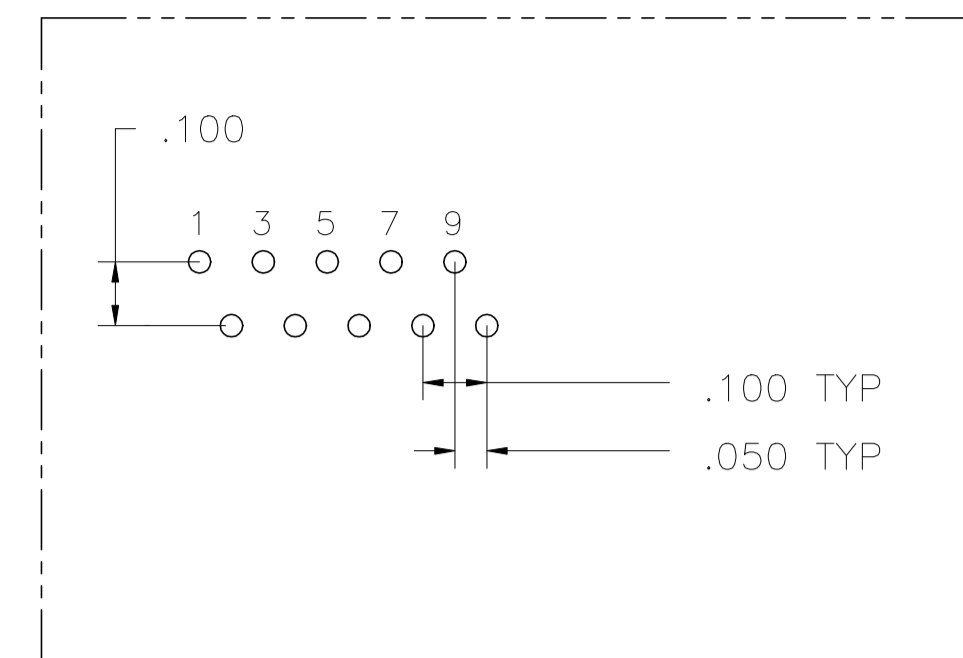


LED CONFIGURATION
For 1-6605444-1 ONLY

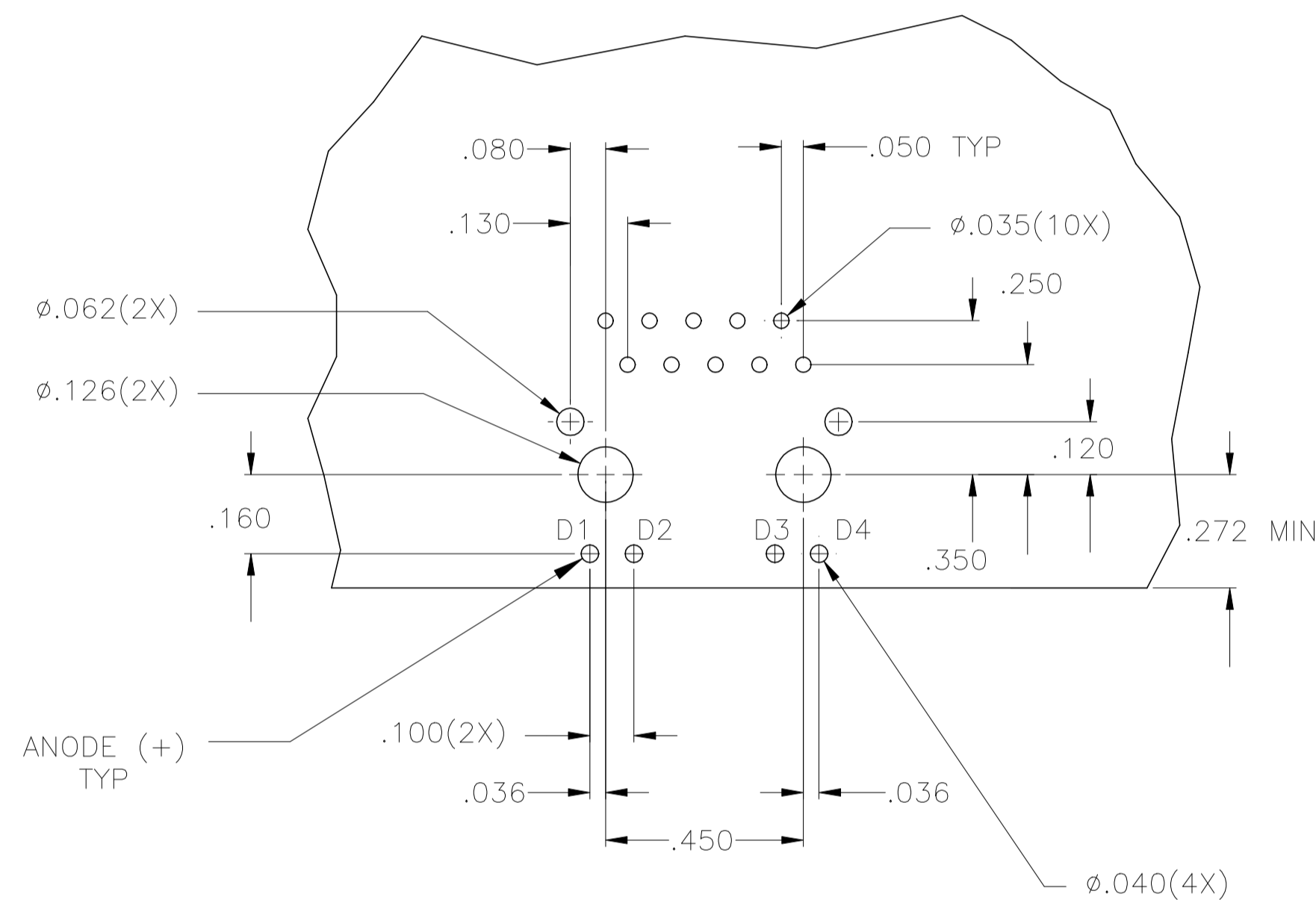
C1 = 1000 pF, 2kV CAPACITOR

R1-R4 = 75 OHMS, 1/16 W RESISTORS

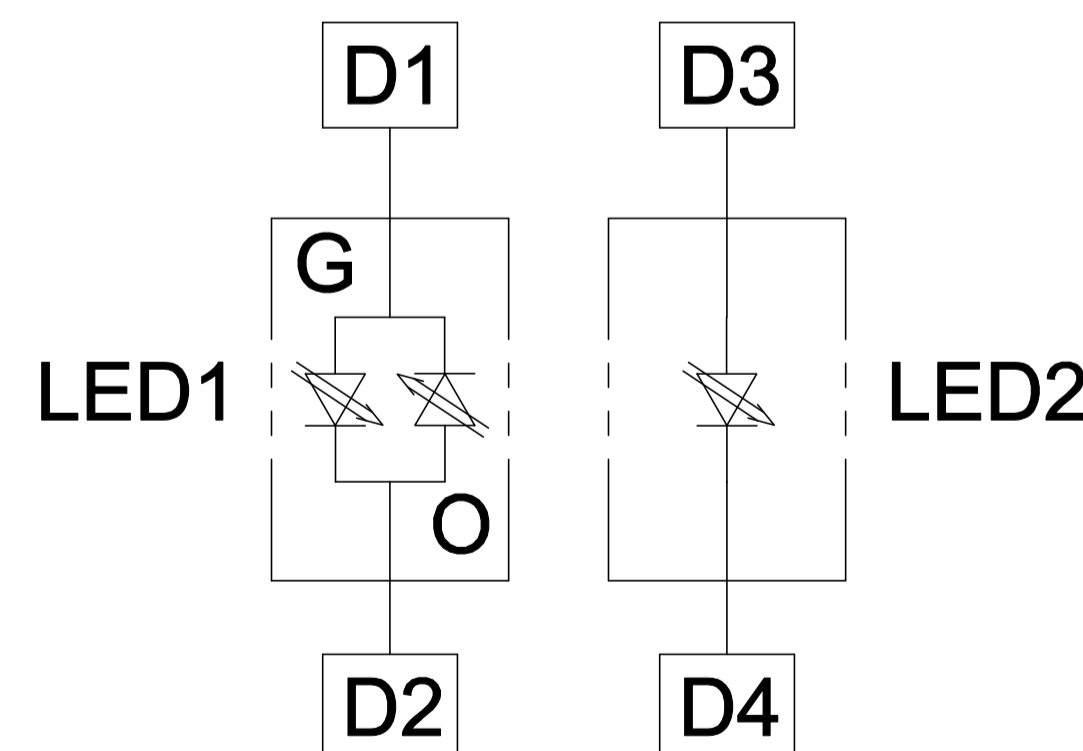
C2-C5 = 0.1uF, 50V, X7R CAPACITORS



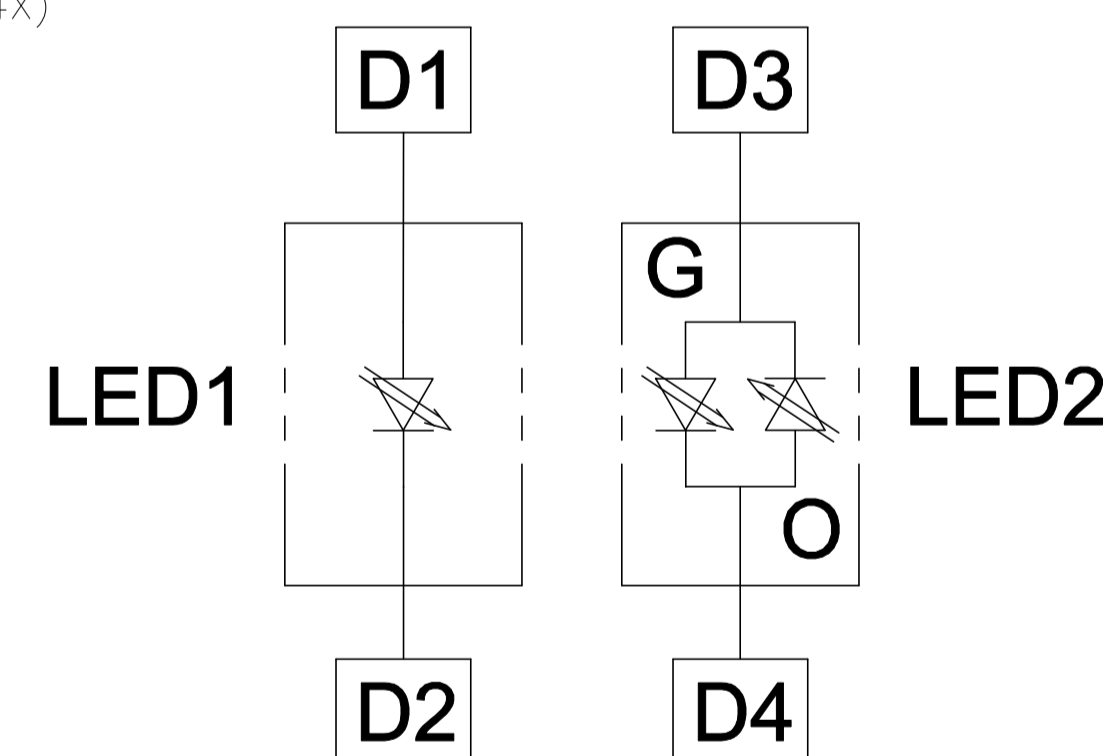
Pin Designations



Suggested PCB Layout
(Component Side)



LED CONFIGURATION
FOR 1-6605444-3 ONLY



LED CONFIGURATION
FOR 1-6605444-8 ONLY

THIS DRAWING IS A CONTROLLED DOCUMENT.		DIN G ATTADIA 09MAR2005		 trp CONNECTOR a bel group DONGGUAN CHINA
DIMENSIONS: INCHES		DOKKS 09MAR2005		
TOLERANCES UNLESS OTHERWISE SPECIFIED:		APFD D FAROLE 09MAR2005		DESC 1X1 4G05P1 GIGABIT TAB DOWN W/ LED
0 PLC ± - 1 PLC ± - 2 PLC ± 0.010 3 PLC ± 0.005 4 PLC ± - ANGLES ± - APPLICATION SPEC -		MODEL NAME		SIZE A1
PRODUCT SPEC 108-2100		SINGLE NON-POE		RESTRICTED TO -
		CUSTOMER DRAWING		SCALE 1:1 SHEET 2 OF 2 REV M



Компания «ЭлектроПласт» предлагает заключение долгосрочных отношений при поставках импортных электронных компонентов на взаимовыгодных условиях!

Наши преимущества:

- Оперативные поставки широкого спектра электронных компонентов отечественного и импортного производства напрямую от производителей и с крупнейших мировых складов;
- Поставка более 17-ти миллионов наименований электронных компонентов;
- Поставка сложных, дефицитных, либо снятых с производства позиций;
- Оперативные сроки поставки под заказ (от 5 рабочих дней);
- Экспресс доставка в любую точку России;
- Техническая поддержка проекта, помощь в подборе аналогов, поставка прототипов;
- Система менеджмента качества сертифицирована по Международному стандарту ISO 9001;
- Лицензия ФСБ на осуществление работ с использованием сведений, составляющих государственную тайну;
- Поставка специализированных компонентов (Xilinx, Altera, Analog Devices, Intersil, Interpoint, Microsemi, Aeroflex, Peregrine, Syfer, Eurofarad, Texas Instrument, Miteq, Cobham, E2V, MA-COM, Hittite, Mini-Circuits, General Dynamics и др.);

Помимо этого, одним из направлений компании «ЭлектроПласт» является направление «Источники питания». Мы предлагаем Вам помощь Конструкторского отдела:

- Подбор оптимального решения, техническое обоснование при выборе компонента;
- Подбор аналогов;
- Консультации по применению компонента;
- Поставка образцов и прототипов;
- Техническая поддержка проекта;
- Защита от снятия компонента с производства.



Как с нами связаться

Телефон: 8 (812) 309 58 32 (многоканальный)

Факс: 8 (812) 320-02-42

Электронная почта: org@eplast1.ru

Адрес: 198099, г. Санкт-Петербург, ул. Калинина, дом 2, корпус 4, литера А.