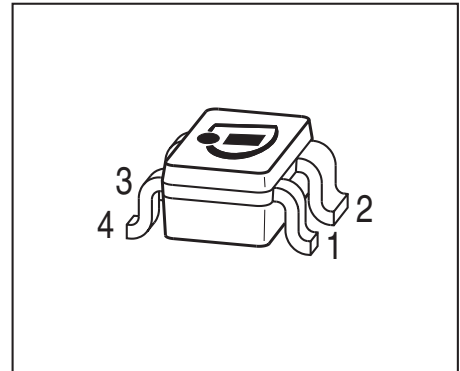


NPN Silicon RF Transistor

- General purpose low noise amplifier for low voltage, low current applications
- High ESD robustness, typical 1500V (HBM)
- Low minimum noise figure 1.1 dB at 1.8 GHz
- High linearity: output compression point
OP1dB = 13 dBm @ 3V, 35mA, 1.8GHz
- Easy to use standard package with visible leads
- Pb-free (RoHS compliant) package
- Qualified according AEC Q101



ESD (Electrostatic discharge) sensitive device, observe handling precaution!

Type	Marking	Pin Configuration						Package
BFP460	ABs	1 = E	2 = C	3 = E	4=B	-	-	SOT343

Maximum Ratings

Parameter	Symbol	Value	Unit
Collector-emitter voltage $T_A > 0\text{ }^\circ\text{C}$ $T_A \leq 0\text{ }^\circ\text{C}$	V_{CE0}	4.5 4.2	V
Collector-emitter voltage	V_{CES}	15	
Collector-base voltage	V_{CBO}	15	
Emitter-base voltage	V_{EBO}	1.5	
Collector current	I_C	70	mA
Base current	I_B	7	
Total power dissipation ¹⁾ $T_S \leq 92\text{ }^\circ\text{C}$	P_{tot}	230	mW
Junction temperature	T_J	150	$^\circ\text{C}$
Ambient temperature	T_A	-65 ... 150	
Storage temperature	T_{Stg}	-65 ... 150	

¹⁾ T_S is measured on the collector lead at the soldering point to the pcb

Thermal Resistance

Parameter	Symbol	Value	Unit
Junction - soldering point ¹⁾	R_{thJS}	≤ 250	K/W

Electrical Characteristics at $T_A = 25^\circ\text{C}$, unless otherwise specified

Parameter	Symbol	Values			Unit
		min.	typ.	max.	

DC Characteristics

Collector-emitter breakdown voltage $I_C = 1 \text{ mA}, I_B = 0$	$V_{(BR)CEO}$	4.5	5.8	-	V
Collector-emitter cutoff current $V_{CE} = 15 \text{ V}, V_{BE} = 0$ $V_{CE} = 2 \text{ V}, V_{BE} = 0$ $V_{CE} = 5 \text{ V}, V_{BE} = 0, T_A = 85^\circ\text{C}$ Verified by random sampling	I_{CES}	-	-	1000	nA
		-	1	30	
		-	2	40	
Collector-base cutoff current $V_{CB} = 2 \text{ V}, I_E = 0$ $V_{CB} = 5 \text{ V}, I_E = 0$	I_{CBO}	-	1	30	nA
		-	-	30	
Emitter-base cutoff current $V_{EB} = 0,5 \text{ V}, I_C = 0$	I_{EBO}	-	1	500	nA
DC current gain $V_{CE} = 3 \text{ V}, I_C = 20 \text{ mA}$, pulse measured	h_{FE}	90	120	160	-

¹⁾For calculation of R_{thJA} please refer to Application Note AN077 Thermal Resistance

Electrical Characteristics at $T_A = 25^\circ\text{C}$, unless otherwise specified

Parameter	Symbol	Values			Unit
		min.	typ.	max.	
AC Characteristics (verified by random sampling)					
Transition frequency $I_C = 30\text{ mA}$, $V_{CE} = 3\text{ V}$, $f = 1\text{ GHz}$	f_T	16	22	-	GHz
Collector-base capacitance $V_{CB} = 3\text{ V}$, $f = 1\text{ MHz}$, $V_{BE} = 0$, emitter grounded	C_{cb}	-	0.32	0.45	pF
Collector emitter capacitance $V_{CE} = 3\text{ V}$, $f = 1\text{ MHz}$, $V_{BE} = 0$, base grounded	C_{ce}	-	0.28	-	
Emitter-base capacitance $V_{EB} = 0.5\text{ V}$, $f = 1\text{ MHz}$, $V_{CB} = 0$, collector grounded	C_{eb}	-	0.55	-	
Minimum noise figure $V_{CE} = 2\text{ V}$, $I_C = 3\text{ mA}$, $Z_S = Z_{Sopt}$, $f = 100\text{ MHz}$ $V_{CE} = 3\text{ V}$, $I_C = 5\text{ mA}$, $Z_S = Z_{Sopt}$, $f = 1.8\text{ GHz}$ $V_{CE} = 3\text{ V}$, $I_C = 5\text{ mA}$, $Z_S = Z_{Sopt}$, $f = 3\text{ GHz}$	NF_{min}	-	0.7 1.1 1.2	-	dB

Electrical Characteristics at $T_A = 25^\circ\text{C}$, unless otherwise specified

Parameter	Symbol	Values			Unit
		min.	typ.	max.	
AC Characteristics (verified by random sampling)					
Maximum power Gain ¹⁾ $I_C = 3 \text{ mA}$, $V_{CE} = 1.5 \text{ V}$, $Z_S = Z_{\text{Sopt}}$, $Z_L = Z_{\text{Lopt}}$, $f = 100 \text{ MHz}$ $I_C = 20 \text{ mA}$, $V_{CE} = 3 \text{ V}$, $Z_S = Z_{\text{Sopt}}$, $Z_L = Z_{\text{Lopt}}$, $f = 1,8 \text{ GHz}$ $f = 3 \text{ GHz}$	G_{max}	-	26.5	-	dB
Transducer gain $I_C = 3 \text{ mA}$, $V_{CE} = 1.5 \text{ V}$, $Z_S = Z_L = 50\Omega$, $f = 100 \text{ MHz}$ $I_C = 20 \text{ mA}$, $V_{CE} = 3 \text{ V}$, $Z_S = Z_L = 50\Omega$, $f = 1.8 \text{ GHz}$ $f = 3 \text{ GHz}$	$ S_{21e} ^2$	-	20	-	dB
Third order intercept point at output ²⁾ $V_{CE} = 3 \text{ V}$, $I_C = 20 \text{ mA}$, $f = 100 \text{ MHz}$ $V_{CE} = 3 \text{ V}$, $I_C = 20 \text{ mA}$, $f = 1.8 \text{ GHz}$	IP_3	-	23.5	-	dBm
1dB compression point at output $V_{CE} = 3\text{V}$, $I_C = 20\text{mA}$, $Z_S=Z_L = 50\Omega$, $f = 100 \text{ MHz}$ $V_{CE} = 3\text{V}$, $I_C = 20\text{mA}$, $Z_S=Z_L = 50\Omega$, $f = 1.8 \text{ GHz}$ $V_{CE} = 3\text{V}$, $I_C = 35\text{mA}$, $Z_S=Z_L = 50\Omega$, $f = 1.8 \text{ GHz}$	$P_{-1\text{dB}}$	-	9.5	-	
		-	11.5	-	
		-	13	-	

$$^1G_{\text{ma}} = |S_{21} / S_{12}| (k - (k^2 - 1)^{1/2}), G_{\text{ms}} = |S_{21} / S_{12}|$$

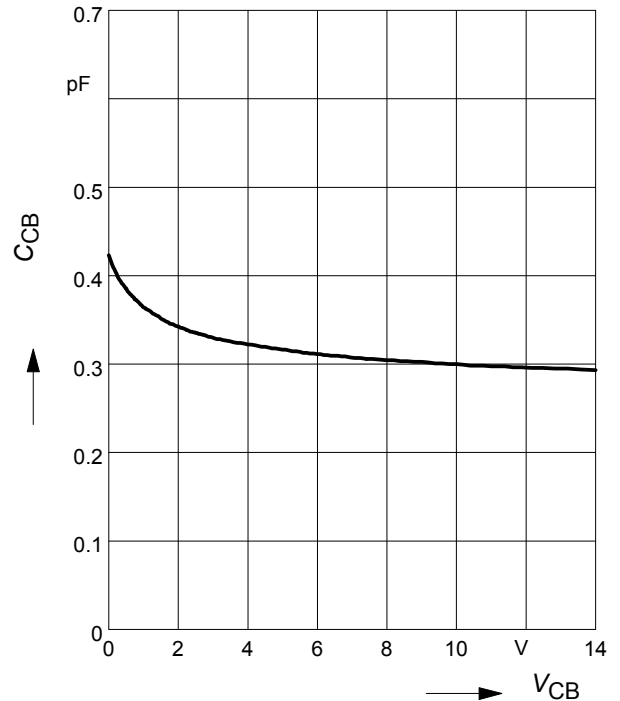
²IP3 value depends on termination of all intermodulation frequency components.

Termination used for this measurement is 50Ω from 0.1 MHz to 6 GHz

Total power dissipation $P_{tot} = f(T_S)$



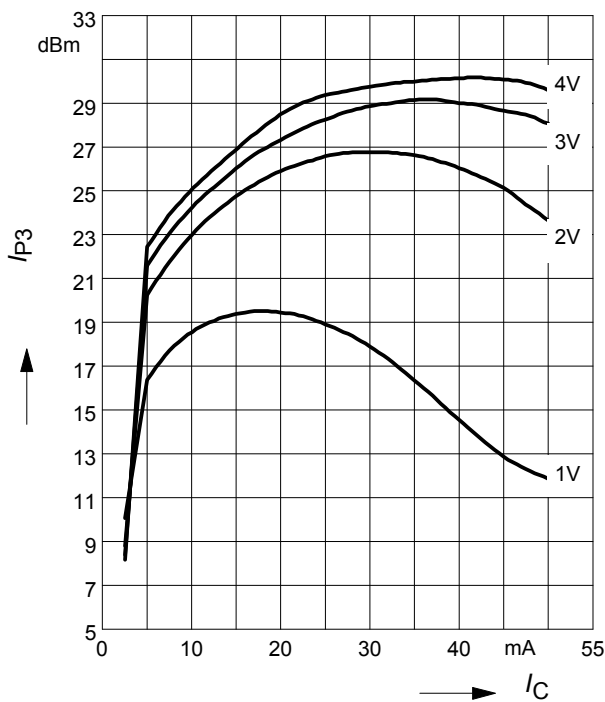
**Collector-base capacitance $C_{cb} = f(V_{CB})$
 $f = 1\text{MHz}$**



Third order Intercept Point $IP_3 = f(I_C)$

(Output, $Z_S = Z_L = 50\Omega$)

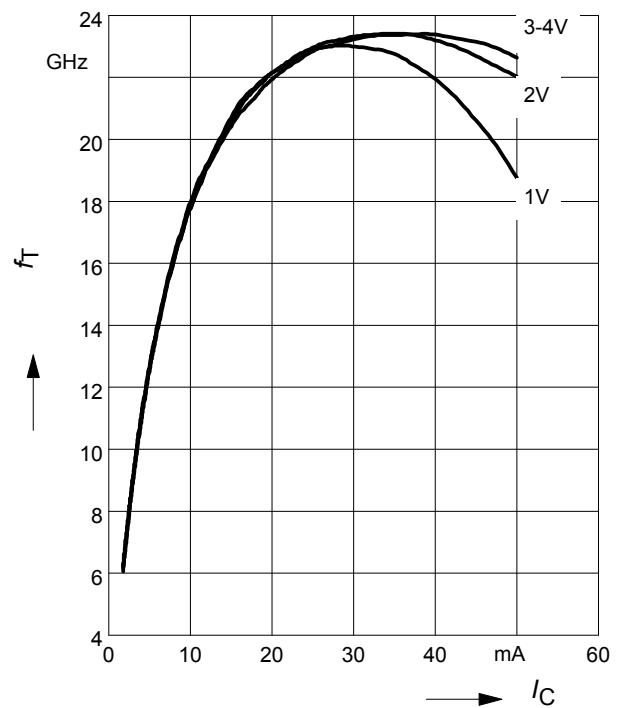
$V_{CE} = \text{parameter}, f = 1800\text{MHz}$



Transition frequency $f_T = f(I_C)$

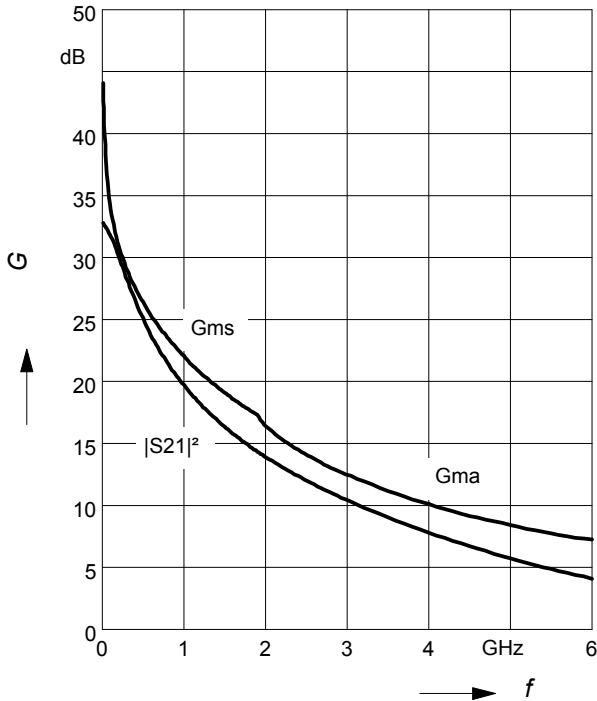
$f = 1\text{GHz}$

$V_{CE} = \text{parameter}$



Power gain $G_{ma}, G_{ms}, |S_{21}|^2 = f(f)$

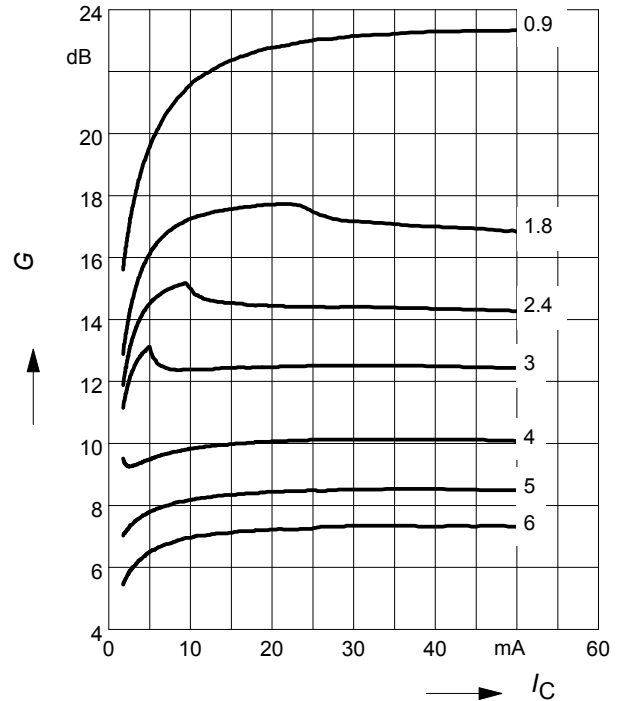
$V_{CE} = 3\text{ V}, I_C = 20\text{ mA}$



Power gain $G_{ma}, G_{ms} = f(I_C)$

$V_{CE} = 3\text{ V}$

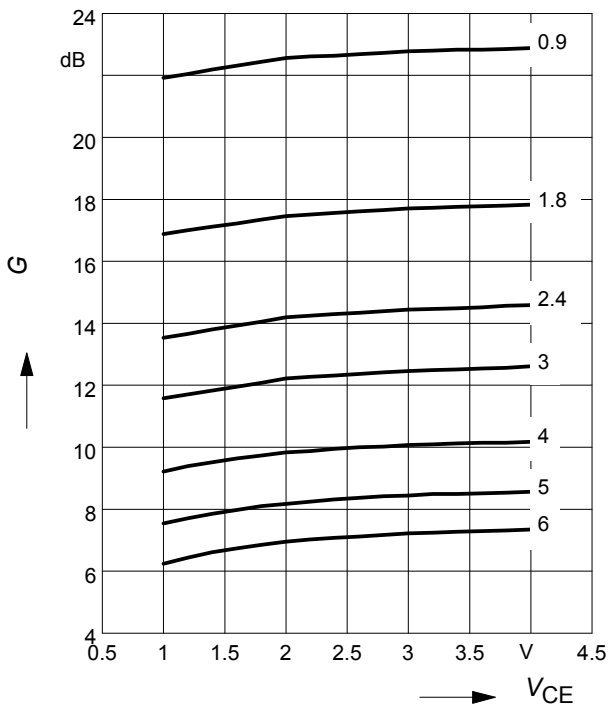
$f = \text{parameter in GHz}$



Power gain $G_{ma}, G_{ms} = f(V_{CE})$

$I_C = 20\text{ mA}$

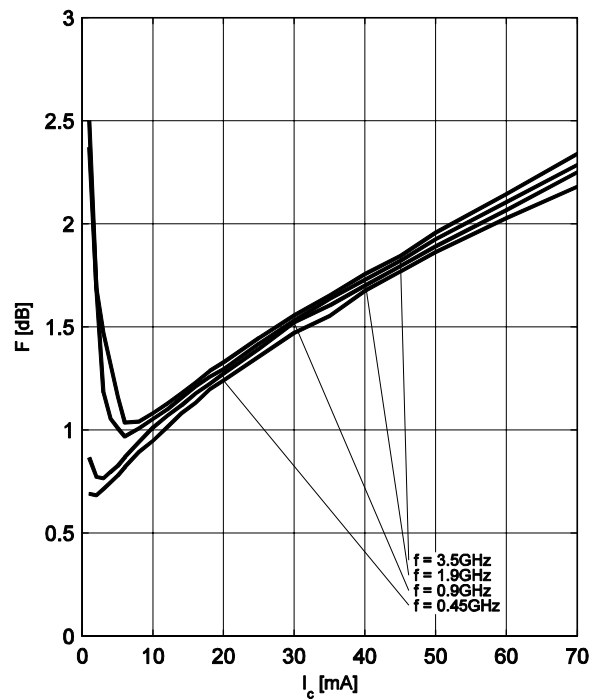
$f = \text{parameter in GHz}$



Noise figure $F = f(I_C)$

$V_{CE} = 2\text{ V}, f = \text{parameter}$

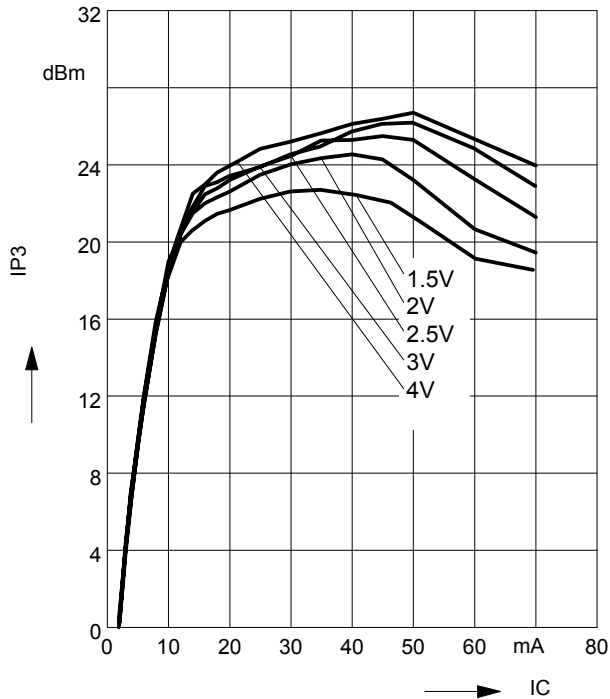
$Z_S = Z_{\text{Sopt}}$



Third order Intercept Point $IP_3=f(I_C)$

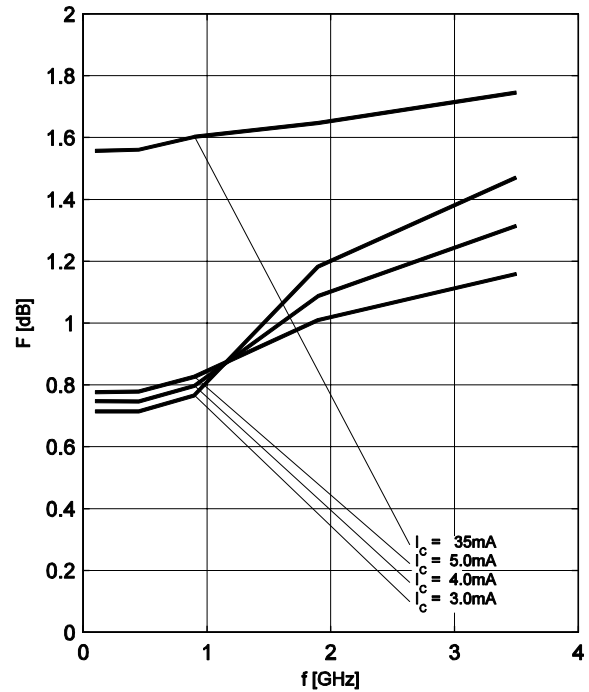
(Output, $Z_S=Z_L=50\Omega$)

V_{CE} = parameter, f = 100MHz



Noise figure $F = f(f)$

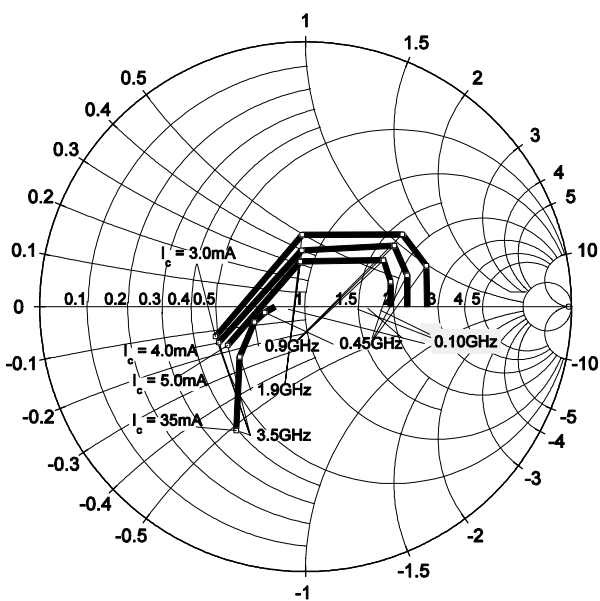
$V_{CE} = 2V$, $Z_S = Z_{Sopt}$, I_C = parameter



Source impedance for min.

noise figure vs. frequency

$V_{CE} = 2V$, I_C = parameter



SPICE Parameter

For the SPICE model as well as for the S-parameters (including noise parameters) please refer to our internet website www.infineon.com/rf.models.

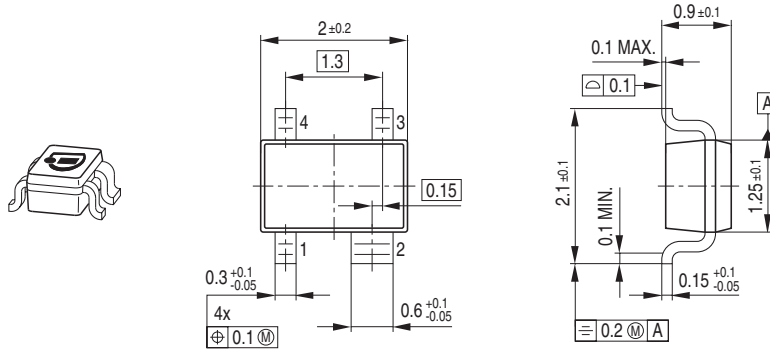
Please consult our website and download the latest versions before actually starting your design.

You find the BFP460 SPICE model in the internet in MWO- and ADS- format which you can import into these circuit simulation tools very quickly and conveniently.

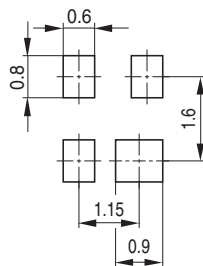
The simulation data have been generated and verified using typical devices.

The BFP460 SPICE model reflects the typical DC- and RF-performance with high accuracy.

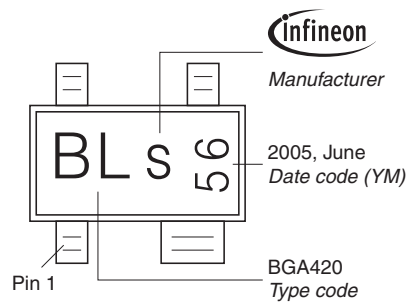
Package Outline



Foot Print

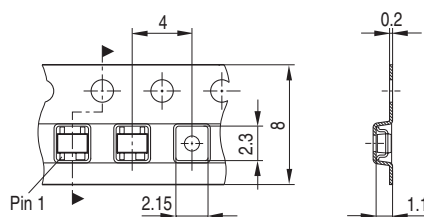


Marking Layout (Example)



Standard Packing

Reel ø180 mm = 3.000 Pieces/Reel
 Reel ø330 mm = 10.000 Pieces/Reel



Datasheet Revision History: 17 May 2010

This datasheet replaces the revision from 14 August 2008.

The product itself has not been changed and the device characteristics remain unchanged. Only the product description and information available in the datasheet has been expanded and updated.

Previous Revision: 14 August 2008	
Page	Subject (changes since last revision)
1	Maximum ratings for collector current I_{Cmax} , base current I_{Bmax} and total power dissipation P_{tot} increased
2	Typical values for leakage currents included, maximum leakage current values reduced
3	Noise description at 100 MHz added
4	Gain and linearity description at 100 MHz added
5 - 7	Curves for IP_3 and noise at 100 MHz added

Edition 2009-11-16

**Published by
Infineon Technologies AG
81726 Munich, Germany**

**© 2009 Infineon Technologies AG
All Rights Reserved.**

Legal Disclaimer

The information given in this document shall in no event be regarded as a guarantee of conditions or characteristics. With respect to any examples or hints given herein, any typical values stated herein and/or any information regarding the application of the device, Infineon Technologies hereby disclaims any and all warranties and liabilities of any kind, including without limitation, warranties of non-infringement of intellectual property rights of any third party.

Information

For further information on technology, delivery terms and conditions and prices, please contact the nearest Infineon Technologies Office ([<www.infineon.com>](http://www.infineon.com)).

Warnings

Due to technical requirements, components may contain dangerous substances. For information on the types in question, please contact the nearest Infineon Technologies Office.

Infineon Technologies components may be used in life-support devices or systems only with the express written approval of Infineon Technologies, if a failure of such components can reasonably be expected to cause the failure of that life-support device or system or to affect the safety or effectiveness of that device or system. Life support devices or systems are intended to be implanted in the human body or to support and/or maintain and sustain and/or protect human life. If they fail, it is reasonable to assume that the health of the user or other persons may be endangered.



Компания «ЭлектроПласт» предлагает заключение долгосрочных отношений при поставках импортных электронных компонентов на взаимовыгодных условиях!

Наши преимущества:

- Оперативные поставки широкого спектра электронных компонентов отечественного и импортного производства напрямую от производителей и с крупнейших мировых складов;
- Поставка более 17-ти миллионов наименований электронных компонентов;
- Поставка сложных, дефицитных, либо снятых с производства позиций;
- Оперативные сроки поставки под заказ (от 5 рабочих дней);
- Экспресс доставка в любую точку России;
- Техническая поддержка проекта, помощь в подборе аналогов, поставка прототипов;
- Система менеджмента качества сертифицирована по Международному стандарту ISO 9001;
- Лицензия ФСБ на осуществление работ с использованием сведений, составляющих государственную тайну;
- Поставка специализированных компонентов (Xilinx, Altera, Analog Devices, Intersil, Interpoint, Microsemi, Aeroflex, Peregrine, Syfer, Eurofarad, Texas Instrument, Miteq, Cobham, E2V, MA-COM, Hittite, Mini-Circuits, General Dynamics и др.);

Помимо этого, одним из направлений компании «ЭлектроПласт» является направление «Источники питания». Мы предлагаем Вам помощь Конструкторского отдела:

- Подбор оптимального решения, техническое обоснование при выборе компонента;
- Подбор аналогов;
- Консультации по применению компонента;
- Поставка образцов и прототипов;
- Техническая поддержка проекта;
- Защита от снятия компонента с производства.



Как с нами связаться

Телефон: 8 (812) 309 58 32 (многоканальный)

Факс: 8 (812) 320-02-42

Электронная почта: org@eplast1.ru

Адрес: 198099, г. Санкт-Петербург, ул. Калинина, дом 2, корпус 4, литера А.