


SERIES: ETMA 30W | **DESCRIPTION:** MEDICAL AC-DC POWER SUPPLY

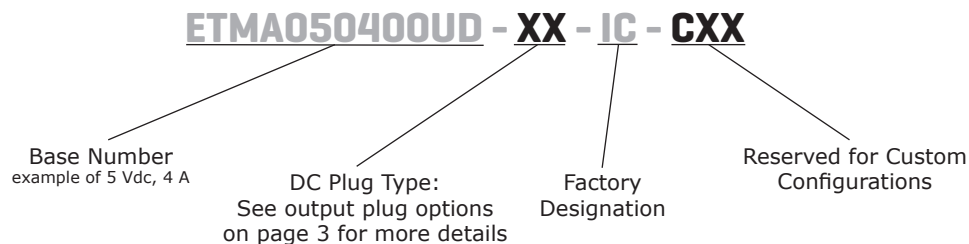
FEATURES

- up to 30 W power
- universal input (90~264 Vac)
- single regulated output from 5~24 Vdc
- over voltage and short circuit protections
- full medical safety approvals
- level V efficiency
- custom designs available



| MODEL | output voltage (Vdc) | output current max (A) | output power max (W) | ripple and noise ¹ max (mVp-p) | efficiency level |
|--------------|-------------------------|---------------------------|-------------------------|--|------------------|
| ETMA050400UD | 5 | 4 | 20 | 50 | V |
| ETMA090300UD | 9 | 3 | 27 | 90 | V |
| ETMA120250UD | 12 | 2.5 | 30 | 120 | V |
| ETMA150200UD | 15 | 2 | 30 | 150 | V |
| ETMA180165UD | 18 | 1.65 | 30 | 180 | V |
| ETMA240125UD | 24 | 1.25 | 30 | 240 | V |

1. at full load, 100 ~ 240 Vac input, 20 MHz bandwidth oscilloscope, each output terminated with a 10 μ F aluminum electrolytic and 0.1 μ F ceramic capacitors.

PART NUMBER KEY


INPUT

| parameter | conditions/description | min | typ | max | units |
|---------------------------|------------------------|-----|-----|-----|-------|
| voltage | | 90 | | 264 | Vac |
| frequency | | 47 | | 63 | Hz |
| input current | | | | 0.6 | A |
| inrush current | at 240 Vac | | | 50 | A |
| no load power consumption | | | | 0.3 | W |

OUTPUT

| parameter | conditions/description | min | typ | max | units |
|------------------------------|------------------------|-----|-------|-----|-------|
| line regulation ¹ | | | ±1 | | % |
| load regulation ² | 5 Vdc output | | ±6 | | % |
| | 9 Vdc output | | ±4 | | % |
| | 12, 15 Vdc outputs | | ±3 | | % |
| | 18, 24 Vdc outputs | | ±2 | | % |
| voltage accuracy | | | ±2 | | % |
| hold-up time | at 115 Vac | | 16 | | ms |
| switching frequency | | | 70 | | kHz |
| temperature coefficient | | | ±0.05 | | %/°C |

Note: 1. measured from 100 ~ 240 Vac, full load
2. measured from 60% to full load and from 60 ~ 20% load (60% ±40% load)

PROTECTIONS

| parameter | conditions/description |
|--------------------------|--------------------------|
| over voltage protection | TVS component to clamp |
| short circuit protection | continuous, auto restart |

SAFETY & COMPLIANCE

| parameter | conditions/description | min | typ | max | units |
|-------------------|--|---------|-----|-------|-------|
| isolation voltage | input to output | | | 5,656 | Vdc |
| safety approvals | IEC 60601-1, EN 60601-1, UL 60601-1 | | | | |
| EMI/EMC | EN 55011, EN 60601-1-2, EN 61000-3-(2,3) | | | | |
| MTBF | as per MIL-HDBK-217F, 115 Vac, 25 °C | 300,000 | | | hours |
| RoHS | 2011/65/EU | | | | |

ENVIRONMENTAL

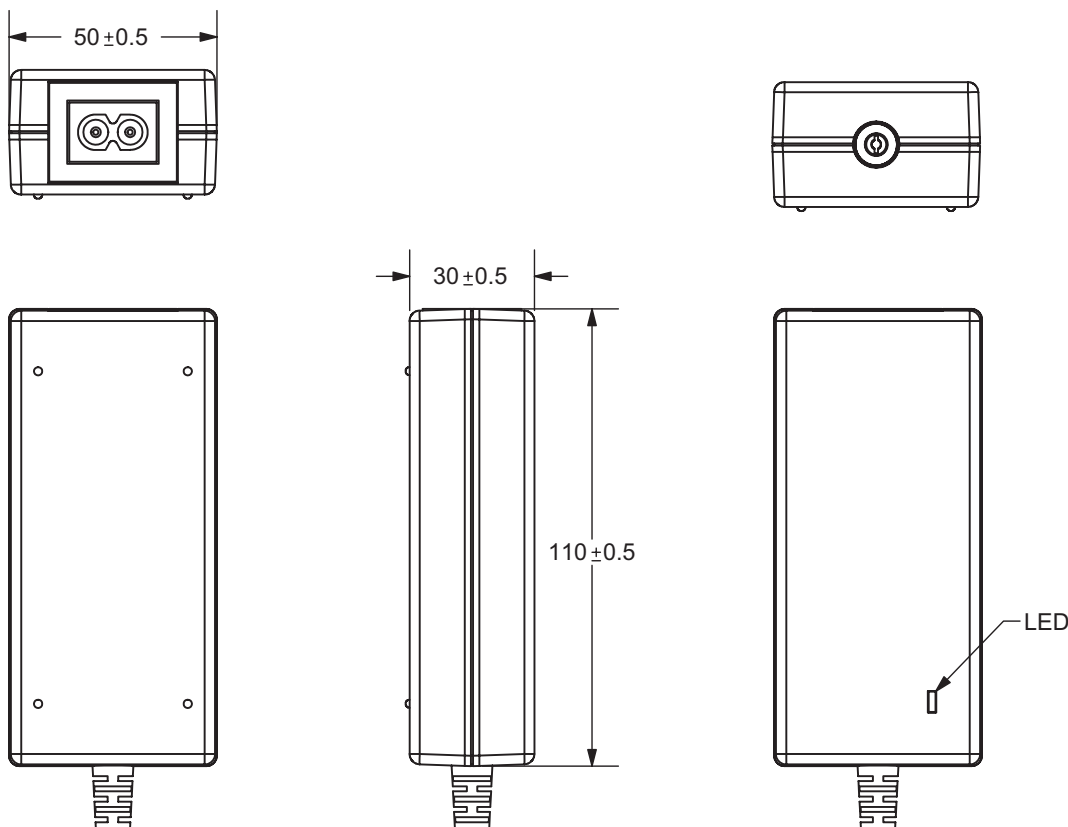
| parameter | conditions/description | min | typ | max | units |
|-----------------------|------------------------|-----|-----|-----|-------|
| operating temperature | | 0 | | 40 | °C |
| storage temperature | | -20 | | 85 | °C |
| humidity | non-condensing | | | 93 | % |

MECHANICAL

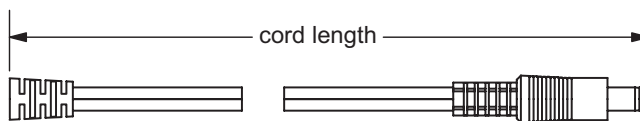
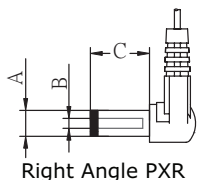
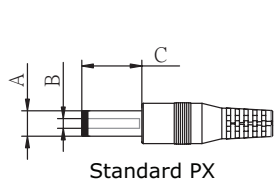
| parameter | conditions/description | min | typ | max | units |
|------------|--|-----|-----|-----|-------|
| dimensions | 110 x 50 x 30 (4.331 x 1.969 x 1.181 inch) | | | | mm |
| input plug | IEC320 / C8 | | | | |
| weight | | | 220 | | g |

MECHANICAL DRAWING

units: mm



DC OUTPUT PLUG OPTIONS / DC CORD



| | A | B | C | Unit |
|--------|-----|-----|-----|------|
| P5/P5R | 5.5 | 2.1 | 9.5 | mm |
| P6/P6R | 5.5 | 2.5 | 9.5 | mm |

| MODEL NO. | CABLE GAUGE | CORD LENGTH |
|--------------|-------------|-------------------|
| ETMA050400UD | 18 AWG | 720 mm \pm 50 |
| ETMA090300UD | 18 AWG | 1,220 mm \pm 50 |
| ETMA120250UD | 18 AWG | 1,800 mm \pm 50 |
| ETMA150200UD | 18 AWG | 1,800 mm \pm 50 |
| ETMA180165UD | 18 AWG | 1,800 mm \pm 50 |
| ETMA240125UD | 18 AWG | 1,800 mm \pm 50 |

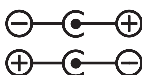
PXXX

Plug Type

Plug Angle:
"Blank" = Standard
R = Right Angle

Plug Polarity:
"Blank" = N/A
P = Center Positive

N = Center Negative



REVISION HISTORY

| rev. | description | date |
|------|-----------------------------|------------|
| 1.0 | initial release | 12/02/2011 |
| 1.01 | updated P7/P7R B dimension | 03/23/2012 |
| 1.02 | V-Infinity branding removed | 08/21/2012 |
| 1.03 | updated datasheet | 07/10/2015 |

The revision history provided is for informational purposes only and is believed to be accurate.



CUI INC[®]

Headquarters
20050 SW 112th Ave.
Tualatin, OR 97062
800.275.4899

Fax 503.612.2383
cui.com
techsupport@cui.com

This device complies with part 15 of the FCC Rules. Operation is subject to the following two conditions:

- (1) This device may not cause harmful interference, and
- (2) this device must accept any interference received, including interference that may cause undesired operation.

CUI offers a one (1) year limited warranty. Complete warranty information is listed on our website.

CUI reserves the right to make changes to the product at any time without notice. Information provided by CUI is believed to be accurate and reliable. However, no responsibility is assumed by CUI for its use, nor for any infringements of patents or other rights of third parties which may result from its use.

CUI products are not authorized or warranted for use as critical components in equipment that requires an extremely high level of reliability. A critical component is any component of a life support device or system whose failure to perform can be reasonably expected to cause the failure of the life support device or system, or to affect its safety or effectiveness.



Компания «ЭлектроПласт» предлагает заключение долгосрочных отношений при поставках импортных электронных компонентов на взаимовыгодных условиях!

Наши преимущества:

- Оперативные поставки широкого спектра электронных компонентов отечественного и импортного производства напрямую от производителей и с крупнейших мировых складов;
- Поставка более 17-ти миллионов наименований электронных компонентов;
- Поставка сложных, дефицитных, либо снятых с производства позиций;
- Оперативные сроки поставки под заказ (от 5 рабочих дней);
- Экспресс доставка в любую точку России;
- Техническая поддержка проекта, помощь в подборе аналогов, поставка прототипов;
- Система менеджмента качества сертифицирована по Международному стандарту ISO 9001;
- Лицензия ФСБ на осуществление работ с использованием сведений, составляющих государственную тайну;
- Поставка специализированных компонентов (Xilinx, Altera, Analog Devices, Intersil, Interpoint, Microsemi, Aeroflex, Peregrine, Syfer, Eurofarad, Texas Instrument, Miteq, Cobham, E2V, MA-COM, Hittite, Mini-Circuits, General Dynamics и др.);

Помимо этого, одним из направлений компании «ЭлектроПласт» является направление «Источники питания». Мы предлагаем Вам помощь Конструкторского отдела:

- Подбор оптимального решения, техническое обоснование при выборе компонента;
- Подбор аналогов;
- Консультации по применению компонента;
- Поставка образцов и прототипов;
- Техническая поддержка проекта;
- Защита от снятия компонента с производства.



Как с нами связаться

Телефон: 8 (812) 309 58 32 (многоканальный)

Факс: 8 (812) 320-02-42

Электронная почта: org@eplast1.ru

Адрес: 198099, г. Санкт-Петербург, ул. Калинина, дом 2, корпус 4, литера А.