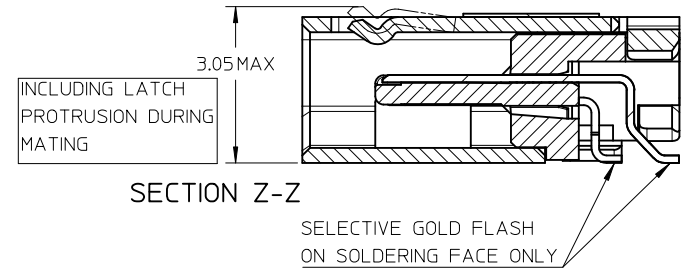
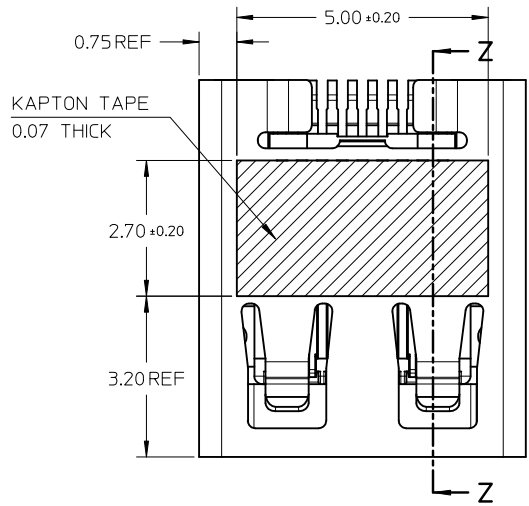
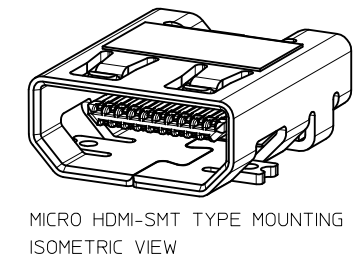
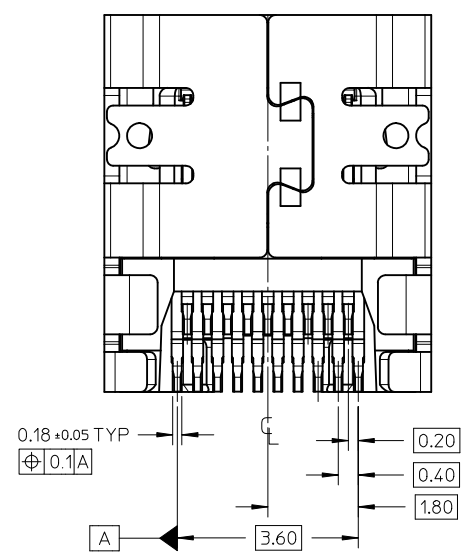


D	PG4/5,modify keepout zone.pg1,2,3/5 add blackhsg p/n	28.Nov.2011
REV NO	DESCRIPTION	DATE

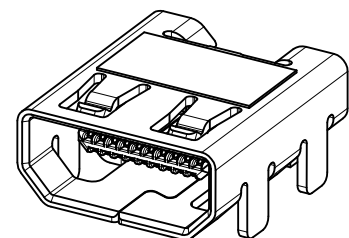
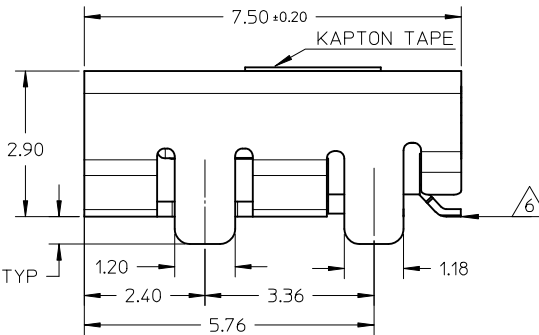
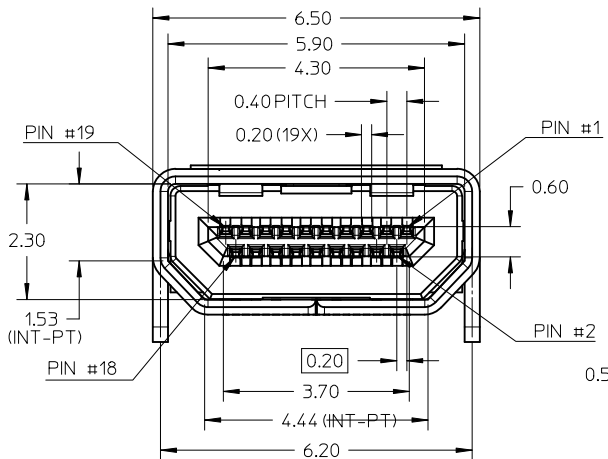


- NOTES:
- MATERIALS:
HOUSING: LCP, 30% GLASS FILLED, UL94V-0
TERMINALS: COPPER ALLOY
SHIELD: STAINLESS STEEL
 - FINISHES:
TERMINALS: GOLD ON CONTACT AREA (Refer Table),
0.05UM MIN GOLD FLASH ON SOLDER TAILS,
AND 2.0UM MIN NICKEL UNDERPLATE OVERALL
SHIELD: MATTE TIN (Refer Table) OVER 1.27UM MIN NICKEL
 - PRODUCT SPECIFICATION: PS-46765-001
 - PACKAGING SPECIFICATION: PACKED IN TAPE & REEL
 - SEE SHEET 4 OF 5 FOR RECOMMENDED PCB LAYOUT
 - TERMINAL SOLDER-TAIL COPLANARITY 0.08 MAX

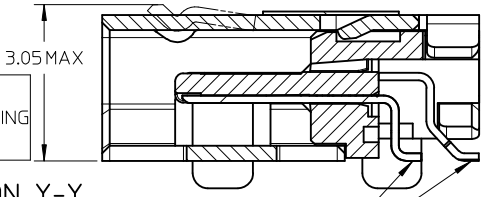


DESCRIPTION	Contact: 0.76µM Gold Min Shield: 3.8µM Tin Min PART NUMBER	Contact: 0.38µM Gold Min Shield: 2.0µM Tin Min PART NUMBER
SMT TYPE+KAPTON TAPE	46765-0001	46765-0301
SMT TYPE+BLACK HSG+KAPTON TAPE	--	46765-0302
SMT TYPE	46765-0011	46765-0311
SMT TYPE+BLACK HSG	--	46765-0312

RELEASED EC NO: S2012-0444 DRWN: CWANG25 2011/10/24 CH'K'D: JKOH 2011/12/02 APPR: NAGESHKN 2011/12/02	QUALITY SYMBOLS 	GENERAL TOLERANCES (UNLESS SPECIFIED)		DIMENSION STYLE MM ONLY	SCALE NTS	DESIGN UNITS METRIC	THIRD ANGLE PROJECTION
		4 PLACES ± --- ± --- 3 PLACES ± --- ± --- 2 PLACES ± 0.1 ± --- 1 PLACE ± --- ± --- ANGULAR ± 2 °	mm INCH DRAWN BY: MKAMARAU CHECKED BY: MKAMARAU APPROVED BY: NAGESHKN MATERIAL NO.	DATE: 2008/10/14 DATE: 2008/10/14 DATE: 2010/11/19	TITLE MICRO HDMI, TYPE-D 0.4MM PITCH, 19CKT RECEPTACLE CONNECTOR	MOLEX INCORPORATED	DOCUMENT NO. SD-46765-001
DRAFT WHERE APPLICABLE MUST REMAIN WITHIN DIMENSIONS	SIZE A3	THIS DRAWING CONTAINS INFORMATION THAT IS PROPRIETARY TO MOLEX INCORPORATED AND SHOULD NOT BE USED WITHOUT WRITTEN PERMISSION					



MICRO HDMI-THRU HOLE TYPE MOUNTING ISOMETRIC VIEW

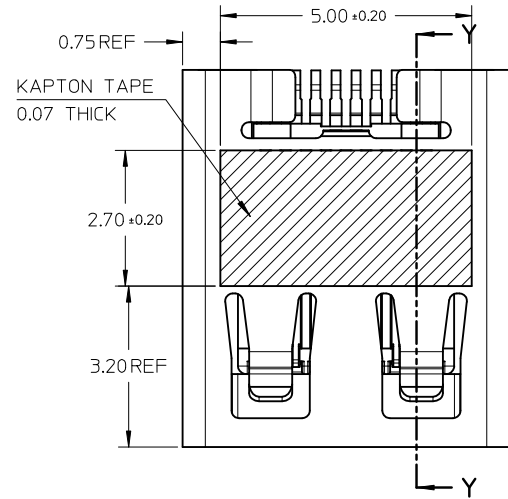
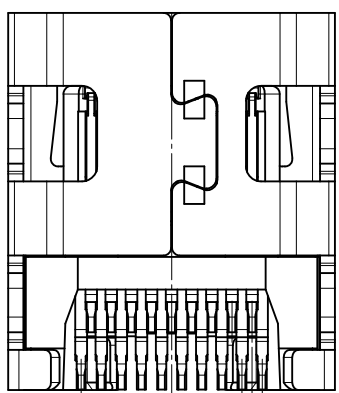


SECTION Y-Y

SELECTIVE GOLD FLASH ON SOLDERING FACE ONLY

NOTES:

1. MATERIALS:
HOUSING: LCP, 30% GLASS FILLED, UL94V-0
TERMINALS: COPPER ALLOY
SHIELD: STAINLESS STEEL
2. FINISHES:
TERMINALS: GOLD ON CONTACT AREA (Refer Table),
0.05UM MIN GOLD FLASH ON SOLDER TAILS,
AND 2.0UM MIN NICKEL UNDERPLATE OVERALL
SHIELD: MATTE TIN (Refer Table) OVER 1.27UM MIN NICKEL
3. PRODUCT SPECIFICATION: PS-46765-001
4. PACKAGING SPECIFICATION: PACKED IN TAPE & REEL
5. SEE SHEET 4 OF 5 FOR RECOMMENDED PCB LAYOUT
6. TERMINAL SOLDER-TAIL COPLANARITY 0.08 MAX



DESCRIPTION	Contact: 0.76µM Gold Min Shield: 3.8µM Tin Min	Contact: 0.38µM Gold Min Shield: 2.0µM Tin Min
THRU HOLE TYPE+KAPTON TAPE	46765-1001	46765-1301
THRU HOLE TYPE+BLACK HSG+KAPTON TAPE	--	46765-1302
THRU HOLE TYPE	46765-1011	46765-1311
THRU HOLE TYPE+BLACK HSG	--	46765-1312

RELEASED
EC NO: S2012-0444
DRWN: CWANG25
CHKD: JKOH
APPR: NAGESHK N
2011/10/24
2011/12/02
2011/12/02

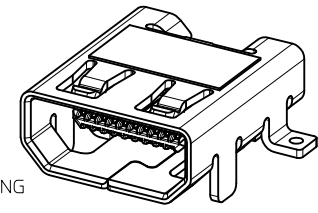
QUALITY SYMBOLS
▽=0
◻=0

GENERAL TOLERANCES (UNLESS SPECIFIED)	mm	INCH
	4 PLACES ± ---	± ---
	3 PLACES ± ---	± ---
	2 PLACES ± 0.1	± ---
	1 PLACE ± ---	± ---
ANGULAR ± 2 °		
DRAFT WHERE APPLICABLE MUST REMAIN WITHIN DIMENSIONS		

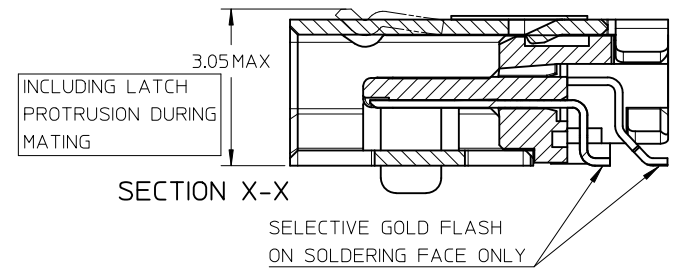
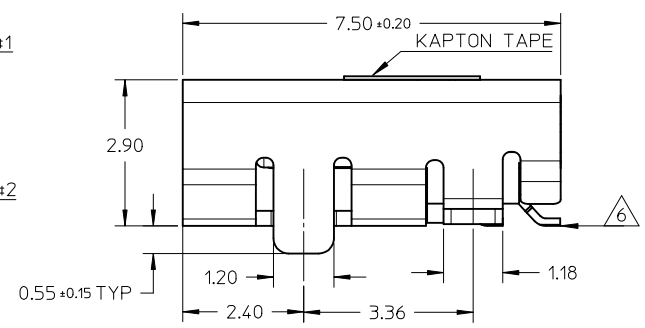
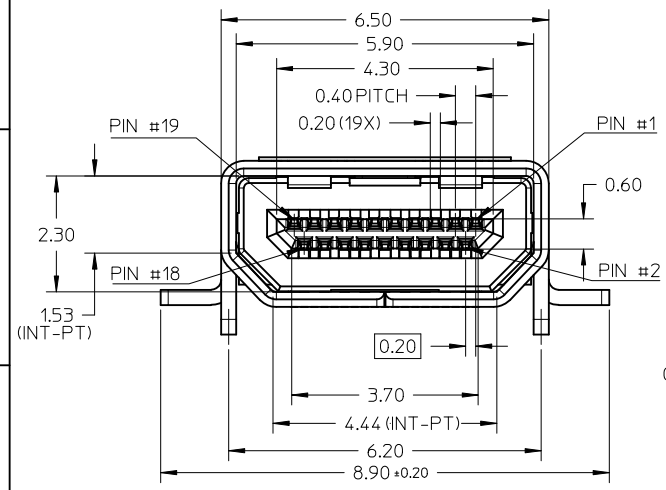
DIMENSION STYLE MM ONLY	
DRAWN BY MKAMARAU	DATE 2008/10/14
CHECKED BY MKAMARAU	DATE 2008/10/14
APPROVED BY NAGESHK N	DATE 2010/11/19
MATERIAL NO.	
SEE TABLE	

SCALE NTS	DESIGN UNITS METRIC	THIRD ANGLE PROJECTION
TITLE MICRO HDMI, TYPE-D 0.4MM PITCH, 19CKT RECEPTACLE CONNECTOR		
MOLEX INCORPORATED		SHEET NO. 2 OF 5
DOCUMENT NO. SD-46765-001		
THIS DRAWING CONTAINS INFORMATION THAT IS PROPRIETARY TO MOLEX INCORPORATED AND SHOULD NOT BE USED WITHOUT WRITTEN PERMISSION		

10 9 8 7 6 5 4 3 2 1

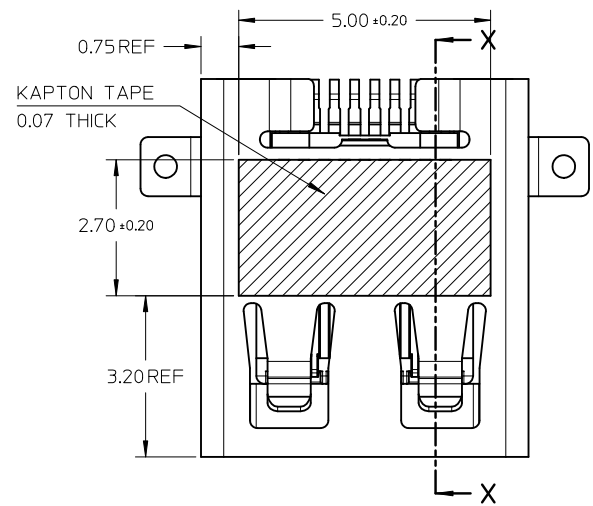
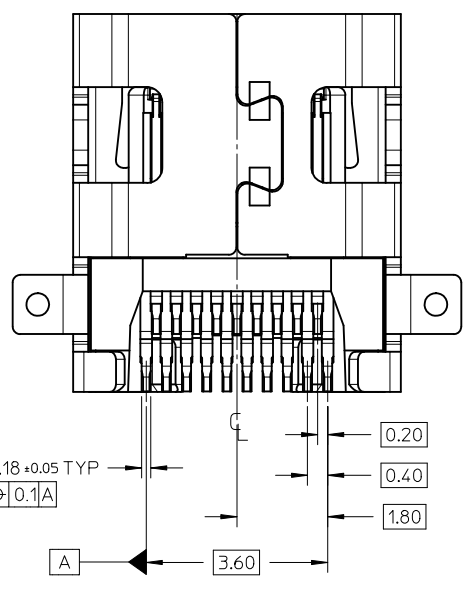


MICRO HDMI
HYBRID TYPE MOUNTING



NOTES:

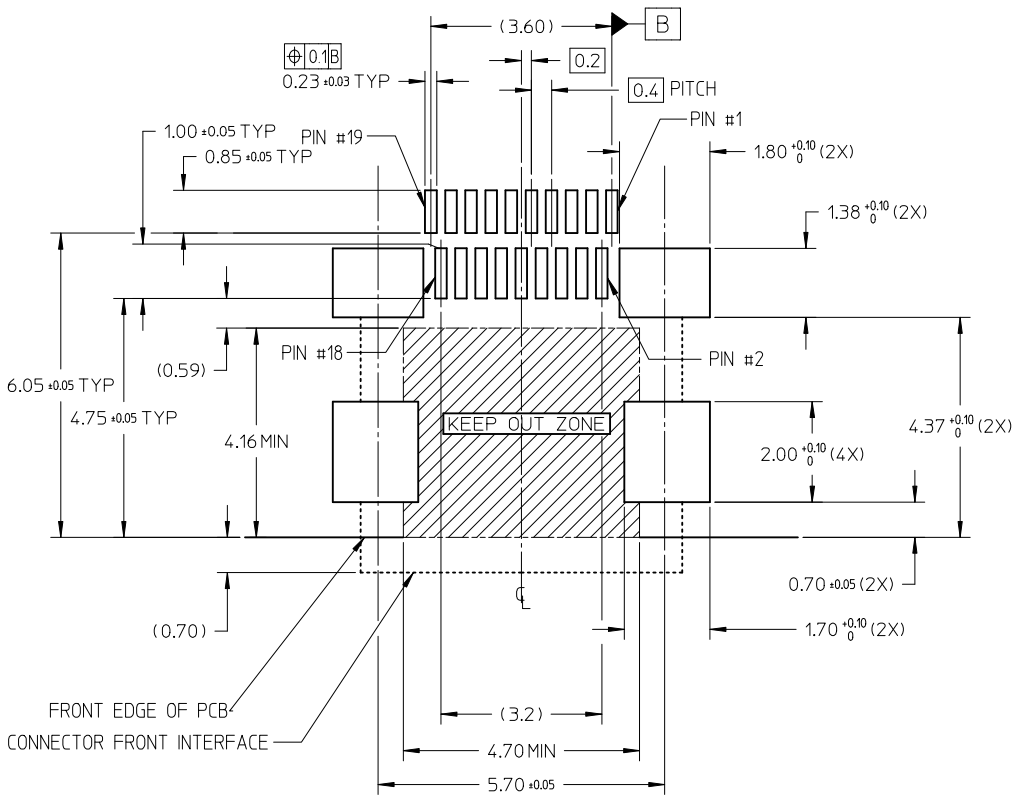
- MATERIALS:
HOUSING: LCP, 30% GLASS FILLED, UL94V-0
TERMINALS: COPPER ALLOY
SHIELD: STAINLESS STEEL
- FINISHES:
TERMINALS: GOLD ON CONTACT AREA (Refer Table),
0.05UM MIN GOLD FLASH ON SOLDER TAILS,
AND 2.0UM MIN NICKEL UNDERPLATE OVERALL
SHIELD: MATTE TIN (Refer Table) OVER 1.27UM MIN NICKEL
- PRODUCT SPECIFICATION: PS-46765-001
- PACKAGING SPECIFICATION: PACKED IN TAPE & REEL
- SEE SHEET 4 OF 5 FOR RECOMMENDED PCB LAYOUT
- TERMINAL SOLDER-TAIL COPLANARITY 0.08 MAX



DESCRIPTION	Contact: 0.764M Gold Min Shield: 3.84M Tin Min PART NUMBER	Contact: 0.384M Gold Min Shield: 2.04M Tin Min PART NUMBER
HYBRID TYPE+KAPTON TAPE	46765-2001	46765-2301
HYBRID TYPE+BLACK HOUSING+KAPTON TAPE	46765-2021	46765-2302
HYBRID TYPE	46765-2011	46765-2311
HYBRID TYPE+BLACK HSG	--	46765-2312

REV	DESCRIPTION	QUALITY SYMBOLS	GENERAL TOLERANCES (UNLESS SPECIFIED)		DIMENSION STYLE		SCALE	DESIGN UNITS	THIRD ANGLE PROJECTION
			mm	INCH	MM ONLY	NTS	METRIC		
4	PLACES	± ---	± ---	DRAWN BY	DATE	TITLE	<p>MICRO HDMI, TYPE-D 0.4MM PITCH, 19CKT RECEPTACLE CONNECTOR</p> <p>MOLEX INCORPORATED</p> <p>SD-46765-001</p>		
3	PLACES	± ---	± ---	CHKD BY	DATE				
2	PLACES	± 0.1	± ---	APPROVED BY	DATE				
1	PLACE	± ---	± ---	NAGESHKN	2010/11/19				
ANGULAR ± 2 °				MATERIAL NO.	DOCUMENT NO.				
DRAFT WHERE APPLICABLE MUST REMAIN WITHIN DIMENSIONS				SIZE	THIS DRAWING CONTAINS INFORMATION THAT IS PROPRIETARY TO MOLEX INCORPORATED AND SHOULD NOT BE USED WITHOUT WRITTEN PERMISSION			3 OF 5	

9 8 7 6 5 4 3 2 1



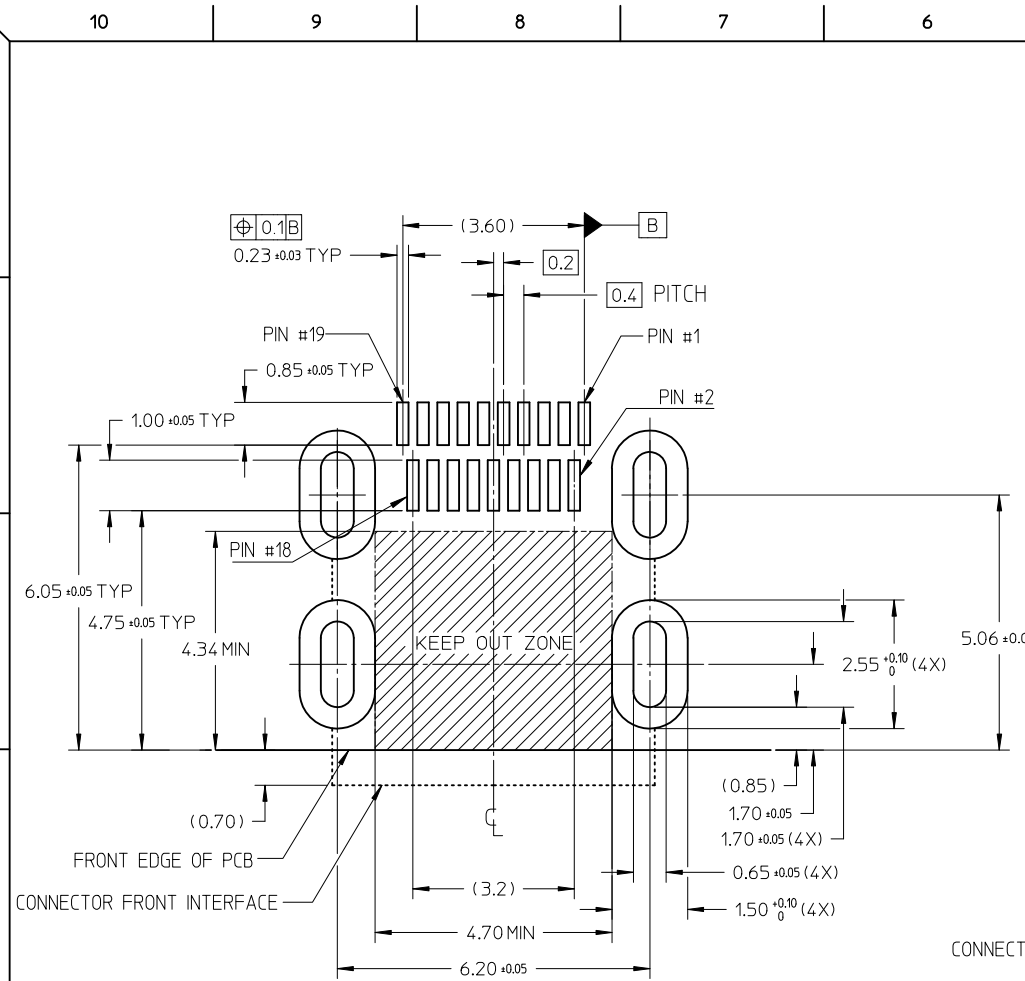
RECOMMENDED PCB LAYOUT

COMPONENT SIDE OF BOARD
SHEET 1 OF 5

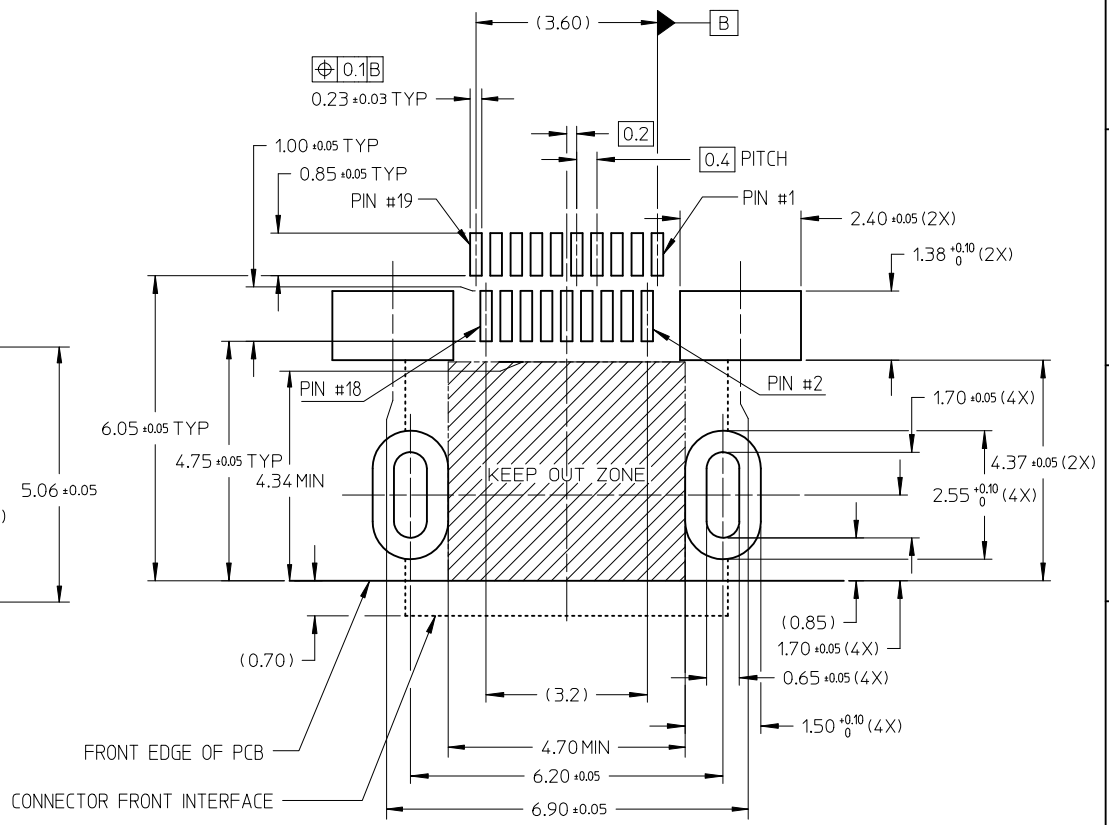
PIN	SIGNAL ASSIGNMENT
1	Hot Plug Detect
2	Utility
3	TMDS Data2+
4	TMDS Data2- Shield
5	TMDS Data2-
6	TMDS Data1+
7	TMDS Data1- Shield
8	TMDS Data1-
9	TMDS Data0+
10	TMDS Data0- Shield
11	TMDS Data0-
12	TMDS Clock+
13	TMDS Clock- Shield
14	TMDS Clock-
15	CEC
16	DDC/CEC Ground
17	SCL
18	SDA
19	+5V Power

CONNECTION	SIGNALS
	TYPE D CONNECTOR
FIRST MAKE	CONNECTOR SHELL
SECOND MAKE	PINS 1 - 18
THIRD MAKE	PIN 19 (+5V POWER)

RELEASED EC NO: S2012-0444 DRWN: CWANG25 CHKD: KJKOH APPR: NAGESHK N 2011/10/24 2011/12/02 2011/12/02	QUALITY SYMBOLS ▽=0 Ⓢ=0	GENERAL TOLERANCES (UNLESS SPECIFIED)		DIMENSION STYLE MM ONLY		SCALE NTS	DESIGN UNITS METRIC	THIRD ANGLE PROJECTION		
				mm	INCH	DRAWN BY MKAMARAU	DATE 2008/10/14	TITLE MICRO HDMI, TYPE-D 0.4MM PITCH, 19CKT RECEPTACLE CONNECTOR		
		4 PLACES	± ---	± ---		CHECKED BY MKAMARAU	DATE 2008/10/14	MOLEX INCORPORATED		
		3 PLACES	± ---	± ---		APPROVED BY NAGESHK N	DATE 2010/11/19	DOCUMENT NO. SD-46765-001	SHEET NO. 4 OF 5	
2 PLACES	± 0.1	± ---		ANGULAR ± 2 °		SEE TABLE				
1 PLACE	± ---	± ---		DRAFT WHERE APPLICABLE MUST REMAIN WITHIN DIMENSIONS		THIS DRAWING CONTAINS INFORMATION THAT IS PROPRIETARY TO MOLEX INCORPORATED AND SHOULD NOT BE USED WITHOUT WRITTEN PERMISSION				



RECOMMENDED PCB LAYOUT
COMPONENT SIDE OF BOARD
SHEET 2 OF 5



RECOMMENDED PCB LAYOUT
COMPONENT SIDE OF BOARD
SHEET 3 OF 5

RELEASED EC NO: S2012-0444 DRWN: CWANG25 CHKD: KJKOH APPR: NAGESHKN	DESCRIPTION 2011/10/24 2011/12/02 2011/12/02	QUALITY SYMBOLS	GENERAL TOLERANCES (UNLESS SPECIFIED)		DIMENSION STYLE		SCALE	DESIGN UNITS	THIRD ANGLE PROJECTION		
		$\nabla = 0$ $\square = 0$	mm	INCH	MM ONLY		NTS	METRIC			
		4 PLACES	± ---	± ---	DRAWN BY	DATE	TITLE				
		3 PLACES	± ---	± ---	MKAMARAU	2008/10/14	MICRO HDMI, TYPE-D 0.4MM PITCH, 19CKT RECEPTACLE CONNECTOR				
2 PLACES	± 0.1	± ---	CHECKED BY	DATE	MOLEX INCORPORATED						
1 PLACE	± ---	± ---	APPROVED BY	DATE						MATERIAL NO. SD-46765-001 SHEET NO. 5 OF 5	
ANGULAR ± 2 °			DRAFT WHERE APPLICABLE MUST REMAIN WITHIN DIMENSIONS		SEE TABLE		THIS DRAWING CONTAINS INFORMATION THAT IS PROPRIETARY TO MOLEX INCORPORATED AND SHOULD NOT BE USED WITHOUT WRITTEN PERMISSION				



Компания «ЭлектроПласт» предлагает заключение долгосрочных отношений при поставках импортных электронных компонентов на взаимовыгодных условиях!

Наши преимущества:

- Оперативные поставки широкого спектра электронных компонентов отечественного и импортного производства напрямую от производителей и с крупнейших мировых складов;
- Поставка более 17-ти миллионов наименований электронных компонентов;
- Поставка сложных, дефицитных, либо снятых с производства позиций;
- Оперативные сроки поставки под заказ (от 5 рабочих дней);
- Экспресс доставка в любую точку России;
- Техническая поддержка проекта, помощь в подборе аналогов, поставка прототипов;
- Система менеджмента качества сертифицирована по Международному стандарту ISO 9001;
- Лицензия ФСБ на осуществление работ с использованием сведений, составляющих государственную тайну;
- Поставка специализированных компонентов (Xilinx, Altera, Analog Devices, Intersil, Interpoint, Microsemi, Aeroflex, Peregrine, Syfer, Eurofarad, Texas Instrument, Miteq, Cobham, E2V, MA-COM, Hittite, Mini-Circuits, General Dynamics и др.);

Помимо этого, одним из направлений компании «ЭлектроПласт» является направление «Источники питания». Мы предлагаем Вам помощь Конструкторского отдела:

- Подбор оптимального решения, техническое обоснование при выборе компонента;
- Подбор аналогов;
- Консультации по применению компонента;
- Поставка образцов и прототипов;
- Техническая поддержка проекта;
- Защита от снятия компонента с производства.



Как с нами связаться

Телефон: 8 (812) 309 58 32 (многоканальный)

Факс: 8 (812) 320-02-42

Электронная почта: org@eplast1.ru

Адрес: 198099, г. Санкт-Петербург, ул. Калинина, дом 2, корпус 4, литера А.