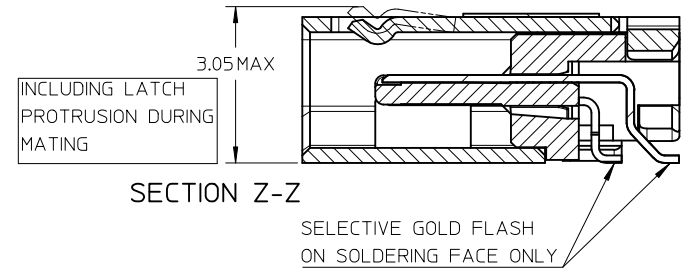
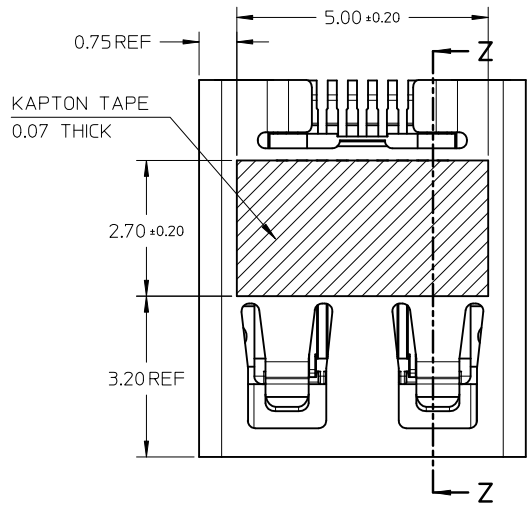
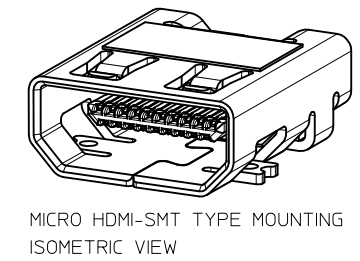
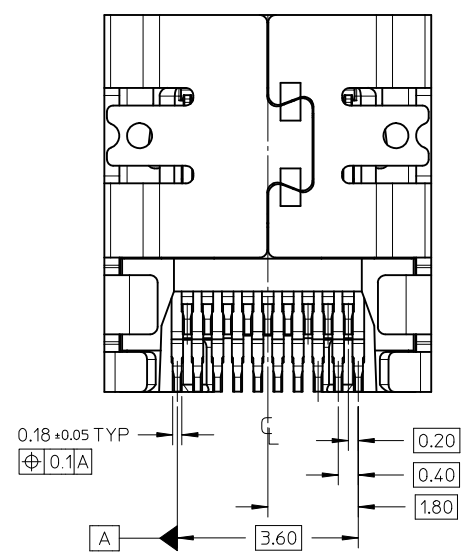


D	PG4/5,modify keepout zone.pg1,2,3/5 add blackhsg p/n	28.Nov.2011
REV NO	DESCRIPTION	DATE

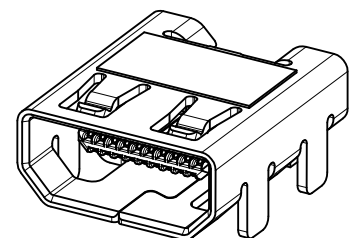
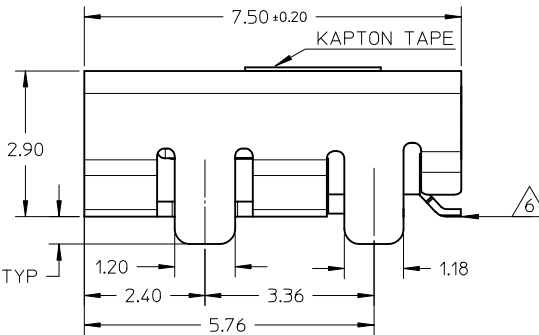
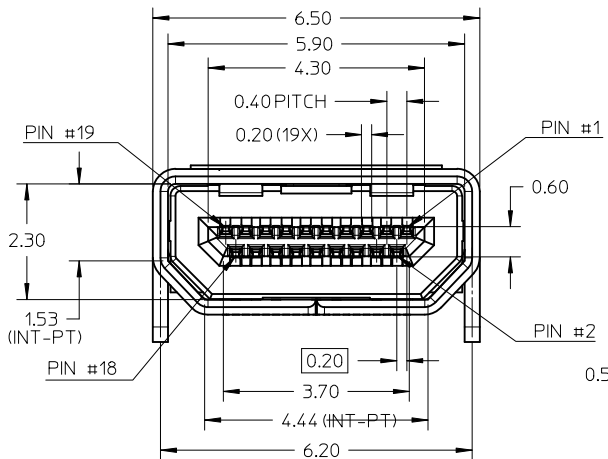


- NOTES:
- MATERIALS:  
HOUSING: LCP, 30% GLASS FILLED, UL94V-0  
TERMINALS: COPPER ALLOY  
SHIELD: STAINLESS STEEL
  - FINISHES:  
TERMINALS: GOLD ON CONTACT AREA (Refer Table),  
0.05UM MIN GOLD FLASH ON SOLDER TAILS,  
AND 2.0UM MIN NICKEL UNDERPLATE OVERALL  
SHIELD: MATTE TIN (Refer Table) OVER 1.27UM MIN NICKEL
  - PRODUCT SPECIFICATION: PS-46765-001
  - PACKAGING SPECIFICATION: PACKED IN TAPE & REEL
  - SEE SHEET 4 OF 5 FOR RECOMMENDED PCB LAYOUT
  - TERMINAL SOLDER-TAIL COPLANARITY 0.08 MAX

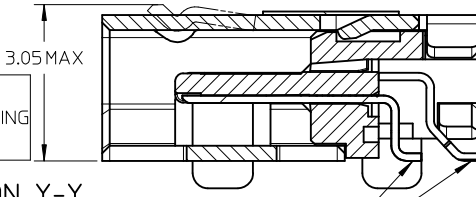


DESCRIPTION	Contact: 0.76µM Gold Min Shield: 3.8µM Tin Min PART NUMBER	Contact: 0.38µM Gold Min Shield: 2.0µM Tin Min PART NUMBER
SMT TYPE+KAPTON TAPE	46765-0001	46765-0301
SMT TYPE+BLACK HSG+KAPTON TAPE	--	46765-0302
SMT TYPE	46765-0011	46765-0311
SMT TYPE+BLACK HSG	--	46765-0312

RELEASED EC NO: S2012-0444 DRWN: CWANG25 2011/10/24 CH'K'D: JKOH 2011/12/02 APPR: NAGESHKN 2011/12/02	QUALITY SYMBOLS ▽=0 ▽=0	GENERAL TOLERANCES (UNLESS SPECIFIED)		DIMENSION STYLE <b>MM ONLY</b>	SCALE <b>NTS</b>	DESIGN UNITS <b>METRIC</b>	THIRD ANGLE PROJECTION
		4 PLACES ± --- ± --- 3 PLACES ± --- ± --- 2 PLACES ± 0.1 ± --- 1 PLACE ± --- ± --- ANGULAR ± 2 °	mm INCH DRAWN BY: MKAMARAU CHECKED BY: MKAMARAU APPROVED BY: NAGESHKN MATERIAL NO.	DATE: 2008/10/14 DATE: 2008/10/14 DATE: 2010/11/19	TITLE <b>MICRO HDMI, TYPE-D          0.4MM PITCH, 19CKT          RECEPTACLE CONNECTOR</b>	<b>MOLEX</b> MOLEX INCORPORATED	DOCUMENT NO. <b>SD-46765-001</b>
DRAFT WHERE APPLICABLE MUST REMAIN WITHIN DIMENSIONS	SIZE <b>A3</b>	THIS DRAWING CONTAINS INFORMATION THAT IS PROPRIETARY TO MOLEX INCORPORATED AND SHOULD NOT BE USED WITHOUT WRITTEN PERMISSION					



MICRO HDMI-THRU HOLE TYPE MOUNTING ISOMETRIC VIEW

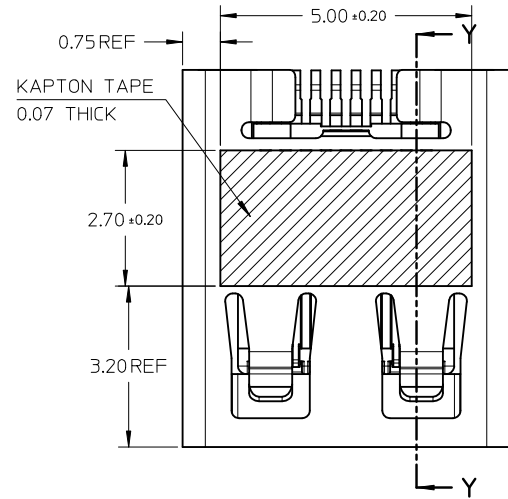
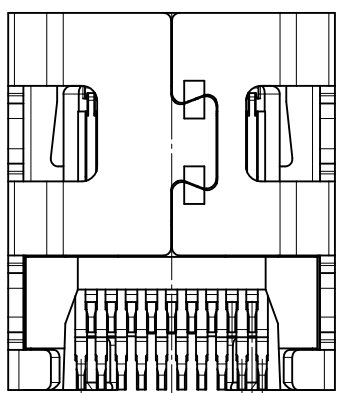


SECTION Y-Y

SELECTIVE GOLD FLASH ON SOLDERING FACE ONLY

NOTES:

1. MATERIALS:  
HOUSING: LCP, 30% GLASS FILLED, UL94V-0  
TERMINALS: COPPER ALLOY  
SHIELD: STAINLESS STEEL
2. FINISHES:  
TERMINALS: GOLD ON CONTACT AREA (Refer Table),  
0.05UM MIN GOLD FLASH ON SOLDER TAILS,  
AND 2.0UM MIN NICKEL UNDERPLATE OVERALL  
SHIELD: MATTE TIN (Refer Table) OVER 1.27UM MIN NICKEL
3. PRODUCT SPECIFICATION: PS-46765-001
4. PACKAGING SPECIFICATION: PACKED IN TAPE & REEL
5. SEE SHEET 4 OF 5 FOR RECOMMENDED PCB LAYOUT
6. TERMINAL SOLDER-TAIL COPLANARITY 0.08 MAX



DESCRIPTION	Contact: 0.76µM Gold Min Shield: 3.8µM Tin Min	Contact: 0.38µM Gold Min Shield: 2.0µM Tin Min
THRU HOLE TYPE+KAPTON TAPE	46765-1001	46765-1301
THRU HOLE TYPE+BLACK HSG+KAPTON TAPE	--	46765-1302
THRU HOLE TYPE	46765-1011	46765-1311
THRU HOLE TYPE+BLACK HSG	--	46765-1312

RELEASED  
EC NO: S2012-0444  
DRWN: CWANG25  
CHKD: JKOH  
APPR: NAGESHK N  
2011/10/24  
2011/12/02  
2011/12/02

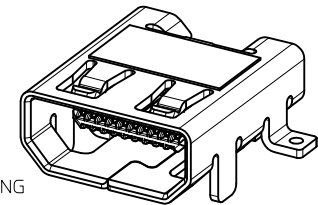
QUALITY SYMBOLS  
▽=0  
◻=0

GENERAL TOLERANCES (UNLESS SPECIFIED)	4 PLACES	± ---	± ---
	3 PLACES	± ---	± ---
	2 PLACES	± 0.1	± ---
	1 PLACE	± ---	± ---
	ANGULAR		± 2 °
DRAFT WHERE APPLICABLE MUST REMAIN WITHIN DIMENSIONS			

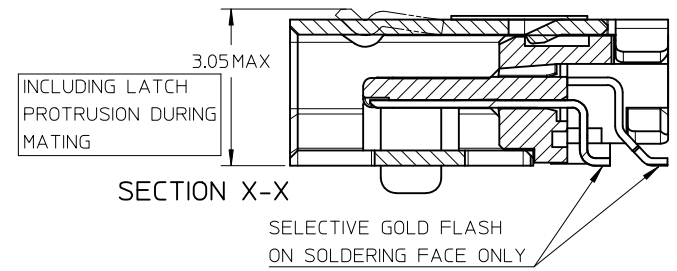
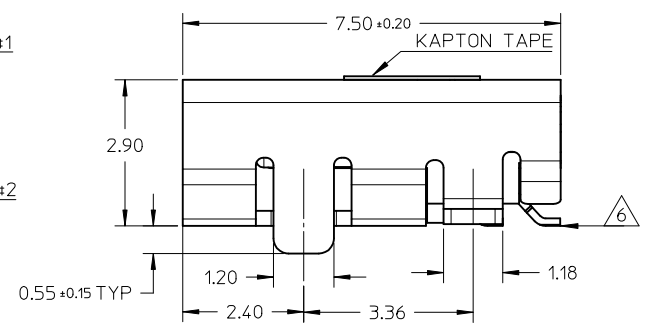
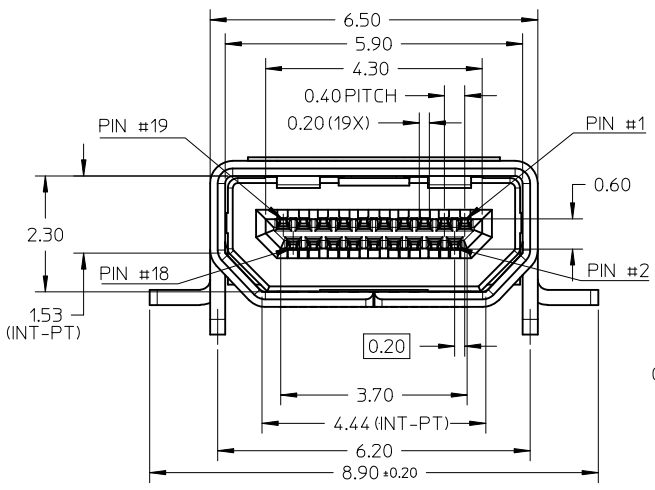
DIMENSION STYLE		SCALE		DESIGN UNITS	THIRD ANGLE PROJECTION
MM ONLY		NTS		METRIC	
DRAWN BY	DATE	TITLE			
MKAMARAU	2008/10/14	MICRO HDMI, TYPE-D			
CHECKED BY	DATE	0.4MM PITCH, 19CKT			
MKAMARAU	2008/10/14	RECEPTACLE CONNECTOR			
APPROVED BY	DATE	MOLEX INCORPORATED			
NAGESHK N	2010/11/19	SD-46765-001			
MATERIAL NO.	DOCUMENT NO.	SHEET NO.			
SEE TABLE		2 OF 5			

DRAWN BY		DATE		TITLE	
DATE		DATE		TITLE	
APPROVED BY		DATE		TITLE	
DATE		DATE		TITLE	
MATERIAL NO.		DOCUMENT NO.		SHEET NO.	
DATE		DATE		TITLE	
DATE		DATE		TITLE	

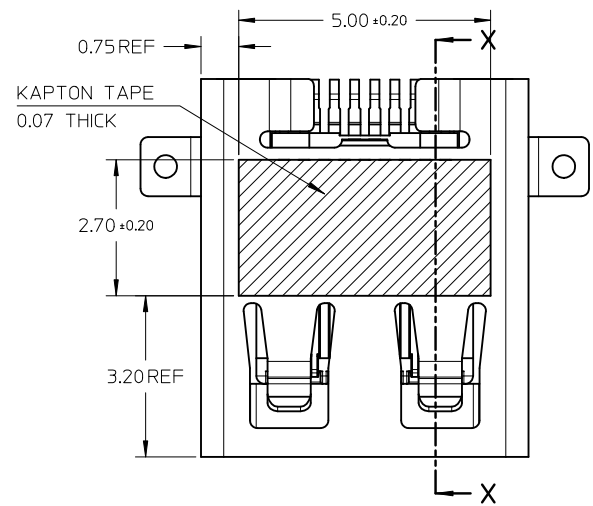
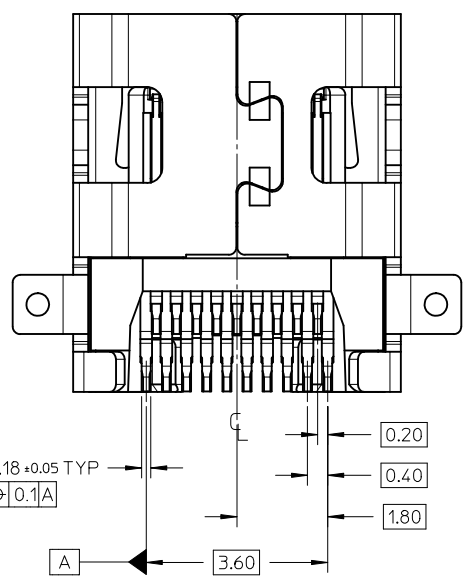
10 9 8 7 6 5 4 3 2 1



MICRO HDMI  
HYBRID TYPE MOUNTING



- NOTES:
- MATERIALS:  
HOUSING: LCP, 30% GLASS FILLED, UL94V-0  
TERMINALS: COPPER ALLOY  
SHIELD: STAINLESS STEEL
  - FINISHES:  
TERMINALS: GOLD ON CONTACT AREA (Refer Table),  
0.05UM MIN GOLD FLASH ON SOLDER TAILS,  
AND 2.0UM MIN NICKEL UNDERPLATE OVERALL  
SHIELD: MATTE TIN (Refer Table) OVER 1.27UM MIN NICKEL
  - PRODUCT SPECIFICATION: PS-46765-001
  - PACKAGING SPECIFICATION: PACKED IN TAPE & REEL
  - SEE SHEET 4 OF 5 FOR RECOMMENDED PCB LAYOUT
  - TERMINAL SOLDER-TAIL COPLANARITY 0.08 MAX



DESCRIPTION	Contact: 0.764M Gold Min Shield: 3.84M Tin Min PART NUMBER	Contact: 0.384M Gold Min Shield: 2.04M Tin Min PART NUMBER
HYBRID TYPE+KAPTON TAPE	46765-2001	46765-2301
HYBRID TYPE+BLACK HOUSING+KAPTON TAPE	46765-2021	46765-2302
HYBRID TYPE	46765-2011	46765-2311
HYBRID TYPE+BLACK HSG	--	46765-2312

RELEASED EC NO: S2012-0444 DRWN: CWANG25 2011/10/24 CHYKDKJKOH 2011/12/02 APPR: NAGESHKIN 2011/12/02	QUALITY SYMBOLS	GENERAL TOLERANCES (UNLESS SPECIFIED)	DIMENSION STYLE	SCALE	DESIGN UNITS	THIRD ANGLE PROJECTION
	▼ = 0 ◻ = 0	mm    INCH 4 PLACES ± --- ± --- 3 PLACES ± --- ± --- 2 PLACES ± 0.1 ± --- 1 PLACE ± --- ± --- ANGULAR ± 2 °	MM ONLY	NTS	METRIC	
	DESCRIPTION	DRAFT WHERE APPLICABLE MUST REMAIN WITHIN DIMENSIONS	DRAWN BY DATE	TITLE		
	REV		CHECKED BY DATE			
			APPROVED BY DATE			
			MATERIAL NO.	DOCUMENT NO.	SHEET NO.	
			SEE TABLE		3 OF 5	

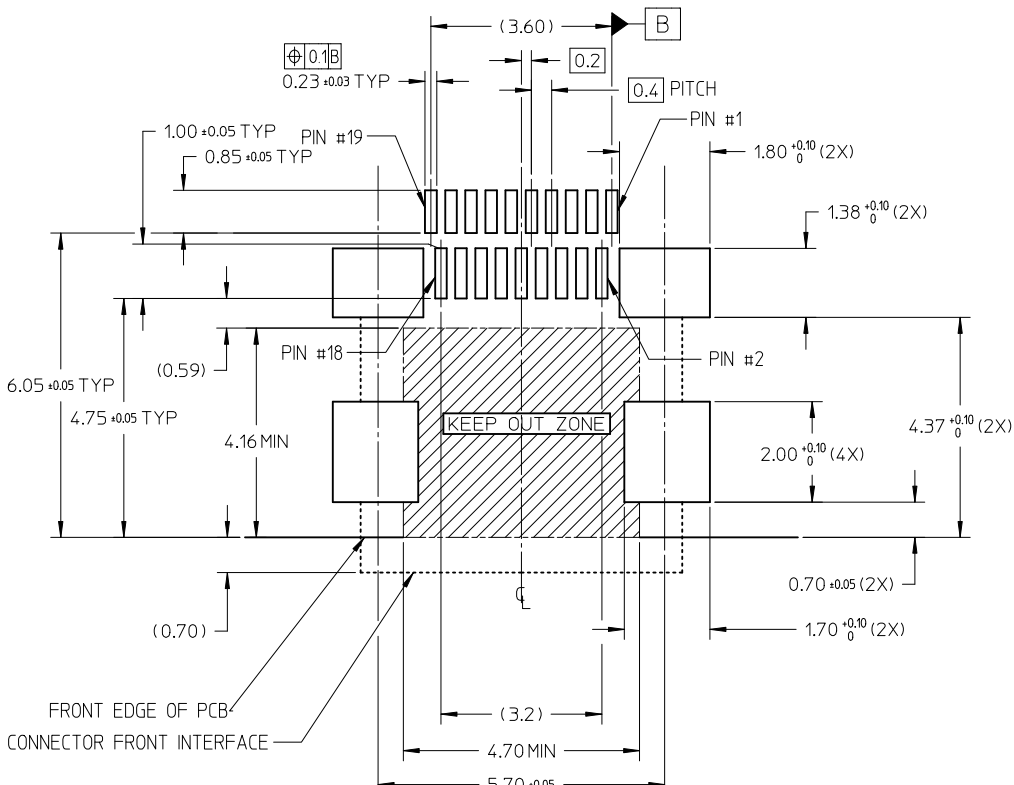
MICRO HDMI, TYPE-D  
0.4MM PITCH, 19CKT  
RECEPTACLE CONNECTOR

**MOLEX INCORPORATED**

SD-46765-001

THIS DRAWING CONTAINS INFORMATION THAT IS PROPRIETARY TO MOLEX INCORPORATED AND SHOULD NOT BE USED WITHOUT WRITTEN PERMISSION

9 8 7 6 5 4 3 2 1

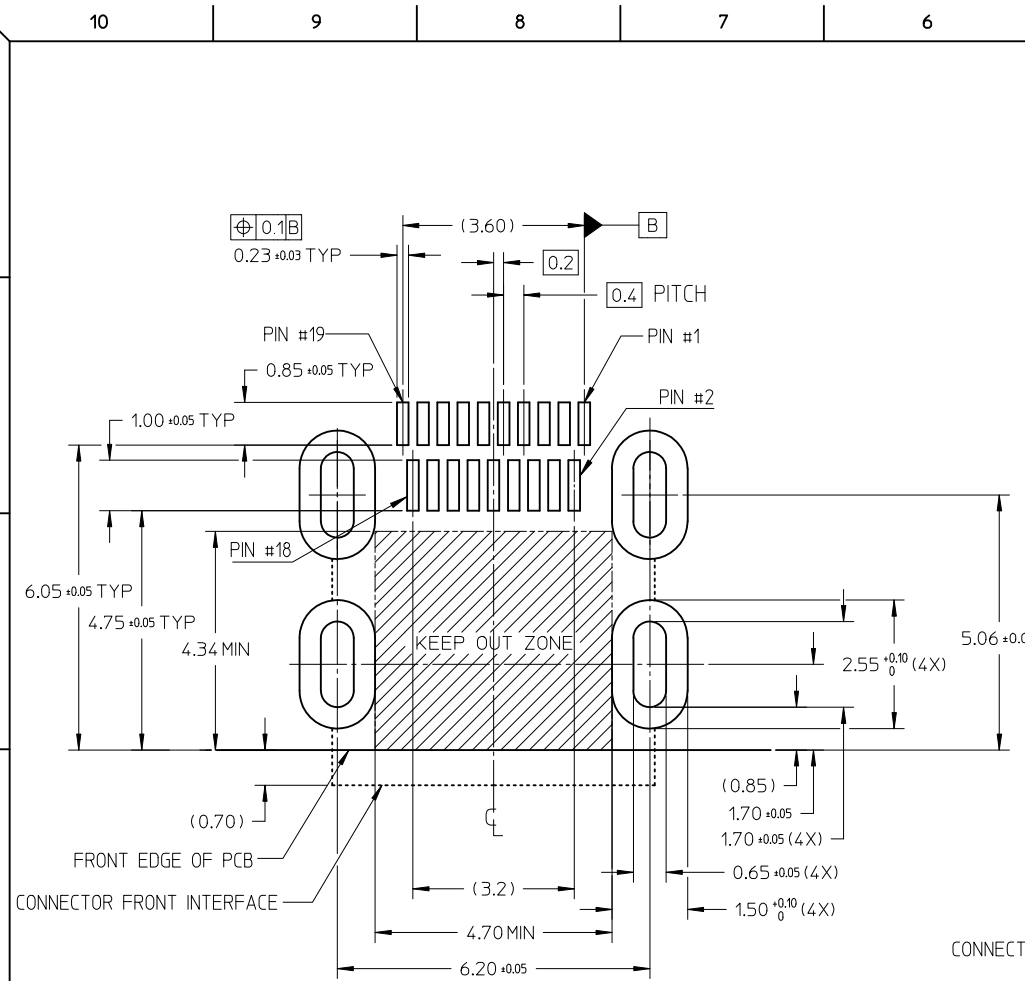


RECOMMENDED PCB LAYOUT  
 COMPONENT SIDE OF BOARD  
 SHEET 1 OF 5

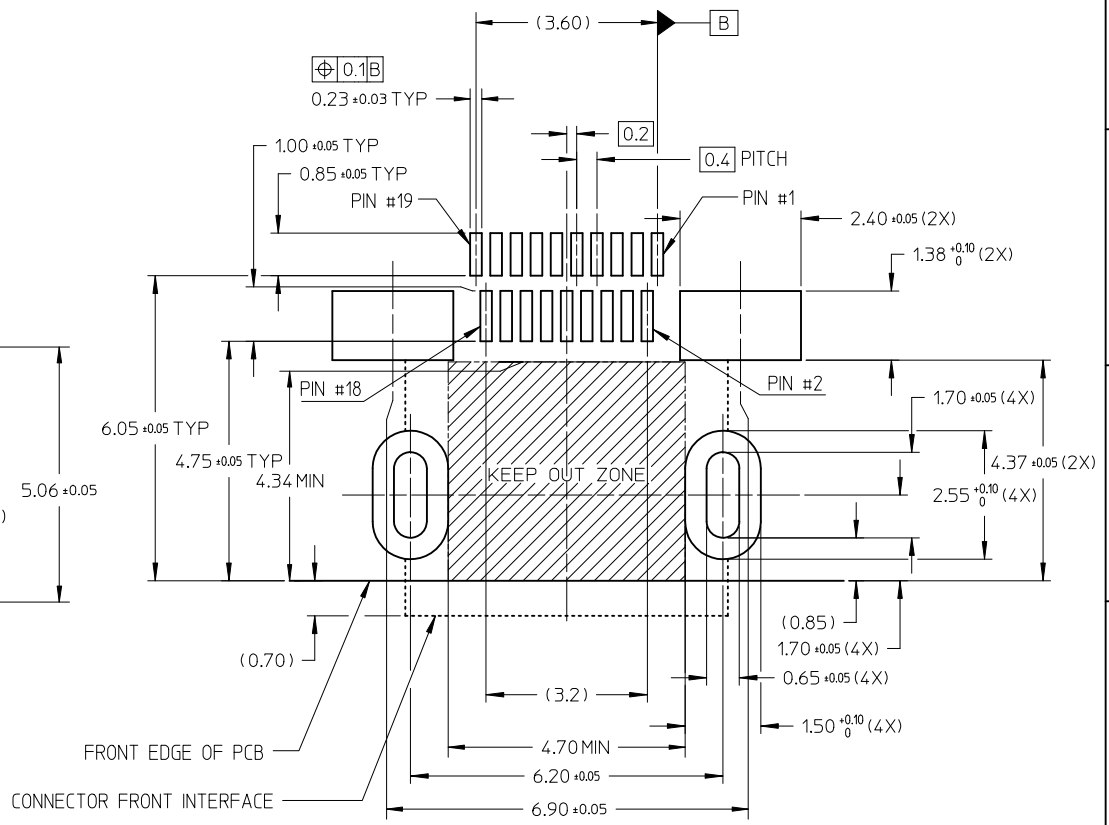
PIN	SIGNAL ASSIGNMENT
1	Hot Plug Detect
2	Utility
3	TMDS Data2+
4	TMDS Data2- Shield
5	TMDS Data2-
6	TMDS Data1+
7	TMDS Data1- Shield
8	TMDS Data1-
9	TMDS Data0+
10	TMDS Data0- Shield
11	TMDS Data0-
12	TMDS Clock+
13	TMDS Clock- Shield
14	TMDS Clock-
15	CEC
16	DDC/CEC Ground
17	SCL
18	SDA
19	+5V Power

CONNECTION	SIGNALS
	TYPE D CONNECTOR
FIRST MAKE	CONNECTOR SHELL
SECOND MAKE	PINS 1 - 18
THIRD MAKE	PIN 19 (+5V POWER)

RELEASED EC NO: S2012-0444 DRWN: CWANG25 CHKD: KJKOH APPR: NAGESHKN	2011/10/24 2011/12/02 2011/12/02	DESCRIPTION REV	QUALITY SYMBOLS ▽=0 ⊕=0	GENERAL TOLERANCES (UNLESS SPECIFIED)		DIMENSION STYLE MM ONLY		SCALE NTS	DESIGN UNITS METRIC	THIRD ANGLE PROJECTION			
						mm	INCH	DRAWN BY	DATE	TITLE			
				4 PLACES	± ---	± ---	MKAMARAU	2008/10/14	MICRO HDMI, TYPE-D 0.4MM PITCH, 19CKT RECEPTACLE CONNECTOR				
				3 PLACES	± ---	± ---	CHECKED BY	DATE					
2 PLACES	± 0.1	± ---	MKAMARAU	2008/10/14	MOLEX INCORPORATED								
1 PLACE	± ---	± ---	APPROVED BY	DATE									
ANGULAR ± 2 °				NAGESHKN	2010/11/19	DOCUMENT NO.		SHEET NO.					
DRAFT WHERE APPLICABLE MUST REMAIN WITHIN DIMENSIONS				SEE TABLE		SD-46765-001		4 OF 5					
				SIZE	THIS DRAWING CONTAINS INFORMATION THAT IS PROPRIETARY TO MOLEX INCORPORATED AND SHOULD NOT BE USED WITHOUT WRITTEN PERMISSION								



RECOMMENDED PCB LAYOUT  
COMPONENT SIDE OF BOARD  
SHEET 2 OF 5



RECOMMENDED PCB LAYOUT  
COMPONENT SIDE OF BOARD  
SHEET 3 OF 5

<b>RELEASED</b> EC NO: S2012-0444 DRWN: CWANG25 2011/10/24 CHKD: KJKOH 2011/12/02 APPR: NAGESHKN 2011/12/02	DESCRIPTION MICRO HDMI, TYPE-D 0.4MM PITCH, 19CKT RECEPTACLE CONNECTOR	QUALITY SYMBOLS ▽=0 ◻=0		GENERAL TOLERANCES (UNLESS SPECIFIED)		DIMENSION STYLE <b>MM ONLY</b>		SCALE NTS	DESIGN UNITS METRIC	THIRD ANGLE PROJECTION		
				mm	INCH	DRAWN BY	DATE	TITLE				
		4 PLACES		± ---	± ---	MKAMARAU	2008/10/14	MICRO HDMI, TYPE-D				
		3 PLACES		± ---	± ---			0.4MM PITCH, 19CKT				
2 PLACES		± 0.1	± ---	MKAMARAU	2008/10/14	RECEPTACLE CONNECTOR						
1 PLACE		± ---	± ---			MOLEX INCORPORATED						
		ANGULAR ± 2 °		APPROVED BY	DATE	MATERIAL NO.		DOCUMENT NO.				
				NAGESHKN	2010/11/19	SEE TABLE		SD-46765-001				
DRAFT WHERE APPLICABLE MUST REMAIN WITHIN DIMENSIONS				SIZE		THIS DRAWING CONTAINS INFORMATION THAT IS PROPRIETARY TO MOLEX INCORPORATED AND SHOULD NOT BE USED WITHOUT WRITTEN PERMISSION						
				A3		SHEET NO. 5 OF 5						



Компания «ЭлектроПласт» предлагает заключение долгосрочных отношений при поставках импортных электронных компонентов на взаимовыгодных условиях!

Наши преимущества:

- Оперативные поставки широкого спектра электронных компонентов отечественного и импортного производства напрямую от производителей и с крупнейших мировых складов;
- Поставка более 17-ти миллионов наименований электронных компонентов;
- Поставка сложных, дефицитных, либо снятых с производства позиций;
- Оперативные сроки поставки под заказ (от 5 рабочих дней);
- Экспресс доставка в любую точку России;
- Техническая поддержка проекта, помощь в подборе аналогов, поставка прототипов;
- Система менеджмента качества сертифицирована по Международному стандарту ISO 9001;
- Лицензия ФСБ на осуществление работ с использованием сведений, составляющих государственную тайну;
- Поставка специализированных компонентов (Xilinx, Altera, Analog Devices, Intersil, Interpoint, Microsemi, Aeroflex, Peregrine, Syfer, Eurofarad, Texas Instrument, Miteq, Cobham, E2V, MA-COM, Hittite, Mini-Circuits, General Dynamics и др.);

Помимо этого, одним из направлений компании «ЭлектроПласт» является направление «Источники питания». Мы предлагаем Вам помощь Конструкторского отдела:

- Подбор оптимального решения, техническое обоснование при выборе компонента;
- Подбор аналогов;
- Консультации по применению компонента;
- Поставка образцов и прототипов;
- Техническая поддержка проекта;
- Защита от снятия компонента с производства.



#### Как с нами связаться

**Телефон:** 8 (812) 309 58 32 (многоканальный)

**Факс:** 8 (812) 320-02-42

**Электронная почта:** [org@eplast1.ru](mailto:org@eplast1.ru)

**Адрес:** 198099, г. Санкт-Петербург, ул. Калинина, дом 2, корпус 4, литера А.