

**DESCRIPTION**

The GC4700 series diodes are specially processed PIN diodes designed for use in passive or active limiters at frequencies through Ku band. Thirteen categories of devices are offered for flexibility in design of low, medium and high power limiters. Low VB limiters have thinner I regions for faster turn-on time and better flat leakage. Microsemi also manufactures “gold doped” limiters for fastest turn on time. In addition, we manufacture high voltage dual junction limiters for superior peak and CW power handling.

This series of diodes meets RoHS requirements per EU Directive 2002/95/EC.

**KEY FEATURES**

- Available as packaged devices or as chips for hybrid applications
- Low Loss
- Suitable for applications to 18GHz
- Excellent flat leakage performance
- Low 1 dB compression point
- Gold Doped Diodes for Fast Turn On
- RoHS Compliant<sup>1</sup>

<sup>1</sup> Most of our devices are supplied with Gold plated terminations. Other terminal finishes are available on request. Consult factory for details.

**APPLICATIONS**

A diode limiter is a power-sensitive variable attenuator that uses the non-linear properties of the diode to provide an impedance mismatch when sufficient amounts of RF power are incident on the device. The output power is reduced to a level that will not overdrive a receiver, burn out a mixer, etc. For varying input power levels in excess of the diode’s threshold level, the limiter’s output power tends to remain constant.

A passive limiter is one in which the limiter diodes are “turned on” by the RF signal itself. An active limiter is one in which the limiter diodes are “turned on” primarily by an external bias current typically supplied by a Schottky detector diode which senses the incident signal.

Since limiter diodes are not designed to dissipate large amounts of power, the limiter must reflect or divert the excess incident power back to the source or to another load (i.e. via a circulator, hybrid coupler, etc.).

Limiter diodes may be used in wave guides, coax, microstrip, stripline or other media. Single or cascaded devices may be used, depending on power levels.

**APPLICATIONS/BENEFITS**

- Receiver protection circuits
- Amplifier Protection

**ABSOLUTE MAXIMUM RATINGS AT 25° C  
(UNLESS OTHERWISE SPECIFIED)**

| Rating  | Symbol           | Value       | Unit |
|---|------------------|-------------|------|
| Maximum Leakage Current<br>@80% of minimum Rated Vb | I <sub>r</sub>   | 0.5         | uA   |
| Operating Temperature                               | T <sub>op</sub>  | -55 to +150 | °C   |
| Storage Temperature                                 | T <sub>stg</sub> | -65 to +150 | °C   |

**IMPORTANT:** For the most current data, consult our website: [www.MICROSEMI.com](http://www.MICROSEMI.com)



These devices are ESD sensitive and must be handled using ESD precautions.

**CHIP ELECTRICAL PARAMETERS @ 25°C (unless otherwise specified)**

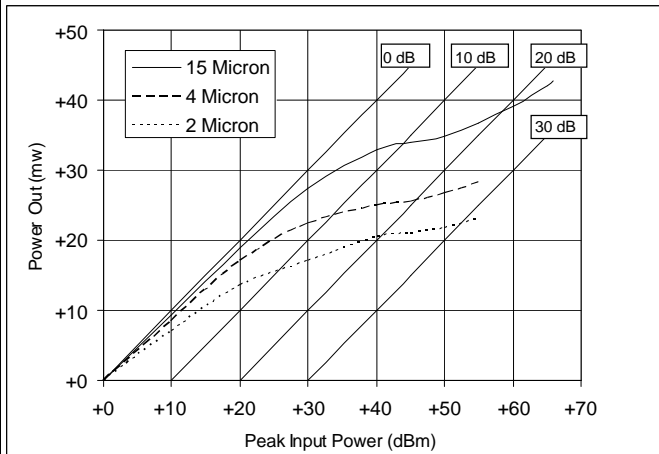
| Model #                   | V <sub>b</sub><br>(Min)         | C <sub>j0</sub><br>(Typ) | C <sub>j-6</sub><br>(Max) | C <sub>j-50</sub><br>(Max) | R <sub>s</sub><br>(Typ) | T <sub>L</sub><br>(Typ) | θP <sup>1</sup><br>(Typ)        | θP <sup>2</sup><br>(Max)        |
|---------------------------|---------------------------------|--------------------------|---------------------------|----------------------------|-------------------------|-------------------------|---------------------------------|---------------------------------|
|                           | I <sub>R</sub> =10μA<br>(Volts) | @0V<br>(pF)              | @-6V<br>(pF)              | @-50V<br>(pF)              | @10 mA<br>(Ω)           | (ns)                    | THERMAL<br>RESISTANCE<br>(°C/W) | THERMAL<br>RESISTANCE<br>(°C/W) |
| GC4701-00                 | 20                              | 0.20                     | 0.15                      | --                         | 1.5                     | 5                       | 20                              | 100                             |
| GC4702-00                 | 20                              | 0.50                     | 0.30                      | --                         | 1.2                     | 10                      | 12                              | 80                              |
| GC4711-00                 | 45                              | 0.20                     | 0.15                      | --                         | 1.5                     | 10                      | 15                              | 80                              |
| GC4712-00                 | 45                              | 0.50                     | 0.30                      | --                         | 1.2                     | 15                      | 10                              | 60                              |
| GC4713-00                 | 45                              | 0.70                     | 0.50                      | --                         | 1.0                     | 20                      | 6                               | 40                              |
| GC4721-00                 | 120                             | 0.20                     | 0.15                      | --                         | 1.5                     | 50                      | 1.2                             | 40                              |
| GC4722-00                 | 120                             | 0.60                     | 0.30                      | --                         | 1.0                     | 50                      | 0.5                             | 20                              |
| GC4723-00                 | 120                             | 0.80                     | 0.50                      | --                         | 0.5                     | 100                     | 0.3                             | 15                              |
| GC4731-00                 | 15                              | 0.12                     | 0.10                      | --                         | 2.0                     | 5                       | 30                              | 120                             |
| GC4732-00                 | 15                              | 0.20                     | 0.15                      | --                         | 1.5                     | 5                       | 20                              | 80                              |
| GC4741-00                 | 30                              | 0.12                     | 0.10                      | --                         | 2.0                     | 7                       | 20                              | 100                             |
| GC4742-00                 | 30                              | 0.20                     | 0.15                      | --                         | 1.5                     | 7                       | 15                              | 70                              |
| GC4750-002 <sup>(3)</sup> | 250                             | --                       | --                        | 0.25 <sup>(4)</sup>        | 3.0@50mA                | 300                     | 4                               | 10                              |

**TYPICAL RF PERFORMANCE @ 25°C (unless otherwise specified)**

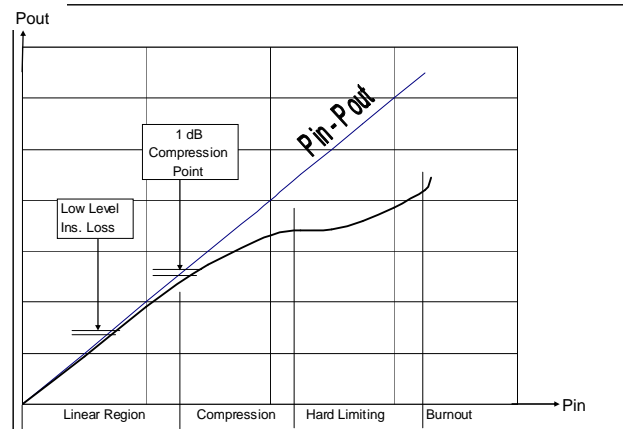
| Model Number | V <sub>b</sub><br>(Min) | PEAK POWER<br>P <sub>IN</sub><br>@ 1 μ S<br>(dBm) | TYPICAL<br>LEAKAGE<br>P <sub>OUT</sub><br>(dBm) | TYPICAL<br>THRESHOLD<br>(dBm) | TYPICAL<br>INS. LOSS<br>L <sub>L</sub><br>(dB) | MAXIMUM<br>CW POWER<br>(Watts) |
|--------------|-------------------------|---|---|-------------------------------|--|--------------------------------|
| GC4701       | 20                      | +50   | +22   | +10                           | 0.1  | 2                              |
| GC4702       | 20                      | +53   | +24   | +10                           | 0.2  | 3                              |
| GC4711       | 45                      | +53   | +27   | +15                           | 0.1  | 3                              |
| GC4712       | 45                      | +56   | +29   | +15                           | 0.2  | 4                              |
| GC4713       | 45                      | +59   | +31   | +15                           | 0.2  | 5                              |
| GC4721       | 120                     | +60   | +39   | +20                           | 0.1  | 5                              |
| GC4722       | 120                     | +63   | +41   | +20                           | 0.2  | 10                             |
| GC4723       | 120                     | +66   | +44   | +20                           | 0.2  | 15                             |
| GC4731       | 15                      | +47   | +19   | +7                            | 0.1  | 2                              |
| GC4732       | 15                      | +50   | +22   | +4                            | 0.1  | 3                              |
| GC4741       | 30                      | +47   | +24   | +12                           | 0.1  | 3                              |
| GC4742       | 30                      | +50   | +27   | +12                           | 0.1  | 4                              |
| GC4750       | 250                     | +56 @10uS   | +44   | +31                           | 0.2  | 50                             |

## Notes

- 1) Pulse length 1 microsecond.
- 2) As measured in style 30 package
- 3) Available in 002 style or 115-2 package styles
- 4) C<sub>J</sub> for 2 junctions in parallel @ V<sub>R</sub>=50V

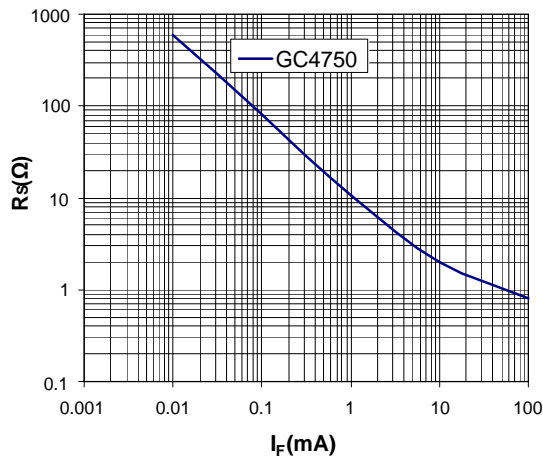
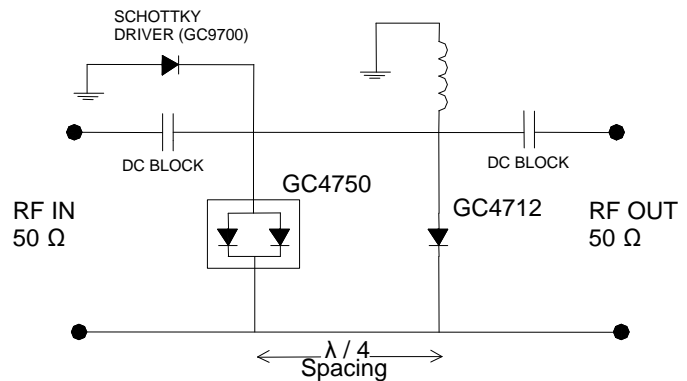
**POWER LEAKAGE PERFORMANCE**


Typical Power Leakage vs I Region Thickness

**TRANSFER CHARACTERISTICS**


Typical Limiter Transfer Characteristics

**SERIES RESISTANCE**

 Typical  $R_s$  Vs  $I_F$  Curve

**HIGH POWER DUAL LIMITER DESIGN**


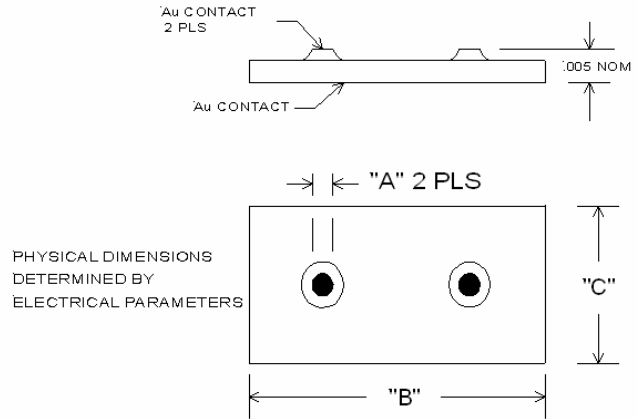
2 Stage Limiter with Schottky Driver

**PACKAGE STYLE 00**


NOTES:  
 1. TOP CONTACT, CHIP SIZE, AND CHIP THICKNESS DEPENDS ON DIODE PARAMETERS. CONSULT FACTORY.  
 2. TOP AND BOTTOM CONTACTS GOLD.

**Notes:**

- Order as GC47xx – 00

**DUAL CHIP STYLE 002**

**Notes:**

- Order as GC47xx – 002

**PACKAGE STYLE 30**

**Notes:**

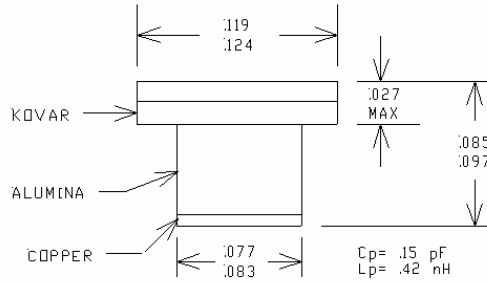
- Order as GC47xx – 30

**PACKAGE STYLE 115-2**

**Notes:**

- Order as GC47xx – 115-2

**OTHER PACKAGE STYLES AVAILABLE ON REQUEST  
 CONSULT FACTORY**

**PACKAGE STYLE 35**


## Notes:

- Order as GC47xx – 35

**PACKAGE SYLE 42**


## Notes:

- Order as GC47xx – 42

**OTHER PACKAGE STYLES AVAILABLE ON REQUEST  
 CONSULT FACTORY**



**Microsemi**<sup>®</sup>

**GC4701 - GC4750**

**CONTROL DEVICES – LIMITERS DIODES**

RoHS COMPLIANT



**NOTES**

[www.MICROSEMI.com](http://www.MICROSEMI.com)

**NOTES**

# Mouser Electronics

Authorized Distributor

Click to View Pricing, Inventory, Delivery & Lifecycle Information:

## Microchip:

[GC4732-150A](#) [GC4731-150C](#) [GC4712-42](#) [GC4731-150A-AP](#) [GC4732-115-2](#) [GC4731-35](#) [GC4750-42](#) [GC4711-35](#)  
[GC4711-92](#) [GC4713-154-4](#)



Компания «ЭлектроПласт» предлагает заключение долгосрочных отношений при поставках импортных электронных компонентов на взаимовыгодных условиях!

Наши преимущества:

- Оперативные поставки широкого спектра электронных компонентов отечественного и импортного производства напрямую от производителей и с крупнейших мировых складов;
- Поставка более 17-ти миллионов наименований электронных компонентов;
- Поставка сложных, дефицитных, либо снятых с производства позиций;
- Оперативные сроки поставки под заказ (от 5 рабочих дней);
- Экспресс доставка в любую точку России;
- Техническая поддержка проекта, помощь в подборе аналогов, поставка прототипов;
- Система менеджмента качества сертифицирована по Международному стандарту ISO 9001;
- Лицензия ФСБ на осуществление работ с использованием сведений, составляющих государственную тайну;
- Поставка специализированных компонентов (Xilinx, Altera, Analog Devices, Intersil, Interpoint, Microsemi, Aeroflex, Peregrine, Syfer, Eurofarad, Texas Instrument, Miteq, Cobham, E2V, MA-COM, Hittite, Mini-Circuits, General Dynamics и др.);

Помимо этого, одним из направлений компании «ЭлектроПласт» является направление «Источники питания». Мы предлагаем Вам помощь Конструкторского отдела:

- Подбор оптимального решения, техническое обоснование при выборе компонента;
- Подбор аналогов;
- Консультации по применению компонента;
- Поставка образцов и прототипов;
- Техническая поддержка проекта;
- Защита от снятия компонента с производства.



#### Как с нами связаться

**Телефон:** 8 (812) 309 58 32 (многоканальный)

**Факс:** 8 (812) 320-02-42

**Электронная почта:** [org@eplast1.ru](mailto:org@eplast1.ru)

**Адрес:** 198099, г. Санкт-Петербург, ул. Калинина, дом 2, корпус 4, литера А.