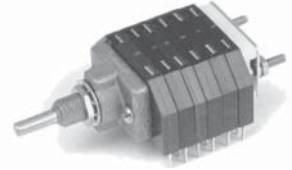


C2/C3 - SERIES

SPECIFICATIONS AND ORDERING INFORMATION

0.82 / 1.2" WIDE 0.25 AMP @ 28 VDC

The C2/C3 Series offers an 8 position and a 12 position vertical P.C. board mountable design. Standard designs utilize a 30° index angle and polyester insulation.



SPECIFICATIONS

ELECTRICAL

Current and Voltage Rating: Make and break resistive load
0.25 amp @ 28 VDC; 0.1 amp @ 125 VAC.
Current Carrying Capacity: 6 amps.
Dielectric Strength: 1,000 VAC between current carrying parts and ground.
Contact Resistance: Average initial 30 milliohms.
Insulation Resistance: In excess of 10,000 megohms.

Hardware: Mounting nut and lockwasher are shipped assembled.

MECHANICAL

Materials and Finishes: All parts utilize non-corrosive materials as standard.
Terminals and Contacts: Brass with silver plate as standard.
Insulation: Polyester.
Index: Dual-ball, hill and valley.
Index Life: 25,000 cycles minimum.
Index Torque: Switches have lowest practical torque consistent with crisp detenting and smooth, reliable operation.
Index Angles: Positive 30° standard, 60°, and 90° available.
Index Stops: Fixed standard, adjustable, or continuous available.
Stop Strength: 8 in. lbs. minimum.

STANDARD PART NUMBER

C2 - 8 PIN CONSTRUCTION

SWITCHES - 30° INDEXING

ADJUSTABLE STOPS SET @ 2 POS. - P.C. TERMINALS

| POLES | ACTIVE POSITIONS | POLES/ DECK | NO. OF DECKS | SHORTING | NON-SHORTING | FIG. * |
|-------|------------------|-------------|--------------|--------------|--------------|--------|
| 01 | 02-08 | 1 | 1 | C2P0108S - A | C2P0108N - A | CD |
| 02 | 02-08 | 1 | 2 | C2P0208S - A | C2P0208N - A | CD |
| 02 | 02-04 | 2 | 1 | C2P0204S - A | C2P0204N - A | CI |
| 03 | 02-08 | 1 | 3 | C2P0308S - A | C2P0308N - A | CD |
| 04 | 02-04 | 2 | 2 | C2P0404S - A | C2P0404N - A | CI |
| 04 | 02-08 | 1 | 4 | C2P0408S - A | C2P0408N - A | CD |
| 05 | 02-08 | 1 | 5 | C2P0508S - A | C2P0508N - A | CD |
| 06 | 02-04 | 2 | 3 | C2P0604S - A | C2P0604N - A | CI |

C3 - 12 PIN CONSTRUCTION

SWITCHES - 30° INDEXING

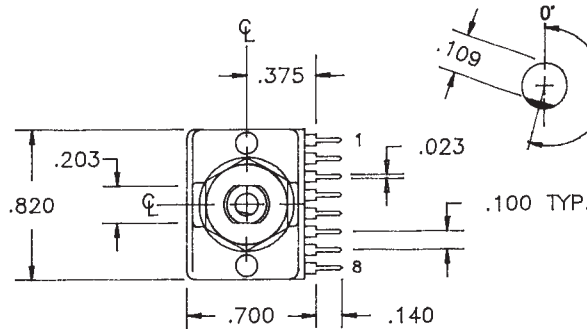
ADJUSTABLE STOPS SET @ 2 POS. - P.C. TERMINALS

| POLES | ACTIVE POSITIONS | POLES/ DECK | NO. OF DECKS | SHORTING | NON-SHORTING | FIG. * |
|-------|------------------|-------------|--------------|--------------|--------------|--------|
| 01 | 02-12 | 1 | 1 | C3P0112S - A | C3P0112N - A | CA |
| 02 | 02-12 | 1 | 2 | C3P0212S - A | C3P0212N - A | CA |
| 02 | 02-06 | 2 | 1 | C3P0206S - A | C3P0206N - A | CH |
| 03 | 02-04 | 3 | 1 | C3P0304S - A | C3P0304N - A | CK |
| 03 | 02-12 | 1 | 3 | C3P0312S - A | C3P0312N - A | CA |
| 04 | 02-06 | 2 | 2 | C3P0406S - A | C3P0406N - A | CH |
| 04 | 02-12 | 1 | 4 | C3P0412S - A | C3P0412N - A | CA |
| 06 | 02-04 | 3 | 2 | C3P0604S - A | C3P0604N - A | CK |

* FIGURES ARE SHOWN ON PAGE 55.

C2 - DIMENSIONS - 8 PIN DESIGN

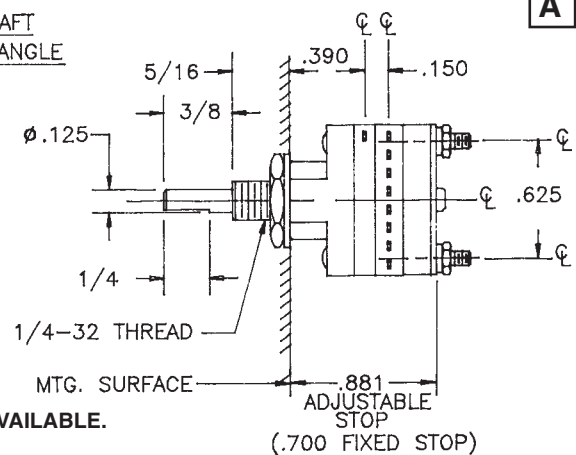
C2P - STANDARD 8-PIN PER DECK ARRANGEMENT



NOTE:

- ONE DECK EQUALS TWO WAFERS.
- ADD .300" FOR EACH ADDITIONAL DECK.

1/4" DIAMETER SHAFTS ARE AVAILABLE.
CONTACT FACTORY.



A

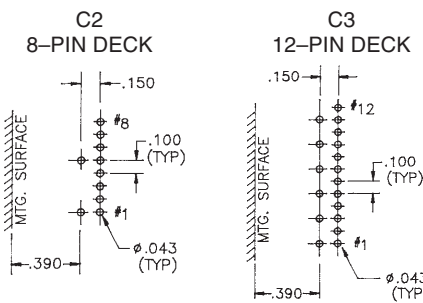
How to Order Additional Options:

| 2 DIGIT SERIES | INSULATION TYPE | TOTAL POLES | ACTIVE POSITIONS | CONTACT TYPE | TERMINAL TYPE | INDEX ANGLE | STOP TYPE | SHAFT/ BUSHING | SHAFT FLAT |
|----------------|-----------------|-------------|--|----------------------------------|---------------|-------------------|------------------------------------|----------------|---------------|
| C2 | P-POLYESTER | 01 - MIN. | 08 - MAX @ 30° 04 - MAX @ 60° 03 - MAX @ 90° | N - NON SHORTING S - SHORTING | | 30° 60° 90° | F - FIXED C - CONT. A - ADJ. | SEE CHART "A" | SEE CHART "B" |
| C3 | P-POLYESTER | 01 - MIN. | 12 - MAX @ 30° 06 - MAX @ 60° 04 - MAX @ 90° | N - NON SHORTING S - SHORTING | | | | | |

| CUSTOMERS SPECIFIED ORDER NUMBER FOR STANDARD OPTIONS | | | | ADDITIONAL OPTIONS | | | |
|---|----------------------|----------------------|----------------------|----------------------|----------------------|----------------------|----------------------|
| <input type="text"/> | <input type="text"/> | <input type="text"/> | <input type="text"/> | <input type="text"/> | <input type="text"/> | <input type="text"/> | <input type="text"/> |
| | P | (SPECIFY) | (SPECIFY) | (SPECIFY) | (SPECIFY) | (SPECIFY) | (SPECIFY) |

C

PRINTED CIRCUIT BOARD PATTERN



- NOTES:**
- The **standard** spacing for the 1/8" dia. shaft from the first row of terminals to the mounting surface is .390 in.
 - The **standard** spacing for the 1/4" dia. shaft from the first row of terminals to the mounting surface is .481 in.

SHAFT AND FLAT OPTIONS

| P/N OPT | Shaft Lgth |
|---------|------------|
| 01 | 1/4 |
| 02 | 3/8 |
| 03 | 1/2 |
| 04 | 9/16 |
| 05 | 3/4 |
| 06 | 7/8 |
| 07 | 1 |

| P/N OPT | Shaft Lgth |
|---------|------------|
| 08 | 1/4 |
| 09 | 3/8 |
| 10 | 1/2 |
| 11 | 9/16 |
| 12 | 3/4 |
| 13 | 7/8 |
| 14 | 1 |

| P/N OPT. | FLAT ANGLE |
|----------|------------|
| U | 15° |
| W | 165° |
| Y | 195° |
| Z | 345° |

SHAFT AS VIEWED WITH NON-TURN LUG AT 9 O'CLOCK AND SHAFT IN EXTREME CCW POSITION AND STRUT BOLTS ORIENTED VERTICALLY.

C3 - DIMENSIONS - 12 PIN DESIGN



- NOTE:**
- ONE DECK EQUALS TWO WAFERS.
 - ADD .300" FOR EACH ADDITIONAL DECK.
 - 12 FIXED POSITION USES ADJUSTABLE STOP DIMENSIONS.

CUSTOM SWITCHES ARE AVAILABLE. CONTACT THE FACTORY WITH YOUR COMPLETE SPECIFICATIONS.



Компания «ЭлектроПласт» предлагает заключение долгосрочных отношений при поставках импортных электронных компонентов на взаимовыгодных условиях!

Наши преимущества:

- Оперативные поставки широкого спектра электронных компонентов отечественного и импортного производства напрямую от производителей и с крупнейших мировых складов;
- Поставка более 17-ти миллионов наименований электронных компонентов;
- Поставка сложных, дефицитных, либо снятых с производства позиций;
- Оперативные сроки поставки под заказ (от 5 рабочих дней);
- Экспресс доставка в любую точку России;
- Техническая поддержка проекта, помощь в подборе аналогов, поставка прототипов;
- Система менеджмента качества сертифицирована по Международному стандарту ISO 9001;
- Лицензия ФСБ на осуществление работ с использованием сведений, составляющих государственную тайну;
- Поставка специализированных компонентов (Xilinx, Altera, Analog Devices, Intersil, Interpoint, Microsemi, Aeroflex, Peregrine, Syfer, Eurofarad, Texas Instrument, Miteq, Cobham, E2V, MA-COM, Hittite, Mini-Circuits, General Dynamics и др.);

Помимо этого, одним из направлений компании «ЭлектроПласт» является направление «Источники питания». Мы предлагаем Вам помощь Конструкторского отдела:

- Подбор оптимального решения, техническое обоснование при выборе компонента;
- Подбор аналогов;
- Консультации по применению компонента;
- Поставка образцов и прототипов;
- Техническая поддержка проекта;
- Защита от снятия компонента с производства.



Как с нами связаться

Телефон: 8 (812) 309 58 32 (многоканальный)

Факс: 8 (812) 320-02-42

Электронная почта: org@eplast1.ru

Адрес: 198099, г. Санкт-Петербург, ул. Калинина, дом 2, корпус 4, литера А.