

4

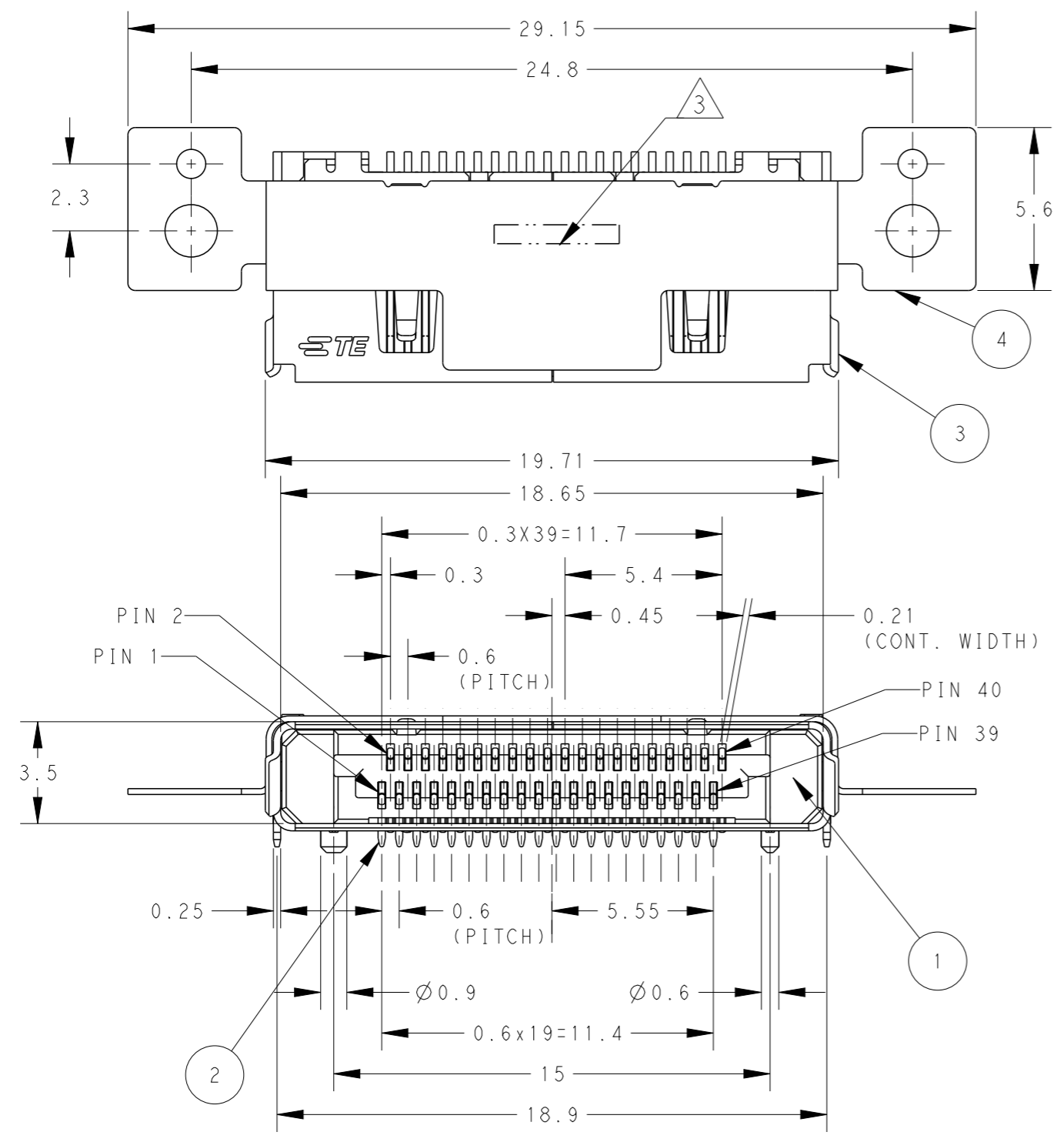
3

2

1

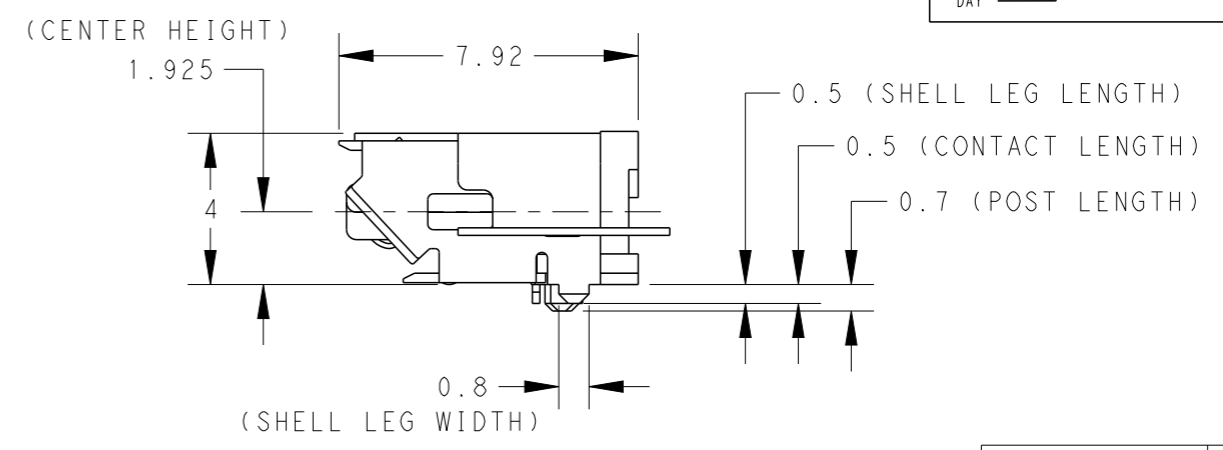
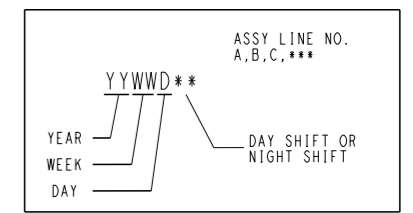
THIS DRAWING IS UNPUBLISHED. RELEASED FOR PUBLICATION 20  
 © COPYRIGHT 20 BY - ALL RIGHTS RESERVED.

LOC	DIST	REVISIONS			
P	LTR	DESCRIPTION	DATE	DWN	APVD
	A	RELEASED	25NOV2011	T.K	H.K
	A1	REVISED (ECR-12-003980)	01MAR2012	T.K	H.K



2129364-1, 1-2129364-1; AS SHOWN

- ① MATERIAL:  
 HOUSING: THERMO-PLASTIC (UL94V-0, BLACK).  
 CONTACT: COPPER ALLOY.  
 SHELL: STAINLESS STEEL.  
 BRACKET: STAINLESS STEEL.
- ② FINISH:  
 CONTACT: ALL OVER 2um MIN. Ni UNDER PLATING.  
 0.254um MIN. Au PLATING ON CONTACT AREA.  
 1~3um Tin PLATING ON TINE AREA.  
 SHELL: ALL OVER 1.3um MIN. Ni UNDER PLATING (FOR 2129364-1, -2).  
 ALL OVER 0.5um MIN. BLACK-Ni UNDER PLATING (FOR 1-2129364-1).
- ③ DATE CODE



WITH BRACKET

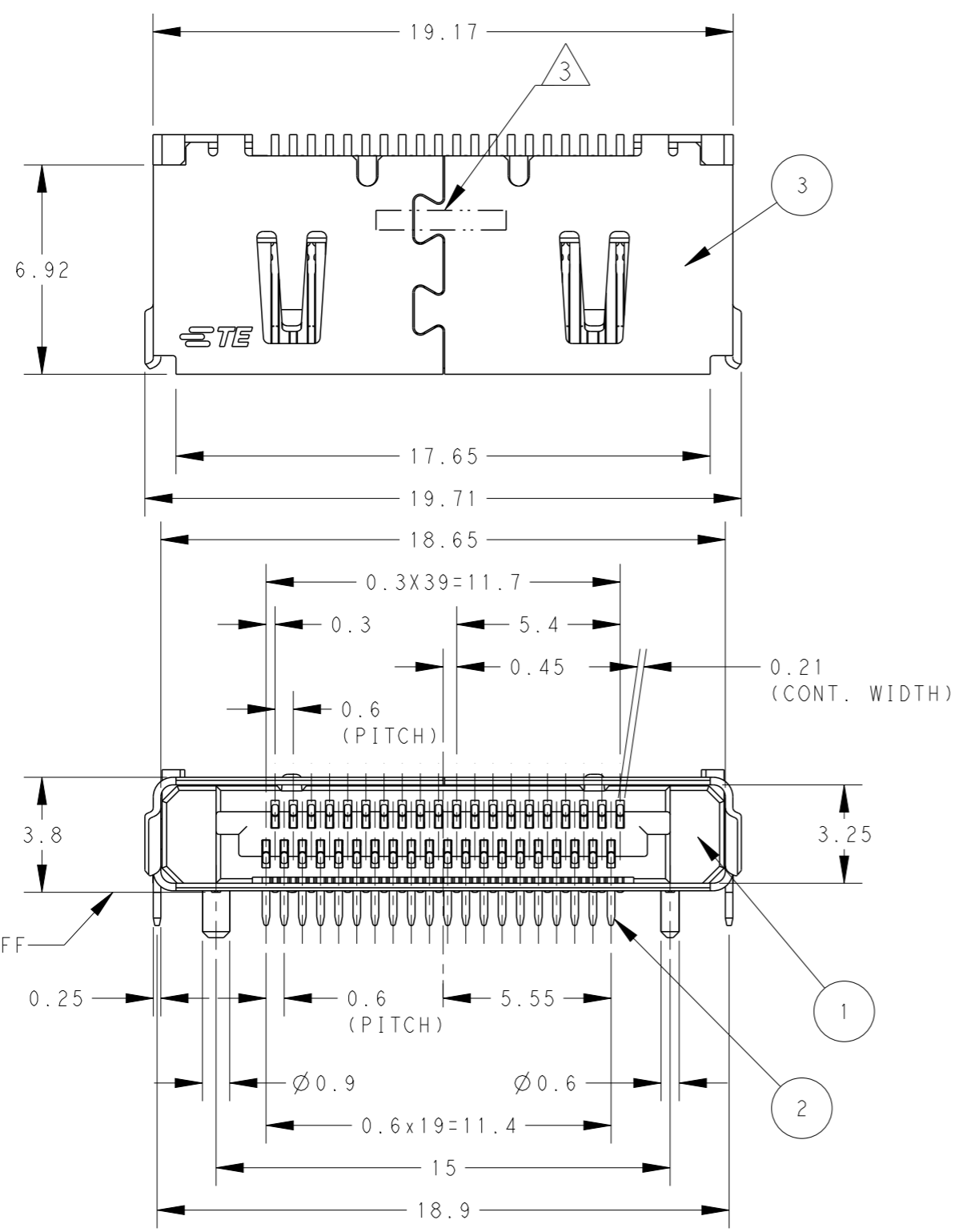
BLACK-Ni	1-2129364-1
Ni	2129364-1
FINISH	PART NUMBER
1	BRACKET ④
1	SHELL ③
40	CONTACT ②
1	HOUSING ①
Q'TY	NAME ITEM

VIEW A

THIS DRAWING IS A CONTROLLED DOCUMENT.		DWN T. KUO 25NOV2011	TE Connectivity																			
DIMENSIONS: mm		CHK V. PENG 25NOV2011																				
TOLERANCES UNLESS OTHERWISE SPECIFIED:		APVD H. KODAMA 25NOV2011	NAME RECEPTACLE ASSY, 0.6mm PITCH CHAMP DOCKING CONNECTOR, 40POS																			
<table border="0"> <tr><td>0 PLC</td><td>±</td><td>±0.25</td></tr> <tr><td>1 PLC</td><td>±</td><td>±0.25</td></tr> <tr><td>2 PLC</td><td>±</td><td>±3°</td></tr> <tr><td>3 PLC</td><td>±</td><td>±</td></tr> <tr><td>4 PLC</td><td>±</td><td>±</td></tr> <tr><td>ANGLES</td><td>±</td><td>±</td></tr> </table>		0 PLC	±	±0.25	1 PLC	±	±0.25	2 PLC	±	±3°	3 PLC	±	±	4 PLC	±	±	ANGLES	±	±	PRODUCT SPEC 108-99033	SIZE CAGE CODE DRAWING NO RESTRICTED TO	
0 PLC	±	±0.25																				
1 PLC	±	±0.25																				
2 PLC	±	±3°																				
3 PLC	±	±																				
4 PLC	±	±																				
ANGLES	±	±																				
MATERIAL ①		APPLICATION SPEC	A300779 C-2129364																			
FINISH ②		WEIGHT 1.08g	SCALE 5:1 SHEET 1 OF 6 REV A1																			
CUSTOMER DRAWING																						

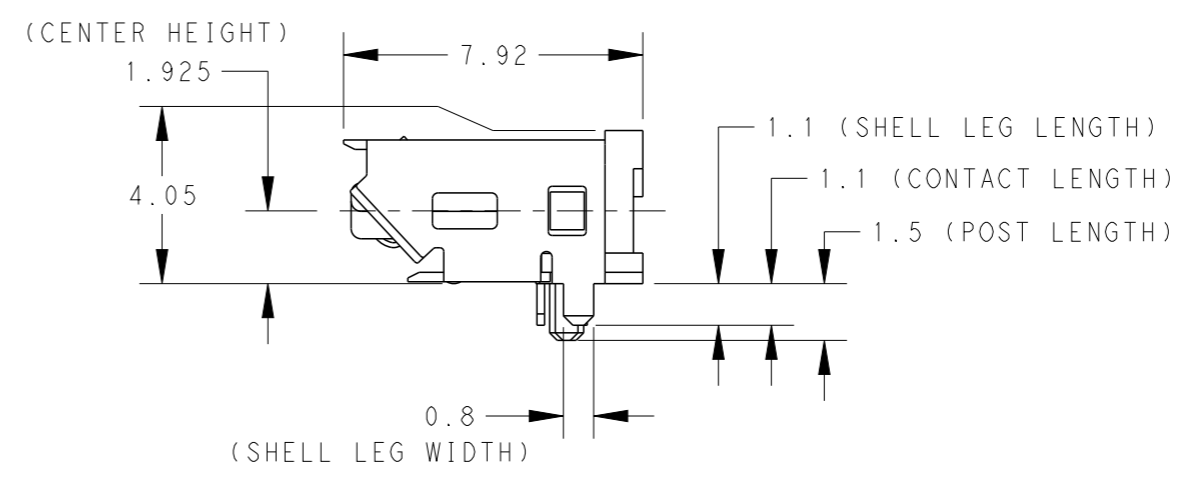
THIS DRAWING IS UNPUBLISHED. RELEASED FOR PUBLICATION 20  
 © COPYRIGHT 20 BY - ALL RIGHTS RESERVED.

LOC	DIST	REVISIONS			
P	LTR	DESCRIPTION	DATE	DWN	APVD
		SEE SHEET 1	-	-	-



2129364-2; AS SHOWN

WITHOUT BRACKET



Q'TY	NAME	ITEM
1	SHELL	③
40	CONTACT	②
1	HOUSING	①

THIS DRAWING IS A CONTROLLED DOCUMENT.		DWN	-	<b>STE</b> TE Connectivity
DIMENSIONS: mm		CHK	-	
TOLERANCES UNLESS OTHERWISE SPECIFIED:		APVD	-	
0 PLC ±- 1 PLC ±- ±0.25 2 PLC ±- ±3° 3 PLC ±- 4 PLC ±- ANGLES ±- FINISH -		PRODUCT SPEC	-	
MATERIAL -		APPLICATION SPEC	-	NAME RECEPTACLE ASSY, 0.6mm PITCH CHAMP DOCKING CONNECTOR, 40POS
		WEIGHT	0.83g	SIZE CAGE CODE DRAWING NO A300779 C-2129364
		CUSTOMER DRAWING	SCALE 5:1	RESTRICTED TO -
			SHEET 2 OF 6	REV A1

4

3

2

1

THIS DRAWING IS UNPUBLISHED.

RELEASED FOR PUBLICATION

20

© COPYRIGHT 20

BY -

ALL RIGHTS RESERVED.

LOC  
DW

DIST

REVISIONS

P	LTR	DESCRIPTION	DATE	DWN	APVD
-	-	SEE SHEET 1	-	-	-

MATING CONDITION

SCALE 10:1

VIEW A

2129364-2 IS SAME AS 2129364-1

THIS DRAWING IS A CONTROLLED DOCUMENT.

DIMENSIONS:

mm

TOLERANCES UNLESS OTHERWISE SPECIFIED:

0 PLC	±	±0.25
1 PLC	±	±0.25
2 PLC	±	±3°
3 PLC	±	±
4 PLC	±	±
ANGLES	±	±
FINISH	-	-

MATERIAL

-

DWN

-

CHK

-

APVD

-

PRODUCT SPEC

-

APPLICATION SPEC

-

WEIGHT

-

CUSTOMER DRAWING

TE Connectivity

NAME

RECEPTACLE ASSY, 0.6mm PITCH  
CHAMP DOCKING CONNECTOR, 40POS

SIZE

A3

CAGE CODE

00779

DRAWING NO

C-2129364

RESTRICTED TO

-

SCALE 5:1

SHEET 3 OF 6

REV A1

1470-19 (3/11)

4

3

2

1

THIS DRAWING IS UNPUBLISHED.

RELEASED FOR PUBLICATION

20

LOC

DIST

REVISIONS

© COPYRIGHT 20 BY -

ALL RIGHTS RESERVED.

P	LTR	DESCRIPTION	DATE	DWN	APVD
-	-	SEE SHEET 1	-	-	-

2129364-2 IS SAME AS 2129364-1

RECOMMENDED P.C. BOARD LAYOUT (TOP VIEW)

4 CONNECTOR OUTLINE  
5 SUPPORT BOARD EDGE

THIS DRAWING IS A CONTROLLED DOCUMENT.		DWN	-	
DIMENSIONS: mm		CHK	-	
TOLERANCES UNLESS OTHERWISE SPECIFIED:		APVD	-	
0 PLC	±	PRODUCT SPEC	-	
1 PLC	±	APPLICATION SPEC	-	
2 PLC	±	WEIGHT	-	
3 PLC	±	CUSTOMER DRAWING	-	
4 PLC	±	SCALE	8:1	
ANGLES	±	SHEET	4 OF 6	
FINISH	-	REV	A1	

**STE** TE Connectivity

NAME: RECEPTACLE ASSY, 0.6mm PITCH CHAMP DOCKING CONNECTOR, 40POS

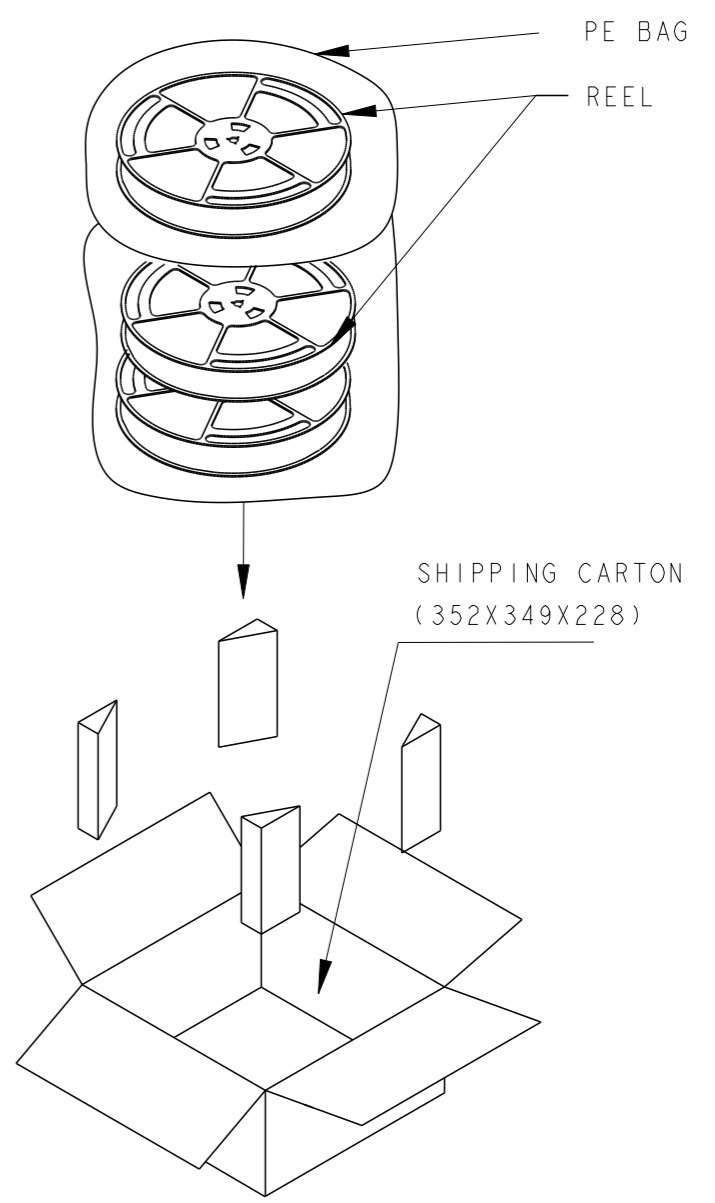
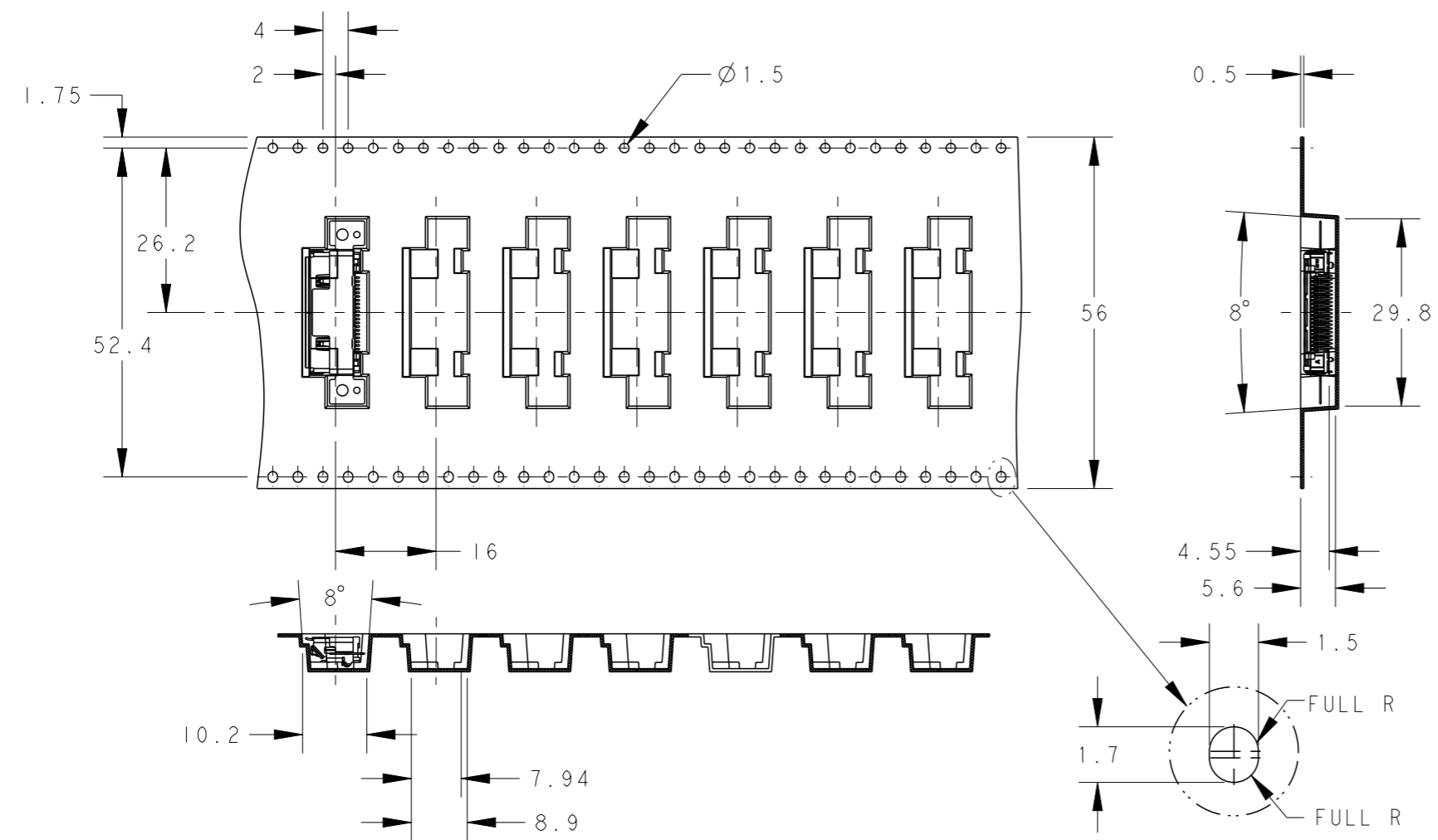
SIZE: A3 CAGE CODE: 300779 DRAWING NO: 2129364 RESTRICTED TO: -

1470-19 (3/11)

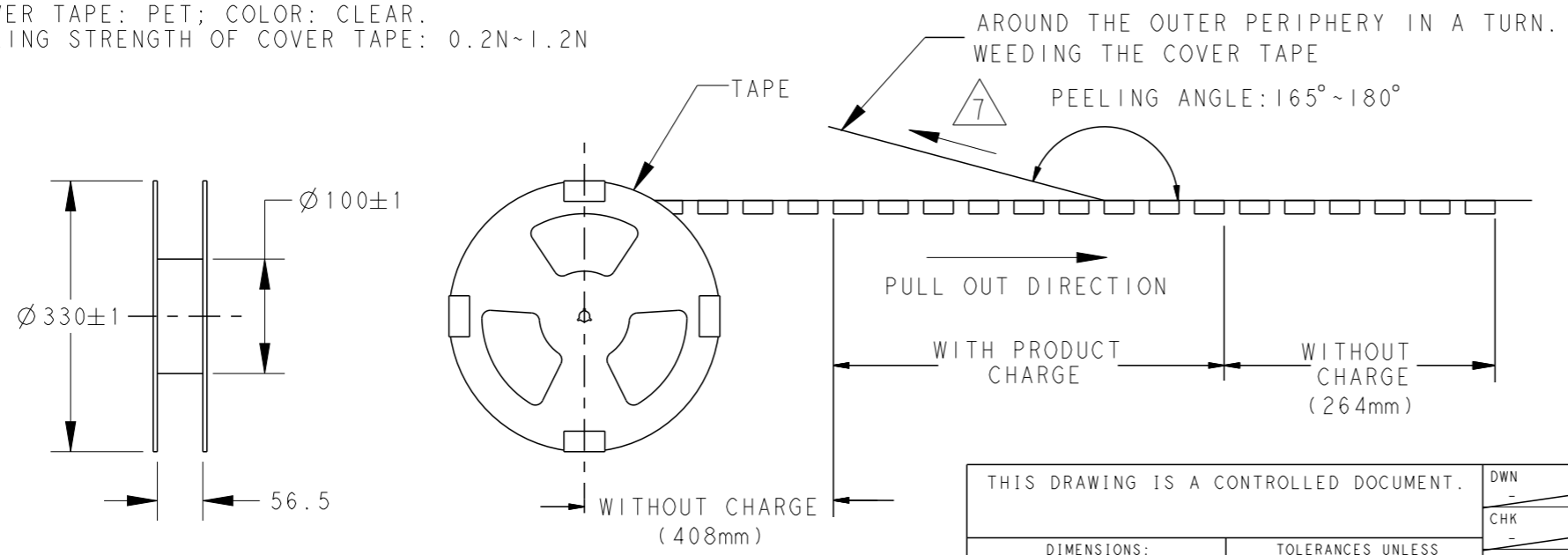
THIS DRAWING IS UNPUBLISHED. RELEASED FOR PUBLICATION 20  
 © COPYRIGHT 20 BY - ALL RIGHTS RESERVED.

LOC DW DIST

REVISIONS					
P	LTR	DESCRIPTION	DATE	DWN	APVD
-	-	SEE SHEET 1	-	-	-



6. PACKING MATERIAL:  
 CARRY TAPE: PS; COLOR: BLACK.  
 COVER TAPE: PET; COLOR: CLEAR.  
 PEELING STRENGTH OF COVER TAPE: 0.2N~1.2N



1-2129364-1	600	3	1800
2129364-1	600	3	1800
P/N	PCS/TAPE	REELS/CARTON	TOTAL QUANTITY

THIS DRAWING IS A CONTROLLED DOCUMENT.

DWN	-
CHK	-
APVD	-
PRODUCT SPEC	-
APPLICATION SPEC	-
WEIGHT	-

DIMENSIONS: mm

TOLERANCES UNLESS OTHERWISE SPECIFIED:

0 PLC	±	
1 PLC	±	±0.5
2 PLC	±	±3°
3 PLC	±	
4 PLC	±	
ANGLES	±	
FINISH	-	

MATERIAL: -

CUSTOMER DRAWING

SCALE: FREE

SHEET 5 OF 6

REV A1

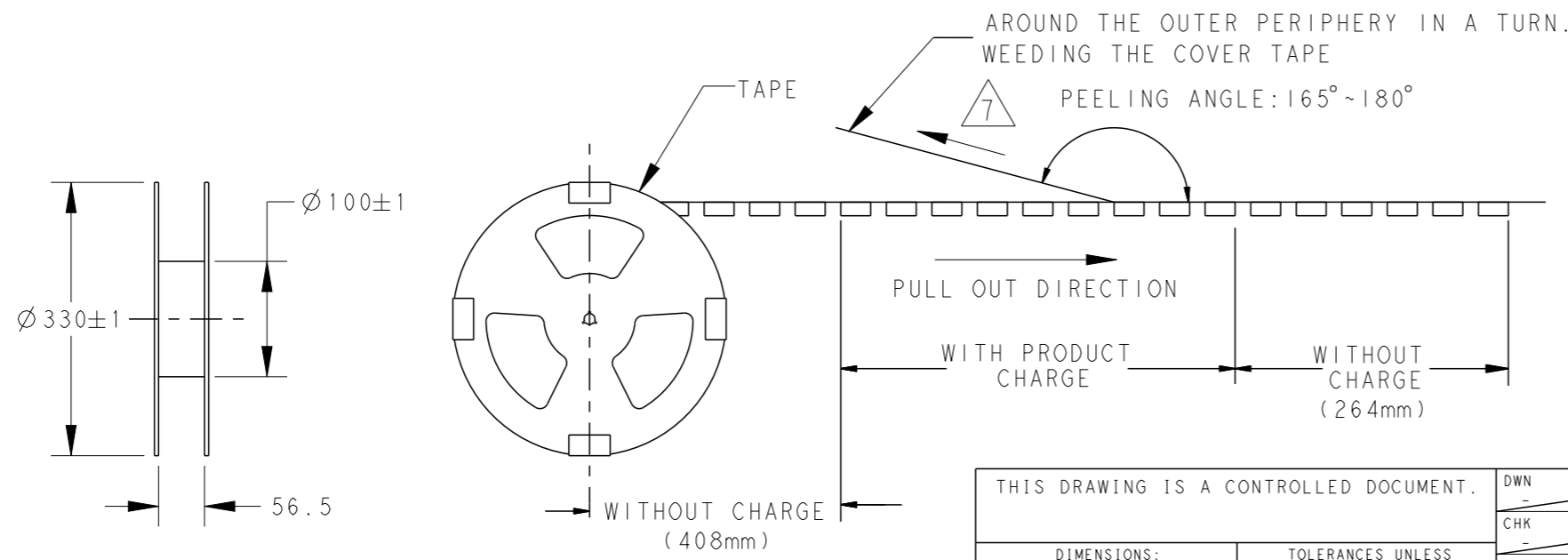
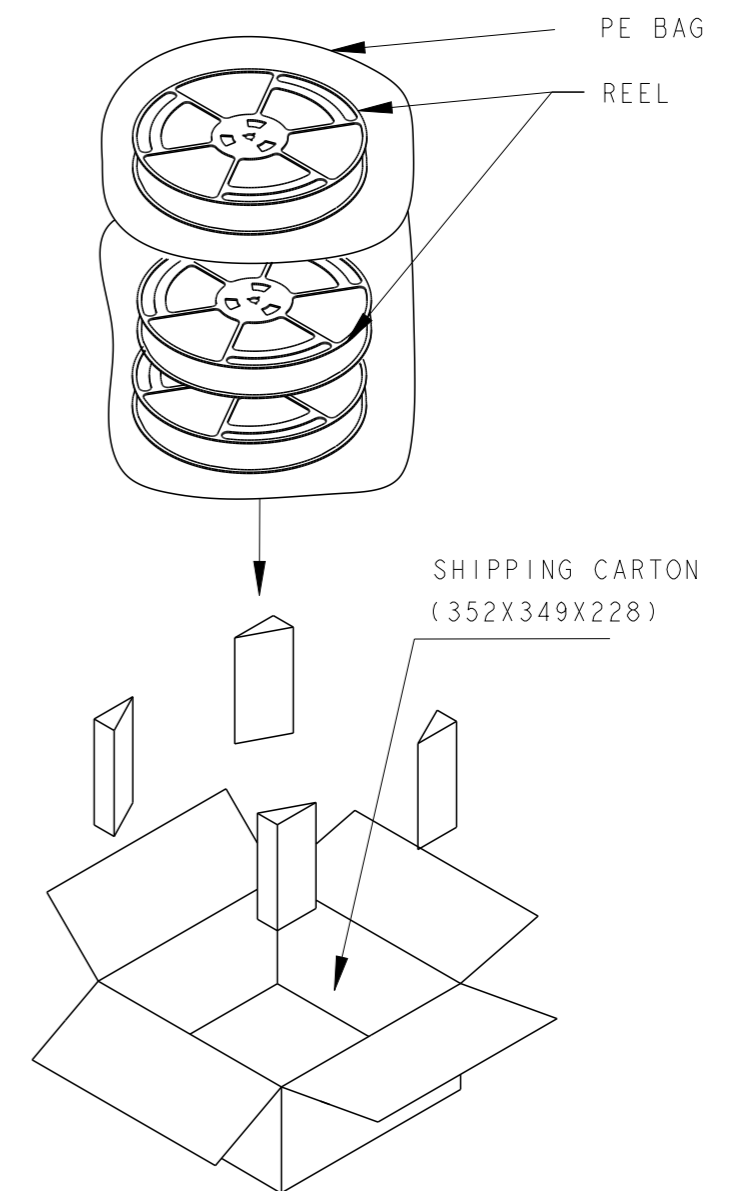
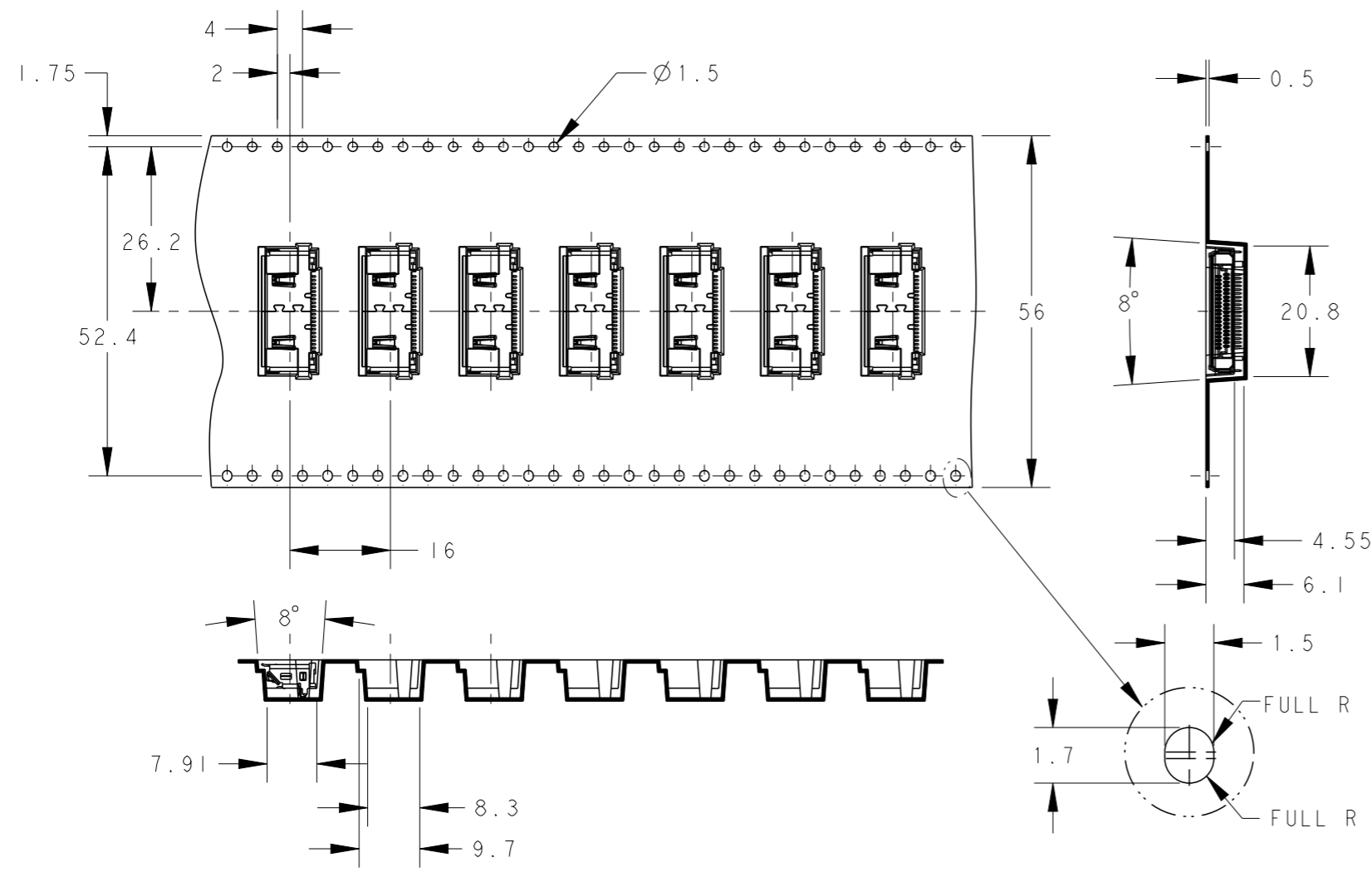
TE Connectivity

RECEPTACLE ASSY, 0.6mm PITCH  
 CHAMP DOCKING CONNECTOR, 40POS

SIZE: A3 CAGE CODE: 00779 DRAWING NO: 2129364

THIS DRAWING IS UNPUBLISHED. RELEASED FOR PUBLICATION 20  
 © COPYRIGHT 20 BY - ALL RIGHTS RESERVED.

LOC		DIST		REVISIONS				
P	LTR	DESCRIPTION	DATE	DWN	APVD			
		SEE SHEET 1	-	-	-			



2129364-2	600	3	1800
P/N	PCS/TAPE	REELS/CARTON	TOTAL QUANTITY

THIS DRAWING IS A CONTROLLED DOCUMENT.

DIMENSIONS: mm	TOLERANCES UNLESS OTHERWISE SPECIFIED:	DWN	-
0 PLC	±	CHK	-
1 PLC	±	APVD	-
2 PLC	± ±0.5	PRODUCT SPEC	-
3 PLC	± ±3°	APPLICATION SPEC	-
4 PLC	±	WEIGHT	-
ANGLES	±	<p><b>STE</b> TE Connectivity</p> <p>NAME: RECEPTACLE ASSY, 0.6mm PITCH CHAMP DOCKING CONNECTOR, 40POS</p>	
FINISH	-	SIZE	A3
MATERIAL	-	CAGE CODE	00779
		DRAWING NO	C-2129364
		RESTRICTED TO	-

CUSTOMER DRAWING SCALE: FREE SHEET 6 OF 6 REV A1



Компания «ЭлектроПласт» предлагает заключение долгосрочных отношений при поставках импортных электронных компонентов на взаимовыгодных условиях!

Наши преимущества:

- Оперативные поставки широкого спектра электронных компонентов отечественного и импортного производства напрямую от производителей и с крупнейших мировых складов;
- Поставка более 17-ти миллионов наименований электронных компонентов;
- Поставка сложных, дефицитных, либо снятых с производства позиций;
- Оперативные сроки поставки под заказ (от 5 рабочих дней);
- Экспресс доставка в любую точку России;
- Техническая поддержка проекта, помощь в подборе аналогов, поставка прототипов;
- Система менеджмента качества сертифицирована по Международному стандарту ISO 9001;
- Лицензия ФСБ на осуществление работ с использованием сведений, составляющих государственную тайну;
- Поставка специализированных компонентов (Xilinx, Altera, Analog Devices, Intersil, Interpoint, Microsemi, Aeroflex, Peregrine, Syfer, Eurofarad, Texas Instrument, Miteq, Cobham, E2V, MA-COM, Hittite, Mini-Circuits, General Dynamics и др.);

Помимо этого, одним из направлений компании «ЭлектроПласт» является направление «Источники питания». Мы предлагаем Вам помощь Конструкторского отдела:

- Подбор оптимального решения, техническое обоснование при выборе компонента;
- Подбор аналогов;
- Консультации по применению компонента;
- Поставка образцов и прототипов;
- Техническая поддержка проекта;
- Защита от снятия компонента с производства.



#### Как с нами связаться

**Телефон:** 8 (812) 309 58 32 (многоканальный)

**Факс:** 8 (812) 320-02-42

**Электронная почта:** [org@eplast1.ru](mailto:org@eplast1.ru)

**Адрес:** 198099, г. Санкт-Петербург, ул. Калинина, дом 2, корпус 4, литера А.