



Main

Range of product	Altivar
Product or component type	Line/motor choke
Product compatibility	<p>ATV31CD11N4 - line choke - 1 per drive</p> <p>ATV61HU40M3 - line choke - 1 per drive</p> <p>ATV61HU55M3 - line choke - 1 per drive</p> <p>ATV31CD11N4 - motor choke - 1 per drive</p> <p>ATV31CD15N4 - line choke - 1 per drive</p> <p>ATV31CU75N4 - motor choke - 1 per drive</p> <p>ATV61HD11N4 - line choke - 1 per drive</p> <p>ATV61HD15N4 - line choke - 1 per drive</p> <p>ATV61HD18Y - line choke - 1 per drive</p> <p>ATV61HD22Y - line choke - 1 per drive</p> <p>ATV61WD11N4 - line choke - 1 per drive</p> <p>ATV61WD11N4C - line choke - 1 per drive</p> <p>ATV61WD15N4 - line choke - 1 per drive</p> <p>ATV61WD15N4C - line choke - 1 per drive</p> <p>ATV71HD11N4 - line choke - 1 per drive</p> <p>ATV71HD15N4 - line choke - 1 per drive</p> <p>ATV71HD18Y - line choke - 1 per drive</p> <p>ATV71HD22Y - line choke - 1 per drive</p> <p>ATV71HU40M3 - line choke - 1 per drive</p> <p>ATV71HU55M3 - line choke - 1 per drive</p> <p>ATV312HD11N4 - line choke - 1 per drive</p> <p>ATV312HD15N4 - line choke - 1 per drive</p> <p>ATV312HD15S6 - line choke - 1 per drive</p> <p>ATV312HU40M3 - line choke - 1 per drive</p> <p>ATV312HU55M3 - line choke - 1 per drive</p> <p>ATV312HU75M3 - line choke - 1 per drive</p> <p>LXM32.D30N4 - line choke - 1 per drive</p> <p>LXM32.D72N4 - line choke - 1 per drive</p> <p>ATV312HD11N4 - motor choke - 1 per drive</p> <p>ATV312HD15S6 - motor choke - 1 per drive</p> <p>ATV312HU40M3 - motor choke - 1 per drive</p> <p>ATV312HU55M3 - motor choke - 1 per drive</p> <p>ATV312HU75M3 - motor choke - 1 per drive</p> <p>ATV312HU75N4 - motor choke - 1 per drive</p> <p>ATV312HD11S6 - motor choke - 1 per drive</p> <p>ATV12HU40M3 - motor choke - 1 per drive</p> <p>ATV12PU40M3 - motor choke - 1 per drive</p> <p>LXM32.D18N4 - line choke - 1 per drive</p> <p>ATV32HD11N4 - line choke - 1 per drive</p> <p>ATV32HD11N4 - motor choke - 1 per drive</p> <p>ATV32HD15N4 - line choke - 1 per drive</p> <p>ATV32HU75N4 - motor choke - 1 per drive</p> <p>ATV71PD11N4Z - line choke - 1 per drive</p> <p>ATV71WD11N4 - line choke - 1 per drive</p> <p>ATV71WD15N4 - line choke - 1 per drive</p> <p>LXM32MD85N4 - line choke - 1 per drive</p> <p>LXM32MC10N4 - line choke - 1 per drive</p> <p>Variable speed drive ATV310 motor : 7.5 kW - line choke - 1 per drive</p> <p>Variable speed drive ATV310 motor : 11 kW - line choke - 1 per drive</p> <p>Variable speed drive ATV310 motor : 7.5 kW - motor choke - 1 per drive</p> <p>Variable speed drive ATV310 motor : 11 kW - motor choke - 1 per drive</p> <p>Variable speed drive ATV340 motor : 7.5 kW 380...480 V - line choke - 1 per drive</p> <p>Variable speed drive ATV340 motor : 11 kW 380...480 V - line choke - 1 per drive</p> <p>Variable speed drive ATV340 motor : 15 kW 380...480 V - line choke - 1 per drive</p> <p>Variable speed drive ATV320 motor : 11 kW 380...500 V - three phase - line choke - 1 per drive</p> <p>Variable speed drive ATV320 motor : 15 kW 380...500 V - three phase - line choke - 1 per drive</p> <p>Variable speed drive ATV320 motor : 7.5 kW 380...500 V - three phase - motor choke - 1 per</p>

The information provided in this documentation contains general descriptions and/or technical characteristics of the products contained herein. This documentation is not intended as a substitute for and is not to be used for determining suitability or reliability of these products for specific user applications. It is the duty of any such user or integrator to perform the appropriate and complete risk analysis, evaluation and testing of the products with respect to the relevant specific application or use thereof. Neither Schneider Electric Industries SAS nor any of its affiliates or subsidiaries shall be responsible or liable for misuse of the information contained herein.

drive
 Variable speed drive ATV320 motor : 11 kW
 380...500 V - three phase - motor choke - 1 per drive
 drive
 Variable speed drive ATV320 motor : 4 kW
 200...240 V - three phase - line choke - 1 per drive
 Variable speed drive ATV320 motor : 5.5 kW
 200...240 V - three phase - line choke - 1 per drive
 Variable speed drive ATV320 motor : 7.5 kW
 200...240 V - three phase - line choke - 1 per drive
 Variable speed drive ATV320 motor : 4 kW
 200...240 V - three phase - motor choke - 1 per drive
 drive
 Variable speed drive ATV320 motor : 5.5 kW
 200...240 V - three phase - motor choke - 1 per drive
 drive
 Variable speed drive ATV320 motor : 7.5 kW
 200...240 V - three phase - motor choke - 1 per drive
 drive
 Variable speed drive ATV320 motor : 11 kW
 525...600 V - three phase - line choke - 1 per drive
 Variable speed drive ATV320 motor : 15 kW
 525...600 V - three phase - line choke - 1 per drive
 Variable speed drive ATV320 motor : 11 kW
 525...600 V - three phase - motor choke - 1 per drive
 drive
 Variable speed drive ATV320 motor : 15 kW
 525...600 V - three phase - motor choke - 1 per drive
 drive
 Variable speed drive ATV630 motor : 18.5 kW
 500...690 V - three phase - line choke - 1 per drive
 Variable speed drive ATV630 motor : 22 kW
 500...690 V - three phase - line choke - 1 per drive
 Variable speed drive ATV930 motor : 18.5 kW
 500...690 V - three phase - line choke - 1 per drive
 Variable speed drive ATV930 motor : 22 kW
 500...690 V - three phase - line choke - 1 per drive
 Variable speed drive ATV630 motor : 600 V - three phase - line choke - 25 hp - 1 per drive
 Variable speed drive ATV630 motor : 600 V - three phase - line choke - 30 hp - 1 per drive
 Variable speed drive ATV930 motor : 600 V - three phase - line choke - 25 hp - 1 per drive
 Variable speed drive ATV930 motor : 600 V - three phase - line choke - 30 hp - 1 per drive
 Variable speed drive ATV310L motor : 0.75 kW
 Variable speed drive ATV310L motor : 1.5 kW
 Variable speed drive ATV310L motor : 2.2 kW
 Variable speed drive ATV310L motor : 3 kW
 Variable speed drive ATV310L motor : 4 kW
 Variable speed drive ATV310L motor : 5.5 kW

Phase	Three phase
Range compatibility	Altivar 12 Altivar 312 Altivar 61 Altivar 71 Altivar 32 Lexium 32 Altivar 31C Altivar 312 Solar Altivar Easy 310 Lexium 52 Lexium 62 Altivar Process ATV600 Altivar Process ATV900 Altivar Machine ATV320 Altivar Machine ATV340 Altivar Easy 310L
Device application	Reduction of current harmonics Reduction of overvoltages at motor terminals
Value of inductance	1 mH
Line Rated Current	31 A
Thermal losses	90 W
Electrical connection	Terminal 16 mm ² / AWG 4, 10.62...12.39 lbf.in (1.2...1.4 N.m)

Complementary

Supply frequency	50...60 Hz
Max current	1.65 x nominal current 60 s
Voltage drop at rated load	<= 5 %
Electrical insulation class	Class F
Clearance distance	>= 5.5 mm conforming to IEC 60664
Leakage distance	0.45 in (11.5 mm) conforming to IEC 60664
Product weight	13.23 lb(US) (6 kg)
Width	6.1 in (155 mm)
Height	6.69 in (170 mm)
Depth	5.31 in (135 mm)

Environment

standards	EN 50178 IEC 60076 (with HD398) VDE 0160 level 1
IP degree of protection	IP00 (choke) IP10 (terminals)
environmental characteristic	3B1 conforming to IEC 721-3-3 3C2 conforming to IEC 721-3-3 3S1 conforming to IEC 721-3-3
pollution degree	2 conforming to EN 50178
vibration resistance	1.5 mm peak to peak (f = 3...13 Hz) conforming to IEC 60068-2-6 1 gn (f = 13...200 Hz) conforming to IEC 60068-2-6
shock resistance	15 gn 11 ms conforming to IEC 60068-2-27
relative humidity	0...95 %
ambient air temperature for operation	32...113 °F (0...45 °C) without current derating 32...113 °F (0...45 °C) without current derating 45...55 °C with current derating of 2 % per °C
ambient air temperature for storage	-13...158 °F (-25...70 °C)
operating altitude	<= 3280.84 ft (1000 m) without current derating 3280.84...9842.52 ft (1000...3000 m) with current derating 1 % per 100 m

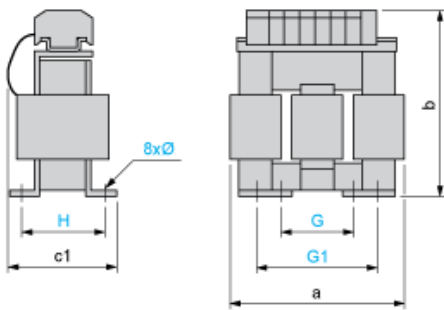
Offer Sustainability

Not Green Premium product	Not Green Premium product
Compliant - since 0801 - Schneider Electric declaration of conformity	Compliant - since 0801 - Schneider Electric declaration of conformity
WARNING: This product can expose you to chemicals including:	WARNING: This product can expose you to chemicals including:
Lead and lead compounds, which is known to the State of California to cause cancer and birth defects or other reproductive harm.	Lead and lead compounds, which is known to the State of California to cause cancer and birth defects or other reproductive harm.
Bisphenol A (BPA), which is known to the State of California to cause birth defects or other reproductive harm.	Bisphenol A (BPA), which is known to the State of California to cause birth defects or other reproductive harm.
For more information go to www.p65warnings.ca.gov	For more information go to www.p65warnings.ca.gov

Contractual warranty

Warranty period	18 months
-----------------	-----------

Dimensions



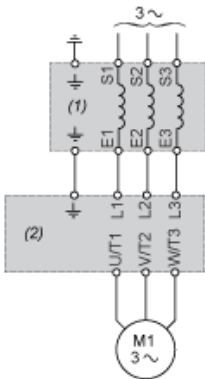
Dimensions in mm

a	b	c1	G	G1	H	Ø
155	170	135	75	107	90	6 x 12

Dimensions in in.

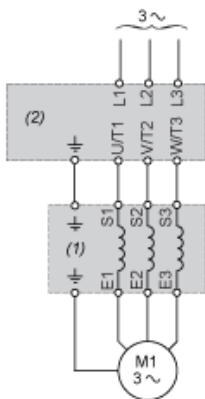
a	b	c1	G	G1	H	Ø
6.10	6.69	5.31	2.95	4.21	3.54	0.24 x 0.47

Recommended Schema - Line Choke



- (1) Line Choke
- (2) Drive

Recommended Schema - Motor Choke



- (1) Motor Choke
- (2) Drive



Компания «ЭлектроПласт» предлагает заключение долгосрочных отношений при поставках импортных электронных компонентов на взаимовыгодных условиях!

Наши преимущества:

- Оперативные поставки широкого спектра электронных компонентов отечественного и импортного производства напрямую от производителей и с крупнейших мировых складов;
- Поставка более 17-ти миллионов наименований электронных компонентов;
- Поставка сложных, дефицитных, либо снятых с производства позиций;
- Оперативные сроки поставки под заказ (от 5 рабочих дней);
- Экспресс доставка в любую точку России;
- Техническая поддержка проекта, помощь в подборе аналогов, поставка прототипов;
- Система менеджмента качества сертифицирована по Международному стандарту ISO 9001;
- Лицензия ФСБ на осуществление работ с использованием сведений, составляющих государственную тайну;
- Поставка специализированных компонентов (Xilinx, Altera, Analog Devices, Intersil, Interpoint, Microsemi, Aeroflex, Peregrine, Syfer, Eurofarad, Texas Instrument, Miteq, Cobham, E2V, MA-COM, Hittite, Mini-Circuits, General Dynamics и др.);

Помимо этого, одним из направлений компании «ЭлектроПласт» является направление «Источники питания». Мы предлагаем Вам помощь Конструкторского отдела:

- Подбор оптимального решения, техническое обоснование при выборе компонента;
- Подбор аналогов;
- Консультации по применению компонента;
- Поставка образцов и прототипов;
- Техническая поддержка проекта;
- Защита от снятия компонента с производства.



Как с нами связаться

Телефон: 8 (812) 309 58 32 (многоканальный)

Факс: 8 (812) 320-02-42

Электронная почта: org@eplast1.ru

Адрес: 198099, г. Санкт-Петербург, ул. Калинина, дом 2, корпус 4, литера А.