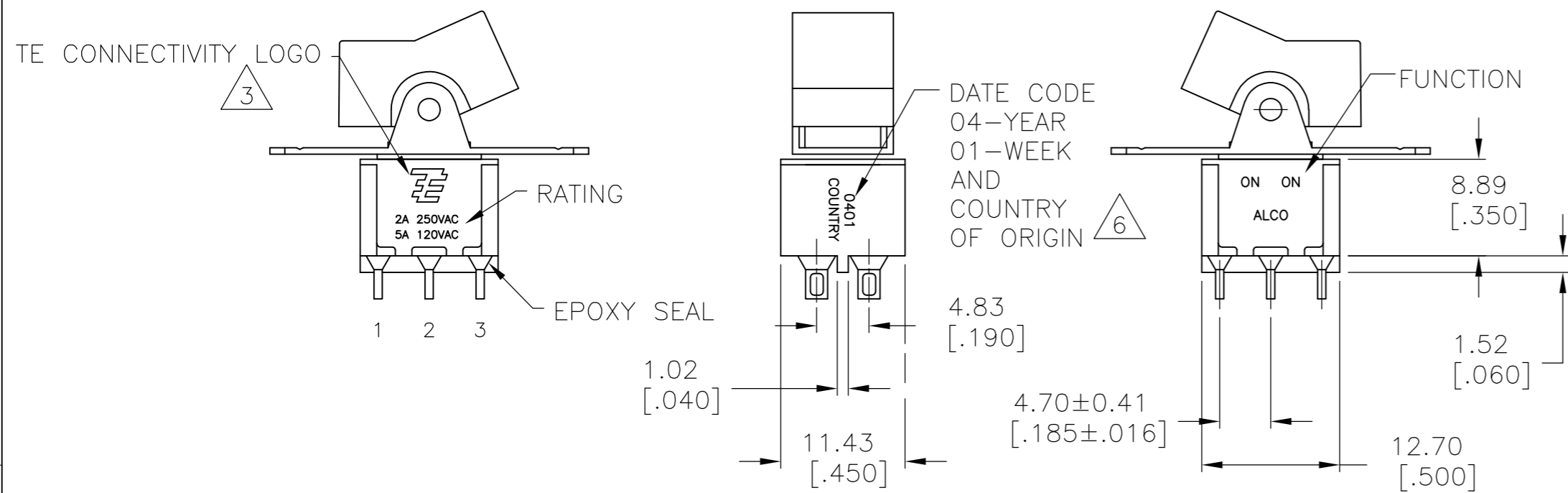


THIS DRAWING IS UNPUBLISHED. RELEASED FOR PUBLICATION  
 © COPYRIGHT - By - ALL RIGHTS RESERVED.

LOC		DIST		REVISIONS			
P	LTR	DESCRIPTION	DATE	DWN	APVD		
AD	00	A7	REVISED PER ECO-14-005988	23APR2014	NK	RH	



- 1 ALL MATERIALS AND FINISHES SHALL COMPLY WITH EU DIRECTIVE 2002/95/EC OF 27JAN2003 (ROHS).
- 2 G CONTACT OPTION CAN BE USED FOR SIGNAL OR POWER LEVEL SWITCHING. IF SWITCH IS USED AT LEVELS EXCEEDING .4VA @ 20V AC/DC, SWITCH IS RENDERED FOR POWER SWITCHING ONLY DUE TO ARC REMOVAL OF GOLD PLATING. RATING MARKED ON THE SWITCH IS 2A 250VAC, 5A 120VAC.
- 3 TE CONNECTIVITY LOGO PER PER TEC-202-36.
- 5 SP3T FUNCTION ACHIEVED WITH FUNCTIONS 11, 13, & 15 BY CUSTOMER APPLIED JUMPER BETWEEN TERMINALS 3 & 5.
- 6 DATE CODE AND COUNTRY OF ORIGIN MAY APPEAR ON EITHER SIDE OF SWITCH.
- 7 PANEL MOUNT BRACKET SUPPLIED WITH TERMINALS W, Z AND Z3 ONLY.
- 8 ALL LOGO, RATING, DATE CODE, AND FUNCTION MARKINGS TO BE LASER MARKED.

### FUNCTION CHART

FUNCTION			
01	ON	NONE	ON
03	ON	OFF	ON
05	(ON)	OFF	(ON)
07	ON	OFF	(ON)
08	ON	NONE	(ON)
TERMINALS CONNECTED	2-3, 5-6	---	1-2, 4-5
11	ON	ON	ON
13	ON	ON	(ON)
15	(ON)	ON	(ON)
TERMINALS CONNECTED	2-3, 5-6	2-3, 4-5	1-2, 4-5
SP3T SCHEMATIC (11, 13 & 15 ONLY) NOTE 5			
	IN 2, OUT 6	IN 2, OUT 4	IN 2, OUT 1
NONE: NO MECHANICAL POSITION OFF: MECHANICAL POSITION WITH NO ELECTRICAL CONNECTION (ON): MOMENTARY ACTION			

### SPECIFICATIONS

RATING, B CONTACTS	.4VA MAX @20V MAX. AC OR DC
RATING, G CONTACTS--SEE NOTE 2	.4VA MAX @20V MAX. AC OR DC OR 5A @120 VAC OR 28 VDC (RESISTIVE)
	2A @250 VAC (RESISTIVE)
RATING, Q CONTACTS	5A @120 VAC OR 28 VDC (RESISTIVE)
	2A @250 VAC (RESISTIVE)
ELECTRICAL LIFE	6,000 CYCLES AT RATED LOAD
CONTACT RESISTANCE	10 MILLIOHMS MAX INITIAL @ 2-4VDC, 100MA
INSULATION RESISTANCE	1,000 MEGOHMS MIN
DIELECTRIC WITHSTANDING VOLTAGE	1,000 V RMS AT SEA LEVEL
OPERATING TEMPRATURE	-30C TO 85C

### PART NUMBER SEQUENCE

MODEL	FUNCTION	ACTUATOR	TERMINAL	CONTACT	ACTUATOR COLOR	FRAME COLOR	ROHS
A2							04
	01	J1	A	B	0 BLACK (STD)	0 BLACK (STD)	
	03	J3	AV2	G	1 BROWN	1 BROWN	
	05	J50	C	Q	2 RED	2 RED	
	07	J51	V3		3 ORANGE	3 ORANGE	
	08	J52	V4		4 YELLOW	4 YELLOW	
	11	J2	V7		5 GREEN	5 GREEN	
	13	J4	W		6 BLUE	6 BLUE	
	15	J60	W4		8 GRAY	8 GRAY	
		J61	Z		9 WHITE	9 WHITE	
		J62	Z3				

THIS DRAWING IS A CONTROLLED DOCUMENT.

DWN	M.BINNER	06JAN05
CHK	M.ZITTO	06JAN05
APVD	M.ZITTO	06JAN05
PRODUCT SPEC		
APPLICATION SPEC		
WEIGHT	-	
CUSTOMER DRAWING		

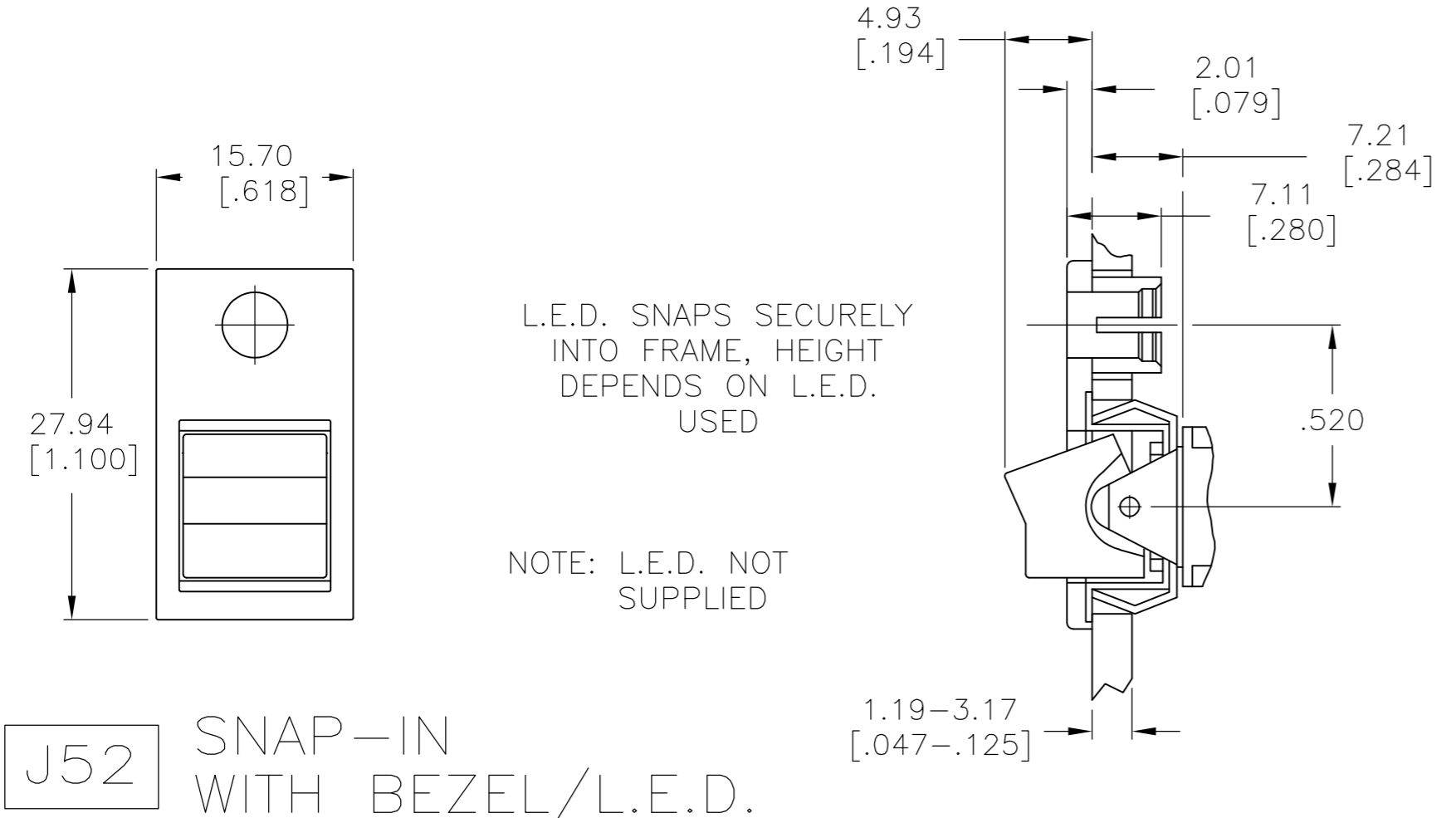
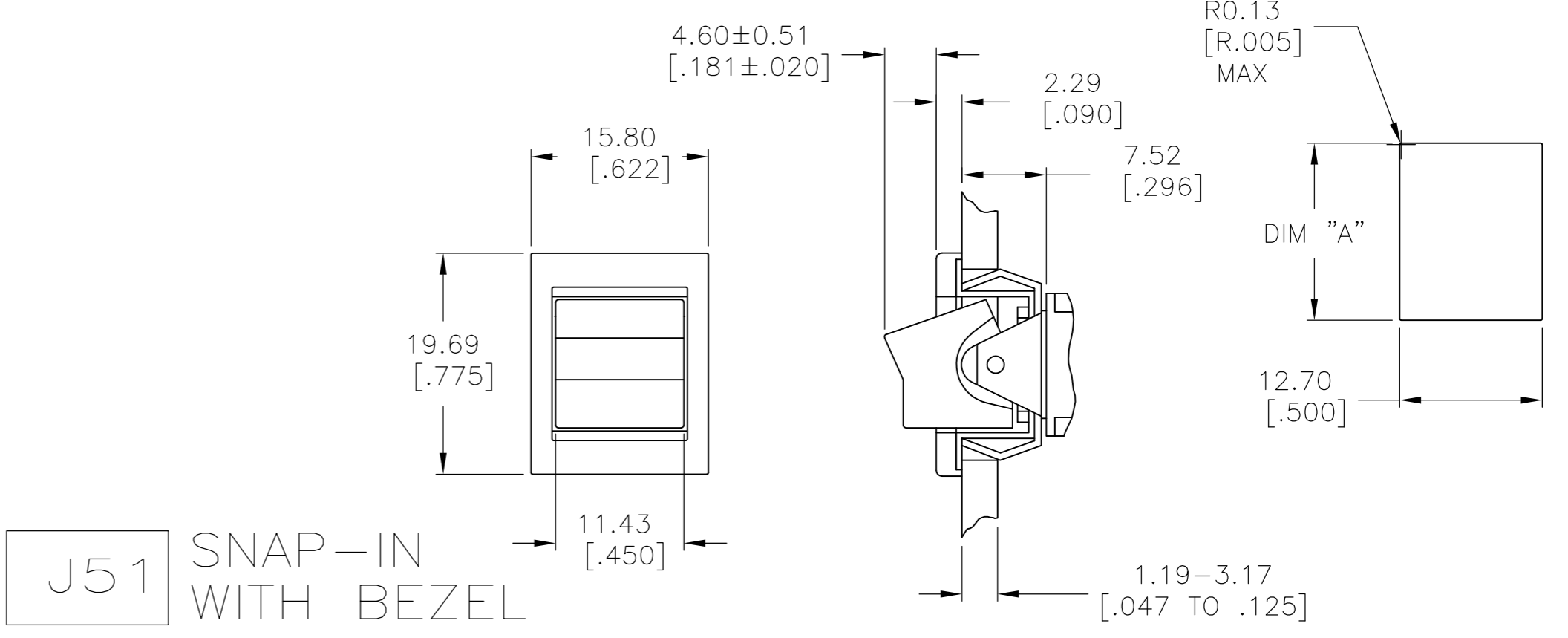
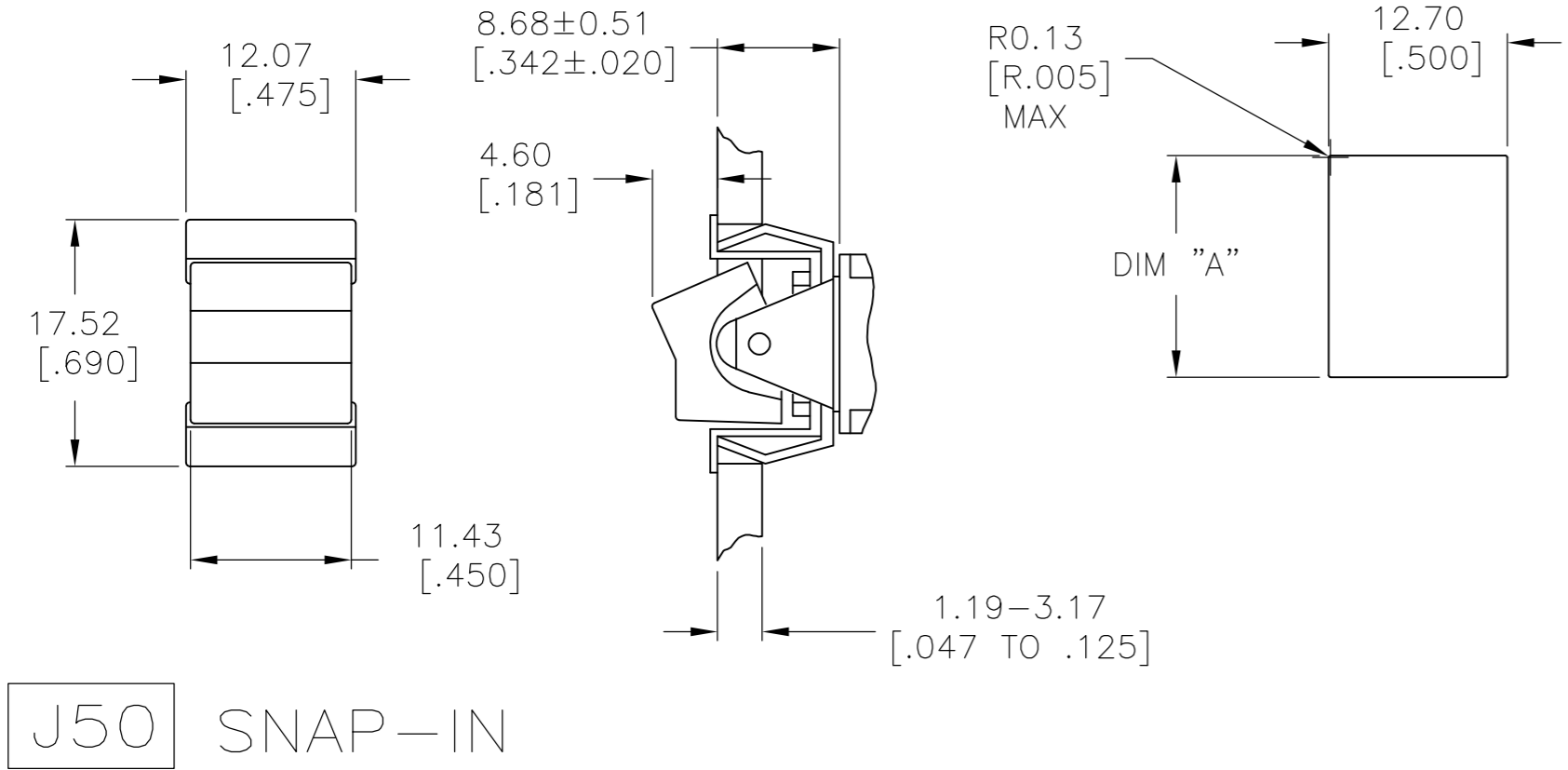
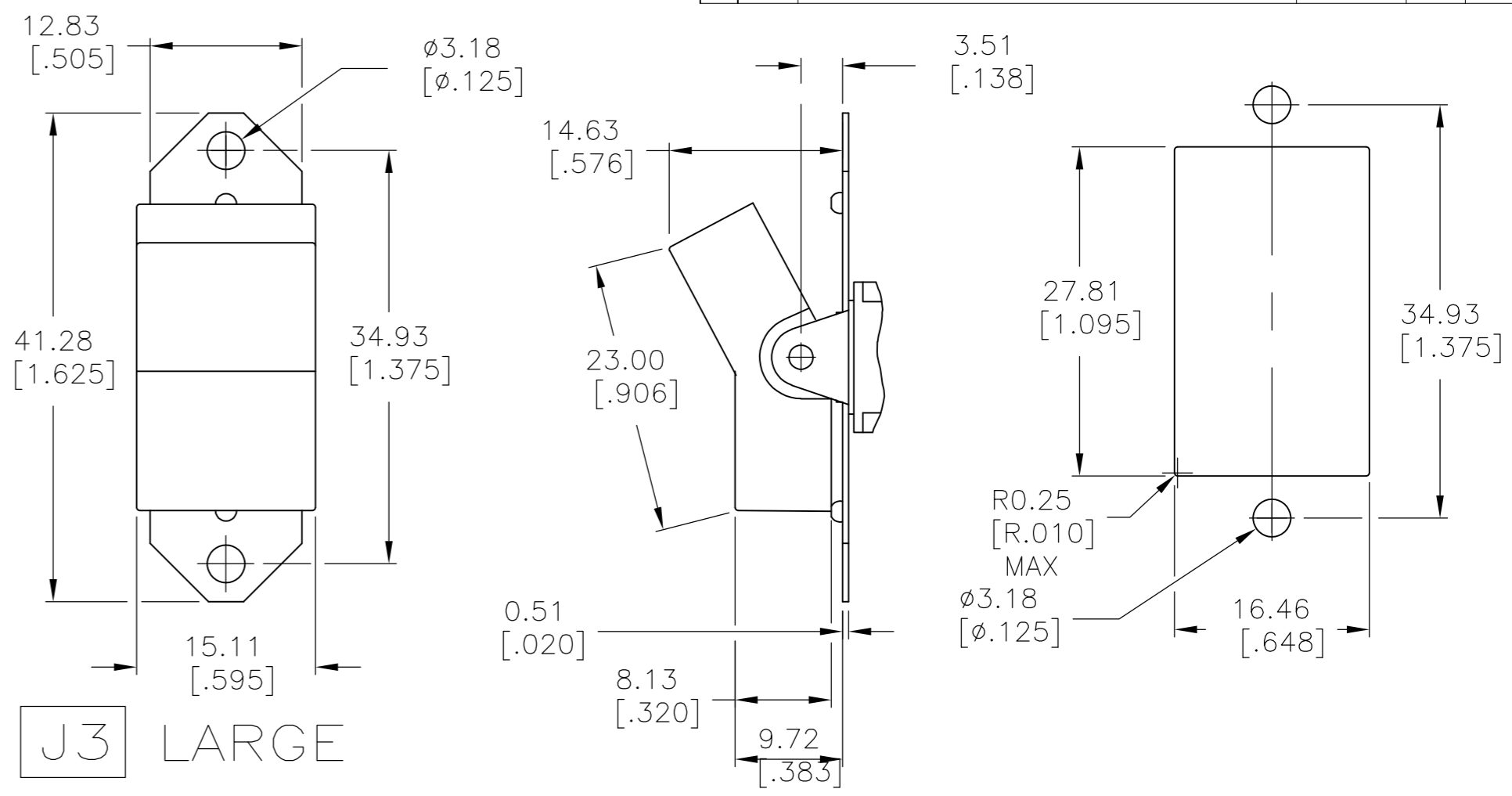
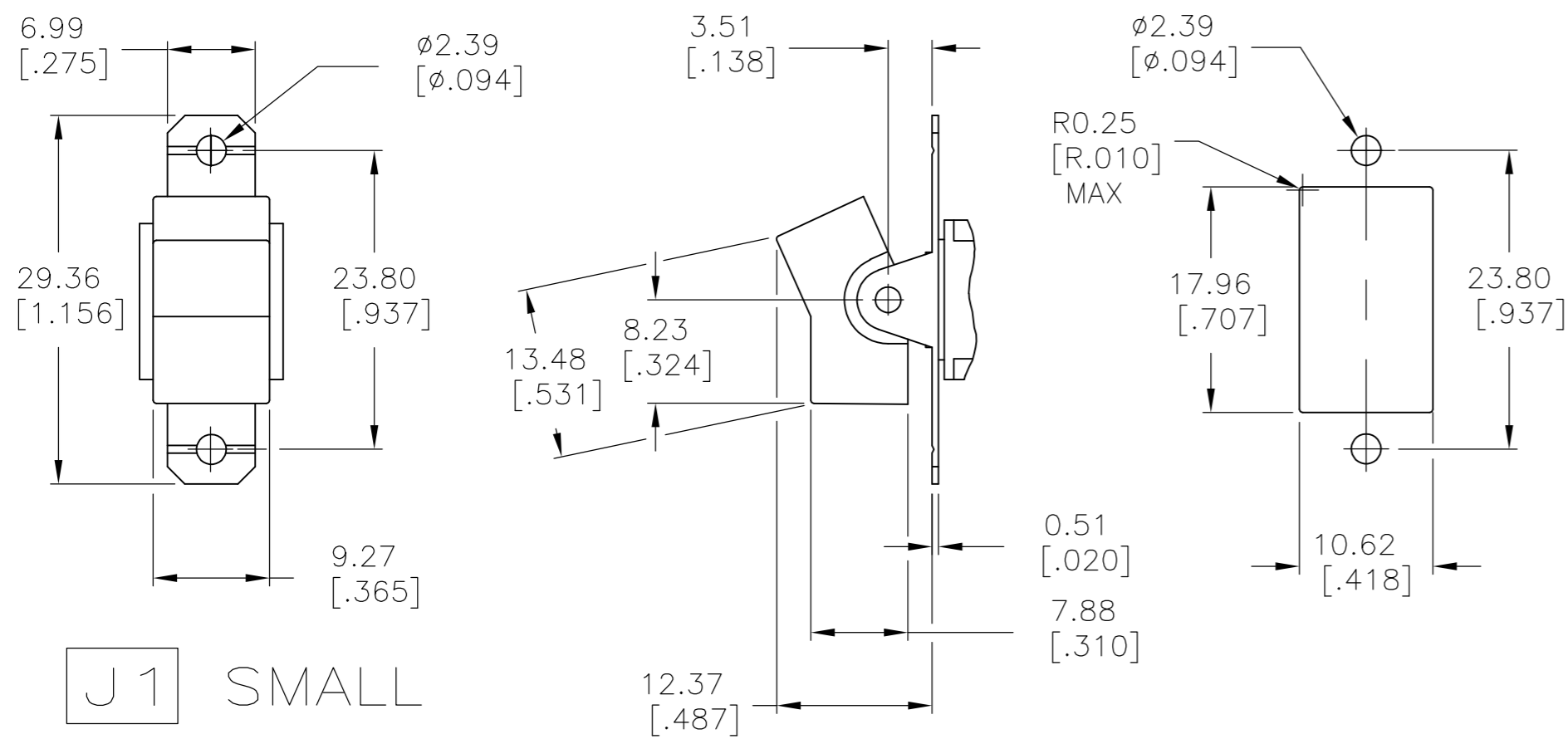
TE Connectivity

GEMINI A SERIES ROCKER SWITCH DOUBLE POLE

SCALE 2:1 SHEET 1 OF 5 REV A7

THIS DRAWING IS UNPUBLISHED. RELEASED FOR PUBLICATION  
 © COPYRIGHT - By - ALL RIGHTS RESERVED.

LOC		DIST		REVISIONS			
P	LTR	DESCRIPTION	DATE	DWN	APVD		
AD	00	SEE SHEET 1	-	-	-		

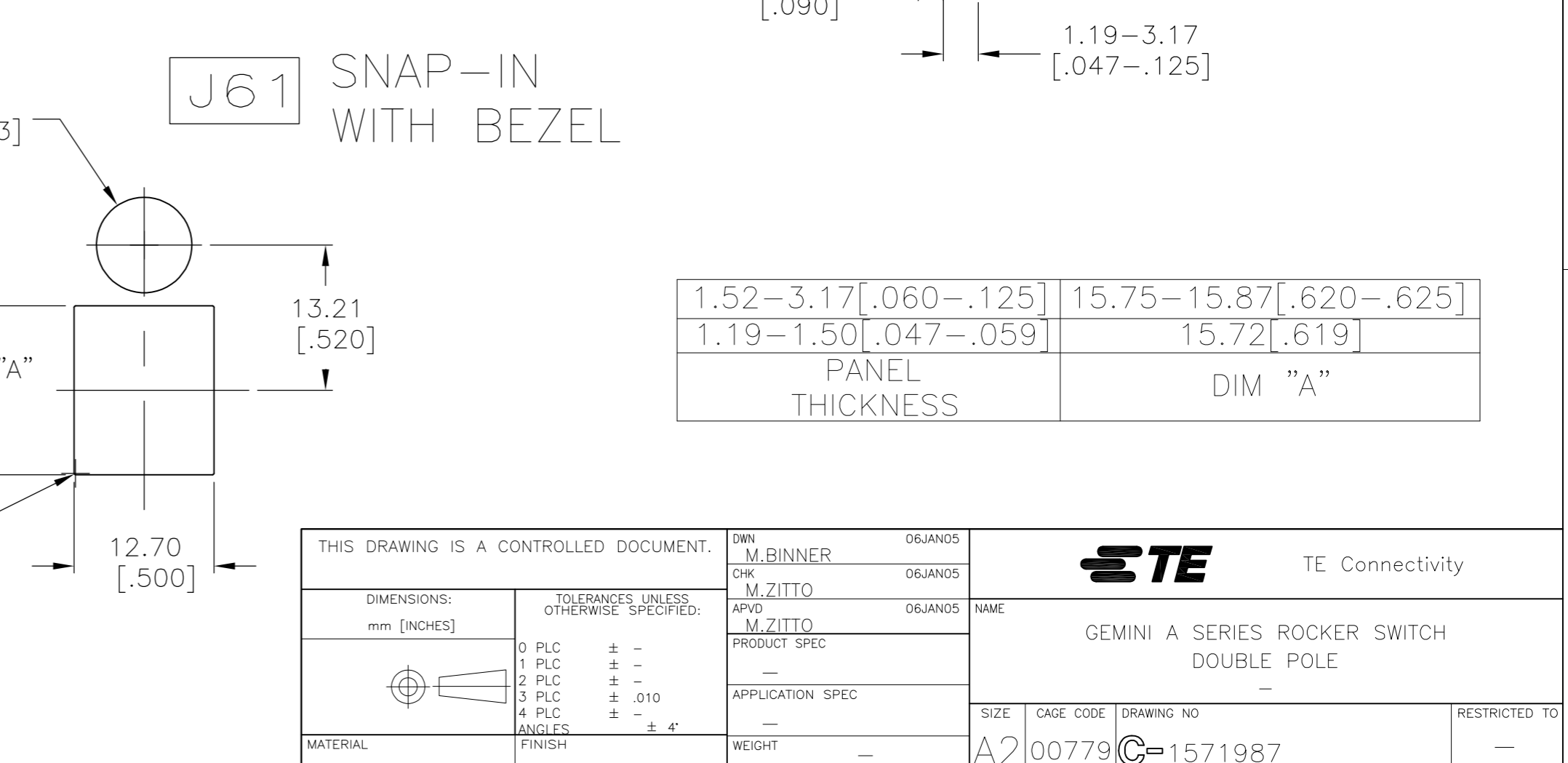
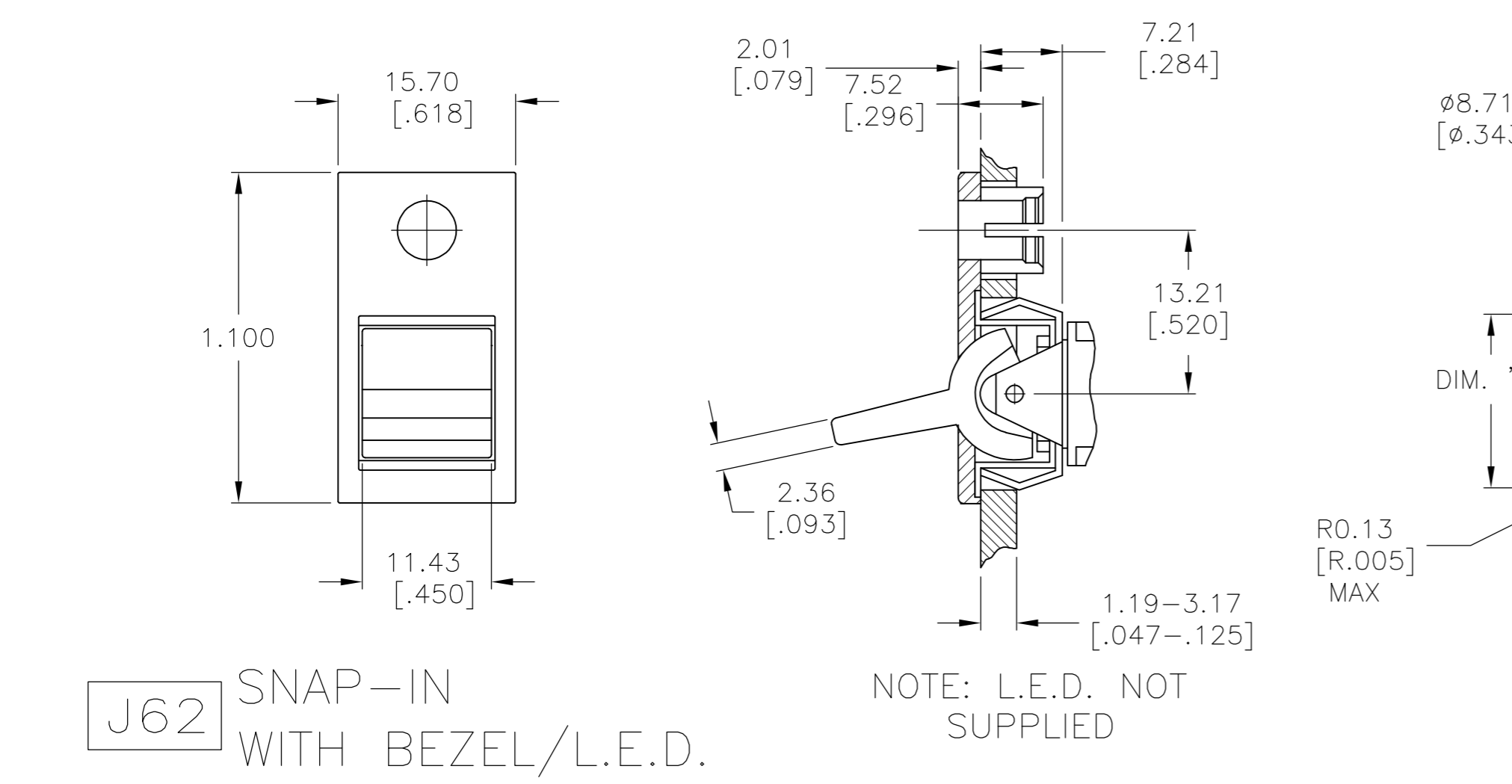
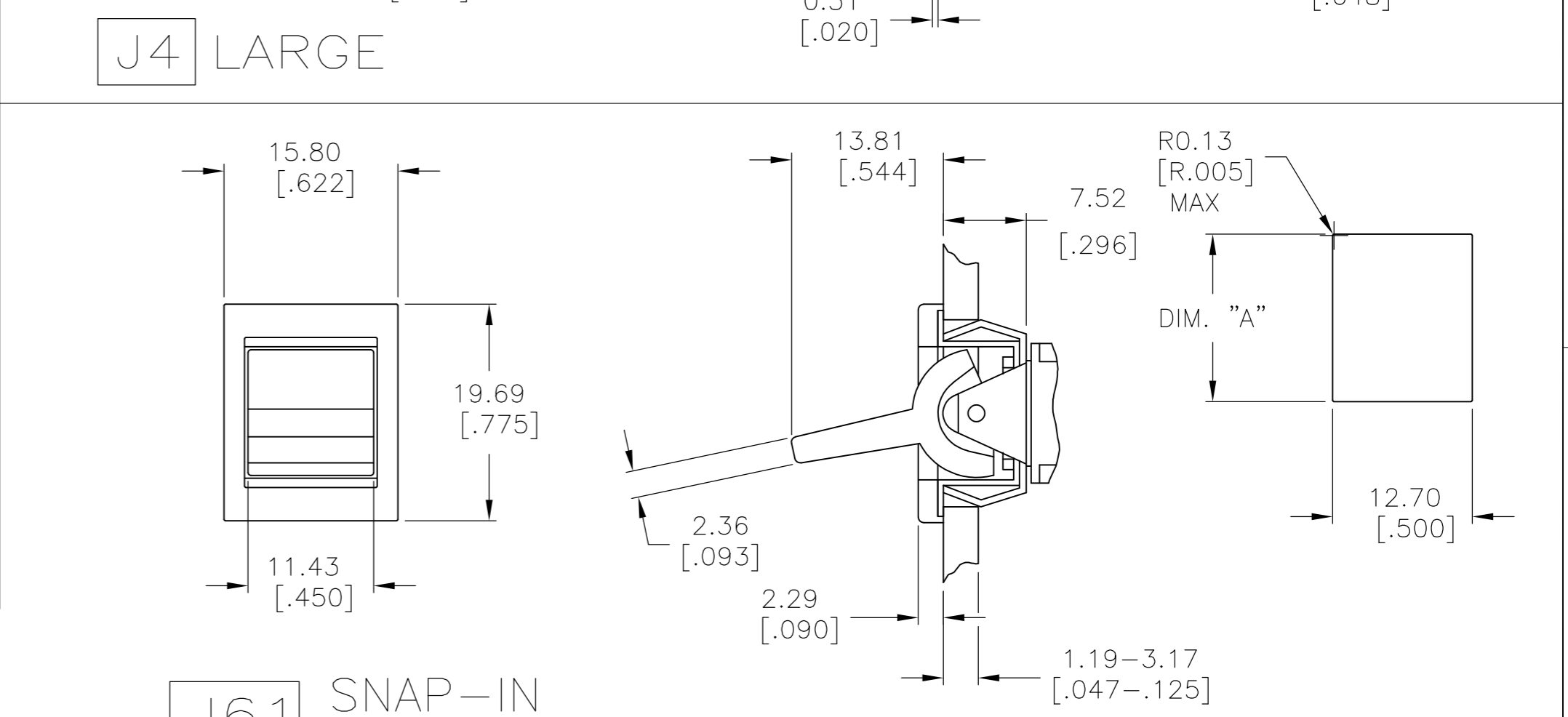
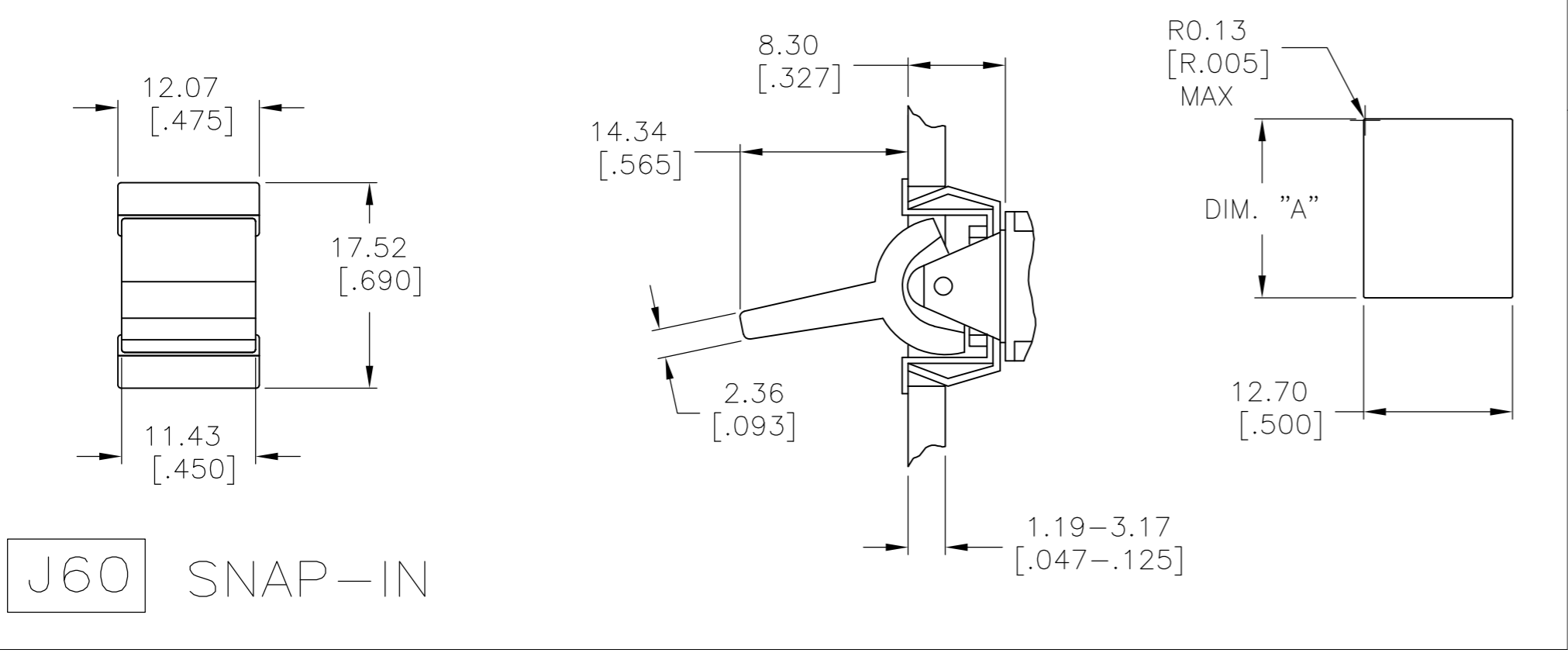
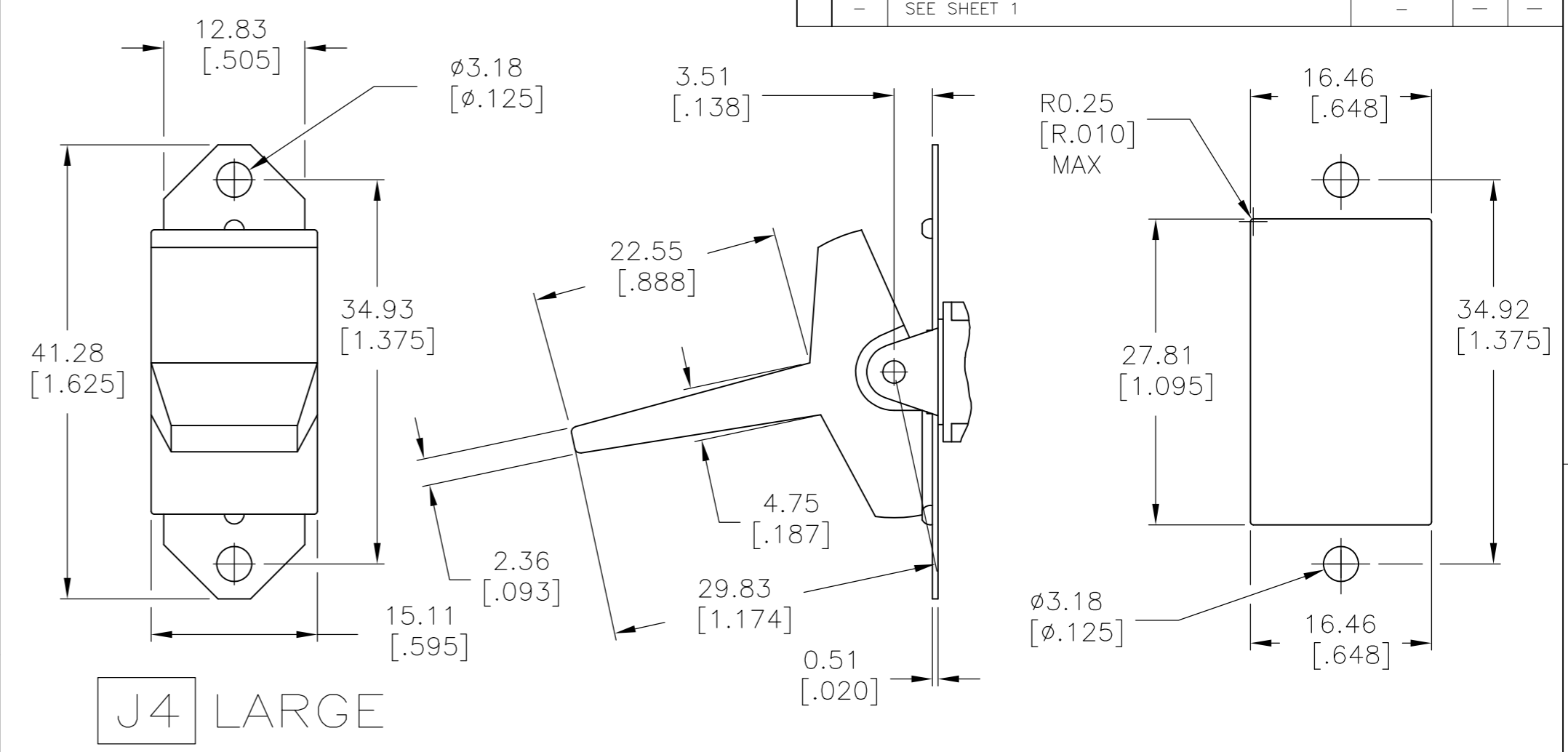
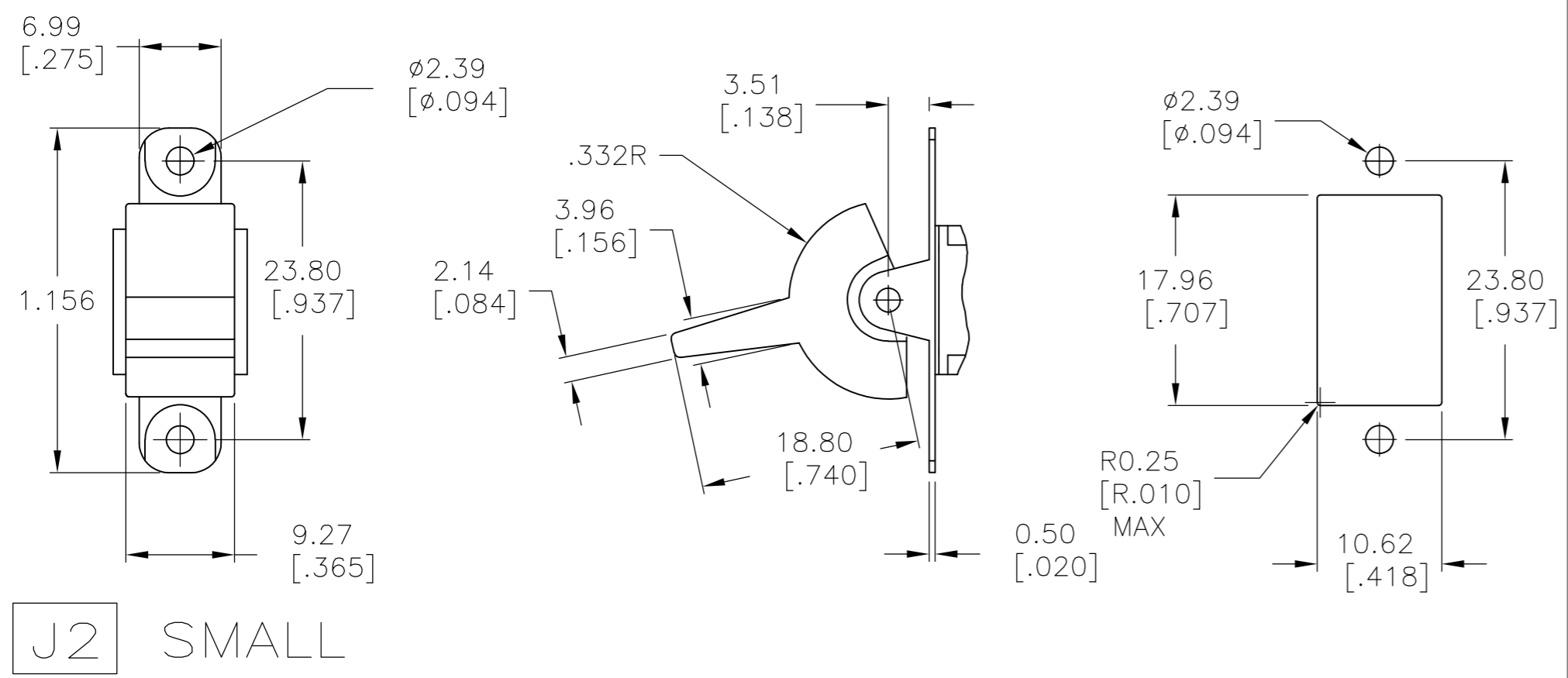


1.52-3.17 [.060-.125]	15.75-15.87 [.620-.625]
1.19-1.50 [.047-.059]	15.72 [.619]
PANEL THICKNESS	DIM "A"

THIS DRAWING IS A CONTROLLED DOCUMENT.		DWN	M.BINNER	06JAN05
DIMENSIONS: mm [INCHES]		CHK	M.ZITTO	06JAN05
TOLERANCES UNLESS OTHERWISE SPECIFIED:		APVD	M.ZITTO	06JAN05
0 PLC	± -	NAME		
1 PLC	± -	GEMINI A SERIES ROCKER SWITCH		
2 PLC	± -	DOUBLE POLE		
3 PLC	± .010	PRODUCT SPEC	-	
4 PLC	± -	APPLICATION SPEC	-	
ANGLES	± 4°	WEIGHT	-	
FINISH	-	CUSTOMER DRAWING	SCALE	2:1
MATERIAL		SIZE		A2
-		CAGE CODE		00779
-		DRAWING NO		C=1571987
-		RESTRICTED TO		-
-		SHEET		2 OF 5
-		REV		A7

THIS DRAWING IS UNPUBLISHED. RELEASED FOR PUBLICATION  
 © COPYRIGHT - By - ALL RIGHTS RESERVED.

LOC		DIST		REVISIONS			
P	LTR	DESCRIPTION	DATE	DWN	APVD		
AD	00	SEE SHEET 1	-	-	-		

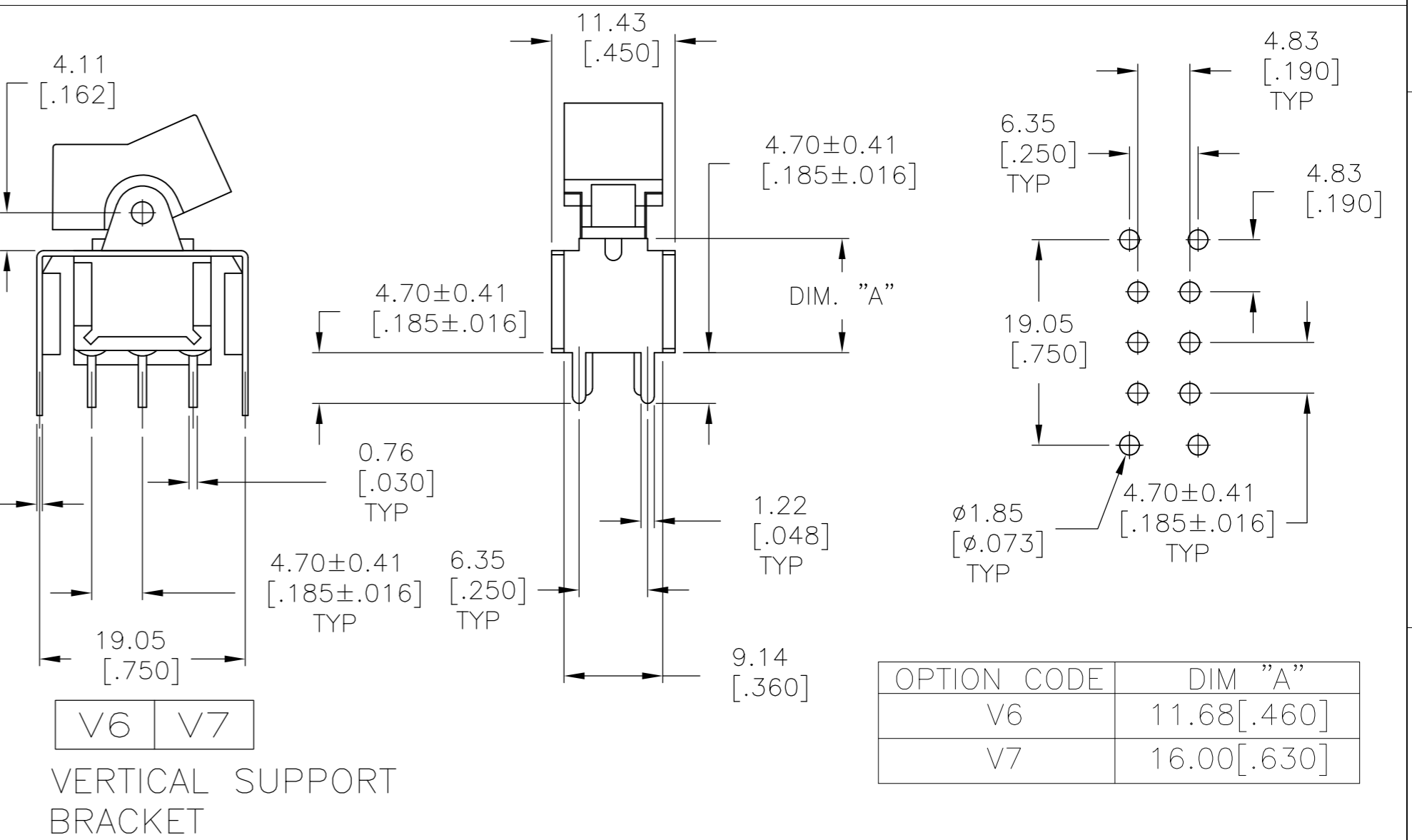
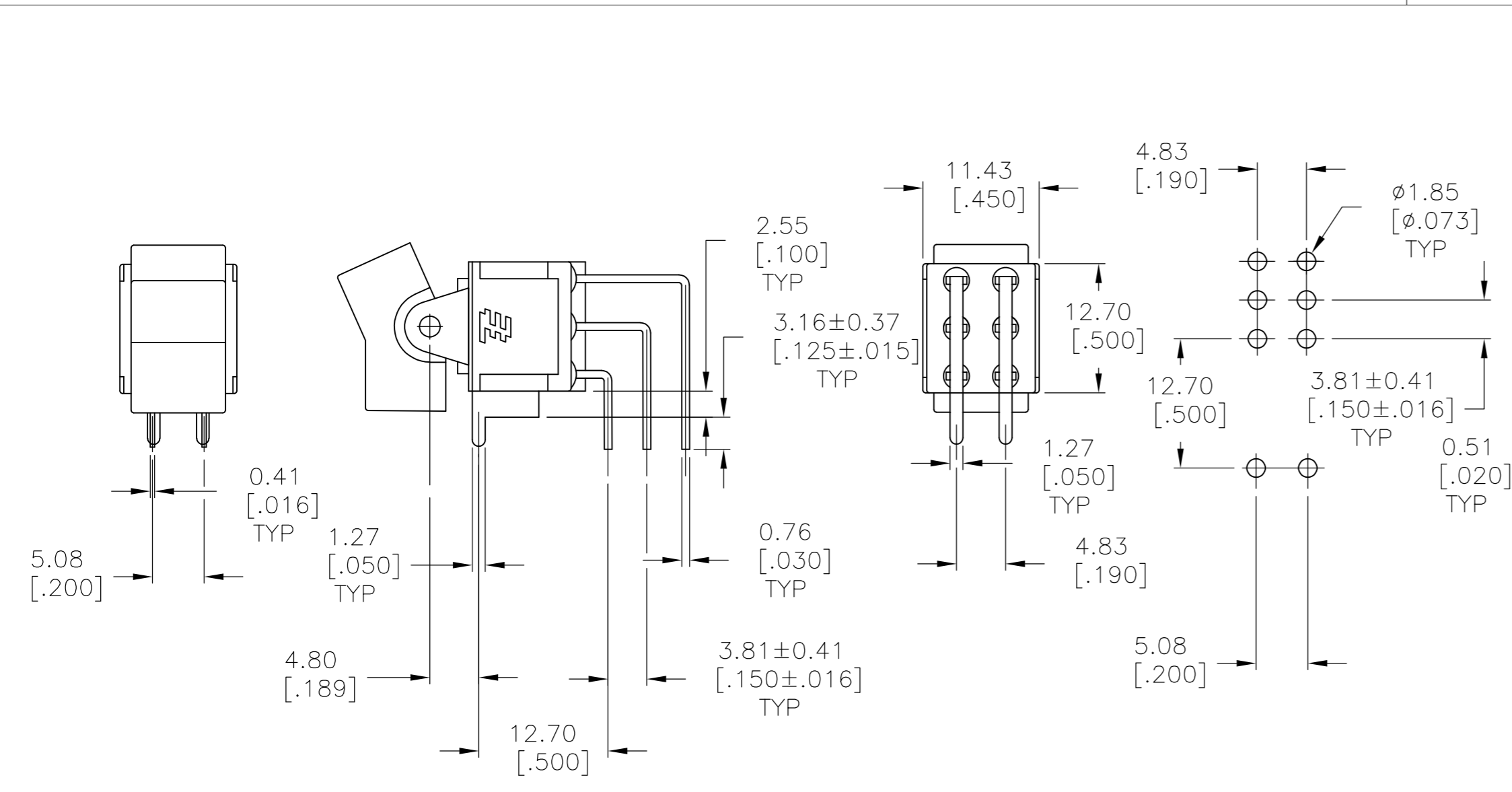
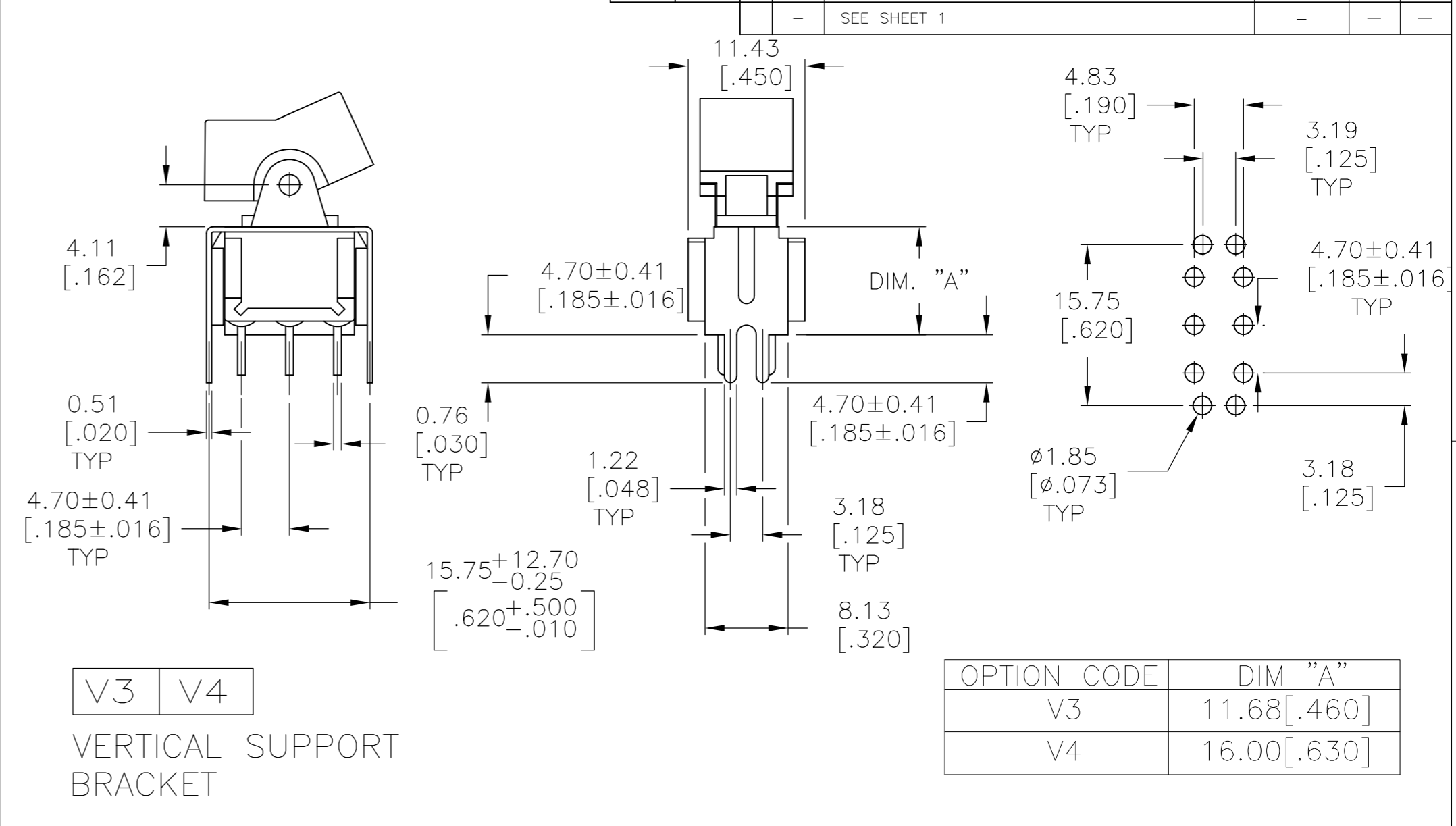
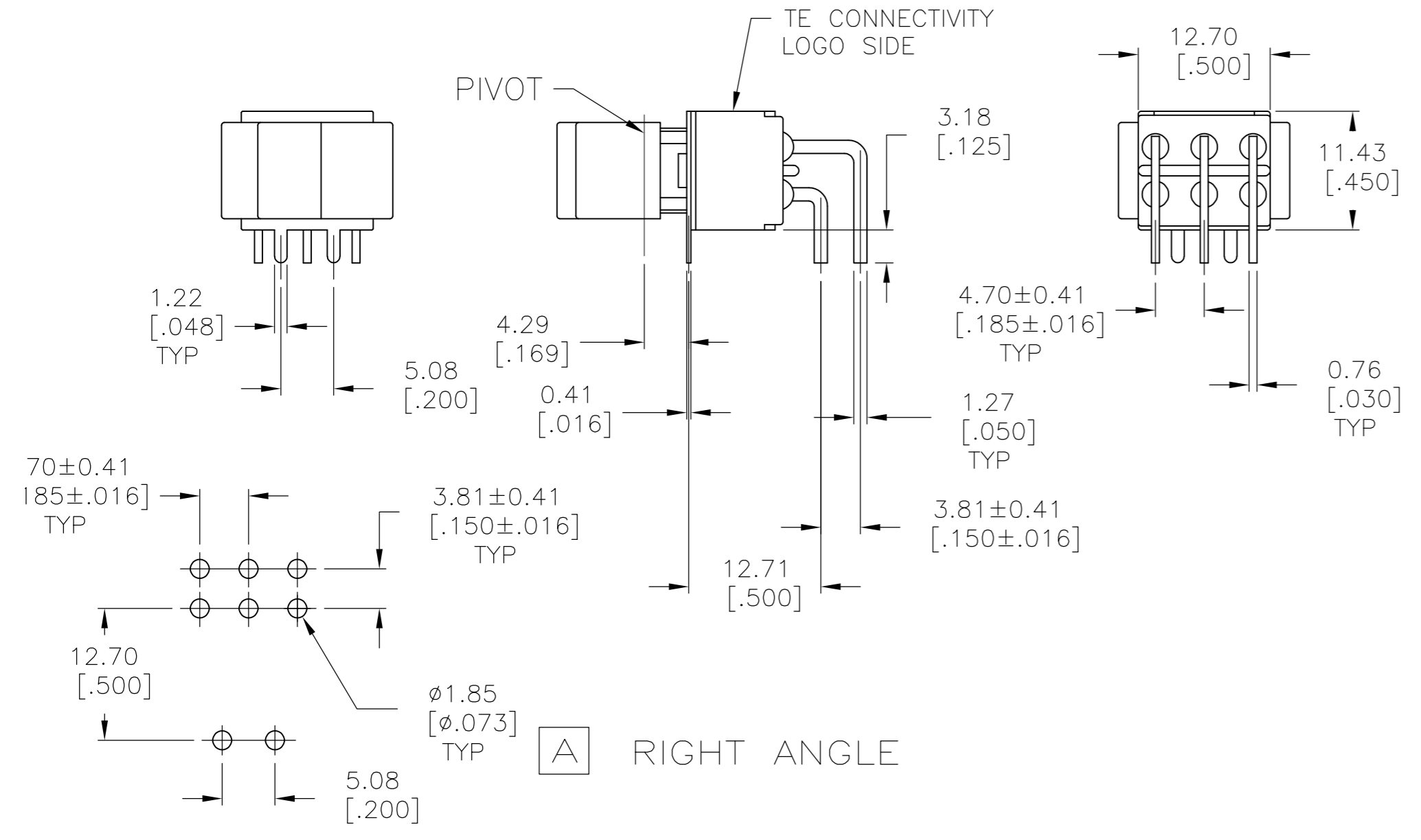


1.52-3.17 [0.060-.125]	15.75-15.87 [0.620-.625]
1.19-1.50 [0.047-.059]	15.72 [0.619]
PANEL THICKNESS	
DIM "A"	

THIS DRAWING IS A CONTROLLED DOCUMENT.		DWN	M.BINNER	06JAN05		TE Connectivity	
DIMENSIONS: mm [INCHES]		CHK	M.ZITTO	06JAN05		NAME	
TOLERANCES UNLESS OTHERWISE SPECIFIED:		APVD	M.ZITTO	06JAN05	GEMINI A SERIES ROCKER SWITCH		
0 PLC	± -	PRODUCT SPEC		DOUBLE POLE			
1 PLC	± -	APPLICATION SPEC		SIZE	A2	CAGE CODE	00779
2 PLC	± -	MATERIAL		DRAWING NO	C=1571987		RESTRICTED TO
3 PLC	± .010	FINISH		SCALE	2:1		SHEET
4 PLC	± -	MATERIAL		CUSTOMER DRAWING	3 OF 5		REV
ANGLES	± 4°	MATERIAL		A7			

THIS DRAWING IS UNPUBLISHED. RELEASED FOR PUBLICATION  
 © COPYRIGHT - By - ALL RIGHTS RESERVED.

LOC	DIST	REVISIONS			
P	LTR	DESCRIPTION	DATE	DWN	APVD
AD	00	SEE SHEET 1	-	-	-



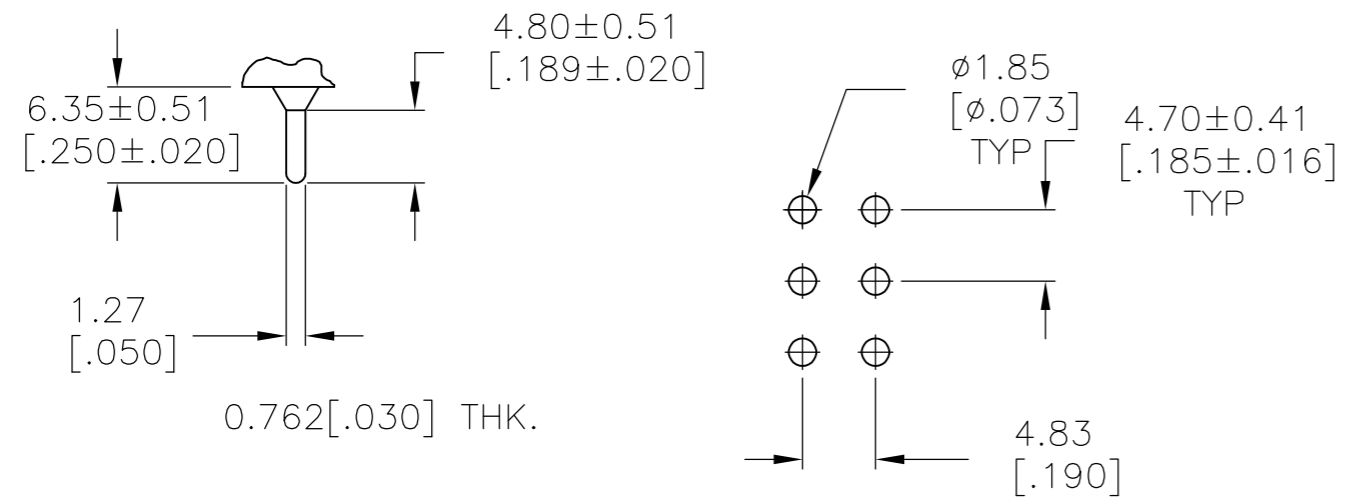
AV2 VERTICAL RIGHT ANGLE

V6 V7  
 VERTICAL SUPPORT BRACKET

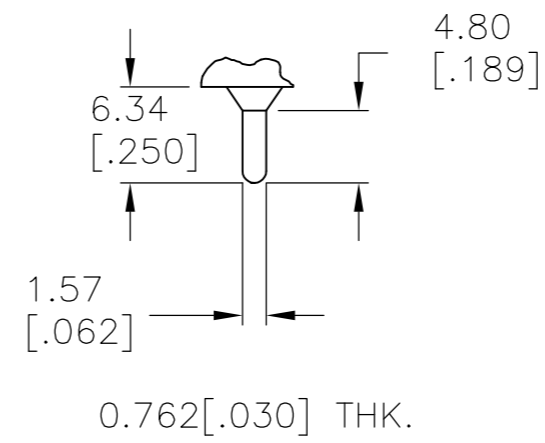
THIS DRAWING IS A CONTROLLED DOCUMENT.		DWN M.BINNER 06JAN05		
DIMENSIONS: mm [INCHES]		CHK M.ZITTO 06JAN05		
TOLERANCES UNLESS OTHERWISE SPECIFIED:		APVD M.ZITTO 06JAN05	NAME GEMINI A SERIES ROCKER SWITCH DOUBLE POLE	
0 PLC ± -		PRODUCT SPEC	SIZE A2	
1 PLC ± -		APPLICATION SPEC	CAGE CODE 00779	
2 PLC ± -		WEIGHT	DRAWING NO 1571987	
3 PLC ± .010		CUSTOMER DRAWING	RESTRICTED TO	
4 PLC ± -		SCALE 2:1	SHEET 4 OF 5	
ANGLES ± 4°		REV A7		
FINISH				

THIS DRAWING IS UNPUBLISHED. RELEASED FOR PUBLICATION  
 © COPYRIGHT - By - ALL RIGHTS RESERVED.

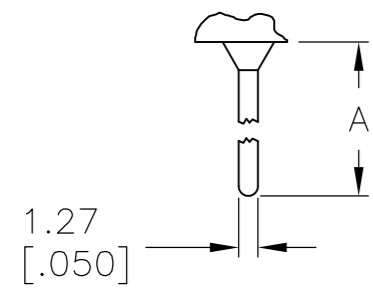
LOC		DIST		REVISIONS			
P	LTR	DESCRIPTION	DATE	DWN	APVD		
-	-	SEE SHEET 1	-	-	-		



**C** PRINTED CIRCUIT



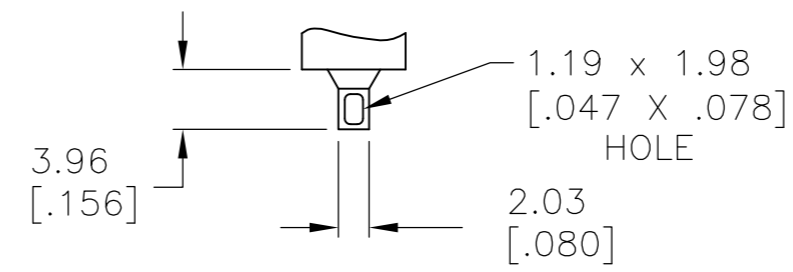
**Z3** QUICK CONNECT



OPTION	DIM A
W	18.69[.736]
W4	26.97[1.062]

0.762[.030] THK.

**W** **W4** WIRE WRAP



**Z** WIRE LUG

A213J61ZQ0004	4-1571987-4
A211J51ZQ0004	4-1571987-3
A208J61ZQ0004	4-1571987-2
A208J51ZQ0004	4-1571987-1
A208J1V3Q0004	4-1571987-0
NOT ASSIGNED	3-1571987-9
A207J61ZQ0004	3-1571987-8
A207J51ZQ0004	3-1571987-7
A207J3ZQ0004	3-1571987-6
A207J1ZQ0004	3-1571987-5
A205J61ZQ0004	3-1571987-4
A205J51ZQ0004	3-1571987-3
A205J2ZQ0004	3-1571987-2
A205J2CQ0004	3-1571987-1
A205J1ZQ0004	3-1571987-0
A205J1AV2Q0004	2-1571987-9
NOT ASSIGNED	2-1571987-8
A203J61ZQ0004	2-1571987-7
A203J51ZQ0004	2-1571987-6
NOT ASSIGNED	2-1571987-5
A203J1ZQ0004	2-1571987-4
NOT ASSIGNED	2-1571987-3
A203J1CQ204	2-1571987-2
A203J1AV2Q004	2-1571987-1
A203J1AQ004	2-1571987-0
A201J61ZQ0004	1-1571987-9
A201J61Z3Q0004	1-1571987-8
A201J51ZQ9904	1-1571987-7
NOT ASSIGNED	1-1571987-6
A201J51ZQ0004	1-1571987-5
A201J50ZQ004	1-1571987-4
A201J50AV2Q804	1-1571987-3
A201J50AV2Q004	1-1571987-2
A201J3ZQ004	1-1571987-1
A201J3ZB004	1-1571987-0
A201J2ZQ004	1571987-9
A201J2CQ004	1571987-8
A201J1ZQ004	1571987-7
A201J1V3Q004	1571987-6
A201J1CQ004	1571987-5
A201J1AV2Q004	1571987-4
A201J1AQ204	1571987-3
A201J1AQ004	1571987-2
A211J61Z3Q0004	1571987-1
ALCO P/N	P/N

MATERIALS CHART		
COMPONENT NAME	BASE MATERIAL	FINISH
CASE	DAP, RED, UL94 V-0	
FRAME	STAINLESS STEEL	
B TERMINALS & CONTACTS	COPPER	GOLD OVER NICKEL
G TERMINALS & CONTACTS	COPPER	GOLD OVER SILVER
Q TERMINALS & CONTACTS	COPPER	SILVER
ACTUATOR	PHENOLIC, BLACK, UL94 V-1	
ROCKER CAP	NYLON, BLACK, UL94 V-1	
BUSHING & ACTUATOR LEVER	ZINC ALLOY	NICKEL
SPRING	MUSIC WIRE	
SUPPORT BRACKET	BRASS	TIN
PIVOT PIN	STEEL	NICKEL
TERMINAL SEAL	EPOXY, UL94 V-1	

THIS DRAWING IS A CONTROLLED DOCUMENT.		DWN M.BINNER 06JAN05																				
DIMENSIONS: mm [INCHES]		CHK M.ZITTO 06JAN05																				
TOLERANCES UNLESS OTHERWISE SPECIFIED:		APVD M.ZITTO 06JAN05	NAME GEMINI A SERIES ROCKER SWITCH DOUBLE POLE																			
<table border="0"> <tr><td>0 PLC</td><td>±</td><td>-</td></tr> <tr><td>1 PLC</td><td>±</td><td>-</td></tr> <tr><td>2 PLC</td><td>±</td><td>-</td></tr> <tr><td>3 PLC</td><td>±</td><td>.010</td></tr> <tr><td>4 PLC</td><td>±</td><td>-</td></tr> <tr><td>ANGLES</td><td></td><td>± 4°</td></tr> </table>		0 PLC	±	-	1 PLC	±	-	2 PLC	±	-	3 PLC	±	.010	4 PLC	±	-	ANGLES		± 4°	PRODUCT SPEC -	RESTRICTED TO -	
0 PLC	±	-																				
1 PLC	±	-																				
2 PLC	±	-																				
3 PLC	±	.010																				
4 PLC	±	-																				
ANGLES		± 4°																				
MATERIAL -		FINISH -	WEIGHT -	SIZE A2																		
CUSTOMER DRAWING		SCALE 2:1	CAGE CODE 00779	DRAWING NO 1571987																		
		SHEET 5 of 5	REV A7																			



Компания «ЭлектроПласт» предлагает заключение долгосрочных отношений при поставках импортных электронных компонентов на взаимовыгодных условиях!

Наши преимущества:

- Оперативные поставки широкого спектра электронных компонентов отечественного и импортного производства напрямую от производителей и с крупнейших мировых складов;
- Поставка более 17-ти миллионов наименований электронных компонентов;
- Поставка сложных, дефицитных, либо снятых с производства позиций;
- Оперативные сроки поставки под заказ (от 5 рабочих дней);
- Экспресс доставка в любую точку России;
- Техническая поддержка проекта, помощь в подборе аналогов, поставка прототипов;
- Система менеджмента качества сертифицирована по Международному стандарту ISO 9001;
- Лицензия ФСБ на осуществление работ с использованием сведений, составляющих государственную тайну;
- Поставка специализированных компонентов (Xilinx, Altera, Analog Devices, Intersil, Interpoint, Microsemi, Aeroflex, Peregrine, Syfer, Eurofarad, Texas Instrument, Miteq, Cobham, E2V, MA-COM, Hittite, Mini-Circuits, General Dynamics и др.);

Помимо этого, одним из направлений компании «ЭлектроПласт» является направление «Источники питания». Мы предлагаем Вам помощь Конструкторского отдела:

- Подбор оптимального решения, техническое обоснование при выборе компонента;
- Подбор аналогов;
- Консультации по применению компонента;
- Поставка образцов и прототипов;
- Техническая поддержка проекта;
- Защита от снятия компонента с производства.



#### Как с нами связаться

**Телефон:** 8 (812) 309 58 32 (многоканальный)

**Факс:** 8 (812) 320-02-42

**Электронная почта:** [org@eplast1.ru](mailto:org@eplast1.ru)

**Адрес:** 198099, г. Санкт-Петербург, ул. Калинина, дом 2, корпус 4, литера А.