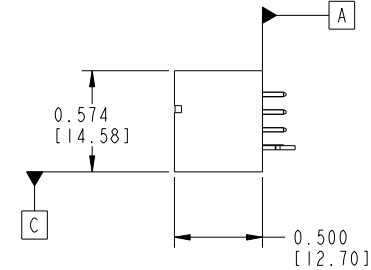
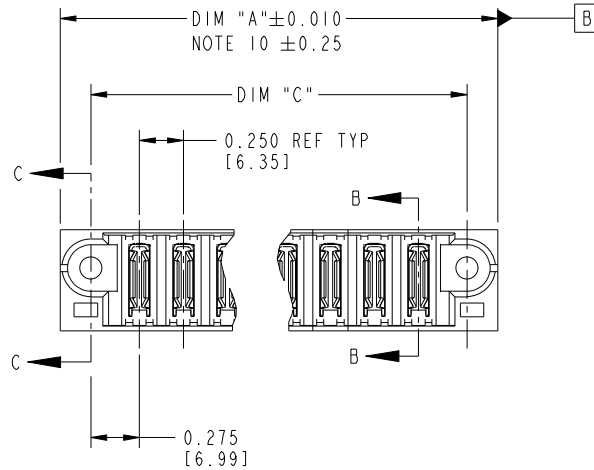
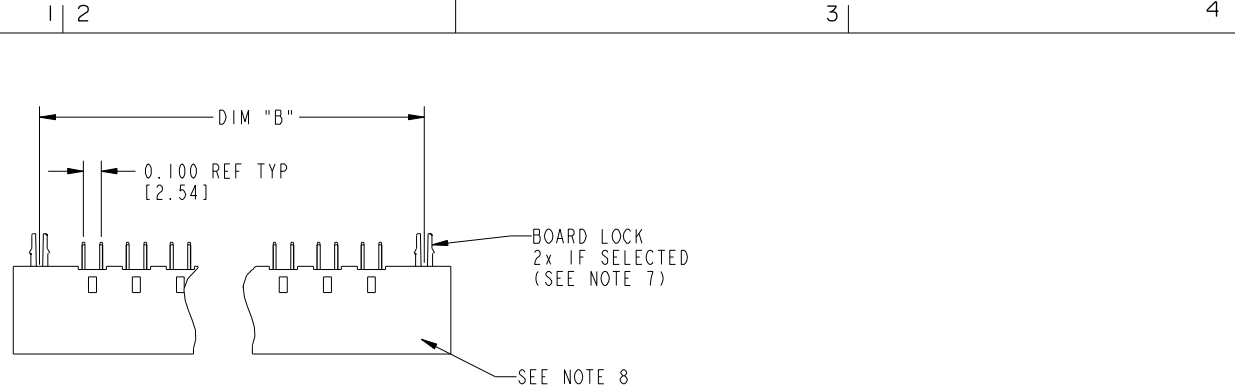


Tous droits strictement réservés. Reproduction ou communication à des tiers interdite sous quelque forme que ce soit sans autorisation écrite du propriétaire. Propriété de c.FCI. Droits de reproduction FCI.



All rights strictly reserved. Reproduction or issue to third parties in any form whatever is not permitted without written authority from the proprietor. Property of FCI. Copyright FCI.

PRODUCT NUMBER
51703-ABB00000EF__
Note: ①
SEE NOTE 1



| | | | | | | | | | | | | |
|-------------|-----------|----------------|----------|------------|--------------------|---------------------------------------|------|----------------|--------------------|-----------------------------------|--------|--|
| mat'l code | | | | SEE NOTE 2 | | tolerances unless otherwise specified | | CUSTOMER | | FCI | | |
| ltr | ecn no. | dr | date | linear | .XX±.01/.X±.3 | projection | COPY | | www.fciconnect.com | | | |
| A | V11839 | JRW | 07/09/01 | angles | .XXX±.005/.XX±.13 | INCH/MM | | title | | VERTICAL HEADER w/GUIDE PIN POWER | | |
| B | V12500 | DAI | 10-16-01 | | .XXX±.0020/.X±.051 | scale | | product family | | PWRBLADE code | | |
| C | V12513 | DAI | 11-07-01 | | 0°±2° | 1:1 | | size | | 213 | | |
| D | V21104 | TAB | 09-24-02 | dr | JRW | 10-16-01 | A | | dwg no | | 51703 | |
| E | DG05-0132 | SJ | 06/02/05 | enr | J.ALLISON | 10-16-01 | | | sheet | | 1 of 3 | |
| F | DG05-0193 | SJ | 06/24/05 | chr | J.ALLISON | 10-16-01 | | | cage code | | 22526 | |
| G | DG08-0239 | JC | 09/11/08 | appd | J.ALLISON | 10-16-01 | | | | | | |
| sheet index | | revision sheet | | G | G | G | | | | | | |
| | | I | | 2 | 3 | | | | | | | |

Pro/E

cage code 22526

Tous droits strictement réservés. Reproduction ou communication à des tiers interdite sous quelque forme que ce soit sans autorisation écrite du propriétaire. Propriété de c FCI. Droits de reproduction FCI.

All rights strictly reserved. Reproduction or issue to third parties in any form whatever is not permitted without written authority from the proprietor. Property of FCI. Copyright FCI.

| |
|--------------------|
| PRODUCT NUMBER |
| 51703-ABB00000EF__ |
| Note: ① |
| SEE NOTE 1 |

| | |
|---------|--|
| DIM | LENGTH FORMULAS (SEE NOTE 9) |
| DIM "A" | .250 [6.35] x BB + .650 [16.51] (NOTE 9) |
| DIM "B" | .250 [6.35] x BB + .350 [8.81] |
| DIM "C" | .250 [6.35] x BB + .300 [7.62] |
| DIM "F" | .250 [6.35] x BB + .680 [17.27] |

CONNECTOR NOTES:

- ①. PRODUCT NUMBER CODE:
51703 - A BB 000 00 E F LF
 - NO THIS SUFFIX: 100u"/2.54um SnPb ON PCB INTERFACE
 - ADD THIS SUFFIX: 78u"/2.00um Sn ON PCB INTERFACE
 - RETENTION TO PCB (NOTE 7)
 - TAIL OPTIONS (NOTE 6)
 - ALWAYS '00' (ZERO,ZERO)
 - ALWAYS '000' (ZERO,ZERO,ZERO) (NOTE 5)
 - NUMBER OF POWER CONTACTS (NOTE 4)
 - PLATING (NOTE 3)
 - BASE NUMBER
- ②. HOUSING MATERIAL: UL94 V-0 GLASS FILLED HIGH TEMP THERMO PLASTIC
POWER CONTACT MATERIAL: COPPER ALLOY
- ③. PLATING OPTION:
I = SEE PRINT I0064183 FOR PLATING SPEC OF 51703-1BB00000EF; 51703-1BB00000EFLF
- ④. POWER CONTACTS, 01 TO 20 AVAILABLE.
MAXIMUM OF 20 POWER CONTACTS PER CONNECTOR
- ⑤. THIS PART IS NOT AVAILABLE WITH SIGNAL CONTACTS.
- ⑥. TAIL OPTIONS:
A = 0.135 +0.015/-0.010 [3.43 +0.37/-0.25] SOLDER TO BOARD
B = 0.165 +0.015/-0.010 [4.19 +0.37/-0.25] SOLDER TO BOARD
C = 0.165 +0.015/-0.010 [4.19 +0.37/-0.25] PRESS FIT

- ⑦. RETENTION TO PCB OPTIONS:
A = BOARD LOCK (REQUIRES Ø0.098 +0.002/-0.001 [2.49 +0.05/-0.03] THRU HOLE IN PCB).
(NOT AVAILABLE WITH PRESS-FIT)
C = NO RETENTION FEATURE
 - ⑧. MANUFACTURE'S NAME, P/N, AND DATE CODE TO APPEAR ON THIS SURFACE.
 - ⑨. THE MAXIMUM OVERALL LENGTH (DIM A) OF A PART IS 8.00 [203.2]
 - 10. PRODUCT SPECIFICATION GS-12-149
 - 11. DIMENSIONS AND TOLERANCES ARE IN ACCORDANCE WITH ASME Y14.5M, 1994 UNLESS OTHERWISE SPECIFIED.
- PCB NOTES:
- 12. ALL DIMENSIONS ARE BASIC UNLESS OTHERWISE SPECIFIED.
 - 13. ALL THROUGH HOLES ARE LOCATED WITH A TRUE POSITION OF 0.004 [0.10]
 - 14. ALL HOLE DIAMETERS ARE FINISHED HOLE SIZE.
 - 15. Ø0.098 [2.49] THROUGH HOLES ARE UNPLATED
 - 16. Ø0.0453 ±0.0010 [1.151 ±0.025] DRILLED HOLES PLATED WITH: 0.0003 [0.008] MIN SnPb OVER 0.001 [0.03] TO 0.003 [0.08] Cu PLATING TO ACHIEVE A Ø0.040±0.003 [1.02±0.07] HOLE.
 - 17. FOR PRESSFIT APPLICATION USE C1 CAM TOOL 430169-XXX.
 - 18. SYMBOL WILL BE NEXT TO ANY DIMENSION, VIEW, OR NOTE WHICH HAS BEEN MODIFIED WITH THE CURRENT DRAWING REVISION.

| | | | | | | | | | | | |
|-----------------------|----------------|----|------|---------------------------------------|--------------------|------------|--|----------------|-----------------------------------|--------------------|--|
| mat'l code SEE NOTE 2 | | | | tolerances unless otherwise specified | | CUSTOMER | | | | www.fciconnect.com | |
| ltr | ecn no. | dr | date | linear | .XX±.01/.X±.3 | COPY | | | title | | |
| G | | | | | .XXX±.005/.XX±.13 | projection | | | VERTICAL HEADER w/GUIDE PIN POWER | | |
| | | | | | .XXX±.0020/.X±.051 | | | | | | |
| | | | | angles | 0°±2° | INCH/MM | | product family | | code | |
| | | | | dr | JRW 10-16-01 | scale | | PWRBLADE | | 213 | |
| | | | | enrg | J.ALLISON 10-16-01 | 3:2 | | size | | sheet | |
| | | | | chr | J.ALLISON 10-16-01 | A | | dwg no | | 2 of 3 | |
| | | | | appd | J.ALLISON 10-16-01 | | | 51703 | | | |
| sheet index | revision sheet | | | | | | | | | | |

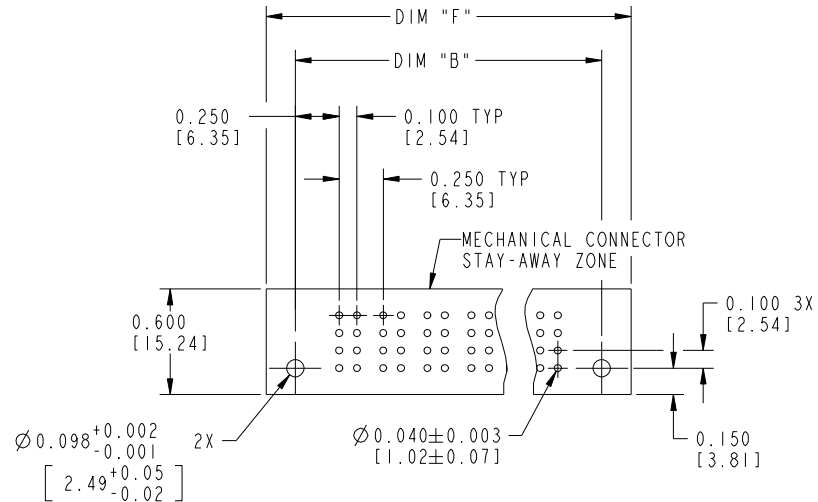
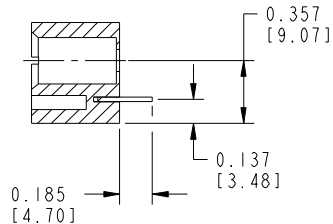
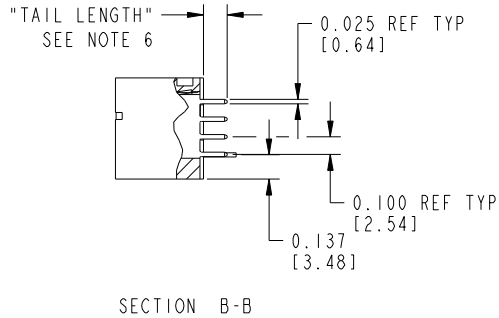
cage code 22526

Tous droits strictement réservés. Reproduction ou communication à des tiers interdite sous quelque forme que ce soit sans autorisation écrite du propriétaire. Propriété de c.FCI. Droits de reproduction FCI.



All rights strictly reserved. Reproduction or issue to third parties in any form whatever is not permitted without written authority from the proprietor. Property of FCI. Copyright FCI.

| |
|---------------------|
| PRODUCT NUMBER |
| 51703-ABB00000EF_-- |
| Note: ① |
| SEE NOTE 1 |



| | | | | | | | | | | | |
|-------------|---------|----------------|------|------------|--------------------|---------------------------------------|----------------|----------|-----------------------------------|--------|-----|
| mat'l code | | | | SEE NOTE 2 | | tolerances unless otherwise specified | | CUSTOMER | | FCI | |
| ltr | ecn no. | dr | date | linear | .XX±.01/.X±.3 | projection | COPY | | www.fciconnect.com | | |
| G | | | | angles | .XXX±.005/.XX±.13 | | title | | VERTICAL HEADER w/GUIDE PIN POWER | | |
| | | | | dr | .XXX±.0020/.X±.051 | | product family | | PWRBLADE | code | |
| | | | | enr | 0°±2° | scale | size | | dwg no | 51703 | 213 |
| | | | | chr | JRW 10-16-01 | 1:1 | product family | | PWRBLADE | sheet | |
| | | | | appd | J.ALLISON 10-16-01 | | size | | A | 3 of 3 | |
| sheet index | | revision sheet | | | | | | | | | |

cage code 22526

Pro/E



Компания «ЭлектроПласт» предлагает заключение долгосрочных отношений при поставках импортных электронных компонентов на взаимовыгодных условиях!

Наши преимущества:

- Оперативные поставки широкого спектра электронных компонентов отечественного и импортного производства напрямую от производителей и с крупнейших мировых складов;
- Поставка более 17-ти миллионов наименований электронных компонентов;
- Поставка сложных, дефицитных, либо снятых с производства позиций;
- Оперативные сроки поставки под заказ (от 5 рабочих дней);
- Экспресс доставка в любую точку России;
- Техническая поддержка проекта, помощь в подборе аналогов, поставка прототипов;
- Система менеджмента качества сертифицирована по Международному стандарту ISO 9001;
- Лицензия ФСБ на осуществление работ с использованием сведений, составляющих государственную тайну;
- Поставка специализированных компонентов (Xilinx, Altera, Analog Devices, Intersil, Interpoint, Microsemi, Aeroflex, Peregrine, Syfer, Eurofarad, Texas Instrument, Miteq, Cobham, E2V, MA-COM, Hittite, Mini-Circuits, General Dynamics и др.);

Помимо этого, одним из направлений компании «ЭлектроПласт» является направление «Источники питания». Мы предлагаем Вам помощь Конструкторского отдела:

- Подбор оптимального решения, техническое обоснование при выборе компонента;
- Подбор аналогов;
- Консультации по применению компонента;
- Поставка образцов и прототипов;
- Техническая поддержка проекта;
- Защита от снятия компонента с производства.



Как с нами связаться

Телефон: 8 (812) 309 58 32 (многоканальный)

Факс: 8 (812) 320-02-42

Электронная почта: org@eplast1.ru

Адрес: 198099, г. Санкт-Петербург, ул. Калинина, дом 2, корпус 4, литера А.