

FEATURES

- Integrated dual 12-bit ADC**
- Single 3 V supply operation (2.7 V to 3.6 V)**
- SNR = 70 dB (to Nyquist, AD9238-65)**
- SFDR = 80.5 dBc (to Nyquist, AD9238-65)**
- Low power: 300 mW/channel at 65 MSPS**
- Differential input with 500 MHz, 3 dB bandwidth**
- Exceptional crosstalk immunity > 85 dB**
- Flexible analog input: 1 V p-p to 2 V p-p range**
- Offset binary or twos complement data format**
- Clock duty cycle stabilizer**
- Output datamux option**

APPLICATIONS

- Ultrasound equipment**
- Direct conversion or IF sampling receivers**
 - WB-CDMA, CDMA2000, WiMAX**
- Battery-powered instruments**
- Hand-held scopemeters**
- Low cost, digital oscilloscopes**

GENERAL DESCRIPTION

The AD9238 is a dual, 3 V, 12-bit, 20 MSPS/40 MSPS/65 MSPS analog-to-digital converter (ADC). It features dual high performance sample-and-hold amplifiers (SHAs) and an integrated voltage reference. The AD9238 uses a multistage differential pipelined architecture with output error correction logic to provide 12-bit accuracy and to guarantee no missing codes over the full operating temperature range at up to 65 MSPS data rates. The wide bandwidth, differential SHA allows for a variety of user-selectable input ranges and offsets, including single-ended applications. It is suitable for various applications, including multiplexed systems that switch full-scale voltage levels in successive channels and for sampling inputs at frequencies well beyond the Nyquist rate.

Dual single-ended clock inputs are used to control all internal conversion cycles. A duty cycle stabilizer is available and can compensate for wide variations in the clock duty cycle, allowing the converter to maintain excellent performance. The digital output data is presented in either straight binary or twos complement format. Out-of-range signals indicate an overflow condition, which can be used with the most significant bit to determine low or high overflow.

Rev. C

Information furnished by Analog Devices is believed to be accurate and reliable. However, no responsibility is assumed by Analog Devices for its use, nor for any infringements of patents or other rights of third parties that may result from its use. Specifications subject to change without notice. No license is granted by implication or otherwise under any patent or patent rights of Analog Devices. Trademarks and registered trademarks are the property of their respective owners.

FUNCTIONAL BLOCK DIAGRAM

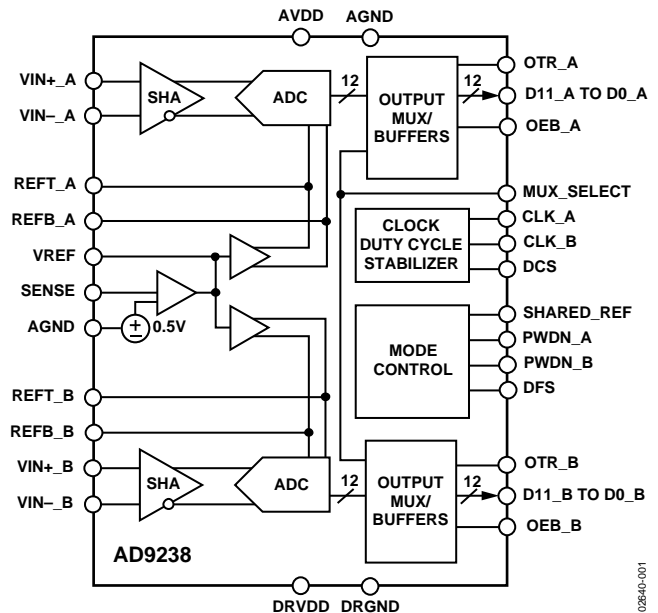


Figure 1.

Fabricated on an advanced CMOS process, the AD9238 is available in a Pb-free, space saving, 64-lead LQFP or LFCSP and is specified over the industrial temperature range (-40°C to $+85^{\circ}\text{C}$).

PRODUCT HIGHLIGHTS

1. Pin-compatible with the AD9248, 14-bit 20MSPS/40 MSPS/65 MSPS ADC.
2. Speed grade options of 20 MSPS, 40 MSPS, and 65 MSPS allow flexibility between power, cost, and performance to suit an application.
3. Low power consumption: AD9238-65: 65 MSPS = 600 mW, AD9238-40: 40 MSPS = 330 mW, and AD9238-20: 20 MSPS = 180 mW.
4. Typical channel isolation of 85 dB @ $f_{IN} = 10$ MHz.
5. The clock duty cycle stabilizer (AD9238-20/AD9238-40/AD9238-65) maintains performance over a wide range of clock duty cycles.
6. Multiplexed data output option enables single-port operation from either Data Port A or Data Port B.

TABLE OF CONTENTS

| | | | |
|---|----|---|----|
| Specifications..... | 4 | Clock Circuitry..... | 21 |
| DC Specifications..... | 4 | Analog Inputs..... | 21 |
| AC Specifications..... | 5 | Reference Circuitry..... | 21 |
| Digital Specifications..... | 6 | Digital Control logic..... | 21 |
| Switching Specifications..... | 6 | Outputs..... | 21 |
| Absolute Maximum Ratings..... | 7 | LQFP Evaluation Board Bill of Materials (BOM)..... | 23 |
| Explanation of Test Levels..... | 7 | LQFP Evaluation Board Schematics..... | 24 |
| ESD Caution..... | 7 | LQFP PCB Layers..... | 28 |
| Pin Configurations and Function Descriptions..... | 8 | Dual ADC LFCSP PCB..... | 34 |
| Terminology..... | 10 | Power Connector..... | 34 |
| Typical Performance Characteristics..... | 11 | Analog Inputs..... | 34 |
| Equivalent Circuits..... | 15 | Optional Operational Amplifier..... | 34 |
| Theory of Operation..... | 16 | Clock..... | 34 |
| Analog Input..... | 16 | Voltage Reference..... | 34 |
| Clock Input and Considerations..... | 17 | Data Outputs..... | 34 |
| Power Dissipation and Standby Mode..... | 18 | LFCSP Evaluation Board Bill of Materials (BOM)..... | 35 |
| Digital Outputs..... | 18 | LFCSP PCB Schematics..... | 36 |
| Timing..... | 18 | LFCSP PCB Layers..... | 39 |
| Data Format..... | 19 | Thermal Considerations..... | 44 |
| Voltage Reference..... | 19 | Outline Dimensions..... | 45 |
| AD9238 LQFP Evaluation Board..... | 21 | Ordering Guide..... | 46 |

REVISION HISTORY

11/10—Rev. B to Rev. C

| | |
|---|----|
| Changes to Absolute Maximum Ratings Section..... | 7 |
| Added Figure 4; Renumbered Sequentially..... | 8 |
| Changes to Analog Input Section..... | 16 |
| Deleted Note 1 from Dual ADC LFCSP PCB Section..... | 34 |
| Changes to Outline Dimensions..... | 45 |

4/05—Rev. A to Rev. B

| | |
|--|-----------|
| Changes to Format and Layout..... | Universal |
| Added LFCSP..... | Universal |
| Changes to Features and Applications..... | 1 |
| Changes to General Description and Product Highlights..... | 1 |
| Changes to Figure 1..... | 1 |
| Changes to Table 1..... | 3 |

| | |
|--|----|
| Changes to Table 2..... | 5 |
| Added Digital Specifications..... | 6 |
| Moved Switching Specifications to..... | 6 |
| Changes to Pin Function Descriptions..... | 8 |
| Changes to Terminology Section..... | 10 |
| Changes to Figure 29..... | 15 |
| Changes to Clock Input and Considerations Section..... | 17 |
| Changes to Figure 33..... | 18 |
| Changes to Data Format Section..... | 19 |
| Added AD9238 LQFP Evaluation Board Section..... | 21 |
| Added Dual ADC LFCSP PCB Section..... | 34 |
| Added Thermal Considerations Section..... | 44 |
| Updated Outline Dimensions..... | 45 |
| Changes to Ordering Guide..... | 46 |

9/03—Rev. 0 to Rev. A

Changes to DC Specifications 2
Changes to Switching Specifications 3
Changes to AC Specifications..... 4
Changes to Figure 1..... 4
Changes to Ordering Guide..... 5
Changes to TPCs 2, 3, and 6 8
Changes to Clock Input and Considerations Section..... 13
Added Text to Data Format Section 15
Changes to Figure 9..... 16
Added Evaluation Board Diagrams Section 17
Update Outline Dimensions 24

2/03—Revision 0: Initial Version

SPECIFICATIONS

DC SPECIFICATIONS

AVDD = 3 V, DRVDD = 2.5 V, maximum sample rate, CLK_A = CLK_B; A_{IN} = -0.5 dBFS differential input, 1.0 V internal reference, T_{MIN} to T_{MAX}, DCS enabled, unless otherwise noted.

Table 1.

| Parameter | Temp | Test Level | AD9238BST/BCP-20 | | | AD9238BST/BCP-40 | | | AD9238BST/BCP-65 | | | Unit |
|--|------|------------|------------------|-------|------|------------------|-------|------|------------------|-------|-------|---------|
| | | | Min | Typ | Max | Min | Typ | Max | Min | Typ | Max | |
| RESOLUTION | Full | VI | 12 | | | 12 | | | 12 | | | Bits |
| ACCURACY | | | | | | | | | | | | |
| No Missing Codes Guaranteed | Full | VI | 12 | | | 12 | | | 12 | | | Bits |
| Offset Error | Full | VI | | ±0.30 | ±1.2 | | ±0.50 | ±1.1 | | ±0.50 | ±1.1 | % FSR |
| Gain Error ¹ | Full | IV | | ±0.30 | ±2.2 | | ±0.50 | ±2.4 | | ±0.50 | ±2.5 | % FSR |
| Differential Nonlinearity (DNL) ² | Full | V | | ±0.35 | | | ±0.35 | | | ±0.35 | | LSB |
| | 25°C | I | | ±0.35 | ±0.9 | | ±0.35 | ±0.8 | | ±0.35 | ±1.0 | LSB |
| Integral Nonlinearity (INL) ² | Full | V | | ±0.45 | | | ±0.60 | | | ±0.70 | | LSB |
| | 25°C | I | | ±0.40 | ±1.4 | | ±0.50 | ±1.4 | | ±0.55 | ±1.75 | LSB |
| TEMPERATURE DRIFT | | | | | | | | | | | | |
| Offset Error | Full | V | | ±4 | | | ±4 | | | ±6 | | µV/°C |
| Gain Error | Full | V | | ±12 | | | ±12 | | | ±12 | | ppm/°C |
| INTERNAL VOLTAGE REFERENCE | | | | | | | | | | | | |
| Output Voltage Error (1 V Mode) | Full | VI | | ±5 | ±35 | | ±5 | ±35 | | ±5 | ±35 | mV |
| Load Regulation @ 1.0 mA | Full | V | | 0.8 | | | 0.8 | | | 0.8 | | mV |
| Output Voltage Error (0.5 V Mode) | Full | V | | ±2.5 | | | ±2.5 | | | ±2.5 | | mV |
| Load Regulation @ 0.5 mA | Full | V | | 0.1 | | | 0.1 | | | 0.1 | | mV |
| INPUT REFERRED NOISE | | | | | | | | | | | | |
| Input Span = 1 V | 25°C | V | | 0.54 | | | 0.54 | | | 0.54 | | LSB rms |
| Input Span = 2.0 V | 25°C | V | | 0.27 | | | 0.27 | | | 0.27 | | LSB rms |
| ANALOG INPUT | | | | | | | | | | | | |
| Input Span = 1.0 V | Full | IV | | 1 | | | 1 | | | 1 | | V p-p |
| Input Span = 2.0 V | Full | IV | | 2 | | | 2 | | | 2 | | V p-p |
| Input Capacitance ³ | Full | V | | 7 | | | 7 | | | 7 | | pF |
| REFERENCE INPUT RESISTANCE | Full | V | | 7 | | | 7 | | | 7 | | kΩ |
| POWER SUPPLIES | | | | | | | | | | | | |
| Supply Voltages | | | | | | | | | | | | |
| AVDD | Full | IV | 2.7 | 3.0 | 3.6 | 2.7 | 3.0 | 3.6 | 2.7 | 3.0 | 3.6 | V |
| DRVDD | Full | IV | 2.25 | 3.0 | 3.6 | 2.25 | 3.0 | 3.6 | 2.25 | 3.0 | 3.6 | V |
| Supply Current | | | | | | | | | | | | |
| IAVDD ² | Full | V | | 60 | | | 110 | | | 200 | | mA |
| IDRVDD ² | Full | V | | 4 | | | 10 | | | 14 | | mA |
| PSRR | Full | V | | ±0.01 | | | ±0.01 | | | ±0.01 | | % FSR |
| POWER CONSUMPTION | | | | | | | | | | | | |
| DC Input ⁴ | Full | V | | 180 | | | 330 | | | 600 | | mW |
| Sine Wave Input ² | Full | VI | | 190 | 212 | | 360 | 397 | | 640 | 698 | mW |
| Standby Power ⁵ | Full | V | | 2.0 | | | 2.0 | | | 2.0 | | mW |
| MATCHING CHARACTERISTICS | | | | | | | | | | | | |
| Offset Error | 25°C | V | | ±0.1 | | | ±0.1 | | | ±0.1 | | % FSR |
| Gain Error | 25°C | V | | ±0.05 | | | ±0.05 | | | ±0.05 | | % FSR |

¹ Gain error and gain temperature coefficient are based on the ADC only (with a fixed 1.0 V external reference).

² Measured at maximum clock rate with a low frequency sine wave input and approximately 5 pF loading on each output bit.

³ Input capacitance refers to the effective capacitance between one differential input pin and AVSS. Refer to Figure 29 for the equivalent analog input structure.

⁴ Measured with dc input at maximum clock rate.

⁵ Standby power is measured with the CLK_A and CLK_B pins inactive (that is, set to AVDD or AGND).

AC SPECIFICATIONS

AVDD = 3 V, DRVDD = 2.5 V, maximum sample rate, CLK_A = CLK_B; A_{IN} = -0.5 dBFS differential input, 1.0 V internal reference, T_{MIN} to T_{MAX}, DCS enabled, unless otherwise noted.

Table 2.

| Parameter | Temp | Test Level | AD9238BST/BCP-20 | | | AD9238BST/BCP-40 | | | AD9238BST/BCP-65 | | | Unit |
|--|------|------------|------------------|-------|-----|------------------|------|-----|------------------|------|------|------|
| | | | Min | Typ | Max | Min | Typ | Max | Min | Typ | Max | |
| SIGNAL-TO-NOISE RATIO (SNR) | | | | | | | | | | | | |
| f _{INPUT} = 2.4 MHz | 25°C | V | | 70.4 | | 70.4 | | | 70.3 | | dB | |
| f _{INPUT} = 9.7 MHz | Full | V | | 70.2 | | | | | | | dB | |
| | 25°C | IV | 69.7 | 70.4 | | | | | | | dB | |
| f _{INPUT} = 19.6 MHz | Full | V | | | | 70.1 | | | | | dB | |
| | 25°C | IV | | | | 69.7 | 70.3 | | | | dB | |
| f _{INPUT} = 32.5 MHz | Full | V | | | | | | | 69.3 | | dB | |
| | 25°C | IV | | | | | | | 68.7 | 70.0 | dB | |
| f _{INPUT} = 100 MHz | 25°C | V | | 68.7 | | | 68.3 | | | 67.6 | dB | |
| SIGNAL-TO-NOISE AND DISTORTION RATIO (SINAD) | | | | | | | | | | | | |
| f _{INPUT} = 2.4 MHz | 25°C | V | | 70.2 | | 70.2 | | | 70.1 | | dB | |
| f _{INPUT} = 9.7 MHz | Full | V | | 70.1 | | | | | | | dB | |
| | 25°C | IV | 69.3 | 70.2 | | | | | | | dB | |
| f _{INPUT} = 19.6 MHz | Full | V | | | | 69.9 | | | | | dB | |
| | 25°C | IV | | | | 69.4 | 70.1 | | | | dB | |
| f _{INPUT} = 32.5 MHz | Full | V | | | | | | | 68.9 | | dB | |
| | 25°C | IV | | | | | | | 68.1 | 69.1 | dB | |
| f _{INPUT} = 100 MHz | 25°C | V | | 67.9 | | | 67.9 | | | 66.6 | dB | |
| EFFECTIVE NUMBER OF BITS (ENOB) | | | | | | | | | | | | |
| f _{INPUT} = 2.4 MHz | 25°C | V | | 11.5 | | 11.5 | | | 11.4 | | Bits | |
| f _{INPUT} = 9.7 MHz | Full | V | | 11.4 | | | | | | | Bits | |
| | 25°C | IV | 11.3 | 11.5 | | | | | | | Bits | |
| f _{INPUT} = 19.6 MHz | Full | V | | | | 11.4 | | | | | Bits | |
| | 25°C | IV | | | | 11.3 | 11.4 | | | | Bits | |
| f _{INPUT} = 32.5 MHz | Full | V | | | | | | | 11.2 | | Bits | |
| | 25°C | IV | | | | | | | 11.1 | 11.3 | Bits | |
| f _{INPUT} = 100 MHz | 25°C | V | | 11.1 | | | 11.1 | | | 10.9 | Bits | |
| WORST HARMONIC (SECOND or THIRD) | | | | | | | | | | | | |
| f _{INPUT} = 9.7 MHz | Full | V | | -84.0 | | | | | | | dBc | |
| f _{INPUT} = 19.6 MHz | Full | V | | | | -85.0 | | | | | dBc | |
| f _{INPUT} = 35 MHz | Full | V | | | | | | | -80.0 | | dBc | |
| SPURIOUS-FREE DYNAMIC RANGE (SFDR) | | | | | | | | | | | | |
| f _{INPUT} = 2.4 MHz | 25°C | V | | 86.0 | | 86.0 | | | 86.0 | | dBc | |
| f _{INPUT} = 9.7 MHz | Full | V | | 84.0 | | | | | | | dBc | |
| | 25°C | I | 76.1 | 86.0 | | | | | | | dBc | |
| f _{INPUT} = 19.6 MHz | Full | V | | | | 85.0 | | | | | dBc | |
| | 25°C | I | | | | 76.7 | 86.0 | | | | dBc | |
| f _{INPUT} = 32.5 MHz | Full | V | | | | | | | 80.0 | | dBc | |
| | 25°C | I | | | | | | | 72.5 | 80.5 | dBc | |
| f _{INPUT} = 100 MHz | 25°C | V | | | | | | | | 75.0 | dBc | |
| CROSSTALK | | | | | | | | | | | | |
| | Full | V | | -85.0 | | -85.0 | | | -85.0 | | dB | |

AD9238

DIGITAL SPECIFICATIONS

AVDD = 3 V, DRVDD = 2.5 V, maximum sample rate, CLK_A = CLK_B; A_{IN} = -0.5 dBFS differential input, 1.0 V internal reference, T_{MIN} to T_{MAX}, DCS enabled, unless otherwise noted.

Table 3.

| Parameter | Temp | Test Level | AD9238BST/BCP-20 | | | AD9238BST/BCP-40 | | | AD9238BST/BCP-65 | | | Unit |
|----------------------------|------|------------|------------------|-----|------|------------------|-----|------|------------------|-----|------|------|
| | | | Min | Typ | Max | Min | Typ | Max | Min | Typ | Max | |
| LOGIC INPUTS | | | | | | | | | | | | |
| High Level Input Voltage | Full | IV | 2.0 | | | 2.0 | | | 2.0 | | | V |
| Low Level Input Voltage | Full | IV | | | 0.8 | | | 0.8 | | | 0.8 | V |
| High Level Input Current | Full | IV | -10 | | +10 | -10 | | +10 | -10 | | +10 | μA |
| Low Level Input Current | Full | IV | -10 | | +10 | -10 | | +10 | -10 | | +10 | μA |
| Input Capacitance | Full | IV | | 2 | | | 2 | | | 2 | | pF |
| LOGIC OUTPUTS ¹ | | | | | | | | | | | | |
| High Level Output Voltage | Full | IV | DRVDD - 0.05 | | | DRVDD - 0.05 | | | DRVDD - 0.05 | | | V |
| Low Level Output Voltage | Full | IV | | | 0.05 | | | 0.05 | | | 0.05 | V |

¹ Output voltage levels measured with capacitive load only on each output.

SWITCHING SPECIFICATIONS

AVDD = 3 V, DRVDD = 2.5 V, maximum sample rate, CLK_A = CLK_B; A_{IN} = -0.5 dBFS differential input, 1.0 V internal reference, T_{MIN} to T_{MAX}, DCS enabled, unless otherwise noted.

Table 4.

| Parameter | Temp | Test Level | AD9238BST/BCP-20 | | | AD9238BST/BCP-40 | | | AD9238BST/BCP-65 | | | Unit |
|--|------|------------|------------------|-----|-----|------------------|-----|-----|------------------|-----|-----|--------|
| | | | Min | Typ | Max | Min | Typ | Max | Min | Typ | Max | |
| SWITCHING PERFORMANCE | | | | | | | | | | | | |
| Maximum Conversion Rate | Full | VI | 20 | | | 40 | | | 65 | | | MSPS |
| Minimum Conversion Rate | Full | V | | | 1 | | | 1 | | | 1 | MSPS |
| CLK Period | Full | V | 50.0 | | | 25.0 | | | 15.4 | | | ns |
| CLK Pulse-Width High ¹ | Full | V | 15.0 | | | 8.8 | | | 6.2 | | | ns |
| CLK Pulse-Width Low ¹ | Full | V | 15.0 | | | 8.8 | | | 6.2 | | | ns |
| DATA OUTPUT PARAMETER | | | | | | | | | | | | |
| Output Delay ² (t _{PD}) | Full | VI | 2 | 3.5 | 6 | 2 | 3.5 | 6 | 2 | 3.5 | 6 | ns |
| Pipeline Delay (Latency) | Full | V | | 7 | | | 7 | | | 7 | | Cycles |
| Aperture Delay (t _A) | Full | V | | 1.0 | | | 1.0 | | | 1.0 | | ns |
| Aperture Uncertainty (t _i) | Full | V | | 0.5 | | | 0.5 | | | 0.5 | | ps rms |
| Wake-Up Time ³ | Full | V | | 2.5 | | | 2.5 | | | 2.5 | | ms |
| OUT-OF-RANGE RECOVERY TIME | Full | V | | 2 | | | 2 | | | 2 | | Cycles |

¹ The AD9238-65 model has a duty cycle stabilizer circuit that, when enabled, corrects for a wide range of duty cycles (see Figure 24).

² Output delay is measured from clock 50% transition to data 50% transition, with a 5 pF load on each output.

³ Wake-up time is dependent on the value of the decoupling capacitors; typical values shown with 0.1 μF and 10 μF capacitors on REFT and REFB.

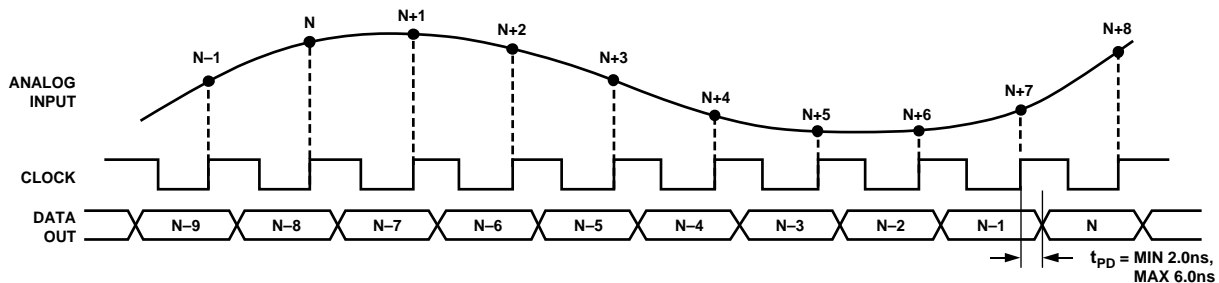


Figure 2. Timing Diagram

ABSOLUTE MAXIMUM RATINGS

Absolute maximum ratings are limiting values to be applied individually, and beyond which the serviceability of the circuit may be impaired. Functional operability is not necessarily implied. Exposure to absolute maximum rating conditions for an extended period may affect device reliability.

Table 5.

| Parameter | Rating |
|---|-------------------------|
| ELECTRICAL | |
| AVDD to AGND | −0.3 V to +3.9 V |
| DRVDD to DRGND | −0.3 V to +3.9 V |
| AGND to DRGND | −0.3 V to +0.3 V |
| AVDD to DRVDD | −3.9 V to +3.9 V |
| Digital Outputs to DRGND | −0.3 V to DRVDD + 0.3 V |
| OEB, DFS, CLK, DCS, MUX_SELECT, SHARED_REF to AGND | −0.3 V to AVDD + 0.3 V |
| VINA, VINB to AGND | −0.3 V to AVDD + 0.3 V |
| VREF to AGND | −0.3 V to AVDD + 0.3 V |
| SENSE to AGND | −0.3 V to AVDD + 0.3 V |
| REFB, REFT to AGND | −0.3 V to AVDD + 0.3 V |
| PDWN to AGND | −0.3 V to AVDD + 0.3 V |
| ENVIRONMENTAL¹ | |
| Operating Temperature | −40°C to +85°C |
| Junction Temperature | 150°C |
| Lead Temperature (10 sec) | 300°C |
| Storage Temperature | −65°C to +150°C |

¹ Typical thermal impedances: 64-lead LQFP, $\theta_{JA} = 54^{\circ}\text{C}/\text{W}$; 64-lead LFCSP, $\theta_{JA} = 26.4^{\circ}\text{C}/\text{W}$ with heat slug soldered to ground plane. These measurements were taken on a 4-layer board in still air, in accordance with EIA/JESD51-7.

EXPLANATION OF TEST LEVELS

- I 100% production tested.
- II 100% production tested at 25°C and sample tested at specified temperatures.
- III Sample tested only.
- IV Parameter is guaranteed by design and characterization testing.
- V Parameter is a typical value only.
- VI 100% production tested at 25°C; guaranteed by design and characterization testing for industrial temperature range; 100% production tested at temperature extremes for military devices.

ESD CAUTION



ESD (electrostatic discharge) sensitive device. Charged devices and circuit boards can discharge without detection. Although this product features patented or proprietary protection circuitry, damage may occur on devices subjected to high energy ESD. Therefore, proper ESD precautions should be taken to avoid performance degradation or loss of functionality.

PIN CONFIGURATIONS AND FUNCTION DESCRIPTIONS

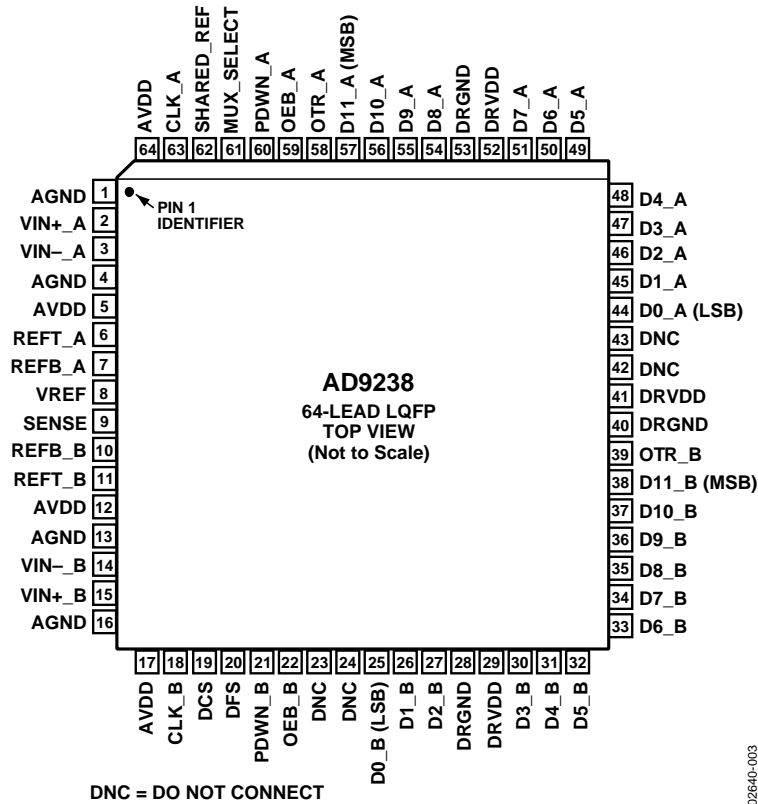
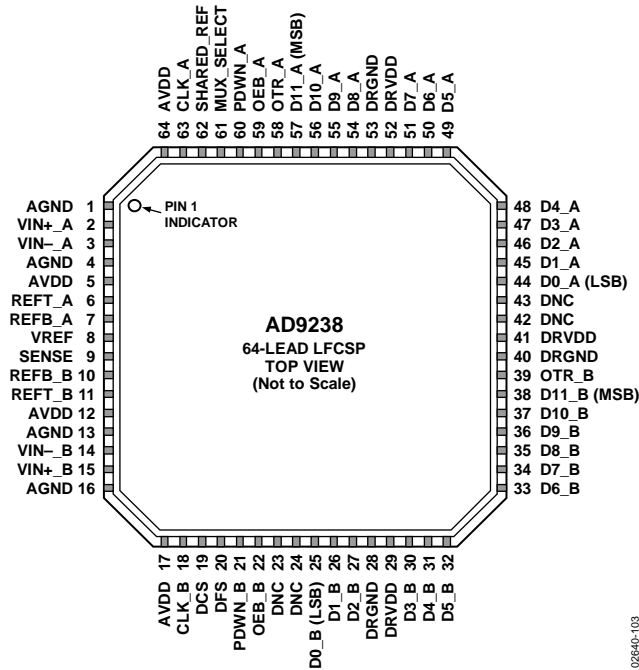


Figure 3. 64-Lead LQFP Pin Configuration



- NOTES**
1. THERE IS AN EXPOSED PAD THAT MUST CONNECT TO AGND.
 2. DNC = DO NOT CONNECT.

Figure 4. 64-Lead LFCSP Pin Configuration

Table 6. 64-Lead LQFP and 64-Lead LFCSP Pin Function Descriptions

| Pin No. | Mnemonic | Description |
|-----------------------|------------------------------|---|
| 1, 4, 13, 16 | AGND | Analog Ground. |
| 2 | VIN+_A | Analog Input Pin (+) for Channel A. |
| 3 | VIN-_A | Analog Input Pin (–) for Channel A. |
| 5, 12, 17, 64 | AVDD | Analog Power Supply. |
| 6 | REFT_A | Differential Reference (+) for Channel A. |
| 7 | REFB_A | Differential Reference (–) for Channel A. |
| 8 | VREF | Voltage Reference Input/Output. |
| 9 | SENSE | Reference Mode Selection. |
| 10 | REFB_B | Differential Reference (–) for Channel B. |
| 11 | REFT_B | Differential Reference (+) for Channel B. |
| 14 | VIN-_B | Analog Input Pin (–) for Channel B. |
| 15 | VIN+_B | Analog Input Pin (+) for Channel B. |
| 18 | CLK_B | Clock Input Pin for Channel B. |
| 19 | DCS | Enable Duty Cycle Stabilizer (DCS) Mode (Tie High to Enable). |
| 20 | DFS | Data Output Format Select Bit (Low for Offset Binary, High for Twos Complement). |
| 21 | PDWN_B | Power-Down Function Selection for Channel B: Logic 0 enables Channel B. Logic 1 powers down Channel B. (Outputs static, not High-Z.) |
| 22 | OEB_B | Output Enable Bit for Channel B: Logic 0 enables Data Bus B. Logic 1 sets outputs to High-Z. |
| 23, 24, 42, 43 | DNC | Do Not Connect Pins. Should be left floating. |
| 25 to 27, 30 to 38 | DO_B (LSB) to D11_B (MSB) | Channel B Data Output Bits. |
| 28, 40, 53 | DRGND | Digital Output Ground. |
| 29, 41, 52 | DRVDD | Digital Output Driver Supply. Must be decoupled to DRGND with a minimum 0.1 μ F capacitor. Recommended decoupling is 0.1 μ F capacitor in parallel with 10 μ F. |
| 39 | OTR_B | Out-of-Range Indicator for Channel B. |
| 44 to 51, 54 to 57 | DO_A (LSB) to D11_A (MSB) | Channel A Data Output Bits. |
| 58 | OTR_A | Out-of-Range Indicator for Channel A. |
| 59 | OEB_A | Output Enable Bit for Channel A: Logic 0 enables Data Bus A. Logic 1 sets outputs to High-Z. |
| 60 | PDWN_A | Power-Down Function Selection for Channel A: Logic 0 enables Channel A. Logic 1 powers down Channel A. (Outputs static, not High-Z.) |
| 61 | MUX_SELECT | Data Multiplexed Mode. (See Data Format section for how to enable; high setting disables output data multiplexed mode). |
| 62 | SHARED_REF | Shared Reference Control Bit (Low for Independent Reference Mode, High for Shared Reference Mode). |
| 63 | CLK_A | Clock Input Pin for Channel A. |
| | EP | For the 64-Lead LFCSP only, there is an exposed pad that must connect to AGND. |

TERMINOLOGY

Aperture Delay

SHA performance measured from the rising edge of the clock input to when the input signal is held for conversion.

Aperture Jitter

The variation in aperture delay for successive samples, which is manifested as noise on the input to the ADC.

Integral Nonlinearity (INL)

Deviation of each individual code from a line drawn from negative full scale through positive full scale. The point used as negative full scale occurs ½ LSB before the first code transition. Positive full scale is defined as a level 1½ LSB beyond the last code transition. The deviation is measured from the middle of each particular code to the true straight line.

Differential Nonlinearity (DNL, No Missing Codes)

An ideal ADC exhibits code transitions that are exactly 1 LSB apart. DNL is the deviation from this ideal value. Guaranteed no missing codes to 12-bit resolution indicates that all 4,096 codes must be present over all operating ranges.

Offset Error

The major carry transition should occur for an analog value ½ LSB below $V_{IN+} = V_{IN-}$. Offset error is defined as the deviation of the actual transition from that point.

Gain Error

The first code transition should occur at an analog value ½ LSB above negative full scale. The last transition should occur at an analog value 1½ LSB below the nominal full scale. Gain error is the deviation of the actual difference between first and last code transitions and the ideal difference between first and last code transitions.

Temperature Drift

The temperature drift for zero error and gain error specifies the maximum change from the initial (25°C) value to the value at T_{MIN} or T_{MAX} .

Power Supply Rejection

The specification shows the maximum change in full scale from the value with the supply at the minimum limit to the value with the supply at its maximum limit.

Total Harmonic Distortion (THD)

The ratio of the rms sum of the first six harmonic components to the rms value of the measured input signal, expressed as a percentage or in decibels relative to the peak carrier signal (dBc).

Signal-to-Noise and Distortion (SINAD) Ratio

The ratio of the rms value of the measured input signal to the rms sum of all other spectral components below the Nyquist

frequency, including harmonics but excluding dc. The value for SINAD is expressed in dB.

Effective Number of Bits (ENOB)

Using the following formula

$$ENOB = (SINAD - 1.76)/6.02$$

ENOB for a device for sine wave inputs at a given input frequency can be calculated directly from its measured SINAD.

Signal-to-Noise Ratio (SNR)

The ratio of the rms value of the measured input signal to the rms sum of all other spectral components below the Nyquist frequency, excluding the first six harmonics and dc. The value for SNR is expressed in dB.

Spurious-Free Dynamic Range (SFDR)

The difference in dB between the rms amplitude of the input signal and the peak spurious signal, which may or may not be a harmonic.

Nyquist Sampling

When the frequency components of the analog input are below the Nyquist frequency ($f_{CLOCK}/2$), this is often referred to as Nyquist sampling.

IF Sampling

Due to the effects of aliasing, an ADC is not limited to Nyquist sampling. Higher sampled frequencies are aliased down into the first Nyquist zone ($DC - f_{CLOCK}/2$) on the output of the ADC. The bandwidth of the sampled signal should not overlap Nyquist zones and alias onto itself. Nyquist sampling performance is limited by the bandwidth of the input SHA and clock jitter (jitter adds more noise at higher input frequencies).

Two-Tone SFDR

The ratio of the rms value of either input tone to the rms value of the peak spurious component. The peak spurious component may or may not be an IMD product.

Out-of-Range Recovery Time

The time it takes for the ADC to reacquire the analog input after a transient from 10% above positive full scale to 10% above negative full scale, or from 10% below negative full scale to 10% below positive full scale.

Crosstalk

Coupling onto one channel being driven by a (-0.5 dBFS) signal when the adjacent interfering channel is driven by a full-scale signal. Measurement includes all spurs resulting from both direct coupling and mixing components.

TYPICAL PERFORMANCE CHARACTERISTICS

AVDD, DRVDD = 3.0 V, T = 25°C, A_{IN} differential drive, full scale = 2 V, unless otherwise noted.

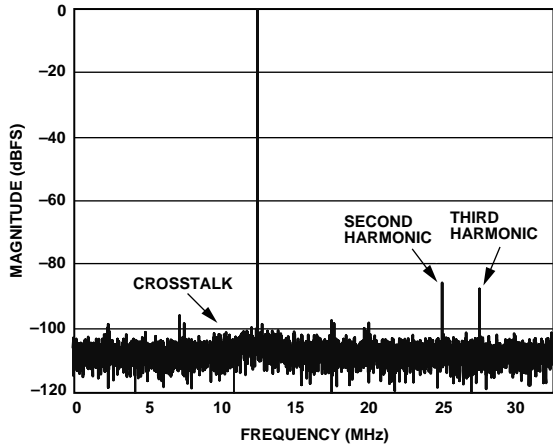


Figure 5. Single-Tone FFT of Channel A Digitizing $f_{IN} = 12.5$ MHz While Channel B Is Digitizing $f_{IN} = 10$ MHz

02640-004

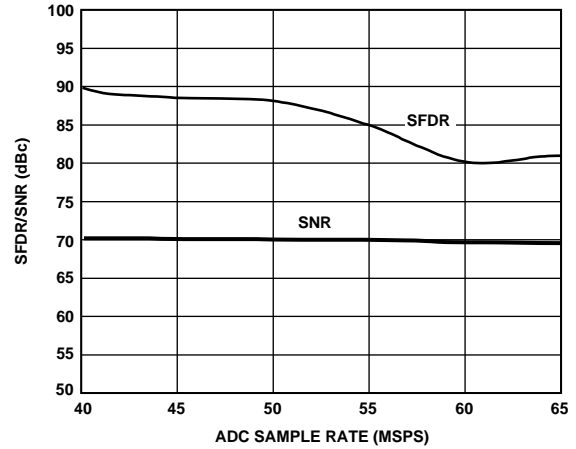


Figure 8. AD9238-65 Single-Tone SNR/SFDR vs. FS with $f_{IN} = 32.5$ MHz

02640-007

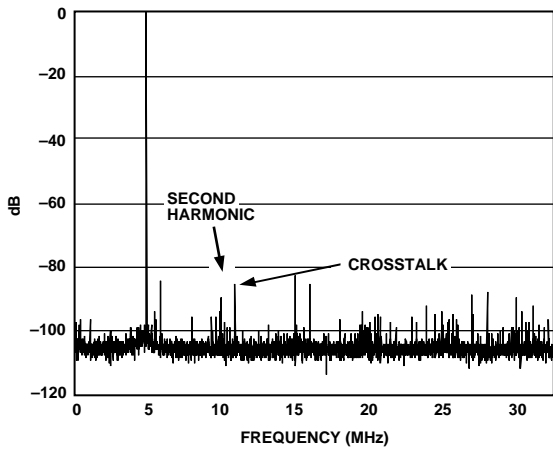


Figure 6. Single-Tone FFT of Channel A Digitizing $f_{IN} = 70$ MHz While Channel B Is Digitizing $f_{IN} = 76$ MHz

02640-005

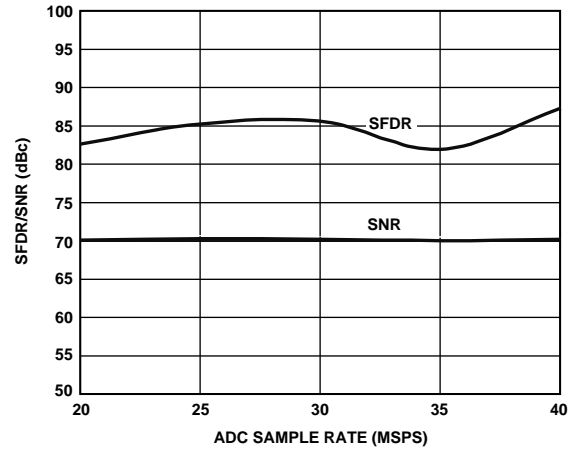


Figure 9. AD9238-40 Single-Tone SNR/SFDR vs. FS with $f_{IN} = 20$ MHz

02640-008

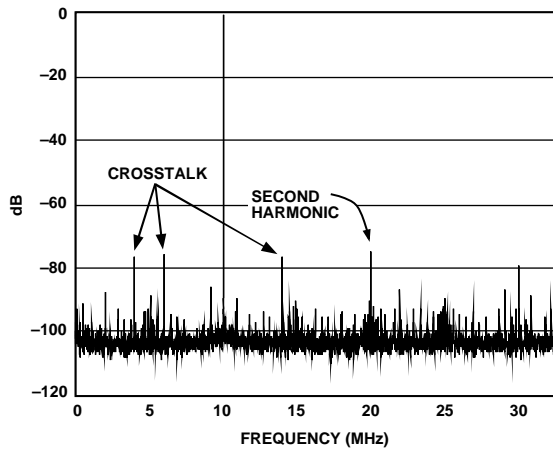


Figure 7. Single-Tone FFT of Channel A Digitizing $f_{IN} = 120$ MHz While Channel B is Digitizing $f_{IN} = 126$ MHz

02640-006

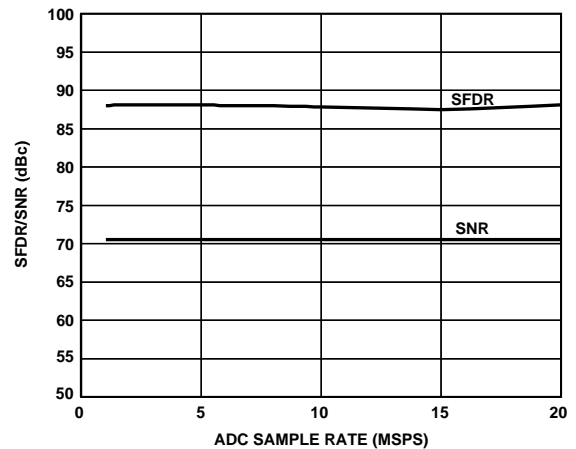
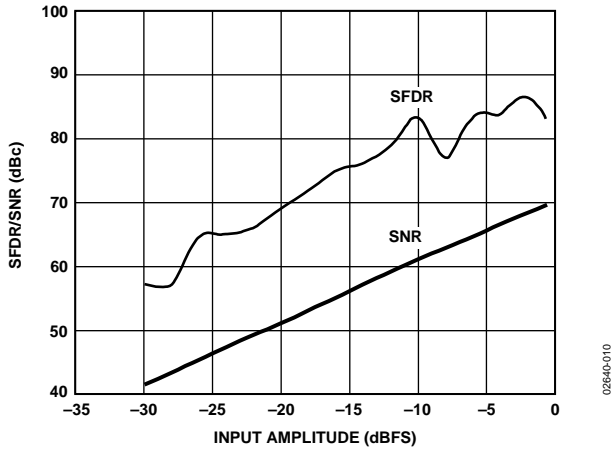


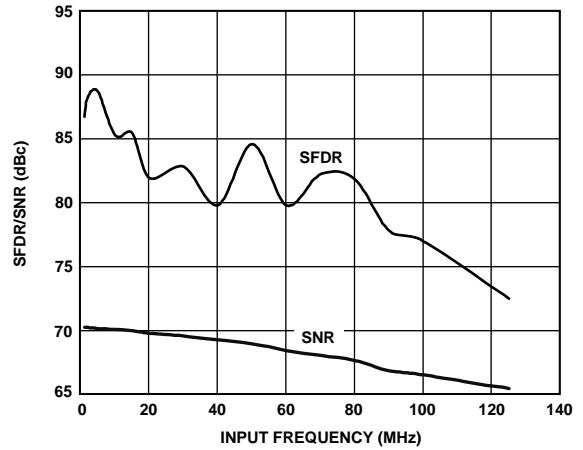
Figure 10. AD9238-20 Single-Tone SNR/SFDR vs. FS with $f_{IN} = 10$ MHz

02640-009



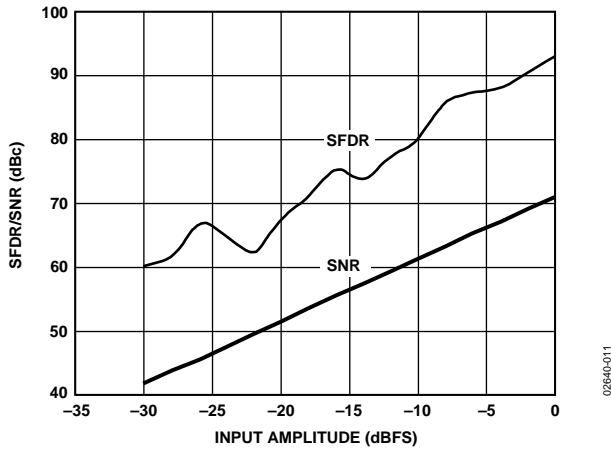
02640-010

Figure 11. AD9238-65 Single-Tone SNR/SFDR vs. AIN with $f_{IN} = 32.5$ MHz



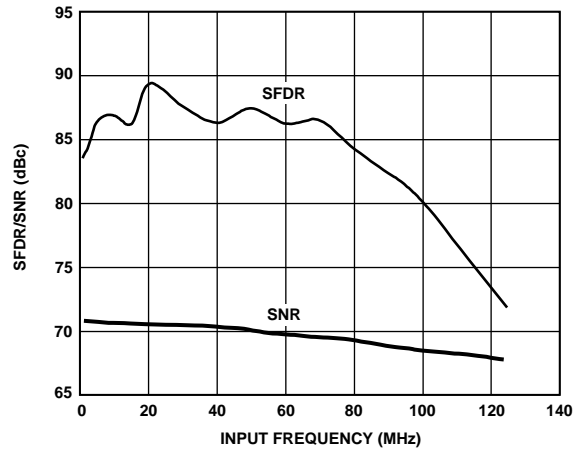
02640-013

Figure 14. AD9238-65 Single-Tone SNR/SFDR vs. f_{IN}



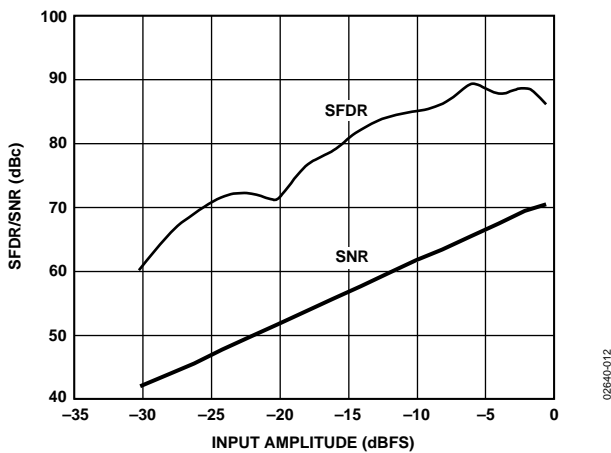
02640-011

Figure 12. AD9238-40 Single-Tone SNR/SFDR vs. AIN with $f_{IN} = 20$ MHz



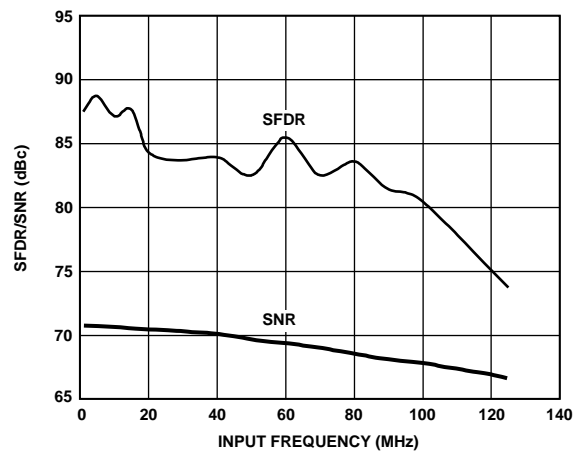
02640-014

Figure 15. AD9238-40 Single-Tone SNR/SFDR vs. f_{IN}



02640-012

Figure 13. AD9238-20 Single-Tone SNR/SFDR vs. AIN with $f_{IN} = 10$ MHz



02640-015

Figure 16. AD9238-20 Single-Tone SNR/SFDR vs. f_{IN}

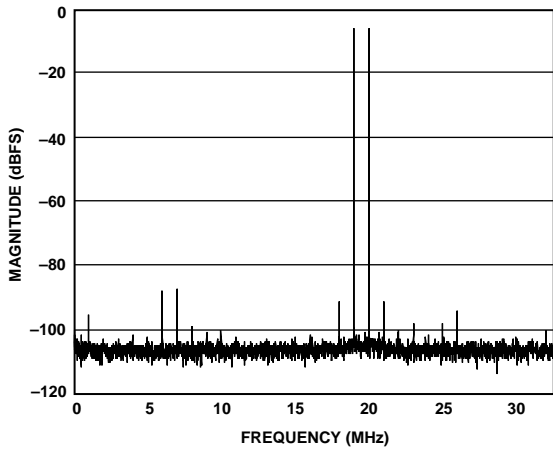


Figure 17. Dual-Tone FFT with $f_{IN1} = 45$ MHz and $f_{IN2} = 46$ MHz

02640-016

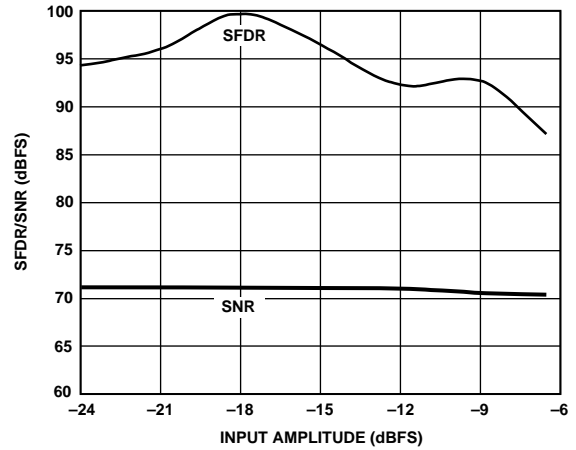


Figure 20. Dual-Tone SNR/SFDR vs. AIN with $f_{IN1} = 45$ MHz and $f_{IN2} = 46$ MHz

02640-019

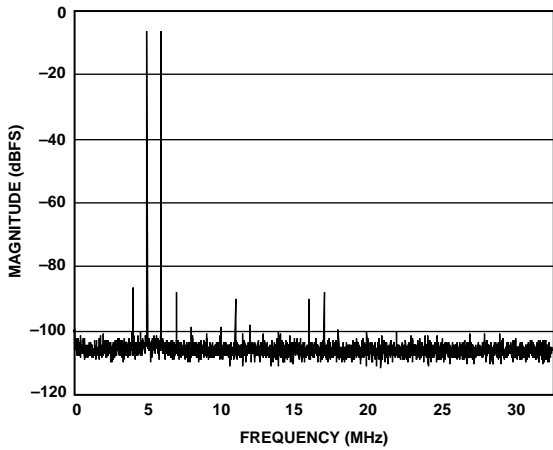


Figure 18. Dual-Tone FFT with $f_{IN1} = 70$ MHz and $f_{IN2} = 71$ MHz

02640-017

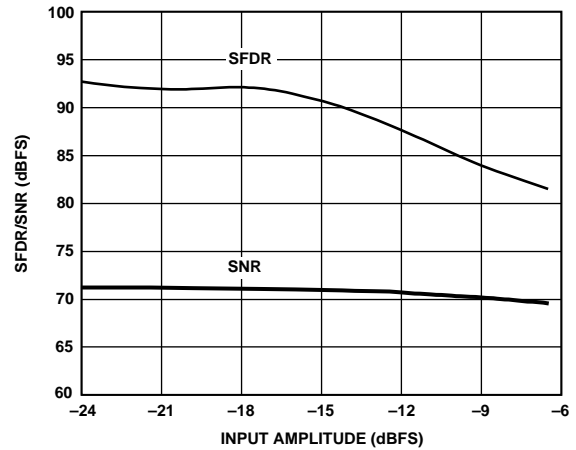


Figure 21. Dual-Tone SNR/SFDR vs. AIN with $f_{IN1} = 70$ MHz and $f_{IN2} = 71$ MHz

02640-020

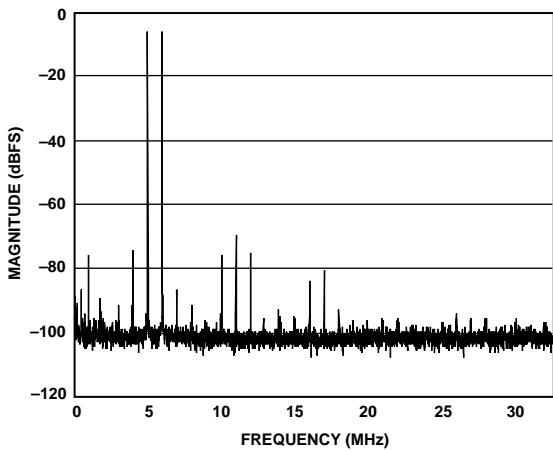


Figure 19. Dual-Tone FFT with $f_{IN1} = 200$ MHz and $f_{IN2} = 201$ MHz

02640-018

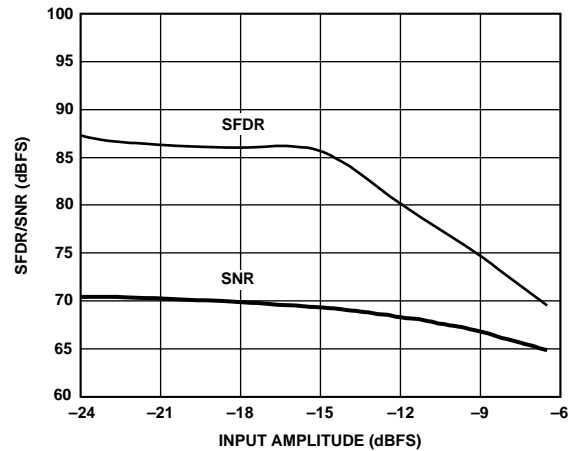


Figure 22. Dual-Tone SNR/SFDR vs. AIN with $f_{IN1} = 200$ MHz and $f_{IN2} = 201$ MHz

02640-021

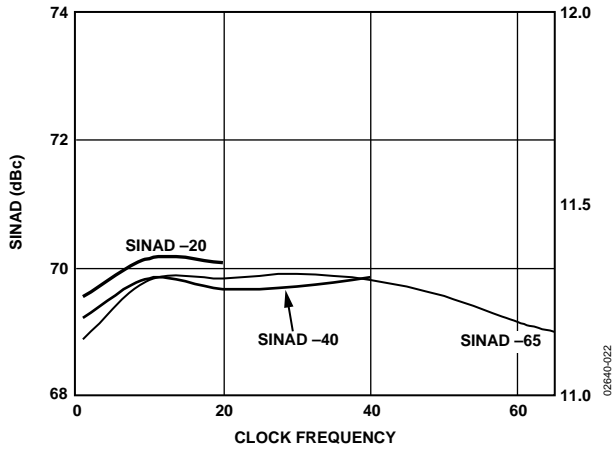


Figure 23. SINAD vs. FS with Nyquist Input

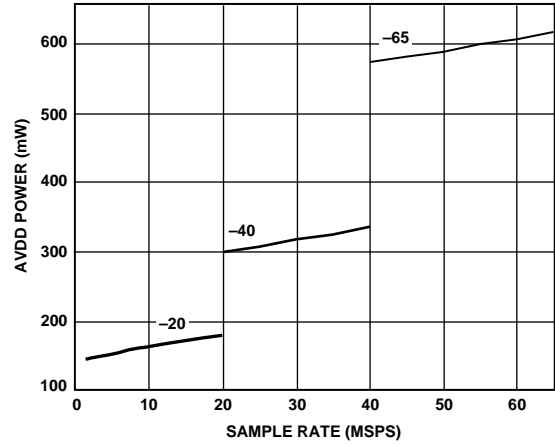


Figure 26. Analog Power Consumption vs. FS

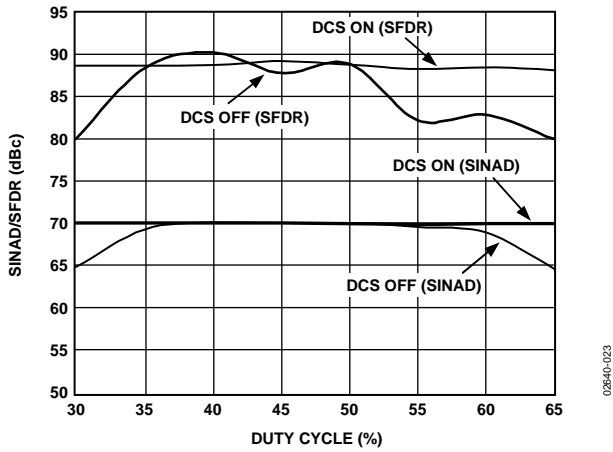


Figure 24. SINAD/SFDR vs. Clock Duty Cycle

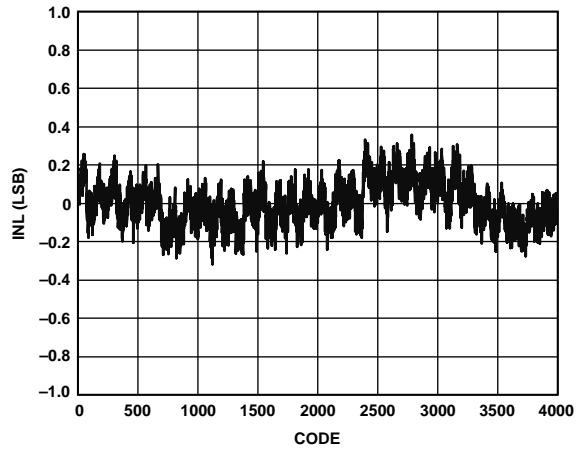


Figure 27. AD9238-65 Typical INL

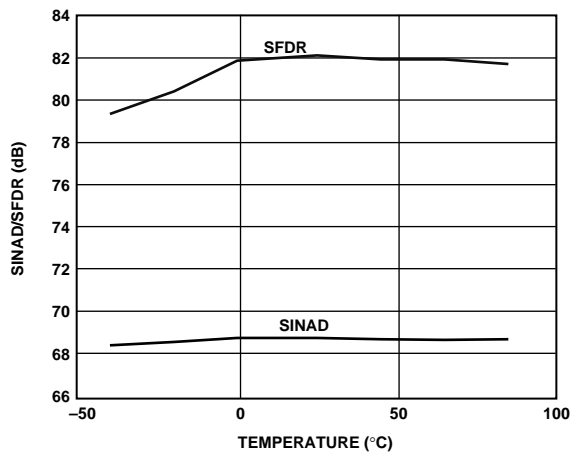


Figure 25. SINAD/SFDR vs. Temperature with $f_{IN} = 32.5$ MHz

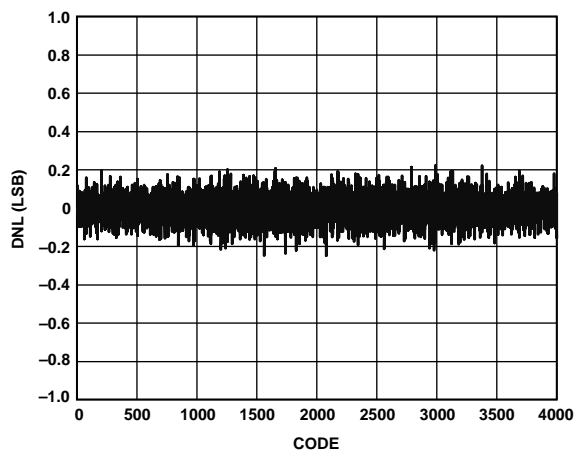


Figure 28. AD9238-65 Typical DNL

EQUIVALENT CIRCUITS

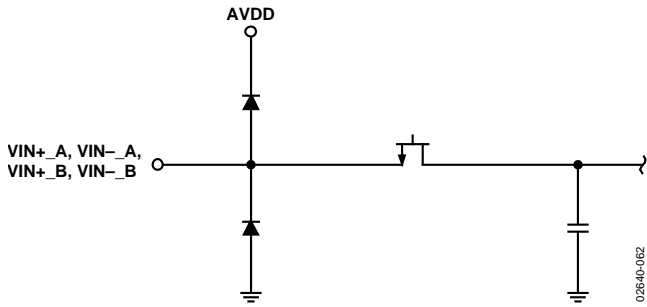


Figure 29. Equivalent Analog Input Circuit

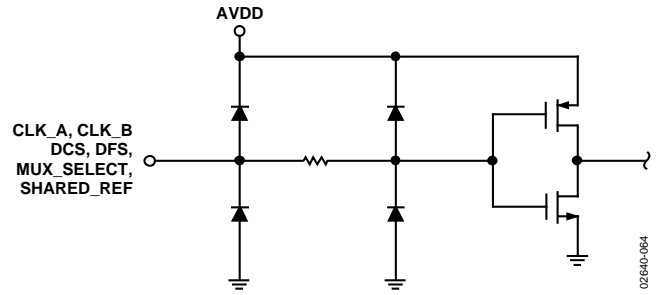


Figure 31. Equivalent Digital Input Circuit

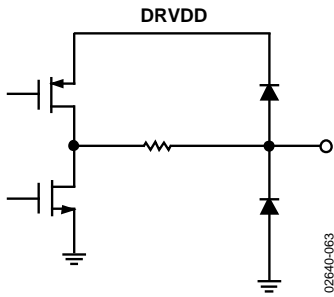


Figure 30. Equivalent Digital Output Circuit

THEORY OF OPERATION

The AD9238 consists of two high performance ADCs that are based on the AD9235 converter core. The dual ADC paths are independent, except for a shared internal band gap reference source, VREF. Each of the ADC paths consists of a proprietary front end SHA followed by a pipelined switched-capacitor ADC. The pipelined ADC is divided into three sections, consisting of a 4-bit first stage, followed by eight 1.5-bit stages, and a final 3-bit flash. Each stage provides sufficient overlap to correct for flash errors in the preceding stages. The quantized outputs from each stage are combined through the digital correction logic block into a final 12-bit result. The pipelined architecture permits the first stage to operate on a new input sample, while the remaining stages operate on preceding samples. Sampling occurs on the rising edge of the respective clock.

Each stage of the pipeline, excluding the last, consists of a low resolution flash ADC and a residual multiplier to drive the next stage of the pipeline. The residual multiplier uses the flash ADC output to control a switched-capacitor digital-to-analog converter (DAC) of the same resolution. The DAC output is subtracted from the stage's input signal and the residual is amplified (multiplied) to drive the next pipeline stage. The residual multiplier stage is also called a multiplying DAC (MDAC). One bit of redundancy is used in each one of the stages to facilitate digital correction of flash errors. The last stage simply consists of a flash ADC.

The input stage contains a differential SHA that can be configured as ac- or dc-coupled in differential or single-ended modes. The output-staging block aligns the data, carries out the error correction, and passes the data to the output buffers. The output buffers are powered from a separate supply, allowing adjustment of the output voltage swing.

ANALOG INPUT

The analog input to the AD9238 is a differential, switched-capacitor, SHA that has been designed for optimum performance while processing a differential input signal. The SHA input accepts inputs over a wide common-mode range. An input common-mode voltage of midsupply is recommended to maintain optimal performance.

The SHA input is a differential, switched-capacitor circuit. In Figure 32, the clock signal alternatively switches the SHA between sample mode and hold mode. When the SHA is switched into sample mode, the signal source must be capable of charging the sample capacitors and settling within one-half of a clock cycle. A small resistor in series with each input can help reduce the peak transient current required from the output stage of the driving source. Also, a small shunt capacitor can be placed across the inputs to provide dynamic charging currents. This passive network creates a low-pass filter at the ADC input; therefore, the precise values are dependent on the application.

In IF undersampling applications, any shunt capacitors should be removed. In combination with the driving source impedance, they limit the input bandwidth. For best dynamic performance, the source impedances driving VIN+ and VIN- should be matched such that common-mode settling errors are symmetrical. These errors are reduced by the common-mode rejection of the ADC.

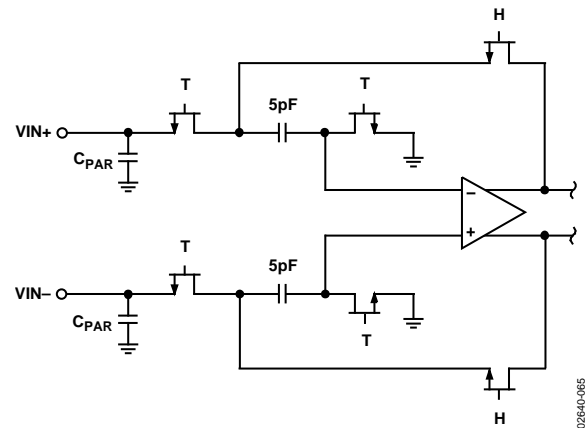


Figure 32. Switched-Capacitor Input

An internal differential reference buffer creates positive and negative reference voltages, REFT and REFB, respectively, that define the span of the ADC core. The output common mode of the reference buffer is set to midsupply, and the REFT and REFB voltages and span are defined as:

$$REFT = \frac{1}{2}(AVDD + VREF)$$

$$REFB = \frac{1}{2}(AVDD - VREF)$$

$$Span = 2 \times (REFT - REFB) = 2 \times VREF$$

The equations above show that the REFT and REFB voltages are symmetrical about the midsupply voltage and, by definition, the input span is twice the value of the VREF voltage.

The internal voltage reference can be pin-strapped to fixed values of 0.5 V or 1.0 V or adjusted within the same range as discussed in the Internal Reference Connection section. Maximum SNR performance is achieved with the AD9238 set to the largest input span of 2 V p-p. The relative SNR degradation is 3 dB when changing from 2 V p-p mode to 1 V p-p mode.

The SHA may be driven from a source that keeps the signal peaks within the allowable range for the selected reference voltage. The minimum and maximum common-mode input levels are defined as:

$$VCM_{MIN} = VREF/2$$

$$VCM_{MAX} = (AVDD + VREF)/2$$

The minimum common-mode input level allows the AD9238 to accommodate ground-referenced inputs. Although optimum performance is achieved with a differential input, a single-ended source may be driven into VIN+ or VIN-. In this configuration, one input accepts the signal, while the opposite input should be set to midscale by connecting it to an appropriate reference. For example, a 2 V p-p signal may be applied to VIN+, while a 1 V reference is applied to VIN-. The AD9238 then accepts an input signal varying between 2 V and 0 V. In the single-ended configuration, distortion performance may degrade significantly as compared to the differential case. However, the effect is less noticeable at lower input frequencies and in the lower speed grade models (AD9238-40 and AD9238-20).

Differential Input Configurations

As previously detailed, optimum performance is achieved while driving the AD9238 in a differential input configuration. For baseband applications, the AD8138 differential driver provides excellent performance and a flexible interface to the ADC. The output common-mode voltage of the AD8138 is easily set to AVDD/2, and the driver can be configured in a Sallen-Key filter topology to provide band limiting of the input signal.

At input frequencies in the second Nyquist zone and above, the performance of most amplifiers is not adequate to achieve the true performance of the AD9238. This is especially true in IF under-sampling applications where frequencies in the 70 MHz to 200 MHz range are being sampled. For these applications, differential transformer coupling is the recommended input configuration, as shown in Figure 33.

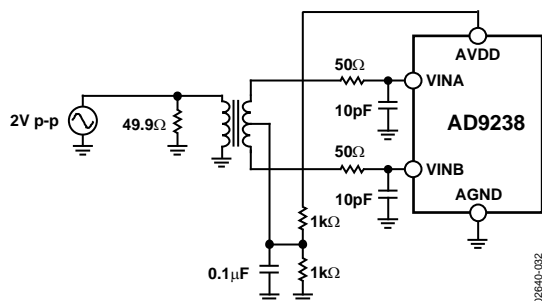


Figure 33. Differential Transformer Coupling

The signal characteristics must be considered when selecting a transformer. Most RF transformers saturate at frequencies below a few MHz, and excessive signal power can also cause core saturation, which leads to distortion.

Single-Ended Input Configuration

A single-ended input may provide adequate performance in cost-sensitive applications. In this configuration, there is a degradation in SFDR and distortion performance due to the large input common-mode swing. However, if the source impedances on each input are matched, there should be little effect on SNR performance.

CLOCK INPUT AND CONSIDERATIONS

Typical high speed ADCs use both clock edges to generate a variety of internal timing signals and, as a result, may be sensitive to the clock duty cycle. Commonly, a 5% tolerance is required on the clock duty cycle to maintain dynamic performance characteristics.

The AD9238 provides separate clock inputs for each channel. The optimum performance is achieved with the clocks operated at the same frequency and phase. Clocking the channels asynchronously may degrade performance significantly. In some applications, it is desirable to skew the clock timing of adjacent channels. The AD9238's separate clock inputs allow for clock timing skew (typically ± 1 ns) between the channels without significant performance degradation.

The AD9238 contains two clock duty cycle stabilizers, one for each converter, that retime the nonsampling edge, providing an internal clock with a nominal 50% duty cycle. When proper track-and-hold times for the converter are required to maintain high performance, maintaining a 50% duty cycle clock is particularly important in high speed applications. It may be difficult to maintain a tightly controlled duty cycle on the input clock on the PCB (see Figure 24). DCS can be enabled by tying the DCS pin high.

The duty cycle stabilizer uses a delay-locked loop to create the nonsampling edge. As a result, any changes to the sampling frequency require approximately 2 μ s to 3 μ s to allow the DLL to acquire and settle to the new rate.

High speed, high resolution ADCs are sensitive to the quality of the clock input. The degradation in SNR at a given full-scale input frequency (f_{INPUT}) due only to aperture jitter (t_j) can be calculated as

$$SNR = 20 \times \log \left[\frac{1}{(2 \times \pi \times f_{INPUT} \times t_j)} \right]$$

In the equation, the rms aperture jitter, t_j , represents the root-sum square of all jitter sources, which includes the clock input, analog input signal, and ADC aperture jitter specification. Undersampling applications are particularly sensitive to jitter.

For optimal performance, especially in cases where aperture jitter may affect the dynamic range of the AD9238, it is important to minimize input clock jitter. The clock input circuitry should use stable references; for example, use analog power and ground planes to generate the valid high and low digital levels for the AD9238 clock input. Power supplies for clock drivers should be separated from the ADC output driver supplies to avoid modulating the clock signal with digital noise. Low jitter, crystal-controlled oscillators make the best clock sources. If the clock is generated from another type of source (by gating, dividing, or other methods), it should be retimed by the original clock at the last step.

POWER DISSIPATION AND STANDBY MODE

The power dissipated by the AD9238 is proportional to its sampling rates. The digital (DRVDD) power dissipation is determined primarily by the strength of the digital drivers and the load on each output bit. The digital drive current can be calculated by

$$I_{DRVDD} = V_{DRVDD} \times C_{LOAD} \times f_{CLOCK} \times N$$

where N is the number of bits changing, and C_{LOAD} is the average load on the digital pins that changed.

The analog circuitry is optimally biased so that each speed grade provides excellent performance while affording reduced power consumption. Each speed grade dissipates a baseline power at low sample rates that increases with clock frequency.

Either channel of the AD9238 can be placed into standby mode independently by asserting the PDWN_A or PDWN_B pins.

It is recommended that the input clock(s) and analog input(s) remain static during either independent or total standby, which results in a typical power consumption of 1 mW for the ADC. Note that if DCS is enabled, it is mandatory to disable the clock of an independently powered-down channel. Otherwise, significant distortion results on the active channel. If the clock inputs remain active while in total standby mode, typical power dissipation of 12 mW results.

The minimum standby power is achieved when both channels are placed into full power-down mode (PDWN_A = PDWN_B = HI). Under this condition, the internal references are powered down. When either or both of the channel paths are enabled after a power-down, the wake-up time is directly related to the recharging of the REFT and REFB decoupling capacitors and to the duration of the power-down. Typically, it takes approximately 5 ms to restore full operation with fully discharged 0.1 μ F and 10 μ F decoupling capacitors on REFT and REFB.

A single channel can be powered down for moderate power savings. The powered-down channel shuts down internal circuits, but both the reference buffers and shared reference remain powered on. Because the buffer and voltage reference remain powered on, the wake-up time is reduced to several clock cycles.

DIGITAL OUTPUTS

The AD9238 output drivers can be configured to interface with 2.5 V or 3.3 V logic families by matching DRVDD to the digital supply of the interfaced logic. The output drivers are sized to provide sufficient output current to drive a wide variety of logic families. However, large drive currents tend to cause current glitches on the supplies that may affect converter performance. Applications requiring the ADC to drive large capacitive loads or large fanouts may require external buffers or latches.

The data format can be selected for either offset binary or twos complement. See the Data Format section for more information.

TIMING

The AD9238 provides latched data outputs with a pipeline delay of seven clock cycles. Data outputs are available one propagation delay (t_{PD}) after the rising edge of the clock signal. Refer to Figure 2 for a detailed timing diagram.

The internal duty cycle stabilizer can be enabled on the AD9238 using the DCS pin. This provides a stable 50% duty cycle to internal circuits.

The length of the output data lines and loads placed on them should be minimized to reduce transients within the AD9238. These transients can detract from the converter's dynamic performance. The lowest typical conversion rate of the AD9238 is 1 MSPS. At clock rates below 1 MSPS, dynamic performance may degrade.

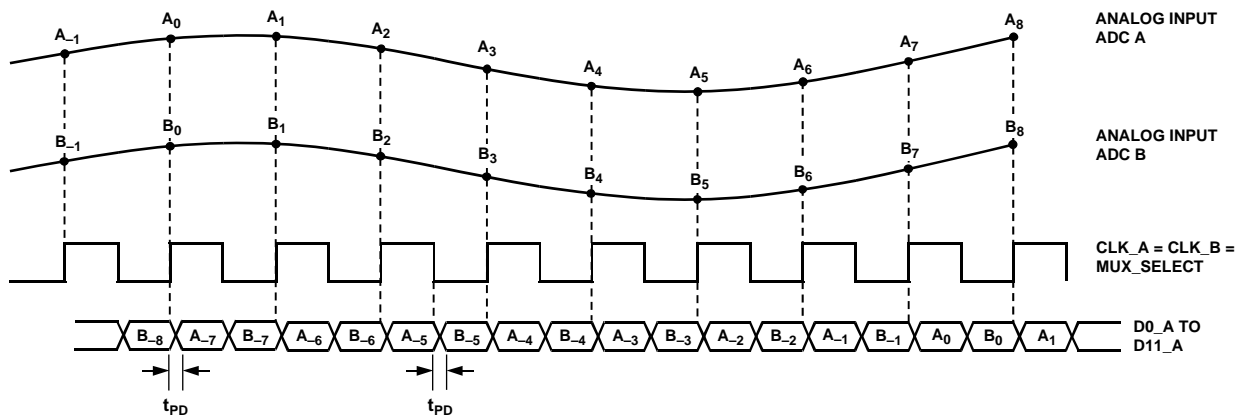


Figure 34. Multiplexed Data Format Using the Channel A Output and the Same Clock Tied to CLK_A, CLK_B, and MUX_SELECT

DATA FORMAT

The AD9238 data output format can be configured for either twos complement or offset binary. This is controlled by the data format select pin (DFS). Connecting DFS to AGND produces offset binary output data. Conversely, connecting DFS to AVDD formats the output data as twos complement.

The output data from the dual ADCs can be multiplexed onto a single 12-bit output bus. The multiplexing is accomplished by toggling the MUX_SELECT bit, which directs channel data to the same or opposite channel data port. When MUX_SELECT is logic high, the Channel A data is directed to the Channel A output bus, and the Channel B data is directed to the Channel B output bus. When MUX_SELECT is logic low, the channel data is reversed, that is the Channel A data is directed to the Channel B output bus, and the Channel B data is directed to the Channel A output bus. By toggling the MUX_SELECT bit, multiplexed data is available on either of the output data ports.

If the ADCs run with synchronized timing, this same clock can be applied to the MUX_SELECT pin. Any skew between CLK_A, CLK_B, and MUX_SELECT can degrade ac performance. It is recommended to keep the clock skew <100 pS. After the MUX_SELECT rising edge, either data port has the data for its respective channel; after the falling edge, the alternate channel's data is placed on the bus. Typically, the other unused bus would be disabled by setting the appropriate OEB high to reduce power consumption and noise. Figure 34 shows an example of multiplex mode. When multiplexing data, the data rate is two times the sample rate. Note that both channels must remain active in this mode and that each channel's power-down pin must remain low.

VOLTAGE REFERENCE

A stable and accurate 0.5 V voltage reference is built into the AD9238. The input range can be adjusted by varying the reference voltage applied to the AD9238, using either the internal reference with different external resistor configurations or an externally applied reference voltage. The input span of the ADC tracks reference voltage changes linearly. If the ADC is being driven differentially through a transformer, the reference voltage can be used to bias the center tap (common-mode voltage).

The shared reference mode allows the user to connect the references from the dual ADCs together externally for superior gain and offset matching performance. If the ADCs are to function independently, the reference decoupling can be treated

Table 7. Reference Configuration Summary

| Selected Mode | SENSE Voltage | Resulting VREF (V) | Resulting Differential Span (V p-p) |
|--------------------------|---------------|--------------------------|-------------------------------------|
| External Reference | AVDD | N/A | 2 × External Reference |
| Internal Fixed Reference | VREF | 0.5 | 1.0 |
| Programmable Reference | 0.2 V to VREF | $0.5 \times (1 + R2/R1)$ | 2 × VREF (See Figure 36) |
| Internal Fixed Reference | AGND to 0.2 V | 1.0 | 2.0 |

independently and can provide superior isolation between the dual channels. To enable shared reference mode, the SHARED_REF pin must be tied high and the external differential references must be externally shorted. (REFT_A must be externally shorted to REFT_B, and REFB_A must be shorted to REFB_B.)

Internal Reference Connection

A comparator within the AD9238 detects the potential at the SENSE pin and configures the reference into four possible states, which are summarized in Table 7. If SENSE is grounded, the reference amplifier switch is connected to the internal resistor divider (see Figure 35), setting VREF to 1 V. Connecting the SENSE pin to VREF switches the reference amplifier output to the SENSE pin, completing the loop and providing a 0.5 V reference output. If a resistor divider is connected, as shown in Figure 36, the switch is again set to the SENSE pin. This puts the reference amplifier in a noninverting mode with the VREF output defined as

$$VREF = 0.5 \times (1 + R2/R1)$$

In all reference configurations, REFT and REFB drive the ADC core and establish its input span. The input range of the ADC always equals twice the voltage at the reference pin for either an internal or an external reference.

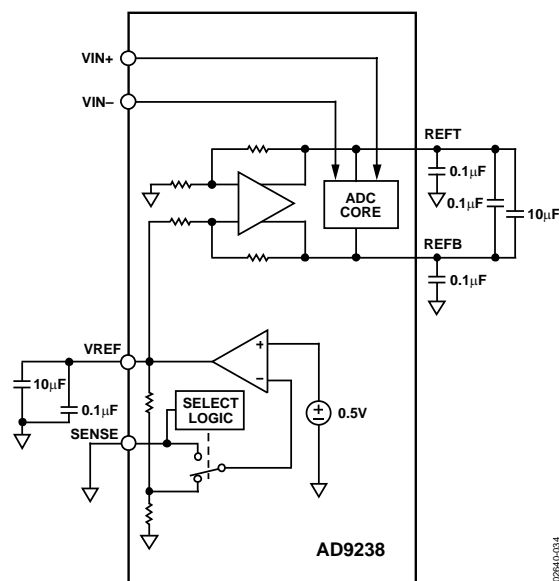


Figure 35. Internal Reference Configuration

External Reference Operation

The use of an external reference may be necessary to enhance the gain accuracy of the ADC or to improve thermal drift characteristics. When multiple ADCs track one another, a single reference (internal or external) may be necessary to reduce gain matching errors to an acceptable level. A high precision external reference may also be selected to provide lower gain and offset temperature drift. Figure 37 shows the typical drift characteristics of the internal reference in both 1 V and 0.5 V modes. When the SENSE pin is tied to AVDD, the internal reference is disabled, allowing the use of an external reference. An internal reference buffer loads the external reference with an equivalent 7 kΩ load. The internal buffer still generates the positive and negative full-scale references, REFT and REFB, for the ADC core. The input span is always twice the value of the reference voltage; therefore, the external reference must be limited to a maximum of 1 V. If the internal reference of the AD9238 is used to drive multiple converters to improve gain matching, the loading of the reference by the other converters must be considered. Figure 38 depicts how the internal reference voltage is affected by loading.

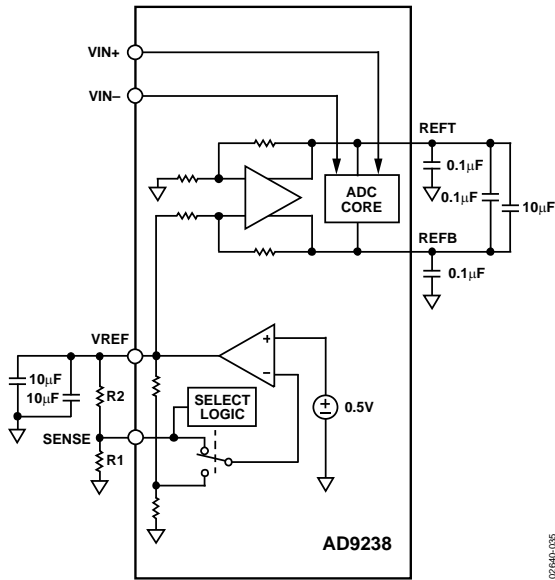


Figure 36. Programmable Reference Configuration

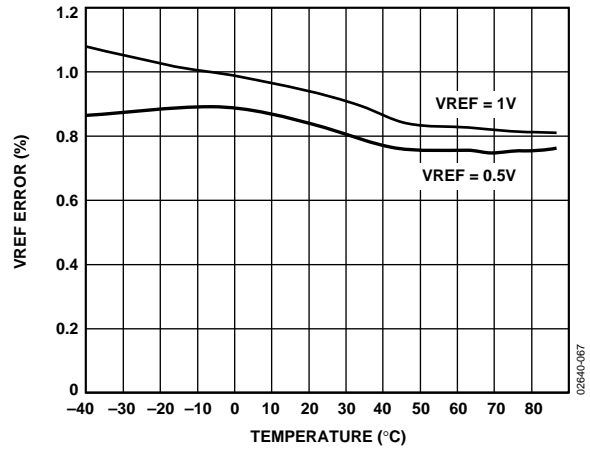


Figure 37. Typical VREF Drift

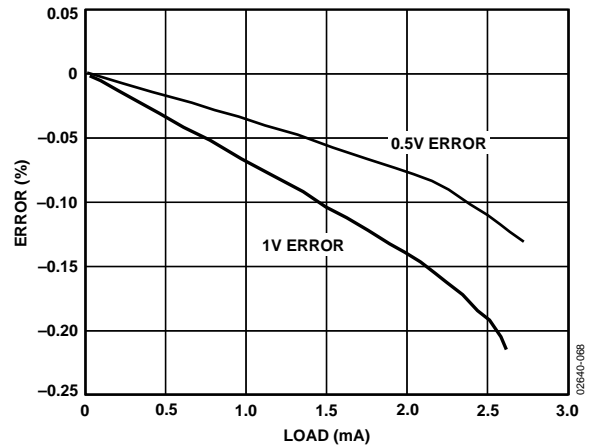


Figure 38. VREF Accuracy vs. Load

AD9238 LQFP EVALUATION BOARD

The evaluation board supports both the AD9238 and AD9248 and has five main sections: clock circuitry, inputs, reference circuitry, digital control logic, and outputs. A description of each section follows. Table 8 shows the jumper settings and notes assumptions in the comment column.

Four supply connections to TB1 are necessary for the evaluation board: the analog supply of the DUT, the on-board analog circuitry supply, the digital driver DUT supply, and the on-board digital circuitry supply. Separate analog and digital supplies are recommended, and on each supply 3 V is nominal. Each supply is decoupled on-board, and each IC, including the DUT, is decoupled locally. All grounds should be tied together.

CLOCK CIRCUITRY

The clock circuitry is designed for a low jitter sine wave source to be ac-coupled and level shifted before driving the 74VHC04 hex inverter chips (U8 and U9) whose output provides the clock to the part. The POT (R32 and R31) on the level shifting circuitry allows the user to vary the duty cycle if desired. The amplitude of the sine wave must be large enough for the trip points of the hex inverter and within the supplies to avoid noise from clipping. To ensure a 50% duty cycle internal to the part, the AD9238-65 has an on-chip duty cycle stabilizer circuit that is enabled by putting in Jumper JP11. The duty cycle stabilizer circuitry should only be used at clock rates above 40 MSPS.

Each channel has its own clock circuitry, but normally both clock pins are driven by a single 74VHC04, and the solder Jumper JP24 is used to tie the clock pins together. When the clock pins are tied together and only one 74VHC04 is being used, the series termination resistor for the other channel must be removed (either R54 or R55, depending on which inverter is being used).

A data capture clock for each channel is created and sent to the output buffers in order to be used in the data capture system if needed. Jumpers JP25 and JP26 are used to invert the data clock if necessary and can be used to debug data capture timing problems.

ANALOG INPUTS

The AD9238 achieves the best performance with a differential input. The evaluation board has two input options for each channel, a transformer (XFMR) and an AD8138, both of which perform single-ended-to-differential conversions. The XFMR allows for the best high frequency performance, and the AD8138 is ideal for dc evaluation, low frequency inputs, and driving an ADC differentially without loading the single-ended signal.

The common-mode level for both input options is set to midsupply by a resistor divider off the AVDD supply but can also be overdriven with an external supply using the (test points) TP12, TP13 for the AD8138s and TP14, TP15 for the XFMRs. For low distortion of full-scale input signals when using an AD8138, put JP17 and JP22 in Position B and put an external negative supply on TP10 and TP11.

For best performance, use low jitter input sources and a high performance band-pass filter after the signal source, before the evaluation board (see Figure 39). For XFMR inputs, use solder Jumpers JP13, JP14 for Channel A and JP20, JP21 for Channel B. For AD8138 inputs, use solder Jumpers JP15, JP16 for Channel A and JP18, JP19 for Channel B. Remove all solder from the jumpers not being used.

REFERENCE CIRCUITRY

The evaluation board circuitry allows the user to select a reference mode through a series of jumpers and provides an external reference if necessary. Refer to Table 9 to find the jumper settings for each reference mode. The external reference on the board is a simple resistor divider/zenner diode circuit buffered by an AD822 (U4). The POT (R4) can be used to change the level of the external reference to fine adjust the ADC full scale.

DIGITAL CONTROL LOGIC

The digital control logic on the evaluation board is a series of jumpers and pull-down resistors used as digital inputs for the following pins on the AD9238: the power-down and output enable bar for each channel, the duty cycle restore circuitry, the twos complement output mode, the shared reference mode, and the MUX_SELECT pin. Refer to Table 8 for normal operating jumper positions.

OUTPUTS

The outputs of the AD9238 (and the data clock discussed earlier) are buffered by 74VHC541s (U2, U3, U7, U10) to ensure the correct load on the outputs of the DUT, as well as the extra drive capability to the next part of the system. The 74VHC541s are latches, but on this evaluation board, they are wired and function as buffers. JP30 can be used to tie the data clocks together if desired. If the data clocks are tied, R39 or R40 must be removed, depending on which clock circuitry is being used.

AD9238

Table 8. PCB Jumpers

| JP | Description | Normal Setting | Comment |
|----|------------------|----------------|----------------------------|
| 1 | Reference | Out | 1 V Reference Mode |
| 2 | Reference | In | 1 V Reference Mode |
| 3 | Reference | Out | 1 V Reference Mode |
| 4 | Reference | Out | 1 V Reference Mode |
| 5 | Reference | Out | 1 V Reference Mode |
| 6 | Shared Reference | Out | |
| 7 | Shared Reference | Out | |
| 8 | PDWN B | Out | |
| 9 | PDWN A | Out | |
| 10 | Shared Reference | Out | |
| 11 | Duty Cycle | In | Duty Cycle Restore On |
| 12 | Twos Complement | Out | |
| 13 | Input | In | Using XFMR Input |
| 14 | Input | In | Using XFMR Input |
| 15 | Input | Out | Using XFMR Input |
| 16 | Input | Out | Using XFMR Input |
| 17 | AD8138 Supply | A | Using XFMR Input |
| 18 | Input | Out | Using XFMR Input |
| 19 | Input | Out | |
| 20 | Input | In | |
| 21 | Input | In | |
| 22 | AD8138 Supply | A | |
| 23 | Mux Select | Out | |
| 24 | Tie Clocks | In | Using One Signal for Clock |
| 25 | Data Clock | A | |
| 26 | Data Clock | Out | Using One Signal for Clock |
| 27 | Mux Select | In | |
| 28 | OEB_A | Out | |
| 29 | Mux Select | Out | |
| 30 | Data Clock | Out | |
| 35 | OEB_B | Out | |

Table 9. Reference Jumpers

| Reference Mode | JP1 | JP2 | JP3 | JP4 | JP5 |
|----------------|-----|-----|-----|-----|-----|
| 1 V Internal | Out | In | Out | Out | Out |
| 0.5 V Internal | Out | Out | In | Out | Out |
| External | In | Out | Out | Out | In |

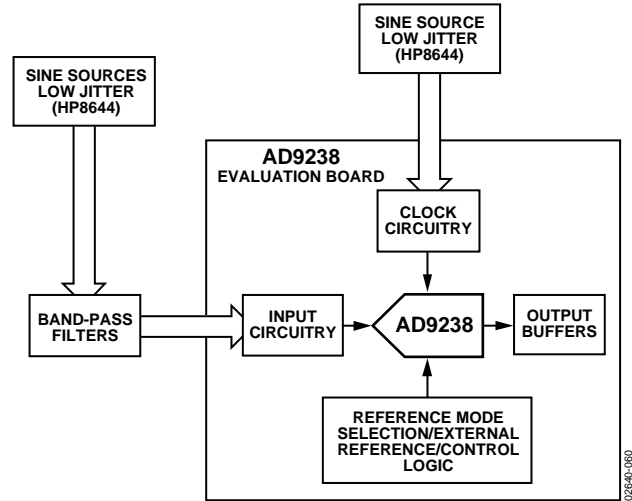


Figure 39. PCB Test Setup

LQFP EVALUATION BOARD BILL OF MATERIALS (BOM)

Table 10.

| No. | Quantity | Reference Designator | Device | Package | Value |
|-----|----------|--|---------------|-----------|-----------------|
| 1 | 18 | C1, C2, C11, C12, C27, C28, C33, C34, C50, C51, C73 to C76, C87 to C90 | Capacitors | ACASE | 10 μ F |
| 2 | 23 | C3 to C10, C29 to C31, C56, C61 to C65, C77, C79, C80, C84 to C86 | Capacitors | 0805 | 0.1 μ F |
| 3 | 7 | C13, C15, C18, C19, C21, C23, C25 | Capacitors | 0603 | 0.001 μ F |
| 4 | 15 | C6, C14, C16, C17, C20, C22, C24, C26, C32, C35 to C40 | Capacitors | 0603 | 0.1 μ F |
| 5 | 4 | C41 to C44 | Capacitors | DCASE | 22 μ F |
| 6 | 4 | C45 to C48 | Capacitors | 1206 | 0.1 μ F |
| 7 | 2 | C49, C53 | Capacitors | ACASE | 6.3 V |
| 8 | 2 | C52, C57 | Capacitors | 0201 | 0.01 μ F |
| 9 | 4 | C54, C55, C68, C69 | Capacitors | 0805 | |
| 10 | 4 | C58, C59, C70, C71 | Capacitors | 0603 | DNP |
| 11 | 2 | C60, C72 | Capacitors | 0603 | 20 pF |
| 12 | 1 | D1 | AD1580 | SOT-23CAN | 1.2 V |
| 13 | 1 | J1 | | | SAM080UPM |
| 14 | 14 | JP1 to JP5, JP8 to JP12, JP23, JP28, JP29, JP35 | | JPRBLK02 | |
| 15 | 13 | JP6, JP7, JP13, JP14 to JP16, JP18 to JP21, JP24, JP27, JP30 | | JPRSLD02 | |
| 16 | 4 | JP17, JP22, JP25, JP26 | | JPRBLK03 | |
| 17 | 4 | L1 to L4 | IND1210 | LC1210 | 10 μ H |
| 18 | 6 | R1, R2, R13, R14, R23, R27 | Resistors | 1206 | 33 Ω |
| 19 | 1 | R3 | Resistor | 1206 | 5.49 k Ω |
| 20 | 1 | R4 | Resistor | RV3299UP | 10 k Ω |
| 21 | 7 | R5, R6, R38, R41, R43, R44, R51 | Resistors | 0805 | 5 k Ω |
| 22 | 6 | R7, R8, R19, R20, R52, R53 | Resistors | 1206 | 49.9 Ω |
| 23 | 8 | R9, R18, R29, R30, R47 to R50 | Resistors | 0805 | 1 k Ω |
| 24 | 6 | R10, R12, R15, R24, R25, R28 | Resistors | 1206 | 499 Ω |
| 25 | 2 | R11, R26 | Resistors | 1206 | 523 Ω |
| 26 | 4 | R16, R17, R21, R22 | Resistors | 1206 | 40 Ω |
| 27 | 2 | R31, R32 | Resistors | RV3299W | 10 k Ω |
| 28 | 4 | R33 to R35, R42 | Resistors | 0805 | 500 Ω |
| 29 | 2 | R36, R37 | Resistors | 1206 | 10 k Ω |
| 30 | 2 | R39, R40 | Resistors | 0805 | 22 Ω |
| 31 | 2 | R54, R55 | Resistors | 1206 | 0 Ω |
| 32 | 16 | RP1 to RP16 | Resistor Pack | RCA74204 | 22 Ω |
| 33 | 6 | S1 to S6 | | SMA200UP | |
| 34 | 2 | T1, T2 | | DIP06RCUP | T1-1T |
| 35 | 1 | TB1 | | | TBLK06REM |
| 36 | 4 | TP1, TP3, TP5, TP7 | | LOOPTP | RED |
| 37 | 4 | TP2, TP4, TP6, TP8 | | LOOPTP | BLK |
| 38 | 7 | TP9, TP12 to TP17 | | LOOPMINI | WHT |
| 39 | 2 | TP10, TP11 | | LOOPMINI | RED |
| 40 | 1 | U1 | | 64LQFP7X7 | AD9238 |
| 41 | 4 | U2, U3, U7, U10 | | SOL20 | 74VHC541 |
| 42 | 1 | U4 | | SOIC-8 | AD822 |
| 43 | 2 | U5, U6 | | SO8NC7 | AD8138 |
| 44 | 2 | U8, U9 | | TSSOP-14 | 74VHC04 |

LQFP EVALUATION BOARD SCHEMATICS

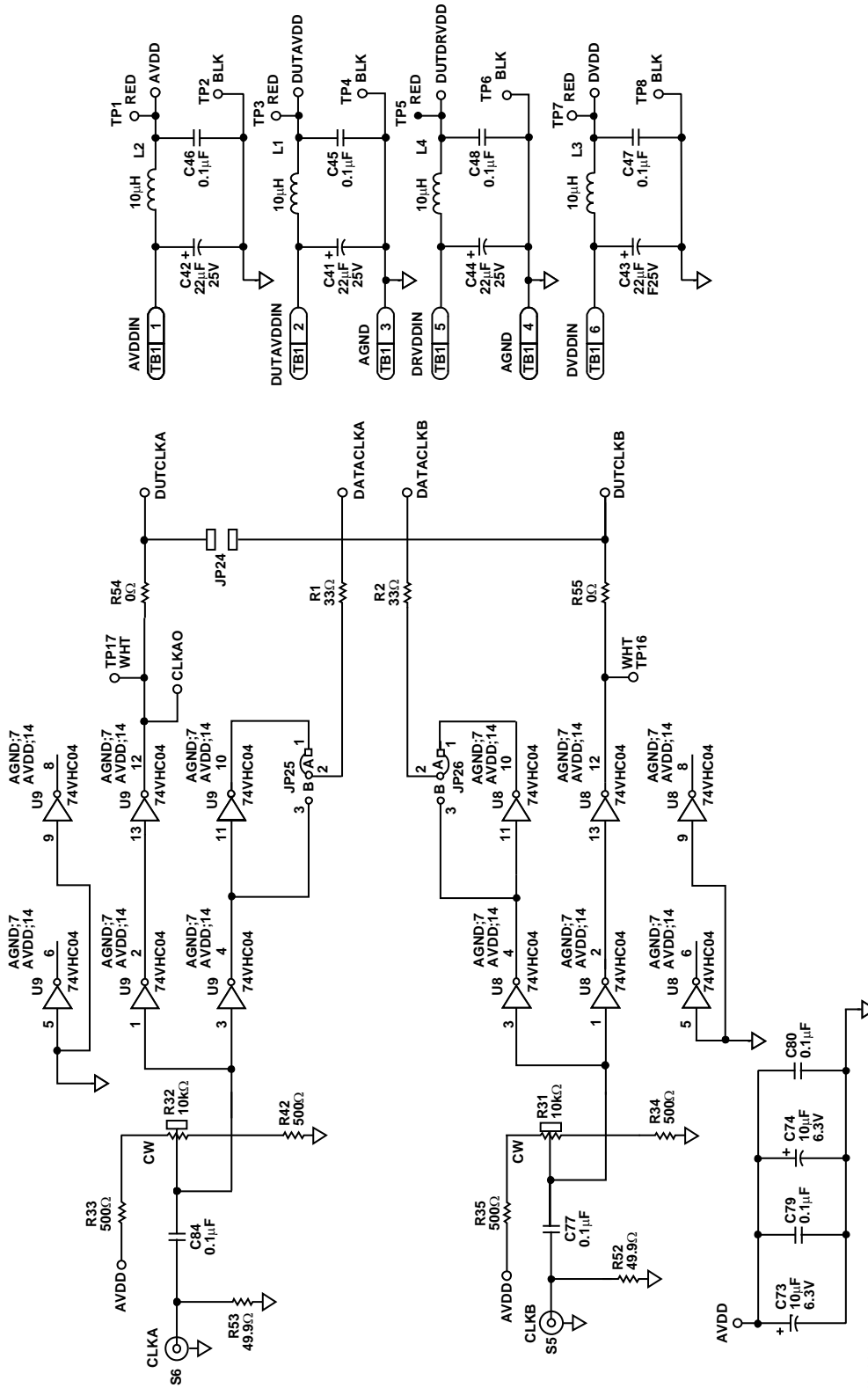


Figure 40. Evaluation Board Schematic

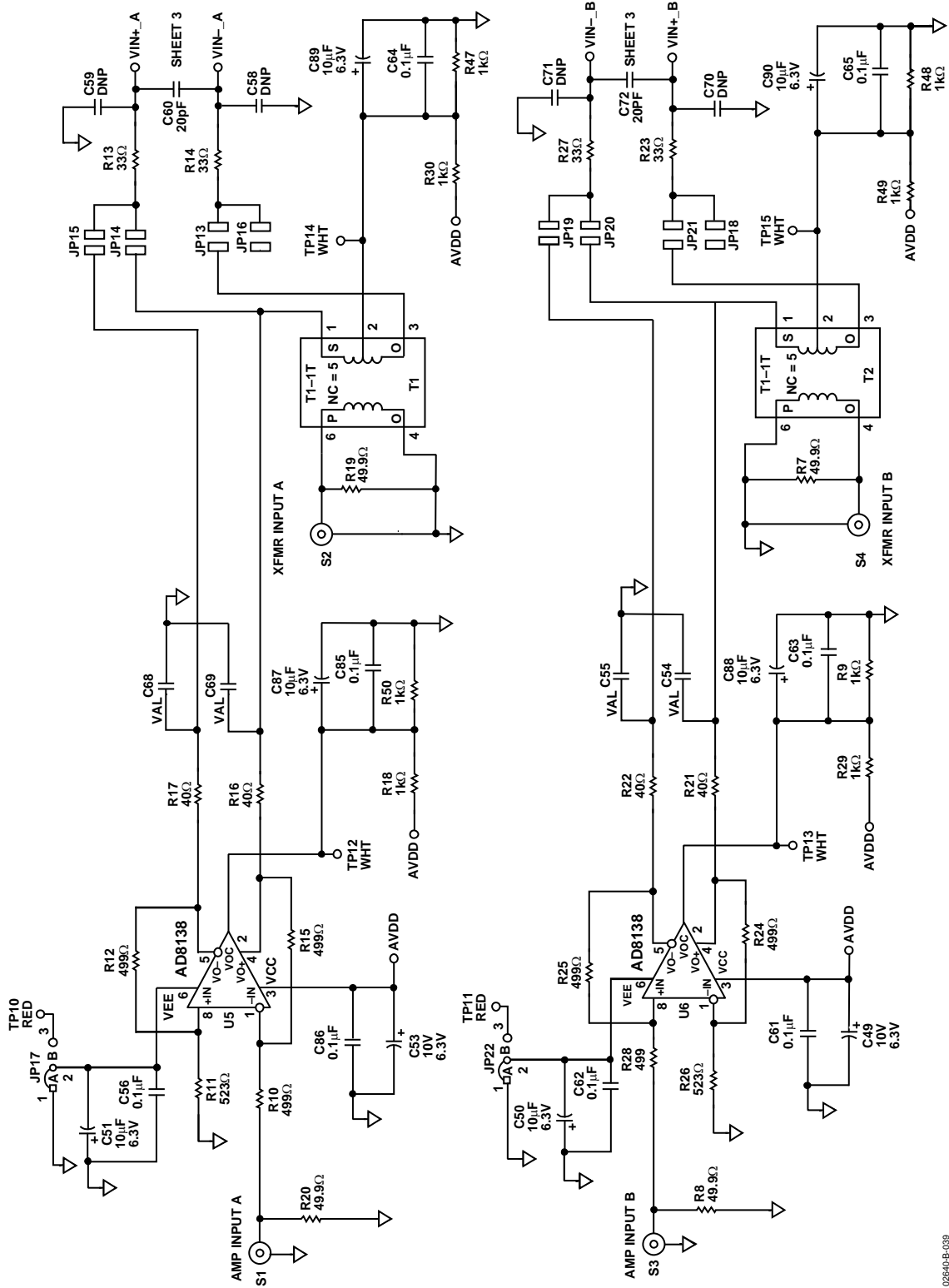


Figure 41. Evaluation Board Schematic (Continued)

02640-B-039

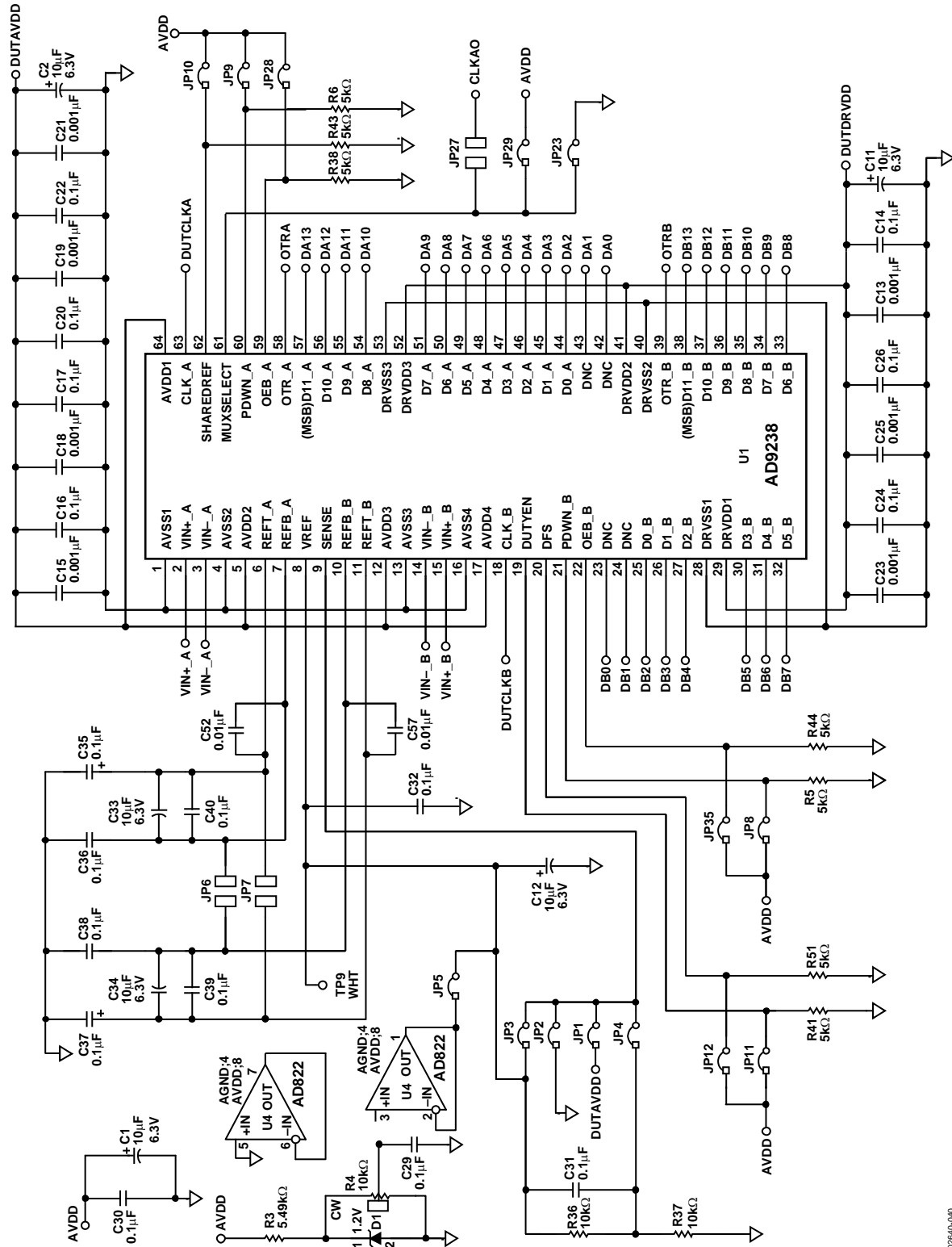


Figure 42. Evaluation Board Schematic (Continued)

02840-040

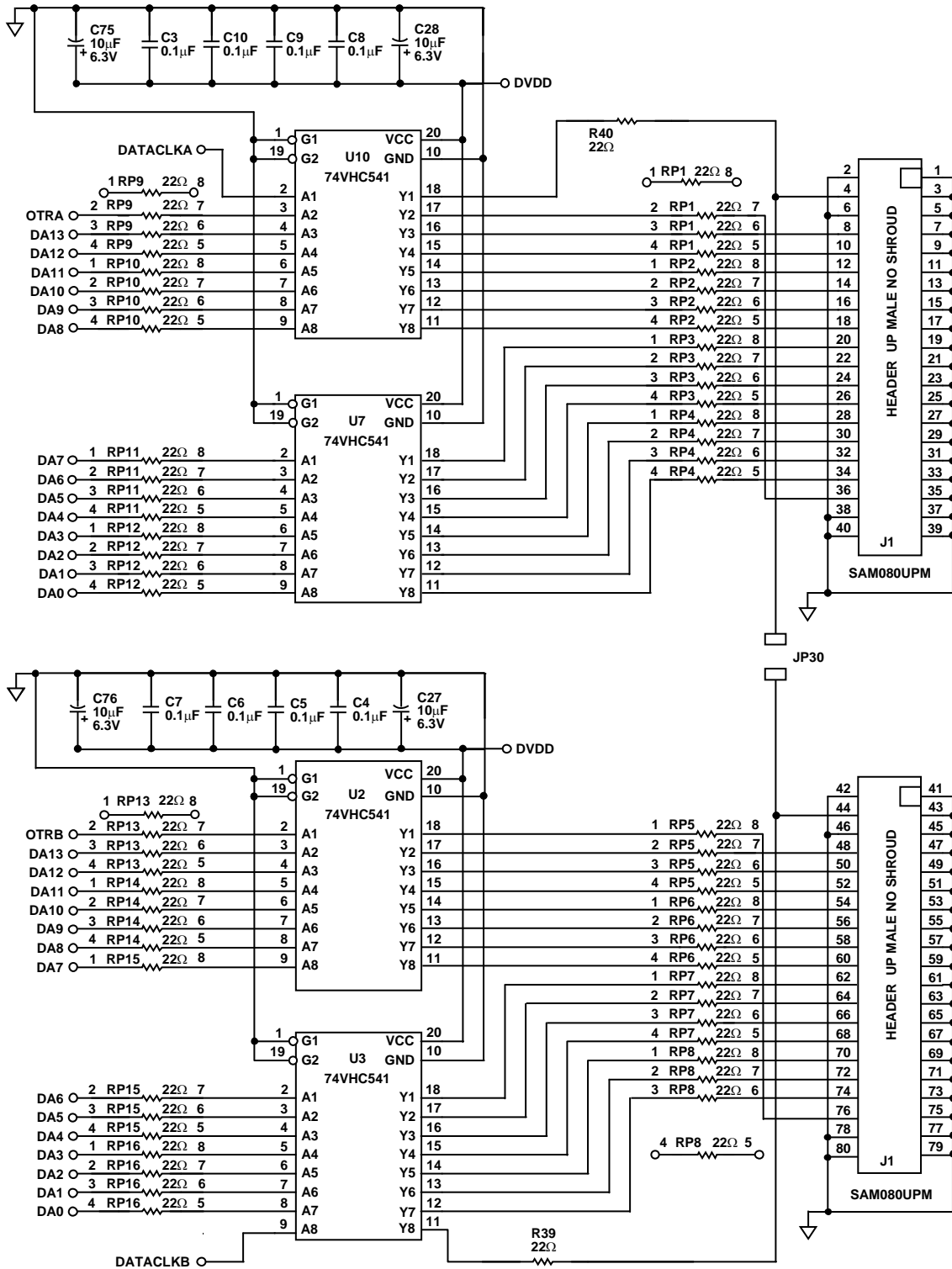


Figure 43. Evaluation Board Schematic (Continued)

AD9238

LQFP PCB LAYERS

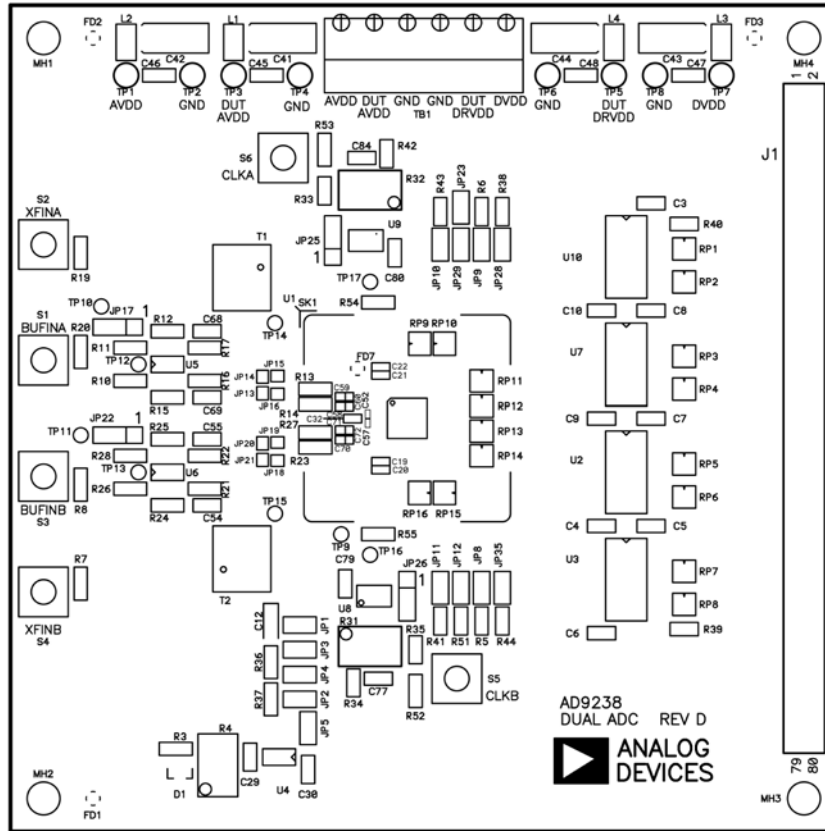
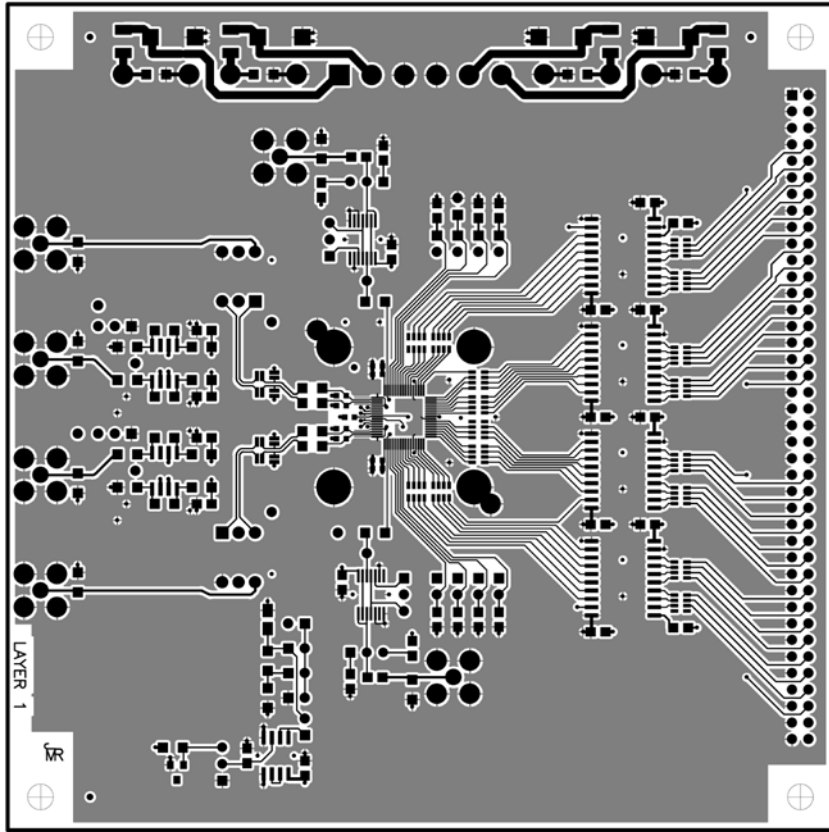


Figure 44. PCB Top Side Silkscreen



02840-042

Figure 45. PCB Top Layer

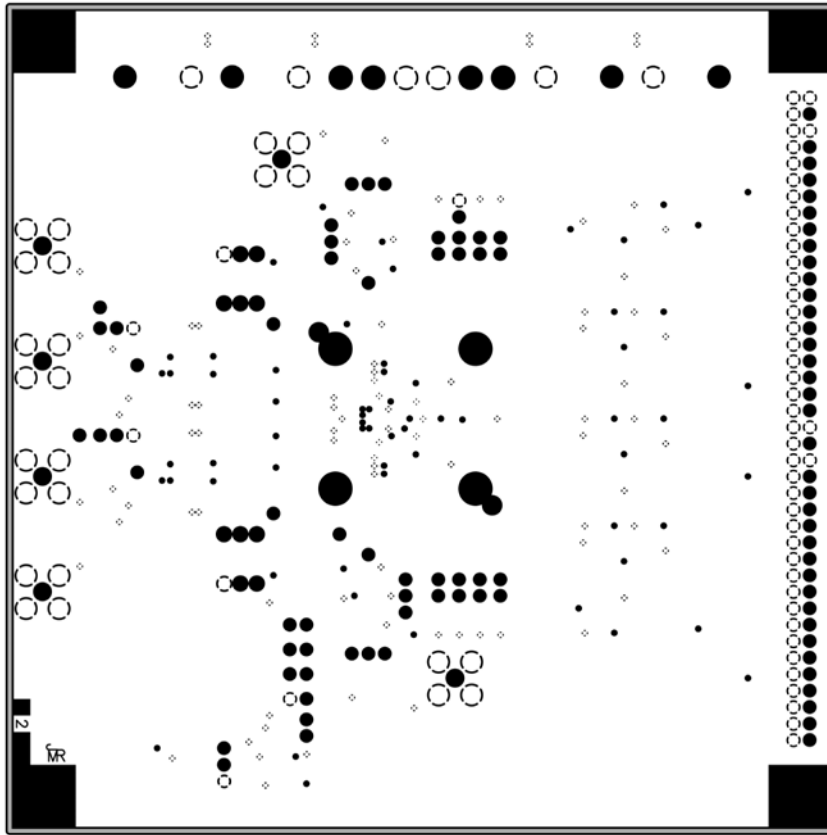
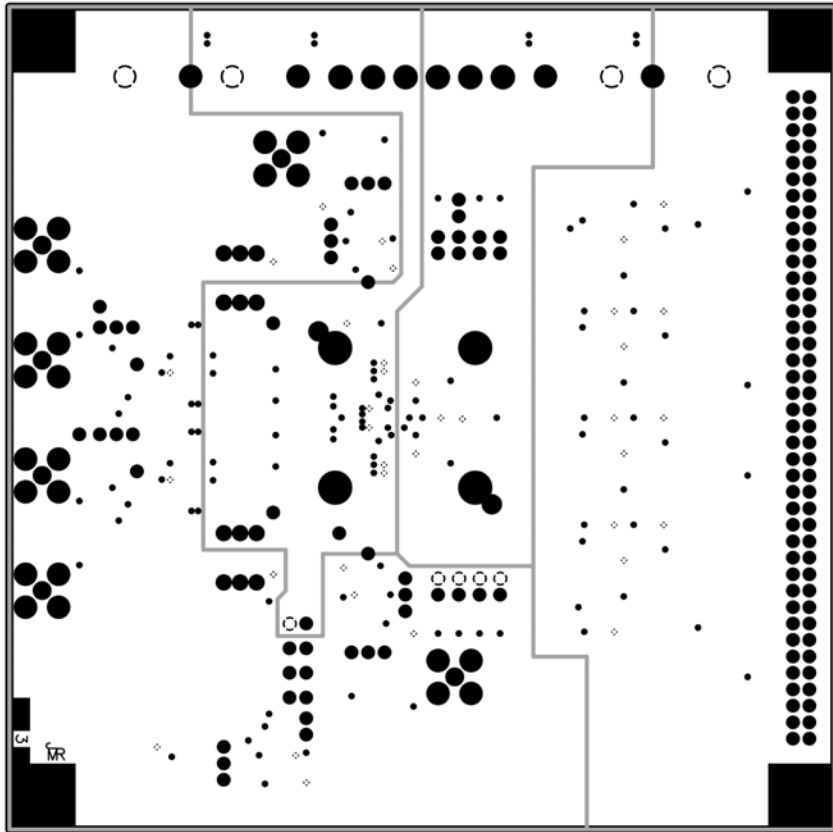


Figure 46. PCB Ground Plane



02840-045

Figure 47. PCB Split Power Plane

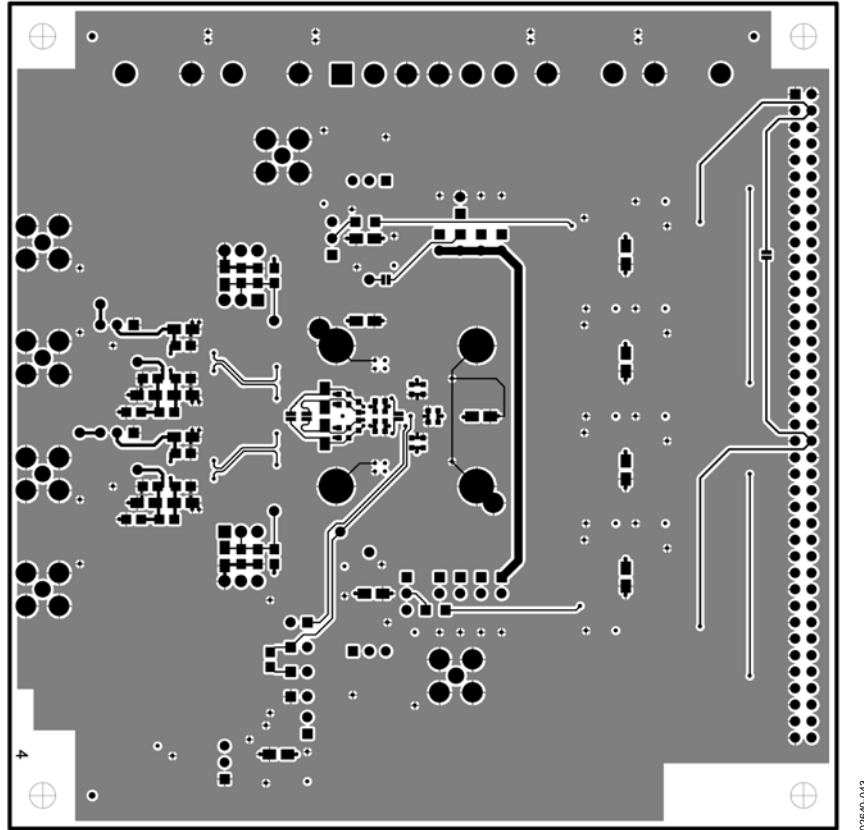
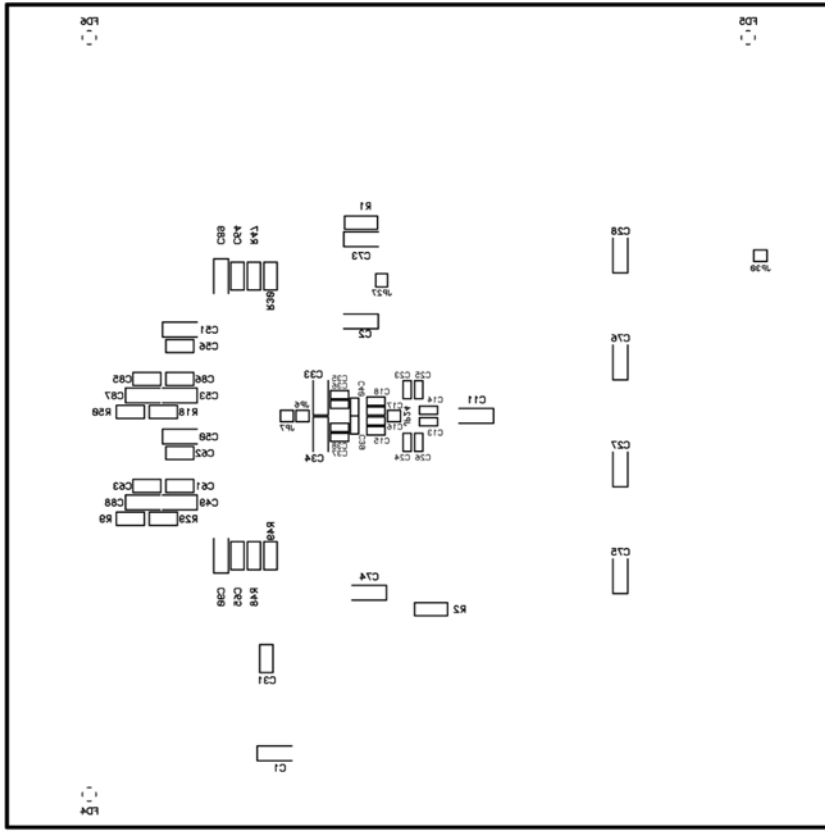


Figure 48. PCB Bottom Layer



02640-047

Figure 49. PCB Bottom Silkscreen

DUAL ADC LFCSP PCB

The LFCSP PCB requires a low jitter clock source, analog sources, and power supplies. The PCB interfaces directly with Analog Devices standard dual-channel data capture board (HSC-ADC-EVAL-DC), which together with ADI's ADC Analyzer™ software allows for quick ADC evaluation.

POWER CONNECTOR

Power is supplied to the board via three detachable 4-lead power strips.

Table 11. Power Connector

| Terminal | Comments |
|------------------------|------------------------|
| VCC ¹ 3.0 V | Analog supply for ADC |
| VDD ¹ 3.0 V | Output supply for ADC |
| VDL ¹ 3.0 V | Supply circuitry |
| VREF | Optional external VREF |
| +5 V | Optional op amp supply |
| -5 V | Optional op amp supply |

¹VCC, VDD, and VDL are the minimum required power connections.

ANALOG INPUTS

The evaluation board accepts a 2 V p-p analog input signal centered at ground at two SMB connectors, Input A and Input B. These signals are terminated at their respective transformer primary side. T1 and T2 are wideband RF transformers that provide the single-ended-to-differential conversion, allowing the ADC to be driven differentially, minimizing even-order harmonics. The analog signals can be low-pass filtered at the transformer secondary to reduce high frequency aliasing.

OPTIONAL OPERATIONAL AMPLIFIER

The PCB has been designed to accommodate an optional AD8139 op amp that can serve as a convenient solution for dc-coupled applications. To use the AD8139 op amp, remove C14, R4, R5, C13, R37, and R36. Place R22, R23, R30, and R24.

CLOCK

The clock inputs are buffered on the board at U5 and U6. These gates provide buffered clocks to the on-board latches, U2 and U4, ADC input clocks, and DRA and DRB that are available at the output Connector P3, P8. The clocks can be inverted at the timing jumpers labeled with the respective clocks. The clock paths also provide for various termination options. The ADC input clocks can be set to bypass the buffers at P2 to P9 and P10, P12. An optional clock buffer U3, U7 can also be placed. The clock inputs can be bridged at TIEA, TIEB (R20, R40) to allow one to clock both channels from one clock source; however, optimal performance is obtained by driving J2 and J3.

Table 12. Jumpers

| Terminal | Comments |
|------------|--------------------------|
| OEB A | Output Enable for A Side |
| PDWN A | Power-Down A |
| MUX | Mux Input |
| SHARED REF | Shared Reference Input |
| DR A | Invert DR A |
| LATA | Invert A Latch Clock |
| ENC A | Invert Encode A |
| OEB B | Output Enable for B Side |
| PDWN B | Power-Down B |
| DFS | Data Format Select |
| SHARED REF | Shared Reference Input |
| DR B | Invert DR B |
| LATB | Invert B Latch Clock |
| ENC B | Invert Encode B |

VOLTAGE REFERENCE

The ADC SENSE pin is brought out to E41, and the internal reference mode is selected by placing a jumper from E41 to ground (E27). External reference mode is selected by placing a jumper from E41 to E25 and E30 to E2. R56 and R45 allow for programmable reference mode selection.

DATA OUTPUTS

The ADC outputs are latched on the PCB at U2 and U4. The ADC outputs have the recommended series resistors in line to limit switching transient effects on ADC performance.

LFCSP EVALUATION BOARD BILL OF MATERIALS (BOM)

Table 13.

| No. | Quantity | Reference Designator | Device | Package | Value |
|-----|----------|---|-----------------------|---------------|----------------|
| 1 | 2 | C1, C3 | Capacitors | 0201 | 20 pF |
| 2 | 7 | C2, C5, C7, C9, C10, C22, C36 | Capacitors | 0805 | 10 μ F |
| 3 | 44 | C4, C6, C8, C11 to C15, C20, C21, C24 to C27, C29 to C35, C39 to C61 | Capacitors | 0402 | 0.1 μ F |
| 4 | 6 | C16 to C19, C37, C38 | Capacitors | TAJD | 10 μ F |
| 5 | 2 | C23, C28 | Capacitors | 0201 | 0.1 μ F |
| 6 | 6 | J1 to J6 | SMBs | | |
| 7 | 3 | P1, P4, P11 | Power Connector Posts | Z5.531.3425.0 | Wieland |
| 8 | 3 | P1, P4, P11 | Detachable Connectors | 25.602.5453.0 | Wieland |
| 9 | 2 | P3 ¹ , P8 | Connectors | | |
| 10 | 4 | R1, R2, R32, R34 | Resistors | 0402 | 36 Ω |
| 11 | 6 | R3, R7, R11, R14, R51, R61 | Resistors | 0402 | 50 Ω |
| 12 | 4 | R4, R5, R36, R37 | Resistors | 0402 | 33 Ω |
| 13 | 9 | R9, R10, R12, R13, R20, R35, R38, R40, R43 | Resistors | 0402 | 0 Ω |
| 14 | 6 | R15, R16, R18, R26, R29, R31 | Resistors | 0402 | 499 Ω |
| 15 | 2 | R17, R25 | Resistors | 0402 | 525 Ω |
| 16 | 27 | R19, R21, R27, R28, R39, R41, R44, R46 to R49, R52, R54, R55, R57 to R60, R62 to R70 | Resistors | 0402 | 1 k Ω |
| 17 | 4 | R22 to R24, R30 | Resistors | 0402 | 40 Ω |
| 18 | 2 | R45, R56 | Resistors | 0402 | 10 k Ω |
| 19 | 1 | R50 | Resistor | 0402 | 22 Ω |
| 20 | 8 | RZ1 to RZ6, RZ9, RZ10 | Resistor Pack | | 220 Ω |
| 21 | 2 | T1, T2 | Transformers | AWT-1WT | Mini-Circuits® |
| 22 | 1 | U1 | AD9238 | LFCSP-64 | |
| 23 | 2 | U2, U4 | SN74LVCH16373A | TSSOP-48 | |
| 24 | 2 | U3 ² , U7 | SN74LVC1G04 | SOT-70 | |
| 25 | 2 | U5, U6 | SN74VCX86 | SO-14 | |
| 26 | 2 | U11, U12 | AD8139 | SO-8/EP | |
| 27 | 4 | R6, R8, R33, R42 | Resistors | 0402 | 100 Ω |

¹ P3 and P8 implemented as one 80-pin connector SAMTEC TSW-140-08-L-D-RA.² U3 and U7 not placed.

LFCSF PCB SCHEMATICS

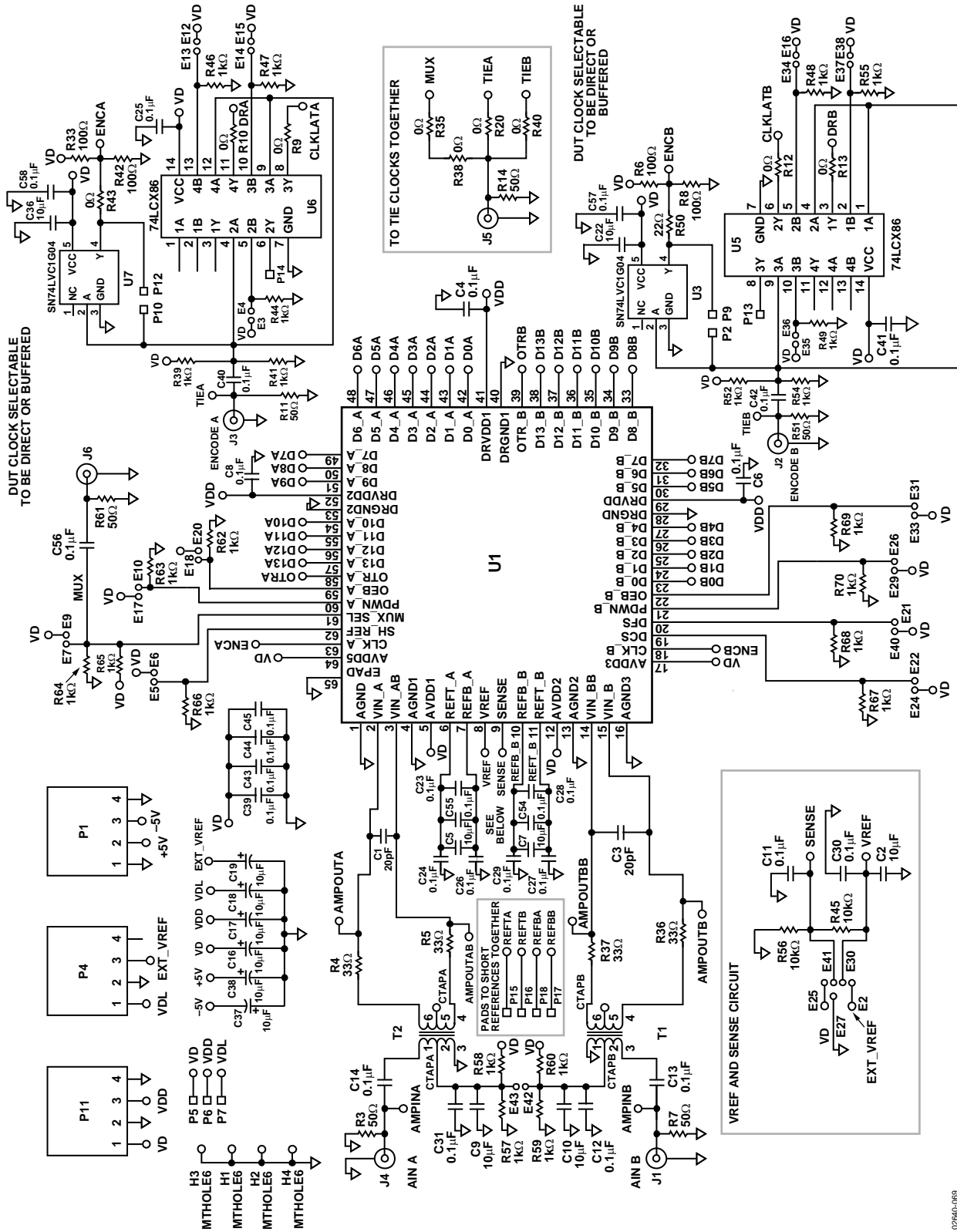


Figure 50. PCB Schematic (1 of 3)

02640-089

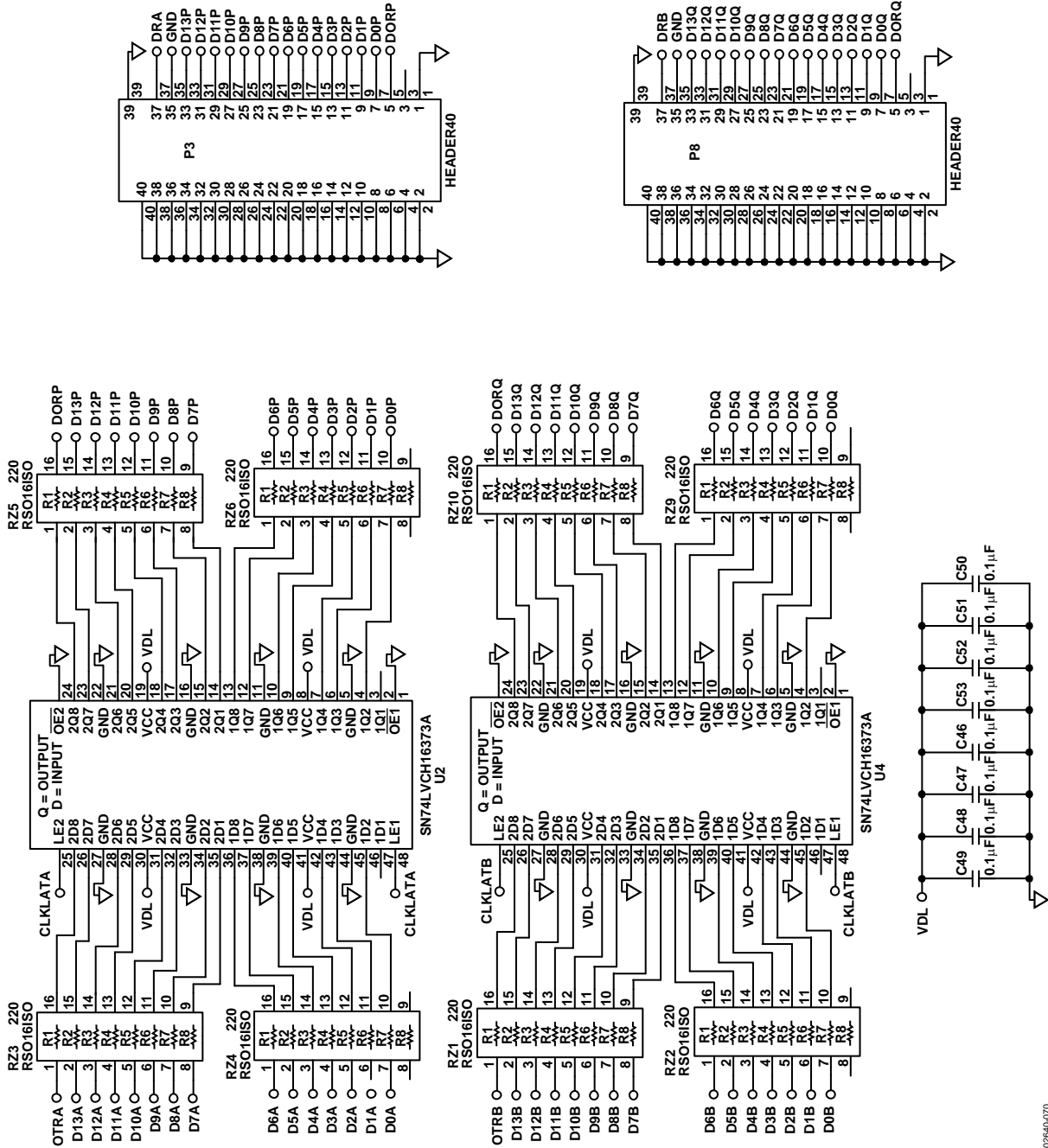


Figure 51. PCB Schematic (2 of 3)

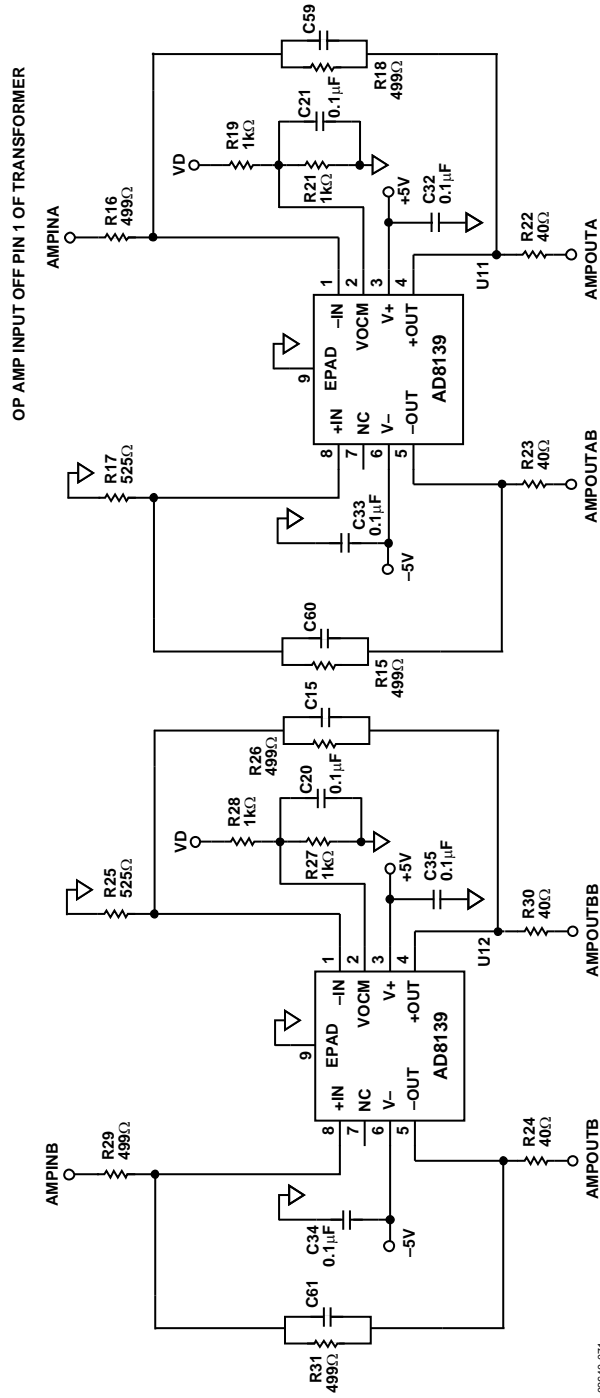


Figure 52. PCB Schematic (3 of 3)

02E40-071

LFCSP PCB LAYERS

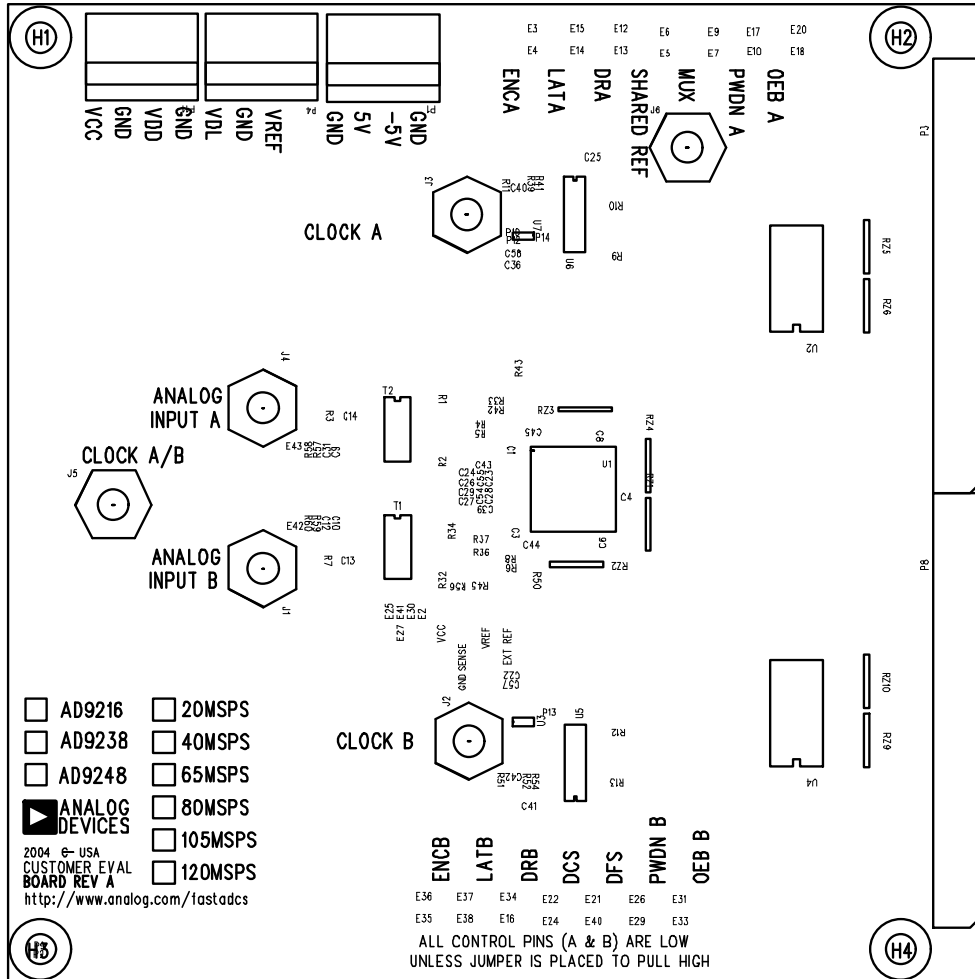
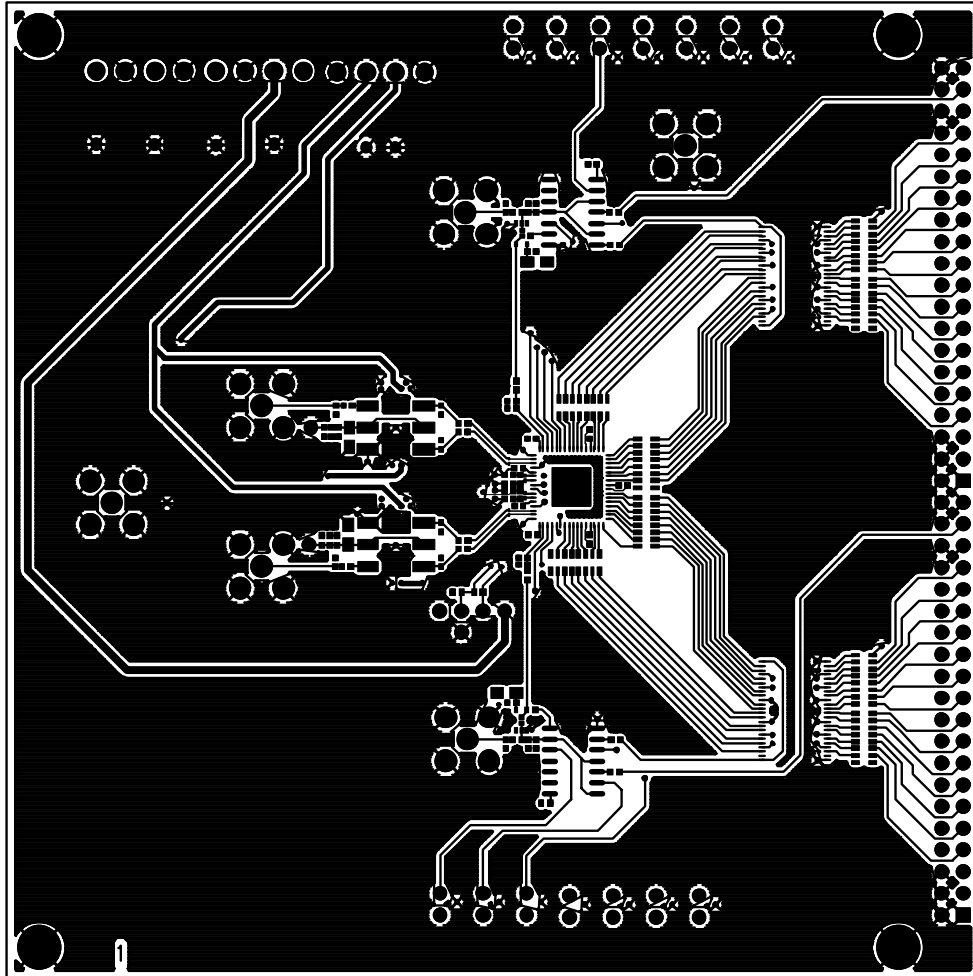
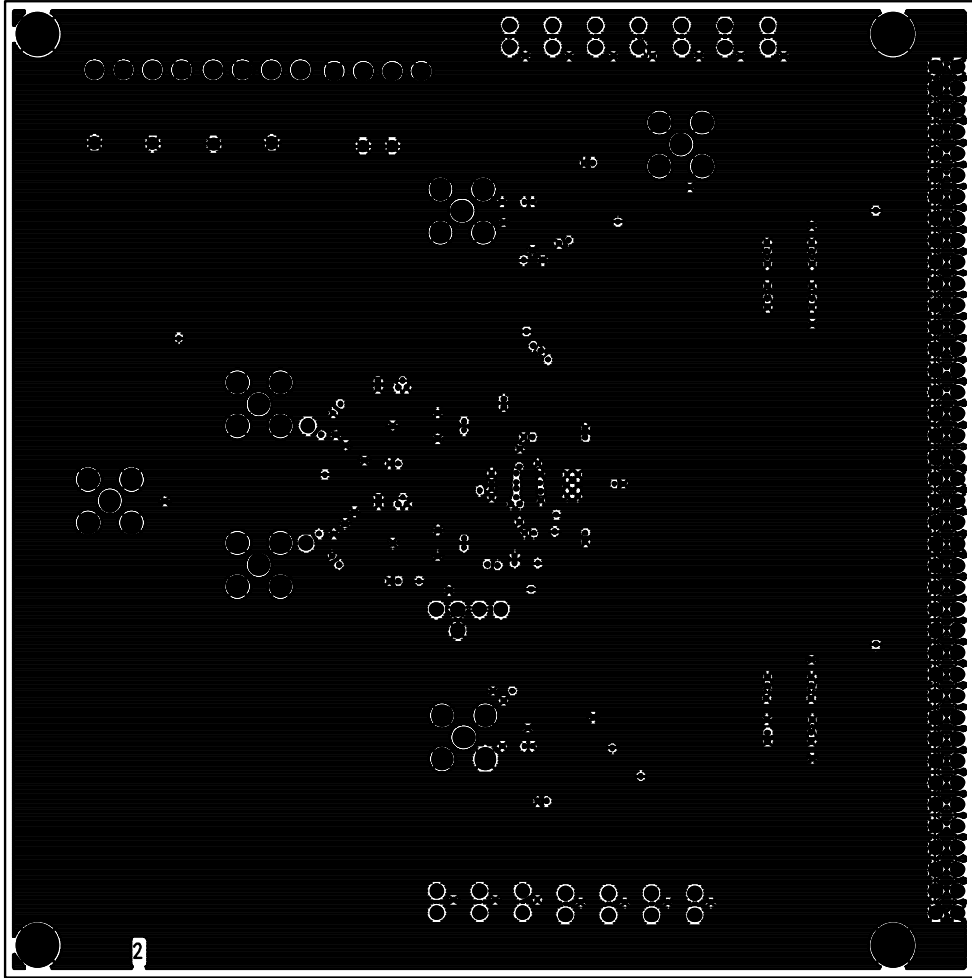


Figure 53. PCB Top-Side Silkscreen



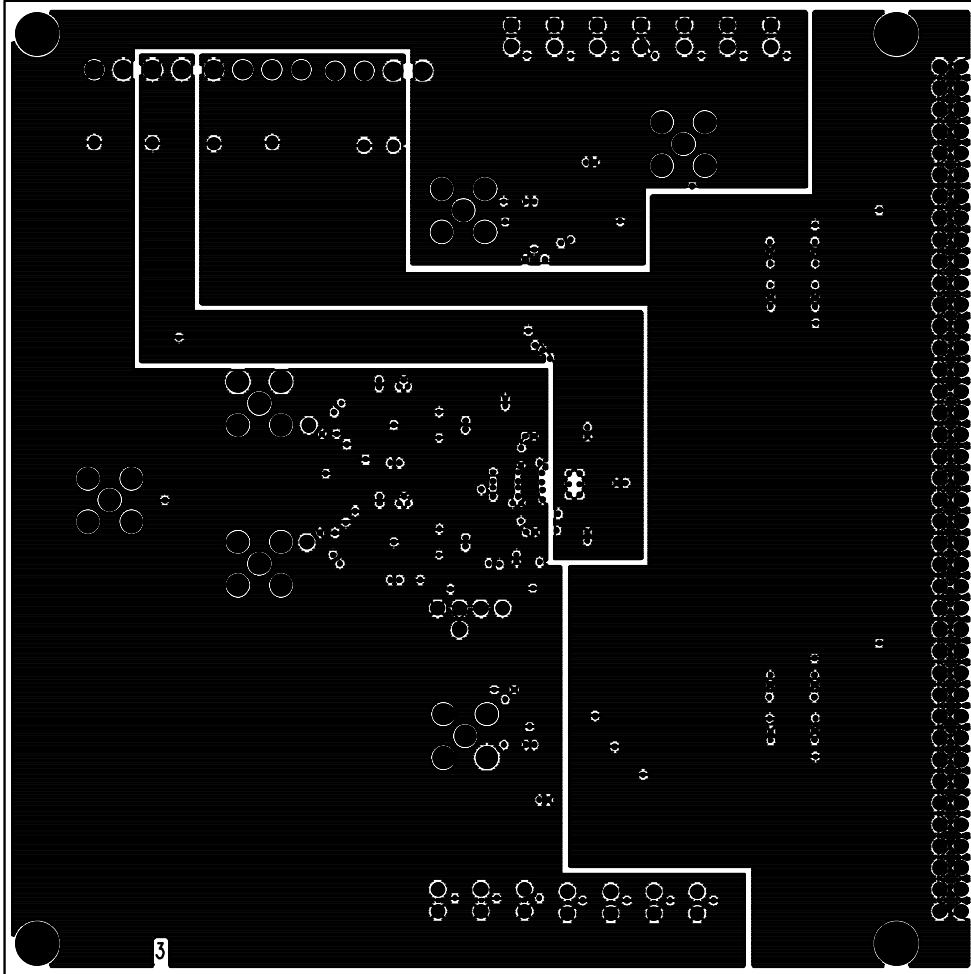
02640-073

Figure 54. PCB Top-Side Copper Routing



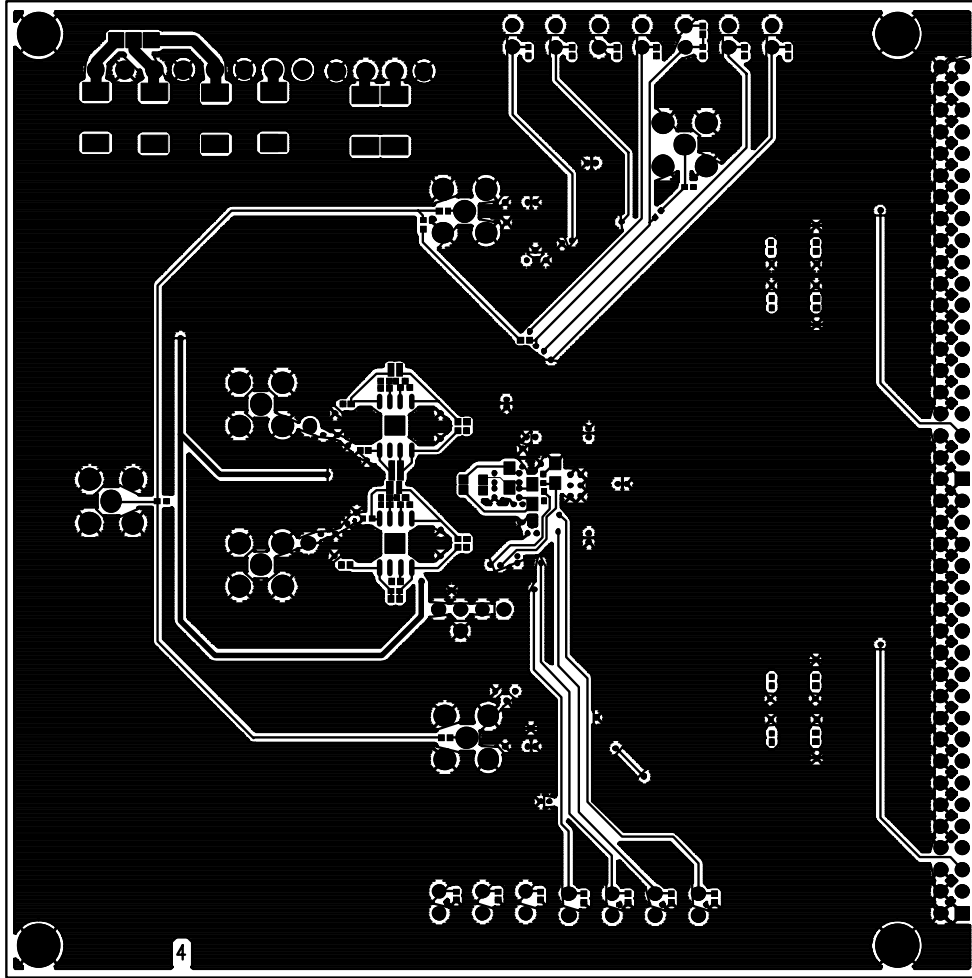
02640-074

Figure 55. PCB Ground Layer



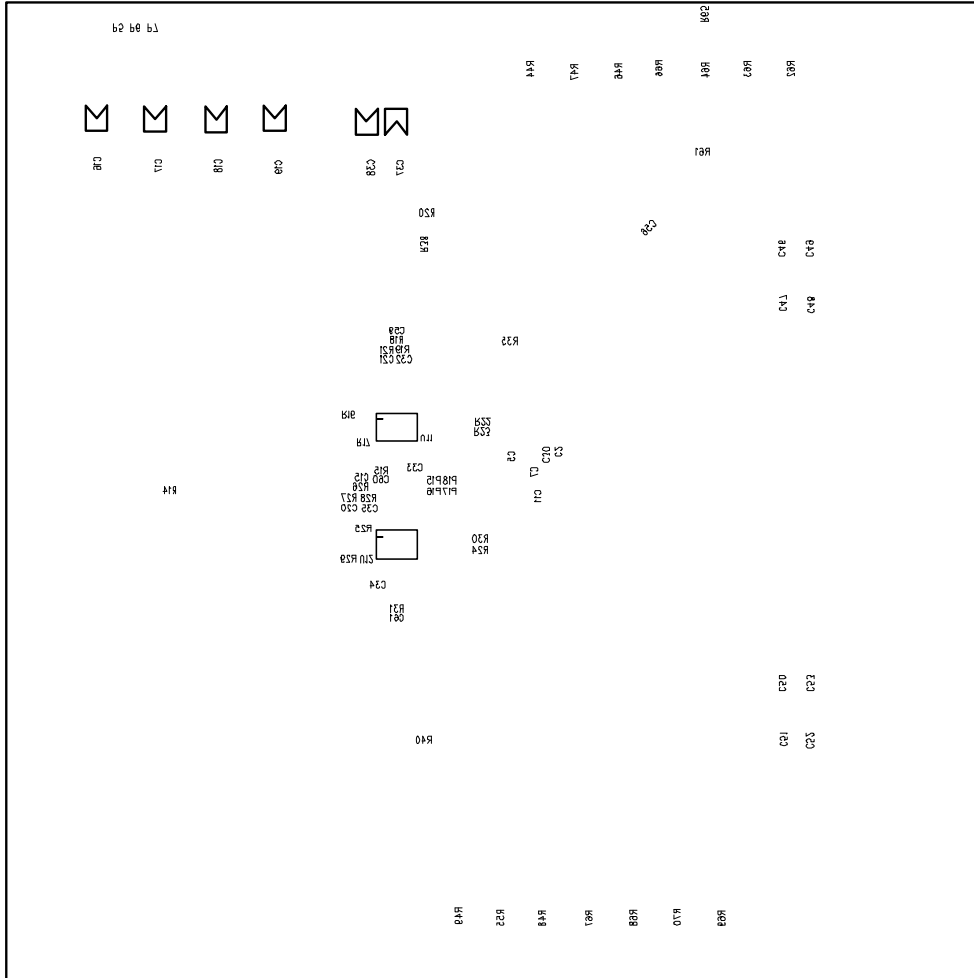
02640-075

Figure 56. PCB Split Power Plane



02640-076

Figure 57. PCB Bottom-Side Copper Routing

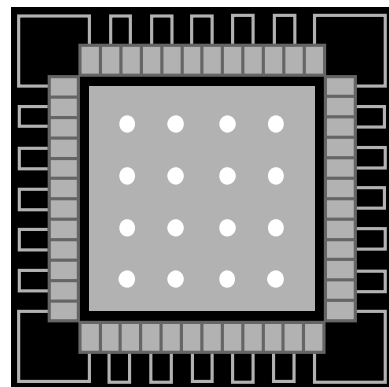


02640-077

Figure 58. PCB Bottom-Side Silkscreen

THERMAL CONSIDERATIONS

The AD9238 LFCSP has an integrated heat slug that improves the thermal and electrical properties of the package when locally attached to a ground plane at the PCB. A thermal (filled) via array to a ground plane beneath the part provides a path for heat to escape the package, lowering junction temperature. Improved electrical performance also results from the reduction in package parasitics due to proximity of the ground plane. Recommended array is 0.3 mm vias on 1.2 mm pitch. $\theta_{JA} = 26.4^{\circ}\text{C}/\text{W}$ with this recommended configuration. Soldering the slug to the PCB is a requirement for this package.



02640-078

Figure 59. Thermal Via Array

AD9238

ORDERING GUIDE

| Model ¹ | Temperature Range | Package Description | Package Option |
|--------------------|-------------------|--|----------------|
| AD9238BST-20 | -40°C to +85°C | 64-Lead Low Profile Quad Flat Package (LQFP) | ST-64-1 |
| AD9238BSTZ-20 | -40°C to +85°C | 64-Lead Low Profile Quad Flat Package (LQFP) | ST-64-1 |
| AD9238BSTZRL-20 | -40°C to +85°C | 64-Lead Low Profile Quad Flat Package (LQFP) | ST-64-1 |
| AD9238BST-40 | -40°C to +85°C | 64-Lead Low Profile Quad Flat Package (LQFP) | ST-64-1 |
| AD9238BSTRL-40 | -40°C to +85°C | 64-Lead Low Profile Quad Flat Package (LQFP) | ST-64-1 |
| AD9238BSTZ-40 | -40°C to +85°C | 64-Lead Low Profile Quad Flat Package (LQFP) | ST-64-1 |
| AD9238BSTZRL-40 | -40°C to +85°C | 64-Lead Low Profile Quad Flat Package (LQFP) | ST-64-1 |
| AD9238BST-65 | -40°C to +85°C | 64-Lead Low Profile Quad Flat Package (LQFP) | ST-64-1 |
| AD9238BSTRL-65 | -40°C to +85°C | 64-Lead Low Profile Quad Flat Package (LQFP) | ST-64-1 |
| AD9238BSTZ-65 | -40°C to +85°C | 64-Lead Low Profile Quad Flat Package (LQFP) | ST-64-1 |
| AD9238BSTZRL-65 | -40°C to +85°C | 64-Lead Low Profile Quad Flat Package (LQFP) | ST-64-1 |
| AD9238BCPZ-20 | -40°C to +85°C | 64-Lead Lead Frame Chip Scale Package (LFCSP_VQ) | CP-64-1 |
| AD9238BCPZRL-20 | -40°C to +85°C | 64-Lead Lead Frame Chip Scale Package (LFCSP_VQ) | CP-64-1 |
| AD9238BCPZ-40 | -40°C to +85°C | 64-Lead Lead Frame Chip Scale Package (LFCSP_VQ) | CP-64-1 |
| AD9238BCPZRL-40 | -40°C to +85°C | 64-Lead Lead Frame Chip Scale Package (LFCSP_VQ) | CP-64-1 |
| AD9238BCPZ-65 | -40°C to +85°C | 64-Lead Lead Frame Chip Scale Package (LFCSP_VQ) | CP-64-1 |
| AD9238BCPZRL-65 | -40°C to +85°C | 64-Lead Lead Frame Chip Scale Package (LFCSP_VQ) | CP-64-1 |
| AD9238BCP-65EBZ | | Evaluation Board | |

¹ Z = RoHS Compliant Part.

NOTES

AD9238

NOTES



Компания «ЭлектроПласт» предлагает заключение долгосрочных отношений при поставках импортных электронных компонентов на взаимовыгодных условиях!

Наши преимущества:

- Оперативные поставки широкого спектра электронных компонентов отечественного и импортного производства напрямую от производителей и с крупнейших мировых складов;
- Поставка более 17-ти миллионов наименований электронных компонентов;
- Поставка сложных, дефицитных, либо снятых с производства позиций;
- Оперативные сроки поставки под заказ (от 5 рабочих дней);
- Экспресс доставка в любую точку России;
- Техническая поддержка проекта, помощь в подборе аналогов, поставка прототипов;
- Система менеджмента качества сертифицирована по Международному стандарту ISO 9001;
- Лицензия ФСБ на осуществление работ с использованием сведений, составляющих государственную тайну;
- Поставка специализированных компонентов (Xilinx, Altera, Analog Devices, Intersil, Interpoint, Microsemi, Aeroflex, Peregrine, Syfer, Eurofarad, Texas Instrument, Miteq, Cobham, E2V, MA-COM, Hittite, Mini-Circuits, General Dynamics и др.);

Помимо этого, одним из направлений компании «ЭлектроПласт» является направление «Источники питания». Мы предлагаем Вам помощь Конструкторского отдела:

- Подбор оптимального решения, техническое обоснование при выборе компонента;
- Подбор аналогов;
- Консультации по применению компонента;
- Поставка образцов и прототипов;
- Техническая поддержка проекта;
- Защита от снятия компонента с производства.



Как с нами связаться

Телефон: 8 (812) 309 58 32 (многоканальный)

Факс: 8 (812) 320-02-42

Электронная почта: org@eplast1.ru

Адрес: 198099, г. Санкт-Петербург, ул. Калинина, дом 2, корпус 4, литера А.