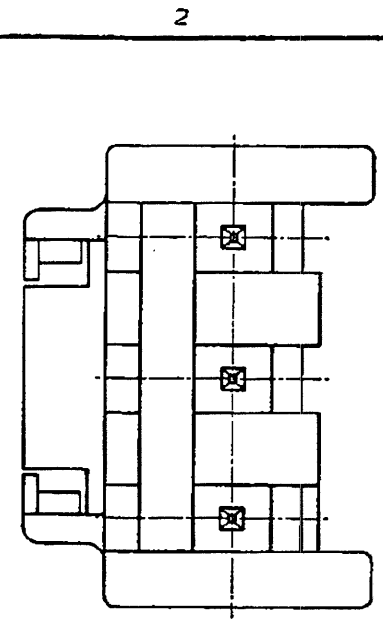
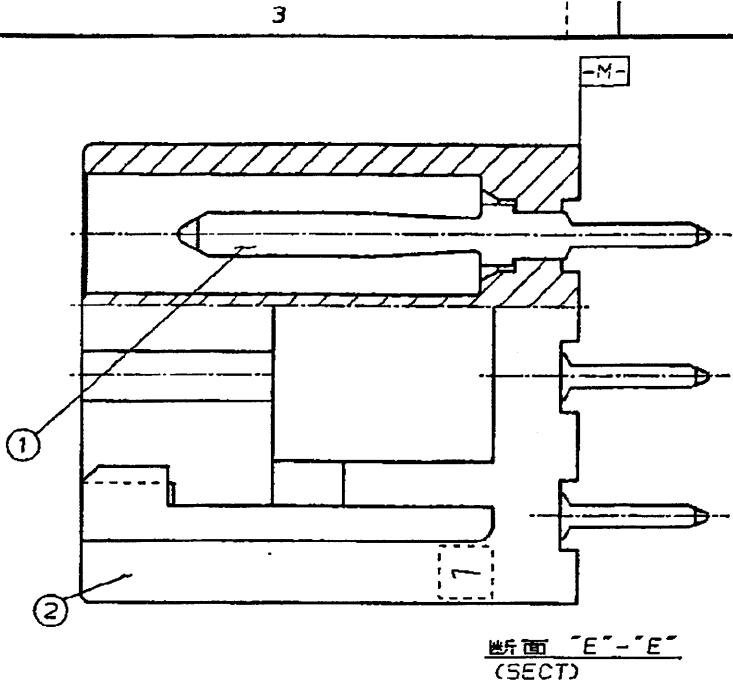
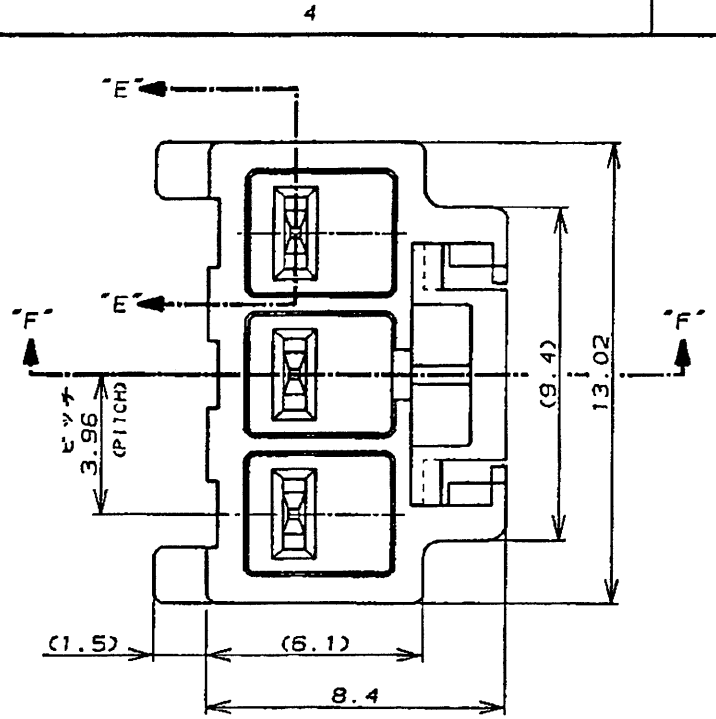


NUMBER C-176976

3.0mm (3rd ANGLE PROJECTION)

METRIC

PRINT DIST
02, #E DIMENSIONS IN MM. DO NOT SCALE PRINT



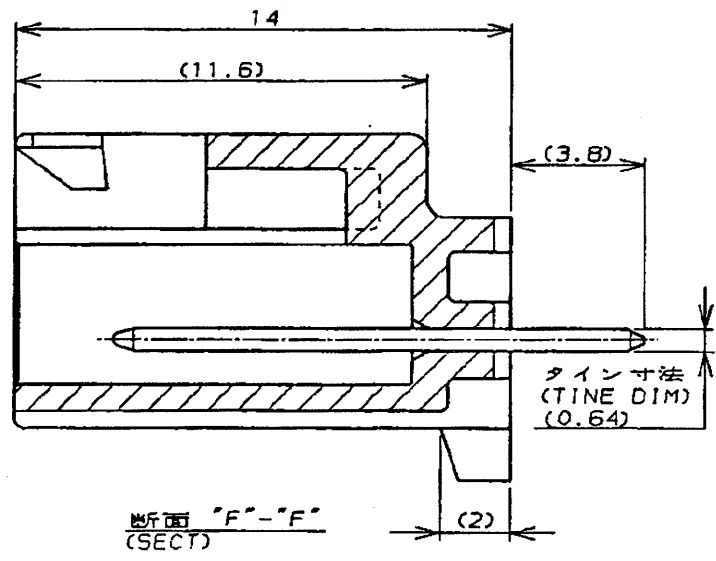
注:
1. 通用製品規格 108-5302
2. キング加工は FIG.2 参照
△ 取付基板寸法

FIG.3
HOLE DIA "D"
NON-ACCUMULATED TOLERANCE
PITCH (PITCH)

4. 通用基板厚 1.6t
△ 3極ハウジングの回路NO.2のコンタクト1本抜き仕様
6. 嵌合相手側製品型番
・ 3.96mmピッチ3極プラグ・ハウジング (176272-L)
・ 7.92mmピッチ2極プラグ・ハウジング (178125-L)
・ リセ・コンタクト (175152-L)(AWG#20-#16)
(175151-L)(AWG#26-#22)

表1
TABLE1

| NO. | 名称 (NAME) | 材料 (MATERIAL) |
|-----|----------------------------|--|
| ① | タブ (TAB) | 黄銅 錫めっき (BRASS TIN PLATED) |
| ② | ヘッダーハウジング (HEADER HOUSING) | 6/6ナイロンガラス強化(94V-0) (6/6 NYLON GLASS FILLED) トラッキング・インデックス (CT) 175<TK>250 |



NOTES,
1. PRODUCT SPEC : 108-5302
2. KINKING FORM : SEE FIG.2
△ P.C.B LAYOUT : SEE FIG.3
4. APPLICABLE P.C.B. THK : 1.6
△ CIRCUIT NO.2 IS VACANT OF 3Pos HOUSING
5. MATING CONN. P/N.
・ 3.96mmPITCH 3Pos PLUG HSG (176272-L)
・ 7.92mmPITCH 2Pos PLUG HSG (178125-L)
・ RECE CONTACT 175152-L(AWG#20-#16)
175151-L(AWG#26-#22)

| パンチ加工穴 (PUNCHED HOLE) | ドリル加工穴 (DRILLED HOLE) | タイプ (TYPE) | 板厚 (THK) | 幅 (WIDTH) | 色 (COLOR) | ピッチ (PITCH) | 位置 (POS) | P/N |
|-----------------------|-----------------------|---------------|----------|-----------|------------|-------------|----------|------------|
| 1.50±0.05 | 1.65±0.05 | タイプ2 (TYPE 2) | 0.64 | 1.10 | 黒 (BLACK) | 7.92mm | 2極 | 6-176976-9 |
| 0.95±0.05 | 1.10±0.05 | タイプ1 (TYPE 1) | 0.64 | 0.64 | 黒 (BLACK) | 7.92mm | 2極 | 6- -6 |
| 0.95±0.05 | 1.10±0.05 | タイプ3 (TYPE 3) | 0.64 | 0.64 | 黒 (BLACK) | 3.96mm | 3極 | 6- -4 |
| | | | | | 青 (BLUE) | 7.92mm | 2極 | 6- -2 |
| | | | | | 黄 (YELLOW) | 7.92mm | 2極 | 6- -1 |
| | | | | | 赤 (RED) | 7.92mm | 2極 | 5- -9 |
| | | | | | 黒 (BLACK) | 3.96mm | 3極 | 5- -6 |
| | | | | | 青 (BLUE) | 3.96mm | 3極 | 5- -4 |
| | | | | | 黄 (YELLOW) | 3.96mm | 3極 | 5- -2 |
| | | | | | 赤 (RED) | 3.96mm | 3極 | 5- -1 |
| | | | | | 黒 (BLACK) | 7.92mm | 2極 | 3- -9 |
| | | | | | 青 (BLUE) | 7.92mm | 2極 | 3- -6 |
| | | | | | 黄 (YELLOW) | 7.92mm | 2極 | 3- -4 |
| | | | | | 赤 (RED) | 7.92mm | 2極 | 3- -2 |
| | | | | | 黒 (BLACK) | 3.96mm | 3極 | 3- -1 |
| | | | | | 青 (BLUE) | 3.96mm | 3極 | -9 |
| | | | | | 黄 (YELLOW) | 3.96mm | 3極 | -6 |
| | | | | | 赤 (RED) | 3.96mm | 3極 | -4 |
| | | | | | 黒 (BLACK) | 3.96mm | 3極 | -2 |
| | | | | | 黒 (BLACK) | 3.96mm | 3極 | -1 |
| | | | | | 黒 (BLACK) | 7.92mm | 2極 | 176976-1 |
| | | | | | 黒 (BLACK) | 7.92mm | 2極 | |
| | | | | | 青 (BLUE) | 7.92mm | 2極 | |
| | | | | | 黄 (YELLOW) | 7.92mm | 2極 | |
| | | | | | 赤 (RED) | 7.92mm | 2極 | |
| | | | | | 黒 (BLACK) | 3.96mm | 3極 | |
| | | | | | 青 (BLUE) | 3.96mm | 3極 | |
| | | | | | 黄 (YELLOW) | 3.96mm | 3極 | |
| | | | | | 赤 (RED) | 3.96mm | 3極 | |
| | | | | | 黒 (BLACK) | 3.96mm | 3極 | |
| | | | | | 黒 (BLACK) | 7.92mm | 2極 | |
| | | | | | 青 (BLUE) | 7.92mm | 2極 | |
| | | | | | 黄 (YELLOW) | 7.92mm | 2極 | |
| | | | | | 赤 (RED) | 7.92mm | 2極 | |
| | | | | | 黒 (BLACK) | 3.96mm | 3極 | |
| | | | | | 青 (BLUE) | 3.96mm | 3極 | |
| | | | | | 黄 (YELLOW) | 3.96mm | 3極 | |
| | | | | | 赤 (RED) | 3.96mm | 3極 | |
| | | | | | 黒 (BLACK) | 3.96mm | 3極 | |
| | | | | | 黒 (BLACK) | 7.92mm | 2極 | |
| | | | | | 青 (BLUE) | 7.92mm | 2極 | |
| | | | | | 黄 (YELLOW) | 7.92mm | 2極 | |
| | | | | | 赤 (RED) | 7.92mm | 2極 | |
| | | | | | 黒 (BLACK) | 3.96mm | 3極 | |
| | | | | | 青 (BLUE) | 3.96mm | 3極 | |
| | | | | | 黄 (YELLOW) | 3.96mm | 3極 | |
| | | | | | 赤 (RED) | 3.96mm | 3極 | |
| | | | | | 黒 (BLACK) | 3.96mm | 3極 | |
| | | | | | 黒 (BLACK) | 7.92mm | 2極 | |
| | | | | | 青 (BLUE) | 7.92mm | 2極 | |
| | | | | | 黄 (YELLOW) | 7.92mm | 2極 | |
| | | | | | 赤 (RED) | 7.92mm | 2極 | |
| | | | | | 黒 (BLACK) | 3.96mm | 3極 | |
| | | | | | 青 (BLUE) | 3.96mm | 3極 | |
| | | | | | 黄 (YELLOW) | 3.96mm | 3極 | |
| | | | | | 赤 (RED) | 3.96mm | 3極 | |
| | | | | | 黒 (BLACK) | 3.96mm | 3極 | |
| | | | | | 黒 (BLACK) | 7.92mm | 2極 | |
| | | | | | 青 (BLUE) | 7.92mm | 2極 | |
| | | | | | 黄 (YELLOW) | 7.92mm | 2極 | |
| | | | | | 赤 (RED) | 7.92mm | 2極 | |
| | | | | | 黒 (BLACK) | 3.96mm | 3極 | |
| | | | | | 青 (BLUE) | 3.96mm | 3極 | |
| | | | | | 黄 (YELLOW) | 3.96mm | 3極 | |
| | | | | | 赤 (RED) | 3.96mm | 3極 | |
| | | | | | 黒 (BLACK) | 3.96mm | 3極 | |
| | | | | | 黒 (BLACK) | 7.92mm | 2極 | |
| | | | | | 青 (BLUE) | 7.92mm | 2極 | |
| | | | | | 黄 (YELLOW) | 7.92mm | 2極 | |
| | | | | | 赤 (RED) | 7.92mm | 2極 | |
| | | | | | 黒 (BLACK) | 3.96mm | 3極 | |
| | | | | | 青 (BLUE) | 3.96mm | 3極 | |
| | | | | | 黄 (YELLOW) | 3.96mm | 3極 | |
| | | | | | 赤 (RED) | 3.96mm | 3極 | |
| | | | | | 黒 (BLACK) | 3.96mm | 3極 | |
| | | | | | 黒 (BLACK) | 7.92mm | 2極 | |
| | | | | | 青 (BLUE) | 7.92mm | 2極 | |
| | | | | | 黄 (YELLOW) | 7.92mm | 2極 | |
| | | | | | 赤 (RED) | 7.92mm | 2極 | |
| | | | | | 黒 (BLACK) | 3.96mm | 3極 | |
| | | | | | 青 (BLUE) | 3.96mm | 3極 | |
| | | | | | 黄 (YELLOW) | 3.96mm | 3極 | |
| | | | | | 赤 (RED) | 3.96mm | 3極 | |
| | | | | | 黒 (BLACK) | 3.96mm | 3極 | |
| | | | | | 黒 (BLACK) | 7.92mm | 2極 | |
| | | | | | 青 (BLUE) | 7.92mm | 2極 | |
| | | | | | 黄 (YELLOW) | 7.92mm | 2極 | |
| | | | | | 赤 (RED) | 7.92mm | 2極 | |
| | | | | | 黒 (BLACK) | 3.96mm | 3極 | |
| | | | | | 青 (BLUE) | 3.96mm | 3極 | |
| | | | | | 黄 (YELLOW) | 3.96mm | 3極 | |
| | | | | | 赤 (RED) | 3.96mm | 3極 | |
| | | | | | 黒 (BLACK) | 3.96mm | 3極 | |
| | | | | | 黒 (BLACK) | 7.92mm | 2極 | |
| | | | | | 青 (BLUE) | 7.92mm | 2極 | |
| | | | | | 黄 (YELLOW) | 7.92mm | 2極 | |
| | | | | | 赤 (RED) | 7.92mm | 2極 | |
| | | | | | 黒 (BLACK) | 3.96mm | 3極 | |
| | | | | | 青 (BLUE) | 3.96mm | 3極 | |
| | | | | | 黄 (YELLOW) | 3.96mm | 3極 | |
| | | | | | 赤 (RED) | 3.96mm | 3極 | |
| | | | | | 黒 (BLACK) | 3.96mm | 3極 | |
| | | | | | 黒 (BLACK) | 7.92mm | 2極 | |
| | | | | | 青 (BLUE) | 7.92mm | 2極 | |
| | | | | | 黄 (YELLOW) | 7.92mm | 2極 | |
| | | | | | 赤 (RED) | 7.92mm | 2極 | |
| | | | | | 黒 (BLACK) | 3.96mm | 3極 | |
| | | | | | 青 (BLUE) | 3.96mm | 3極 | |
| | | | | | 黄 (YELLOW) | 3.96mm | 3極 | |
| | | | | | 赤 (RED) | 3.96mm | 3極 | |
| | | | | | 黒 (BLACK) | 3.96mm | 3極 | |
| | | | | | 黒 (BLACK) | 7.92mm | 2極 | |
| | | | | | 青 (BLUE) | 7.92mm | 2極 | |
| | | | | | 黄 (YELLOW) | 7.92mm | 2極 | |
| | | | | | 赤 (RED) | 7.92mm | 2極 | |
| | | | | | 黒 (BLACK) | 3.96mm | 3極 | |
| | | | | | 青 (BLUE) | 3.96mm | 3極 | |
| | | | | | 黄 (YELLOW) | 3.96mm | 3極 | |
| | | | | | 赤 (RED) | 3.96mm | 3極 | |
| | | | | | 黒 (BLACK) | 3.96mm | 3極 | |
| | | | | | 黒 (BLACK) | 7.92mm | 2極 | |
| | | | | | 青 (BLUE) | 7.92mm | 2極 | |
| | | | | | 黄 (YELLOW) | 7.92mm | 2極 | |
| | | | | | 赤 (RED) | 7.92mm | 2極 | |
| | | | | | 黒 (BLACK) | 3.96mm | 3極 | |
| | | | | | 青 (BLUE) | 3.96mm | 3極 | |
| | | | | | 黄 (YELLOW) | 3.96mm | 3極 | |
| | | | | | 赤 (RED) | 3.96mm | 3極 | |
| | | | | | 黒 (BLACK) | 3.96mm | 3極 | |
| | | | | | 黒 (BLACK) | 7.92mm | 2極 | |
| | | | | | 青 (BLUE) | 7.92mm | 2極 | |
| | | | | | 黄 (YELLOW) | 7.92mm | 2極 | |
| | | | | | 赤 (RED) | 7.92mm | 2極 | |
| | | | | | 黒 (BLACK) | 3.96mm | 3極 | |
| | | | | | 青 (BLUE) | 3.96mm | 3極 | |
| | | | | | 黄 (YELLOW) | 3.96mm | 3極 | |
| | | | | | 赤 (RED) | 3.96mm | 3極 | |
| | | | | | 黒 (BLACK) | 3.96mm | 3極 | |
| | | | | | 黒 (BLACK) | 7.92mm | 2極 | |
| | | | | | 青 (BLUE) | 7.92mm | 2極 | |
| | | | | | 黄 (YELLOW) | 7.92mm | 2極 | |
| | | | | | 赤 (RED) | 7.92mm | 2極 | |
| | | | | | 黒 (BLACK) | 3.96mm | 3極 | |
| | | | | | 青 (BLUE) | 3.96mm | 3極 | |
| | | | | | 黄 (YELLOW) | 3.96mm | 3極 | |
| | | | | | 赤 (RED) | 3.96mm | 3極 | |
| | | | | | 黒 (BLACK) | 3.96mm | 3極 | |
| | | | | | 黒 (BLACK) | 7.92mm | 2極 | |
| | | | | | 青 (BLUE) | 7.92mm | 2極 | |
| | | | | | 黄 (YELLOW) | 7.92mm | 2極 | |
| | | | | | 赤 (RED) | 7.92mm | 2極 | |
| | | | | | 黒 (BLACK) | 3.96mm | 3極 | |
| | | | | | 青 (BLUE) | 3.96mm | 3極 | |
| | | | | | 黄 (YELLOW) | 3.96mm | 3極 | |
| | | | | | 赤 (RED) | 3.96mm | 3極 | |
| | | | | | 黒 (BLACK) | 3.96mm | 3極 | |
| | | | | | 黒 (BLACK) | 7.92mm | 2極 | |
| | | | | | 青 (BLUE) | 7.92mm | 2極 | |
| | | | | | 黄 (YELLOW) | 7.92mm | 2極 | |
| | | | | | 赤 (RED) | 7.92mm | 2極 | |
| | | | | | 黒 (BLACK) | 3.96mm | 3極 | |
| | | | | | 青 (BLUE) | 3.96mm | 3極 | |
| | | | | | 黄 (YELLOW) | 3.96mm | 3極 | |
| | | | | | 赤 (RED) | 3.96mm | 3極 | |
| | | | | | 黒 (BLACK) | 3.96mm | 3極 | |
| | | | | | 黒 (BLACK) | 7.92mm | 2極 | |



Компания «ЭлектроПласт» предлагает заключение долгосрочных отношений при поставках импортных электронных компонентов на взаимовыгодных условиях!

Наши преимущества:

- Оперативные поставки широкого спектра электронных компонентов отечественного и импортного производства напрямую от производителей и с крупнейших мировых складов;
- Поставка более 17-ти миллионов наименований электронных компонентов;
- Поставка сложных, дефицитных, либо снятых с производства позиций;
- Оперативные сроки поставки под заказ (от 5 рабочих дней);
- Экспресс доставка в любую точку России;
- Техническая поддержка проекта, помощь в подборе аналогов, поставка прототипов;
- Система менеджмента качества сертифицирована по Международному стандарту ISO 9001;
- Лицензия ФСБ на осуществление работ с использованием сведений, составляющих государственную тайну;
- Поставка специализированных компонентов (Xilinx, Altera, Analog Devices, Intersil, Interpoint, Microsemi, Aeroflex, Peregrine, Syfer, Eurofarad, Texas Instrument, Miteq, Cobham, E2V, MA-COM, Hittite, Mini-Circuits, General Dynamics и др.);

Помимо этого, одним из направлений компании «ЭлектроПласт» является направление «Источники питания». Мы предлагаем Вам помощь Конструкторского отдела:

- Подбор оптимального решения, техническое обоснование при выборе компонента;
- Подбор аналогов;
- Консультации по применению компонента;
- Поставка образцов и прототипов;
- Техническая поддержка проекта;
- Защита от снятия компонента с производства.



Как с нами связаться

Телефон: 8 (812) 309 58 32 (многоканальный)

Факс: 8 (812) 320-02-42

Электронная почта: org@eplast1.ru

Адрес: 198099, г. Санкт-Петербург, ул. Калинина, дом 2, корпус 4, литера А.