

# CliQ M DIN Rail Power Supply

## 24V 960W 1 Phase / DRM-24V960W1PN



### Highlights & Features

- Universal AC input voltage range
- Built-in active PFC with up to 95.5% efficiency
- Full power from -25°C to +60°C @ 5,000m (16,400 ft.)
- Power Boost of 150% up to 7 seconds
- Advanced Power Boost (APB) – protect system and ensure continuing operation when large inrush current detected due to faulty load on a multiple load connection
- DNV GL and ABS approvals for maritime applications
- Built-in DC OK Contact and LED indicator for DC OK/ Overload
- Features current sharing for parallel connection / Shut-Down Input / Remote Control of Output Voltage / Internal Data Logging for troubleshooting
- Conformal coating on PCBAs to protect against common dust and chemical pollutants

### Safety Standards



CB Certified for worldwide use

**Model Number:** DRM-24V960W1PN  
**Unit Weight:** 2.87 kg (6.33 lb)  
**Dimensions (L x W x D):** 124 x 125 x 133.6 mm (4.88 x 4.92 x 5.26 inch)

### General Description

Delta Electronics is introducing one of the slimmest DIN rail industrial power supplies in its class, the CliQ M DIN rail power supply series. To fulfill the demands in maritime applications, the product is designed according to major industrial and maritime (Lloyd’s Register) safety standards. Other features include compliance with harmonic current IEC/EN 61000-3-2, class A, built-in DC OK contacts, and an LED for indicating DC OK and Overload conditions. In addition to having Power Boost of 150% up to 7 seconds, the CliQ M series is the first in the CliQ family to feature Advanced Power Boost (APB). With multiple loads connected in a system, a large inrush current could be drawn (demanded) due to one fault load. This will be detected by APB. The APB will trip the circuit breaker (circuit breaker with appropriate rating based on the system load) on the current path of the fault load due to high current. This thus prevents the system from shutting down while the other connected current paths continue to operate without interruption.

### Model Information

CliQ M DIN Rail Power Supply

Model Number	Input Voltage Range	Rated Output Voltage	Rated Output Current
DRM-24V960W1PN	85-264Vac	24Vdc	40.0A

### Model Numbering

DR	M –	24V	960W	1	P	N
DIN Rail	CliQ M Series	Output Voltage	Output Power	Single Phase	Advanced Power Boost (APB)	N - Metal Case, without Class I, Div 2 and ATEX approvals



# CliQ M DIN Rail Power Supply

## 24V 960W 1 Phase / DRM-24V960W1PN

### Specifications

#### Input Ratings / Characteristics

Nominal Input Voltage		100-240Vac	Applicable for TN-, TT and IT mains networks		
Input Voltage Range		90-264Vac	Continuously operating		
		85-90Vac	With power de-rating. Refer to Fig. 5 on page 10.		
Input Frequency	Nom.	50-60Hz	Range: 47-63Hz		
DC Input Voltage Range		N/A	Not applicable for DC input		
		100Vac	120Vac	230Vac	
Input Current	Typ.	10.50A	8.60A	4.50A	At 24V, 40A. Refer to Fig. 1 on page 3.
	Max.	12.00A	10.10A	6.00A	At 24V, 40A.
Efficiency	Typ.	94.10%	94.71%	95.98%	At 24V, 40A. Refer to Fig. 2 on page 3.
	Min.	93.20%	93.60%	94.60%	At 24V, 40A.
Average Efficiency	Typ.	93.23%	93.60%	94.49%	At 24V, 10.0A (25%), 20.0A (50%),
	Min.	92.70%	93.00%	93.60%	30.0A (75%), 40.0A (100%)
Max Power Dissipation	Typ.	4.20W	3.03W	2.60W	Shut-Down function activated
	Max.	4.50W	4.50W	4.50W	Shut-Down function activated
	Typ.	5.58W	4.61W	3.70W	At 24V, 0A. Refer to Fig. 3 on page 3.
	Max.	13.9W	13.1W	13.2W	At 24V, 0A.
	Typ.	60.32W	53.71W	40.21W	At 24V, 40A. Refer to Fig. 3 on page 3.
	Max.	70.00W	65.60W	54.80W	At 24V, 40A.
Max Inrush Current (Cold Start)	Typ.	8A	10A	17A	Entire operating temperature range
	Max.	11A	13A	20A	
Max Inrush Energy (Cold Start)	Max.	5A <sup>2</sup> s			
Power Factor	Typ.	0.99	0.99	0.96	At 24V, 40A. Refer to Fig. 4 on page 3.
	Min.	0.97	0.97	0.95	At 24V, 40A.
Crest Factor	Max.	1.72	1.78	1.81	At 24V, 40A.
Leakage Current (Enclosure to Neutral)		0.50mA / 1.21mA 0.71mA / 1.73mA 1.18mA / 2.82mA			110Vac, 50Hz, TN/TT system / IT system 132Vac, 60Hz, TN/TT system / IT system 264Vac, 50Hz, TN/TT system / IT system

# CliQ M DIN Rail Power Supply

## 24V 960W 1 Phase / DRM-24V960W1PN

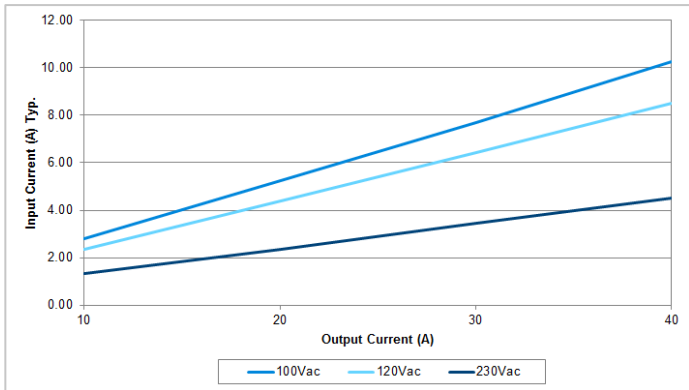


Fig. 1 Input Current VS Output Load at 24V

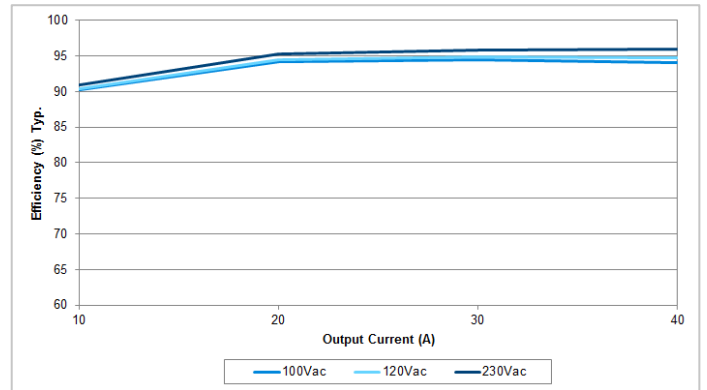


Fig. 2 Efficiency VS Output Load at 24V

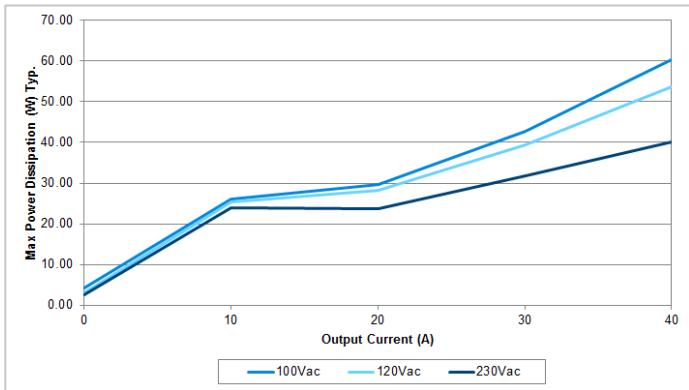


Fig. 3 Max Power Dissipation VS Output Load at 24V

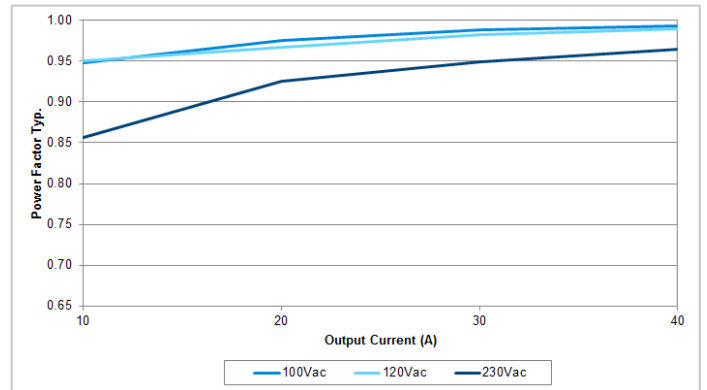


Fig. 4 Power Factor VS Output Load at 24V

# CliQ M DIN Rail Power Supply

## 24V 960W 1 Phase / DRM-24V960W1PN

### Output Ratings / Characteristics\*

Nominal Output Voltage		24Vdc	
Factory Set Point Tolerance		24Vdc $\pm$ 1.0%	
Output Voltage Adjustment Range		24-28Vdc	
Output Current	Nom. Nom.	40.0A / 34.3A 60.0A / 51.5A (Slew rate 0.1A/ $\mu$ s)	Continuously operating at 24V / 28V Power Boost for 5 seconds at 24V / 28V, refer to the details in the Function section
Output Power	Nom. Nom.	960W / 960.4W 1,440W / 1,442W	Continuously operating at 24V / 28V Power Boost for 5 seconds at 24V / 28V, refer to the details in the Functions section
Power Boost Duration	Typ. Max.	5 seconds 7 seconds	Duration after which output voltage start to droop. Refer to the details in the Function section at Overload & Overcurrent Protections
Power Boost Recovery Time	Typ.	17 seconds	Required wait duration before next Power Boost can be delivered by the power supply. Refer to the details in the Function section
Advanced Power Boost (Slew rate 0.1A/ $\mu$ s)	Typ. Typ. Typ. Typ.	80A @ 50ms, resistive load 110A @ 25ms, resistive load 200A @ 2ms, resistive load 200A @ 5ms, resistive load	Output voltage will drop (Refer to the details in the Function section)
Line Regulation	Max.	10mV (@ 85-264Vac input, 100% load)	
Load Regulation	Max. Typ.	50mV (@ single mode, 0-100% load) 1000mV (@ parallel mode, 0-100% load)	
PARD**	Max.	100mVpp	20Hz to 20MHz, 50Ohm, warm up for 10mins

\*For power de-rating from 60°C to 70°C, see power de-rating on page 10.

\*\*PARD is measured with an AC coupling mode, 5cm wires, and in parallel with 0.1 $\mu$ F ceramic capacitor & 47 $\mu$ F electrolytic capacitor.

		100Vac	120Vac	230Vac	
Rise Time	Max.		75ms		0 $\mu$ F, 24V, 40A.
	Max.		75ms		40,000 $\mu$ F, 24V, 40A.
Start-up Time	Max.		800ms		At 24V, 40A.
Hold-up Time	Typ.		52ms		At 24V, 20A.
	Min.		45ms		At 24V, 20A.
	Typ.		24ms		At 24V, 40A.
	Min.		23ms		At 24V, 40A.
Dynamic Response (Overshoot & Undershoot O/P Voltage)	Max.	$\pm$ 5% @ 0.7-40A load			Slew rate 0.1A/ $\mu$ s (@ 5Hz, 50Hz & 1kHz, 50% Duty Cycle)
Start-up with Capacitive Loads	Max.	40,000 $\mu$ F			
Output Capacitance	Typ.	10,200 $\mu$ F			Built-in output capacitors
Functional	DC OK Relay Contact	Rated: 30V at 1A, resistive load. Refer to the details in the Function section at DC OK Relay Contacts and LED Indicator Characteristics on page 13.			
	Parallel operation	Yes, refer to Parallel Operation on page 19.			

# CliQ M DIN Rail Power Supply

## 24V 960W 1 Phase / DRM-24V960W1PN

### Mechanical

Case Cover / Chassis	Aluminium	
Dimensions (L x W x D)	124 x 125 x 133.6 mm (4.88 x 4.92 x 5.26 inch)	
Unit Weight	2.87 kg (6.33 lb)	
Indicator	Green LED (DC OK) and Red LED (Overload)	
Cooling System	Convection	
Terminal	Input	3 Pins (Rated 600V/35A)
	Output	4 Pins (Rated 300V/65A)
	Signal	5 Pins (Rated 300V/10A)
Wire	Input	AWG 16-8
	Output	AWG 10-6
	Signal	AWG 20-16
Mounting Rail	Standard TS35 DIN Rail in accordance with EN 60715	
Noise (1 Meter from power supply)	Sound Pressure Level (SPL) < 25dBA	

### Environment

Surrounding Air Temperature	Operating	-25°C to +70°C (Cold start -40°C)
	Storage	-40°C to +85°C
Power De-rating	Vertical Mounting	<b>Temperature:</b> > 60°C de-rate power by 2.5% / °C <b>Input Voltage:</b> If < 90Vac, > 55°C de-rate power by 1.67% / °C
	Horizontal Mounting	<b>Temperature:</b> > 40°C de-rate power by 1.67% / °C <b>Input Voltage:</b> If < 90Vac, > 35°C de-rate power by 1.43% / °C
Operating Humidity	5 to 95% RH (Non-Condensing)	
Operating Altitude	0 to 5,000 Meters (16,400 ft.) 0 to 2,500 Meters (8,200 ft.) for IEC/EN 61558	
Shock Test	Non-Operating	IEC 60068-2-27, Half Sine Wave: 30G for a duration of 18ms; 3 times per direction, 6 times in total
Vibration	Non-Operating	IEC 60068-2-6, Sine Wave: 10-500Hz; 3G peak; displacement of 0.35mm; 60 min per axis for all X, Y, Z directions
Bump Test	Operating	IEC 60068-2-29, Half Sine Wave: 10G for a duration of 11ms, 1,000 times per direction, 6,000 times in total
Over Voltage Category	III	According to IEC/EN 62477-1 / EN 60204-1 (clearance and creepage distances) and IEC 62103 (safety part)
Pollution Degree	2	

# CliQ M DIN Rail Power Supply

## 24V 960W 1 Phase / DRM-24V960W1PN

### Protections

Overvoltage	< 32V, SELV Output, Hiccup Mode, Non-Latching (Auto-Recovery)	Refer to the details in the Function section
Overload / Overcurrent	> 150% of rated load current, Constant current, Hiccup Mode (Auto-Recovery)	Refer to the details in the Function section
Over Temperature	< 80°C Surrounding Air Temperature @ 100% load, Non-Latching (Auto-Recovery)	Refer to the details in the Function section
Short Circuit	Hiccup Mode, Non-Latching (Auto-Recovery when the fault is removed)	Load impedance ≤ 100mOhm, refer to the details in the Function section
Transient Surge Voltage Protection	MOV (Metal Oxide Varistor)	
Internal Fuse at L pin	T20A	
Degree of Protection	IP20	
Protection Against Shock	Class I with PE* connection	

\*PE: Primary Earth

### Reliability Data

MTBF (as per Telcordia SR-332)	513,800 hrs.	I/P: 100Vac, O/P: 24V, 40A, Ta: 25°C	
	312,900 hrs.	I/P: 100Vac, O/P: 24V, 40A, Ta: 40°C	
Expected Cap Life Time**	100Vac	230Vac	
	131,400hrs.		O/P: 24V, 40A, Ta: 25°C
	131,400hrs.		O/P: 24V, 20A, Ta: 25°C
	60,000hrs.	92,000hrs.	O/P: 24V, 40A, Ta: 40°C
	131,400hrs.	115,400hrs.	O/P: 24V, 20A, Ta: 40°C

\*\*Estimated lifetime when 24 hours operating a day and E-cap's manufacturer guarantee at 131,400 hrs. (15 years) as maximum limit of lifetime.

# CliQ M DIN Rail Power Supply

## 24V 960W 1 Phase / DRM-24V960W1PN

### Safety Standards / Directives

Electrical Equipment of Machines		EN 60204-1 (over voltage category III)
Electrical Equipment for Use in Electrical Power Installations		IEC/EN 62477-1 / IEC 62103
Safety Entry Low Voltage		PELV* (EN 60204-1), SELV (EN 60950-1)
Electrical Safety	SIQ Bauart	EN 60950-1, EN 61558-1, EN 61558-2-16, EN 61010-1, EN 61010-2-201
	UL/cUL recognized	UL 60950-1 and CSA C22.2 No. 60950-1 (File No. E191395)
	CB scheme	IEC 60950-1, IEC 61558-1, IEC 61558-2-16, IEC 61010-1, IEC 61010-2-201
Industrial Control Equipment	UL/cUL listed	UL 508 and CSA C22.2 No. 107.1-01 (File No. E315355)
	CSA	CSA C22.2 No. 107.1-01 (File No. 181564)
Maritime	DNV GL	Germanischer Lloyd classified
	ABS	American Bureau for Shipping) PDA Environmental category: C, EMC2
CE		In conformance with EMC Directive 2014/30/EU and Low Voltage Directive 2014/35/EU
Material and Parts		RoHS Directive 2011/65/EU Compliant (EN 50581)
Galvanic Isolation	4.54KVac	Input / Output
	2.5KVac	Input / PE
	4.54KVac	Input / DC OK relay contact**
	1.5KVac	Output / PE
	0.5KVac	Output / DC OK relay contact
	1.5KVac	DC OK relay contact / PE
Isolation Resistance	> 5M $\Omega$ m	Input to Output, 500Vdc
PE Resistance	< 0.1 $\Omega$ m	

\*Output must be earthed in the final unit in order to comply with PELV requirements according to standard EN 60204-1.

\*\*Recommend to connect DC OK pins together with output pins.

# CliQ M DIN Rail Power Supply

## 24V 960W 1 Phase / DRM-24V960W1PN

### EMC

Emissions (CE & RE)		Generic Standards: EN 61000-6-3 CISPR 32, EN 55032, CISPR 11, EN 55011, FCC Title 47: Class B		
Component Power Supply for General Use		EN 61204-3		
Immunity		Generic Standards: EN 55024, EN 61000-6-2		
Electrostatic Discharge	IEC 61000-4-2	Level 4 Criteria A <sup>1)</sup> Air Discharge: 15kV Contact Discharge: 8kV		
Radiated Field	IEC 61000-4-3	Level 3 Criteria A <sup>1)</sup> 80MHz-1GHz, 20V/M, 80% modulation (1kHz) 1.4GHz-2GHz, 20V/M, 80% modulation (1KHz) 2GHz-2.7GHz, 20V/M, 80% modulation (1KHz)		
Electrical Fast Transient / Burst	IEC 61000-4-4	Level 4 Criteria A <sup>1)</sup> 4kV		
Surge	IEC 61000-4-5	Level 4 Criteria A <sup>1)</sup> Common Mode <sup>3)</sup> : 4kV Differential Mode <sup>4)</sup> : 2kV		
Conducted	IEC 61000-4-6	Level 3 Criteria A <sup>1)</sup> 150kHz-80MHz, 20Vrms		
Power Frequency Magnetic Fields	IEC 61000-4-8	Criteria A <sup>1)</sup> 30A/Meter		
Voltage Dips and Interruptions	IEC 61000-4-11	0% of 100Vac 40% of 100Vac 70% of 100Vac 0% of 100Vac 0% of 240Vac 40% of 240Vac 70% of 240Vac 0% of 240Vac	0Vac, 20ms 40Vac, 200ms 70Vac, 500ms 0Vac, 5000ms 0Vac, 20ms 96Vac, 200ms 168Vac, 500ms 0Vac, 5000ms	Criteria A <sup>1)</sup> Criteria B <sup>2)</sup> Criteria A <sup>1)</sup> Criteria B <sup>2)</sup> Criteria A <sup>1)</sup> Criteria A <sup>1)</sup> Criteria A <sup>1)</sup> Criteria B <sup>2)</sup>
Low Energy Pulse Test (Ring Wave)	IEC 61000-4-12	Level 3 Criteria A <sup>1)</sup> Common Mode <sup>3)</sup> : 2kV Differential Mode <sup>4)</sup> : 1kV		
Harmonic Current Emission	IEC/EN 61000-3-2, Class A			
Voltage Fluctuation and Flicker	IEC/EN 61000-3-3			
Voltage Sag Immunity SEMI F47 – 0706	80% of 120Vac 70% of 120Vac 50% of 120Vac	96Vac, 1000ms 84Vac, 500ms 60Vac, 200ms	Criteria A <sup>1)</sup> Criteria A <sup>1)</sup> Criteria A <sup>1)</sup>	

1) Criteria A: Normal performance within the specification limits  
 2) Criteria B: Temporary degradation or loss of function which is self-recoverable  
 3) Asymmetrical: Common mode (Line to earth)  
 4) Symmetrical: Differential mode (Line to line)

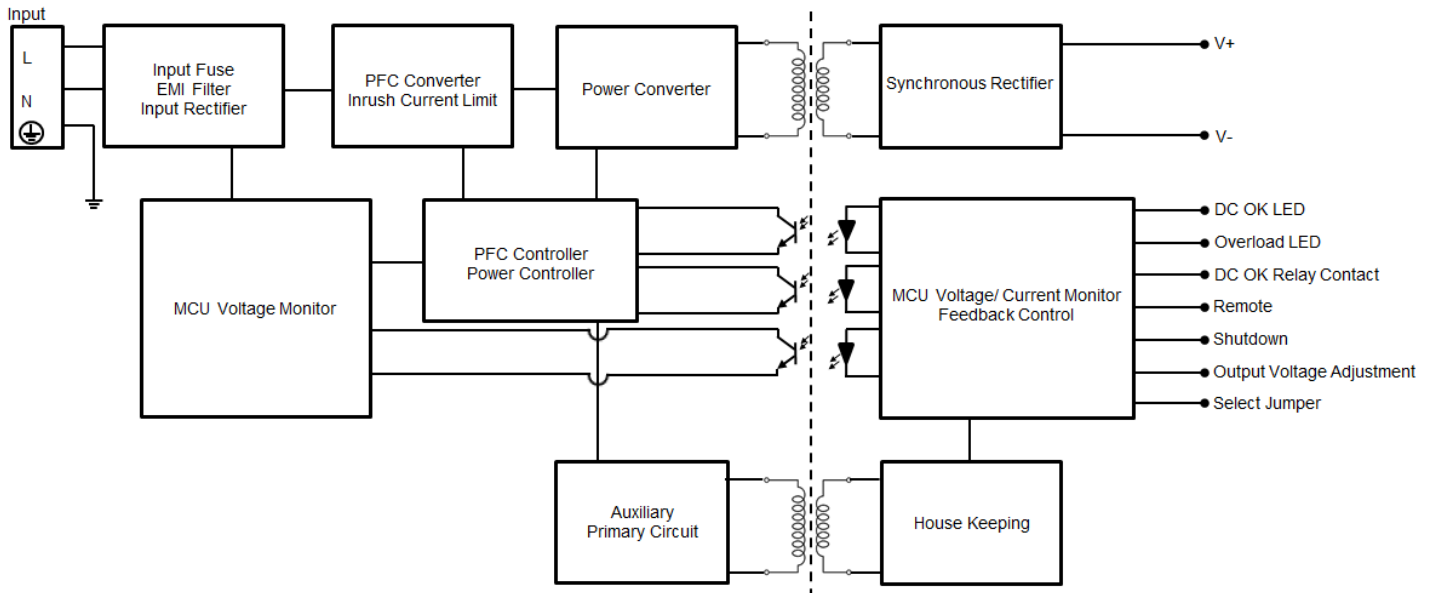




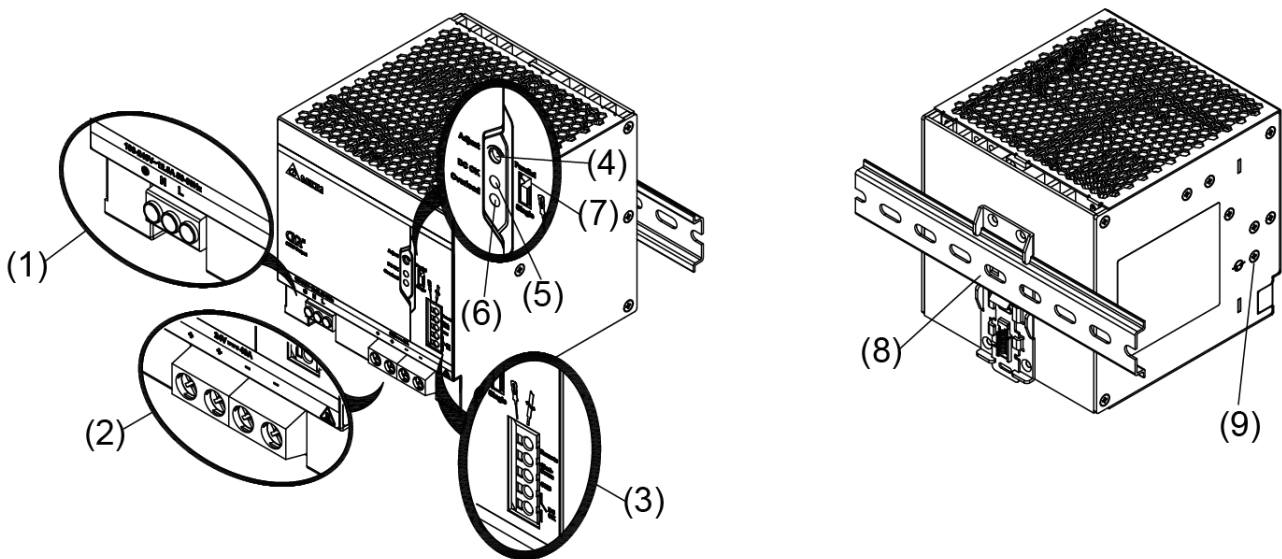
# CliQ M DIN Rail Power Supply

## 24V 960W 1 Phase / DRM-24V960W1PN

### Block Diagram



### Device Description



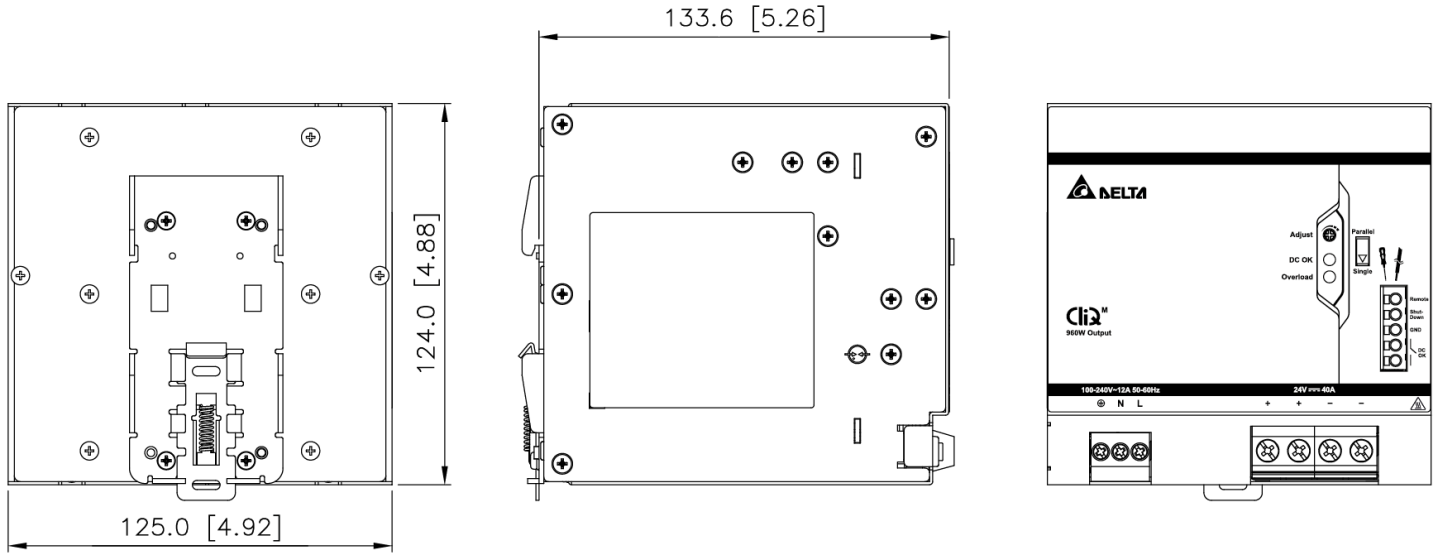
- 1) Input terminal block connector
- 2) Output terminal block connector
- 3) Signal terminal block connector
- 4) DC voltage adjustment potentiometer
- 5) DC OK LED (Green)
- 6) Overload LED (Red)
- 7) Select jumper (Single/Parallel operation mode)
- 8) Universal mounting rail system
- 9) Gas discharge tube (on left side of housing) used for surge protection.  
Disconnect gas discharge tube (remove Philips head screw) during dielectric test of > 0.5KVac or 0.8KVdc.

# CliQ M DIN Rail Power Supply

## 24V 960W 1 Phase / DRM-24V960W1PN

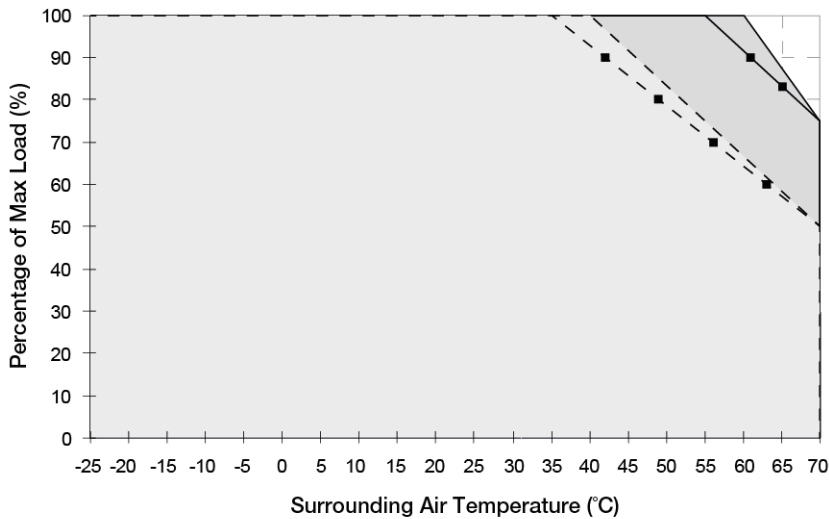
### Dimensions

L x W x D: 124 x 125 x 133.6 mm (4.88 x 4.92 x 5.26 inch)



### Engineering Data

#### Output Load De-rating VS Surrounding Air Temperature



V <sub>in</sub>	Vertical Mounting	Horizontal Mounting
90-264Vac	—	- - -
< 90Vac	—◆—	- ◆ -

#### Note

1. Power supply components may degrade, or be damaged, when the power supply is continuously used outside the shaded region, refer to the graph shown in Fig. 5.
2. If the output capacity is not reduced when the surrounding air temperature exceeds its specification as defined on Page 5 under "Environment", the device will run into Over Temperature Protection. When activated, the output voltage will go into bouncing mode and will recover when the surrounding air temperature is lowered or the load is reduced as far as necessary to keep the device in working condition.
3. In order for the device to function in the manner intended, it is also necessary to keep a safety distance as recommended in the safety instructions while the device is in operation.
4. Depending on the surrounding air temperature and output load delivered by the power supply, the device can be very hot!
5. If the device has to be mounted in any other orientation, please contact [info@deltapsu.com](mailto:info@deltapsu.com) for more details.

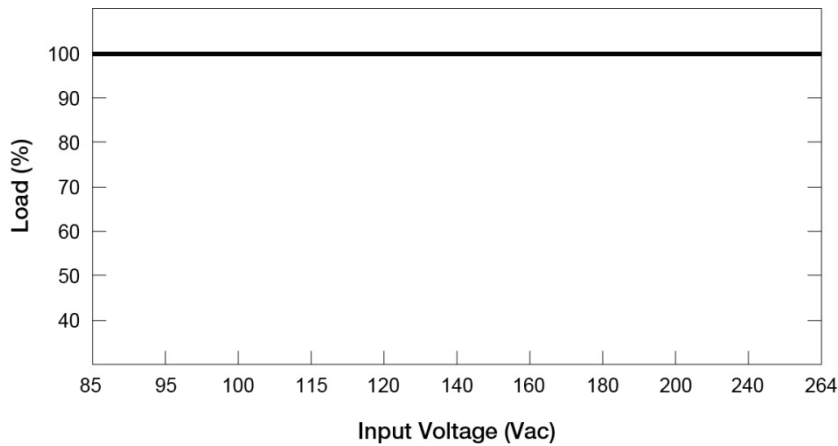
**Fig. 5 De-rating for Vertical Mounting Orientation**  
 > 60°C de-rate power by 2.5% / °C  
 If V<sub>in</sub> < 90Vac, > 55°C de-rate power by 1.67% / °C

**De-rating for Horizontal Mounting Orientation**  
 > 40°C de-rate power by 1.67% / °C  
 If V<sub>in</sub> < 90Vac, > 35°C de-rate power by 1.43% / °C

# CliQ M DIN Rail Power Supply

## 24V 960W 1 Phase / DRM-24V960W1PN

### Output Load De-rating VS Input Voltage



■ No output power de-rating for the input voltage range, refer to Fig. 5 on page 10

### Assembly & Installation

The power supply unit (PSU) can be mounted on 35mm DIN rails in accordance with EN 60715. For Vertical Mounting, the device should be installed with input terminal block at the bottom. For Horizontal Mounting, the device should be installed with input terminal block on the left side.

Each device is delivered ready to install.

1. Tilt the unit upwards and insert it onto the DIN rail. Snap on the DIN rail as shown in Fig. 6.1.
2. Push downwards until stopped.
3. Press against the bottom front side for locking.
4. Shake the unit slightly to ensure that it is secured.
5. To uninstall, pull or slide down the latch with screw driver as shown in Fig. 6.2. Then slide the power supply unit (PSU) in the opposite direction, release the latch and pull out the power supply unit (PSU) from the rail.

#### Mounting

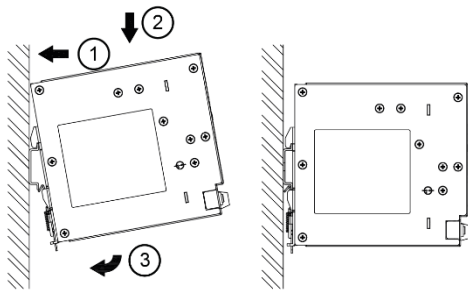


Fig. 6.1 Mounting

#### Dismounting

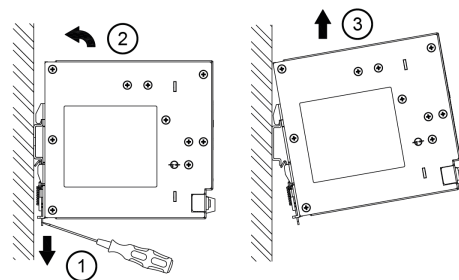


Fig. 6.2 Dismounting

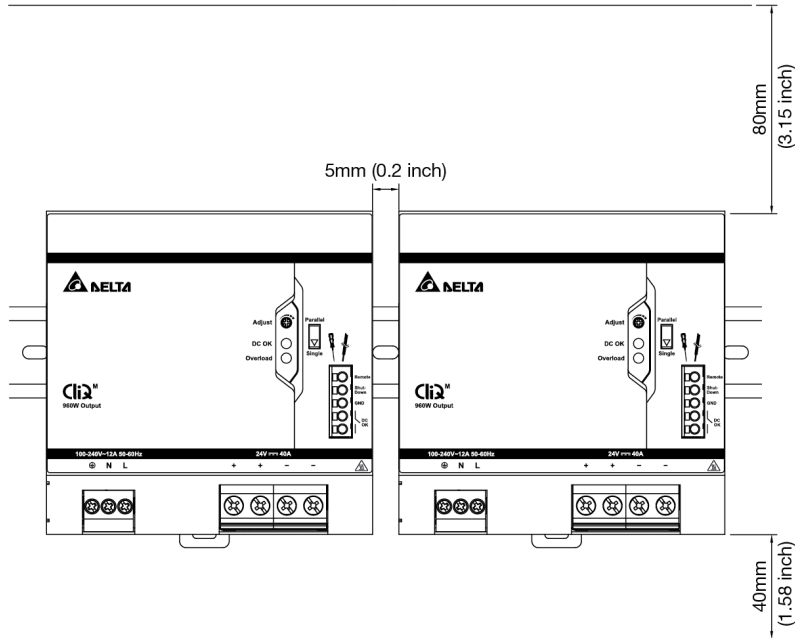
- In accordance to EN 60950 / UL 60950, flexible cables require ferrules.  
Use appropriate copper cables designed to sustain operating temperature of:
1. 60°C, 60°C / 75°C for USA
  2. At least 90°C for Canada
  3. At least 105°C for IEC/EN61010-1, IEC/EN61010-2-201.

# CliQ M DIN Rail Power Supply

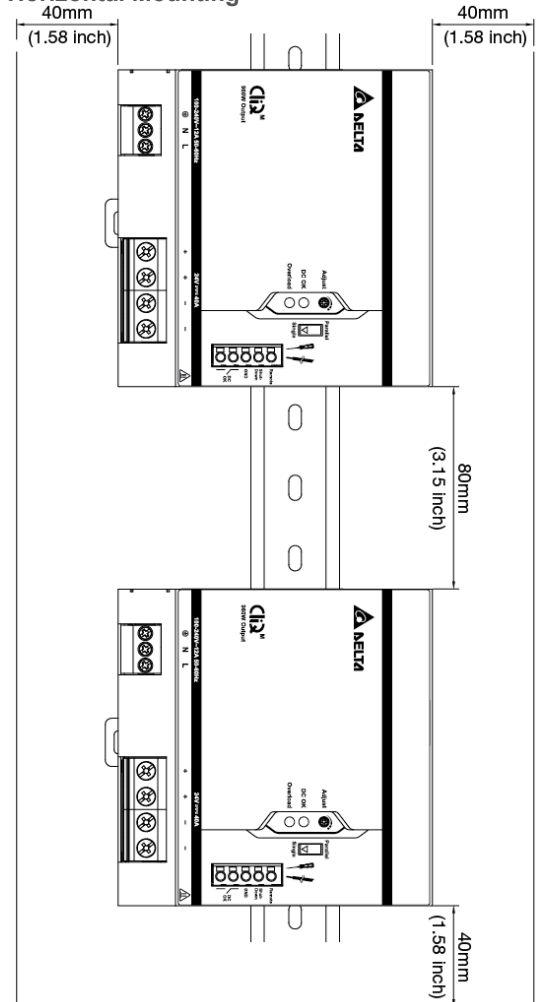
## 24V 960W 1 Phase / DRM-24V960W1PN

### Safety Instructions

#### ■ Vertical Mounting



#### ■ Horizontal Mounting



- ALWAYS switch mains of input power OFF before connecting and disconnecting the input voltage to the device. If mains are not turned OFF, there is risk of explosion / severe damage.
- If the unit is used in a manner not specified by the manufacturer, the protection provided by the equipment may be impaired.
- To guarantee sufficient convection cooling, please refer to the following instructions to ensure sufficient clearance around the device.

**Vertical Mounting:** 80mm (3.15 inch) above and 40mm (1.58 inch) below the device as well as a lateral distance of 5mm (0.2 inch) to other units. In case the adjacent device is a heat source, the lateral distance will be 15mm (0.6 inch).

**Horizontal Mounting:** 80mm (3.15 inch) above and 40mm (1.58 inch) below the device as well as a lateral distance of 40mm (1.58 inch) to other units.

- The external enclosure where the unit will be installed shall meet the requirements for mechanical, electrical and fire enclosure.
- Note that the enclosure of the device can become very hot depending on the surrounding air temperature and output load connected to the device. Risk of burns!
- The main power must be turned off before connecting or disconnecting wires to the terminals.
- DO NOT insert any objects into the unit.
- Dangerous voltages present for at least 5 minutes after disconnected all sources of power.
- The power supplies are built in units and must be installed in a cabinet or room (condensation free environment and indoor location) that is relatively free of conductive contaminants.
- The power supply shall be installed within service maintenance area only; and the cord connector or attachment plug shall not be disconnected while the power supply and system are still running.

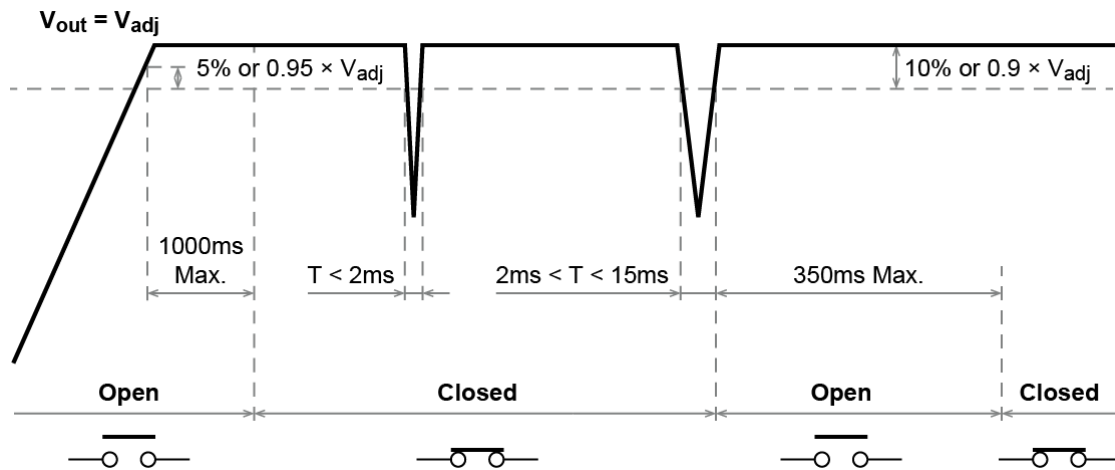
# CliQ M DIN Rail Power Supply

## 24V 960W 1 Phase / DRM-24V960W1PN

### Functions

#### DC OK Relay Contacts and LED Indicator Characteristics

DC OK Relay Contacts Status	Characteristics
Contact closes	The output voltage reaches 95% of its steady state set value. The contact will close within 1000ms.
Contact opens	The output voltage dip lower than 90% of its steady state set value: <ul style="list-style-type: none"> <li>Output voltage dip duration less than 2ms will be ignored.</li> <li>Output voltage dip duration more than 2ms. The contact will open within 15ms and remain open for an extended duration up to 350ms max.</li> </ul>
Contact re-closes	The output voltage reaches 90% of its steady state set value. The contact will close in 350ms max.



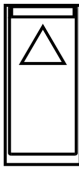
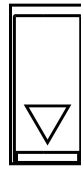
Operating Status	DC OK (Green LED)	Overload (Red LED)	DC OK Relay Contact
Normal Operation	ON	OFF	Closed
During Power Boost	ON	OFF	Closed
Overload ( $V_{out} \leq 90\%$ of adjusted voltage)	OFF	Flashing	Open
Output Short Circuit	OFF	Flashing	Open
Over Temperature	OFF	Flashing	Open
No Input Power	OFF	OFF	Open
Active shut down input	OFF	Flashing	Open

# CliQ M DIN Rail Power Supply

## 24V 960W 1 Phase / DRM-24V960W1PN

### Single/Parallel Selection

This select jumper on the front of the power supply unit (refer to Device Description, item 7 in page 9) enables load sharing when power supplies are connected in parallel. When the jumper is in parallel mode, the output voltage will droop down around 4% from no load to maximum load. If the jumper is not plugged in, the power supply unit functions in single mode. Default factory setting jumper is in single mode.

Parallel Selection	Single Selection
<p><b>Parallel</b></p>  <p><b>Single</b></p>	<p><b>Parallel</b></p>  <p><b>Single</b></p>

Instructions for Parallel Mode:

Ensure that output voltage is adjusted to  $V_o + 1V (\pm 0.1V)$  in "Parallel Mode" at no load conditions on all units.

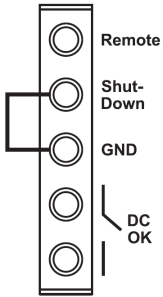
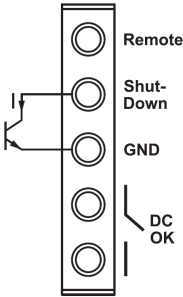
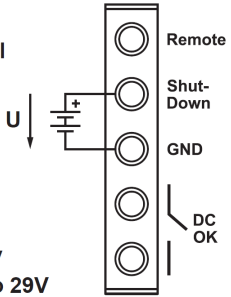
$V_o$  = output voltage at maximum load conditions in parallel mode.

Example:

$V_o$  at maximum load = 24V. The output voltage adjusted for parallel mode at no load should be  $(V_o + 1V) 24 + 1 = 25V (\pm 0.1V)$ .

### Shut-Down Input Characteristics

This feature allows a switch-off of the output of the power supply with a signal switch or an external voltage.

<p><b>Option A:</b></p>  <p><b>OFF: Linked</b> <b>ON: Open</b></p>	<p><b>Option B:</b> (via open collector)</p>  <p><b>OFF: <math>I &gt; 0.3mA</math></b> <b>ON: <math>I &lt; 0.1mA</math></b></p>	<p><b>Option C:</b> (via external voltage)</p>  <p><b>OFF: <math>U &lt; 1V</math></b> <b>ON: <math>U = 4 \text{ to } 29V</math></b></p>
---	--	--

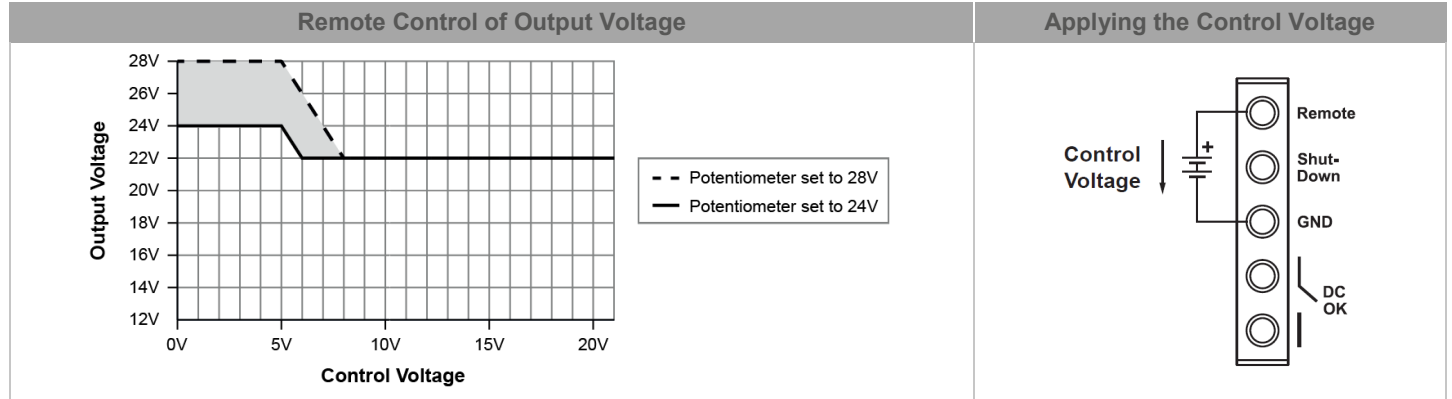
- The shut-down function has no safety feature included.
- The shut-down occurs immediately while the turn-on is delayed up to 350ms.
- In a shut-down condition, the output voltage is  $< 2V$  and the output power is  $< 0.5W$ .
- In a series operation of multiple power supplies only wiring option "A" with individual signal switches is allowed.
- Please note that option C requires a current sink capability of the voltage source. Do not use a blocking diode.
- In option C the PSU should be ON at  $U = 4 \text{ to } 29V \pm 0.5V$

# CliQ M DIN Rail Power Supply

## 24V 960W 1 Phase / DRM-24V960W1PN

### Remote Control of Output Voltage Characteristics

Remote pin function is to control the output voltage between typically 22Vdc and 28Vdc.



Instructions:

- Set the unit into "Single mode".
- Set the output voltage adjustment to the maximum desired voltage.
- Apply a control voltage to reduce the output voltage.

### Internal Data Logging

A protected microcontroller inside the power supply acquires and stores operating data during the life of the unit. The data can be downloaded with a small tool and special software by the Delta service and repair personnel even when the unit is defect. The data allows for better troubleshooting. Analysis of what happened before a failure can be determined much more accurately.

Acquired data:

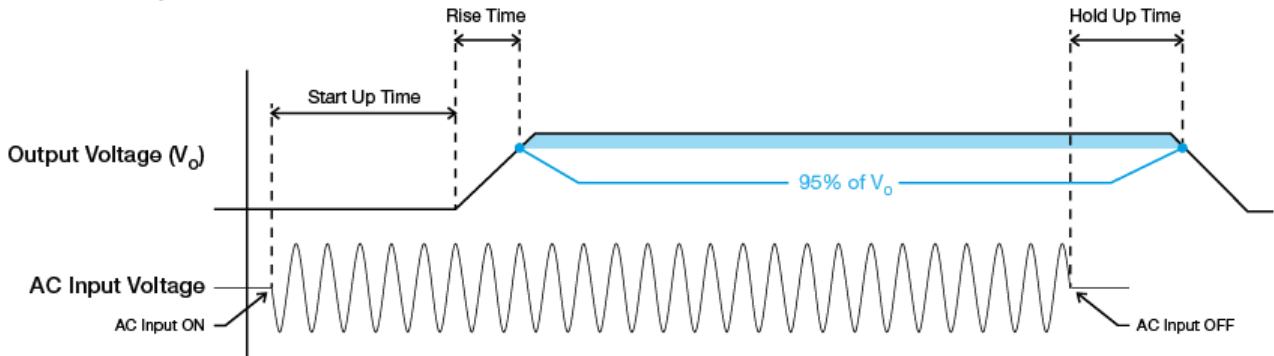
- Family name of unit (M24V960W1PN), revision of firmware
- Operational hours
- Expired portion of lifetime (combination of temperature and period of time)
- Maximum internal ambient temperatures with timestamp (max 19 values)
- Maximal AC input voltages with timestamp (max 19 values)
- Failure report (various internal errors)
- Number and timestamp of input overvoltage transients
- Number and timestamp of over-temperature shut-downs
- Number of turn-on sequences

The data will be acquired with a fixed sampling rate unless the peak detectors do trigger due to an abnormal condition. In such cases, the abnormal condition will be captured. Furthermore, data will be acquired every time shortly before the unit switches off.

# CliQ M DIN Rail Power Supply

## 24V 960W 1 Phase / DRM-24V960W1PN

■ Graph illustrating the Start-up Time, Rise Time, and Hold-up Time



### Start-up Time

The time required for the output voltage before output voltage rise up, after the input voltage is applied.

### Rise Time

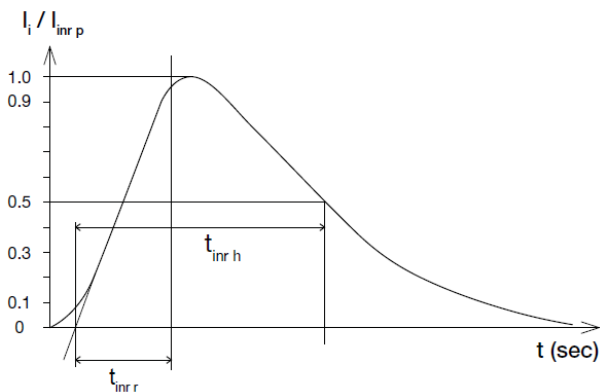
The time required for the output voltage to change from 0% to 95% of its final steady state set value.

### Hold-up Time

Time between the collapse of the AC input voltage, and the output falling to 95% of its steady state set value.

### Inrush Current

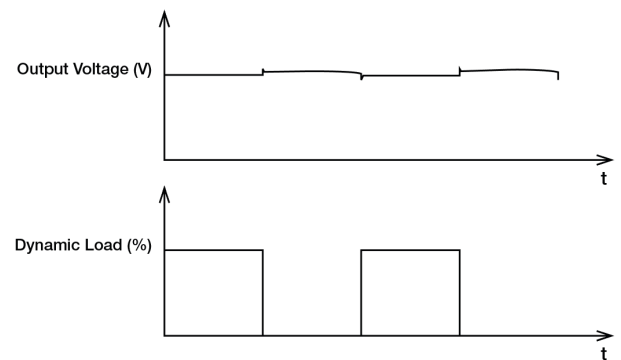
Inrush current is the peak, instantaneous, input current measured and, occurs when the input voltage is first applied. For AC input voltages, the maximum peak value of inrush current will occur during the first half cycle of the applied AC voltage. This peak value decreases exponentially during subsequent cycles of AC voltage.



### Dynamic Response

The power supply output voltage will remain within  $\pm 5\%$  of its steady state value, when subjected to a dynamic load from 1.75% to 100% of its rated current.

■ 50% duty cycle / 5Hz to 1KHz



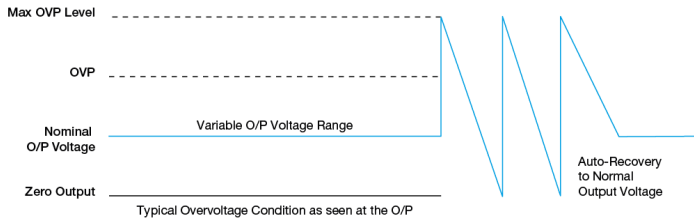


# CliQ M DIN Rail Power Supply

## 24V 960W 1 Phase / DRM-24V960W1PN

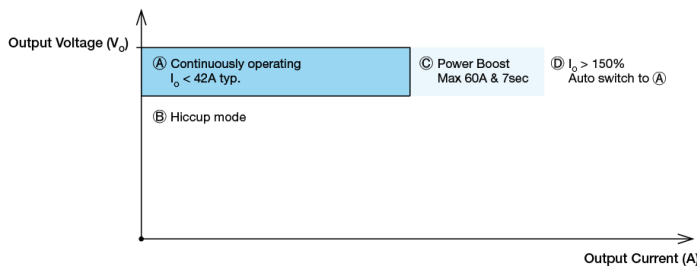
### Overvoltage Protection (Auto-Recovery)

The power supply's overvoltage circuit will be activated when its internal feedback circuit fails. The output voltage shall not exceed its specifications defined on Page 6 under "Protections".



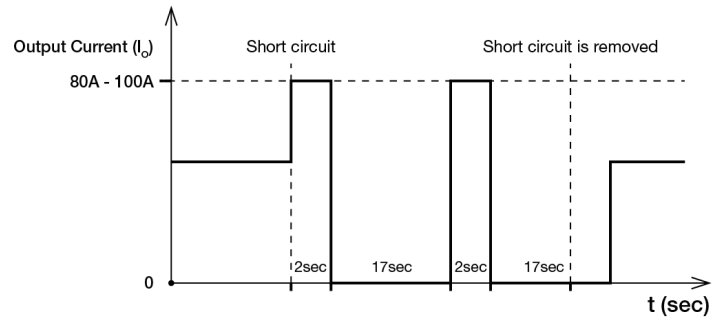
### Overload & Overcurrent Protections (Auto-Recovery)

The power supply's Overload (OLP) and Overcurrent (OCP) Protections will be activated when output current is  $> 150\%$  of  $I_o$  (output current). When this occurs, the output current will limit to 42A typ. (refer to Ⓐ below) and  $V_o$  (output voltage) will start to droop. Once  $V_o$  is below approximately 20Vdc typ., the power supply will start to operate in "Hiccup mode" as described in short circuit protection. The power supply will recover once the fault condition due to OLP or OCP is removed, then  $I_o$  is back within its specified limits.



### Short Circuit Protection (Auto-Recovery)

The power supply's output Short Circuit Protection function also provides protection against short circuits. When a short circuit is applied, the output current will start to operate in "Hiccup mode". The power supply will return to normal operation after the short circuit is removed.



### Over Temperature Protection (Auto-Recovery)

As described in load de-rating section, the power supply also has Over Temperature Protection (OTP). In the event of a higher operating temperature at 100% load, the power supply will run into OTP when the operating temperature is beyond what is recommended in the de-rating graph. When activated, the output voltage will go into bouncing mode until the temperature drops to its normal operating temperature as recommended in the de-rating graph.

# CliQ M DIN Rail Power Supply

## 24V 960W 1 Phase / DRM-24V960W1PN

### Power Boost

Power Boost is the reserve power available constantly that allows reliable startup to support sudden and short spike of loads with high inrush current typically during turn on to remove the need of more expensive higher rated power supply unit. After the output has reached its steady state set value, the power supply can support surge loads with a higher short-term power demand up to 150% of maximum rated load ( $I_o$  Max), for a maximum duration of 7 seconds. If the power boost lasts longer than maximum duration, the output current will limit to 42A typ. and  $V_o$  (output voltage) will start to droop, refer to the details in overload & overcurrent protections and the next Power Boost will be available after power boost recovery time defined on Page 4. In order to avoid this, need to maintain the duty cycle & recovery time to ensure that average (R.M.S) output power shall not exceed the continuous maximum, see duty cycle calculation below.

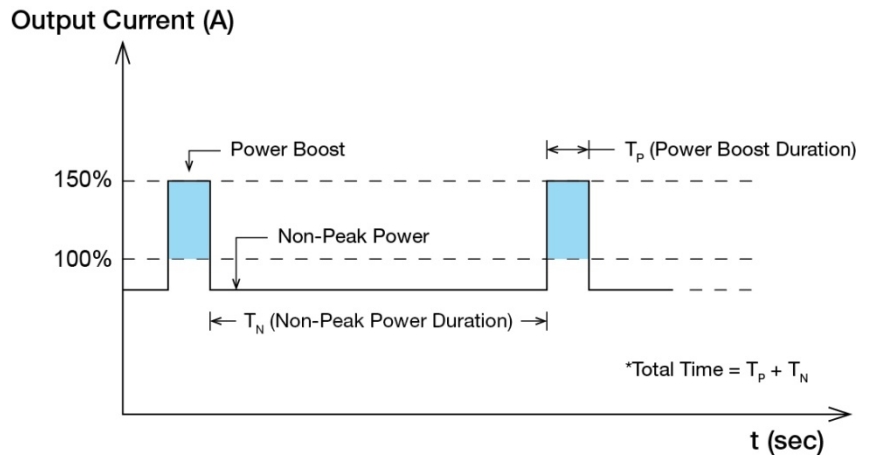


Fig. 7 Duty Cycle Calculation

$$\text{Duty cycle (\%)} = \frac{T_p}{\text{Total Time}}$$

$$\text{Average Output Power (P}_{Avg}\text{)} = \frac{(\text{Power Boost} \times T_p) + (\text{Non-Peak Power} \times T_N)}{\text{Total Time}}$$

OR

$$\text{Non-Peak Power} = \frac{(\text{P}_{Avg} \times \text{Total Time}) - (\text{Power Boost} \times T_p)}{T_N}$$

### ■ An example of Power Boost and Average Output Power

Power Boost	Peak Power (W <sub>P</sub> )	Power Boost Duration (T <sub>P</sub> )	Duty Cycle	Non-Peak Power (W <sub>N</sub> )	Non-Peak Power Duration (T <sub>N</sub> )	Total Time (T)
150%	1440	1 sec	10%	907W	9 sec	10 sec
150%	1440	5 sec	30%	751W	11.5 sec	16.5 sec
125%	1200	1 sec	10%	933W	9 sec	10 sec
125%	1200	5 sec	30%	856W	11.5 sec	16.5 sec

# CliQ M DIN Rail Power Supply

## 24V 960W 1 Phase / DRM-24V960W1PN

### Advanced Power Boost (APB)

With multiple loads connected in a system and due to one of fault load a large inrush current is drawn (demanded), this will be detected by APB. This APB can trip the external output protection device with appropriate rating based on system load. Thus preventing the system from shutting down while other connected current paths continue to operate without interruption.

The following waveforms demonstrate the behavior.

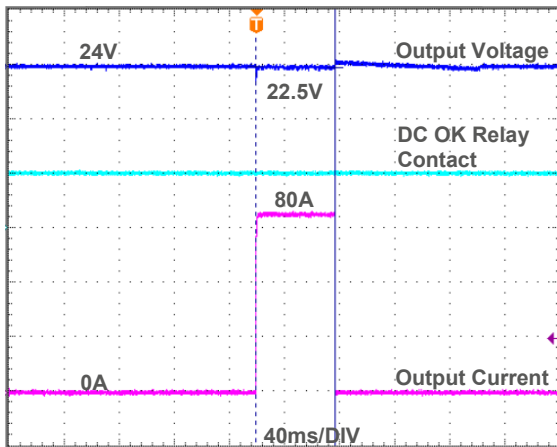


Fig. 8.1 APB 200% of nominal output current for 50ms

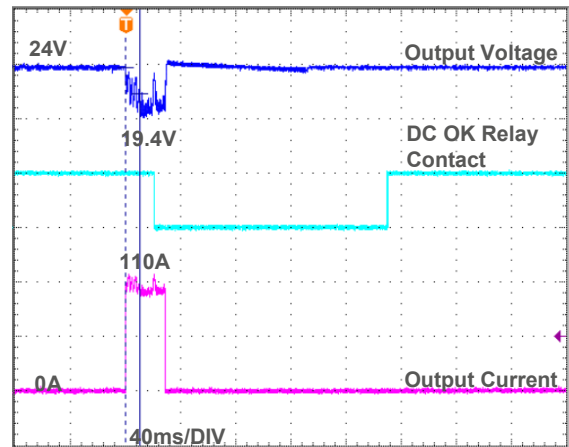


Fig. 8.2 APB 275% of nominal output current for 25ms

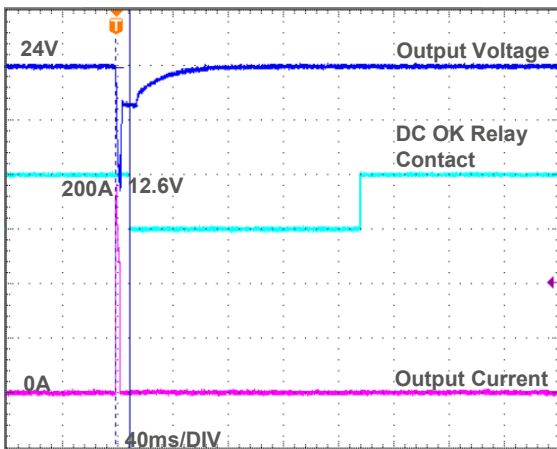


Fig. 8.3 APB 500% of nominal output current for 2ms

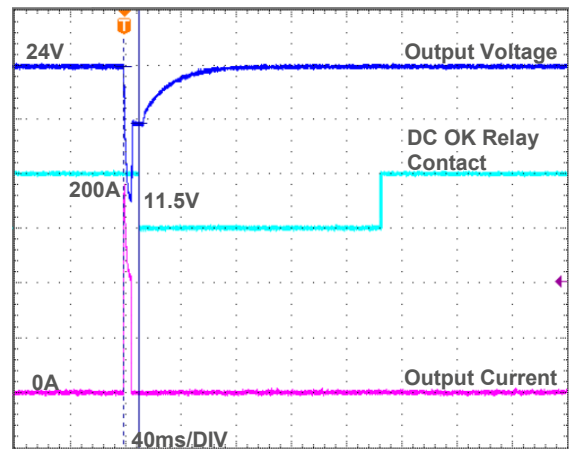


Fig. 8.4 APB 500% of nominal output current for 5ms

### External Input Protection Device

The unit is protected at the L pin, with an internal fuse that cannot be replaced. The power supply has been tested and approved on 30A (UL) and 32A (IEC) branch circuits without additional protection device. An external protection device is only required if the supplying branch has an ampacity greater than above. Thus, if an external protective device is necessary, or, utilized, please refer a minimum value in instruction sheet with B or C characteristic breaker.

# CliQ M DIN Rail Power Supply

## 24V 960W 1 Phase / DRM-24V960W1PN

### Operating Mode

#### ■ Redundant Operation

In order to ensure proper redundant operation for the power supply units (PSUs), follow simple steps given below to set them up for the redundant operation:

##### Step 1.

In order to set the output voltage, ensure that each power supply is selected in "Parallel Mode" at no load conditions at any line voltage from 85-264Vac, and set the PSU 1 and PSU 2 output voltage to  $V_o^* + 1V (\pm 0.1V)$ .

##### Step 2.

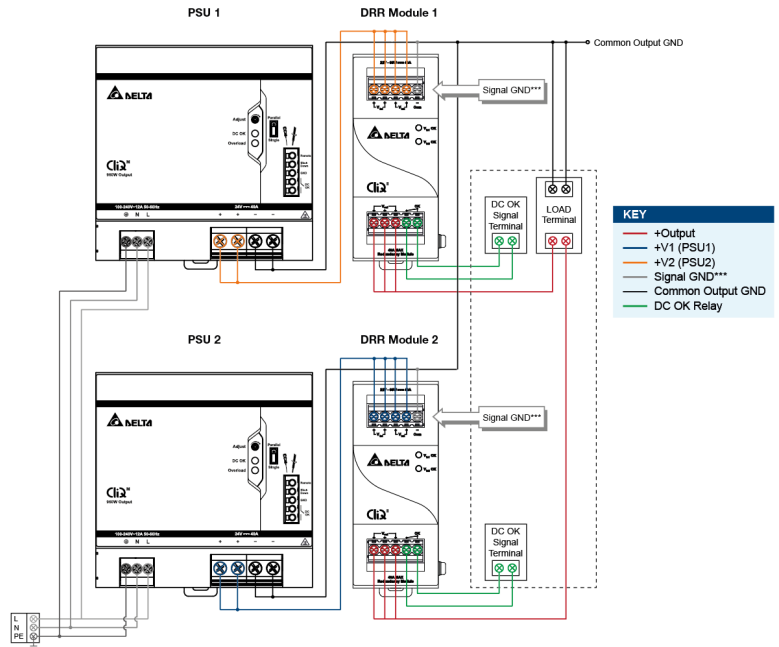
Connect the right DRR module, 40A as per the system requirement to the power supply units. PSU 1 should be connected to DRR Module 1 at  $V_{in 1}$  and  $V_{in 2}$ , and PSU 2 should be connected to DRR Module 2 at  $V_{in 1}$  &  $V_{in 2}$  as shown on the Fig 8.

##### Step 3.

Connect the system load from  $V_{out}$ . Please note that output voltage  $V_{out}$  from DRR module will be =  $V_o$  (output voltage of power supply) -  $V_{drop}^{**}$  (in DRR module).

\* $V_o$  = output voltage at maximum load conditions in parallel mode

\*\* $V_{drop}$  will vary from 0.60V to 0.90V (Typical 0.65V) depending on the load current and surrounding air temperature.



\*\*\*The Signal GND in the DRR module is for the built-in LED and DC OK signals. The Output GND terminals from the two PSU's do not need to be connected to the Signal GND terminal.

Fig. 9 Redundant Operation Connection Diagram

#### ■ Parallel Operation

The power supply units (PSUs) can also be used for parallel operation in order to increase the output power. The output voltage of each power supply shall be adjusted to the same value. In order to set the output voltage, ensure that each power supply is selected in "Parallel Mode" at no load conditions at any line voltage from 85-264Vac, and set the PSU 1 and PSU 2 output voltage to  $V_o^* + 1V (\pm 0.1V)$ .

If more than three units are connected in parallel, a fuse or circuit breaker with a rating of 50A or 63A is required on each output. Alternatively, a diode or DRR Module can also be utilized.

Parameters such as EMI, inrush current, leakage current, PARD, start up time will be different from those on the datasheet, when two units are connected in parallel. The user will need to verify that any differences will still allow the two power supplies connected in parallel will work properly in their product/application.

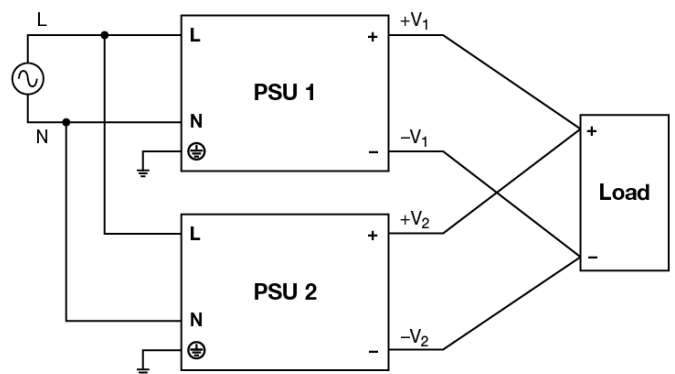


Fig. 10 Parallel Operation Connection Diagram

# CliQ M DIN Rail Power Supply

## 24V 960W 1 Phase / DRM-24V960W1PN

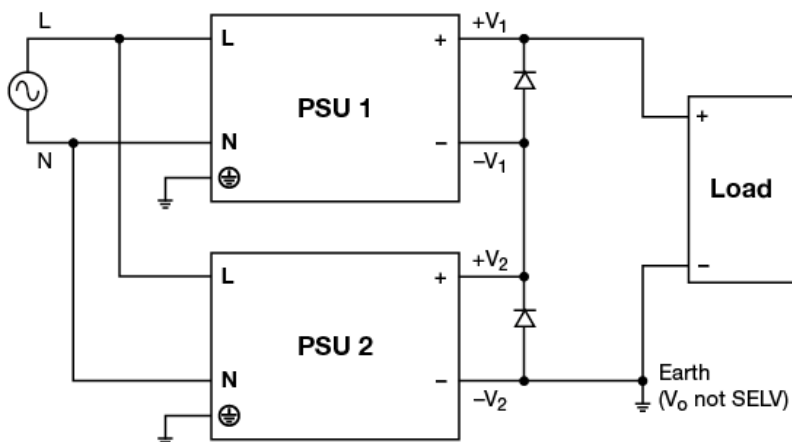
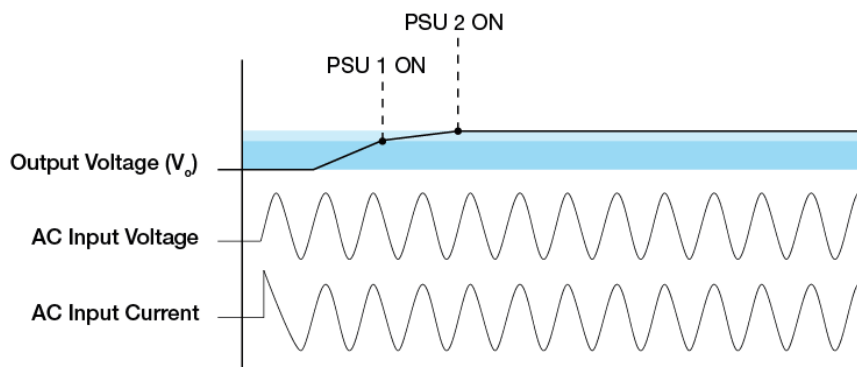


Fig. 11 Series Operation Connection Diagram

### Series Operation

Delta's CliQ M can be connected in series to increase the output voltage as shown in figure above. Only power supply from the same product series, and with the same rated output current, can be used. The maximum load current should not exceed the smallest rated output current. Any number of power supplies can be connected in series. User must note that an output voltage > 60Vdc will not meet SELV requirements and could be dangerous to user, the total voltage shall not exceed 150Vdc. Installation a protection against the touching is a must and connect the output ground to earth when output voltage is not SELV. A diode in reverse bias must be added across output terminals of each power supply, this is to prevent -V voltage being applied to other power supply in fault conditions such as short circuit across load. During the short circuit -V<sub>1</sub> & +V<sub>1</sub> will come across +V<sub>2</sub> & -V<sub>2</sub> which means connecting 2 power supplies in opposite polarity and may cause damage to power supply. With reverse bias diodes in place the voltage across each power supply will be restricted to one diode drop – approximately 0.7V to 1.0V. It is recommended to provide sufficient voltage de-rating for diodes with 2 times the voltage rating of series output voltage. E.g. the two 24V power supplies are connected in series, the total voltage is 48 volts. Hence, recommended to use diodes with reverse voltage rating of 2x48=96 volts. Therefore diodes with reverse voltage rating of 100 volts can be used.

During the short circuit condition, the current through diodes will be large, hence it is recommended that diodes to be least twice the current rating of the power supply.



The turn ON would be non-monotonic as the power supply with the fastest startup time and rise time will turn on first. As a result, the combined output voltage waveform of the 2 power supplies connected in series will include a step.

User must consider to verify parameters such as EMI, inrush current, leakage current, PARD, start up time would differ from datasheet numbers as multiple power supplies in series.

# CliQ M DIN Rail Power Supply

## 24V 960W 1 Phase / DRM-24V960W1PN

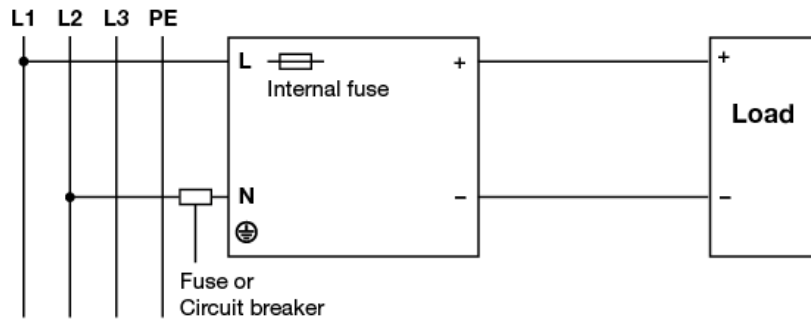


Fig. 12 2 of 3 Phase System Input Operation Connection Diagram

### ■ 2 of 3 Phase System Input Operation

Delta's CliQ M can use on 2 of 3 phase system. Please refer to the following step.

#### Step 1.

The input voltage applied from Line to Neutral is below the maximum rated input. The input voltage shall be below 240Vac +10%.

#### Step 2.

The external protector is needed on N (Neutral) input line to secure a safety. N line does not have internal fuse protection. An appropriate fuse or circuit breaker should be connected in series with N input line connection like the following.

# CliQ M DIN Rail Power Supply

## 24V 960W 1 Phase / DRM-24V960W1PN

### Others

#### Delta RoHS Compliant

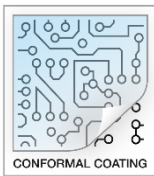


#### Restriction of the usage of hazardous substances

The European directive 2011/65/EU limits the maximum impurity level of homogeneous materials such as lead, mercury, cadmium, chrome, polybrominated flame retardants PBB and PBDE for the use in electrical and electronic equipment. RoHS is the abbreviation for “Restriction of the use of certain hazardous substances in electrical and electronic equipment”.

This product conforms to this standard.

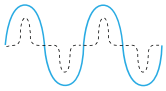
#### Conformal Coating



#### The Protective Coating Technology

Delta Electronics Group has designed the perfect dipping technique which penetrates everywhere including under device, and prevents leakage. The conformal coating dipping can be applied to PCBAs or circuit board. The coating preserves the performance of precision electronic primarily by preventing ionizable contaminants such as salt from reaching circuit nodes, where the material slumps around sharp edges. This can be a problem especially in highly conversing atmosphere.

#### PFC – Norm EN 61000-3-2



#### Line Current Harmonic content

Typically, the input current waveform is not sinusoidal due to the periodic peak charging of the input capacitor. In industrial environments, compliance with EN 61000-3-2 is only necessary under special conditions. Complying to this standard can have some technical drawbacks, such as lower efficiency; and, can also result in higher product cost. Frequently, the user does not profit from compliance to this standard; therefore, it is important to know whether it is mandatory to meet this standard for a specific application.

#### Attention

Delta provides all information in the datasheets on an “AS IS” basis and does not offer any kind of warranty through the information for using the product. In the event of any discrepancy between the information in the catalog and datasheets, the datasheets shall prevail (please refer to [www.DeltaPSU.com](http://www.DeltaPSU.com) for the latest datasheets information). Delta shall have no liability of indemnification for any claim or action arising from any error for the provided information in the datasheets. Customer shall take its responsibility for evaluation of using the product before placing an order with Delta.

Delta reserves the right to make changes to the information described in the datasheets without notice.



Компания «ЭлектроПласт» предлагает заключение долгосрочных отношений при поставках импортных электронных компонентов на взаимовыгодных условиях!

Наши преимущества:

- Оперативные поставки широкого спектра электронных компонентов отечественного и импортного производства напрямую от производителей и с крупнейших мировых складов;
- Поставка более 17-ти миллионов наименований электронных компонентов;
- Поставка сложных, дефицитных, либо снятых с производства позиций;
- Оперативные сроки поставки под заказ (от 5 рабочих дней);
- Экспресс доставка в любую точку России;
- Техническая поддержка проекта, помощь в подборе аналогов, поставка прототипов;
- Система менеджмента качества сертифицирована по Международному стандарту ISO 9001;
- Лицензия ФСБ на осуществление работ с использованием сведений, составляющих государственную тайну;
- Поставка специализированных компонентов (Xilinx, Altera, Analog Devices, Intersil, Interpoint, Microsemi, Aeroflex, Peregrine, Syfer, Eurofarad, Texas Instrument, Miteq, Cobham, E2V, MA-COM, Hittite, Mini-Circuits, General Dynamics и др.);

Помимо этого, одним из направлений компании «ЭлектроПласт» является направление «Источники питания». Мы предлагаем Вам помощь Конструкторского отдела:

- Подбор оптимального решения, техническое обоснование при выборе компонента;
- Подбор аналогов;
- Консультации по применению компонента;
- Поставка образцов и прототипов;
- Техническая поддержка проекта;
- Защита от снятия компонента с производства.



#### Как с нами связаться

**Телефон:** 8 (812) 309 58 32 (многоканальный)

**Факс:** 8 (812) 320-02-42

**Электронная почта:** [org@eplast1.ru](mailto:org@eplast1.ru)

**Адрес:** 198099, г. Санкт-Петербург, ул. Калинина, дом 2, корпус 4, литера А.