

EVALUATION KIT
AVAILABLE

Interleaved High-Efficiency, Dual Power-Supply Controllers for Notebook Computers

General Description

The MAX8716/MAX8717/MAX8756/MAX8757 are dual, step-down, interleaved, fixed-frequency, switch-mode power-supply (SMPS) controllers with synchronous rectification. The MAX8716/MAX8717/MAX8756/MAX8757 are intended for main (5V/3.3V) power generation, while the MAX8756 is optimized for I/O power rails in battery-powered systems.

Fixed-frequency operation with optimal interleaving minimizes input ripple current from the lowest input voltages up to the 26V maximum input. Optimal 40/60 interleaving allows the input voltage to go down to 8.3V before duty-cycle overlap occurs in 5V/3.3V applications, compared to 180° out-of-phase regulators where the duty-cycle overlap occurs when the input drops below 10V.

Accurate output current limit is achieved using a sense resistor. Alternatively, power dissipation can be reduced using lossless inductor current sensing. Independent ON/OFF controls and power-good signals allow flexible power sequencing. Soft-start reduces inrush current, while soft-stop gradually ramps the output voltage down preventing negative voltage dips.

A low-noise mode maintains high light-load efficiency while keeping the switching frequency out of the audible range.

The MAX8716 is available in a 24-pin thin QFN package, and the MAX8717/MAX8756/MAX8757 are available in a 28-pin thin QFN package.

Applications

2 to 4 Li+ Cell Battery-Powered Devices
Notebook and Subnotebook Computers
PDAs and Mobile Communicators
Main or I/O Power Supplies

Dual Mode is a trademark of Maxim Integrated Products, Inc.

Features

- ◆ Fixed Switching Frequency
200kHz, 300kHz, or 500kHz
250kHz, 300kHz, or 400kHz (MAX8756 Only)
- ◆ No Current-Sense Resistor Required
- ◆ 40/60 Optimal Interleaving
- ◆ Reduced Input-Capacitor Requirement
- ◆ Output Voltage Fixed or Adjustable Outputs (Dual Mode™)
3.3V/5V Fixed or 1V to 5.5V Adjustable
1.5V/1.8V Fixed or 1V to 2.3V Adjustable (MAX8756 Only)
- ◆ 4V to 26V Input Range
- ◆ Independently Selectable PWM, Skip, and Low-Noise Mode Operation
- ◆ Soft-Start and Soft-Stop
- ◆ 2V Precision Reference with 0.75% Accuracy
- ◆ Independent Power-Good Outputs

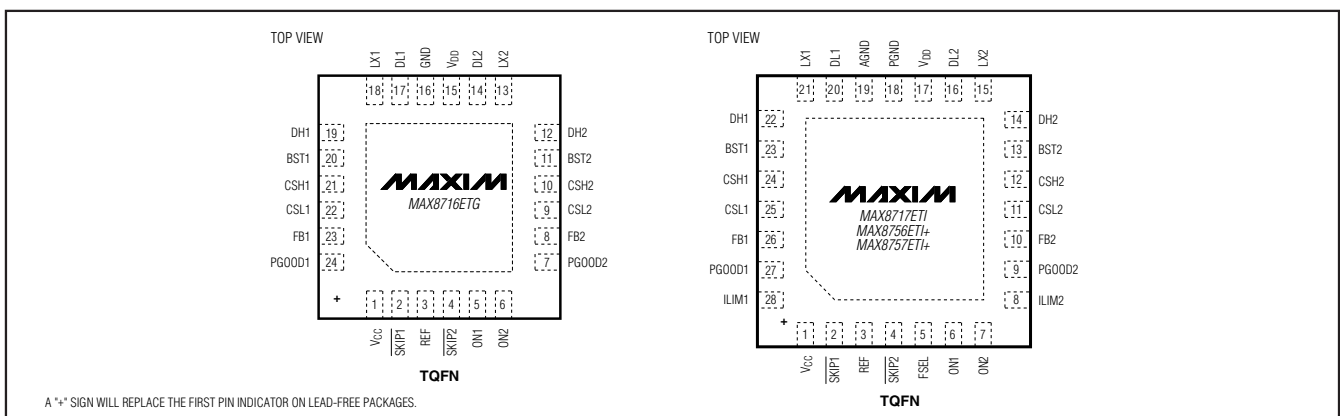
Ordering Information

PART	TEMP RANGE	PIN-PACKAGE	PKG CODE
MAX8716ETG	-40°C to +85°C	24 Thin QFN 4mm x 4mm	T2444-4
MAX8716ETG+	-40°C to +85°C	24 Thin QFN 4mm x 4mm	T2444-4
MAX8717ETI	-40°C to +85°C	28 Thin QFN 5mm x 5mm	T2855-6

+ Denotes a lead-free package.

Ordering Information continued at end of data sheet.

Pin Configurations



Interleaved High-Efficiency, Dual Power-Supply Controllers for Notebook Computers

ABSOLUTE MAXIMUM RATINGS (Note 1)

V _{DD} , V _{CC} , CSL1, CSH1, CSL2, CSH2 to AGND-0.3V to +6V
ON1, ON2, SKIP1, SKIP2, PGOOD1, PGOOD2 to AGND-0.3V to +6V
FB1, FB2, ILIM1, ILIM2, FSEL to AGND-0.3V to +6V
REF to AGND-0.3V to (V _{CC} + 0.3V)
BST1, BST2 to AGND-0.3V to +36V
LX1 to BST1-6V to +0.3V
LX2 to BST2-6V to +0.3V
DH1 to LX1-0.3V to (V _{BST1} + 0.3V)
DH2 to LX2-0.3V to (V _{BST2} + 0.3V)
DL1, DL2 to PGND-0.3V to (V _{DD} + 0.3V)
AGND to PGND-0.3V to +0.3V

REF Short Circuit to AGNDContinuous
REF Current+10mA
Continuous Power Dissipation (T _A = +70°C)	
24-Pin Thin QFN 4mm x 4mm (derate 20.8mW/°C above +70°C)1666.7mW
28-Pin Thin QFN 5mm x 5mm (derate 21.3mW/°C above +70°C)1702.1mW
Operating Temperature Range-40°C to +85°C
Junction Temperature+150°C
Storage Temperature Range-65°C to +150°C
Lead Temperature (soldering, 10s)+300°C

Note 1: For the 24-pin TQFN version, AGND and PGND refer to a single pin designated GND.

Stresses beyond those listed under "Absolute Maximum Ratings" may cause permanent damage to the device. These are stress ratings only, and functional operation of the device at these or any other conditions beyond those indicated in the operational sections of the specifications is not implied. Exposure to absolute maximum rating conditions for extended periods may affect device reliability.

ELECTRICAL CHARACTERISTICS

(Circuit of Figure 1, V_{IN} = 12V, FSEL = REF, SKIP₋ = 0, V_{ON-} = V_{ILIM-} = V_{CC} = V_{DD} = 5V, T_A = 0°C to +85°C, unless otherwise noted. Typical values are at T_A = +25°C.)

PARAMETER	SYMBOL	CONDITIONS		MIN	TYP	MAX	UNITS
INPUT SUPPLIES							
Input Voltage Range	V _{IN}					26	V
	V _{BIAS}	V _{CC} , V _{DD}		4.5		5.5	
V _{CC} Undervoltage-Lockout Threshold	V _{UVLO}	200mV typical hysteresis	V _{CC} rising	3.9	4.15	4.4	V
			V _{CC} falling	3.7	3.95	4.2	
Quiescent Supply Current (V _{CC})	I _{CC}	CSL ₋ and FB ₋ forced above their regulation points	MAX8716, MAX8717, MAX8757		0.8	1.3	mA
			MAX8756		1	1.8	
Quiescent Supply Current (V _{DD})	I _{DD}	CSL ₋ and FB ₋ forced above their regulation points		< 1		5	μA
Shutdown Supply Current (V _{CC})		ON1 = ON2 = GND		< 1		5	μA
Shutdown Supply Current (V _{DD})		ON1 = ON2 = GND		< 1		5	μA
MAIN SMPS CONTROLLERS							
PWM1 Output Voltage in Fixed Mode	V _{OUT1}	V _{IN} = 6V to 26V, SKIP1 = V _{CC} , zero to full load	MAX8716, MAX8717, MAX8757	3.265	3.30	3.365	V
			MAX8756	1.484	1.50	1.530	
PWM2 Output Voltage in Fixed Mode	V _{OUT2}	V _{IN} = 6V to 26V, SKIP2 = V _{CC} , zero to full load	MAX8716, MAX8717, MAX8757	4.94	5.00	5.09	V
			MAX8756	1.778	1.800	1.832	
Feedback Voltage in Adjustable Mode (Note 2)	V _{FB-}	V _{IN} = 6V to 26V, FB1 or FB2, duty factor = 20% to 80%		0.990	1.005	1.020	V
			V _{IN} = 6V to 26V, FB1 or FB2, duty factor = 50%		0.995	1.005	
Output-Voltage-Adjust Range		Either SMPS	MAX8716, MAX8717, MAX8757			5.5	V
			MAX8756			2.3	

Interleaved High-Efficiency, Dual Power-Supply Controllers for Notebook Computers

MAX8716/MAX8717/MAX8756/MAX8757

ELECTRICAL CHARACTERISTICS (continued)

(Circuit of Figure 1, $V_{IN} = 12V$, $FSEL = REF$, $\overline{SKIP}_- = 0$, $V_{ON}_- = V_{ILIM}_- = V_{CC} = V_{DD} = 5V$, $T_A = 0^\circ C$ to $+85^\circ C$, unless otherwise noted. Typical values are at $T_A = +25^\circ C$.)

PARAMETER	SYMBOL	CONDITIONS	MIN	TYP	MAX	UNITS		
FB1, FB2 Fixed-Mode Threshold Voltage		Dual Mode comparator	1.9		2.1	V		
Feedback Input Leakage Current		FB1 = 1.1V, FB2 = 1.1V	-0.1		+0.1	μA		
DC Load Regulation		Either SMPS, $\overline{SKIP}_- = V_{CC}$, zero to full load		-0.1		%		
Line-Regulation Error		Either SMPS, $4V < V_{IN} < 26V$		0.03		%/V		
FB_ Input Bias Current	I_{FB}_-	$V_{FB}_- = 0$ to 5.5V	-0.1		+0.1	μA		
Operating Frequency	f_{OSC}	FSEL = GND	MAX8716, MAX8717, MAX8757		170	200	230	kHz
			MAX8756		215	250	285	
		FSEL = REF (Note 3)			270	300	330	
		FSEL = V_{CC}	MAX8716, MAX8717, MAX8757		425	500	575	
		MAX8756	340	400	460			
Maximum Duty Factor	D_{MAX}	FSEL = GND	97.5	99		%		
		FSEL = REF (Note 3)	97.5	99				
		FSEL = V_{CC}	97.5	99				
Minimum On-Time	$t_{ON(MIN)}$	(Note 4)			200	ns		
SMPS1 to SMPS2 Phase Shift		SMPS2 starts after SMPS1		40		%		
				144		Degrees		
Soft-Start Ramp Time	t_{SSTART}	Measured from the rising edge of ON_- to full scale, REF = 2V		2		ms		
Soft-Stop Ramp Time	t_{SSTOP}	Measured from the falling edge of ON_- to full scale		4		ms		
CURRENT LIMIT								
ILIM_ Adjustment Range			0.5		V_{REF}	V		
Current-Limit Threshold (Fixed)	V_{LIMIT}_-	$V_{CSH}_- - V_{CSL}_-$, $ILIM_- = V_{CC}$ (Note 3)	45	50	55	mV		
Current-Limit Threshold (Adjustable)	V_{LIMIT}_-	$V_{CSH}_- - V_{CSL}_-$	$V_{ILIM}_- = 2.00V$	190	200	210	mV	
			$V_{ILIM}_- = 1.00V$	94	100	106		
Current-Limit Threshold (Negative)	V_{NEG}	$V_{CSH}_- - V_{CSL}_-$, $\overline{SKIP}_- = ILIM_- = V_{CC}$ (Note 3)	-67	-60	-53	mV		
		$V_{CSH}_- - V_{CSL}_-$, $\overline{SKIP}_- = V_{CC}$, adjustable mode, percent of current limit		-120		%		
Current-Limit Threshold (Zero Crossing)	V_{ZX}	$V_{CSH}_- - V_{CSL}_-$, $\overline{SKIP}_- = GND$ or REF		3		mV		
Idle Mode™ Threshold	V_{IDLE}	$V_{CSH}_- - V_{CSL}_-$, $\overline{SKIP}_- = GND$	$ILIM_- = V_{CC}$ (Note 3)	6	10	14	mV	
			With respect to current-limit threshold		20		%	

Idle Mode is a trademark of Maxim Integrated Products, Inc.

Interleaved High-Efficiency, Dual Power-Supply Controllers for Notebook Computers

ELECTRICAL CHARACTERISTICS (continued)

(Circuit of Figure 1, $V_{IN} = 12V$, $FSEL = REF$, $\overline{SKIP} = 0$, $V_{ON_} = V_{LIM_} = V_{CC} = V_{DD} = 5V$, $T_A = 0^\circ C$ to $+85^\circ C$, unless otherwise noted. Typical values are at $T_A = +25^\circ C$.)

PARAMETER	SYMBOL	CONDITIONS	MIN	TYP	MAX	UNITS	
Low-Noise-Mode Threshold	V_{IDLE}	$V_{CSH_} - V_{CSL_}$ $\overline{SKIP} = REF$ $ILIM_ = V_{CC}$ (Note 3)	MAX8716, MAX8717, MAX8757	2.5	5	7.5	mV
			MAX8756	1	2.5	4	
		$V_{CSH_} - V_{CSL_}$ $\overline{SKIP} = REF$ with respect to current- limit threshold	MAX8716, MAX8717, MAX8757		10		%
			MAX8756		5		
ILIM_ Leakage Current					0.1	μA	
Reference Load Regulation	ΔV_{REF}	$I_{REF} = 0\mu A$ to $50\mu A$			10	mV	
Reference Sink Current			10			μA	
REF Lockout Voltage	$V_{REF(UVLO)}$	Rising edge, hysteresis = 50mV		1.8		V	
FAULT DETECTION							
Output Overvoltage Trip Threshold		MAX8716/MAX8717/MAX8756 only	11	15	19	%	
Output Overvoltage Fault-Propagation Delay	t_{OVP}	50mV overdrive, MAX8716/MAX8717/MAX8756 only		10		μs	
Output Undervoltage-Protection Trip Threshold		With respect to error-comparator threshold	65	70	75	%	
Output Undervoltage Fault-Propagation Delay	t_{UVP}	50mV overdrive		10		μs	
Output Undervoltage-Protection Blanking Time	t_{BLANK}	From rising edge of $ON_$		6144		$1/f_{OSC}$	
PGOOD_ Lower Trip Threshold		With respect to error-comparator threshold, hysteresis = 1%	-12.5	-10	-8.0	%	
PGOOD_ Propagation Delay	$t_{PGOOD_}$	Falling edge, 50mV overdrive		10		μs	
PGOOD_ Output Low Voltage		$I_{SINK} = 4mA$			0.4	V	
PGOOD_ Leakage Current	$I_{PGOOD_}$	High state, PGOOD_ forced to 5.5V			1	μA	
Thermal-Shutdown Threshold	T_{SHDN}	Hysteresis = 15°C		+160		°C	
GATE DRIVERS							
DH_ Gate-Driver On-Resistance	R_{DH}	$BST_ - LX_$ forced to 5V (Note 5)		1.5	5	Ω	
DL_ Gate-Driver On-Resistance (Note 5)	R_{DL}	DL_, high state		1.7	5	Ω	
		DL_, low state		0.6	3		
DH_ Gate-Driver Source/Sink Current	I_{DH}	DH_ forced to 2.5V, $BST_ - LX_$ forced to 5V		2		A	
DL_ Gate-Driver Source Current	I_{DL} (SOURCE)	DL_ forced to 2.5V		1.7		A	
DL_ Gate-Driver Sink Current	I_{DL} (SINK)	DL_ forced to 2.5V		3.3		A	
Dead Time	t_{DEAD}	DL_ rising		35		ns	
		DH_ rising		26			
LX_, BST_ Leakage Current		$V_{BST_} = V_{LX_} = 26V$		< 2	20	μA	

Interleaved High-Efficiency, Dual Power-Supply Controllers for Notebook Computers

ELECTRICAL CHARACTERISTICS (continued)

(Circuit of Figure 1, $V_{IN} = 12V$, $FSEL = REF$, $\overline{SKIP}_- = 0$, $V_{ON}_- = V_{ILIM}_- = V_{CC} = V_{DD} = 5V$, $T_A = 0^\circ C$ to $+85^\circ C$, unless otherwise noted. Typical values are at $T_A = +25^\circ C$.)

PARAMETER	SYMBOL	CONDITIONS	MIN	TYP	MAX	UNITS
INPUTS AND OUTPUTS						
Logic Input Current		ON1, ON2	-1		+1	μA
ON_ Input Voltage		Rising edge, hysteresis = 225mV	1.2	1.7	2.2	V
Tri-Level Input Logic		\overline{SKIP}_1 , \overline{SKIP}_2 , FSEL, high	$V_{CC} - 0.2$			V
Input Leakage Current		\overline{SKIP}_1 , \overline{SKIP}_2 , FSEL, 0V, or V_{CC}	-3		+3	μA
Input Leakage Current		ILIM1, ILIM2, 0V, or V_{CC}	-0.1		+0.1	μA
Input Leakage Current		CSH_-, 0V, or V_{DD}	-0.1		+0.1	μA
Input Bias Current		CSL_-, 0V, or V_{DD}		25	50	μA

ELECTRICAL CHARACTERISTICS

(Circuit of Figure 1, $V_{IN} = 12V$, $FSEL = REF$, $\overline{SKIP}_- = 0$, $V_{ON}_- = V_{ILIM}_- = V_{CC} = V_{DD} = 5V$, $T_A = -40^\circ C$ to $+85^\circ C$, unless otherwise noted.) (Note 6)

PARAMETER	SYMBOL	CONDITIONS	MIN	TYP	MAX	UNITS
INPUT SUPPLIES						
Input Voltage Range	V_{IN}				26	V
	V_{BIAS}	V_{CC} , V_{DD}	4.5		5.5	
Quiescent Supply Current (V_{CC})	I_{CC}	CSL_ and FB_ forced above their regulation points	MAX8716, MAX8717, MAX8757		1.3	mA
			MAX8756		1.8	
Quiescent Supply Current (V_{DD})	I_{DD}	CSL_ and FB_ forced above their regulation points			5	μA
Shutdown Supply Current (V_{CC})		ON1 = ON2 = GND			5	μA
Shutdown Supply Current (V_{DD})		ON1 = ON2 = GND			5	μA
MAIN SMPS CONTROLLERS						
PWM1 Output Voltage in Fixed Mode	V_{OUT1}	$V_{IN} = 6V$ to $26V$, $\overline{SKIP}_1 = V_{CC}$, zero to full load	MAX8716, MAX8717, MAX8757		3.255	V
			MAX8756		1.480	
PWM2 Output Voltage in Fixed Mode	V_{OUT2}	$V_{IN} = 6V$ to $26V$, $\overline{SKIP}_2 = V_{CC}$, zero to full load	MAX8716, MAX8717, MAX8757		4.925	V
			MAX8756		1.773	
Feedback Voltage in Adjustable Mode	V_{FB_-}	$V_{IN} = 6V$ to $26V$, FB1 or FB2, duty factor = 20% to 80% (Note 1)	0.987		1.023	V
Output Voltage Adjust Range		Either SMPS	MAX8716, MAX8717, MAX8757		1.0	V
			MAX8756		1.0	
FB1, FB2 Fixed-Mode Threshold Voltage		Dual Mode comparator	1.9		2.1	V

MAX8716/MAX8717/MAX8756/MAX8757

Interleaved High-Efficiency, Dual Power-Supply Controllers for Notebook Computers

ELECTRICAL CHARACTERISTICS (continued)

(Circuit of Figure 1, $V_{IN} = 12V$, $FSEL = REF$, $\overline{SKIP}_- = 0$, $V_{ON}_- = V_{ILIM}_- = V_{CC} = V_{DD} = 5V$, $T_A = -40^\circ C$ to $+85^\circ C$, unless otherwise noted.) (Note 6)

PARAMETER	SYMBOL	CONDITIONS		MIN	TYP	MAX	UNITS
Operating Frequency	f _{OSC}	FSEL = GND	MAX8716, MAX8717, MAX8757	170		230	kHz
			MAX8756	215		285	
		FSEL = REF (Note 3)		270		330	
		FSEL = V _{CC}	MAX8716, MAX8717, MAX8757	425		575	
MAX8756	340			460			
Maximum Duty Factor	D _{MAX}	FSEL = GND		97.5		%	
		FSEL = REF (Note 3)		97.5			
		FSEL = V _{CC}		97.5			
Minimum On-Time	t _{ON(MIN)}	(Note 4)				200	ns
CURRENT LIMIT							
ILIM_ Adjustment Range				0.5		V _{REF}	V
Current-Limit Threshold (Fixed)	V _{LIMIT_}	V _{CSH_} - V _{CSL_} , ILIM_ = V _{CC} (Note 3)		44		56	mV
Current-Limit Threshold (Adjustable)	V _{LIMIT_}	V _{CSH_} - V _{CSL_}	V _{ILIM_} = 2.00V	188		212	mV
			V _{ILIM_} = 1.00V	93		107	
REFERENCE (REF)							
Reference Voltage	V _{REF}	V _{CC} = 4.5V to 5.5V, I _{REF} = 0		1.98		2.02	V
FAULT DETECTION							
Output Overvoltage Trip Threshold		MAX8716/MAX8717/MAX8756 only		11		19	%
Output Undervoltage-Protection Trip Threshold		With respect to error-comparator threshold		65		75	%
PGOOD_ Lower Trip Threshold		With respect to error-comparator threshold, hysteresis = 1%		-12.5		-8.0	%
PGOOD_ Output Low Voltage		I _{SINK} = 4mA				0.4	V
GATE DRIVERS							
DH_ Gate-Driver On-Resistance	R _{DH}	BST_ - LX_ forced to 5V (Note 5)				5	Ω
DL_ Gate-Driver On-Resistance (Note 5)	R _{DL}	DL_, high state				5	Ω
		DL_, low state				3	
INPUTS AND OUTPUTS							
ON_ Input Voltage		Rising edge, hysteresis = 225mV		1.2		2.2	V
Tri-Level Input Logic		\overline{SKIP}_1 , \overline{SKIP}_2 , FSEL	High	V _{CC} - 0.2			V
			REF	1.7		2.3	
			GND			0.5	

Note 2: When the inductor is in continuous conduction, the output voltage will have a DC regulation level lower than the error-comparator threshold by 50% of the ripple. In discontinuous conduction, the output voltage will have a DC regulation level higher than the error-comparator threshold by 50% of the ripple.

Note 3: Default setting for the MAX8716.

Note 4: Specifications are guaranteed by design, not production tested.

Note 5: Production testing limitations due to package handling require relaxed maximum on-resistance specifications for the thin QFN package.

Note 6: Specifications from 0°C to -40°C are guaranteed by design, not production tested.

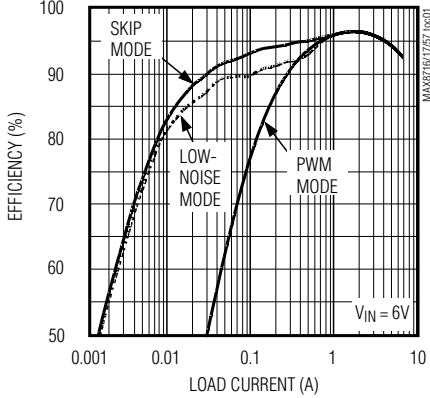
Interleaved High-Efficiency, Dual Power-Supply Controllers for Notebook Computers

Typical Operating Characteristics

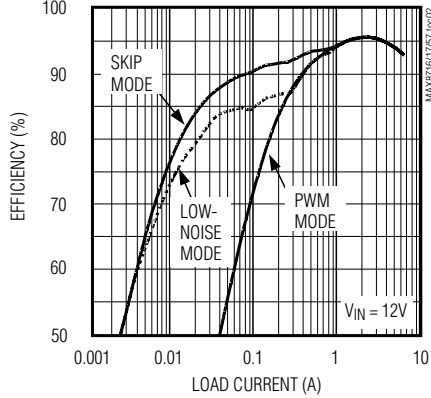
(Circuit of Figure 1, MAX8717, $V_{IN} = 12V$, $V_{DD} = V_{CC} = 5V$, $\overline{SKIP}_- = GND$, $FSEL = REF$, $T_A = +25^\circ C$, unless otherwise noted.)

MAX8716/MAX8717/MAX8756/MAX8757

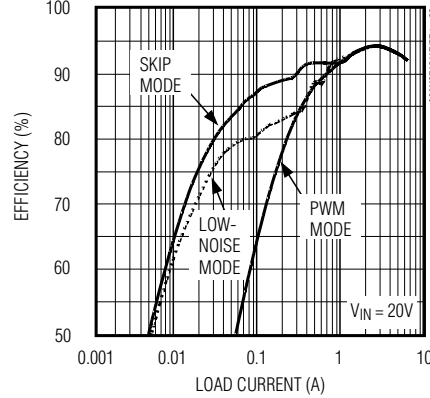
3.3V OUTPUT EFFICIENCY vs. LOAD CURRENT



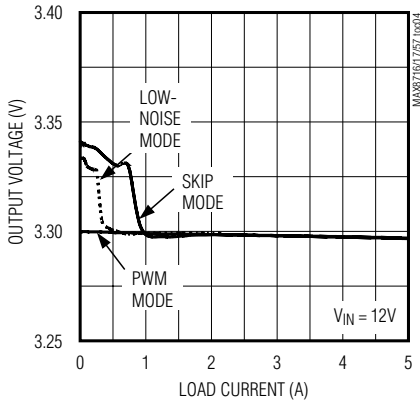
3.3V OUTPUT EFFICIENCY vs. LOAD CURRENT



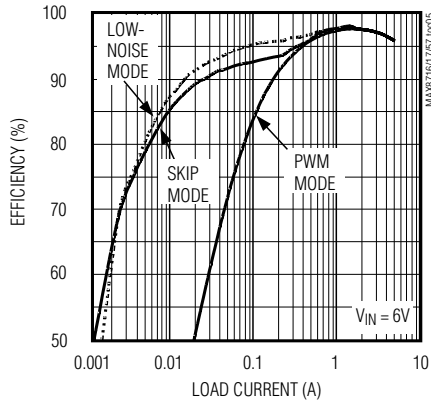
3.3V OUTPUT EFFICIENCY vs. LOAD CURRENT



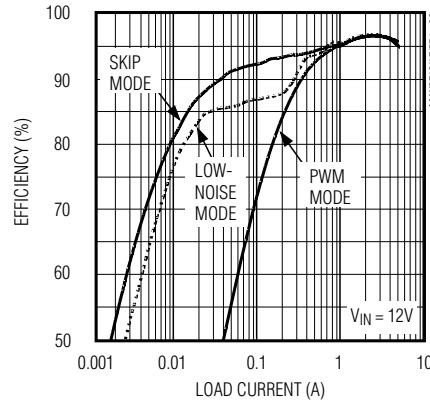
3.3V OUTPUT VOLTAGE vs. LOAD CURRENT



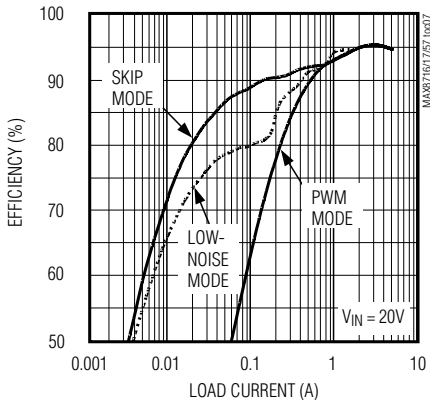
5V OUTPUT EFFICIENCY vs. LOAD CURRENT



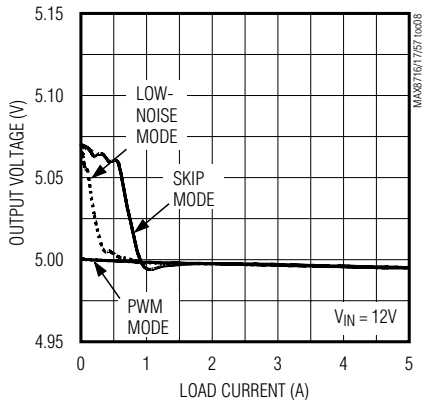
5V OUTPUT EFFICIENCY vs. LOAD CURRENT



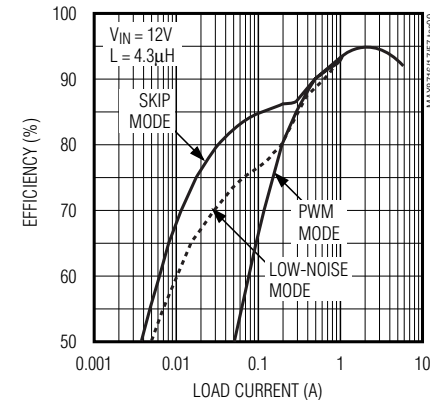
5V OUTPUT EFFICIENCY vs. LOAD CURRENT



5V OUTPUT VOLTAGE vs. LOAD CURRENT



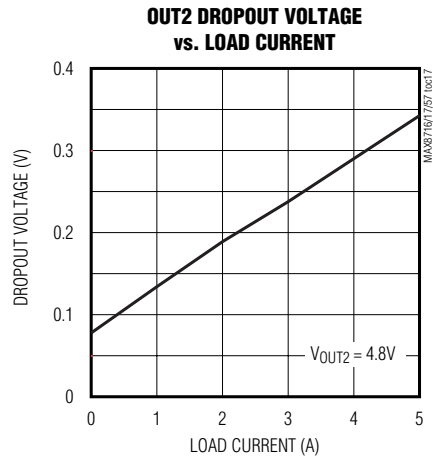
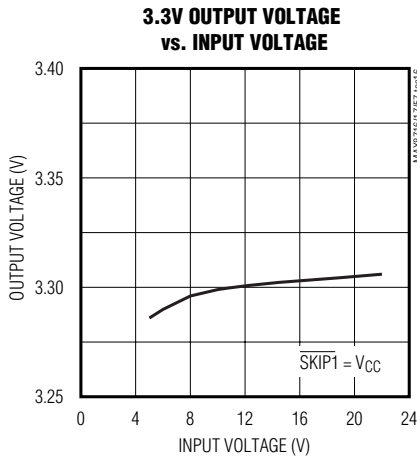
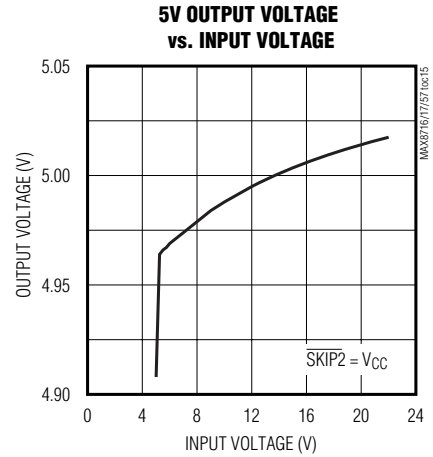
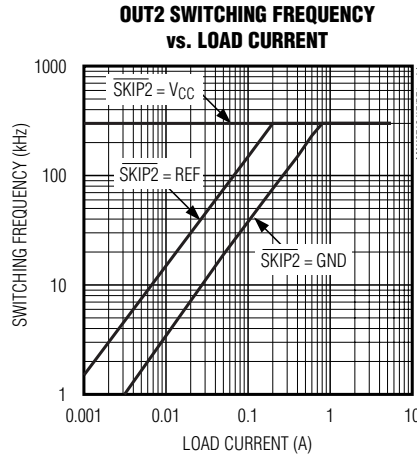
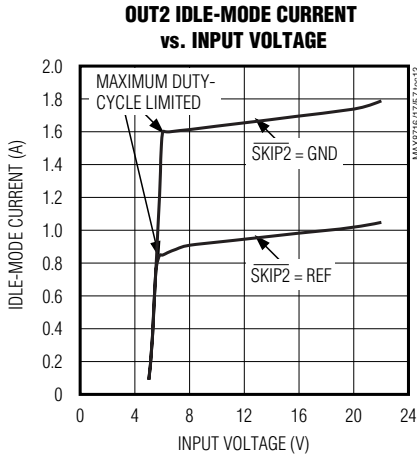
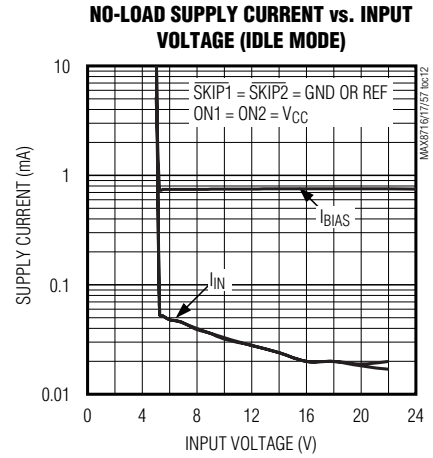
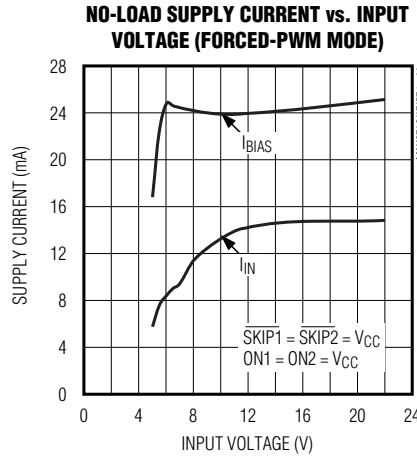
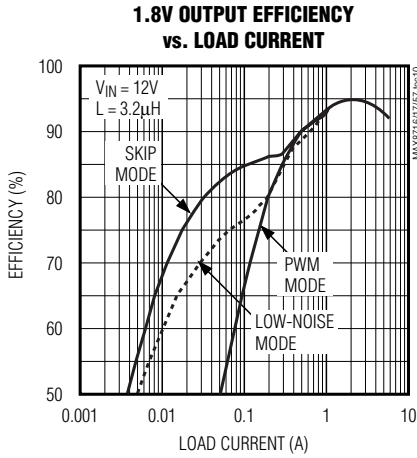
2.5V OUTPUT EFFICIENCY vs. LOAD CURRENT



Interleaved High-Efficiency, Dual Power-Supply Controllers for Notebook Computers

Typical Operating Characteristics (continued)

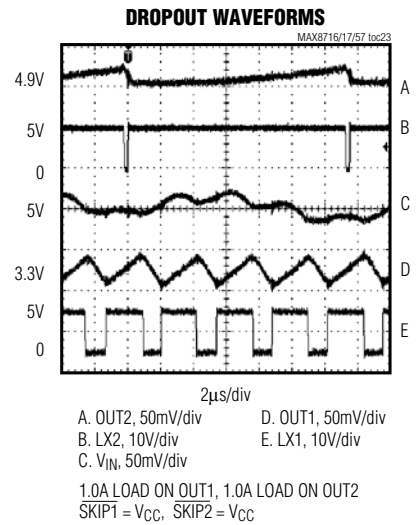
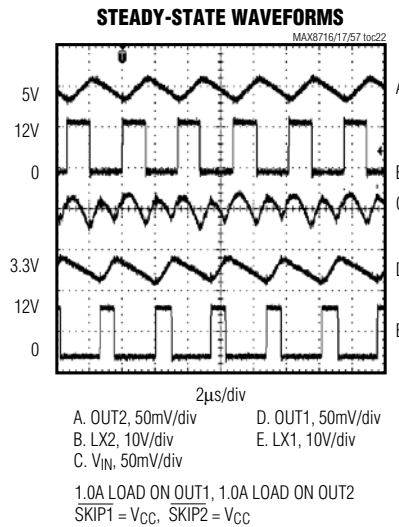
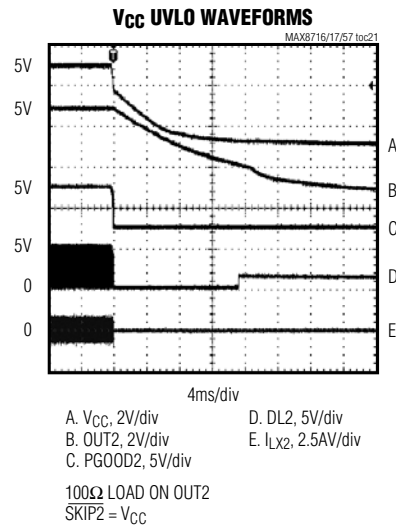
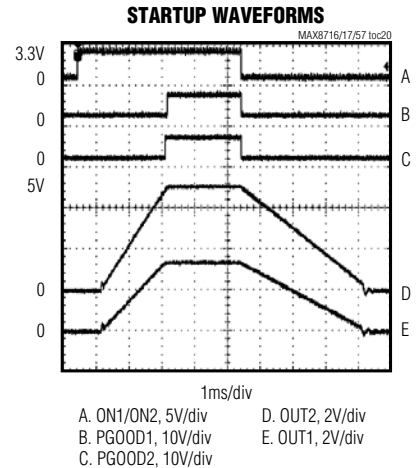
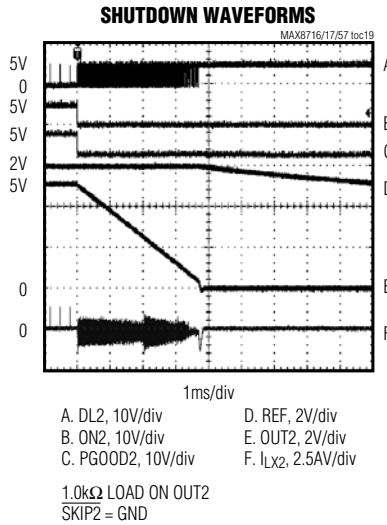
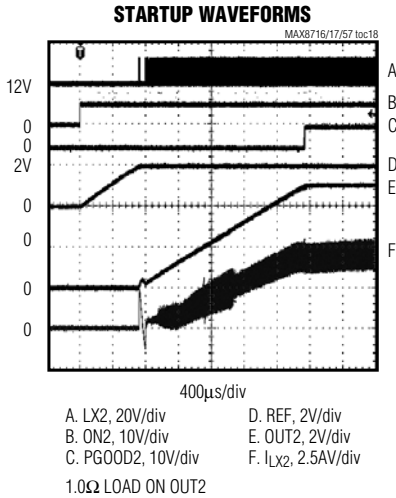
(Circuit of Figure 1, MAX8717, $V_{IN} = 12V$, $V_{DD} = V_{CC} = 5V$, $\overline{SKIP}_- = GND$, $FSEL = REF$, $T_A = +25^\circ C$, unless otherwise noted.)



Interleaved High-Efficiency, Dual Power-Supply Controllers for Notebook Computers

Typical Operating Characteristics (continued)

(Circuit of Figure 1, MAX8717, $V_{IN} = 12V$, $V_{DD} = V_{CC} = 5V$, $\overline{SKIP}_- = GND$, $FSEL = REF$, $T_A = +25^\circ C$, unless otherwise noted.)



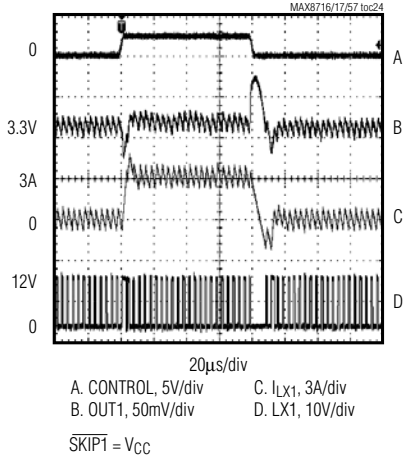
MAX8716/MAX8717/MAX8756/MAX8757

Interleaved High-Efficiency, Dual Power-Supply Controllers for Notebook Computers

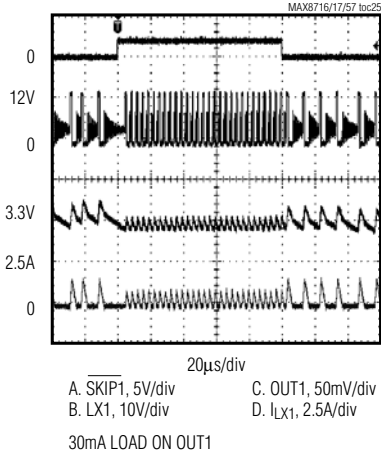
Typical Operating Characteristics (continued)

(Circuit of Figure 1, MAX8717, $V_{IN} = 12V$, $V_{DD} = V_{CC} = 5V$, $\overline{SKIP}_- = GND$, $FSEL = REF$, $T_A = +25^\circ C$, unless otherwise noted.)

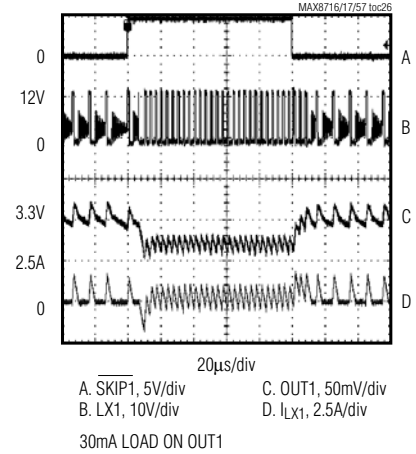
OUT1 LOAD TRANSIENT



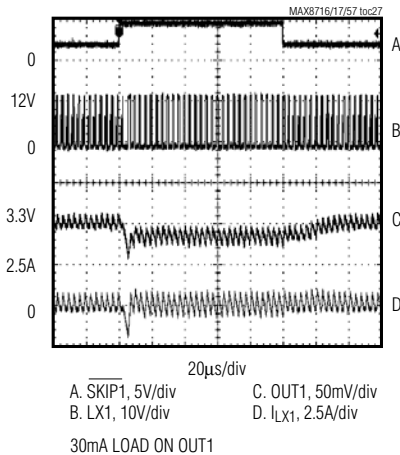
$\overline{SKIP1}$ TRANSITION



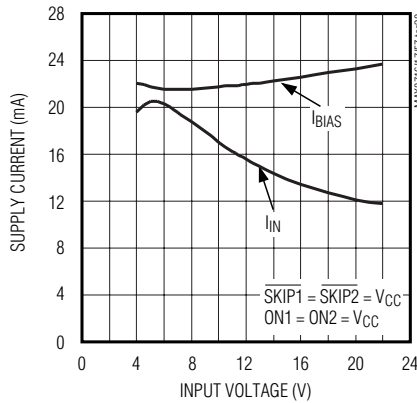
$\overline{SKIP1}$ TRANSITION



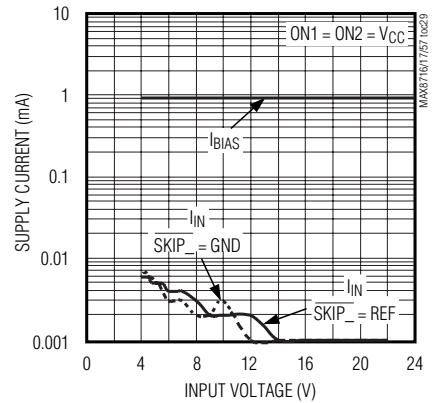
$\overline{SKIP1}$ TRANSITION



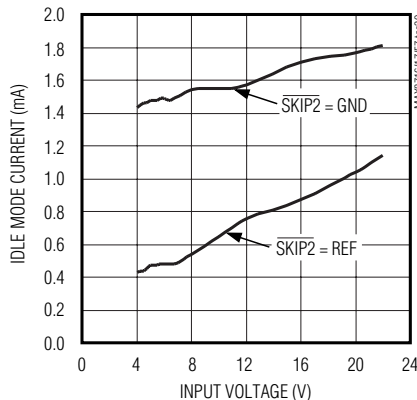
MAX8756 NO-LOAD SUPPLY CURRENT vs. INPUT VOLTAGE (FORCED-PWM MODE)



MAX8756 NO-LOAD SUPPLY CURRENT vs. INPUT VOLTAGE (IDLE MODE)



MAX8756 OUT2 IDLE MODE CURRENT vs. INPUT VOLTAGE



Interleaved High-Efficiency, Dual Power-Supply Controllers for Notebook Computers

Pin Description

PIN		NAME	FUNCTION		
MAX8716	MAX8717/ MAX8756/ MAX8757				
1	1	V _{CC}	Analog Supply Input. Connect to the system supply voltage (+4.5V to +5.5V) through a series 20 Ω resistor. Bypass V _{CC} to AGND with a 1μF or greater ceramic capacitor.		
2	2	$\overline{\text{SKIP1}}$	Low-Noise Mode Control for SMPS1. Connect $\overline{\text{SKIP1}}$ to GND for normal Idle Mode (pulse-skipping) operation or to V _{CC} for PWM mode (fixed frequency). Connect to REF for low-noise mode.		
3	3	REF	2.0V Reference Voltage Output. Bypass REF to AGND with a 0.1μF or greater ceramic capacitor. The reference can source up to 50μA. Loading REF degrades output voltage accuracy according to the REF load-regulation error (see the <i>Typical Operating Characteristics</i>). The reference shuts down when both ON1 and ON2 are low.		
4	4	$\overline{\text{SKIP2}}$	Low-Noise Mode Control for SMPS2. Connect $\overline{\text{SKIP2}}$ to GND for normal Idle Mode (pulse-skipping) operation or to V _{CC} for PWM mode (fixed frequency). Connect to REF for low-noise mode.		
—	5	FSEL	Frequency Select Input. This four-level logic input sets the controller's switching frequency.		
			FSEL	MAX8717/MAX8757 (kHz)	MAX8756 (kHz)
			V _{CC}	500	400
			REF	300	300
	GND	200	250		
5	6	ON1	SMPS1 Enable Input. Drive ON1 high to enable SMPS1. Drive ON1 low to shut down SMPS1.		
6	7	ON2	SMPS2 Enable Input. Drive ON2 high to enable SMPS2. Drive ON2 low to shut down SMPS2.		
—	8	ILIM2	SMPS2 Peak Current-Limit Threshold Adjustment. Connect ILIM2 to V _{CC} to enable the default 50mV current-limit threshold. In adjustable mode, the current-limit threshold across CSH2 and CSL2 is precisely 1/10 the voltage seen at ILIM2 over a 500mV to 2.0V range. The logic threshold for switchover to the 50mV default value is approximately V _{CC} - 1V.		
7	9	PGOOD2	SMPS2 Open-Drain Power-Good Output. PGOOD2 is low when SMPS2 is more than 10% below its regulation threshold, during soft-start, and in shutdown.		
8	10	FB2	Feedback Input for SMPS2. Connect FB2 to V _{CC} for fixed 5V output for the MAX8716/MAX8717/MAX8757, or a fixed 1.8V for the MAX8756. In adjustable mode, FB2 regulates to 1V.		
9	11	CSL2	Negative Current-Sense Input for SMPS2. Connect to the negative terminal of the current-sense element. Figure 8 describes two different current-sensing options.		
10	12	CSH2	Positive Current-Sense Input for SMPS2. Connect to the positive terminal of the current-sense element. Figure 8 describes two different current-sensing options.		
11	13	BST2	Boost Flying Capacitor Connection for SMPS2. Connect to an external capacitor and diode as shown in Figure 1. An optional resistor in series with BST2 allows the DH2 turn-on current to be adjusted.		
12	14	DH2	High-Side Gate-Driver Output for SMPS2. DH2 swings from LX2 to BST2.		
13	15	LX2	Inductor Connection for SMPS2. Connect LX2 to the switched side of the inductor. LX2 is the lower supply rail for the DH2 high-side gate driver.		

MAX8716/MAX8717/MAX8756/MAX8757

Interleaved High-Efficiency, Dual Power-Supply Controllers for Notebook Computers

Pin Description (continued)

PIN		NAME	FUNCTION
MAX8716	MAX8717/ MAX8756/ MAX8757		
14	16	DL2	Low-Side Gate-Driver Output for SMPS2. DL2 swings from PGND to V _{DD} .
15	17	V _{DD}	Supply Voltage Input for the DL_ Gate Drivers. Connect to a 5V supply.
16	—	GND	Power and Analog Ground. Connect backside pad to GND.
—	18	PGND	Power Ground
—	19	AGND	Analog Ground. Connect backside pad to AGND.
17	20	DL1	Low-Side Gate-Driver Output for SMPS1. DL1 swings from PGND to V _{DD} .
18	21	LX1	Inductor Connection for SMPS1. Connect LX1 to the switched side of the inductor. LX1 is the lower supply rail for the DH1 high-side gate driver.
19	22	DH1	High-Side Gate-Driver Output for SMPS1. DH1 swings from LX1 to BST1.
20	23	BST1	Boost Flying Capacitor Connection for SMPS1. Connect to an external capacitor and diode as shown in Figure 1. An optional resistor in series with BST1 allows the DH1 turn-on current to be adjusted.
21	24	CSH1	Positive Current-Sense Input for SMPS1. Connect to the positive terminal of the current-sense element. Figure 8 describes two different current-sensing options.
22	25	CSL1	Negative Current-Sense Input for SMPS1. Connect to the negative terminal of the current-sense element. Figure 8 describes two different current-sensing options.
23	26	FB1	Feedback Input for SMPS1. Connect FB1 to V _{CC} for fixed 3.3V output for the MAX8716/MAX8717/MAX8757, or a fixed 1.5V for the MAX8756. In adjustable mode, FB1 regulates to 1V.
24	27	PGOOD1	SMPS1 Open-Drain Power-Good Output. PGOOD1 is low when SMPS1 is more than 10% below its regulation threshold, during soft-start, and in shutdown.
—	28	ILIM1	SMPS1 Peak Current-Limit Threshold Adjustment. Connect ILIM1 to V _{CC} to enable the default 50mV current-limit threshold. In adjustable mode, the current-limit threshold across CSH1 and CSL1 is precisely 1/10 the voltage seen at ILIM1 over a 500mV to 2.0V range. The logic threshold for switchover to the 50mV default value is approximately V _{CC} - 1V.
EP	EP	EP	Exposed Pad. Connect exposed backside pad to analog ground.

Detailed Description

The MAX8716/MAX8717/MAX8756/MAX8757 *Standard Application Circuit* (Figure 1) generates the 5V/5A and 3.3V/5A typical of the main supplies in notebook computers. The input supply range is 6V to 24V. See Table 1 for component selections, while Table 2 lists the component manufacturers.

The MAX8716/MAX8717/MAX8756/MAX8757 contain two interleaved fixed-frequency, step-down controllers designed for low-voltage power supplies. The optimal interleaved architecture guarantees out-of-phase operation, which reduces the input capacitor ripple.

SMPS 5V Bias Supply (V_{CC} and V_{DD})

The MAX8716/MAX8717/MAX8756/MAX8757 switch-mode power supplies (SMPS) require a 5V bias supply in addition to the high-power input supply (battery or AC adapter). V_{DD} is the power rail for the MOSFET gate drive, and V_{CC} is the power rail for the IC. Connect the external 4.5V to 5.5V supply directly to V_{DD} and connect V_{DD} to V_{CC} through an RC filter, as shown in Figure 1. The maximum supply current required is:

$$I_{BIAS} = I_{CC} + f_{SW} (Q_{G(NL1)} + Q_{G1(NH1)} + Q_{G2(NL2)} + Q_{G2(NH2)}) = 1.3mA \text{ to } 40mA$$

where I_{CC} is 1.3mA, f_{SW} is the switching frequency, and Q_{G_} are the MOSFET data sheet's total gate-charge specification limits at V_{GS} = 5V.

Interleaved High-Efficiency, Dual Power-Supply Controllers for Notebook Computers

MAX8716/MAX8717/MAX8756/MAX8757

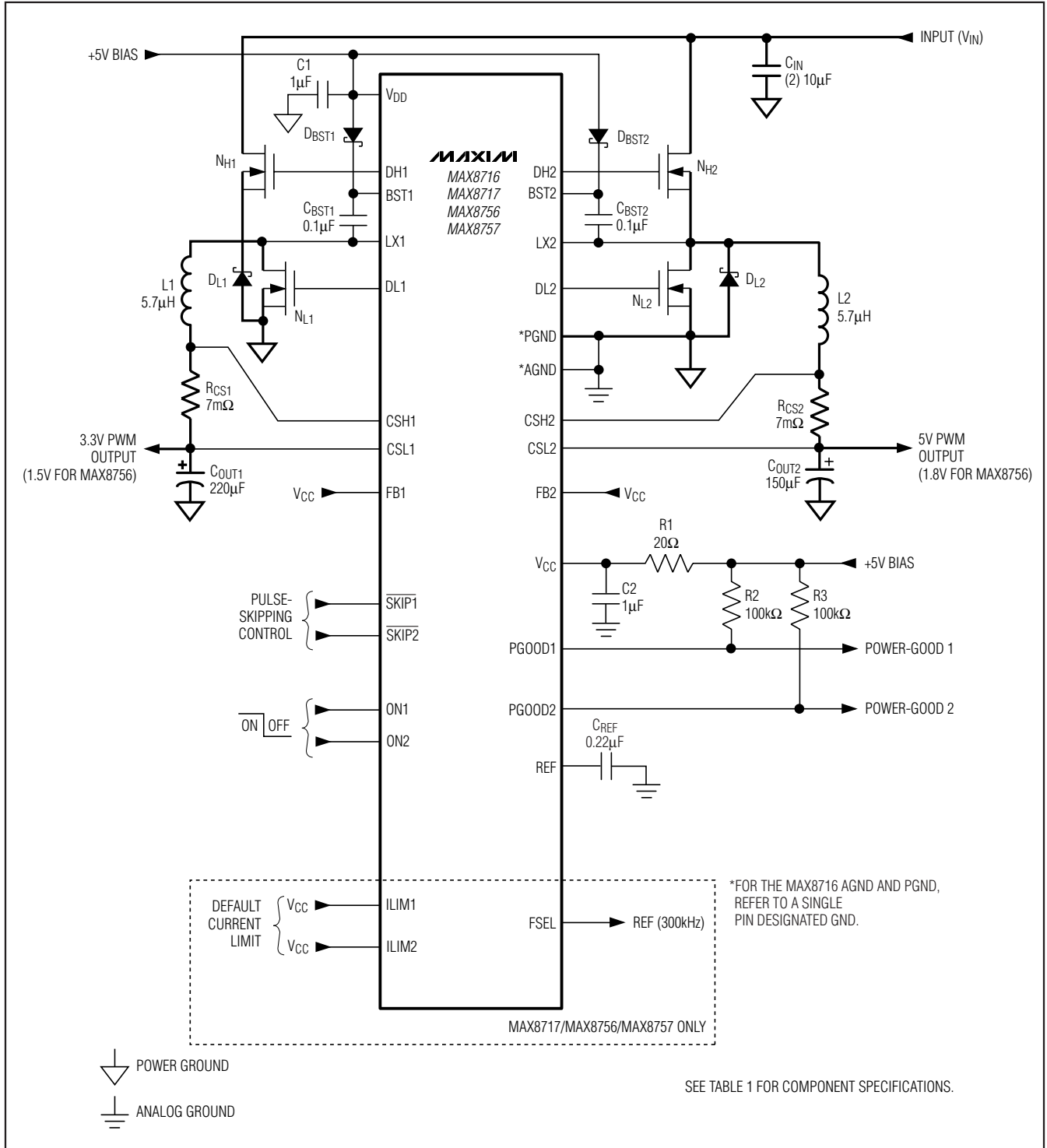


Figure 1. Standard Application Circuit

Interleaved High-Efficiency, Dual Power-Supply Controllers for Notebook Computers

Table 1. Component Selection for Standard Applications

COMPONENT	MAX8716/MAX8717/MAX8757 5V/5A, 3.3V/5A, 300kHz	MAX8716/MAX8717/MAX8757 5V/5A, 3.3V/5A, 500kHz	MAX8756 1.8V/5A, 1.5V/5A, 300kHz
Input Voltage	$V_{IN} = 7V$ to 24V	$V_{IN} = 7V$ to 24V	$V_{IN} = 7V$ to 24V
C_{IN} , Input Capacitor	(2) 10 μ F, 25V Taiyo Yuden TMK432BJ106KM	(2) 10 μ F, 25V Taiyo Yuden TMK432BJ106KM	(2) 10 μ F, 25V Taiyo Yuden TMK432BJ106KM
C_{OUT1} , Output Capacitor	220 μ F, 4V, 25m Ω low-ESR capacitor, SANYO 4TPE220M	150 μ F, 4V, 25m Ω low-ESR capacitor, SANYO 4TPE150M	220 μ F, 4V, 18m Ω low-ESR capacitor, SANYO 4TPE220MIC2
C_{OUT2} , Output Capacitor	150 μ F, 6.3V, 25m Ω low-ESR capacitor, SANYO 6TPE150M	100 μ F, 6.3V, 25m Ω low-ESR capacitor, SANYO 6TPE100M	220 μ F, 4V, 18m Ω low-ESR capacitor, SANYO 4TPE220MIC2
N_H , High-Side MOSFET	Fairchild Semiconductor FDS6612A International Rectifier IRF7807V	Fairchild Semiconductor FDS6612A International Rectifier IRF7807V	Fairchild Semiconductor FDS6612A International Rectifier IRF7807V
N_L , Low-Side MOSFET	Fairchild Semiconductor FDS6670S International Rectifier IRF7807VD1	Fairchild Semiconductor FDS6670S International Rectifier IRF7807VD1	Fairchild Semiconductor FDS6670S International Rectifier IRF7807VD1
D_L , Schottky Rectifier (if needed)	Nihon EC21QS03L 2A, 30V, 0.45V _f	Nihon EC21QS03L 2A, 30V, 0.45V _f	Nihon EC21QS03L 2A, 30V, 0.45V _f
L , Inductor	5.7 μ H Sumida CDEP105-5R7NC	3.9 μ H Sumida CDRH124-3R9NC	3.1 μ H Sumida CDRH125-3R1NC
R_{SENSE}	7m Ω \pm 1% 0.5W resistor IRC LR2010-01-R007F or Dale WSL-2010-R007F	7m Ω \pm 1% 0.5W resistor IRC LR2010-01-R007F or Dale WSL-2010-R007F	7m Ω \pm 1% 0.5W resistor IRC LR2010-01-R007F or Dale WSL-2010-R007F

Table 2. Component Suppliers

SUPPLIER	WEBSITE
AVX	www.avx.com
Central Semiconductor	www.centralsemi.com
Coilcraft	www.coilcraft.com
Coiltronics	www.coiltronics.com
Fairchild Semiconductor	www.fairchildsemi.com
International Rectifier	www.irf.com
KEMET	www.kemet.com
Panasonic	www.panasonic.com/industrial
SANYO	www.secc.co.jp
Sumida	www.sumida.com
Taiyo Yuden	www.t-yuden.com
TDK	www.component.tdk.com
TOKO	www.tokoam.com
Vishay (Dale, Siliconix)	www.vishay.com

Reference (REF)

The 2V reference is accurate to $\pm 1.5\%$ over temperature and load, making REF useful as a precision system reference. Bypass REF to GND with a 0.1 μ F or greater ceramic capacitor. The reference sources up to 50 μ A and sinks 10 μ A to support external loads.

SMPS Detailed Description

Power-on reset (POR) occurs when V_{CC} rises above approximately 2V, resetting the undervoltage, overvoltage, and thermal-shutdown fault latches. The POR circuit also ensures that the low-side drivers are driven high until the SMPS controllers are activated. The V_{CC} input undervoltage-lockout (UVLO) circuitry inhibits switching if V_{CC} is below the V_{CC} UVLO threshold.

An internal soft-start gradually increases the regulation voltage during startup to reduce the input surge currents (see the Startup Waveforms in the *Typical Operating Characteristics*).

Interleaved High-Efficiency, Dual Power-Supply Controllers for Notebook Computers

MAX8716/MAX8717/MAX8756/MAX8757

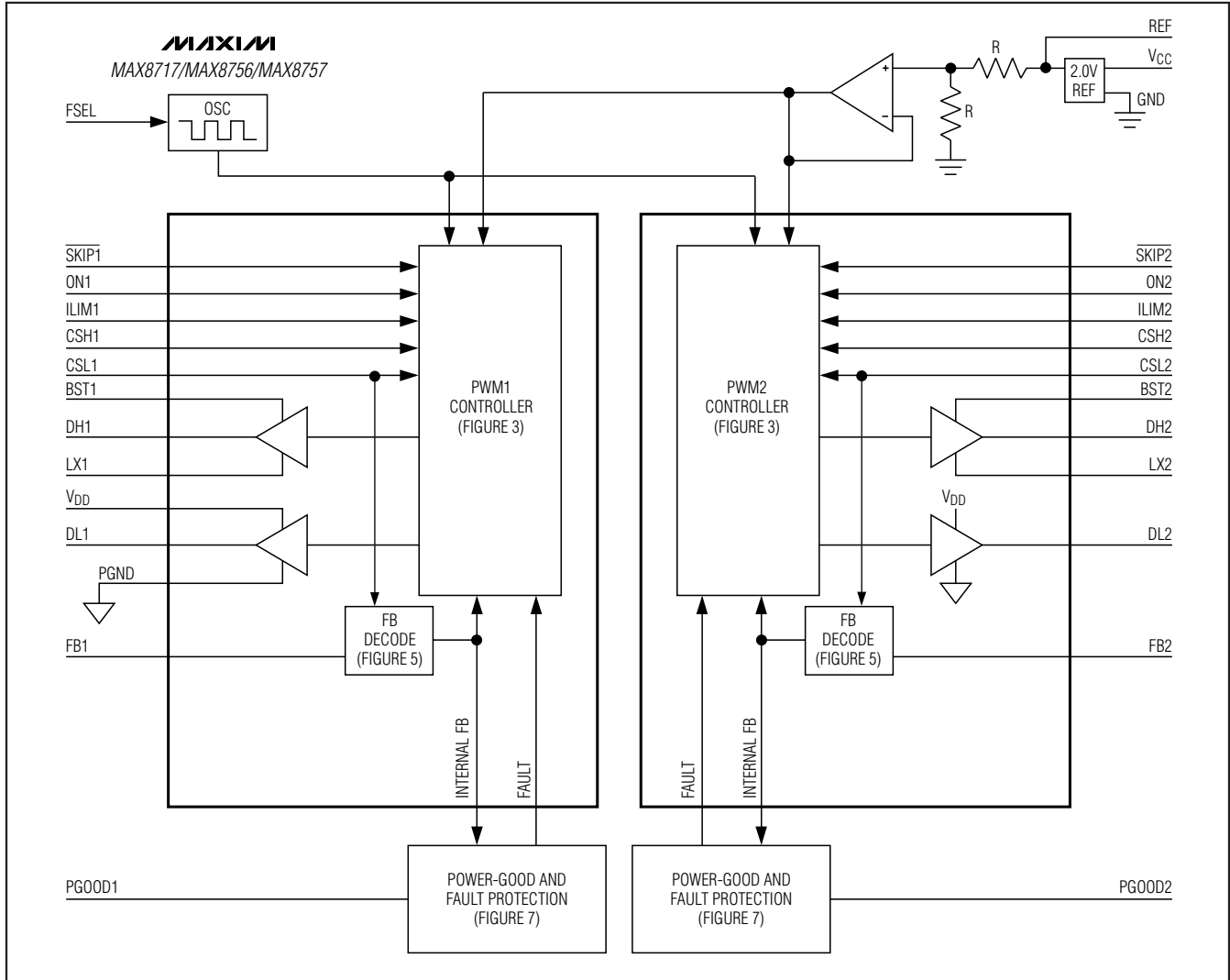


Figure 2. Functional Diagram

SMPS Enable Controls (ON1, ON2)

ON1 and ON2 provide independent control of output soft-start and soft-shutdown. This allows flexible control of startup and shutdown sequencing. The outputs can be started simultaneously, sequentially, or independently. To provide sequential startup, connect ON_ of one regulator to PGOOD_ of the other. For example, with ON1 connected to PGOOD2, OUT1 soft-starts after OUT2 is in regulation. Drive ON_ low to clear the over-voltage, undervoltage, and thermal fault latches.

Soft-Start and Soft-Shutdown

Soft-start begins when ON_ is driven high and REF is in regulation. During soft-start, the output is ramped up

from 0V to the final set voltage in 2ms. This reduces inrush current and provides a predictable ramp-up time for power sequencing.

Soft-shutdown begins after ON_ goes low, an output undervoltage fault occurs, or a thermal fault occurs. The two outputs are independent. A fault at one output does not trigger shutdown of the other. During soft-shutdown the output is ramped down to 0V in 4ms, reducing negative inductor currents that can cause negative voltages on the output. At the end of soft-shutdown, DL_ is driven high until startup is again triggered by a rising edge of ON_. The reference is turned off when both outputs have been shut down.

Interleaved High-Efficiency, Dual Power-Supply Controllers for Notebook Computers

Fixed-Frequency, Current-Mode PWM Controller

The heart of each current-mode PWM controller is a multi-input, open-loop comparator that sums two signals: the output-voltage error signal with respect to the reference voltage and the slope-compensation ramp (Figure 3). The MAX8716/MAX8717/MAX8756/MAX8757 use a direct-summing configuration, approaching ideal cycle-to-cycle control over the output voltage without a traditional error amplifier and the phase shift associated with it. The MAX8716/MAX8717/MAX8756/MAX8757 use a relatively low loop gain, allowing the use of low-cost output capacitors. The low loop gain results in the 0.1% typical load-regulation error and helps reduce the output capacitor size and cost by shifting the unity-gain crossover frequency to a lower level.

Frequency Selection (FSEL)

The FSEL input selects the PWM mode switching frequency. Table 3 shows the switching frequency based on the FSEL connection. High-frequency operation optimizes the application for the smallest component size, trading off efficiency due to higher switching losses. This may be acceptable in ultra-portable devices where the load currents are lower. Low-frequency operation offers the best overall efficiency at the expense of component size and board space.

Forced-PWM Mode

To maintain low ripple fixed-frequency operation, drive SKIP_ high to put the output into forced-PWM mode. This disables the zero-crossing comparator and allows negative inductor current. During forced-PWM mode,

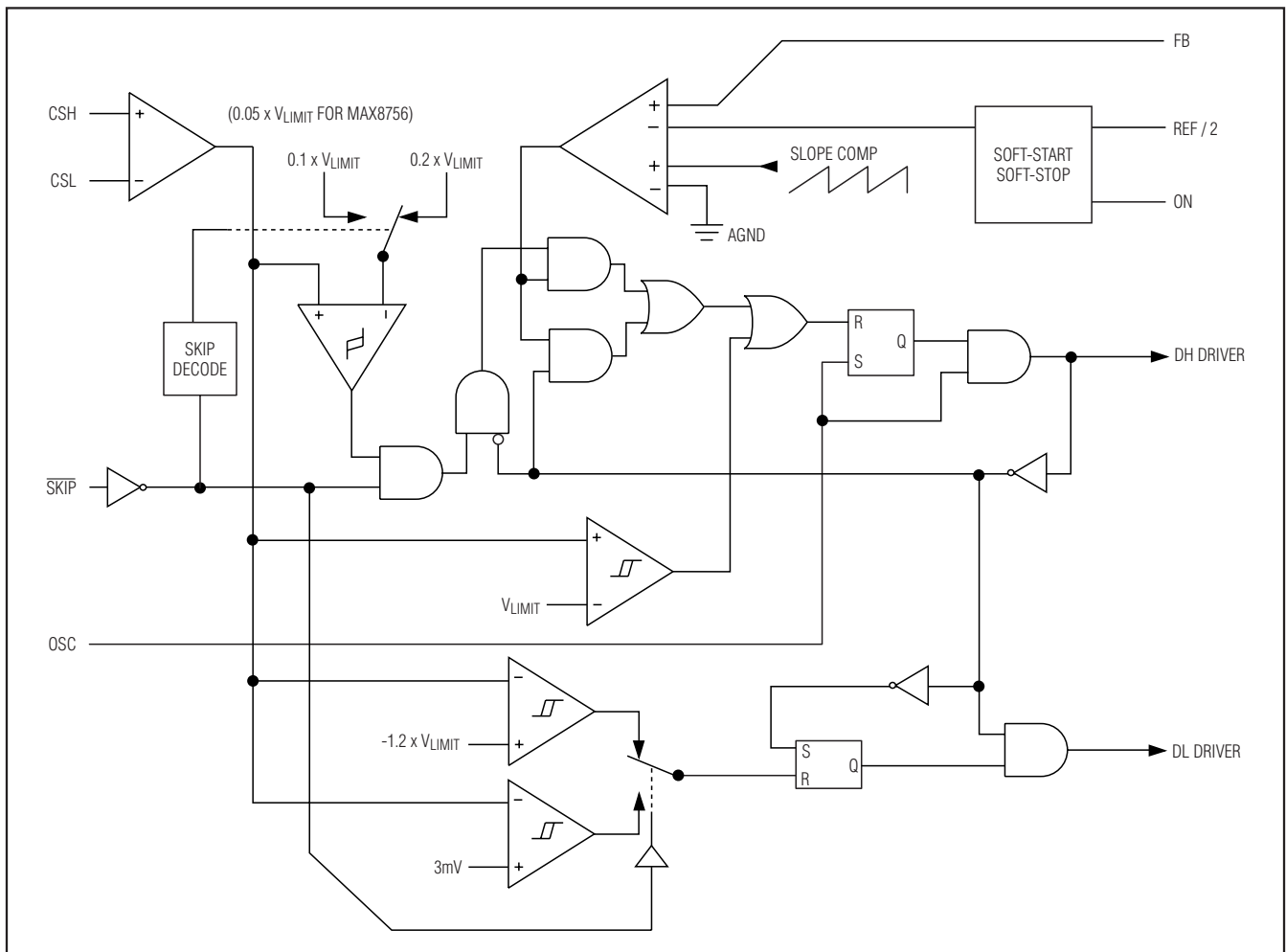


Figure 3. PWM-Controller Functional Diagram

Interleaved High-Efficiency, Dual Power-Supply Controllers for Notebook Computers

the switching frequency remains constant and the no-load supply current is typically between 8mA and 20mA per phase, depending on external MOSFETs and switching frequency.

Light-Load Operation Control (SKIP₋)

The MAX8716/MAX8717/MAX8756/MAX8757 include SKIP₋ inputs that enable the corresponding outputs to operate in discontinuous mode. Connect SKIP₋ to GND or REF as shown in Table 4 to enable or disable the zero-crossing comparators of either controller. When the zero-crossing comparator is enabled, the controller forces DL₋ low when the current-sense inputs detect zero inductor current. This keeps the inductor from discharging the output capacitors and forces the controller to skip pulses under light-load conditions to avoid overcharging the output. During skip mode, the V_{DD} current consumption is reduced and efficiency is improved. During low-noise skip mode, the no-load ripple amplitude is two times smaller and the no-load switching frequency is four times higher, although the light-load efficiency is somewhat lower.

Table 3. FSEL Configuration Table

FSEL	MAX8717/ MAX8757 (kHz)	MAX8756 (kHz)
V _{CC}	500	400
REF	300	300
GND	200	250

Idle Mode Current-Sense Threshold

When pulse-skipping mode is enabled, the on-time of the step-down controller terminates when the output voltage exceeds the feedback threshold and when the current-sense voltage exceeds the Idle Mode current-sense threshold. Under light-load conditions, the on-time duration depends solely on the Idle Mode current-sense threshold (SKIP₋ = GND), which is 20% of the full-load current-limit threshold set by ILIM₋, or the low-noise current-sense threshold (SKIP₋ = REF), which is 10% for the MAX8716/MAX8717/MAX8757 and 5% for the MAX8756 of the full-load current-limit threshold set by ILIM₋. This forces the controller to source a minimum amount of power with each cycle. To avoid overcharging the output, another on-time cannot begin until output voltage drops below the feedback threshold. Since the zero-crossing comparator prevents the switching regulator from sinking current, the controller must skip pulses. Therefore, the controller regulates the valley of the output ripple under light-load conditions.

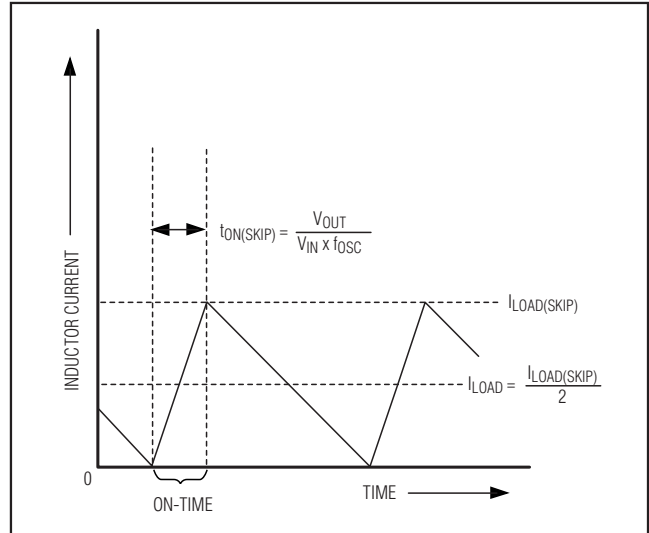


Figure 4. Pulse-Skipping/Discontinuous Crossover Point

Automatic Pulse-Skipping Crossover

In skip mode, an inherent automatic switchover to PFM takes place at light loads (Figure 4). This switchover is affected by a comparator that truncates the low-side switch on-time at the inductor current's zero crossing. The zero-crossing comparator senses the inductor current across CSH₋ and CSL₋. Once V_{CSH} - V_{CSL} drops below the 3mV zero-crossing, current-sense threshold, the comparator forces DL₋ low (Figure 3). This mechanism causes the threshold between pulse-skipping PFM and nonskipping PWM operation to coincide with the boundary between continuous and discontinuous inductor-current operation (also known as the "critical conduction" point). The load-current level at which PFM/PWM crossover occurs, I_{LOAD(SKIP)}, is determined by:

$$I_{LOAD(SKIP)} = \frac{(V_{IN} - V_{OUT})V_{OUT}}{2LV_{IN}f_{OSC}}$$

The switching waveforms may appear noisy and asynchronous when light loading causes pulse-skipping operation, but this is a normal operating condition that results in high light-load efficiency. Trade-offs in PFM noise vs. light-load efficiency are made by varying the inductance. Generally, low inductance produces a broader efficiency vs. load curve, while higher values result in higher full-load efficiency (assuming that the coil resistance remains fixed) and less output voltage ripple. Penalties for using higher inductor values include larger physical size and degraded load-transient response (especially at low input-voltage levels).

Interleaved High-Efficiency, Dual Power-Supply Controllers for Notebook Computers

Output Voltage

DC output accuracy specifications in the *Electrical Characteristics* refer to the error comparator's threshold. When the inductor continuously conducts, the MAX8716/MAX8717/MAX8756/MAX8757 regulate the peak of the output ripple, so the actual DC output voltage is lower than the slope-compensated trip level by 50% of the output ripple voltage. For PWM operation (continuous conduction), the output voltage is accurately defined by the following equation:

$$V_{OUT(PWM)} = V_{NOM} \left(1 - \frac{A_{SLOPE}(V_{IN} - V_{NOM})}{V_{IN}} \right) - \left(\frac{V_{RIPPLE}}{2} \right)$$

where V_{NOM} is the nominal output voltage, A_{SLOPE} equals 1%, and V_{RIPPLE} is the output ripple voltage ($V_{RIPPLE} = R_{ESR} \times \Delta I_{INDUCTOR}$ as described in the *Output Capacitor Selection* section).

In discontinuous conduction ($I_{OUT} < I_{LOAD(SKIP)}$), the MAX8716/MAX8717/MAX8756/MAX8757 regulate the valley of the output ripple, so the output voltage has a DC regulation level higher than the error-comparator threshold. For PFM operation (discontinuous conduction), the output voltage is approximately defined by the following equation:

$$V_{OUT(PFM)} = V_{NOM} + \frac{1}{2} \left(\frac{f_{SW}}{f_{OSC}} \right) I_{IDLE} R_{ESR}$$

where V_{NOM} is the nominal output voltage, f_{OSC} is the maximum switching frequency set by the internal oscillator, f_{SW} is the actual switching frequency, and I_{IDLE} is the Idle Mode inductor current when pulse skipping.

Table 4. SKIP_ Configuration Table

SKIP_	MODE	COMMENTS
VCC	Forced-PWM mode	Fixed-frequency operation. Constant output ripple voltage. Able to source and sink current.
GND	Skip mode	High efficiency at light loads. Source-only applications.
REF	Low-noise skip mode	Good efficiency at light loads. (V_{IDLE} / V_{LN}) times smaller no-load ripple and (V_{IDLE} / V_{LN}) ² times higher frequency compared with skip mode. Source-only applications.

Table 5. Operating Modes Truth Table

MODE	CONDITION	COMMENT
Power-Up	VCC UVLO	DL_ tracks VCC as VCC rises from 0V to +5V. When ON_ is low, DL_ tracks VCC as VCC falls. When ON_ is high, DL_ is forced low as VCC falls below the 3.95V (typ) falling UVLO threshold. DL_ is forced high when VCC falls below 1V (typ).
Run	ON1 or ON2 enabled	Normal operation.
Output Overvoltage Protection (OVP) MAX8716/MAX8717/ MAX8756 Only	Either output > 115% of nominal level	When the overvoltage (OV) comparator trips, the faulted side sets the OV latch, forcing PGOOD_ low and DL_ high. The other controller is not affected. The OV latch is cleared by cycling VCC below 1V or cycling the respective ON_ pin.
Output Undervoltage Protection (UVP)	Either output < 70% of nominal level, UVP is enabled 6144 clock cycles (1/fOSC) after the output is enabled (ON_ going high)	When the undervoltage (UV) comparator trips, the faulted side sets the UV latch, forcing PGOOD_ low and initiating the soft-shutdown sequence by pulsing only DL_. DL_ goes high after soft-shutdown. The other controller is not affected. The UV latch is cleared by cycling VCC below 1V or cycling the respective ON_ pin.
Shutdown	ON1 and ON2 are driven low	DL_ stays high after soft-shutdown is completed. All circuitry is shut down.
Thermal Shutdown	T _J > +160°C	Exited by POR or cycling ON1 and ON2. DL1 and DL2 remain high.

Interleaved High-Efficiency, Dual Power-Supply Controllers for Notebook Computers

MAX8716/MAX8717/MAX8756/MAX8757

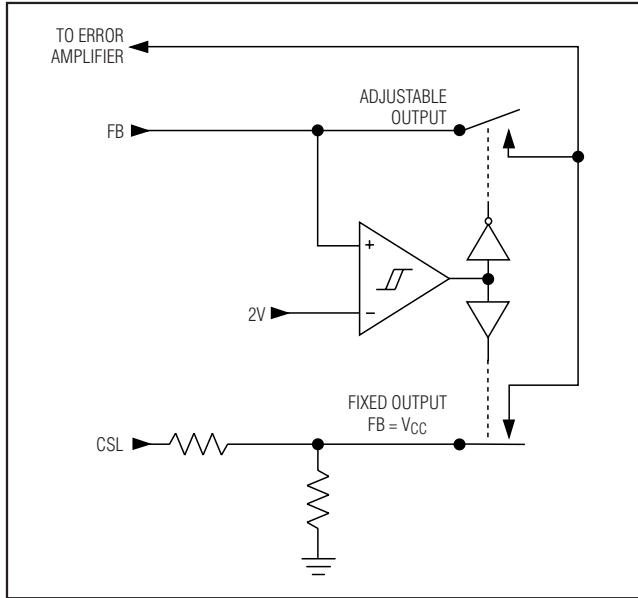


Figure 5. Dual Mode Feedback Decoder

Adjustable/Fixed Output Voltages (Dual-Mode Feedback)

Connect FB1 and FB2 to V_{CC} to enable the fixed SMPS output voltages (3.3V and 5V, respectively, for the MAX8716/MAX8717/MAX8757, and 1.5V and 1.8V for the MAX8756, respectively), set by a preset, internal resistive voltage-divider connected between CSL_{-} and analog ground. See Figure 5. Connect a resistive voltage-divider at FB_{-} between CSL_{-} and GND to adjust the respective output voltage between 1V and 5.5V. Choose R2 (resistance from FB to AGND) to be approximately 10k Ω and solve for R1 (resistance from OUT to FB) using the equation:

$$R1 = R2 \left(\frac{V_{OUT_{-}}}{V_{FB_{-}}} - 1 \right)$$

where $V_{FB_{-}} = 1V$ nominal.

Current-Limit Protection ($ILIM_{-}$)

The current-limit circuit uses differential current-sense inputs (CSH_{-} and CSL_{-}) to limit the peak inductor current. If the magnitude of the current-sense signal exceeds the current-limit threshold, the PWM controller turns off the high-side MOSFET (Figure 3). At the next rising edge of the internal oscillator, the PWM controller does not initiate a new cycle unless the current-sense signal drops below the current-limit threshold. The actual maximum load current is less than the peak current-limit threshold by an amount equal to half of the

inductor ripple current. Therefore, the maximum load capability is a function of the current-sense resistance, inductor value, switching frequency, and duty cycle (V_{OUT} / V_{IN}).

In forced-PWM mode, the MAX8716/MAX8717/MAX8756/MAX8757 also implement a negative current limit to prevent excessive reverse inductor currents when V_{OUT} is sinking current. The negative current-limit threshold is set to approximately -120% of the positive current limit and tracks the positive current limit when $ILIM$ is adjusted.

Connect $ILIM_{-}$ to V_{CC} for the 50mV default threshold, or adjust the current-limit threshold with an external resistor-divider at $ILIM_{-}$. Use a 2 μA to 20 μA divider current for accuracy and noise immunity. The current-limit threshold adjustment range is from 50mV to 200mV. In the adjustable mode, the current-limit threshold voltage equals precisely 1/10 the voltage seen at $ILIM_{-}$. The logic threshold for switchover to the 50mV default value is approximately $V_{CC} - 1V$.

Carefully observe the PCB layout guidelines to ensure that noise and DC errors do not corrupt the differential current-sense signals seen by CSH_{-} and CSL_{-} . Place the IC close to the sense resistor with short, direct traces, making a Kelvin-sense connection to the current-sense resistor.

MOSFET Gate Drivers (DH_{-} , DL_{-})

The DH_{-} and DL_{-} drivers are optimized for driving moderate-sized high-side, and larger low-side power MOSFETs. This is consistent with the low duty factor seen in notebook applications, where a large $V_{IN} - V_{OUT}$ differential exists. The high-side gate drivers (DH_{-}) source and sink 2A, and the low-side gate drivers (DL_{-}) source 1.7A and sink 3.3A. This ensures robust gate drive for high-current applications. The DH_{-} floating high-side MOSFET drivers are powered by diode-capacitor charge pumps at BST_{-} (Figure 6) while the DL_{-} synchronous-rectifier drivers are powered directly by the external 5V supply (V_{DD}).

Adaptive dead-time circuits monitor the DL_{-} and DH_{-} drivers and prevent either FET from turning on until the other is fully off. The adaptive driver dead-time allows operation without shoot-through with a wide range of MOSFETs, minimizing delays and maintaining efficiency. There must be a low-resistance, low-inductance path from the DL_{-} and DH_{-} drivers to the MOSFET gates for the adaptive dead-time circuits to work properly; otherwise, the sense circuitry in the MAX8716/MAX8717/MAX8756/MAX8757 interprets the MOSFET gates as "off" while charge actually remains. Use very short, wide traces (50 mils to 100 mils wide if the MOSFET is 1in from the driver).

Interleaved High-Efficiency, Dual Power-Supply Controllers for Notebook Computers

The internal pulldown transistor that drives DL_ low is robust, with a 0.6Ω (typ) on-resistance. This helps prevent DL_ from being pulled up due to capacitive coupling from the drain to the gate of the low-side MOSFETs when the inductor node (LX_) quickly switches from ground to V_{IN}. Applications with high input voltages and long inductive driver traces may require additional gate-to-source capacitance to ensure fast-rising LX_ edges do not pull up the low-side MOSFETs gate, causing shoot-through currents. The capacitive coupling between LX_ and DL_ created by the MOSFET's gate-to-drain capacitance (C_{RSS}), gate-to-source capacitance (C_{ISS} - C_{RSS}), and additional board parasitics should not exceed the following minimum threshold:

$$V_{GS(TH)} > V_{IN} \left(\frac{C_{RSS}}{C_{ISS}} \right)$$

Variation of the threshold voltage may cause problems in marginal designs. Alternatively, adding a resistor less than 10Ω in series with BST_ may remedy the problem by increasing the turn-on time of the high-side MOSFET without degrading the turn-off time (Figure 6).

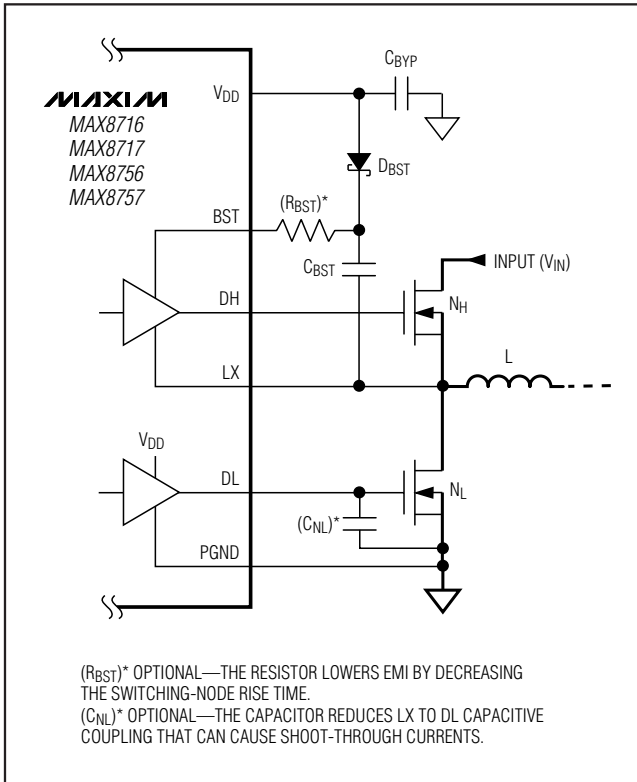


Figure 6. Optional Gate-Driver Circuitry

Power-Good Output (PGOOD_)

PGOOD_ is the open-drain output of a comparator that continuously monitors each SMPS output voltage for overvoltage and undervoltage conditions. PGOOD_ is actively held low in shutdown (ON_ = GND), soft-start, and soft-shutdown. Once the analog soft-start terminates, PGOOD_ becomes high impedance as long as the output is above 90% of the nominal regulation voltage set by FB_. PGOOD_ goes low once the output drops 10% below its nominal regulation point, an output overvoltage fault occurs, or ON_ is pulled low. For a logic-level PGOOD_ output voltage, connect an external pullup resistor between PGOOD_ and +5V or +3.3V. A 100kΩ pullup resistor works well in most applications.

Fault Protection

Output Overvoltage Protection (MAX8716/MAX8717/MAX8756 Only)

If the output voltage of either SMPS rises above 115% of its nominal regulation voltage, the corresponding controller sets its overvoltage fault latch, pulls PGOOD_ low, and forces DL_ high for the corresponding SMPS controller. The other controller is not affected. If the condition that caused the overvoltage persists (such as a shorted high-side MOSFET), the battery fuse will blow. Cycle V_{CC} below 1V or toggle ON_ to clear the overvoltage fault latch and restart the SMPS controller.

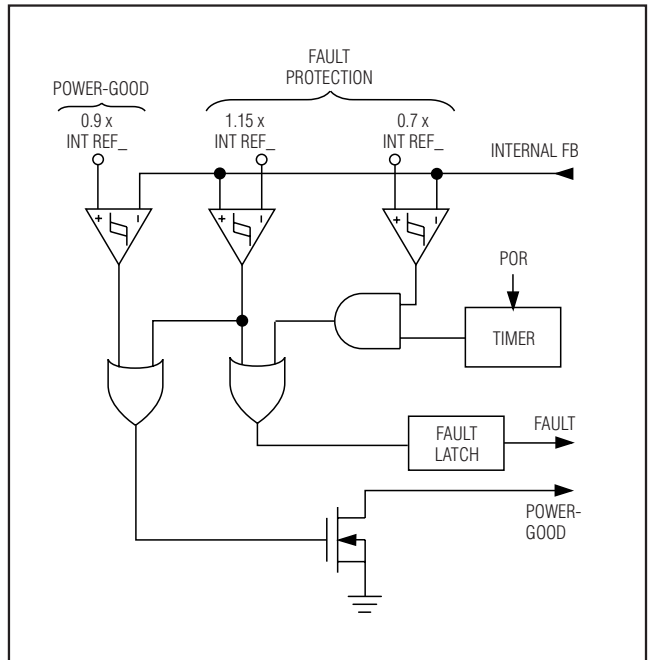


Figure 7. Power-Good and Fault Protection

Interleaved High-Efficiency, Dual Power-Supply Controllers for Notebook Computers

Output Undervoltage Protection

If the output voltage of either SMPS falls below 70% of its regulation voltage, the corresponding controller sets its undervoltage fault latch, pulls PGOOD_ low, and begins soft-shutdown for the corresponding SMPS controller by pulsing DL_. DH_ remains off during the soft-shutdown sequence initiated by an undervoltage fault. The other controller is not affected. After soft-shutdown has completed, the MAX8716/MAX8717/MAX8756/MAX8757 force DL_ high and DH_ low. Cycle V_{CC} below 1V or toggle ON_ to clear the undervoltage fault latch and restart the SMPS controller.

V_{CC} POR and UVLO

Power-on reset (POR) occurs when V_{CC} rises above approximately 2V, resetting the fault latch and preparing the PWM for operation. V_{CC} undervoltage-lockout (UVLO) circuitry inhibits switching, forces PGOOD_ low, and forces the DL_ gate drivers low.

If V_{CC} drops low enough to trip the UVLO comparator while ON_ is high, the MAX8716/MAX8717/MAX8756/MAX8757 immediately force DH_ and DL_ low on both controllers. The output discharges to 0V at a rate dependent on the load and the total output capacitance. This prevents negative output voltages, eliminating the need for a Schottky diode to GND at the output.

Thermal Fault Protection

The MAX8716/MAX8717/MAX8756/MAX8757 feature a thermal fault-protection circuit. When the junction temperature rises above +160°C, a thermal sensor sets the fault latches, pulls PGOOD low, and shuts down both SMPS controllers using the soft-shutdown sequence (see the *Sort-Start and Soft-Shutdown* section). Cycle V_{CC} below 1V or toggle ON1 and ON2 to clear the fault latches and restart the controllers after the junction temperature cools by 15°C.

Design Procedure

Firmly establish the input voltage range and maximum load current before choosing a switching frequency and inductor operating point (ripple-current ratio). The primary design trade-off lies in choosing a good switching frequency and inductor operating point, and the following four factors dictate the rest of the design:

- **Input Voltage Range.** The maximum value (V_{IN(MAX)}) must accommodate the worst-case, high AC-adaptor voltage. The minimum value (V_{IN(MIN)}) must account for the lowest battery voltage after drops due to connectors, fuses, and battery selector switches. If there is a choice at all, lower input voltages result in better efficiency.

- **Maximum Load Current.** There are two values to consider. The peak load current (I_{LOAD(MAX)}) determines the instantaneous component stresses and filtering requirements and thus drives output capacitor selection, inductor saturation rating, and the design of the current-limit circuit. The continuous load current (I_{LOAD}) determines the thermal stresses and thus drives the selection of input capacitors, MOSFETs, and other critical heat-contributing components.
- **Switching Frequency.** This choice determines the basic trade-off between size and efficiency. The optimal frequency is largely a function of maximum input voltage, due to MOSFET switching losses that are proportional to frequency and V_{IN}². The optimum frequency is also a moving target, due to rapid improvements in MOSFET technology that are making higher frequencies more practical.
- **Inductor Operating Point.** This choice provides trade-offs between size vs. efficiency and transient response vs. output ripple. Low inductor values provide better transient response and smaller physical size, but also result in lower efficiency and higher output ripple due to increased ripple currents. The minimum practical inductor value is one that causes the circuit to operate at the edge of critical conduction (where the inductor current just touches zero with every cycle at maximum load). Inductor values lower than this grant no further size-reduction benefit. The optimum operating point is usually found between 20% and 50% ripple current. When pulse-skipping (SKIP low and light loads), the inductor value also determines the load-current value at which PFM/PWM switchover occurs.

Inductor Selection

The switching frequency and inductor operating point determine the inductor value as follows:

$$L = \frac{V_{OUT}(V_{IN} - V_{OUT})}{V_{IN}f_{OSC}I_{LOAD(MAX)}LIR}$$

For example: I_{LOAD(MAX)} = 5A, V_{IN} = 12V, V_{OUT} = 5V, f_{OSC} = 300kHz, 30% ripple current or LIR = 0.3:

$$L = \frac{5V \times (12V - 5V)}{12V \times 300kHz \times 5A \times 0.3} = 6.50\mu H$$

Find a low-loss inductor having the lowest possible DC resistance that fits in the allotted dimensions. Most inductor manufacturers provide inductors in standard values, such as 1.0μH, 1.5μH, 2.2μH, 3.3μH, etc. Also

Interleaved High-Efficiency, Dual Power-Supply Controllers for Notebook Computers

look for nonstandard values, which can provide a better compromise in LIR across the input voltage range. If using a swinging inductor (where the no-load inductance decreases linearly with increasing current), evaluate the LIR with properly scaled inductance values. For the selected inductance value, the actual peak-to-peak inductor ripple current ($\Delta I_{\text{INDUCTOR}}$) is defined by:

$$\Delta I_{\text{INDUCTOR}} = \frac{V_{\text{OUT}}(V_{\text{IN}} - V_{\text{OUT}})}{V_{\text{IN}} f_{\text{OSC}} L}$$

Ferrite cores are often the best choice, although powdered iron is inexpensive and can work well at 200kHz. The core must be large enough not to saturate at the peak inductor current (I_{PEAK}):

$$I_{\text{PEAK}} = I_{\text{LOAD(MAX)}} + \frac{\Delta I_{\text{INDUCTOR}}}{2}$$

Transient Response

The inductor ripple current also impacts transient-response performance, especially at low $V_{\text{IN}} - V_{\text{OUT}}$ differentials. Low inductor values allow the inductor current to slew faster, replenishing charge removed from the output filter capacitors by a sudden load step. The total output voltage sag is the sum of the voltage sag while the inductor is ramping up and the voltage sag before the next pulse can occur:

$$V_{\text{SAG}} = \frac{L(\Delta I_{\text{LOAD(MAX)}})^2}{2C_{\text{OUT}}(V_{\text{IN}} \times D_{\text{MAX}} - V_{\text{OUT}})} + \frac{\Delta I_{\text{LOAD(MAX)}}(T - \Delta T)}{C_{\text{OUT}}}$$

where D_{MAX} is maximum duty factor (see the *Electrical Characteristics*), T is the switching period ($1 / f_{\text{OSC}}$), and ΔT equals $V_{\text{OUT}} / V_{\text{IN}} \times T$ when in PWM mode, or $L \times 0.2 \times I_{\text{MAX}} / (V_{\text{IN}} - V_{\text{OUT}})$ when in skip mode. The amount of overshoot during a full-load to no-load transient due to stored inductor energy can be calculated as:

$$V_{\text{SOAR}} \approx \frac{(\Delta I_{\text{LOAD(MAX)}})^2 L}{2C_{\text{OUT}} V_{\text{OUT}}}$$

Setting the Current Limit

The minimum current-limit threshold must be great enough to support the maximum load current when the current limit is at the minimum tolerance value. The peak inductor current occurs at $I_{\text{LOAD(MAX)}}$ plus half the ripple current; therefore:

$$I_{\text{LIMIT}} > I_{\text{LOAD(MAX)}} + \left(\frac{\Delta I_{\text{INDUCTOR}}}{2} \right)$$

where I_{LIMIT} equals the minimum current-limit threshold voltage divided by the current-sense resistance (R_{SENSE}). For the 50mV default setting, the minimum current-limit threshold is 50mV.

Connect $ILIM_{-}$ to V_{CC} for a default 50mV current-limit threshold. In adjustable mode, the current-limit threshold is precisely 1/10 the voltage seen at $ILIM_{-}$. For an adjustable threshold, connect a resistive divider from REF to analog ground (GND) with $ILIM_{-}$ connected to the center tap. The external 500mV to 2V adjustment range corresponds to a 50mV to 200mV current-limit threshold. When adjusting the current limit, use 1% tolerance resistors and a divider current of approximately 10 μ A to prevent significant inaccuracy in the current-limit tolerance.

The current-sense method (Figure 8) and magnitude determines the achievable current-limit accuracy and power loss. Typically, higher current-sense limits provide tighter accuracy, but also dissipate more power. Most applications employ a current-limit threshold (V_{LIM}) of 50mV to 100mV, so the sense resistor can be determined by:

$$R_{\text{SENSE}_{-}} = V_{\text{LIM}_{-}} / I_{\text{LIM}_{-}}$$

For the best current-sense accuracy and overcurrent protection, use a 1% tolerance current-sense resistor between the inductor and output as shown in Figure 8a. This configuration constantly monitors the inductor current, allowing accurate current-limit protection.

Alternatively, high-power applications that do not require highly accurate current-limit protection may reduce the overall power dissipation by connecting a series RC circuit across the inductor (Figure 8b) with an equivalent time constant:

$$\frac{L}{R_L} = C_{\text{EQ}} \times R_{\text{EQ}}$$

where R_L is the inductor's series DC resistance. In this configuration, the current-sense resistance equals the inductor's DC resistance ($R_{\text{SENSE}} = R_L$). Use the worst-case inductance and R_L values provided by the inductor manufacturer, adding some margin for the inductance drop over temperature and load.

Interleaved High-Efficiency, Dual Power-Supply Controllers for Notebook Computers

MAX8716/MAX8717/MAX8756/MAX8757

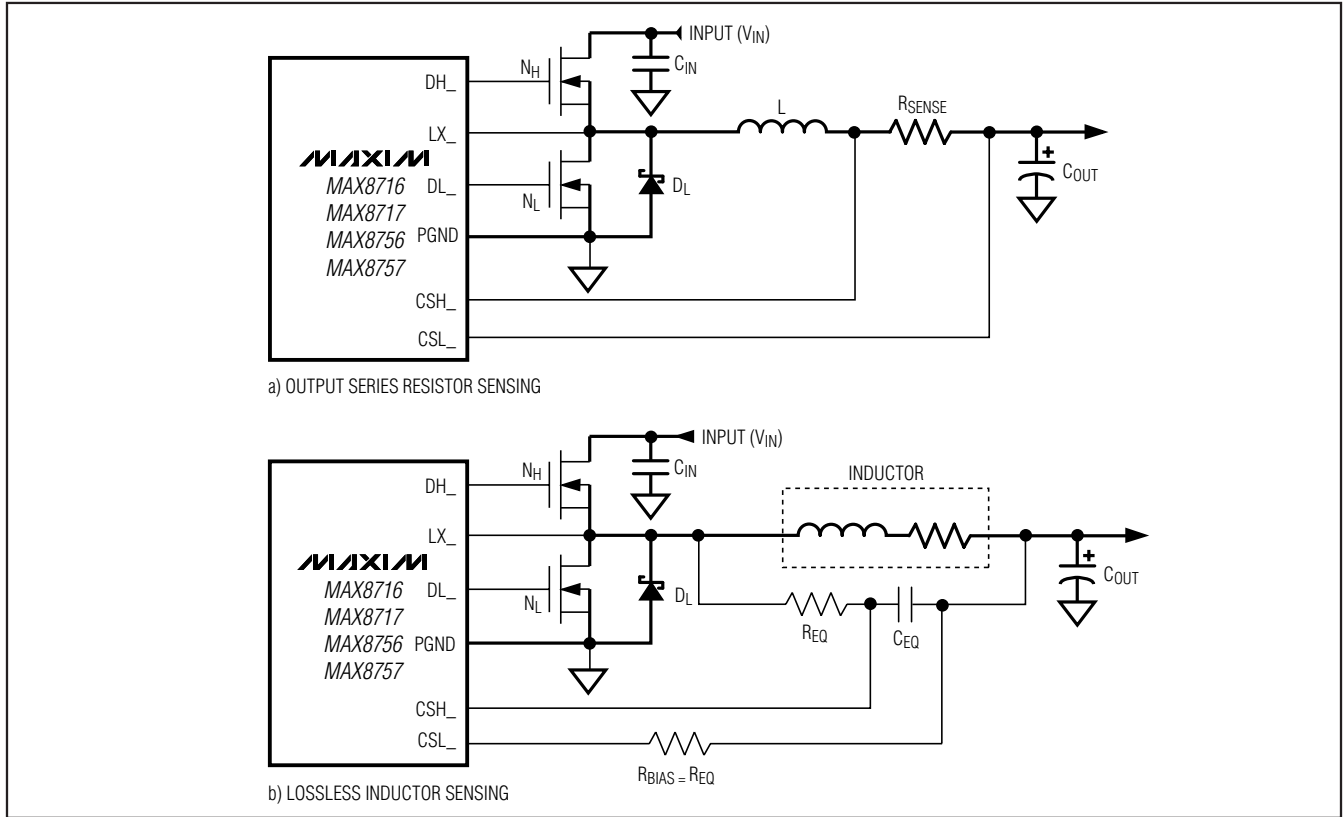


Figure 8. Current-Sense Configurations

Output Capacitor Selection

The output filter capacitor must have low enough equivalent series resistance (ESR) to meet output ripple and load-transient requirements, yet have high enough ESR to satisfy stability requirements. The output capacitance must be high enough to absorb the inductor energy while transitioning from full-load to no-load conditions without tripping the overvoltage fault protection. When using high-capacitance, low-ESR capacitors (see the *Output-Capacitor Stability Considerations* section), the filter capacitor's ESR dominates the output voltage ripple. So the output capacitor's size depends on the maximum ESR required to meet the output-voltage-ripple ($V_{\text{RIPPLE(P-P)}}$) specifications:

$$V_{\text{RIPPLE(P-P)}} = \text{RESR}_{\text{LOAD}}(\text{MAX})L_{\text{IR}}$$

In Idle Mode, the inductor current becomes discontinuous, with peak currents set by the idle-mode current-sense threshold ($V_{\text{IDLE}} = 0.2V_{\text{LIMIT}}$). In Idle Mode, the no-load output ripple can be determined as follows:

$$V_{\text{RIPPLE(P-P)}} = \frac{V_{\text{IDLE}}\text{RESR}}{R_{\text{SENSE}}}$$

The actual capacitance value required relates to the physical size needed to achieve low ESR, as well as to the chemistry of the capacitor technology. Thus, the capacitor is usually selected by ESR and voltage rating rather than by capacitance value (this is true of tantalums, OS-CONs, polymers, and other electrolytics). When using low-capacity filter capacitors, such as ceramic capacitors, size is usually determined by the capacity needed to prevent V_{SAG} and V_{SOAR} from causing problems during load transients. Generally, once enough capacitance is added to meet the overshoot requirement, undershoot at the rising load edge is no longer a problem (see the V_{SAG} and V_{SOAR} equations in the *Transient Response* section). However, low-capacity filter capacitors typically have high-ESR zeros that may effect the overall stability (see the *Output-Capacitor Stability Considerations* section).

Interleaved High-Efficiency, Dual Power-Supply Controllers for Notebook Computers

Output-Capacitor Stability Considerations

Stability is determined by the value of the ESR zero relative to the switching frequency. The boundary of instability is given by the following equation:

$$f_{ESR} \leq \frac{f_{SW}}{\pi}$$

where:

$$f_{ESR} = \frac{1}{2\pi R_{ESR} C_{OUT}}$$

For a typical 300kHz application, the ESR zero frequency must be well below 95kHz, preferably below 50kHz. Tantalum and OS-CON capacitors in widespread use at the time of publication have typical ESR zero frequencies of 25kHz. In the design example used for inductor selection, the ESR needed to support 25mV_{p-p} ripple is 25mV/1.5A = 16.7mΩ. One 220μF/4V SANYO polymer (TPE) capacitor provides 15mΩ (max) ESR. This results in a zero at 48kHz, well within the bounds of stability.

For low input-voltage applications where the duty cycle exceeds 50% ($V_{OUT} / V_{IN} \geq 50\%$), the output ripple voltage should not be greater than twice the internal slope-compensation voltage:

$$V_{RIPPLE} \leq 0.02 \times V_{OUT}$$

where V_{RIPPLE} equals $\Delta I_{INDUCTOR} \times R_{ESR}$. The worst-case ESR limit occurs when $V_{IN} = 2 \times V_{OUT}$, so the above equation can be simplified to provide the following boundary condition:

$$R_{ESR} \leq 0.04 \times L \times f_{OSC}$$

Do not put high-value ceramic capacitors directly across the feedback sense point without taking precautions to ensure stability. Large ceramic capacitors can have a high-ESR zero frequency and cause erratic, unstable operation. However, it is easy to add enough series resistance by placing the capacitors a couple of inches downstream from the feedback sense point, which should be as close as possible to the inductor.

Unstable operation manifests itself in two related but distinctly different ways: short/long pulses or cycle skipping resulting in a lower switching frequency. Instability occurs due to noise on the output or because the ESR is so low that there is not enough voltage ramp in the output voltage signal. This “fools” the error comparator into triggering too early or skipping a cycle. Cycle skipping is more annoying than harmful, resulting in nothing worse than increased output ripple. However, it can indicate the possible presence of loop instability due to insufficient ESR. Loop instability can result in oscillations at the output after line or load steps. Such perturbations are usually damped, but can

cause the output voltage to rise above or fall below the tolerance limits.

The easiest method for checking stability is to apply a very fast zero-to-max load transient and carefully observe the output-voltage-ripple envelope for overshoot and ringing. It can help to simultaneously monitor the inductor current with an AC current probe. Do not allow more than one cycle of ringing after the initial step-response under/overshoot.

Input Capacitor Selection

The input capacitor must meet the ripple-current requirement (I_{RMS}) imposed by the switching currents. For an out-of-phase regulator, the total RMS current in the input capacitor is a function of the load currents, the input currents, the duty cycles, and the amount of overlap as defined in Figure 9.

The 40/60 optimal interleaved architecture of the MAX8716/MAX8717/MAX8756/MAX8757 allows the input voltage to go as low as 8.3V before the duty cycles begin to overlap. This offers improved efficiency over a regular 180° out-of-phase architecture where the duty cycles begin to overlap below 10V. Figure 9

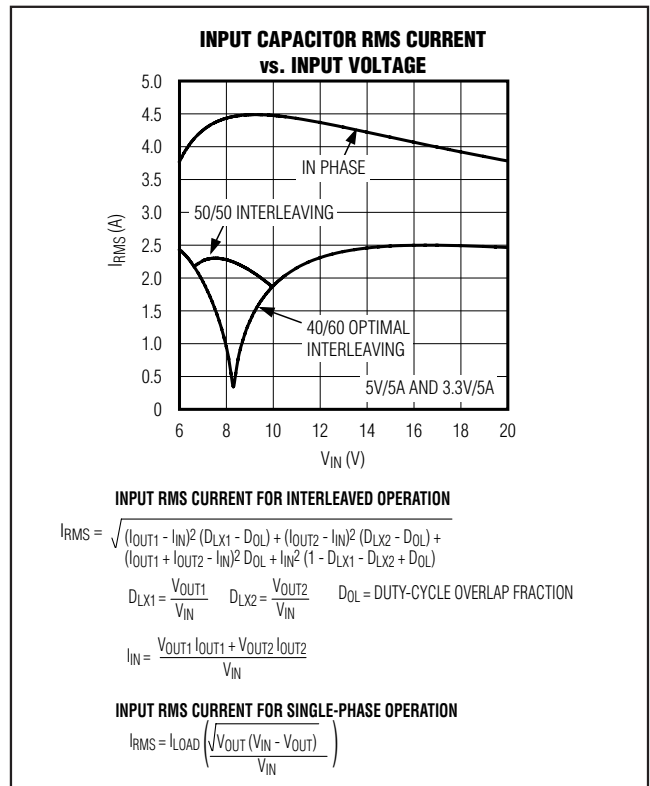


Figure 9. Input RMS Current

Interleaved High-Efficiency, Dual Power-Supply Controllers for Notebook Computers

shows the input-capacitor RMS current vs. input voltage for an application that requires 5V/5A and 3.3V/5A. This shows the improvement of the 40/60 optimal interleaving over 50/50 interleaving and in-phase operation.

For most applications, nontantalum chemistries (ceramic, aluminum, or OS-CON) are preferred due to their resistance to power-up surge currents typical of systems with a mechanical switch or connector in series with the input. Choose a capacitor that has less than 10°C temperature rise at the RMS input current for optimal reliability and lifetime.

Power MOSFET Selection

Most of the following MOSFET guidelines focus on the challenge of obtaining high load-current capability when using high-voltage (> 20V) AC adapters. Low-current applications usually require less attention.

The high-side MOSFET (N_H) must be able to dissipate the resistive losses plus the switching losses at both V_{IN(MIN)} and V_{IN(MAX)}. Ideally, the losses at V_{IN(MIN)} should be roughly equal to the losses at V_{IN(MAX)}, with lower losses in between. If the losses at V_{IN(MIN)} are significantly higher, consider increasing the size of N_H. Conversely, if the losses at V_{IN(MAX)} are significantly higher, consider reducing the size of N_H. If V_{IN} does not vary over a wide range, optimum efficiency is achieved by selecting a high-side MOSFET (N_H) that has conduction losses equal to the switching losses.

Choose a low-side MOSFET (N_L) that has the lowest possible on-resistance (R_{DS(ON)}), comes in a moderate-sized package (i.e., 8-pin SO, DPAK, or D²PAK), and is reasonably priced. Ensure that the MAX8716/MAX8717/MAX8756/MAX8757 DL₋ gate driver can supply sufficient current to support the gate charge and the current injected into the parasitic drain-to-gate capacitor caused by the high-side MOSFET turning on; otherwise, cross-conduction problems may occur. Switching losses are not an issue for the low-side MOSFET since it is a zero-voltage switched device when used in the step-down topology.

Power MOSFET Dissipation

Worst-case conduction losses occur at the duty-factor extremes. For the high-side MOSFET (N_H), the worst-case power dissipation due to resistance occurs at minimum input voltage:

$$PD(N_H \text{ RESISTIVE}) = \frac{V_{OUT}}{V_{IN}} (I_{LOAD})^2 R_{DS(ON)}$$

Generally, use a small high-side MOSFET to reduce switching losses at high input voltages. However, the R_{DS(ON)} required to stay within package power-dissipation limits often limits how small the MOSFET can be.

The optimum occurs when the switching losses equal the conduction (R_{DS(ON)}) losses. High-side switching losses do not become an issue until the input is greater than approximately 15V.

Calculating the power dissipation in high-side MOSFETs (N_H) due to switching losses is difficult, since it must allow for difficult-to-quantify factors that influence the turn-on and turn-off times. These factors include the internal gate resistance, gate charge, threshold voltage, source inductance, and PCB layout characteristics. The following switching-loss calculation provides only a very rough estimate and is no substitute for breadboard evaluation, preferably including verification using a thermocouple mounted on N_H:

$$PD(N_H \text{ SWITCHING}) = \left(\frac{V_{IN(MAX)} I_{LOAD} f_{SW}}{\eta_{TOTAL}} \right) \left(\frac{Q_{G(SW)}}{I_{GATE}} \right) + \frac{C_{OSS} V_{IN}^2 f_{SW}}{2}$$

where C_{OSS} is the N_H MOSFET's output capacitance, Q_{G(SW)}², is the charge needed to turn on the N_H MOSFET, and I_{GATE} is the peak gate-drive source/sink current (1A typ).

Switching losses in the high-side MOSFET can become a heat problem when maximum AC adapter voltages are applied, due to the squared term in the switching-loss equation (C x V_{IN}² x f_{SW}). If the high-side MOSFET chosen for adequate R_{DS(ON)} at low battery voltages becomes extraordinarily hot when subjected to V_{IN(MAX)}, consider choosing another MOSFET with lower parasitic capacitance.

For the low-side MOSFET (N_L), the worst-case power dissipation always occurs at maximum battery voltage:

$$PD(N_L \text{ RESISTIVE}) = \left[1 - \left(\frac{V_{OUT}}{V_{IN(MAX)}} \right) \right] (I_{LOAD})^2 R_{DS(ON)}$$

The absolute worst case for MOSFET power dissipation occurs under heavy-overload conditions that are greater than I_{LOAD(MAX)} but are not high enough to exceed the current limit and cause the fault latch to trip. To protect against this possibility, "overdesign" the circuit to tolerate:

$$I_{LOAD} = I_{LIMIT} - \left(\frac{\Delta I_{INDUCTOR}}{2} \right)$$

where I_{LIMIT} is the peak current allowed by the current-limit circuit, including threshold tolerance and sense-resistance variation. The MOSFETs must have a relatively large heatsink to handle the overload power dissipation.

Interleaved High-Efficiency, Dual Power-Supply Controllers for Notebook Computers

Choose a Schottky diode (D_L) with a forward-voltage drop low enough to prevent the low-side MOSFET's body diode from turning on during the dead time. As a general rule, select a diode with a DC current rating equal to 1/3 the load current. This diode is optional and can be removed if efficiency is not critical.

Boost Capacitors

The boost capacitors (C_{BST}) must be selected large enough to handle the gate-charging requirements of the high-side MOSFETs. Typically, 0.1 μ F ceramic capacitors work well for low-power applications driving medium-sized MOSFETs. However, high-current applications driving large, high-side MOSFETs require boost capacitors larger than 0.1 μ F. For these applications, select the boost capacitors to avoid discharging the capacitor more than 200mV while charging the high-side MOSFETs' gates:

$$C_{BST} = \frac{Q_{GATE}}{200mV}$$

where Q_{GATE} is the total gate charge specified in the high-side MOSFET's data sheet. For example, assume the FDS6612A n-channel MOSFET is used on the high side. According to the manufacturer's data sheet, a single FDS6612A has a maximum gate charge of 13nC ($V_{GS} = 5V$). Using the above equation, the required boost capacitance would be:

$$C_{BST} = \frac{13nC}{100mV} = 0.065\mu F$$

Selecting the closest standard value, this example requires a 0.1 μ F ceramic capacitor.

Applications Information

Duty-Cycle Limits

Minimum Input Voltage

The minimum input operating voltage (dropout voltage) is restricted by the maximum duty-cycle specification (see the *Electrical Characteristics* table). For the best dropout performance, use the slowest switching-frequency setting ($FSEL = GND$). However, keep in mind that the transient performance gets worse as the step-down regulators approach the dropout voltage, so bulk output capacitance must be added (see the voltage sag and soar equations in the *Design Procedure* section). The absolute point of dropout occurs when the inductor current ramps down during the off-time (ΔI_{DOWN}) as much as it ramps up during the on-time

(ΔI_{UP}). This results in a minimum operating voltage defined by the following equation:

$$V_{IN(MIN)} = V_{OUT} + V_{CHG} + h \left(\frac{1}{D_{MAX}} - 1 \right) (V_{OUT} + V_{DIS})$$

where V_{CHG} and V_{DIS} are the parasitic voltage drops in the charge and discharge paths, respectively. A reasonable minimum value for h is 1.5, while the absolute minimum input voltage is calculated with $h = 1$.

Maximum Input Voltage

The MAX8716/MAX8717/MAX8756/MAX8757 controller includes a minimum on-time specification, which determines the maximum input operating voltage that maintains the selected switching frequency (see the *Electrical Characteristics* table). Operation above this maximum input voltage results in pulse-skipping operation, regardless of the operating mode selected by SKIP. At the beginning of each cycle, if the output voltage is still above the feedback threshold voltage, the controller does not trigger an on-time pulse, effectively skipping a cycle. This allows the controller to maintain regulation above the maximum input voltage, but forces the controller to effectively operate with a lower switching frequency. This results in an input threshold voltage at which the controller begins to skip pulses ($V_{IN(SKIP)}$):

$$V_{IN(SKIP)} = V_{OUT} \left(\frac{1}{f_{OSC} t_{ON(MIN)}} \right)$$

where f_{OSC} is the switching frequency selected by FSEL.

PCB Layout Guidelines

Careful PCB layout is critical to achieving low switching losses and clean, stable operation. The switching power stage requires particular attention (Figure 10). If possible, mount all the power components on the top side of the board, with their ground terminals flush against one another. Follow these guidelines for good PCB layout:

- Keep the high-current paths short, especially at the ground terminals. This practice is essential for stable, jitter-free operation.
- Keep the power traces and load connections short. This practice is essential for high efficiency. Using thick copper PCBs (2oz vs. 1oz) can enhance full-load efficiency by 1% or more. Correctly routing PCB traces is a difficult task that must be approached in terms of fractions of centimeters, where a single m Ω of excess trace resistance causes a measurable efficiency penalty.

Interleaved High-Efficiency, Dual Power-Supply Controllers for Notebook Computers

- Minimize current-sensing errors by connecting CSH_ and CSL_ directly across the current-sense resistor (RSENSE_).
 - When trade-offs in trace lengths must be made, it is preferable to allow the inductor charging path to be made longer than the discharge path. For example, it is better to allow some extra distance between the input capacitors and the high-side MOSFET than to allow distance between the inductor and the low-side MOSFET or between the inductor and the output filter capacitor.
 - Route high-speed switching nodes (BST_, LX_, DH_, and DL_) away from sensitive analog areas (REF, FB_, CSH_, CSL_).
- 3) Group the gate-drive components (BST_ diode and capacitor and LDO5 bypass capacitor) together near the controller IC.
 - 4) Make the DC-DC controller ground connections as shown in Figures 1 and 10. This diagram can be viewed as having two separate ground planes: power ground, where all the high-power components go; and an analog ground plane for sensitive analog components. The analog ground plane and power ground plane must meet only at a single point directly at the IC.
 - 5) Connect the output power planes directly to the output filter capacitor positive and negative terminals with multiple vias. Place the entire DC-DC converter circuit as close to the load as is practical.

Layout Procedure

- 1) Place the power components first, with ground terminals adjacent (N_L_ source, C_{IN}, C_{OUT}_, and D_L_ anode). If possible, make all these connections on the top layer with wide, copper-filled areas.
- 2) Mount the controller IC adjacent to the low-side MOSFET, preferably on the back side opposite N_L_ and N_H_ to keep LX_, GND, DH_, and the DL_ gate-drive lines short and wide. The DL_ and DH_ gate traces must be short and wide (50 mils to 100 mils wide if the MOSFET is 1in from the controller IC) to keep the driver impedance low and for proper adaptive dead-time sensing.

Chip Information

TRANSISTOR COUNT: 5879

PROCESS: BiCMOS

MAX8716/MAX8717/MAX8756/MAX8757

Interleaved High-Efficiency, Dual Power-Supply Controllers for Notebook Computers

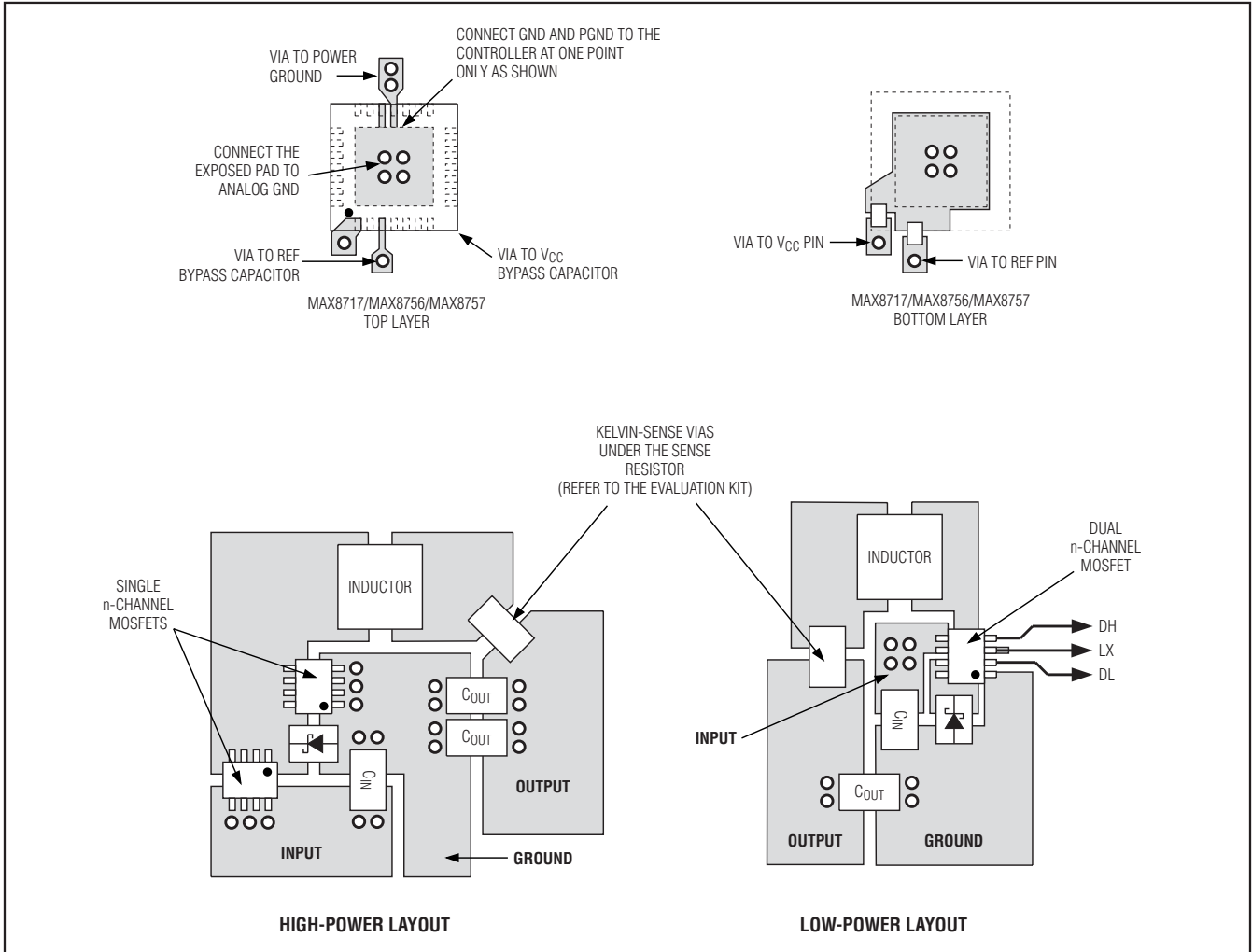


Figure 10. PCB Layout Example

Ordering Information (continued)

PART	TEMP RANGE	PIN-PACKAGE	PKG CODE
MAX8717ETI+	-40°C to +85°C	28 Thin QFN 5mm x 5mm	T2855-6
MAX8756ETI+	-40°C to +85°C	28 Thin QFN 4mm x 4mm	T2855-6
MAX8757ETI+	-40°C to +85°C	28 Thin QFN 5mm x 5mm	T2855-6

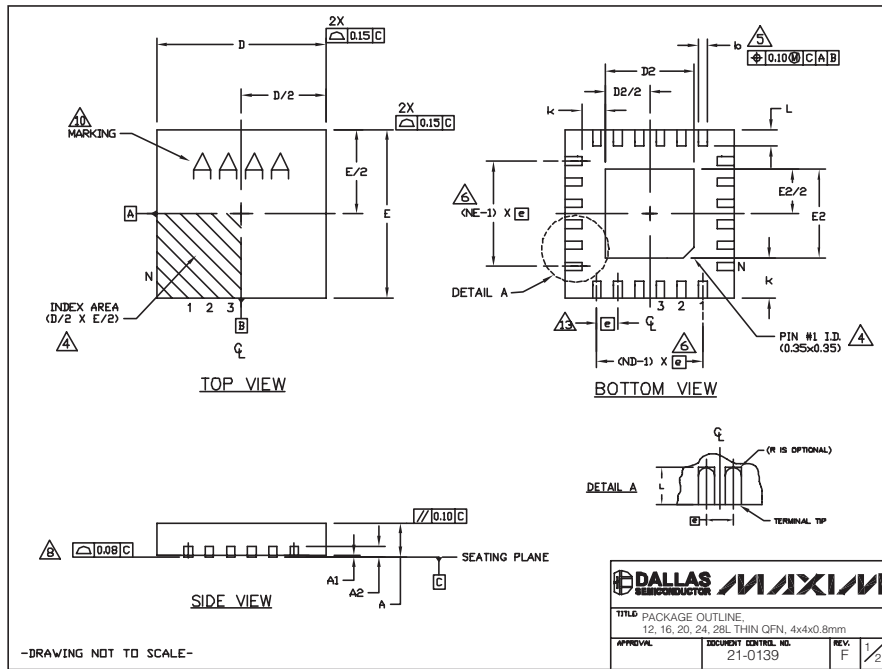
+Denotes a lead-free package.

Interleaved High-Efficiency, Dual Power-Supply Controllers for Notebook Computers

Package Information

(The package drawing(s) in this data sheet may not reflect the most current specifications. For the latest package outline information, go to www.maxim-ic.com/packages.)

MAX8716/MAX8717/MAX8756/MAX8757



COMMON DIMENSIONS															
PKG REF.	12L 4x4			16L 4x4			20L 4x4			24L 4x4			28L 4x4		
	MIN.	NOM.	MAX.	MIN.	NOM.	MAX.	MIN.	NOM.	MAX.	MIN.	NOM.	MAX.	MIN.	NOM.	MAX.
A	0.70	0.75	0.80	0.70	0.75	0.80	0.70	0.75	0.80	0.70	0.75	0.80	0.70	0.75	0.80
A1	0.0	0.02	0.05	0.0	0.02	0.05	0.0	0.02	0.05	0.0	0.02	0.05	0.0	0.02	0.05
A2	0.20 REF.			0.20 REF.			0.20 REF.			0.20 REF.			0.20 REF.		
b	0.25	0.30	0.35	0.25	0.30	0.35	0.20	0.25	0.30	0.18	0.23	0.30	0.15	0.20	0.25
D	3.90	4.00	4.10	3.90	4.00	4.10	3.90	4.00	4.10	3.90	4.00	4.10	3.90	4.00	4.10
E	3.90	4.00	4.10	3.90	4.00	4.10	3.90	4.00	4.10	3.90	4.00	4.10	3.90	4.00	4.10
e	0.80 BSC.			0.65 BSC.			0.50 BSC.			0.50 BSC.			0.40 BSC.		
k	0.25	-	0.25	-	0.25	-	0.25	-	0.25	-	0.25	-	0.25	-	0.25
L	0.45	0.55	0.65	0.45	0.55	0.65	0.45	0.55	0.65	0.30	0.40	0.50	0.30	0.40	0.50
N	12	16	20	20	24	28									
ND	3	4	5	5	6	7									
NE	3	4	5	5	6	7									
JEDEC VQFN	VGG3			VGGC			WGGD-1			WGGD-2			VGGE		

EXPOSED PAD VARIATIONS												
PKG CODES	D2			E2								
	MIN.	NOM.	MAX.	MIN.	NOM.	MAX.	MIN.	NOM.	MAX.	MIN.	NOM.	MAX.
T1244-3	1.95	2.10	2.25	1.95	2.10	2.25						
T1244-4	1.95	2.10	2.25	1.95	2.10	2.25						
T1644-3	1.95	2.10	2.25	1.95	2.10	2.25						
T1644-4	1.95	2.10	2.25	1.95	2.10	2.25						
T2044-2	1.95	2.10	2.25	1.95	2.10	2.25						
T2044-3	1.95	2.10	2.25	1.95	2.10	2.25						
T2444-2	1.95	2.10	2.25	1.95	2.10	2.25						
T2444-3	2.45	2.60	2.63	2.45	2.60	2.63						
T2444-4	2.45	2.60	2.63	2.45	2.60	2.63						
T2844-1	2.50	2.60	2.70	2.50	2.60	2.70						

NOTES:

- DIMENSIONING & TOLERANCING CONFORM TO ASME Y14.5M-1994.
- ALL DIMENSIONS ARE IN MILLIMETERS. ANGLES ARE IN DEGREES.
- N IS THE TOTAL NUMBER OF TERMINALS.
- THE TERMINAL #1 IDENTIFIER AND TERMINAL NUMBERING CONVENTION SHALL CONFORM TO JEDEC 95-1 SPP-012. DETAILS OF TERMINAL #1 IDENTIFIER ARE OPTIONAL, BUT MUST BE LOCATED WITHIN THE ZONE INDICATED. THE TERMINAL #1 IDENTIFIER MAY BE EITHER A MOLD OR MARKED FEATURE.
- DIMENSION b APPLIES TO METALLIZED TERMINAL AND IS MEASURED BETWEEN 0.25mm AND 0.30mm FROM TERMINAL TIP.
- ND AND NE REFER TO THE NUMBER OF TERMINALS ON EACH D AND E SIDE RESPECTIVELY.
- DEPOPULATION IS POSSIBLE IN A SYMMETRICAL FASHION.
- COPLANARITY APPLIES TO THE EXPOSED HEAT SINK SLUG AS WELL AS THE TERMINALS.
- DRAWING CONFORMS TO JEDEC MO220, EXCEPT FOR T2444-3, T2444-4 AND T2844-1.
- MARKING IS FOR PACKAGE ORIENTATION REFERENCE ONLY.
- COPLANARITY SHALL NOT EXCEED 0.08mm.
- WARPAGE SHALL NOT EXCEED 0.10mm.
- LEAD CENTERLINES TO BE AT TRUE POSITION AS DEFINED BY BASIC DIMENSION 'e', ±0.05.
- NUMBER OF LEADS SHOWN ARE FOR REFERENCE ONLY.
- ALL DIMENSIONS ARE THE SAME FOR LEADED & PwFREE PARTS.

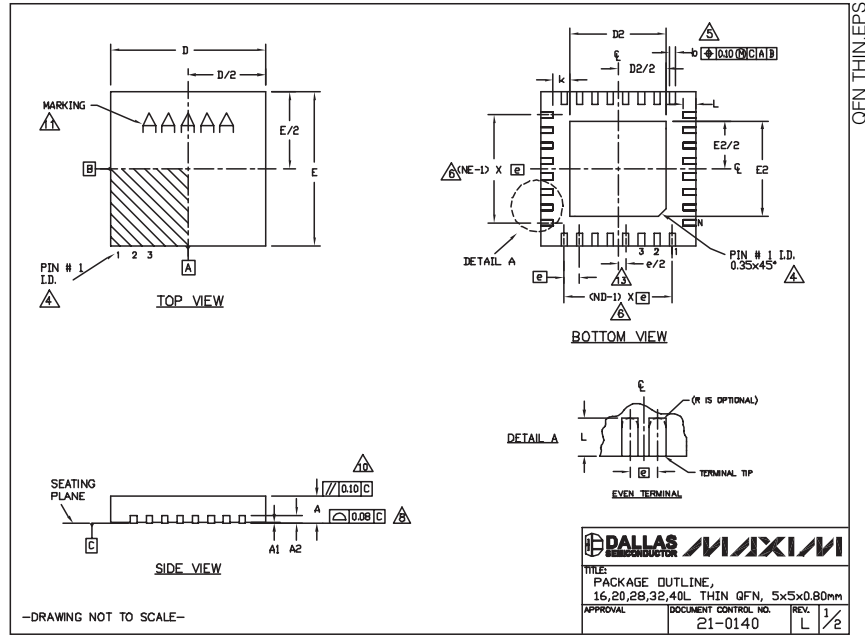
-DRAWING NOT TO SCALE-

DALLAS SEMICONDUCTOR		MAXIM	
TITLE PACKAGE OUTLINE, 12, 16, 20, 24, 28L THIN QFN, 4x4x0.8mm			
APPROVAL	DOCUMENT CONTROL NO. 21-0139	REV. F	1/2

Interleaved High-Efficiency, Dual Power-Supply Controllers for Notebook Computers

Package Information (continued)

(The package drawing(s) in this data sheet may not reflect the most current specifications. For the latest package outline information, go to www.maxim-ic.com/packages.)



-DRAWING NOT TO SCALE-

COMMON DIMENSIONS													
PKG	16L 5x5			20L 5x5			28L 5x5			40L 5x5			
SYMBOL	MIN	NOM	MAX	MIN	NOM	MAX	MIN	NOM	MAX	MIN	NOM	MAX	
A	0.70	0.75	0.80	0.70	0.75	0.80	0.70	0.75	0.80	0.70	0.75	0.80	
A1	0	0.02	0.05	0	0.02	0.05	0	0.02	0.05	0	0.02	0.05	
A2	0.20 REF.			0.20 REF.			0.20 REF.			0.20 REF.			
b	0.25	0.30	0.35	0.25	0.30	0.35	0.25	0.30	0.25	0.30	0.15	0.20	0.25
D	4.90	5.00	5.10	4.90	5.00	5.10	4.90	5.00	5.10	4.90	5.00	5.10	
E	4.90	5.00	5.10	4.90	5.00	5.10	4.90	5.00	5.10	4.90	5.00	5.10	
e	0.60 BSC.			0.65 BSC.			0.50 BSC.			0.40 BSC.			
h	0.25	-	0.25	-	0.25	-	0.25	-	0.25	-	0.25	-	
L	0.30	0.40	0.50	0.45	0.55	0.65	0.45	0.55	0.65	0.30	0.40	0.50	
N	16	20	28	32	40								
ND	4	5	7	8	10								
NE	4	5	7	8	10								
JEDEC	VHFB	VHHC	VHHD-1	VHHD-2									

EXPOSED PAD VARIATIONS								
PKG CODES	D2			E2				
	MIN	NOM	MAX	MIN	NOM	MAX		
T1655-2	3.00	3.10	3.20	3.00	3.10	3.20		
T1655-3	3.00	3.10	3.20	3.00	3.10	3.20		
T1655N-1	3.00	3.10	3.20	3.00	3.10	3.20		
T2055-3	3.00	3.10	3.20	3.00	3.10	3.20		
T2055-4	3.00	3.10	3.20	3.00	3.10	3.20		
T2055-5	3.15	3.25	3.35	3.15	3.25	3.35		
T2055N-5	3.15	3.25	3.35	3.15	3.25	3.35		
T2855-3	3.15	3.25	3.35	3.15	3.25	3.35		
T2855-4	2.60	2.70	2.80	2.60	2.70	2.80		
T2855-5	2.60	2.70	2.80	2.60	2.70	2.80		
T2855-6	3.15	3.25	3.35	3.15	3.25	3.35		
T2855-7	2.60	2.70	2.80	2.60	2.70	2.80		
T2855-8	3.15	3.25	3.35	3.15	3.25	3.35		
T2855N-1	3.15	3.25	3.35	3.15	3.25	3.35		
T3255-3	3.00	3.10	3.20	3.00	3.10	3.20		
T3255-4	3.00	3.10	3.20	3.00	3.10	3.20		
T3255N-4	3.00	3.10	3.20	3.00	3.10	3.20		
T3255-5	3.00	3.10	3.20	3.00	3.10	3.20		
T3255N-1	3.00	3.10	3.20	3.00	3.10	3.20		
T4055-1	3.40	3.50	3.60	3.40	3.50	3.60		
T4055-2	3.40	3.50	3.60	3.40	3.50	3.60		
T4055N-1	3.40	3.50	3.60	3.40	3.50	3.60		

NOTES:

- DIMENSIONING & TOLERANCING CONFORM TO ASME Y14.5M-1994.
- ALL DIMENSIONS ARE IN MILLIMETERS. ANGLES ARE IN DEGREES.
- N IS THE TOTAL NUMBER OF TERMINALS.
- THE TERMINAL #1 IDENTIFIER AND TERMINAL NUMBERING CONVENTION SHALL CONFORM TO JEDEC 95-1 SPP-012. DETAILS OF TERMINAL #1 IDENTIFIER ARE OPTIONAL, BUT MUST BE LOCATED WITHIN THE ZONE INDICATED. THE TERMINAL #1 IDENTIFIER MAY BE EITHER A MOLD OR MARKED FEATURE.
- DIMENSION b APPLIES TO METALLIZED TERMINAL AND IS MEASURED BETWEEN 0.25 mm AND 0.30 mm FROM TERMINAL TIP.
- ND AND NE REFER TO THE NUMBER OF TERMINALS ON EACH D AND E SIDE RESPECTIVELY.
- DEPOPULATION IS POSSIBLE IN A SYMMETRICAL FASHION.
- COPLANARITY APPLIES TO THE EXPOSED HEAT SINK SLUG AS WELL AS THE TERMINALS.
- DRAWING CONFORMS TO JEDEC MO220, EXCEPT EXPOSED PAD DIMENSION FOR T2855-3, T2855-6, T4055-1 AND T4055-2.
- WARPAGE SHALL NOT EXCEED 0.10 mm.
- MARKING IS FOR PACKAGE ORIENTATION REFERENCE ONLY.
- NUMBER OF LEADS SHOWN ARE FOR REFERENCE ONLY.
- LEAD CENTERLINES TO BE AT TRUE POSITION AS DEFINED BY BASIC DIMENSION 'e', ±0.05.
- ALL DIMENSIONS APPLY TO BOTH LEADED AND PAPER PARTS.

-DRAWING NOT TO SCALE-

Maxim cannot assume responsibility for use of any circuitry other than circuitry entirely embodied in a Maxim product. No circuit patent licenses are implied. Maxim reserves the right to change the circuitry and specifications without notice at any time.

30 **Maxim Integrated Products, 120 San Gabriel Drive, Sunnyvale, CA 94086 408-737-7600**



Компания «ЭлектроПласт» предлагает заключение долгосрочных отношений при поставках импортных электронных компонентов на взаимовыгодных условиях!

Наши преимущества:

- Оперативные поставки широкого спектра электронных компонентов отечественного и импортного производства напрямую от производителей и с крупнейших мировых складов;
- Поставка более 17-ти миллионов наименований электронных компонентов;
- Поставка сложных, дефицитных, либо снятых с производства позиций;
- Оперативные сроки поставки под заказ (от 5 рабочих дней);
- Экспресс доставка в любую точку России;
- Техническая поддержка проекта, помощь в подборе аналогов, поставка прототипов;
- Система менеджмента качества сертифицирована по Международному стандарту ISO 9001;
- Лицензия ФСБ на осуществление работ с использованием сведений, составляющих государственную тайну;
- Поставка специализированных компонентов (Xilinx, Altera, Analog Devices, Intersil, Interpoint, Microsemi, Aeroflex, Peregrine, Syfer, Eurofarad, Texas Instrument, Miteq, Cobham, E2V, MA-COM, Hittite, Mini-Circuits, General Dynamics и др.);

Помимо этого, одним из направлений компании «ЭлектроПласт» является направление «Источники питания». Мы предлагаем Вам помощь Конструкторского отдела:

- Подбор оптимального решения, техническое обоснование при выборе компонента;
- Подбор аналогов;
- Консультации по применению компонента;
- Поставка образцов и прототипов;
- Техническая поддержка проекта;
- Защита от снятия компонента с производства.



Как с нами связаться

Телефон: 8 (812) 309 58 32 (многоканальный)

Факс: 8 (812) 320-02-42

Электронная почта: org@eplast1.ru

Адрес: 198099, г. Санкт-Петербург, ул. Калинина, дом 2, корпус 4, литера А.