

This document is the property of Amphenol Corporation and is delivered on the express condition that is not to be disclosed, reproduced or used, in whole or in part, for manufacture or sale by anyone other than Amphenol Corporation without its prior consent, and that no right is granted to disclose or to use any information in this document.

The marking on this product doesn't contain environmental hazardous materials per Material Specification 55-00259 for Sony GP compliant or per directive 2011/65/EU for RoHS compliant.



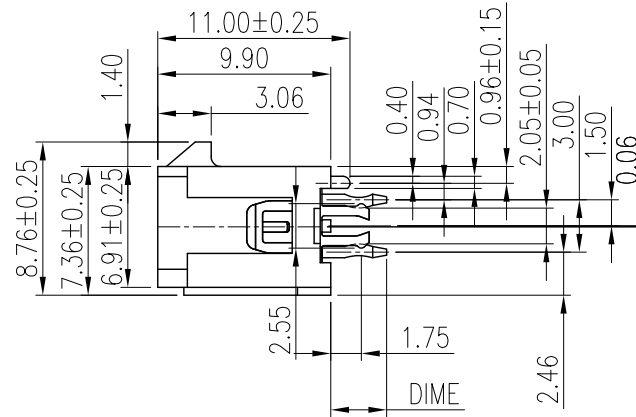
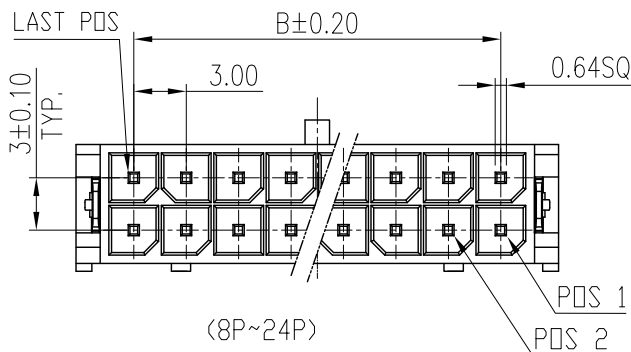
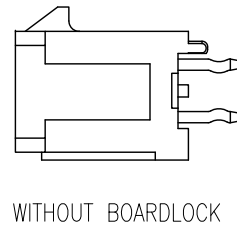
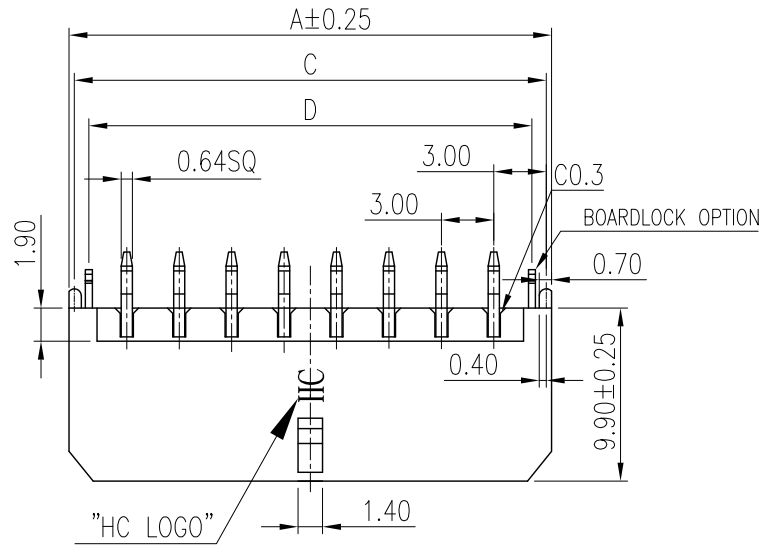
ORIGINAL



REVISIONS				
SYM	ECN No.	DESCRIPTION	DATE	APPROVED
A	NE-14124	RELEASE FOR RoHS	06/24/2014	Arron Lin
B	NE-16211	ADDED LCP NATURAL/BOARDLOCK/TAI OPTION	09/13/2016	Roger Tsai

NOTE:

- MATERIAL
INSULATOR: HIGH TEMP. THERMOPLASTIC, LCP, UL 94V-0, COLOR BLACK
CONTACT MATERIAL: HIGH PERFORMANCE COPPER ALLOY.
BOARDLOCK: COPPER ALLOY.
- FINISH:
CONTACT: SELECTIVE PLATING. ;
SOLDERING AREA: MATTE TIN 100u" MIN. OR GOLD PLATING;
UNDER PLATING: NICKEL PLATING 50 u" THICKNESS MIN. OVERALL.
BOARDLOCK:
MATTE TIN 100u" MIN. PLATING;
UNDER PLATING: NICKEL PLATING 50 u" THICKNESS MIN. OVERALL.
- THIS PRODUCT DOESN'T ENVIRONMENTAL HAZARDOUS MATERIALS PER DIRECTIVE 2011/65/EU FOR RoHS.
- APPLICABLE P.C.BOARD THICKNESS: 1.60mm
- PRODUCT SPECIFICATION REFER TO : PS-7528
- PACKING MUST BE PER AMPHENOL PACKING SPECIFICATION
- TO ENSURE CURRENT RATING CAPABILITY, AMPHENOL HIGH CURRENT PART NUMBERS IN THE CHART ARE RECOMMENDED.
(G88MPH CABLE HOUSING SERIES WITH G88MPC CABLE TERMINAL SERIES)



POS	A	B	C	D
02	6.60		6.00	4.3
04	9.60	3.00	9.00	7.3
06	12.60	6.00	12.00	10.3
08	15.60	9.00	15.00	13.3
10	18.60	12.00	18.00	16.3
12	21.60	15.00	21.00	19.3
14	24.60	18.00	24.00	22.3
16	27.60	21.00	27.00	25.3
18	30.60	24.00	30.00	28.3
20	33.60	27.00	33.00	31.3
22	36.60	30.00	36.00	34.3
24	39.60	33.00	39.00	37.3

PART NO. G88MPXX1XXXEU

No. OF CIRCUIT

CONTACT FINISH
0: MATTE TIN (OVERALL)
UNDER PLATING NICKEL
50 u" THICKNESS MIN
1: FLASH GOLD (OVERALL)
2: 15 u" GOLD
3: 30 u" GOLD

BOARDLOCK OPTION
K: WITH BOARDLOCK
M: WITHOUT BOARDLOCK

INSULATOR, / DIM E
1: LCP(NATURAL), /3.20±0.25
2: LCP (BLACK), /3.20±0.25
5: LCP(NATURAL), /2.80
6: LCP (BLACK), /2.80

TOLERANCE	APPROVALS	DATE
X.X ±0.30	DRAWN Aqua Chou	09/13/2016
X.XX ±0.20	CHECKED Roger Tsai	09/13/2016
X.XXX ±0.10	APPROVED Roger Tsai	09/13/2016
ANGULAR ±1°		
UNLESS OTHERWISE SPECIFIED	DWG TYPE CUST DWG	PROJECT CODE PHD

TITLE		
G88MP SERIES MICRO POWER PLUS, WAFER 3.00 MM PITCH STRAIGHT DIP, W/KINK BLOCK (TRAY PACKING)		
UNIT mm	SIZE A3	
SCALE NA	SHEET 1 OF 4	

Amphenol®	
Amphenol Corporation Amphenol Taiwan Corporation	
PART No.	G88MPXX1XXXEU
DWG No.	G88MPXX1XXXEU
REV.	B

This document is the property of Amphenol Corporation and is delivered on the express condition that it is not to be disclosed, reproduced or used, in whole or in part, for manufacture or sale by anyone other than Amphenol Corporation without its prior consent, and that no right is granted to disclose or to use any information in this document.

The marking on this product doesn't contain environmental hazardous materials per Material Specification 55-00259 for Sony GP compliant or per directive 2011/65/EU for RoHS compliant.

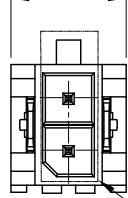


ORIGINAL



REVISIONS				
SYM	ECN No.	DESCRIPTION	DATE	APPROVED
A	NE-14124	RELEASE FOR RoHS	06/24/2014	Arron Lin
B	NE-16211	ADDED LCP NATURAL/BOARDLOCK/TAIL OPTION	09/13/2016	Roger Tsai

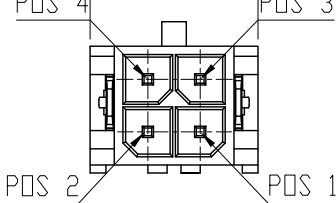
6.60±0.25



DETAIL D

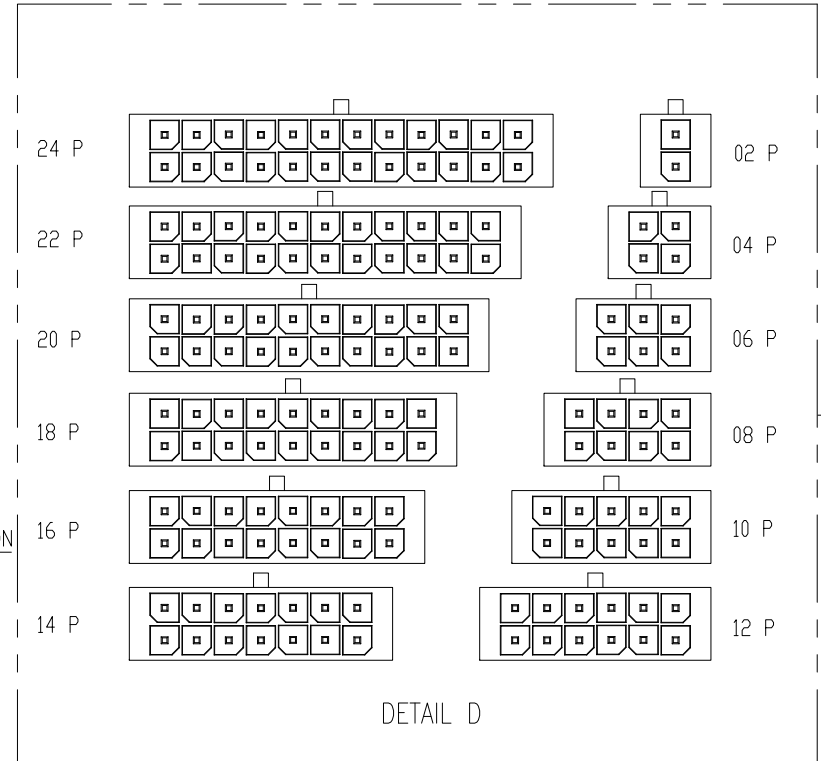
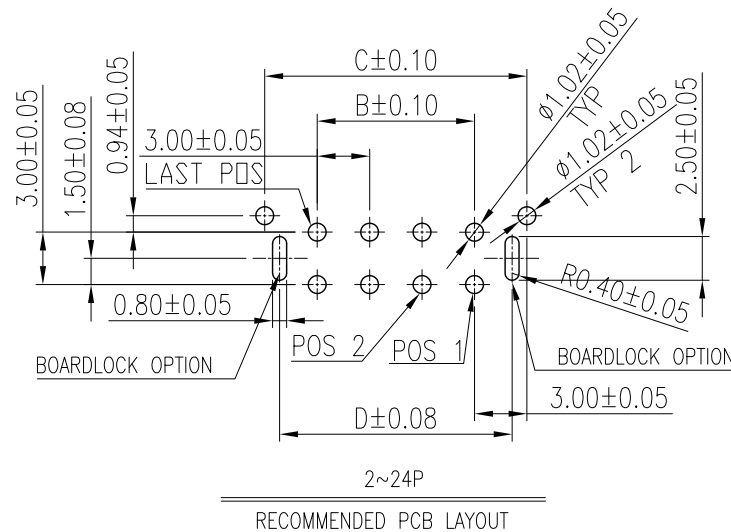
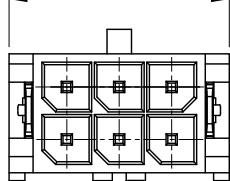
(2X1POS)

9.60±0.25



(2X2POS)

12.60±0.25



TOLERANCE	APPROVALS	DATE	TITLE		Amphenol®		
X. ±0.30	DRAWN Aqua Chou	09/13/2016	G88MP SERIES MICRO POWER PLUS, WAFER 3.00 MM PITCH STRAIGHT DIP, W/KINK BLOCK (TRAY PACKING)		Amphenol Corporation Amphenol Taiwan Corporation		
X.X ±0.20	CHECKED Roger Tsai	09/13/2016					
X.XX ±0.10	APPROVED Roger Tsai	09/13/2016			UNIT mm	SIZE A3	PART No. G88MPXX1XXXEU
X.XXX ±0.10	DWG TYPE CUST DWG	PROJECT CODE PHD			SCALE NA	SHEET 2 OF 4	DWG No. G88MPXX1XXXEU
ANGULAR ±1°			UNLESS OTHERWISE SPECIFIED		REV. B		

This document is the property of Amphenol Corporation and is delivered on the express condition that is not to be disclosed, reproduced or used, in whole or in part, for manufacture or sale by anyone other than Amphenol Corporation without its prior consent, and that no right is granted to disclose or to use any information in this document.

The marking on this product doesn't contain environmental hazardous materials per Material Specification SS-00259 for Sony GP compliant or per directive 2011/65/EU for RoHS compliant.

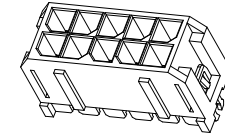


ORIGINAL

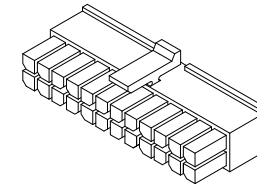


REVISIONS				
SYM	ECN No.	DESCRIPTION	DATE	APPROVED
A	NE-14124	RELEASE FOR RoHS	06/24/2014	Arron Lin
B	NE-16211	ADDED LCP NATURAL/BOARDLOCK/TAIL OPTION	09/13/2016	Roger Tsai

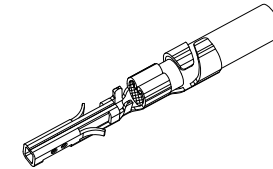
POS.	BOARD-MOUNT P/N	CABLE HOUSING P/N	CABLE TERMINAL P/N	AWG NO.	PLATING OPTIONS
02	G88MP021XXXEU	G88MPH0222CEU	G88MPCX232CEU	AWG#16~18	0: TIN 100u" ; 1: FLASH GOLD
			G88MPCX332CEU	AWG#20~30	2: 15u" GOLD ; 3: 30u" GOLD
04	G88MP041XXXEU	G88MPH0422CEU	G88MPCX232CEU	AWG#16~18	0: TIN 100u" ; 1: FLASH GOLD
			G88MPCX332CEU	AWG#20~30	2: 15u" GOLD ; 3: 30u" GOLD
06	G88MP061XXXEU	G88MPH0622CEU	G88MPCX232CEU	AWG#16~18	0: TIN 100u" ; 1: FLASH GOLD
			G88MPCX332CEU	AWG#20~30	2: 15u" GOLD ; 3: 30u" GOLD
08	G88MP081XXXEU	G88MPH0822CEU	G88MPCX232CEU	AWG#16~18	0: TIN 100u" ; 1: FLASH GOLD
			G88MPCX332CEU	AWG#20~30	2: 15u" GOLD ; 3: 30u" GOLD
10	G88MP101XXXEU	G88MPH1022CEU	G88MPCX232CEU	AWG#16~18	0: TIN 100u" ; 1: FLASH GOLD
			G88MPCX332CEU	AWG#20~30	2: 15u" GOLD ; 3: 30u" GOLD
12	G88MP121XXXEU	G88MPH1222CEU	G88MPCX232CEU	AWG#16~18	0: TIN 100u" ; 1: FLASH GOLD
			G88MPCX332CEU	AWG#20~30	2: 15u" GOLD ; 3: 30u" GOLD
14	G88MP141XXXEU	G88MPH1422CEU	G88MPCX232CEU	AWG#16~18	0: TIN 100u" ; 1: FLASH GOLD
			G88MPCX332CEU	AWG#20~30	2: 15u" GOLD ; 3: 30u" GOLD
16	G88MP161XXXEU	G88MPH1622CEU	G88MPCX232CEU	AWG#16~18	0: TIN 100u" ; 1: FLASH GOLD
			G88MPCX332CEU	AWG#20~30	2: 15u" GOLD ; 3: 30u" GOLD
18	G88MP181XXXEU	G88MPH1822CEU	G88MPCX232CEU	AWG#16~18	0: TIN 100u" ; 1: FLASH GOLD
			G88MPCX332CEU	AWG#20~30	2: 15u" GOLD ; 3: 30u" GOLD
20	G88MP201XXXEU	G88MPH2022CEU	G88MPCX232CEU	AWG#16~18	0: TIN 100u" ; 1: FLASH GOLD
			G88MPCX332CEU	AWG#20~30	2: 15u" GOLD ; 3: 30u" GOLD
22	G88MP221XXXEU	G88MPH2222CEU	G88MPCX232CEU	AWG#16~18	0: TIN 100u" ; 1: FLASH GOLD
			G88MPCX332CEU	AWG#20~30	2: 15u" GOLD ; 3: 30u" GOLD
24	G88MP241XXXEU	G88MPH2422CEU	G88MPCX232CEU	AWG#16~18	0: TIN 100u" ; 1: FLASH GOLD
			G88MPCX332CEU	AWG#20~30	2: 15u" GOLD ; 3: 30u" GOLD



AMPHENOL BOARD-MOUNT



AMPHENOL CABLE HOUSING



AMPHENOL CABLE TERMINAL

NOTE:
 TO ENSURE CURRENT RATING CAPABILITY,
 AMPHENOL HIGH CURRENT PART NUMBERS IN THE
 CHART ARE RECOMMENDED.
 (G88MPH CABLE HOUSING SERIES WITH G88MPC
 CABLE TERMINAL SERIES)

TOLERANCE		APPROVALS		DATE	TITLE		Amphenol®		
X.		DRAWN	Aqua Chou	09/13/2016	G88MP SERIES MICRO POWER PLUS, WAFER 3.00 MM PITCH STRAIGHT DIP, W/KINK BLOCK (TRAY PACKING)		Amphenol Corporation Amphenol Taiwan Corporation		
X.X	±0.30	CHECKED	Roger Tsai	09/13/2016					
X.XX	±0.20	APPROVED	Roger Tsai	09/13/2016					
X.XXX	±0.10								
ANGULAR	±1°								
UNLESS OTHERWISE SPECIFIED		DWG TYPE	CUST DWG	PROJECT CODE	PHD	UNIT	mm	SIZE	A3
						SCALE	NA	SHEET	3 OF 4
						PART No.		G88MPXX1XXXEU	
						DWG No.		G88MPXX1XXXEU	
						REV.		B	

This document is the property of Amphenol Corporation and is delivered on the express condition that is not to be disclosed, reproduced or used, in whole or in part, for manufacture or sale by anyone other than Amphenol Corporation without its prior consent, and that no right is granted to disclose or to use any information in this document.

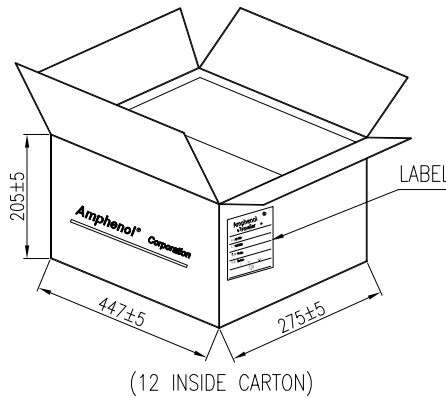
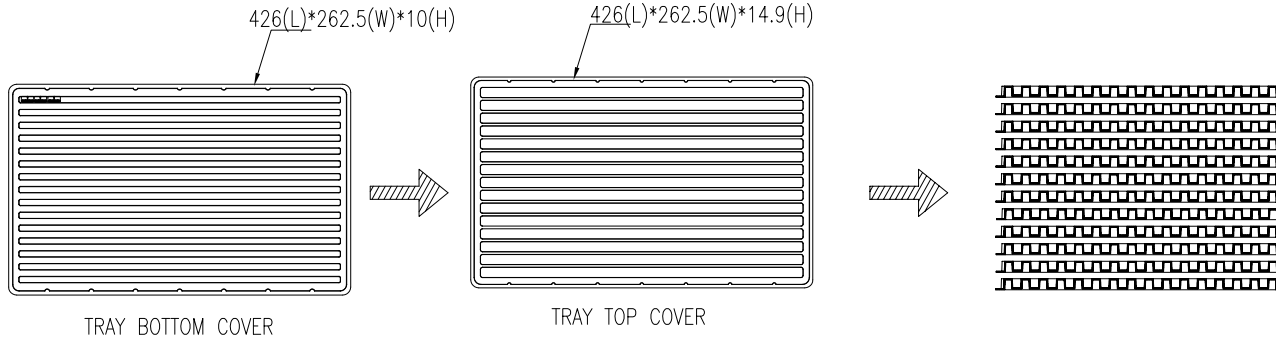
The marking on this product doesn't contain environmental hazardous materials per Material Specification 55-00259 for Sony GP compliant or per directive 2011/65/EU for RoHS compliant.



ORIGINAL



REVISIONS				
SYM	ECN No.	DESCRIPTION	DATE	APPROVED
A	NE-14124	RELEASE FOR RoHS	06/24/2014	Arron Lin
B	NE-16211	ADDED LCP NATURAL/BOARDLOCK/TAIL OPTION	09/13/2016	Roger Tsai



POS	PCS/TRAY	PCS/CARTON
02	900	10800
04	615	7380
06	465	5580
08	375	4500
10	315	3780
12	270	3240
14	240	2880
16	210	2520
18	180	2160
20	165	1980
22	150	1800
24	150	1800

- NOTE:
- MATERIAL : BLACK CONDUCTIVE POLYSTYRENE ALLOY
 - ALL DIMENSIONS MEET EIA-481-C REQUIREMENTS.
 - THICKNESS : 0.80±0.05mm.

TOLERANCE	APPROVALS	DATE	TITLE		Amphenol [®]	
X. ±0.30	DRAWN Aqua Chou	09/13/2016	G88MP SERIES MICRO POWER PLUS, WAFER 3.00 MM PITCH STRAIGHT DIP, W/KINK BLOCK (TRAY PACKING)		Amphenol Corporation Amphenol Taiwan Corporation	
X.X ±0.20	CHECKED Roger Tsai	09/13/2016				
X.XXX ±0.10	APPROVED Roger Tsai	09/13/2016				
ANGULAR ±1°	DWG TYPE CUST DWG	PROJECT CODE PHD	UNIT mm	SIZE A3	PART No. G88MPXX1XXXEU	
UNLESS OTHERWISE SPECIFIED			SCALE NA	SHEET 4 OF 4	DWG No. G88MPXX1XXXEU REV. B	



Компания «ЭлектроПласт» предлагает заключение долгосрочных отношений при поставках импортных электронных компонентов на взаимовыгодных условиях!

Наши преимущества:

- Оперативные поставки широкого спектра электронных компонентов отечественного и импортного производства напрямую от производителей и с крупнейших мировых складов;
- Поставка более 17-ти миллионов наименований электронных компонентов;
- Поставка сложных, дефицитных, либо снятых с производства позиций;
- Оперативные сроки поставки под заказ (от 5 рабочих дней);
- Экспресс доставка в любую точку России;
- Техническая поддержка проекта, помощь в подборе аналогов, поставка прототипов;
- Система менеджмента качества сертифицирована по Международному стандарту ISO 9001;
- Лицензия ФСБ на осуществление работ с использованием сведений, составляющих государственную тайну;
- Поставка специализированных компонентов (Xilinx, Altera, Analog Devices, Intersil, Interpoint, Microsemi, Aeroflex, Peregrine, Syfer, Eurofarad, Texas Instrument, Miteq, Cobham, E2V, MA-COM, Hittite, Mini-Circuits, General Dynamics и др.);

Помимо этого, одним из направлений компании «ЭлектроПласт» является направление «Источники питания». Мы предлагаем Вам помощь Конструкторского отдела:

- Подбор оптимального решения, техническое обоснование при выборе компонента;
- Подбор аналогов;
- Консультации по применению компонента;
- Поставка образцов и прототипов;
- Техническая поддержка проекта;
- Защита от снятия компонента с производства.



Как с нами связаться

Телефон: 8 (812) 309 58 32 (многоканальный)

Факс: 8 (812) 320-02-42

Электронная почта: org@eplast1.ru

Адрес: 198099, г. Санкт-Петербург, ул. Калинина, дом 2, корпус 4, литера А.