

NLASB3157

SPDT, 3 Ω R_{ON} Switch

The NLASB3157 is an advanced CMOS analog switch fabricated with silicon gate CMOS technology. It achieves very low propagation delay and $R_{DS(ON)}$ resistances while maintaining CMOS low power dissipation. Analog and digital voltages that may vary across the full power-supply range (from V_{CC} to GND). This device is a drop in replacement for the NC7SB3157.

The select pin has overvoltage protection that allows voltages above V_{CC} , up to 7.0 V to be present on the pin without damage or disruption of operation of the part, regardless of the operating voltage.

Features

- High Speed: $t_{PD} = 1.0$ ns (Typ) at $V_{CC} = 5.0$ V
- Low Power Dissipation: $I_{CC} = 2.0$ μ A (Max) at $T_A = 25^\circ$ C
- Standard CMOS Logic Levels
- High Bandwidth, Improved Linearity
- Switches Standard NTSC/PAL Video, Audio, SPDIF and HDTV
- May be used for Clock Switching, Data Multiplexing, etc.
- R_{ON} Typical = 3 Ω @ $V_{CC} = 4.5$ V
- Break Before Make Circuitry, Prevents Inadvertent Shorts
- 2 Devices can Switch Balanced Signal Pairs, e.g. LVDS > 200 Mb/s
- Latchup Performance Exceeds 300 mA
- Pin for Pin Drop in for NC7SB3157
- Tiny SC88 and WDFN6 Packages
- ESD Performance:
 - ♦ Human Body Model; > 2000 V;
 - ♦ Machine Model; > 200 V
- NLVASB3157 Features Extended Automotive Temperature Range; -55° C to $+125^\circ$ C (See Appendix A)
- Pb-Free Packages are Available



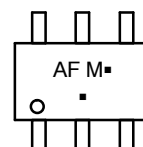
ON Semiconductor®

<http://onsemi.com>

MARKING DIAGRAMS



SC-88
DF SUFFIX
CASE 419B



WDFN6
MT SUFFIX
CASE 506AS



AF, F = Specific Device Code
M = Date Code*
▪ = Pb-Free Package

(Note: Microdot may be in either location)

*Date Code orientation may vary depending upon manufacturing location.

FUNCTION TABLE

| Select Input | Function |
|--------------|-------------------|
| L | B0 Connected to A |
| H | B1 Connected to A |

ORDERING INFORMATION

| Device | Package | Shipping† |
|-----------------|-----------------|--------------------|
| NLASB3157DFT2 | SC-88 | 3000 / Tape & Reel |
| NLASB3157DFT2G | SC-88 (Pb-Free) | 3000 / Tape & Reel |
| NLVASB3157DFT2 | SC-88 | 3000 / Tape & Reel |
| NLVASB3157DFT2G | SC-88 (Pb-Free) | 3000 / Tape & Reel |
| NLASB3157MTR2G | WDFN6 (Pb-Free) | 3000 / Tape & Reel |

†For information on tape and reel specifications, including part orientation and tape sizes, please refer to our Tape and Reel Packaging Specifications Brochure, BRD8011/D.

NLASB3157

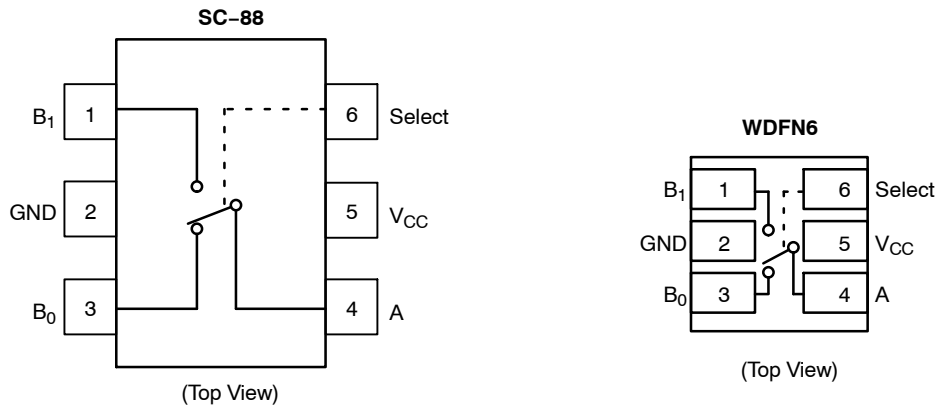


Figure 1. Pin Assignment & Logic Diagram

MAXIMUM RATINGS

| Rating | Symbol | Value | Unit |
|---|------------------|------------------------|------|
| Supply Voltage | V_{CC} | -0.5 to +7.0 | V |
| DC Switch Voltage (Note 1) | V_{IS} | -0.5 to $V_{CC} + 0.5$ | V |
| DC Input Voltage (Note 1) | V_{IN} | -0.5 to + 7.0 | V |
| DC Input Diode Current @ $V_{IN} < 0$ V | I_{IK} | -50 | mA |
| DC Output Current | I_{OUT} | 128 | mA |
| DC V_{CC} or Ground Current | I_{CC}/I_{GND} | +100 | mA |
| Storage Temperature Range | T_{stg} | -65 to +150 | °C |
| Junction Temperature Under Bias | T_J | 150 | °C |
| Junction Lead Temperature (Soldering, 10 Seconds) | T_L | 260 | °C |
| Power Dissipation @ +85°C | P_D | 180 | mW |

Stresses exceeding Maximum Ratings may damage the device. Maximum Ratings are stress ratings only. Functional operation above the Recommended Operating Conditions is not implied. Extended exposure to stresses above the Recommended Operating Conditions may affect device reliability.

1. The input and output negative voltage ratings may be exceeded if the input and output diode current ratings are observed.

RECOMMENDED OPERATING CONDITIONS (Note 2)

| Characteristic | Symbol | Min | Max | Unit |
|--|---------------|--------|-----------|------|
| Supply Voltage Operating | V_{CC} | 1.65 | 5.5 | V |
| Select Input Voltage | V_{IN} | 0 | 5.5 | V |
| Switch Input Voltage | V_{IS} | 0 | V_{CC} | V |
| Output Voltage | V_{OUT} | 0 | V_{CC} | V |
| Operating Temperature | T_A | -55 | +125 | °C |
| Input Rise and Fall Time Control Input $V_{CC} = 2.3$ V–3.6 V Control Input $V_{CC} = 4.5$ V–5.5 V | t_r, t_f | 0 0 | 10 5.0 | ns/V |
| Thermal Resistance | θ_{JA} | - | 350 | °C/W |

2. Select input must be held HIGH or LOW, it must not float.

NLASB3157

DC ELECTRICAL CHARACTERISTICS – NLASB3157

| Symbol | Parameter | Test Conditions | V _{CC} (V) | T _A = +25°C | | | T _A = -40°C to +85°C | | Unit |
|--------------------|---|--|------------------------|------------------------|-------|-----------------|---|---|------|
| | | | | Min | Typ | Max | Min | Max | |
| V _{IH} | HIGH Level Input Voltage | | 1.65–1.95 2.3–5.5 | | | | 0.75 V _{CC} 0.7 V _{CC} | | V |
| V _{IL} | LOW Level Input Voltage | | 1.65–1.95 2.3–5.5 | | | | | 0.25 V _{CC} 0.3 V _{CC} | V |
| I _{IN} | Input Leakage Current | 0 ≤ V _{IN} ≤ 5.5 V | 0–5.5 | | ±0.05 | ±0.1 | | ±1 | μA |
| I _{OFF} | OFF State Leakage Current | 0 ≤ A, B ≤ V _{CC} | 1.65–5.5 | | ±0.05 | ±0.1 | | ±1 | μA |
| R _{ON} | Switch On Resistance (Note 3) | V _{IN} = 0 V, I _O = 30 mA | 4.5 | | 3.0 | | | 7.0 | Ω |
| | | V _{IN} = 2.4 V, I _O = -30 mA | | | 5.0 | | | 12 | |
| | | V _{IN} = 4.5 V, I _O = -30 mA | | | 7.0 | | | 15 | |
| | | V _{IN} = 0 V, I _O = 24 mA | 3.0 | | 4.0 | | | 9.0 | |
| | | V _{IN} = 3 V, I _O = -24 mA | | | 10 | | | 20 | Ω |
| | | V _{IN} = 0 V, I _O = 8 mA | 2.3 | | 5.0 | | | 12 | Ω |
| | | V _{IN} = 2.3 V, I _O = -8 mA | | | 13 | | | 30 | |
| | | V _{IN} = 0 V, I _O = 4 mA | 1.65 | | 6.5 | | | 20 | Ω |
| | | V _{IN} = 1.65 V, I _O = -4 mA | | | 17 | | | 50 | |
| I _{CC} | Quiescent Supply Current All Channels ON or OFF | V _{IN} = V _{CC} or GND I _{OUT} = 0 | 5.5 | | | 1.0 | | 10 | μA |
| | Analog Signal Range | | V _{CC} | 0 | | V _{CC} | 0 | V _{CC} | V |
| R _{RANGE} | On Resistance Over Signal Range (Note 3) (Note 7) | I _A = -30 mA, 0 ≤ V _{Bn} ≤ V _{CC} | 4.5 | | | | | 25 | Ω |
| | | I _A = -24 mA, 0 ≤ V _{Bn} ≤ V _{CC} | 3.0 | | | | | 50 | |
| | | I _A = -8 mA, 0 ≤ V _{Bn} ≤ V _{CC} | 2.3 | | | | | 100 | |
| | | I _A = -4 mA, 0 ≤ V _{Bn} ≤ V _{CC} | 1.65 | | | | | 300 | |
| ΔR _{ON} | On Resistance Match Between Channels (Note 3) (Note 4) (Note 5) | I _A = -30 mA, V _{Bn} = 3.15 | 4.5 | | 0.15 | | | | Ω |
| | | I _A = -24 mA, V _{Bn} = 2.1 | 3.0 | | 0.2 | | | | |
| | | I _A = -8 mA, V _{Bn} = 1.6 | 2.3 | | 0.5 | | | | |
| | | I _A = -4 mA, V _{Bn} = 1.15 | 1.65 | | 0.5 | | | | |
| R _{flat} | On Resistance Flatness (Note 3) (Note 4) (Note 6) | I _A = -30 mA, 0 ≤ V _{Bn} ≤ V _{CC} | 5.0 | | 6.0 | | | | Ω |
| | | I _A = -24 mA, 0 ≤ V _{Bn} ≤ V _{CC} | 3.3 | | 12 | | | | |
| | | I _A = -8 mA, 0 ≤ V _{Bn} ≤ V _{CC} | 2.5 | | 28 | | | | |
| | | I _A = -4 mA, 0 ≤ V _{Bn} ≤ V _{CC} | 1.8 | | 125 | | | | |

3. Measured by the voltage drop between A and B pins at the indicated current through the switch. On Resistance is determined by the lower of the voltages on the two (A or B Ports).

4. Parameter is characterized but not tested in production.

5. ΔR_{ON} = R_{ON} max – R_{ON} min measured at identical V_{CC}, temperature and voltage levels.

6. Flatness is defined as the difference between the maximum and minimum value of On Resistance over the specified range of conditions.

7. Guaranteed by Design.

NLASB3157

AC ELECTRICAL CHARACTERISTICS – NLASB3157

| Symbol | Parameter | Test Conditions | V _{CC} (V) | T _A = +25°C | | | T _A = -40°C to +85°C | | Unit | Figure Number |
|---|--|---|--|------------------------|------------|---------------------------|---------------------------------|-------------------------|------|---------------|
| | | | | Min | Typ | Max | Min | Max | | |
| t _P HL t _P LH | Propagation Delay Bus to Bus (Note 9) | V _I = OPEN | 1.65–1.95 2.3–2.7 3.0–3.6 4.5–5.5 | | | | | 1.2 0.8 0.3 | ns | Figures 2, 3 |
| t _P ZL t _P ZH | Output Enable Time Turn On Time (A to B _n) | V _I = 2 × V _{CC} for t _P ZL V _I = 0 V for t _P ZH | 1.65–1.95 2.3–2.7 3.0–3.6 4.5–5.5 | | | 23 13 6.9 5.2 | 7.0 3.5 2.5 1.7 | 24 14 7.6 5.7 | ns | Figures 2, 3 |
| t _P LZ t _P PHZ | Output Disable Time Turn Off Time (A Port to B Port) | V _I = 2 × V _{CC} for t _P LZ V _I = 0 V for t _P PHZ | 1.65–1.95 2.3–2.7 3.0–3.6 4.5–5.5 | | | 12.5 7.0 5.0 3.5 | 3.0 2.0 1.5 0.8 | 13 7.5 5.3 3.8 | ns | Figures 2, 3 |
| t _B -M | Break Before Make Time (Note 8) | | 1.65–1.95 2.3–2.7 3.0–3.6 4.5–5.5 | | | | 0.5 0.5 0.5 0.5 | | ns | Figure 4 |
| Q | Charge Injection (Note 8) | C _L = 0.1 nF, V _{GEN} = 0 V R _{GEN} = 0 Ω | 5.0 3.3 | | 7.0 3.0 | | | | pC | Figure 5 |
| OIRR | Off Isolation (Note 10) | R _L = 50 Ω f = 10 MHz | 1.65–5.5 | | -57 | | | | dB | Figure 6 |
| Xtalk | Crosstalk | R _L = 50 Ω f = 10 MHz | 1.65–5.5 | | -54 | | | | dB | Figure 7 |
| BW | -3 dB Bandwidth | R _L = 50 Ω | 1.65–5.5 | | 250 | | | | MHz | Figure 10 |
| THD | Total Harmonic Distortion (Note 8) | R _L = 600 Ω 0.5 V _{P-P} f = 600 Hz to 20 kHz | 5.0 | | 0.011 | | | | % | |

CAPACITANCE – NLASB3157 (Note 11)

| Symbol | Parameter | Test Conditions | Typ | Max | Unit | Figure Number |
|---------------------|---|-------------------------|------|-----|------|---------------|
| C _{IN} | Select Pin Input Capacitance | V _{CC} = 0 V | 2.3 | | pF | |
| C _{IO-B} | B Port Off Capacitance | V _{CC} = 5.0 V | 6.5 | | pF | Figure 8 |
| C _{IOA-ON} | A Port Capacitance when Switch is Enabled | V _{CC} = 5.0 V | 18.5 | | pF | Figure 9 |

8. Guaranteed by Design.

9. This parameter is guaranteed by design but not tested. The bus switch contributes no propagation delay other than the RC delay of the On Resistance of the switch and the 50 pF load capacitance, when driven by an ideal voltage source (zero output impedance).

10. Off Isolation = 20 log₁₀ [V_A/V_{Bn}].

11. T_A = +25°C, f = 1 MHz, Capacitance is characterized but not tested in production.

NLASB3157

APPENDIX A

DC ELECTRICAL EXTENDED AUTOMOTIVE TEMPERATURE RANGE CHARACTERISTICS – NLVASB3157

| Symbol | Parameter | Test Conditions | V _{CC} (V) | T _A = +25°C | | | T _A = -55°C to +125°C | | Unit |
|--------------------|--|--|------------------------|------------------------|-------|-----------------|---|---|------|
| | | | | Min | Typ | Max | Min | Max | |
| V _{IH} | HIGH Level Input Voltage | | 1.65–1.95 2.3–5.5 | | | | 0.75 V _{CC} 0.7 V _{CC} | | V |
| V _{IL} | LOW Level Input Voltage | | 1.65–1.95 2.3–5.5 | | | | | 0.25 V _{CC} 0.3 V _{CC} | V |
| I _{IN} | Input Leakage Current | 0 ≤ V _{IN} ≤ 5.5 V | 0–5.5 | | ±0.05 | ±0.1 | | ±1 | μA |
| I _{OFF} | OFF State Leakage Current | 0 ≤ A, B ≤ V _{CC} | 1.65–5.5 | | ±0.05 | ±0.1 | | ±1 | μA |
| R _{ON} | Switch On Resistance (Note 12) | V _{IN} = 0 V, I _O = 30 mA | 4.5 | | 3.0 | | | 8.5 | Ω |
| | | V _{IN} = 2.4 V, I _O = -30 mA | | | 5.0 | | | 13.0 | |
| | | V _{IN} = 4.5 V, I _O = -30 mA | | | 7.0 | | | 15.0 | |
| | | V _{IN} = 0 V, I _O = 24 mA | 3.0 | | 4.0 | | | 11 | |
| | | V _{IN} = 3 V, I _O = -24 mA | | | 10 | | | 20 | |
| | | V _{IN} = 0 V, I _O = 8 mA | 2.3 | | 5.0 | | | 12 | |
| | | V _{IN} = 2.3 V, I _O = -8 mA | | | 13 | | | 30 | |
| | | V _{IN} = 0 V, I _O = 4 mA | 1.65 | | 6.5 | | | 20 | |
| | | V _{IN} = 1.65 V, I _O = -4 mA | | | 17 | | | 50 | |
| I _{CC} | Quiescent Supply Current All Channels ON or OFF | V _{IN} = V _{CC} or GND I _{OUT} = 0 | 5.5 | | | 1.0 | | 10 | μA |
| | Analog Signal Range | | V _{CC} | 0 | | V _{CC} | 0 | V _{CC} | V |
| R _{RANGE} | On Resistance Over Signal Range (Note 12) (Note 14) | I _A = -30 mA, 0 ≤ V _{Bn} ≤ V _{CC} | 4.5 | | | | | 25 | Ω |
| | | I _A = -24 mA, 0 ≤ V _{Bn} ≤ V _{CC} | | | | | | 50 | |
| | | I _A = -8 mA, 0 ≤ V _{Bn} ≤ V _{CC} | 3.0 | | | | | 100 | |
| | | I _A = -4 mA, 0 ≤ V _{Bn} ≤ V _{CC} | 2.3 | | | | | 300 | |
| | | I _A = -4 mA, 0 ≤ V _{Bn} ≤ V _{CC} | 1.65 | | | | | 300 | |

12. Measured by the voltage drop between A and B pins at the indicated current through the switch. On Resistance is determined by the lower of the voltages on the two (A or B Ports).

13. Flatness is defined as the difference between the maximum and minimum value of On Resistance over the specified range of conditions.

14. Guaranteed by Design.

* For ΔR_{ON}, R_{FLAT}, Q, OIRR, Xtalk, BW, THD, and CIN see -40°C to 85°C section.

NLASB3157

APPENDIX A

AC ELECTRICAL EXTENDED AUTOMOTIVE TEMPERATURE RANGE CHARACTERISTICS – NLVASB3157

| Symbol | Parameter | Test Conditions | V _{CC} (V) | T _A = +25°C | | | T _A = -55°C to +125°C | | Unit | Figure Number |
|--------------------------------------|--|--|--|------------------------|-----|---------------------------|----------------------------------|-------------------------|------|-----------------|
| | | | | Min | Typ | Max | Min | Max | | |
| t _{PHL} t _{PLH} | Propagation Delay Bus to Bus (Note 16) | V _I = OPEN | 1.65–1.95 2.3–2.7 3.0–3.6 4.5–5.5 | | | | | 1.2 0.8 0.3 | ns | Figures 2, 3 |
| t _{PZL} t _{PZH} | Output Enable Time Turn On Time (A to B _n) | V _I = 2 × V _{CC} for t _{PZL} V _I = 0 V for t _{PZH} | 1.65–1.95 2.3–2.7 3.0–3.6 4.5–5.5 | | | 23 13 6.9 5.2 | 7.0 3.5 2.5 1.7 | 24 14 9.0 7.0 | ns | Figures 2, 3 |
| t _{PLZ} t _{PHZ} | Output Disable Time Turn Off Time (A Port to B Port) | V _I = 2 × V _{CC} for t _{PLZ} V _I = 0 V for t _{PHZ} | 1.65–1.95 2.3–2.7 3.0–3.6 4.5–5.5 | | | 12.5 7.0 5.0 3.5 | 3.0 2.0 1.5 0.8 | 13 7.5 6.5 5.0 | ns | Figures 2, 3 |
| t _{B-M} | Break Before Make Time (Note 15) | | 1.65–1.95 2.3–2.7 3.0–3.6 4.5–5.5 | | | | 0.5 0.5 0.5 0.5 | | ns | Figure 4 |

15. Guaranteed by Design.

16. This parameter is guaranteed by design but not tested. The bus switch contributes no propagation delay other than the RC delay of the On Resistance of the switch and the 50 pF load capacitance, when driven by an ideal voltage source (zero output impedance).

* For ΔR_{ON} , R_{FLAT} , Q, OIRR, Xtalk, BW, THD, and CIN see -40°C to 85°C section.

NLASB3157

AC LOADING AND WAVEFORMS

NOTE: Input driven by 50 Ω source terminated in 50 Ω
 NOTE: C_L includes load and stray capacitance
 NOTE: Input PRR = 1.0 MHz; t_W = 500 ns

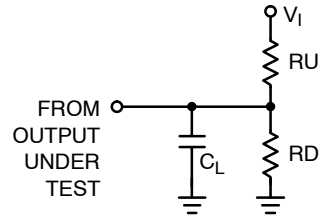


Figure 2. AC Test Circuit

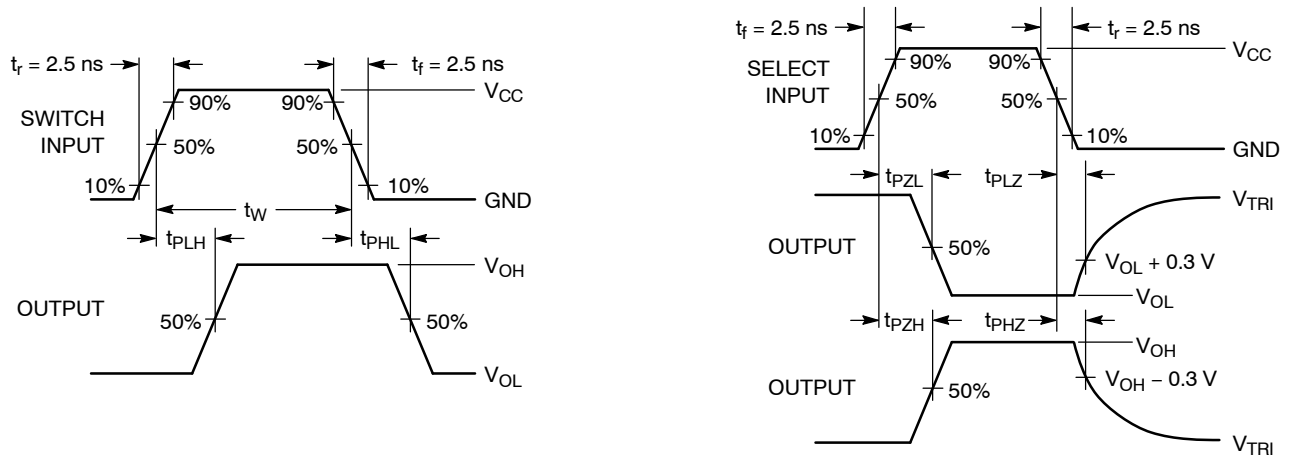


Figure 3. AC Waveforms



Figure 4. Break Before Make Interval Timing

AC LOADING AND WAVEFORMS

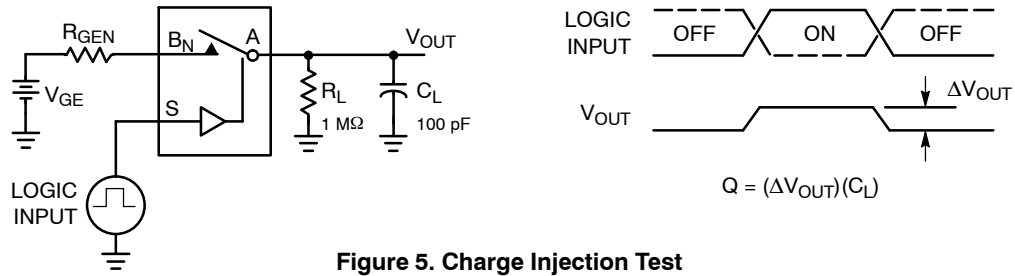


Figure 5. Charge Injection Test

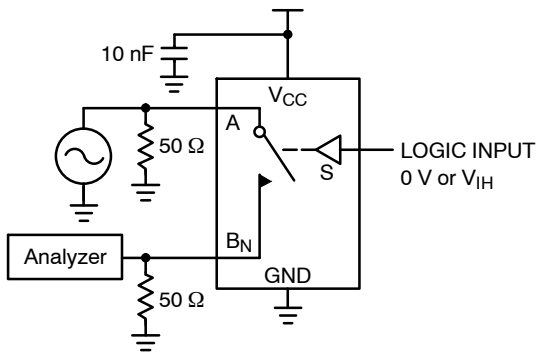


Figure 6. Off Isolation

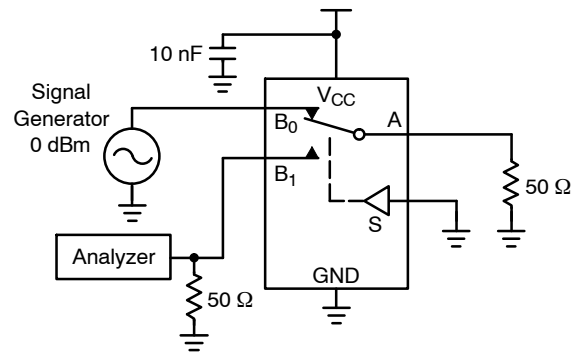


Figure 7. Crosstalk

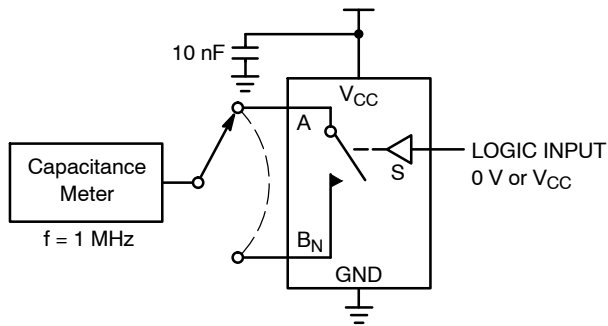


Figure 8. Channel Off Capacitance

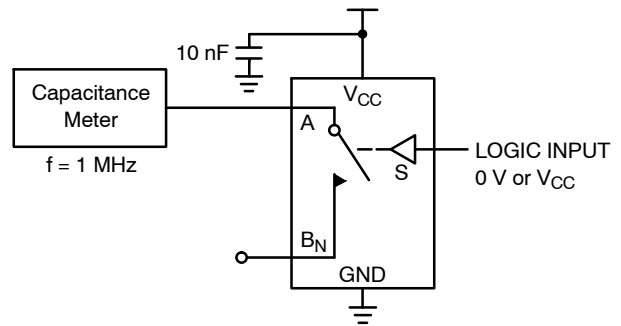


Figure 9. Channel On Capacitance

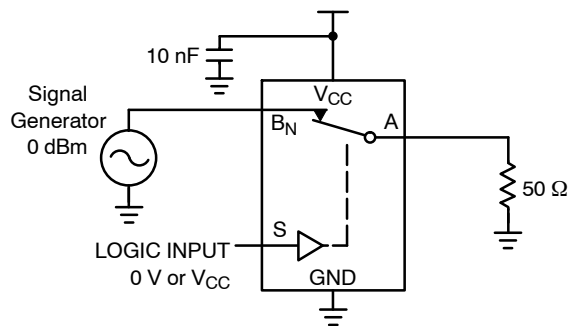
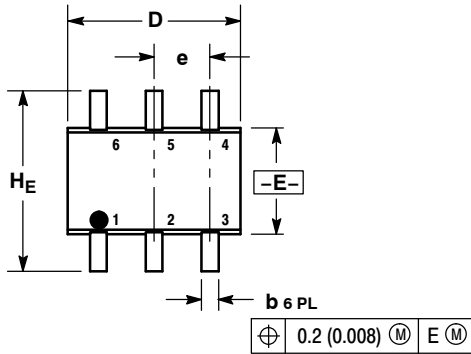


Figure 10. Bandwidth

NLASB3157

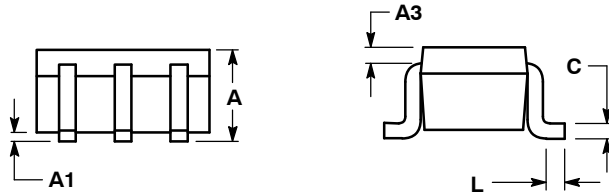
PACKAGE DIMENSIONS

SC-88/SOT-363/SC-70
 DF SUFFIX
 CASE 419B-02
 ISSUE W

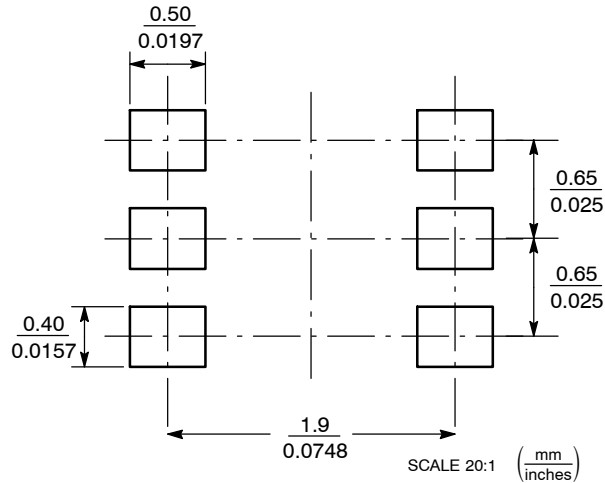


- NOTES:
 1. DIMENSIONING AND TOLERANCING PER ANSI Y14.5M, 1982.
 2. CONTROLLING DIMENSION: INCH.
 3. 419B-01 OBSOLETE, NEW STANDARD 419B-02.

| DIM | MILLIMETERS | | | INCHES | | |
|-----|-------------|------|------|-----------|-------|-------|
| | MIN | NOM | MAX | MIN | NOM | MAX |
| A | 0.80 | 0.95 | 1.10 | 0.031 | 0.037 | 0.043 |
| A1 | 0.00 | 0.05 | 0.10 | 0.000 | 0.002 | 0.004 |
| A3 | 0.20 REF | | | 0.008 REF | | |
| b | 0.10 | 0.21 | 0.30 | 0.004 | 0.008 | 0.012 |
| C | 0.10 | 0.14 | 0.25 | 0.004 | 0.005 | 0.010 |
| D | 1.80 | 2.00 | 2.20 | 0.070 | 0.078 | 0.086 |
| E | 1.15 | 1.25 | 1.35 | 0.045 | 0.049 | 0.053 |
| e | 0.65 BSC | | | 0.026 BSC | | |
| L | 0.10 | 0.20 | 0.30 | 0.004 | 0.008 | 0.012 |
| HE | 2.00 | 2.10 | 2.20 | 0.078 | 0.082 | 0.086 |



SOLDERING FOOTPRINT*

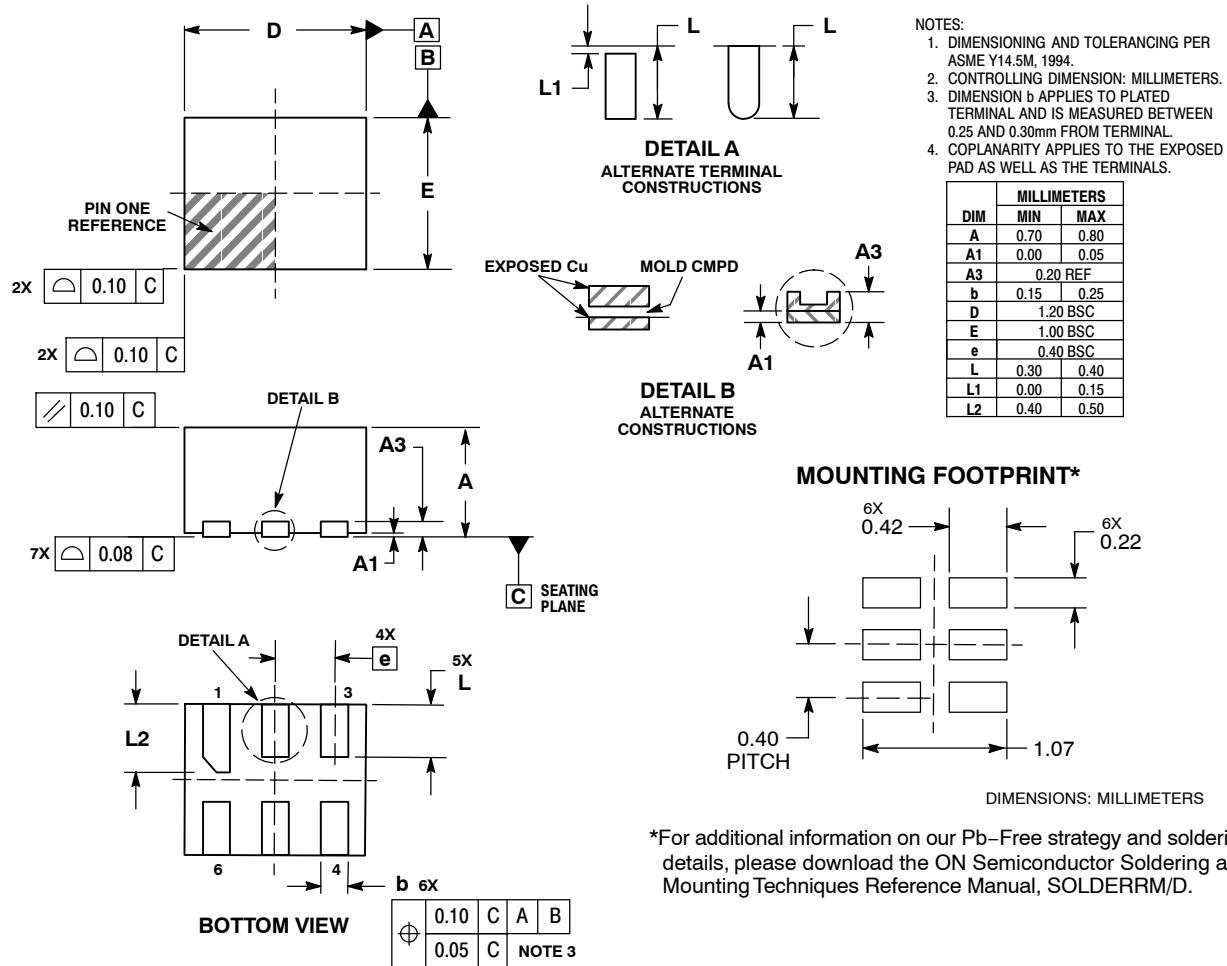


*For additional information on our Pb-Free strategy and soldering details, please download the ON Semiconductor Soldering and Mounting Techniques Reference Manual, SOLDERRM/D.

NLASB3157

PACKAGE DIMENSIONS

WDFN6 1.2x1.0, 0.4P
CASE 506AS-01
ISSUE C



*For additional information on our Pb-Free strategy and soldering details, please download the ON Semiconductor Soldering and Mounting Techniques Reference Manual, SOLDERRM/D.

ON Semiconductor and are registered trademarks of Semiconductor Components Industries, LLC (SCILLC). SCILLC reserves the right to make changes without further notice to any products herein. SCILLC makes no warranty, representation or guarantee regarding the suitability of its products for any particular purpose, nor does SCILLC assume any liability arising out of the application or use of any product or circuit, and specifically disclaims any and all liability, including without limitation special, consequential or incidental damages. "Typical" parameters which may be provided in SCILLC data sheets and/or specifications can and do vary in different applications and actual performance may vary over time. All operating parameters, including "Typicals" must be validated for each customer application by customer's technical experts. SCILLC does not convey any license under its patent rights nor the rights of others. SCILLC products are not designed, intended, or authorized for use as components in systems intended for surgical implant into the body, or other applications intended to support or sustain life, or for any other application in which the failure of the SCILLC product could create a situation where personal injury or death may occur. Should Buyer purchase or use SCILLC products for any such unintended or unauthorized application, Buyer shall indemnify and hold SCILLC and its officers, employees, subsidiaries, affiliates, and distributors harmless against all claims, costs, damages, and expenses, and reasonable attorney fees arising out of, directly or indirectly, any claim of personal injury or death associated with such unintended or unauthorized use, even if such claim alleges that SCILLC was negligent regarding the design or manufacture of the part. SCILLC is an Equal Opportunity/Affirmative Action Employer. This literature is subject to all applicable copyright laws and is not for resale in any manner.

PUBLICATION ORDERING INFORMATION

LITERATURE FULFILLMENT:
Literature Distribution Center for ON Semiconductor
P.O. Box 5163, Denver, Colorado 80217 USA
Phone: 303-675-2175 or 800-344-3860 Toll Free USA/Canada
Fax: 303-675-2176 or 800-344-3867 Toll Free USA/Canada
Email: orderlit@onsemi.com

N. American Technical Support: 800-282-9855 Toll Free
USA/Canada
Europe, Middle East and Africa Technical Support:
Phone: 421 33 790 2910
Japan Customer Focus Center
Phone: 81-3-5773-3850

ON Semiconductor Website: www.onsemi.com
Order Literature: <http://www.onsemi.com/orderlit>

For additional information, please contact your local Sales Representative



Компания «ЭлектроПласт» предлагает заключение долгосрочных отношений при поставках импортных электронных компонентов на взаимовыгодных условиях!

Наши преимущества:

- Оперативные поставки широкого спектра электронных компонентов отечественного и импортного производства напрямую от производителей и с крупнейших мировых складов;
- Поставка более 17-ти миллионов наименований электронных компонентов;
- Поставка сложных, дефицитных, либо снятых с производства позиций;
- Оперативные сроки поставки под заказ (от 5 рабочих дней);
- Экспресс доставка в любую точку России;
- Техническая поддержка проекта, помощь в подборе аналогов, поставка прототипов;
- Система менеджмента качества сертифицирована по Международному стандарту ISO 9001;
- Лицензия ФСБ на осуществление работ с использованием сведений, составляющих государственную тайну;
- Поставка специализированных компонентов (Xilinx, Altera, Analog Devices, Intersil, Interpoint, Microsemi, Aeroflex, Peregrine, Syfer, Eurofarad, Texas Instrument, Miteq, Cobham, E2V, MA-COM, Hittite, Mini-Circuits, General Dynamics и др.);

Помимо этого, одним из направлений компании «ЭлектроПласт» является направление «Источники питания». Мы предлагаем Вам помощь Конструкторского отдела:

- Подбор оптимального решения, техническое обоснование при выборе компонента;
- Подбор аналогов;
- Консультации по применению компонента;
- Поставка образцов и прототипов;
- Техническая поддержка проекта;
- Защита от снятия компонента с производства.



Как с нами связаться

Телефон: 8 (812) 309 58 32 (многоканальный)

Факс: 8 (812) 320-02-42

Электронная почта: org@eplast1.ru

Адрес: 198099, г. Санкт-Петербург, ул. Калинина, дом 2, корпус 4, литера А.