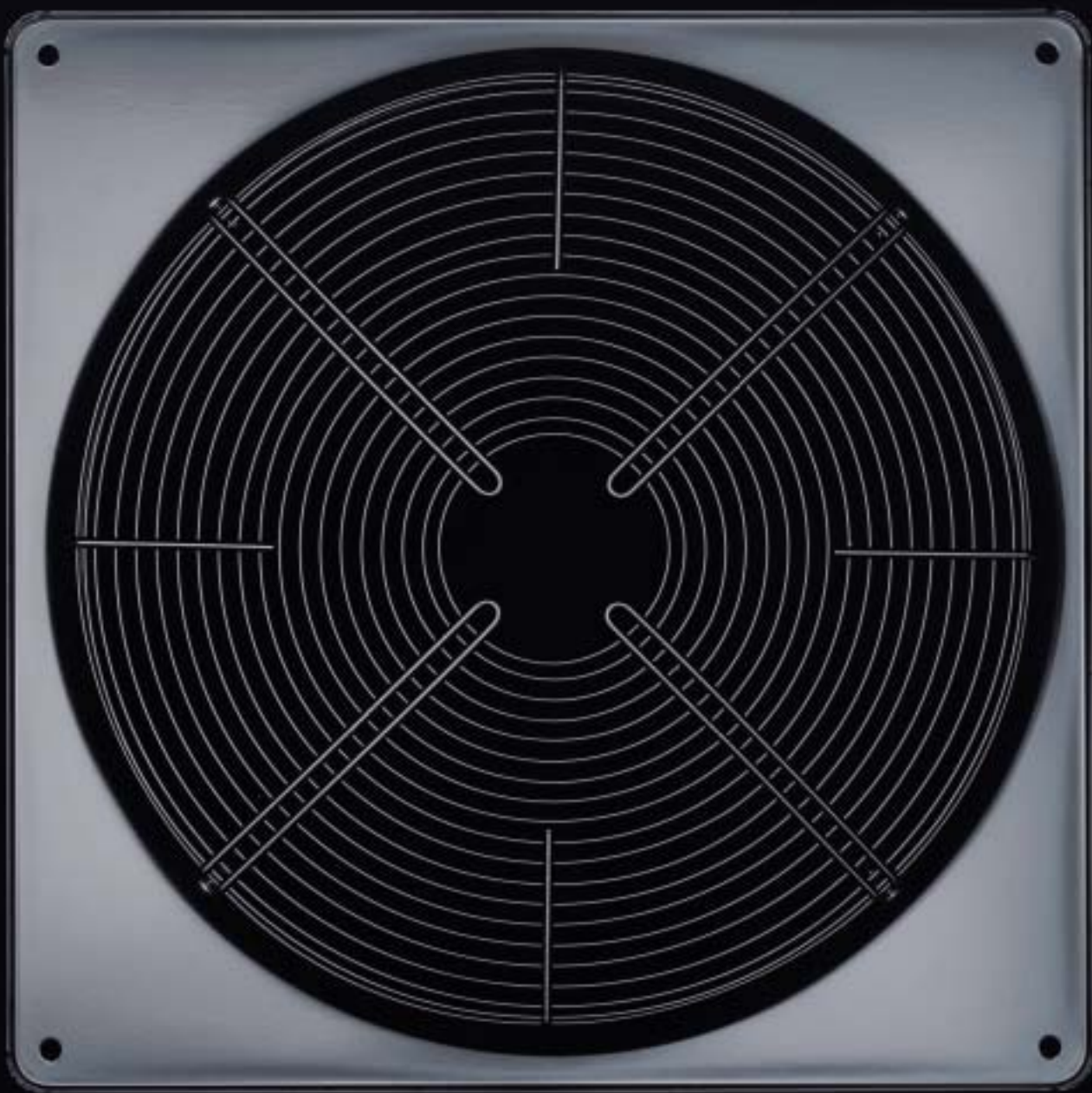
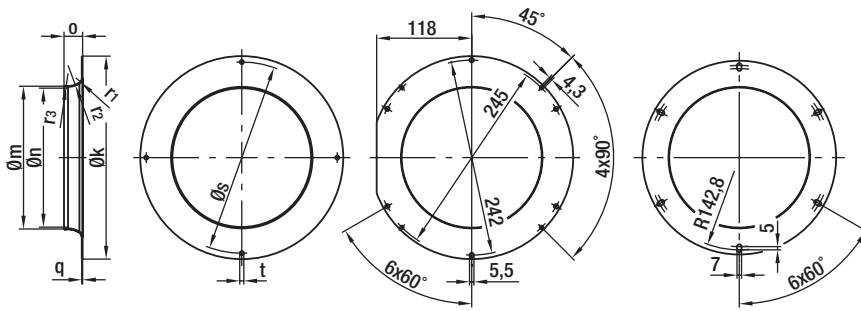


Accessories

Inlet rings	340
Guard grilles	342
Wall rings	352
Lead connections, capacitors, terminal boxes	355
Air filters, anti-vibration mount	358



Accessories



- Material: galvanised sheet steel

ebm-papst • Muldfingen

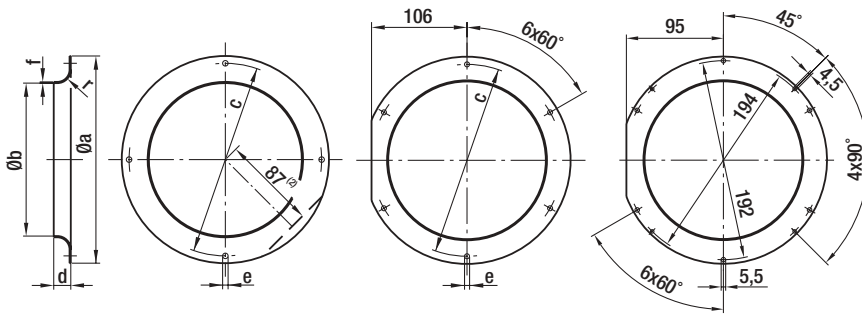
Inlet rings for backward curved centrifugal fans

Part no.	Size ⁽¹⁾	AC/EC	Vers.	k	m	n	o	q	r ₁	r ₂	r ₃	s	t
96120-2-4013	120 (K)	EC	1	146	94,4	---	18,0	0,80	16,0	---	---	134	4x4,5
09566-2-4013	133 (K)	AC/EC	1	129	87,0	---	13,0	1,00	8,0	---	---	118	4x4,5
09576-2-4013	175 / 190 (K)	AC/EC	1	170	125,5	---	14,0	1,25	10,0	---	---	158	4x4,5
09609-2-4013	220 (K)	AC/EC	2	252	155,0	---	21,0	0,80	22,0	---	---	---	---
96358-2-4013	225 (K)	AC/EC	1	223	146,0	---	28,0	1,50	25,0	---	---	210	4x4,5
96359-2-4013	250 (K)(S)	AC/EC	1	255	164,5	---	31,0	1,50	28,0	---	---	240	4x4,5
96360-2-4013	270 / 280 (S)	AC/EC	1	280	182,5	---	35,0	1,50	31,0	---	---	260	4x4,5
97512-2-4013	310 (K)	AC/EC	3	300	192,0	---	53,0	1,00	30,0	60,0	---	---	---
31050-2-4013	310 (A)	AC/EC	1	300	211,0	208,1	48,0	1,25	18,0	55,5	35,0	280	4x4,5
31051-2-4013	310 ⁽²⁾ (A)	AC/EC	1	300	211,0	209,2	27,5	1,25	10,0	32,0	20,0	280	4x4,5
51357-2-4013	330 / 355 (K)	AC	1	350	224,0	---	60,0	1,50	54,0	28,0	---	325	4x4,5
35560-2-4013	355 (A)	AC/EC	1	350	240,0	236,4	60,0	1,50	22,5	70,0	44,0	325	4x4,5
35561-2-4013	355 ⁽²⁾ (A)	AC/EC	1	350	240,0	238,0	30,0	1,50	11,0	35,0	22,0	325	4x4,5
54476-2-4013	400 (A)	AC/EC	1	370	257,0	---	66,0	1,50	22,0	50,0	90,0	345	4x4,5
54478-2-4013	450 (A)	AC	1	413	287,0	---	71,0	1,50	25,0	55,0	100,0	390	6x9
54480-2-4013	500 (A)	AC	1	456	323,0	---	79,0	1,50	28,0	65,0	115,0	430	6x9
63072-2-4013	500 (A)	EC	1	470	342,0	337,0	75,0	2,00	28,0	87,0	55,0	445	6x9
63071-2-4013	560 (A)	EC	1	515	385,0	380,0	82,0	2,00	30,0	95,0	60,0	490	6x9
63070-2-4013	630 (A)	EC	1	634	433,0	427,0	98,5	2,00	37,0	14,0	72,0	600	6x10,5

subject to alterations

⁽¹⁾ Size with key for impeller material: (K) = plastic, (S) = sheet steel, (A) = aluminium

⁽²⁾ Short inlet ring



- Material: galvanised sheet steel

ebm-papst • Mulfingen

Inlet rings for forward curved centrifugal fans

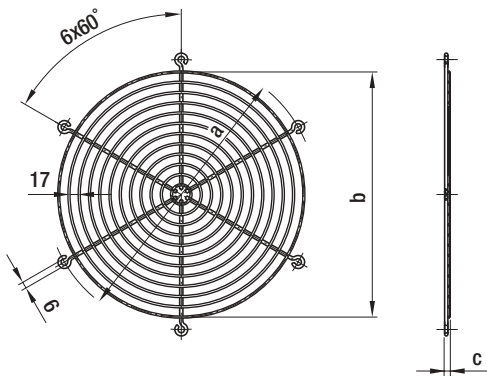
Part no.	Size	Vers.	a	b	c	d	e	f	r
09560-2-4013	076 / 085 ⁽¹⁾	1	92	63,4	84	6	3x4,2	0,80	6,8
09563-2-4013	097 ⁽¹⁾	1	116	80,0	108	10	3x4,5	0,80	10,0
09566-2-4013	108	1	129	87,0	118	13	4x4,5	1,00	8,0
09569-2-4013	120	1	142	100,0	132	9	4x4,5	1,00	8,0
09572-2-4013	133	1	150	112,0	142	12	4x4,5	1,00	10,0
09576-2-4013	140 / 146	1	170	125,5	158	14	4x4,5	1,25	10,0
09588-2-4013	160	1 ⁽²⁾	185	130,0	175	17	4x4,5	0,75	12,0
09597-2-4013	180	3	210	149,0	---	28	---	1,25	25,0
09605-2-4013	200 / 225	2	230	175,0	213	24	6x5,5	1,25	20,0

subject to alterations

⁽¹⁾ 3 drilled holes staggered by 120°

⁽²⁾ Dimension 87 only with 09588-2-4013

Accessories



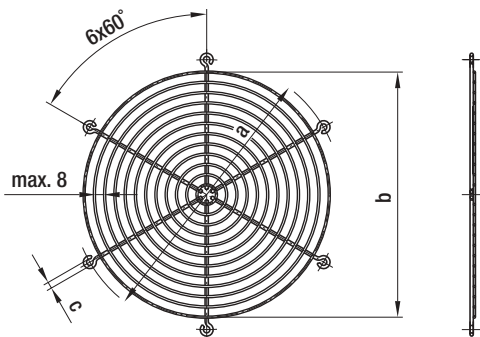
- **Material:** ⁽¹⁾galvanised steel wire or ⁽²⁾phosphatized steel wire, plastic coated in RAL no. 9005, black

ebm-papst • Mulfingen

Guard grilles (e.g. for backward curved centrifugal fans)

Part no.	Size	a	b	c
65152-2-4039 ⁽¹⁾	250	250	172	5
53526-2-4039 ⁽¹⁾	280 / 310	290	210	10
54329-2-4039 ⁽²⁾	355	328	286	10
54328-2-4039 ⁽²⁾	400	366	286	10

subject to alterations



- **Material:** phosphatized steel wire, plastic coated in RAL no. 9005, black

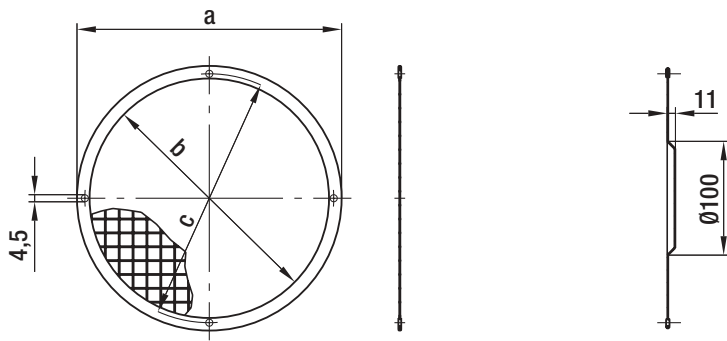
ebm-papst • Mulfingen

Guard grilles (e.g. for axial fans)

Part no.	Size	a	b	c
09513-2-4039	200	250	227	6
09518-2-4039	250	295	265	7
09532-2-4039	300	380	323	9

subject to alterations

Accessories



⁽²⁾ Size 160

- **Material:** welded grille made of galvanised steel, frame made of tinned sheet iron 0.3 mm thick

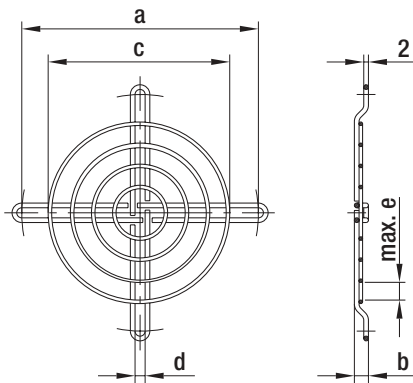
ebm-papst • Mulfingen

Guard grilles for blowers with single inlet

Part no.	Size	a	b	c
09489-2-4039	076/085 ⁽¹⁾	90	74	84
09490-2-4039	108	126	110	118
09494-2-4039	120	140	124	132
09492-2-4039	140/146	168	152	158
09503-2-4039	160 ⁽²⁾	183	170	175
09493-2-4039	180	205	189	194

subject to alterations

⁽¹⁾ 3 drilled holes staggered by 120°



- **Material:** ⁽¹⁾sheet steel, plastic coated, silver-metallic gloss or ⁽²⁾galvanised sheet steel, chromatised in blue

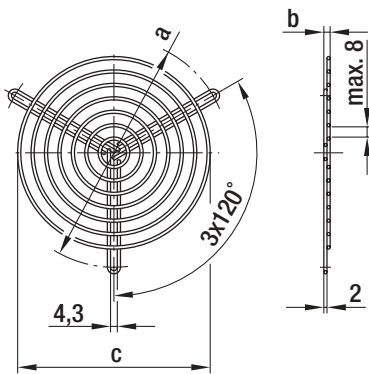
ebm-papst • Mulfingen

Guard grilles for blowers with single inlet

Part no.	Size	a	b	c	d	e
09603-2-4039 ⁽¹⁾	076/085	101	6,0	79	4,3	8
98214-2-4039 ⁽¹⁾	108	120	3,5	88	4,3	8
25028-2-4039 ⁽²⁾	140/146	162	8,5	139	4,3	8
17729-2-4039 ⁽²⁾	160	175	3,5	139	4,6	7

subject to alterations

Accessories



- **Material:** phosphatized steel wire, plastic coated in ⁽¹⁾RAL no. 9005, black or ⁽²⁾silver-metallic gloss

ebm-papst · Mulfingen

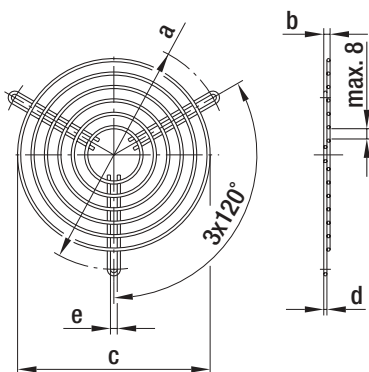
Guard grilles for blowers with dual inlet

Part no.	Size	a	b	c
83319-2-4039 ⁽²⁾	097 ⁽³⁾	96	3,5	71
09485-2-4039 ⁽²⁾	097 ⁽⁴⁾	114	3,5	88
09500-2-4039 ⁽²⁾	133 / 146	145	4,0	122
31003-2-4039 ⁽²⁾	180	174	9,5	192
95644-2-4039 ⁽¹⁾	200	250	5,0	206

subject to alterations

⁽³⁾ for D2E097-CB

⁽⁴⁾ for D2E097-B*



- **Material:** phosphatized steel wire, plastic coated, silver-metallic gloss

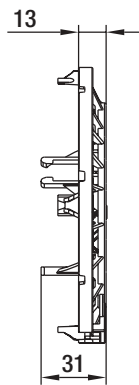
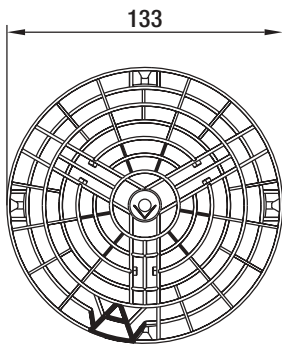
ebm-papst · Mulfingen

Guard grilles for blowers with dual inlet (EW sheet steel support)

Part no.	Size	a	b	c	d	e
35000-2-4039	160	182	12	144	2,4	4,5
62226-2-4039	180	192	9	173	3,0	5,2
62227-2-4039	200	213	9	190	3,0	5,2
62228-2-4039	225	242	9	222	3,0	5,2
25825-2-4039	250	275	9	255	3,0	5,2

subject to alterations

Accessories



- **Material:** Ultramid A3X2G5, black
- **Special feature:** triangular, raised contour
- **Suitable for:** D2E 140 -HR
D2E 146 -HR
D2E 146 -HS
D2E 146 -HT
D4E 146 -LV
K4E 146 -AB
D4E 160 -HN

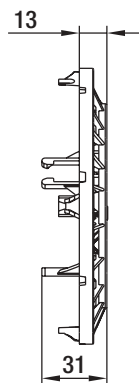
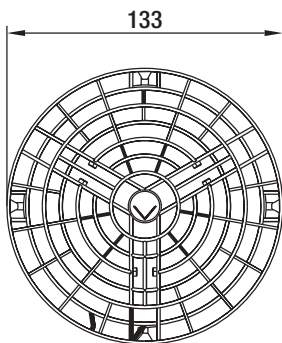
ebm-papst • Mulfingen

Guard grilles for blowers with dual inlet with plastic housing (cable exit side of blower)

Part no.

34265-2-2929

subject to alterations



- **Material:** Ultramid A3X2G5, black
- **Special feature:** outmost two rings are closed
- **Suitable for:** D2E 140 -HR
D2E 146 -HR
D2E 146 -HS
D2E 146 -HT
D4E 146 -LV
K4E 146 -AB
D4E 160 -HN

ebm-papst • Mulfingen

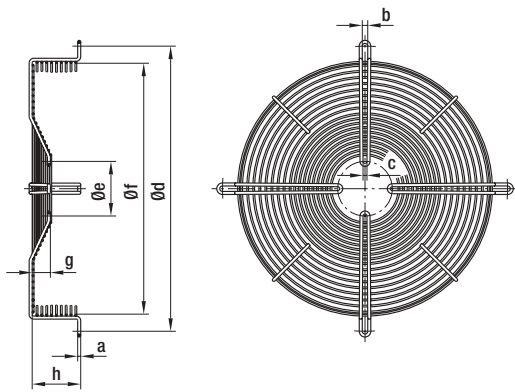
Guard grilles for blowers with dual inlet with plastic housing (side of blower opposite cable exit)

Part no.

38182-2-2929

subject to alterations

Accessories



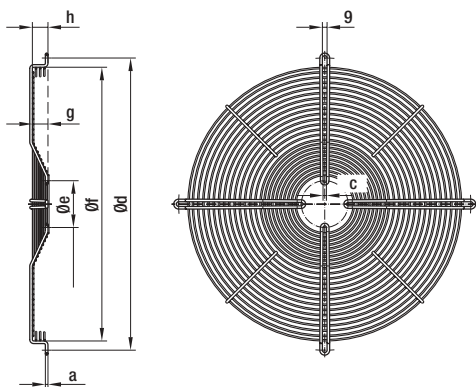
- **Material:** phosphatized steel wire, plastic coated in RAL no. 9005, black
- **Note:** Please consult your engineer for relevant part numbers of complete fans.

ebm-papst • Muldingen

Basket guard grilles for S-Range axial fans

Part no.	Size	AC/EC	AC motor	EC motor	a	b	c	d	e	f	g	h
19110-2-4039	200	AC/EC	068	074	3,9	6,5	4,3	260	58	229,0	---	39
19111-2-4039	250	AC/EC	068	074	3,9	6,5	4,5	300	58	271,0	---	38
19112-2-4039	250	AC/EC	068	074	3,9	6,5	4,5	300	58	271,0	---	53
64555-2-4039	300	AC/EC	068	074	4,5	4,3	4,3	360	58	329,5	---	50
64556-2-4039	300	AC	068	---	4,5	4,3	4,3	360	58	329,5	26,0	50
64557-2-4039	300	AC	074	---	5,0	6,5	6,5	330	90	324,0	---	50
64558-2-4039	315	AC	068	---	4,5	6,5	4,5	375	58	336,5	30,0	80
64559-2-4039	330	AC	068	---	4,5	6,5	4,5	410	58	354,5	30,0	80
64560-2-4039	350	AC	074	---	5,0	6,5	6,5	422	90	380,0	30,0	80
64379-2-4039	400	AC/EC	074	084	5,0	9,0	6,5	470	90	420,0	30,0	80
64536-2-4039	420	AC/EC	074	084	5,0	9,0	6,5	502	90	458,0	30,0	80
64378-2-4039	450	AC/EC	074	084	5,0	9,0	6,5	522	90	482,0	30,0	80
25938-2-4039	450	AC	094	---	7,0	9,0	7,0	515	115	472,0	16,5	80

subject to alterations



- **Material:** phosphatized steel wire, plastic coated in RAL no. 9005, black

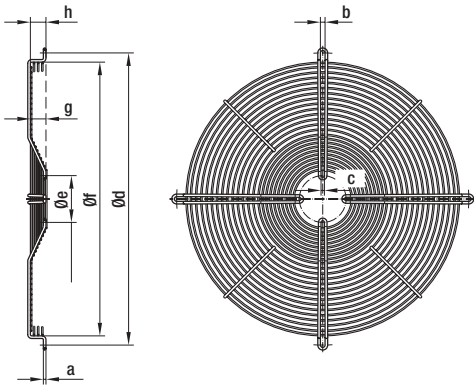
ebm-papst • Muldingen

Basket guard grilles for S-Range axial fans (for mounting on square wall rings with long nozzle)

Part no.	Size	AC/EC	AC motor	EC motor	a	c	d	e	f	g	h
63978-2-4039	420 / 450	AC/EC	074	084	5	6,5	562	90	526	30,0	30,0
25950-2-4039	450	AC	094	---	7	7,0	560	115	523	16,5	38,0

subject to alterations

Accessories



- **Material:** phosphatized steel wire, plastic coated in RAL no. 9005, black
- **Note:** Please consult your engineer for relevant part numbers of complete fans.

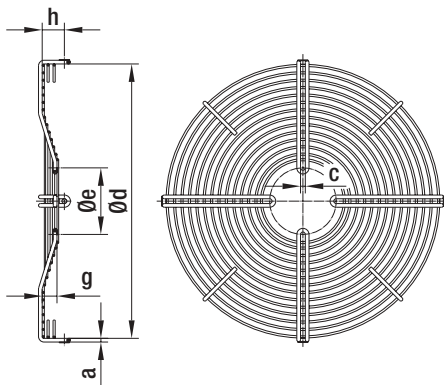
ebm-papst • Mulfingen

Guard grilles for S-Range axial fans

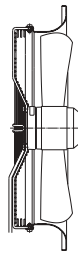
Part no.	Size	AC/EC	AC motor	EC motor	a	b	c	d	e	f	g	h
18656-2-4039	200	AC	068	---	3,9	4,6	4,6	245	58	---	---	---
62622-2-4039	200	EC	---	074	3,9	4,6	4,6	245	58	---	---	---
09414-2-4039	250	AC	068	---	3,9	4,6	4,6	290	58	---	---	---
62623-2-4039	250	EC	---	074	3,9	4,6	4,6	290	58	---	---	---
09415-2-4039	300	AC	068	---	3,9	4,6	4,6	360	58	---	---	---
62624-2-4039	300	EC	---	074	3,9	4,6	4,6	360	58	---	---	---
72320-2-4039	300	AC	068	---	4,5	4,3	4,3	360	58	329	26,0	26,0
64052-2-4039	300	AC	074	---	5,0	6,5	6,5	360	90	---	---	---
64489-2-4039	315	AC	068	---	4,5	6,4	4,3	375	58	336	30,0	30,0
64490-2-4039	330	AC	068	---	4,5	6,4	4,3	410	58	371	30,0	30,0
64051-2-4039	350	AC	074	---	5,0	6,5	6,5	422	90	374	30,0	30,0
64538-2-4039	400 / 420	AC	074	084	5,0	9,0	6,5	502	90	452	30,0	30,0
64539-2-4039	450	AC	074	084	5,0	9,0	6,5	522	90	476	30,0	30,0
25950-2-4039	450	AC	094	---	7,0	9,0	7,0	560	115	517	16,5	21,5

subject to alterations

Accessories



Possible mounting



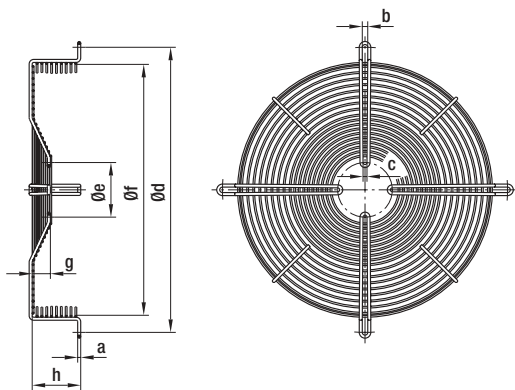
- **Material:** phosphatized steel wire, plastic coated in RAL no. 9005, black
- **Wall rings:** see page 353
- **Note:** Please consult your engineer for relevant part numbers of complete fans.

ebm-papst • Mulfingen

Guard grilles for S-Range axial fans (for mounting on the square wall ring with long nozzle, but directly on the nozzle side)

Part no.	Size	AC/EC	AC motor	EC motor	a	c	d	e	g	h
35802-2-4039	350	AC	074	---	5	6,5	371	90	20,0	30
35803-2-4039	400	AC	074 (4-pole)	---	5	6,5	413	90	---	16
35804-2-4039	400	AC/EC	074 (6-pole)	084	5	6,5	413	90	30,0	28
35805-2-4039	450	AC	074 (4-pole)	---	5	6,5	466	90	---	25
35806-2-4039	450	AC/EC	074 (6-pole)	084	5	6,5	466	90	20,0	30
26510-2-4039	450	AC	094	---	7	7,0	466	115	16,5	41

subject to alterations



- **Material:** phosphatized steel wire, plastic coated in RAL no. 9005, black
- **Note:** Please consult your engineer for relevant part numbers of complete fans.

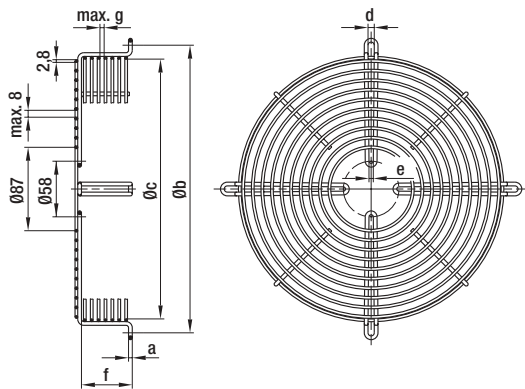
ebm-papst • Mulfingen

Basket guard grilles for K-Range axial fans

Part no.	Size	AC/EC	AC motor	EC motor	a	b	c	d	e	f	g	h
66024-2-4039	250	AC/EC	068	074	4,5	4,3	4,3	300	58	271	26	60
77709-2-4039	300	AC/EC	068	074	3,9	4,5	4,5	360	58	340	26	26
19115-2-4039	350	AC/EC	068	074	4,5	6,5	4,5	422	58	380	---	54
62229-2-4039	360	AC/EC	068	074	4,5	6,3	4,3	400	58	357	12	16
64378-2-4039	450	AC/EC	074	084	5,0	9,0	6,5	522	90	476	30	80
64539-2-4039	450	AC/EC	074	084	5,0	9,0	6,5	522	90	476	30	30

subject to alterations

Accessories



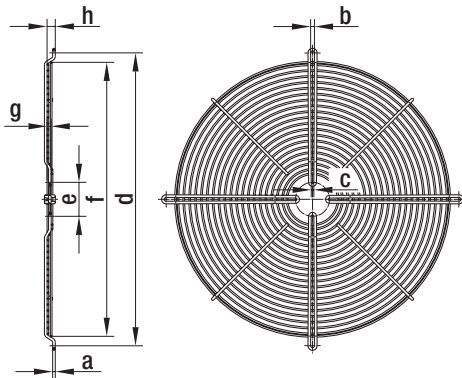
- **Material:** phosphatized steel wire, plastic coated in RAL no. 9005, black
- **Note:** Please consult your engineer for relevant part numbers of complete fans.

ebm-papst • Mulfingen

Basket guard grilles for A-Range axial fans

Part no.	Size	a	b	c	d	e	f	g
19110-2-4039	200	3,9	260	229	6,5	4,3	39	6
19111-2-4039	250	3,9	300	271	6,5	4,5	38	6
19112-2-4039	250	3,9	300	271	6,5	4,5	53	6
19113-2-4039	300	3,9	360	327	6,5	4,5	35	6
19114-2-4039	350	4,5	422	375	6,5	4,5	72	6
19115-2-4039	350	4,5	422	380	6,5	4,5	54	6
63406-2-4039	400	4,5	470	428	9,0	4,5	67	8

subject to alterations



- **Material:** phosphatized steel wire, plastic coated in RAL no. 9005, black
- **Note:** Please consult your engineer for relevant part numbers of complete fans.

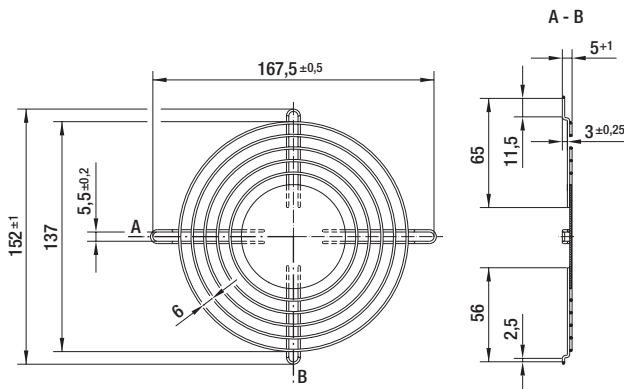
ebm-papst • Mulfingen

Guard grilles for A-Range axial fans

Part no.	Size	a	b	c	d	e	f	g	h
18656-2-4039	200	3,9	4,6	4,6	245	58	195,0	---	---
09414-2-4039	250	3,9	4,6	4,6	290	58	247,0	---	---
09415-2-4039	300	3,9	4,6	4,6	360	58	300,0	---	---
19699-2-4039	315	4,5	6,3	4,3	375	58	327,0	---	3,5
69667-2-4039	350	4,5	6,5	4,5	422	58	387,0	---	6,5
19117-2-4039	400	4,5	6,3	4,3	500	58	467,5	7	14,0

subject to alterations

Accessories



- **Material:** galvanised steel wire, chromatised in blue

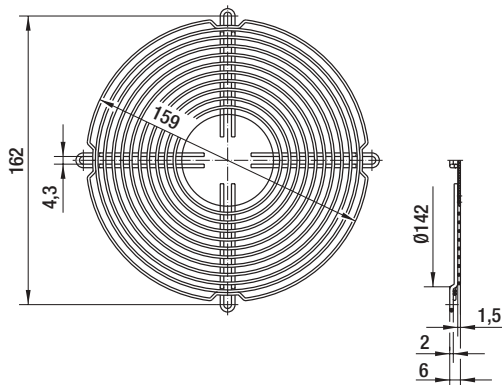
ebm-papst • Mulfingen

Guard grille for axial fans

Part no.	Size
----------	------

51019-2-4039	130
--------------	-----

subject to alterations



- **Material:** galvanised steel wire, chromatised in blue (alternatively: nickel-plated)

ebm-papst • Mulfingen

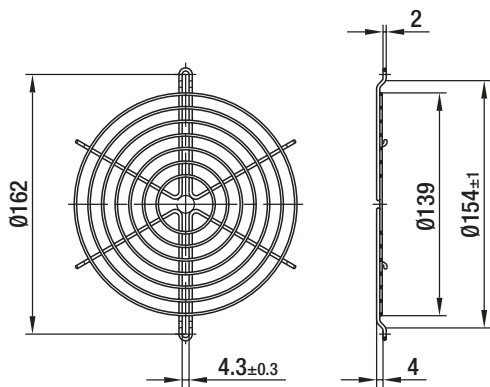
Guard grille for axial fans (according to EN 294)

Part no.	Size
----------	------

50952-2-4039	130 / 142 / 143
--------------	-----------------

subject to alterations

Accessories



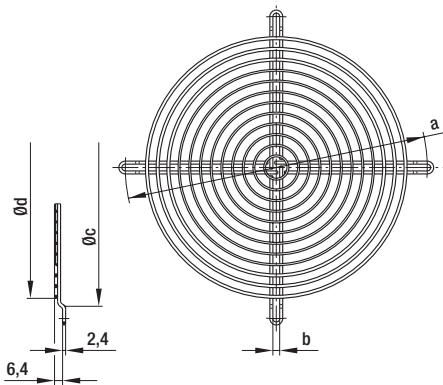
- **Material:** steel wire, ⁽¹⁾plastic coated, silver-metallic gloss or ⁽²⁾galvanised, chromatised in blue

ebm-papst • Mulfingen

Guard grille for axial fans

Part no.	Size
03749-2-4039	142
04013-2-4039	143

subject to alterations



- **Material:** steel wire, plastic coated, silver-metallic gloss

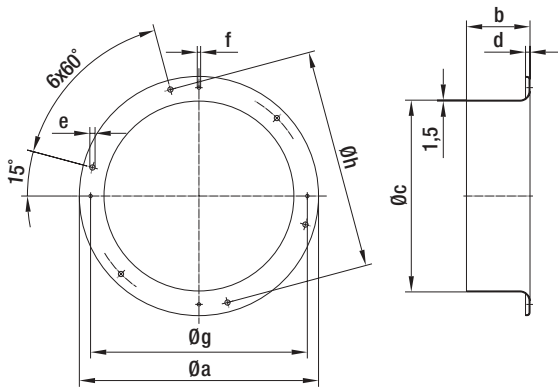
ebm-papst • Mulfingen

Guard grille for axial fans

Part no.	Size	a	b	c	d
78128-2-4039	200	240	5,4	221,5	208
09418-2-4039	250	295	6,4	278,5	270

subject to alterations

Accessories



- **Material:** sheet steel, plastic coated in RAL no. 9005, black

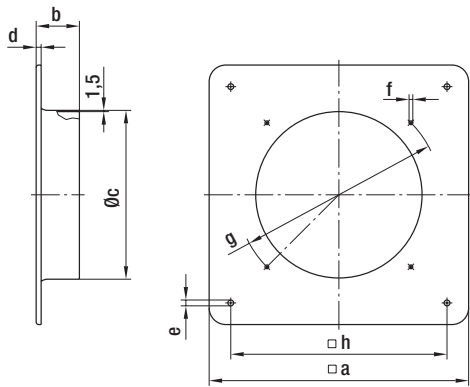
ebm-papst • Mulfingen

Wall rings with long nozzle for axial fans

Part no.	Size	a	b	c	d	e	f	g	h
18912-2-4037	200	280	80	203	5	7	4,5	245	250
64009-2-4037	250 (S-Range)	320	86	260	6	7	4,5	290	295
18910-2-4037	250 (A-Range)	320	85	257	6	7	4,5	290	295
18908-2-4037	300	397	80	326	11	9	M4	360	380
18902-2-4037	315	397	74	347	11	9	M6	374	380
18892-2-4037	330	440	80	369	11	9	M6	408	404
18900-2-4037	350	460	80	390	12	9	M6	422	442
18930-2-4037	400	528	96	419	12	9	M8	500	504
18929-2-4037	420	544	96	447	12	9	M8	500	520
64000-2-4037	450 ⁽¹⁾	607	100	465	14	11	M8	560	578

subject to alterations

⁽¹⁾ Use guard grille 63978-2-4039 to mount the axial fan



- **Material:** sheet steel, plastic coated in RAL no. 9005, black

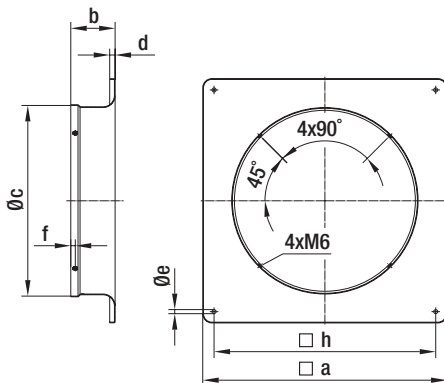
ebm-papst • Mulfingen

Square wall rings with long nozzle for axial fans

Part no.	Size	a	b	c	d	e	f	g	h
18918-2-4037	200	312	52,0	203	6	7	4,5	245	260
37701-2-4037	250 (S-Range)	370	56,0	260	6	7	4,5	290	320
18933-2-4037	250 (A-Range)	370	55,0	257	6	7	4,5	290	320
18924-2-4037	300	430	80,0	326	11	9	4,5	360	380
18903-2-4037	315	430	72,5	345	11	9	M6	375	380
18901-2-4037	350	485	80,0	388	12	9	M6	422	435
64005-2-4037	400	540	98,0	417	12	9	M8	500	490
64006-2-4037	420 ⁽¹⁾	576	94,0	439	14	11	M8	560	535
64007-2-4037	450 ⁽¹⁾	576	100,0	465	14	11	M8	560	535

subject to alterations

⁽¹⁾ Use guard grille 63978-2-4039 to mount the axial fan



- **Material:** sheet steel, plastic coated in RAL no. 9005, black
- **Guard grilles:** see page 348

Possible mounting

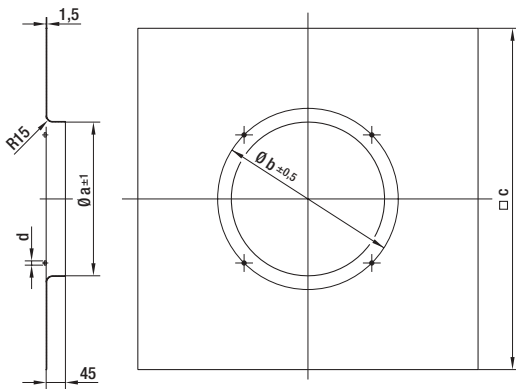
ebm-papst • Mulfingen

Square wall rings with long nozzle for S-Range axial fans (for mounting directly on the nozzle side)

Part no.	Size	a	b	c	d	e	f	h
64011-2-4037	350	485	80	367	12	9	10	435
64020-2-4037	400	540	98	409	12	9	10	490
64001-2-4037	450	576	100	463	14	11	10	535

subject to alterations

Accessories



- **Material:** galvanised sheet steel

ebm-papst • Mulfingen

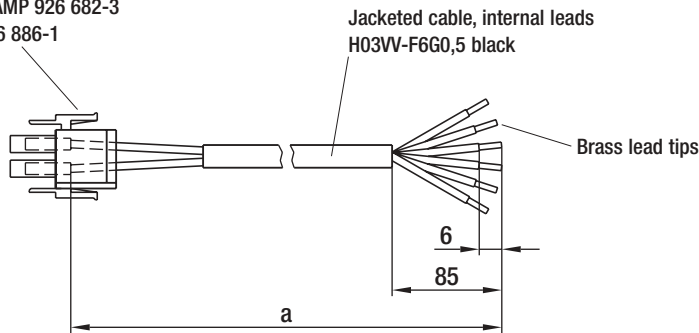
Square wall rings with short nozzle for S-Range axial fans

Part no.	Size	a	b	c	d
35222-2-4037	350	358	422	795	M6
35223-2-4037	400	400	468	840	M8
35224-2-4037	420	426	500	850	M8
35225-2-4037	450	452	515	850	M8

subject to alterations

Accessories

AMP-Universal-Mate-N-Lok suitable for:
connector shell AMP 926 682-3
plug pin AMP 926 886-1



- **Suitable for:** D2E 140 -HR
D2E 146 -HR
D2E 146 -HS
D2E 146 -HT

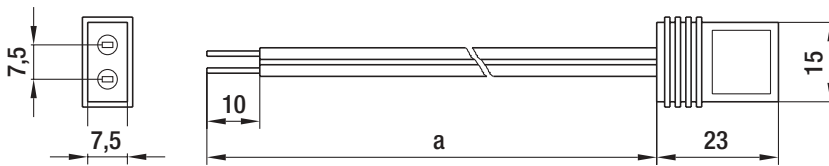
- **Plug assignment:**
 - 1 = Step 1 (white)
 - 2 = Step 2 (red)
 - 3 = Step 3 (grey)
 - 4 = Step 4 (black)
 - 5 = N (blue)
 - 6 = PE (green / yellow)

ebm-papst · Muldingen

Lead connections for centrifugal blowers

Part no.	a
21956-4-1040	300
21957-4-1040	450
21958-4-1040	650
21959-4-1040	1000

subject to alterations



- **Plug connection:**
2.8 x 0.5 mm

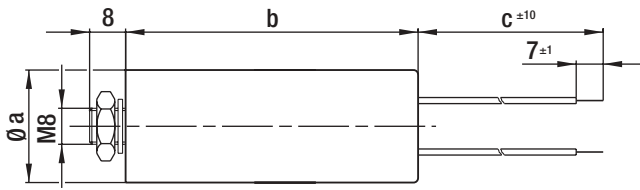
ebm-papst · Muldingen

Lead connections for axial fans (with plug connector)

Part no.	Size	a
01434-4-6711	142 / 143	610
01477-4-6711	142 / 143	1000
01505-4-6711	142 / 143	2000

subject to alterations

Accessories



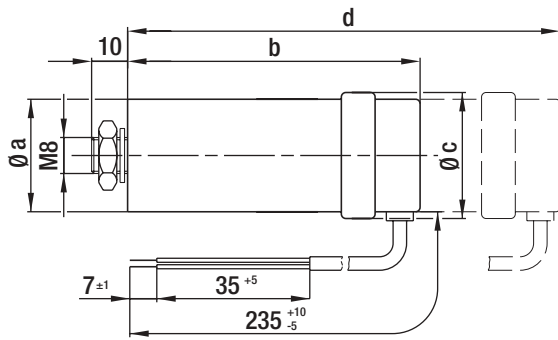
- **Material:** housing made of thermoplast
- **Connection lead:** multi-lead PVC cable 0.5 mm (16 x 0.2 mm² with brass lead tips)
- **Approval:** VDE according to DIN EN 60252 (VDE 0560/8)
- **Calculated life time:**
400 V; -25...+85 °C; 30,000 hrs; class A
450 V; -25...+85 °C; 10,000 hrs; class B

ebm-papst • Muldingen

MKP motor capacitors (without fuse)

Part no.	Capacity	a	b (max.)	c
02100-4-7320	1,0 µF	25-28	58	235
99282-4-7320	1,5 µF	25-28	58	235
99283-4-7320	2,0 µF	25-28	58	235
02103-4-7320	2,5 µF	25-28	58	235
68462-4-7320	3,0 µF	25-28	58	235
99284-4-7320	4,0 µF	28-32	58	235
02101-4-7320	5,0 µF	30-36	58	235
99285-4-7320	6,0 µF	30-36	70	235
66788-4-7320	7,0 µF	30-36	70	100
99286-4-7320	8,0 µF	35-40	72	235
99287-4-7320	10,0 µF	35-40	72	200
30457-4-7320	14,0 µF	40-45	92	150
90025-4-7320	25,0 µF	40	95	235

subject to alterations



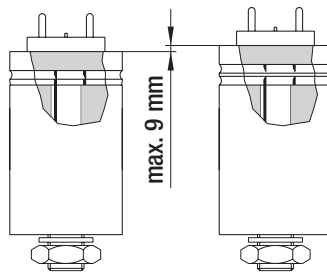
- **Material:** plastic cap, aluminium cup
- **Designation:** FPU or P2 according to IEC 252 (non-flammable, non-explosive, circuit-breaking)
- **Approval:** VDE according to DIN EN 60252 (VDE 0560/8)
- **Calculated life time:**
420 V; -25...+85 °C; 30,000 hrs; class A
470 V; -25...+85 °C; 10,000 hrs; class B
500 V; -25...+85 °C; 3,000 hrs; class C

ebm-papst • Muldingen

MKP motor capacitors (with fuse)

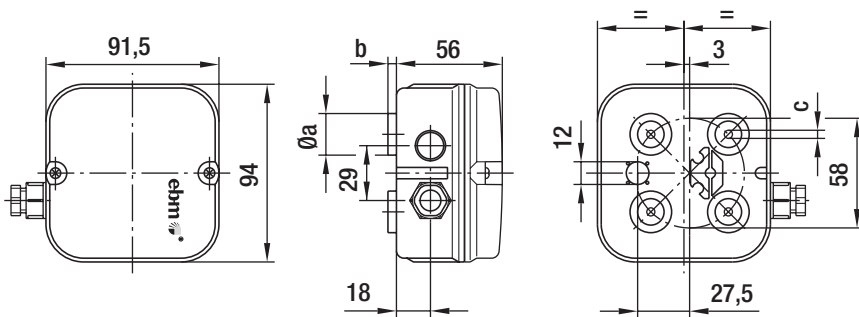
Part no.	Capacity	a	b (max.)	c	d (max.)
02151-4-7320	1,0 µF	25-30	77	28	92
02155-4-7320	1,5 µF	25	77	28	92
02156-4-7320	2,0 µF	25	77	28	92
02159-4-7320	2,5 µF	30	71	33	92
02160-4-7320	3,0 µF	30	71	33	92
02161-4-7320	4,0 µF	25-30	104	28	92
02162-4-7320	5,0 µF	25-30	104	28	104
02163-4-7320	6,0 µF	30	101	33	110
02164-4-7320	7,0 µF	30-35	101	33	110
02165-4-7320	8,0 µF	30-35	102	33	111
02166-4-7320	10,0 µF	35	96	38	110
90026-4-7320	14,0 µF	40	130	48	139
02170-4-7320	25,0 µF	40-45	116	48	130

subject to alterations



- **Pull-off protector:** The housing expands by max. 9mm. The protector responds to overload by the generated excess pressure snapping off the internal lead in a predetermined breaking point.
- **Mounting:** d is the overall dimension of the capacitor which has to be taken into account when mounting the part. The capacitor design, however, depends on the manufacturer. The expansion (9mm) is either added to dimension b, or it is already integrated in the capacitor.

Accessories



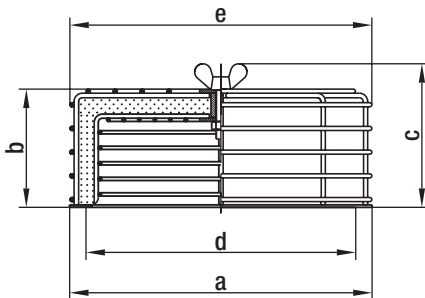
- **Description:** Two-piece terminal box for AC motors of size 068 or 074, terminal strip with 4- or 7-pole. Suitable for installation of capacitor with 10 µF max.
- **Material:** ABS
- **Type of protection:** IP54

ebm-papst • Muldingen

Terminal box

Part no.	AC motor	a	b	c
64442-1-7612	068 (4-pole)	22	5,0	4,3
64444-1-7612	068 (7-pole)	22	5,0	4,3
64443-1-7612	074 (4-pole)	12x14,5	10,5	5,5
64445-1-7612	074 (7-pole)	12x14,5	10,5	5,5

subject to alterations



- **Material:** steel wire / sheet steel, plastic coated in RAL no. 9005, black
- **Filter:** Viledon filter type R: PSB / 29 OS (according to DIN 24185)
separation capacity: < 86 %
efficiency: < 20 %
dust binding capacity: 650 g/m²

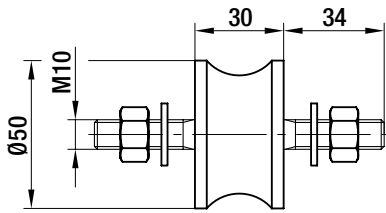
ebm-papst • Muldingen

Air filter for centrifugal blowers (with die-cast aluminium housing)

Part no.	Size	a	b	c	d	e	Spare filter
95777-1-5171	108 / 120	142	66	83	118-132	145	95779-1-5171
95778-1-5171	140 / 146 / 160	185	74	91	158-175	185	95780-1-5171
95347-1-5171	180	210	74	91	194	185	95780-1-5171

subject to alterations

Accessories



- **Material:** element made of rubber, 40° Shore
- **Delivery (1 set) includes:**
4 elements, 8 hexagon nuts M10, galvanised (DIN EN ISO 4032-M10-10) and 8 plain washers, galvanised (DIN EN ISO 7091-10-100HV)
- **Note:** the vibration-absorbing elements may only be exposed to pressure or shearing strain, yet tensile load has to be avoided.

ebm-papst • Mulfingen

Anti-vibration mount for backward curved centrifugal fans (Ø 500 - Ø 630)

Part no.

58000-1-5164

subject to alterations



Компания «ЭлектроПласт» предлагает заключение долгосрочных отношений при поставках импортных электронных компонентов на взаимовыгодных условиях!

Наши преимущества:

- Оперативные поставки широкого спектра электронных компонентов отечественного и импортного производства напрямую от производителей и с крупнейших мировых складов;
- Поставка более 17-ти миллионов наименований электронных компонентов;
- Поставка сложных, дефицитных, либо снятых с производства позиций;
- Оперативные сроки поставки под заказ (от 5 рабочих дней);
- Экспресс доставка в любую точку России;
- Техническая поддержка проекта, помощь в подборе аналогов, поставка прототипов;
- Система менеджмента качества сертифицирована по Международному стандарту ISO 9001;
- Лицензия ФСБ на осуществление работ с использованием сведений, составляющих государственную тайну;
- Поставка специализированных компонентов (Xilinx, Altera, Analog Devices, Intersil, Interpoint, Microsemi, Aeroflex, Peregrine, Syfer, Eurofarad, Texas Instrument, Miteq, Cobham, E2V, MA-COM, Hittite, Mini-Circuits, General Dynamics и др.);

Помимо этого, одним из направлений компании «ЭлектроПласт» является направление «Источники питания». Мы предлагаем Вам помощь Конструкторского отдела:

- Подбор оптимального решения, техническое обоснование при выборе компонента;
- Подбор аналогов;
- Консультации по применению компонента;
- Поставка образцов и прототипов;
- Техническая поддержка проекта;
- Защита от снятия компонента с производства.



Как с нами связаться

Телефон: 8 (812) 309 58 32 (многоканальный)

Факс: 8 (812) 320-02-42

Электронная почта: org@eplast1.ru

Адрес: 198099, г. Санкт-Петербург, ул. Калинина, дом 2, корпус 4, литера А.