

# Compact Power Connectors

*30 amps up to 450 amps*




**APP**  
Anderson Power Products®

Anderson Power Products®, an ISO 9001:2000 certified company, is a world leader in the design and manufacture of quick-disconnect power connectors. Our connectors are rated from 30 amps to 450 amps and up to 250 or 600 volts, AC/DC and comply with major worldwide specifications. With over one hundred years of power connection and device experience, we provide off-the-shelf and custom solutions for OEMs.

## Contents

|  |    |   |    |
|--|----|---|----|
| PowerMod® HP "A" Series.....                 | 2  | PowerMod® Series.....                       | 51 |
| Single Pole Male.....                        | 4  | One Row Female.....                         | 52 |
| Single Pole Female.....                      | 6  | One Row Male.....                           | 56 |
| Single Pole Right Angle Female.....          | 8  | Two Row Female.....                         | 60 |
| Bus Bar Mount.....                           | 10 | Two Row Male.....                           | 64 |
| Dual Pole Male.....                          | 12 | Three Row Female.....                       | 68 |
| Dual Pole Female.....                        | 14 | Three Row Male.....                         | 72 |
| Dual Pole Right Angle Female.....            | 16 | Accessories.....                            | 76 |
| Dual Pole Panel Mount Male.....              | 18 |   |    |
| Dual Pole Panel Mount Blind Mate Female..... | 20 | Power Clip® Series.....                     | 79 |
|  |    | Power Clip.....                             | 80 |
| PowerMod® HP "B" Series.....                 | 22 | Rocker Power Clip.....                      | 82 |
| Single Pole Male.....                        | 24 | Dual Pole Power Clip.....                   | 84 |
| Single Pole Female.....                      | 26 |   |    |
| Single Pole Right Angle Female.....          | 28 | ACARA® Series.....                          | 87 |
| Bus Bar Mount.....                           | 30 | 65 & 100 amp Two Pole Male Filter & Female  |    |
| Dual Pole Male.....                          | 32 | Power Connector.....                        | 88 |
| Dual Pole Female.....                        | 34 | 150 & 250 amp Two Pole Male Filter & Female |    |
| Dual Pole Right Angle Female.....            | 36 | Power Connector.....                        | 92 |
| Dual Pole Panel Mount Male.....              | 38 |   |    |
| Dual Pole Panel Mount Blind Mate Female..... | 40 | Wire Conversion Chart.....                  | 96 |
|  |    | Interpretation of Charts.....               | 97 |
| Power Drawer® Series.....                    | 43 | Glossary of Terminology.....                | 98 |
| 35 amp Series.....                           | 44 | Part Number Index.....                      | 99 |
| 75 amp Series.....                           | 46 |   |    |
| Cross Reference.....                         | 48 |   |    |

Note:

- (1) For patent / trademark information, please see [www.andersonpower.com](http://www.andersonpower.com).
- (2) Use APP recommended crimp tooling. Crimping by other means may disturb contact position in the housing and / or produce high resistance in the mated connection, which can cause melting and other hazardous conditions. Please see [www.andersonpower.com](http://www.andersonpower.com), tooling section, for the recommendations, changes / additions and tips on connector crimping / soldering or preventative maintenance.
- (3)  All products in this catalog are RoHS compliant. For RoHS compliant information on individual part numbers, please see [www.andersonpower.com](http://www.andersonpower.com) for the RoHS lookup index tool.

©Copyright 2007 Anderson Power Products®  
The data herein are solely for your information and not offered, or to be construed, as a warranty or contractual responsibility.

### FEATURES

- **Positive latching**

*Integral latches with ergonomic release provide over 50 lbs retention*

- **Available in straight, right angle, panel mount, blind mate and bus bar styles**

*The flexibility of the PowerMod®HP system serves a broad range of electronics applications*

- **Touch safe female connectors**

*Provide IP20 protection for safe, energized use outside the electronics cabinet*

- **Polarized dual pole connectors with optional hex key**

*Dual pole housings prevent shorting from reverse mating and the optional hex key allows the user to create unique mating schemes*

- **Strain relief option**

*Reduces risk of wire insulation creep and reduces transmission of wire loads to contacts improving service life*

- **Low connector mating forces**

*Connectors are easily mated and un-mated*

- **Silver plated, high conductivity contacts**

*Offers greater longevity for high power, elevated temperature applications*

- **Ease of assembly**

*Intuitive design allows for simplicity of assembly*



|   |                      |
|---|----------------------|
| UL Current Rating                         |                      |
| SP  | 220 Amps             |
| DP  | 210 Amps             |
| CSA (30°C Rise)                           | 130 Amps             |
| Mating Force                              |                      |
| SP  | 7 lbs. (31.14N)      |
| DP  | 15 lbs. (66.72N)     |
| UL Voltage Rating                         | 600 Volts            |
| Wire Size (AWG)                           | #6 to #2             |
| (mm <sup>2</sup> )                        | 16 to 35             |
| Insulation Withstanding Voltage           | 2200 Volts           |
| Operating Temperature Range °C            | minus 40-130 °C      |
| Ambient Temperature Range °C              | minus 40-85 °C       |
| Latch Retention Force                     | 50 lbs. (222N) min.  |
| Contact Retention Force                   | 100 lbs. (445N) min. |
| Mating                                    |                      |
| a. No Load(Contact/Disconnect Cycles)     | 500 Cycles           |
| b. Under Load(Hot Plug 250 cycles @ 120V) | 80A                  |
| Housing & Cable Clamp                     | PBT UL94 V-0         |
| Latch                                     | PEI UL94 V-0         |
| Contacts                                  | Copper alloy         |
| Hardware                                  | Steel zinc chromate  |



### PRODUCT INFORMATION

PowerMod®HP connectors, developed by Anderson Power Products, are the innovative New Generation of High Power Interconnections for the Electronics Industry. The product family provides; cost effective reliability, superior safety and ergonomics, with broad design flexibility. The positive latch and optional strain relief of PowerMod®HP connectors ensure superior reliability. The contacts are extremely durable and rated for circuit interruption (true hot-pluggable). Our touch-safe female housing design with integral latch release presents a new standard for high power connector safety and ergonomics. The housings are black UL94 V-0 material with latches in blue for clear identification.

The PowerMod®HP family offers excellent design flexibility with the availability of 10 different connector types.

- Single Pole Straight Male
- Single Pole Right Angle Female
- Single Pole Straight Female
- Single Pole Bus Bar Mount
- Dual Pole Straight Male
- Dual Pole Right Angle Female
- Dual Pole Straight Female
- Dual Pole Female Blind Mate Panel Mount
- Dual Pole Male Panel Mount
- Dual Pole Male Blind Mate Panel Mount

All PowerMod®HP connectors are available in American and metric wire sizes for further design freedom. APP offers pneumatic and hydraulic bench tools as well as hand tools for the products which are also compatible with many third-party crimp tooling.

Applications: Back-Up Power, Power Supplies, Cellular Infrastructure, Telecommunications, Industrial Power.

HEADQUARTERS: 13 Pratts Junction Road, P.O. Box 579, Sterling, MA 01564 T:978-422-3600 F:978-422-3700

EUROPE: Rathealy Road, Fermoy Co. Cork, Ireland T:353-(0)25-32277 F:353-(0)25-32296

ASIA/PACIFIC: IDEAL Anderson Asia Pacific Ltd., Unit 922-928 Topsail Plaza, 11 On Sum Street, Shatin N.T., Hong Kong T:852-2636-0836 F:852-2635-9036

CHINA: IDEAL Anderson Technologies (Shenzhen) Ltd., Block A8 Tantou W. Ind. Par, Songgang Baoan District, Shenzhen, P.R. China 51810 T: 86-755-2768-2118 F: 86-755-2768-2218

TAIWAN: IDEAL Anderson Asia Pacific Ltd., Taiwan Branch, 4F.-2, No.116, Dadun 20th St., Situn District, Taichung City 407, Taiwan (R.O.C.) T: 886-4-2310-6451 F:886-4-2310-6460

[www.andersonpower.com](http://www.andersonpower.com)

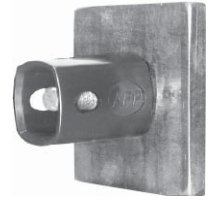
# Connector Family - Series A



Single Pole Right Angle Female



Single Pole Male & Female



Bus Bar Mount



Dual Pole Right Angle Female



Dual Pole Male & Female



Dual Pole Panel Mount Male



Dual Pole Blindmate Female



Dual Pole Blindmate Male

PowerMod HP connectors, developed by Anderson Power Products, are the innovative New Generation of High Power Interconnections for the Electronics Industry.

The touch-safe, positive latching, PowerMod HP female connector design presents a new standard for high power connector safety. The ergonomic latch release is simple to operate and is colored blue for clear identification. Housings are a black UL94 V-0 flame retardant material.

PowerMod HP contacts are durable and rated for circuit interruption (true hot-pluggable). Series A contacts are available in #6 to #2 American wire gauge and 16mm<sup>2</sup> to 35mm<sup>2</sup> metric wire sizes for global design freedom. Our optional strain relief ensures superior contact reliability under adverse operating conditions.

APP PowerMod HP connectors embody the highest quality in the industry and meet all applicable industry standards.

### Features

- **Positive latching**  
*Integral latches with ergonomic release provide over 50 lbs retention*
- **Strain relief option**  
*Reduces risk of wire insulation creep and reduces transmission of wire loads to contacts improving service life*
- **Low connector mating forces**  
*Connectors are easily mated and un-mated*
- **Silver plated, high conductivity contacts**  
*Offers greater longevity for high power, elevated temperature applications*
- **Ease of assembly**  
*Intuitive design allows for simplicity of assembly*



### SPECIFICATIONS

| Electrical                      |                 | Mechanical                                |                           |
|---------------------------------|-----------------|---|---------------------------|
| Current Rating                  |                 | Mating Force                              | 7 lbs. (31.14N) avg       |
| UL                              | 220 Amps        | Latch Retention Force                     | 50 lbs. (222N) min        |
| CSA (30°C Rise)                 | 130 Amps        | Contact Retention Force                   | 100 lbs. (445N) min       |
| UL / CSA Voltage Rating         | 600 Volts       | Mating                                    |                           |
| Wire Size (AWG)                 | #6 to #2        | a. No Load(Contact/Disconnect Cycles)     | 500 Cycles                |
| (mm <sup>2</sup> )              | 16 to 35        | b. Under Load(Hot Plug 250 cycles @ 120V) | 80A                       |
| Insulation Withstanding Voltage | 2200 Volts      | <b>Materials</b>                          |                           |
| Operating Temperature Range °C  | minus 40-130 °C | Housing & Cable Clamp                     | PBT UL94 V-0              |
| Ambient Temperature Range °C    | minus 40-85 °C  | Latch                                     | PEI UL94 V-0              |
|                                 |                 | Contacts                                  | Copper alloy silver plate |
|                                 |                 | Hardware                                  | Steel zinc chromate       |



File No. E26226

### ORDERING INFORMATION

#### PowerMod HP Part Number Plan - Single Pole Male

| Series                                     | Series | Gender | Model | Wire Size |
|--|--------|--------|-------|-----------|
| PMHP                                       | A      | M      | 01    | P05       |
| A *  |        |        |       |           |
| M - Male                                   |        |        |       |           |
| 01 - Single Pole Straight                  |        |        |       |           |
| 02 - Single Pole Straight with Cable Clamp |        |        |       |           |
| P05 - 6 AWG                                |        |        |       |           |
| P04 - 16mm <sup>2</sup>                    |        |        |       |           |
| P03 - 4 AWG                                |        |        |       |           |
| P02 - 25mm <sup>2</sup>                    |        |        |       |           |
| P01 - 2 AWG & 35mm <sup>2</sup>            |        |        |       |           |

#### Components

| Part Number | Description   |
|-------------|---|
| PMHPAM01    | Housing Kit, Male, Single Pole, Straight                  |
| PMHPAM02    | Housing Kit with Cable Clamp, Male, Single Pole, Straight |
| PMHPAP05    | Pin, Series A, Crimp for 6 AWG wire                       |
| PMHPAP04    | Pin, Series A, Crimp for 16mm <sup>2</sup> wire           |
| PMHPAP03    | Pin, Series A, Crimp for 4 AWG wire                       |
| PMHPAP02    | Pin, Series A, Crimp for 25mm <sup>2</sup> wire           |
| PMHPAP01    | Pin, Series A, Crimp for 2 AWG & 35mm <sup>2</sup> wire   |
| PMHPAC01    | Single Pole Cable Clamp Kit                               |

\* Maximum wire size 2 AWG or 35mm<sup>2</sup>

HEADQUARTERS: 13 Pratts Junction Road, P.O. Box 579, Sterling, MA 01564 T:978-422-3600 F:978-422-3700

EUROPE: Rathealy Road, Fermoy Co. Cork, Ireland T:353-(0)25-32277 F:353-(0)25-32296

ASIA/PACIFIC: IDEAL Anderson Asia Pacific Ltd., Unit 922-928 Topsail Plaza, 11 On Sum Street, Shatin N.T., Hong Kong T:852-2636-0836 F:852-2635-9036

CHINA: IDEAL Anderson Technologies (Shenzhen) Ltd., Block A8 Tantou W. Ind. Par, Songgang Baoan District, Shenzhen, P.R. China 51810 T: 86-755-2768-2118 F: 86-755-2768-2218

TAIWAN: IDEAL Anderson Asia Pacific Ltd., Taiwan Branch, 4F.-2, No.116, Dadun 20th St., Situn District, Taichung City 407, Taiwan (R.O.C.) T: 886-4-2310-6451 F:886-4-2310-6460

[www.andersonpower.com](http://www.andersonpower.com)

## ORDERING INFORMATION

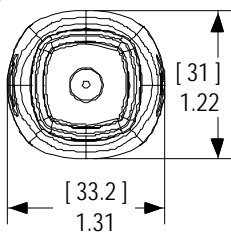
### Tooling

| Pneumatic Production Tool   |             |         |             |                  |
|-----------------------------|-------------|---------|-------------|------------------|
| Wire Size                   | Part Number | Die P/N | Locator P/N | Number of Crimps |
| #2 AWG<br>35mm <sup>2</sup> | 1387G2      | 1303G13 | 1304G19     | 2                |
| 25mm <sup>2</sup>           | 1387G2      | 1303G13 | 1304G19     | 2                |
| #4 AWG                      | 1387G2      | 1303G14 | 1304G19     | 2                |
| 16mm <sup>2</sup>           | 1387G2      | 1303G14 | 1304G19     | 2                |
| #6 AWG                      | 1387G2      | 1303G14 | 1304G19     | 2                |

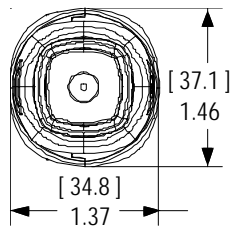
| Hand Tool                   |           |         |         |                  |
|-----------------------------|-----------|---------|---------|------------------|
| Wire Size                   | Hydraulic | Battery | Die P/N | Number of Crimps |
| #2 AWG<br>35mm <sup>2</sup> | 1387G3    | 1370    | 1322G7  | 2                |
| 25mm <sup>2</sup>           | 1387G3    | 1370    | 1322G11 | 2                |
| #4 AWG                      | 1387G3    | 1370    | 1322G8  | 2                |
| 16mm <sup>2</sup>           | 1387G3    | 1370    | 1322G10 | 2                |
| #6 AWG                      | 1387G3    | 1370    | 1322G9  | 2                |

## DIMENSIONS

Front Without Strain Relief



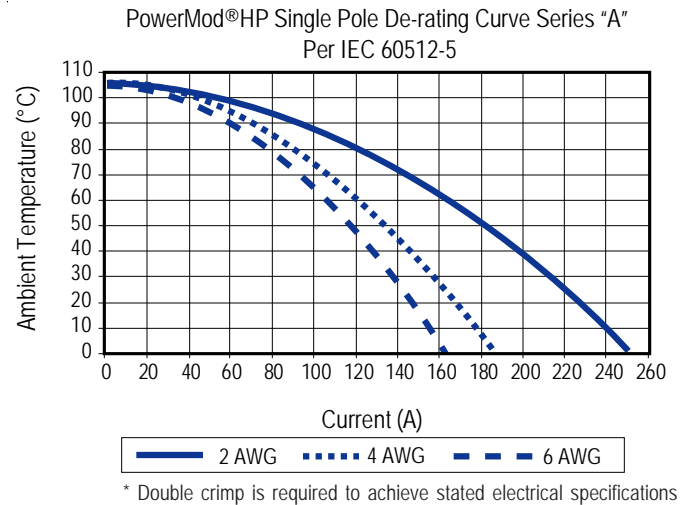
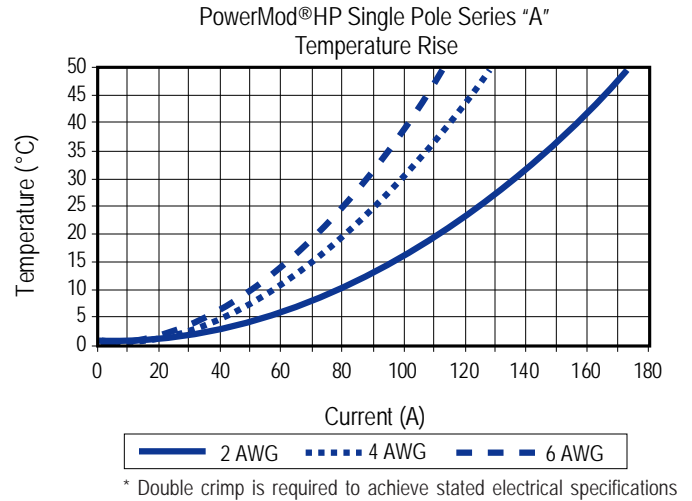
Front With Strain Relief



Side



## TEMPERATURE CHART



## MATING CONNECTORS

Single Pole Right Angle Female

Single Pole Female



All Data Subject To Change Without Notice

HEADQUARTERS: 13 Pratts Junction Road, P.O. Box 579, Sterling, MA 01564 T:978-422-3600 F:978-422-3700

EUROPE: Raheen Road, Fermoy Co. Cork, Ireland T:353-(0)25-32277 F:353-(0)25-32296

ASIA/PACIFIC: IDEAL Anderson Asia Pacific Ltd., Unit 922-928 Topsail Plaza, 11 On Sum Street, Shatin N.T., Hong Kong T:852-2636-0836 F:852-2635-9036

CHINA: IDEAL Anderson Technologies (Shenzhen) Ltd., Block A8 Tantou W. Ind. Par, Songgang Baoan District, Shenzhen, P.R. China 51810 T: 86-755-2768-2118 F: 86-755-2768-2218

TAIWAN: IDEAL Anderson Asia Pacific Ltd., Taiwan Branch, 4F.-2, No.116, Dadun 20th St., Situn District, Taichung City 407, Taiwan (R.O.C.) T: 886-4-2310-6451 F:886-4-2310-6460

[www.andersonpower.com](http://www.andersonpower.com)

PowerMod HP connectors, developed by Anderson Power Products, are the innovative New Generation of High Power Interconnections for the Electronics Industry.

The touch-safe, positive latching, PowerMod HP female connector design presents a new standard for high power connector safety. The ergonomic latch release is simple to operate and is colored blue for clear identification. Housings are a black UL94 V-0 flame retardant material.

PowerMod HP contacts are durable and rated for circuit interruption (true hot-pluggable). Series A contacts are available in #6 to #2 American wire gauge and 16mm<sup>2</sup> to 35mm<sup>2</sup> metric wire sizes for global design freedom. Our optional strain relief ensures superior contact reliability under adverse operating conditions.

APP PowerMod HP connectors embody the highest quality in the industry and meet all applicable industry standards.

### Features

- Positive Latching**  
*Integral latches with ergonomic release provide over 50 lbs retention*
- Touch safe female connectors**  
*Provides IP20 protection for safe, energized use outside the electronics cabinet*
- High performance, hot pluggable female contacts**  
*Our patented design provides greater longevity for high power, elevated temperature applications*
- Strain relief option**  
*Reduces risk of wire insulation creep and reduces transmission of wire loads to contacts improving service life*
- Low connector mating forces**  
*Connectors are easily mated and un-mated*



## SPECIFICATIONS

| Electrical                      |                 | Mechanical                                |                           |
|---------------------------------|-----------------|---|---------------------------|
| Current Rating                  |                 | Mating Force                              | 7 lbs. (31.14N) avg       |
| UL                              | 220 Amps        | Latch Retention Force                     | 50 lbs. (222N) min        |
| CSA (30°C Rise)                 | 130 Amps        | Contact Retention Force                   | 100 lbs. (445N) min       |
| UL / CSA Voltage Rating         | 600 Volts       | Mating                                    |                           |
| Wire Size (AWG)                 | #6 to #2        | a. No Load(Contact/Disconnect Cycles)     | 500 Cycles                |
| (mm <sup>2</sup> )              | 16 to 35        | b. Under Load(Hot Plug 250 cycles @ 120V) | 80A                       |
| Insulation Withstanding Voltage | 2200 Volts      | <b>Materials</b>                          |                           |
| Operating Temperature Range °C  | minus 40-130 °C | Housing & Cable Clamp                     | PBT UL94 V-0              |
| Ambient Temperature Range °C    | minus 40-85 °C  | Latch                                     | PEI UL94 V-0              |
|                                 |                 | Contacts                                  | Copper alloy silver plate |
|                                 |                 | Hardware                                  | Steel zinc chromate       |



File No. E26226

## ORDERING INFORMATION

### PowerMod HP Part Number Plan - Single Pole Female

| Series                                     | Series | Gender | Model | Wire Size |
|--|--------|--------|-------|-----------|
| PMHP                                       | A      | F      | 01    | S05       |
| A *<br>F - Female                          |        |        |       |           |
| 01 - Single Pole Straight                  |        |        |       |           |
| 02 - Single Pole Straight with Cable Clamp |        |        |       |           |
| S05 - 6 AWG                                |        |        |       |           |
| S04 - 16mm <sup>2</sup>                    |        |        |       |           |
| S03 - 4 AWG                                |        |        |       |           |
| S02 - 25mm <sup>2</sup>                    |        |        |       |           |
| S01 - 2 AWG & 35mm <sup>2</sup>            |        |        |       |           |

\* Maximum wire size 2 AWG or 35mm<sup>2</sup>

### Components

| Part Number | Description   |
|-------------|---|
| PMHPAF01    | Housing Kit, Female, Single Pole, Straight                  |
| PMHPAF02    | Housing Kit with Cable Clamp, Female, Single Pole, Straight |
| PMHPAS05    | Socket, Series A, Crimp for 6 AWG wire                      |
| PMHPAS04    | Socket, Series A, Crimp for 16mm <sup>2</sup> wire          |
| PMHPAS03    | Socket, Series A, Crimp for 4 AWG wire                      |
| PMHPAS02    | Socket, Series A, Crimp for 25mm <sup>2</sup> wire          |
| PMHPAS01    | Socket, Series A, Crimp for 2 AWG & 35mm <sup>2</sup> wire  |
| PMHPAC01    | Single Pole Cable Clamp Kit                                 |

HEADQUARTERS: 13 Pratts Junction Road, P.O. Box 579, Sterling, MA 01564 T:978-422-3600 F:978-422-3700

EUROPE: Rathealy Road, Fermoy Co. Cork, Ireland T:353-(0)25-32277 F:353-(0)25-32296

ASIA/PACIFIC: IDEAL Anderson Asia Pacific Ltd., Unit 922-928 Topsail Plaza, 11 On Sum Street, Shatin N.T., Hong Kong T:852-2636-0836 F:852-2635-9036

CHINA: IDEAL Anderson Technologies (Shenzhen) Ltd., Block A8 Tantou W. Ind. Par, Songgang Baoan District, Shenzhen, P.R. China 51810 T: 86-755-2768-2118 F: 86-755-2768-2218

TAIWAN: IDEAL Anderson Asia Pacific Ltd., Taiwan Branch, 4F.-2, No.116, Dadun 20th St., Situn District, Taichung City 407, Taiwan (R.O.C.) T: 886-4-2310-6451 F:886-4-2310-6460

[www.andersonpower.com](http://www.andersonpower.com)

## ORDERING INFORMATION

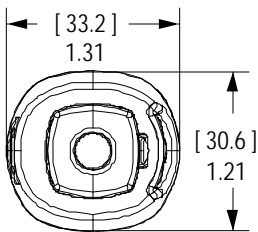
### Tooling

| Pneumatic Production Tool   |             |         |             |                  |
|-----------------------------|-------------|---------|-------------|------------------|
| Wire Size                   | Part Number | Die P/N | Locator P/N | Number of Crimps |
| #2 AWG<br>35mm <sup>2</sup> | 1387G2      | 1303G13 | 1304G19     | 2                |
| 25mm <sup>2</sup>           | 1387G2      | 1303G13 | 1304G19     | 2                |
| #4 AWG<br>16mm <sup>2</sup> | 1387G2      | 1303G14 | 1304G19     | 2                |
| #6 AWG                      | 1387G2      | 1303G14 | 1304G19     | 2                |

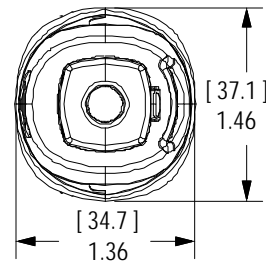
| Hand Tool                   |           |         |         |                  |
|-----------------------------|-----------|---------|---------|------------------|
| Wire Size                   | Hydraulic | Battery | Die P/N | Number of Crimps |
| #2 AWG<br>35mm <sup>2</sup> | 1387G3    | 1370    | 1322G7  | 2                |
| 25mm <sup>2</sup>           | 1387G3    | 1370    | 1322G11 | 2                |
| #4 AWG<br>16mm <sup>2</sup> | 1387G3    | 1370    | 1322G8  | 2                |
| #6 AWG                      | 1387G3    | 1370    | 1322G9  | 2                |

## DIMENSIONS

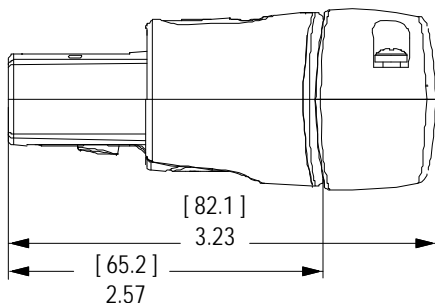
Front Without  
Strain Relief



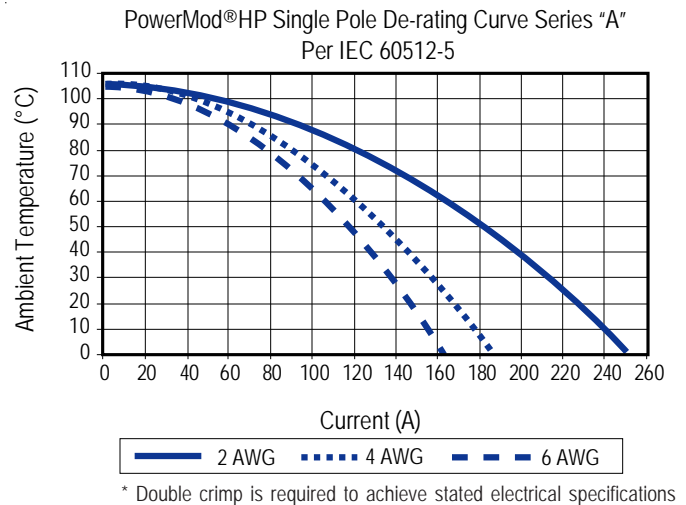
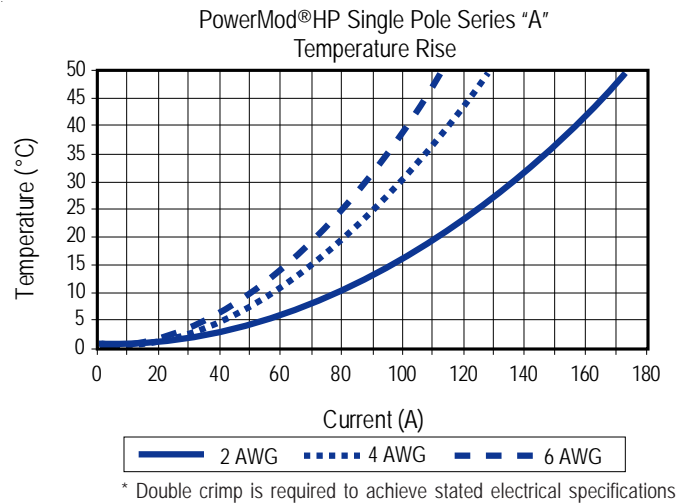
Front With  
Strain Relief



Side



## TEMPERATURE CHART



## MATING CONNECTORS

Single Pole Bus Bar Male



Single Pole Male



All Data Subject To Change Without Notice

HEADQUARTERS: 13 Pratts Junction Road, P.O. Box 579, Sterling, MA 01564 T:978-422-3600 F:978-422-3700

EUROPE: Raheen Road, Fermoy Co. Cork, Ireland T:353-(0)25-32277 F:353-(0)25-32296

ASIA/PACIFIC: IDEAL Anderson Asia Pacific Ltd., Unit 922-928 Topsail Plaza, 11 On Sum Street, Shatin N.T., Hong Kong T:852-2636-0836 F:852-2635-9036

CHINA: IDEAL Anderson Technologies (Shenzhen) Ltd., Block A8 Tantou W. Ind. Par, Songgang Baoan District, Shenzhen, P.R. China 51810 T: 86-755-2768-2118 F: 86-755-2768-2218

TAIWAN: IDEAL Anderson Asia Pacific Ltd., Taiwan Branch, 4F.-2, No.116, Dadun 20th St., Situn District, Taichung City 407, Taiwan (R.O.C.) T: 886-4-2310-6451 F:886-4-2310-6460

[www.andersonpower.com](http://www.andersonpower.com)



PowerMod HP connectors, developed by Anderson Power Products, are the innovative New Generation of High Power Interconnections for the Electronics Industry.

The touch-safe, positive latching, PowerMod HP female connector design presents a new standard for high power connector safety. The ergonomic latch release is simple to operate and is colored blue for clear identification. Housings are a black UL94 V-0 flame retardant material.

PowerMod HP contacts are durable and rated for circuit interruption (true hot-pluggable). Series A contacts are available in #6 to #2 American wire gauge and 16mm<sup>2</sup> to 35mm<sup>2</sup> metric wire sizes for global design freedom. Our \*strain relief ensures superior contact reliability under adverse operating conditions.

APP PowerMod HP connectors embody the highest quality in the industry and meet all applicable industry standards.

\* Strain relief not optional on right angle

### Features

- Right angle connector**  
*Offers short mated length for tight wiring applications*
- Positive latching**  
*Integral Latches with ergonomic release provide over 50 lbs retention*
- Touch safe female connectors**  
*Provides IP20 protection for safe, energized use outside the electronics cabinet*
- High performance, hot pluggable female contacts**  
*Our patented design provides greater longevity for high power, elevated temperature applications*
- Low connector mating forces**  
*Connectors are easily mated and un-mated*



### SPECIFICATIONS

| Electrical                      |                 | Mechanical                                |                           |
|---------------------------------|-----------------|---|---------------------------|
| Current Rating                  |                 | Mating Force                              | 7 lbs. (31.14N) avg       |
| UL                              | 220 Amps        | Latch Retention Force                     | 50 lbs. (222N) min        |
| CSA (30°C Rise)                 | 130 Amps        | Contact Retention Force                   | 100 lbs. (445N) min       |
| UL / CSA Voltage Rating         | 600 Volts       | Mating                                    |                           |
| Wire Size (AWG)                 | #6 to #2        | a. No Load(Contact/Disconnect Cycles)     | 500 Cycles                |
| (mm <sup>2</sup> )              | 16 to 35        | b. Under Load(Hot Plug 250 cycles @ 120V) | 80A                       |
| Insulation Withstanding Voltage | 2200 Volts      | <b>Materials</b>                          |                           |
| Operating Temperature Range °C  | minus 40-130 °C | Housing & Cable Clamp                     | PBT UL94 V-0              |
| Ambient Temperature Range °C    | minus 40-85 °C  | Latch                                     | PEI UL94 V-0              |
|                                 |                 | Contacts                                  | Copper alloy silver plate |
|                                 |                 | Hardware                                  | Steel zinc chromate       |



### ORDERING INFORMATION

#### PowerMod HP Part Number Plan - Single Pole Right Angle Female

| Series                                | Series | Gender | Model | Wire Size |
|---------------------------------------|--------|--------|-------|-----------|
| PMHP                                  | A      | F      | 3     | S10       |
| A *                                   |        |        |       |           |
| F - Female                            |        |        |       |           |
| 03 - Single Pole R/A with cable clamp |        |        |       |           |
| S10 - 6 AWG                           |        |        |       |           |
| S09 - 16mm <sup>2</sup>               |        |        |       |           |
| S08 - 4 AWG                           |        |        |       |           |
| S07 - 25mm <sup>2</sup>               |        |        |       |           |
| S06 - 2 AWG & 35mm <sup>2</sup>       |        |        |       |           |

\* Maximum wire size 2 AWG or 35mm<sup>2</sup>

#### Components

| Part Number | Description  |
|-------------|--|
| PMHPAF03    | Housing Kit with Cable Clamp, Female, Single Pole, R/A     |
| PMHPAS10    | Socket, Series A, Crimp for 6 AWG wire                     |
| PMHPAS09    | Socket, Series A, Crimp for 16mm <sup>2</sup> wire         |
| PMHPAS08    | Socket, Series A, Crimp for 4 AWG wire                     |
| PMHPAS07    | Socket, Series A, Crimp for 25mm <sup>2</sup> wire         |
| PMHPAS06    | Socket, Series A, Crimp for 2 AWG & 35mm <sup>2</sup> wire |

HEADQUARTERS: 13 Pratts Junction Road, P.O. Box 579, Sterling, MA 01564 T:978-422-3600 F:978-422-3700

EUROPE: Rathealy Road, Fermoy Co. Cork, Ireland T:353-(0)25-32277 F:353-(0)25-32296

ASIA/PACIFIC: IDEAL Anderson Asia Pacific Ltd., Unit 922-928 Topsail Plaza, 11 On Sum Street, Shatin N.T., Hong Kong T:852-2636-0836 F:852-2635-9036

CHINA: IDEAL Anderson Technologies (Shenzhen) Ltd., Block A8 Tantou W. Ind. Par, Songgang Baoan District, Shenzhen, P.R. China 51810 T: 86-755-2768-2118 F: 86-755-2768-2218

TAIWAN: IDEAL Anderson Asia Pacific Ltd., Taiwan Branch, 4F.-2, No.116, Dadun 20th St., Situn District, Taichung City 407, Taiwan (R.O.C.) T: 886-4-2310-6451 F:886-4-2310-6460

[www.andersonpower.com](http://www.andersonpower.com)

## ORDERING INFORMATION

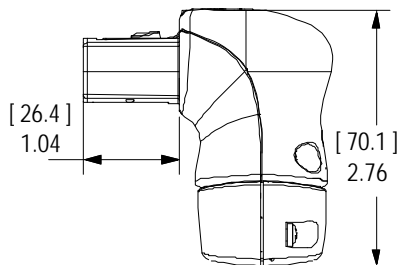
### Tooling

| Pneumatic Production Tool   |             |         |             |                  |
|-----------------------------|-------------|---------|-------------|------------------|
| Wire Size                   | Part Number | Die P/N | Locator P/N | Number of Crimps |
| #2 AWG<br>35mm <sup>2</sup> | 1387G2      | 1303G13 | 1304G19     | 2                |
| 25mm <sup>2</sup>           | 1387G2      | 1303G13 | 1304G19     | 2                |
| #4 AWG                      | 1387G2      | 1303G14 | 1304G19     | 2                |
| 16mm <sup>2</sup>           | 1387G2      | 1303G14 | 1304G19     | 2                |
| #6 AWG                      | 1387G2      | 1303G14 | 1304G19     | 2                |

| Hand Tool                   |           |         |         |                  |
|-----------------------------|-----------|---------|---------|------------------|
| Wire Size                   | Hydraulic | Battery | Die P/N | Number of Crimps |
| #2 AWG<br>35mm <sup>2</sup> | 1387G3    | 1370    | 1322G7  | 2                |
| 25mm <sup>2</sup>           | 1387G3    | 1370    | 1322G11 | 2                |
| #4 AWG                      | 1387G3    | 1370    | 1322G8  | 2                |
| 16mm <sup>2</sup>           | 1387G3    | 1370    | 1322G10 | 2                |
| #6 AWG                      | 1387G3    | 1370    | 1322G9  | 2                |

## DIMENSIONS

### Side



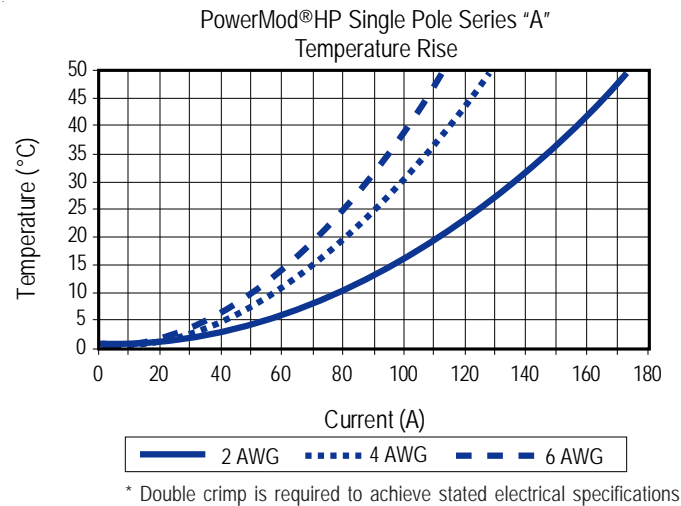
### Top



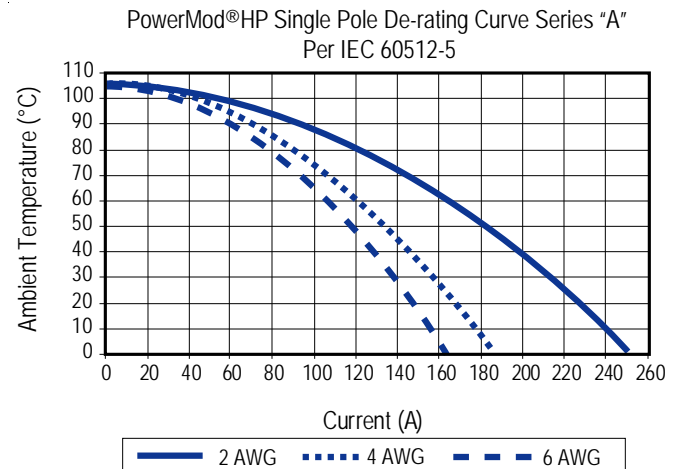
### Front



## TEMPERATURE CHART



\* Double crimp is required to achieve stated electrical specifications



\* Double crimp is required to achieve stated electrical specifications

## MATING CONNECTORS

### Single Pole Male



### Single Pole Bus Bar Male



All Data Subject To Change Without Notice

HEADQUARTERS: 13 Pratts Junction Road, P.O. Box 579, Sterling, MA 01564 T:978-422-3600 F:978-422-3700

EUROPE: Rathealy Road, Fermoy Co. Cork, Ireland T:353-(0)25-32277 F:353-(0)25-32296

ASIA/PACIFIC: IDEAL Anderson Asia Pacific Ltd., Unit 922-928 Topsail Plaza, 11 On Sum Street, Shatin N.T., Hong Kong T:852-2636-0836 F:852-2635-9036

CHINA: IDEAL Anderson Technologies (Shenzhen) Ltd., Block A8 Tantou W. Ind. Par, Songgang Baoan District, Shenzhen, P.R. China 51810 T: 86-755-2768-2118 F: 86-755-2768-2218

TAIWAN: IDEAL Anderson Asia Pacific Ltd., Taiwan Branch, 4F.-2, No.116, Dadun 20th St., Situn District, Taichung City 407, Taiwan (R.O.C.) T: 886-4-2310-6451 F:886-4-2310-6460

[www.andersonpower.com](http://www.andersonpower.com)

PowerMod HP connectors, developed by Anderson Power Products, are the innovative New Generation of High Power Interconnections for the Electronics Industry.

APP PowerMod HP connectors embody the highest quality in the industry and meet all applicable industry standards.

### Features

- **Low connector mating forces**  
*Connectors are easily mated and un-mated*
- **Silver plated, high conductivity contacts**  
*Offers greater longevity for high power, elevated temperature applications*
- **Ease of assembly**  
*Intuitive design allows for simplicity of assembly*



## SPECIFICATIONS

### Electrical

|                                 |                                |
|---------------------------------|--------------------------------|
| Current Rating                  |                                |
| UL                              | 220 Amps                       |
| CSA (30°C Rise)                 | 130 Amps                       |
| UL / CSA Voltage Rating         | 600 Volts                      |
| Bus Bar                         | .12 [3.0] min<br>.25 [6.4] max |
| Insulation Withstanding Voltage | 2200 Volts                     |
| Operating Temperature Range °C  | minus 40-130 °C                |
| Ambient Temperature Range °C    | minus 40-85 °C                 |

### Mechanical

|   |                     |
|---|---------------------|
| Mating Force                              | 7 lbs. (31.14N) avg |
| Latch Retention Force                     | 50 lbs. (222N) min  |
| Contact Retention Force                   | 100 lbs. (445N) min |
| Mating                                    |                     |
| a. No Load(Contact/Disconnect Cycles)     | 500 Cycles          |
| b. Under Load(Hot Plug 250 cycles @ 120V) | 80A                 |

### Materials

|          |                           |
|----------|---------------------------|
| Housing  | PBT UL94 V-0              |
| Contacts | Copper alloy silver plate |
| Hardware | Steel zinc chromate       |



## ORDERING INFORMATION

### PowerMod HP Part Number Plan - Single Pole Bus Bar

| Series   | Series | Gender | Model | Wire Size |
|--|--------|--------|-------|-----------|
| PMHP   | A      | M      | 04    | P06       |
| A *<br>M - Male<br>04 - Bus Bar Mount<br>P06 - Pin Bus Bar |        |        |       |           |

### Components

| Part Number | Description           |
|-------------|-----------------------|
| PMHPAP06    | Pin Series A, Bus Bar |

HEADQUARTERS: 13 Pratts Junction Road, P.O. Box 579, Sterling, MA 01564 T:978-422-3600 F:978-422-3700

EUROPE: Rathealy Road, Fermoy Co. Cork, Ireland T:353-(0)25-32277 F:353-(0)25-32296

ASIA/PACIFIC: IDEAL Anderson Asia Pacific Ltd., Unit 922-928 Topsail Plaza, 11 On Sum Street, Shatin N.T., Hong Kong T:852-2636-0836 F:852-2635-9036

CHINA: IDEAL Anderson Technologies (Shenzhen) Ltd., Block A8 Tantou W. Ind. Par, Songgang Baoan District, Shenzhen, P.R. China 51810 T: 86-755-2768-2118 F: 86-755-2768-2218

TAIWAN: IDEAL Anderson Asia Pacific Ltd., Taiwan Branch, 4F.-2, No.116, Dadun 20th St., Situn District, Taichung City 407, Taiwan (R.O.C.) T: 886-4-2310-6451 F:886-4-2310-6460

[www.andersonpower.com](http://www.andersonpower.com)

## ORDERING INFORMATION

### Tooling For Mating Connectors

| Pneumatic Production Tool   |             |         |             |                  |
|-----------------------------|-------------|---------|-------------|------------------|
| Wire Size                   | Part Number | Die P/N | Locator P/N | Number of Crimps |
| #2 AWG<br>35mm <sup>2</sup> | 1387G2      | 1303G13 | 1304G19     | 2                |
| 25mm <sup>2</sup>           | 1387G2      | 1303G13 | 1304G19     | 2                |
| #4 AWG<br>16mm <sup>2</sup> | 1387G2      | 1303G14 | 1304G19     | 2                |
| #6 AWG                      | 1387G2      | 1303G14 | 1304G19     | 2                |

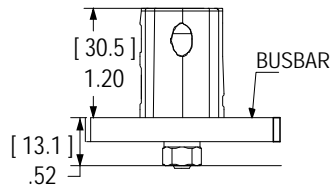
| Hand Tool                   |           |         |         |                  |
|-----------------------------|-----------|---------|---------|------------------|
| Wire Size                   | Hydraulic | Battery | Die P/N | Number of Crimps |
| #2 AWG<br>35mm <sup>2</sup> | 1387G3    | 1370    | 1322G7  | 2                |
| 25mm <sup>2</sup>           | 1387G3    | 1370    | 1322G11 | 2                |
| #4 AWG<br>16mm <sup>2</sup> | 1387G3    | 1370    | 1322G8  | 2                |
| #6 AWG                      | 1387G3    | 1370    | 1322G9  | 2                |

## DIMENSIONS

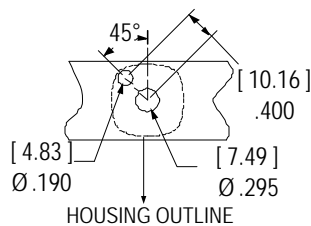
Front



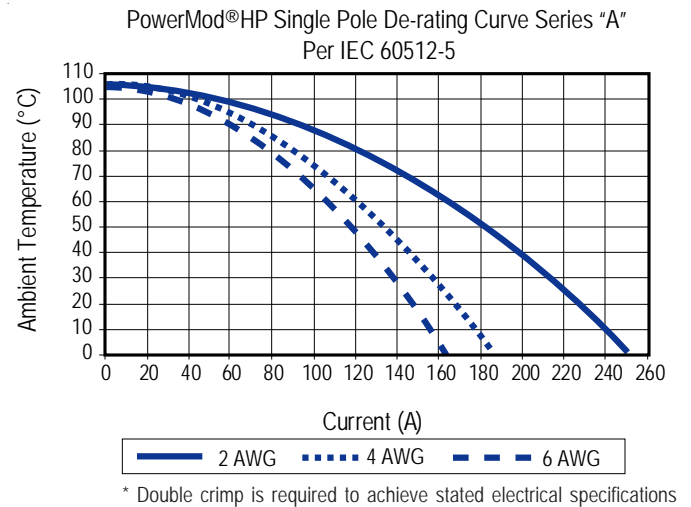
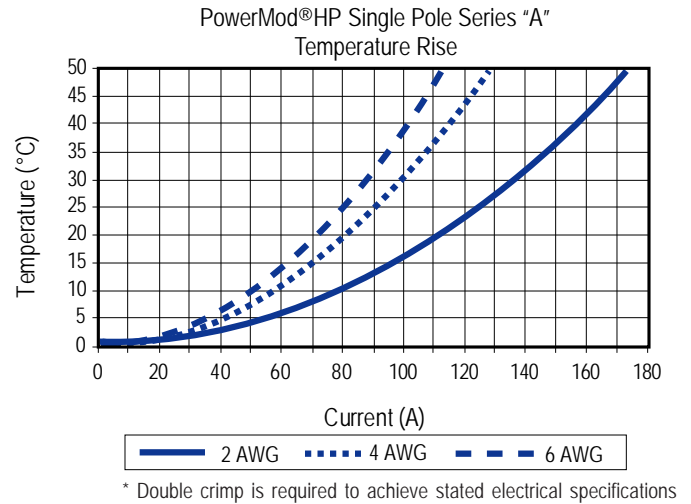
Side



Back



## TEMPERATURE CHART



## MATING CONNECTORS

Single Pole Right  
Angle Female

Single Pole Female



All Data Subject To Change Without Notice

HEADQUARTERS: 13 Pratts Junction Road, P.O. Box 579, Sterling, MA 01564 T:978-422-3600 F:978-422-3700

EUROPE: Rathealy Road, Fermoy Co. Cork, Ireland T:353-(0)25-32277 F:353-(0)25-32296

ASIA/PACIFIC: IDEAL Anderson Asia Pacific Ltd., Unit 922-928 Topsail Plaza, 11 On Sum Street, Shatin N.T., Hong Kong T:852-2636-0836 F:852-2635-9036

CHINA: IDEAL Anderson Technologies (Shenzhen) Ltd., Block A8 Tantou W. Ind. Par, Songgang Baoan District, Shenzhen, P.R. China 51810 T: 86-755-2768-2118 F: 86-755-2768-2218

TAIWAN: IDEAL Anderson Asia Pacific Ltd., Taiwan Branch, 4F.-2, No.116, Dadun 20th St., Situn District, Taichung City 407, Taiwan (R.O.C.) T: 886-4-2310-6451 F:886-4-2310-6460

[www.andersonpower.com](http://www.andersonpower.com)

PowerMod HP connectors, developed by Anderson Power Products, are the innovative New Generation of High Power Interconnections for the Electronics Industry.

The touch-safe, positive latching, PowerMod HP female connector design presents a new standard for high power connector safety. The ergonomic latch release is simple to operate and is colored blue for clear identification. Housings are a black UL94 V-0 flame retardant material.

PowerMod HP contacts are durable and rated for circuit interruption (true hot-pluggable). Series A contacts are available in #6 to #2 American wire gauge and 16mm<sup>2</sup> to 35mm<sup>2</sup> metric wire sizes for global design freedom. Our optional strain relief ensures superior contact reliability under adverse operating conditions.

APP PowerMod HP connectors embody the highest quality in the industry and meet all applicable industry standards.

### Features

- **Positive latching**  
*Integral latches with ergonomic release provide over 50 lbs retention*
- **Strain relief option**  
*Reduces risk of wire insulation creep and reduces transmission of wire loads to contacts improving service life*
- **Low connector mating forces**  
*Connectors are easily mated and un-mated*
- **Silver plated, high conductivity contacts**  
*Offers greater longevity for high power, elevated temperature applications*
- **Ease of assembly**  
*Intuitive design allows for simplicity of assembly*



### SPECIFICATIONS

| Electrical                      |                 | Mechanical                                |                           |
|---------------------------------|-----------------|---|---------------------------|
| Current Rating                  |                 | Mating Force                              | 15 lbs. (66.72N) avg      |
| UL                              | 210 Amps        | Latch Retention Force                     | 50 lbs. (222N) min        |
| CSA (30°C Rise)                 | 130 Amps        | Contact Retention Force                   | 100 lbs. (445N) min       |
| UL / CSA Voltage Rating         | 600 Volts       | Mating                                    |                           |
| Wire Size (AWG)                 | #6 to #2        | a. No Load(Contact/Disconnect Cycles)     | 500 Cycles                |
| (mm <sup>2</sup> )              | 16 to 35        | b. Under Load(Hot Plug 250 cycles @ 120V) | 80A                       |
| Insulation Withstanding Voltage | 2200 Volts      | <b>Materials</b>                          |                           |
| Operating Temperature Range °C  | minus 40-130 °C | Housing & Cable Clamp                     | PBT UL94 V-0              |
| Ambient Temperature Range °C    | minus 40-85 °C  | Latch                                     | PEI UL94 V-0              |
|                                 |                 | Contacts                                  | Copper alloy silver plate |
|                                 |                 | Hardware                                  | Steel zinc chromate       |



### ORDERING INFORMATION

#### PowerMod HP Part Number Plan - Dual Pole Male

| Series                                   | Series | Gender | Model | Wire Size |
|--|--------|--------|-------|-----------|
| PMHP                                     | A      | M      | 11    | P05       |
| <b>A *</b>                               |        |        |       |           |
| M - Male                                 |        |        |       |           |
| 11 - Dual Pole Straight                  |        |        |       |           |
| 12 - Dual Pole Straight with Cable Clamp |        |        |       |           |
| P05 - 6 AWG                              |        |        |       |           |
| P04 - 16mm <sup>2</sup>                  |        |        |       |           |
| P03 - 4 AWG                              |        |        |       |           |
| P02 - 25mm <sup>2</sup>                  |        |        |       |           |
| P01 - 2 AWG & 35mm <sup>2</sup>          |        |        |       |           |

#### Components

| Part Number | Description   |
|-------------|---|
| PMHPAM11    | Housing Kit, Male, Dual Pole, Straight                  |
| PMHPAM12    | Housing Kit with Cable Clamp, Male, Dual Pole, Straight |
| PMHPAP05    | Pin, Series A, Crimp for 6 AWG wire                     |
| PMHPAP04    | Pin, Series A, Crimp for 16mm <sup>2</sup> wire         |
| PMHPAP03    | Pin, Series A, Crimp for 4 AWG wire                     |
| PMHPAP02    | Pin, Series A, Crimp for 25mm <sup>2</sup> wire         |
| PMHPAP01    | Pin, Series A, Crimp for 2 AWG & 35mm <sup>2</sup> wire |
| PMHPAC02    | Dual Pole Cable Clamp Kit                               |

\* Maximum wire size 2 AWG or 35mm<sup>2</sup>

HEADQUARTERS: 13 Pratts Junction Road, P.O. Box 579, Sterling, MA 01564 T:978-422-3600 F:978-422-3700

EUROPE: Rathealy Road, Fermoy Co. Cork, Ireland T:353-(0)25-32277 F:353-(0)25-32296

ASIA/PACIFIC: IDEAL Anderson Asia Pacific Ltd., Unit 922-928 Topsail Plaza, 11 On Sum Street, Shatin N.T., Hong Kong T:852-2636-0836 F:852-2635-9036

CHINA: IDEAL Anderson Technologies (Shenzhen) Ltd., Block A8 Tantou W. Ind. Par, Songgang Baoan District, Shenzhen, P.R. China 51810 T: 86-755-2768-2118 F: 86-755-2768-2218

TAIWAN: IDEAL Anderson Asia Pacific Ltd., Taiwan Branch, 4F-2, No.116, Dadun 20th St., Situn District, Taichung City 407, Taiwan (R.O.C.) T: 886-4-2310-6451 F:886-4-2310-6460

[www.andersonpower.com](http://www.andersonpower.com)

## ORDERING INFORMATION

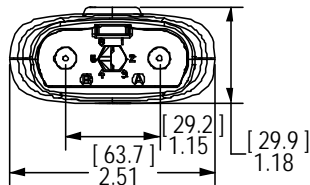
### Tooling

| Pneumatic Production Tool   |             |         |             |                  |
|-----------------------------|-------------|---------|-------------|------------------|
| Wire Size                   | Part Number | Die P/N | Locator P/N | Number of Crimps |
| #2 AWG<br>35mm <sup>2</sup> | 1387G2      | 1303G13 | 1304G19     | 2                |
| 25mm <sup>2</sup>           | 1387G2      | 1303G13 | 1304G19     | 2                |
| #4 AWG<br>16mm <sup>2</sup> | 1387G2      | 1303G14 | 1304G19     | 2                |
| #6 AWG                      | 1387G2      | 1303G14 | 1304G19     | 2                |

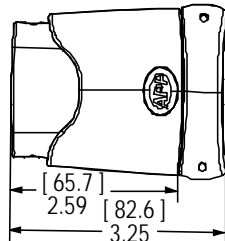
| Hand Tool                   |           |         |         |                  |
|-----------------------------|-----------|---------|---------|------------------|
| Wire Size                   | Hydraulic | Battery | Die P/N | Number of Crimps |
| #2 AWG<br>35mm <sup>2</sup> | 1387G3    | 1370    | 1322G7  | 2                |
| 25mm <sup>2</sup>           | 1387G3    | 1370    | 1322G11 | 2                |
| #4 AWG<br>16mm <sup>2</sup> | 1387G3    | 1370    | 1322G8  | 2                |
| #6 AWG                      | 1387G3    | 1370    | 1322G9  | 2                |

## DIMENSIONS

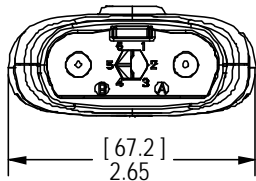
### Front Without Strain Relief



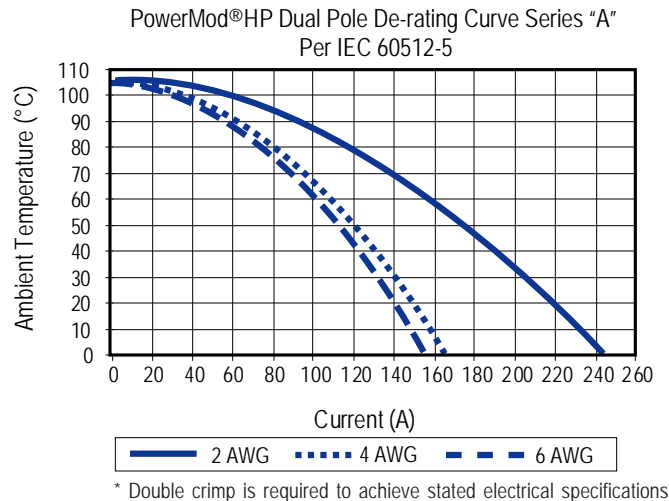
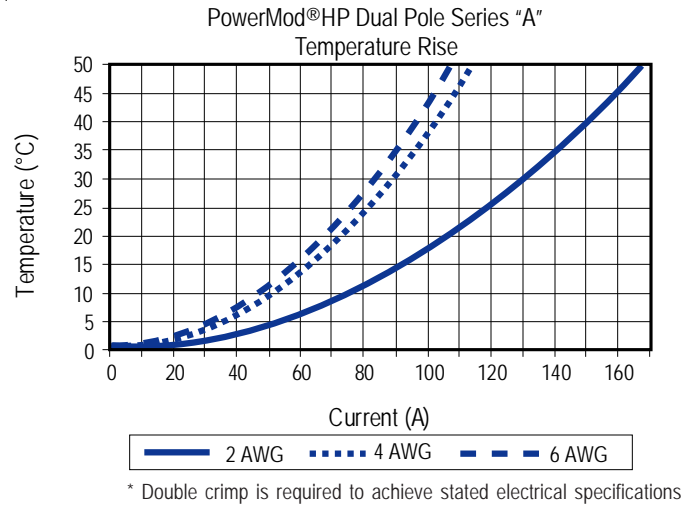
### Side



### Front With Strain Relief



## TEMPERATURE CHART



## MATING CONNECTORS

Dual Pole Straight Female

Dual Pole Right Angle Female



All Data Subject To Change Without Notice

HEADQUARTERS: 13 Pratts Junction Road, P.O. Box 579, Sterling, MA 01564 T:978-422-3600 F:978-422-3700

EUROPE: Rathealy Road, Fermoy Co. Cork, Ireland T:353-(0)25-32277 F:353-(0)25-32296

ASIA/PACIFIC: IDEAL Anderson Asia Pacific Ltd., Unit 922-928 Topsail Plaza, 11 On Sum Street, Shatin N.T., Hong Kong T:852-2636-0836 F:852-2635-9036

CHINA: IDEAL Anderson Technologies (Shenzhen) Ltd., Block A8 Tantou W. Ind. Par, Songgang Baoan District, Shenzhen, P.R. China 51810 T: 86-755-2768-2118 F: 86-755-2768-2218

TAIWAN: IDEAL Anderson Asia Pacific Ltd., Taiwan Branch, 4F.-2, No.116, Dadun 20th St., Situn District, Taichung City 407, Taiwan (R.O.C.) T: 886-4-2310-6451 F:886-4-2310-6460

[www.andersonpower.com](http://www.andersonpower.com)

PowerMod HP connectors, developed by Anderson Power Products, are the innovative New Generation of High Power Interconnections for the Electronics Industry.

The touch-safe, positive latching, PowerMod HP female connector design presents a new standard for high power connector safety. The ergonomic latch release is simple to operate and is colored blue for clear identification. Housings are a black UL94 V-0 flame retardant material.

PowerMod HP contacts are durable and rated for circuit interruption (true hot-pluggable). Series A contacts are available in #6 to #2 American wire gauge and 16mm<sup>2</sup> to 35mm<sup>2</sup> metric wire sizes for global design freedom. Our optional strain relief ensures superior contact reliability under adverse operating conditions.

APP PowerMod HP connectors embody the highest quality in the industry and meet all applicable industry standards.

### Features

- Positive latching**  
*Integral latches with ergonomic release provide over 50 lbs retention*
- Touch safe female connectors**  
*Provides IP20 protection for safe, energized use outside the electronics cabinet*
- High performance, hot pluggable female contacts**  
*Our patented design provides greater longevity for high power, elevated temperature applications*
- Strain relief option**  
*Reduces risk of wire insulation creep and reduces transmission of wire loads to contacts improving service life*
- Low connector mating forces**  
*Connectors are easily mated and un-mated*



### SPECIFICATIONS

| Electrical                      |                 | Mechanical                                |                           |
|---------------------------------|-----------------|---|---------------------------|
| Current Rating                  |                 | Mating Force                              | 15 lbs. (66.72N) avg      |
| UL                              | 210 Amps        | Latch Retention Force                     | 50 lbs. (222N) min        |
| CSA (30°C Rise)                 | 130 Amps        | Contact Retention Force                   | 100 lbs. (445N) min       |
| UL / CSA Voltage Rating         | 600 Volts       | Mating                                    |                           |
| Wire Size (AWG)                 | #6 to #2        | a. No Load(Contact/Disconnect Cycles)     | 500 Cycles                |
| (mm <sup>2</sup> )              | 16 to 35        | b. Under Load(Hot Plug 250 cycles @ 120V) | 80A                       |
| Insulation Withstanding Voltage | 2200 Volts      | <b>Materials</b>                          |                           |
| Operating Temperature Range °C  | minus 40-130 °C | Housing & Cable Clamp                     | PBT UL94 V-0              |
| Ambient Temperature Range °C    | minus 40-85 °C  | Latch                                     | PEI UL94 V-0              |
|                                 |                 | Contacts                                  | Copper alloy silver plate |
|                                 |                 | Hardware                                  | Steel zinc chromate       |



File No. E26226

### ORDERING INFORMATION

#### PowerMod HP Part Number Plan - Dual Pole Female

| Series                                   | Series | Gender | Model | Wire Size |
|--|--------|--------|-------|-----------|
| PMHP                                     | A      | F      | 11    | S05       |
| A *                                      |        |        |       |           |
| F - Female                               |        |        |       |           |
| 11 - Dual Pole Straight                  |        |        |       |           |
| 12 - Dual Pole Straight with Cable Clamp |        |        |       |           |
| S05 - 6 AWG                              |        |        |       |           |
| S04 - 16mm <sup>2</sup>                  |        |        |       |           |
| S03 - 4 AWG                              |        |        |       |           |
| S02 - 25mm <sup>2</sup>                  |        |        |       |           |
| S01 - 2 AWG & 35mm                       |        |        |       |           |

#### Components

| Part Number | Description  |
|-------------|--|
| PMHPAF11    | Housing Kit, Female, Dual Pole, Straight                   |
| PMHPAF12    | Housing Kit with Cable Clamp, Female, Dual Pole, Straight  |
| PMHPAS05    | Socket, Series A, Crimp for 6 AWG wire                     |
| PMHPAS04    | Socket, Series A, Crimp for 16mm <sup>2</sup> wire         |
| PMHPAS03    | Socket, Series A, Crimp for 4 AWG wire                     |
| PMHPAS02    | Socket, Series A, Crimp for 25mm <sup>2</sup> wire         |
| PMHPAS01    | Socket, Series A, Crimp for 2 AWG & 35mm <sup>2</sup> wire |
| PMHPAC02    | Dual Pole Cable Clamp Kit                                  |

\* Maximum wire size 2 AWG or 35mm<sup>2</sup>

HEADQUARTERS: 13 Pratts Junction Road, P.O. Box 579, Sterling, MA 01564 T:978-422-3600 F:978-422-3700

EUROPE: Rathealy Road, Fermoy Co. Cork, Ireland T:353-(0)25-32277 F:353-(0)25-32296

ASIA/PACIFIC: IDEAL Anderson Asia Pacific Ltd., Unit 922-928 Topsail Plaza, 11 On Sum Street, Shatin N.T., Hong Kong T:852-2636-0836 F:852-2635-9036

CHINA: IDEAL Anderson Technologies (Shenzhen) Ltd., Block A8 Tantou W. Ind. Par, Songgang Baoan District, Shenzhen, P.R. China 51810 T: 86-755-2768-2118 F: 86-755-2768-2218

TAIWAN: IDEAL Anderson Asia Pacific Ltd., Taiwan Branch, 4F.-2, No.116, Dadun 20th St., Situn District, Taichung City 407, Taiwan (R.O.C.) T: 886-4-2310-6451 F:886-4-2310-6460

[www.andersonpower.com](http://www.andersonpower.com)

## ORDERING INFORMATION

### Tooling

| Pneumatic Production Tool   |             |         |             |                  |
|-----------------------------|-------------|---------|-------------|------------------|
| Wire Size                   | Part Number | Die P/N | Locator P/N | Number of Crimps |
| #2 AWG<br>35mm <sup>2</sup> | 1387G2      | 1303G13 | 1304G19     | 2                |
| 25mm <sup>2</sup>           | 1387G2      | 1303G13 | 1304G19     | 2                |
| #4 AWG                      | 1387G2      | 1303G14 | 1304G19     | 2                |
| 16mm <sup>2</sup>           | 1387G2      | 1303G14 | 1304G19     | 2                |
| #6 AWG                      | 1387G2      | 1303G14 | 1304G19     | 2                |

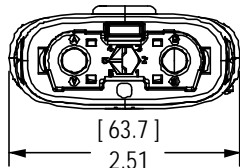
| Hand Tool                   |           |         |         |                  |
|-----------------------------|-----------|---------|---------|------------------|
| Wire Size                   | Hydraulic | Battery | Die P/N | Number of Crimps |
| #2 AWG<br>35mm <sup>2</sup> | 1387G3    | 1370    | 1322G7  | 2                |
| 25mm <sup>2</sup>           | 1387G3    | 1370    | 1322G11 | 2                |
| #4 AWG                      | 1387G3    | 1370    | 1322G8  | 2                |
| 16mm <sup>2</sup>           | 1387G3    | 1370    | 1322G10 | 2                |
| #6 AWG                      | 1387G3    | 1370    | 1322G9  | 2                |

### Accessories

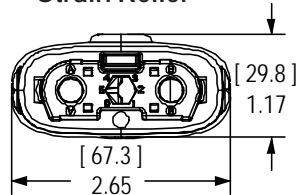
| Part Number | Description |
|-------------|-------------|
| PMHPAFDC    | Dust Cover  |

## DIMENSIONS

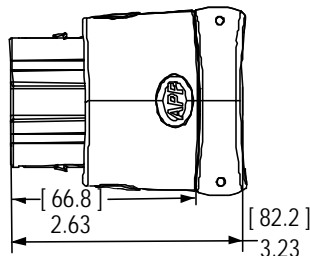
### Front Without Strain Relief



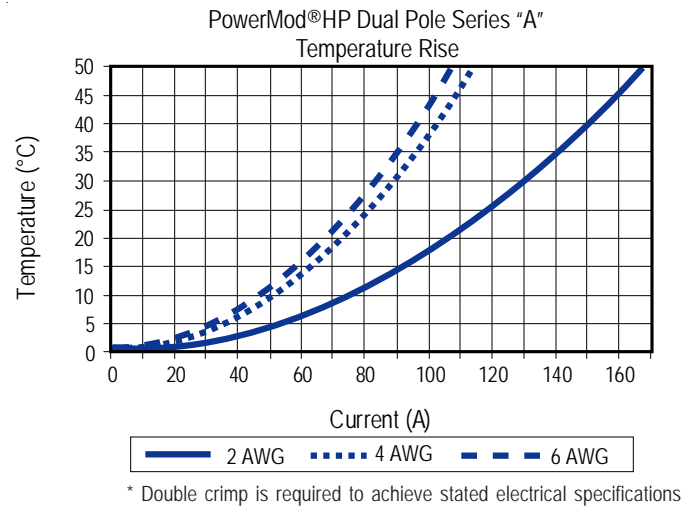
### Front With Strain Relief



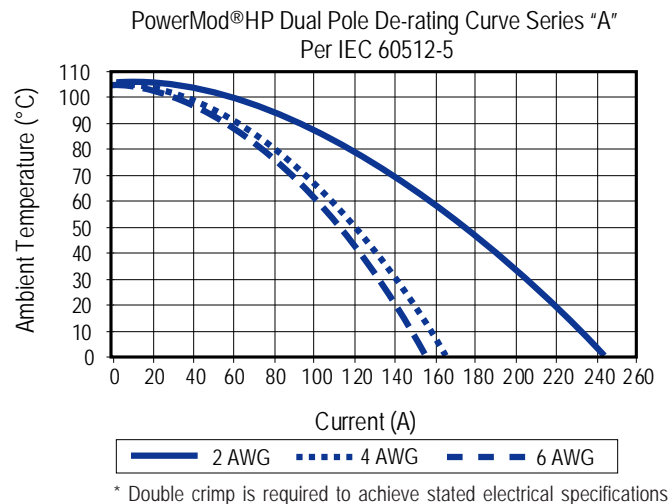
### Side



## TEMPERATURE CHART



\* Double crimp is required to achieve stated electrical specifications



\* Double crimp is required to achieve stated electrical specifications

## MATING CONNECTORS

Dual Pole  
Straight Male

Dual Pole Panel  
Mount Male



All Data Subject To Change Without Notice

HEADQUARTERS: 13 Pratts Junction Road, P.O. Box 579, Sterling, MA 01564 T:978-422-3600 F:978-422-3700

EUROPE: Rahealy Road, Fermoy Co. Cork, Ireland T:353-(0)25-32277 F:353-(0)25-32296

ASIA/PACIFIC: IDEAL Anderson Asia Pacific Ltd., Unit 922-928 Topsail Plaza, 11 On Sum Street, Shatin N.T., Hong Kong T:852-2636-0836 F:852-2635-9036

CHINA: IDEAL Anderson Technologies (Shenzhen) Ltd., Block A8 Tantou W. Ind. Par, Songgang Baoan District, Shenzhen, P.R. China 51810 T: 86-755-2768-2118 F: 86-755-2768-2218

TAIWAN: IDEAL Anderson Asia Pacific Ltd., Taiwan Branch, 4F.-2, No.116, Dadun 20th St., Situn District, Taichung City 407, Taiwan (R.O.C.) T: 886-4-2310-6451 F:886-4-2310-6460

[www.andersonpower.com](http://www.andersonpower.com)



PowerMod HP connectors, developed by Anderson Power Products, are the innovative New Generation of High Power Interconnections for the Electronics Industry.

The touch-safe, positive latching, PowerMod HP female connector design presents a new standard for high power connector safety. The ergonomic latch release is simple to operate and is colored blue for clear identification. Housings are a black UL94 V-0 flame retardant material.

PowerMod HP contacts are durable and rated for circuit interruption (true hot-pluggable). Series A contacts are available in #6 to #2 American wire gauge and 16mm<sup>2</sup> to 35mm<sup>2</sup> metric wire sizes for global design freedom. Our \*strain relief ensures superior contact reliability under adverse operating conditions.

APP PowerMod HP connectors embody the highest quality in the industry and meet all applicable industry standards.

\* Strain relief not optional on right angle

### Features

- **Right angle connector**  
*Offers short mated length for tight wiring applications*
- **Positive latching**  
*Integral Latches with ergonomic release provide over 50 lbs retention*
- **Touch safe female connectors**  
*Provides IP20 protection for safe, energized use outside the electronics cabinet*
- **High performance, hot pluggable female contacts**  
*Our patented design provides greater longevity for high power, elevated temperature applications*
- **Low connector mating forces**  
*Connectors are easily mated and un-mated*



### SPECIFICATIONS

| Electrical                      |                 | Mechanical                                |                           |
|---------------------------------|-----------------|---|---------------------------|
| Current Rating                  |                 | Mating Force                              | 15 lbs. (66.72N) avg      |
| UL                              | 210 Amps        | Latch Retention Force                     | 50 lbs. (222N) min        |
| CSA (30°C Rise)                 | 130 Amps        | Contact Retention Force                   | 100 lbs. (445N) min       |
| UL / CSA Voltage Rating         | 600 Volts       | Mating                                    |                           |
| Wire Size (AWG)                 | #6 to #2        | a. No Load(Contact/Disconnect Cycles)     | 500 Cycles                |
| (mm <sup>2</sup> )              | 16 to 35        | b. Under Load(Hot Plug 250 cycles @ 120V) | 80A                       |
| Insulation Withstanding Voltage | 2200 Volts      | <b>Materials</b>                          |                           |
| Operating Temperature Range °C  | minus 40-130 °C | Housing & Cable Clamp                     | PBT UL94 V-0              |
| Ambient Temperature Range °C    | minus 40-85 °C  | Latch                                     | PEI UL94 V-0              |
|                                 |                 | Contacts                                  | Copper alloy silver plate |
|                                 |                 | Hardware                                  | Steel zinc chromate       |



### ORDERING INFORMATION

#### PowerMod HP Part Number Plan - Dual Pole Right Angle Female

| Series                              | Series | Gender | Model | Wire Size |
|-------------------------------------|--------|--------|-------|-----------|
| PMHP                                | A      | F      | 13    | S10       |
| A *                                 |        |        |       |           |
| F - Female                          |        |        |       |           |
| 13 - Dual Pole R/A with Cable Clamp |        |        |       |           |
| S10 - 6 AWG                         |        |        |       |           |
| S09 - 16mm <sup>2</sup>             |        |        |       |           |
| S08 - 4 AWG                         |        |        |       |           |
| S07 - 25mm <sup>2</sup>             |        |        |       |           |
| S06 - 2 AWG & 35mm <sup>2</sup>     |        |        |       |           |

\* Maximum wire size 2 AWG or 35mm<sup>2</sup>

#### Components

| Part Number | Description  |
|-------------|--|
| PMHPAF13    | Housing Kit With Cable Clamp, Female, Dual Pole, R/A       |
| PMHPAS10    | Socket, Series A, Crimp for 6 AWG wire                     |
| PMHPAS09    | Socket, Series A, Crimp for 16mm <sup>2</sup> wire         |
| PMHPAS08    | Socket, Series A, Crimp for 4 AWG wire                     |
| PMHPAS07    | Socket, Series A, Crimp for 25mm <sup>2</sup> wire         |
| PMHPAS06    | Socket, Series A, Crimp for 2 AWG & 35mm <sup>2</sup> wire |

HEADQUARTERS: 13 Pratts Junction Road, P.O. Box 579, Sterling, MA 01564 T:978-422-3600 F:978-422-3700

EUROPE: Rahealy Road, Fermoy Co. Cork, Ireland T:353-(0)25-32277 F:353-(0)25-32296

ASIA/PACIFIC: IDEAL Anderson Asia Pacific Ltd., Unit 922-928 Topsail Plaza, 11 On Sum Street, Shatin N.T., Hong Kong T:852-2636-0836 F:852-2635-9036

CHINA: IDEAL Anderson Technologies (Shenzhen) Ltd., Block A8 Tantou W. Ind. Par, Songgang Baoan District, Shenzhen, P.R. China 51810 T: 86-755-2768-2118 F: 86-755-2768-2218

TAIWAN: IDEAL Anderson Asia Pacific Ltd., Taiwan Branch, 4F-2, No.116, Dadun 20th St., Situn District, Taichung City 407, Taiwan (R.O.C.) T: 886-4-2310-6451 F:886-4-2310-6460

[www.andersonpower.com](http://www.andersonpower.com)

## ORDERING INFORMATION

### Tooling

| Pneumatic Production Tool   |             |         |             |                  |
|-----------------------------|-------------|---------|-------------|------------------|
| Wire Size                   | Part Number | Die P/N | Locator P/N | Number of Crimps |
| #2 AWG<br>35mm <sup>2</sup> | 1387G2      | 1303G13 | 1304G19     | 2                |
| 25mm <sup>2</sup>           | 1387G2      | 1303G13 | 1304G19     | 2                |
| #4 AWG<br>16mm <sup>2</sup> | 1387G2      | 1303G14 | 1304G19     | 2                |
| #6 AWG                      | 1387G2      | 1303G14 | 1304G19     | 2                |

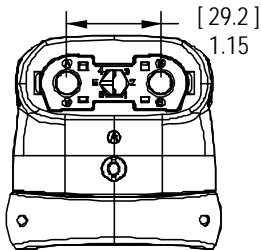
| Hand Tool                   |           |         |         |                  |
|-----------------------------|-----------|---------|---------|------------------|
| Wire Size                   | Hydraulic | Battery | Die P/N | Number of Crimps |
| #2 AWG<br>35mm <sup>2</sup> | 1387G3    | 1370    | 1322G7  | 2                |
| 25mm <sup>2</sup>           | 1387G3    | 1370    | 1322G11 | 2                |
| #4 AWG<br>16mm <sup>2</sup> | 1387G3    | 1370    | 1322G8  | 2                |
| #6 AWG                      | 1387G3    | 1370    | 1322G9  | 2                |

### Accessories

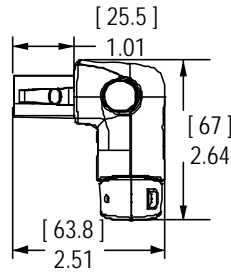
| Part Number | Description |
|-------------|-------------|
| PMHPAFDC    | Dust Cover  |

## DIMENSIONS

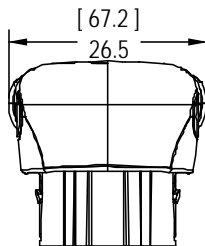
Front With Strain Relief



Side With Strain Relief



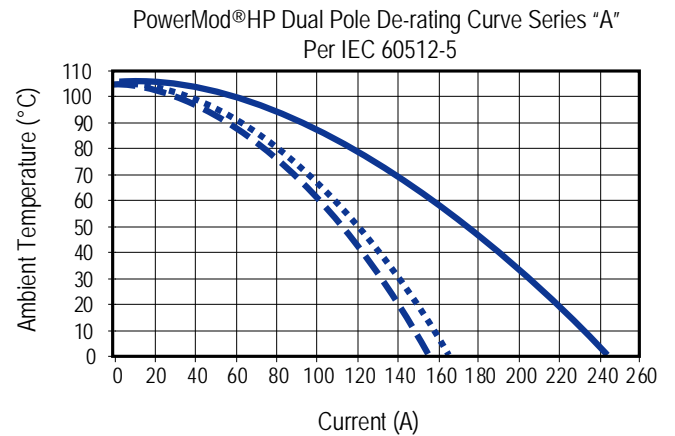
Top



## TEMPERATURE CHART



\* Double crimp is required to achieve stated electrical specifications



\* Double crimp is required to achieve stated electrical specifications

## MATING CONNECTORS

Dual Pole Straight Male



Dual Pole Panel Mount Male



All Data Subject To Change Without Notice

HEADQUARTERS: 13 Pratts Junction Road, P.O. Box 579, Sterling, MA 01564 T:978-422-3600 F:978-422-3700

EUROPE: Rathealy Road, Fermoy Co. Cork, Ireland T:353-(0)25-32277 F:353-(0)25-32296

ASIA/PACIFIC: IDEAL Anderson Asia Pacific Ltd., Unit 922-928 Topsail Plaza, 11 On Sum Street, Shatin N.T., Hong Kong T:852-2636-0836 F:852-2635-9036

CHINA: IDEAL Anderson Technologies (Shenzhen) Ltd., Block A8 Tantou W. Ind. Par, Songgang Baoan District, Shenzhen, P.R. China 51810 T: 86-755-2768-2118 F: 86-755-2768-2218

TAIWAN: IDEAL Anderson Asia Pacific Ltd., Taiwan Branch, 4F.-2, No.116, Dadun 20th St., Situn District, Taichung City 407, Taiwan (R.O.C.) T: 886-4-2310-6451 F:886-4-2310-6460

[www.andersonpower.com](http://www.andersonpower.com)

PowerMod HP connectors, developed by Anderson Power Products, are the innovative New Generation of High Power Interconnections for the Electronics Industry.

The touch-safe PowerMod HP female panel connector is designed for high power connector safety. Male panel connectors are designed for blind mating with female panel connectors or positive latching with female cable connectors. Housings are a black UL94 V-0 flame retardant material.

PowerMod HP contacts are durable and rated for circuit interruption (true hot-pluggable). Series A contacts are available in #6 to #2 American wire gauge and 16mm<sup>2</sup> to 35mm<sup>2</sup> metric wire sizes for global design freedom.

Our optional blind mating hardware accommodates up to +/- .125" (3mm) of misalignment and is available for both male and female panel connectors.

APP PowerMod HP connectors embody the highest quality in the industry and meet all applicable industry standards.

### Features

- **Positive latching**  
*Integral Latches with ergonomic release provide over 50 lbs retention*
- **Low connector mating forces**  
*Connectors are easily mated and un-mated*
- **Blind mate panel mount option**  
*Provides over +/- .125" (3mm) of float mount capability*
- **Ease of assembly**  
*Intuitive design allows for simplicity of assembly*



Panel Mount



Panel Mount Blind Mate

## SPECIFICATIONS

### Electrical

|                                 |  |                 |
|---------------------------------|--|-----------------|
| Current Rating                  |  |                 |
| UL                              |  | 210 Amps        |
| CSA (30°C Rise)                 |  | 130 Amps        |
| UL / CSA Voltage Rating         |  | 600 Volts       |
| Wire Size (AWG)                 |  | #6 to #2        |
| (mm <sup>2</sup> )              |  | 16 to 35        |
| Insulation Withstanding Voltage |  | 2200 Volts      |
| Operating Temperature Range °C  |  | minus 40-130 °C |
| Ambient Temperature Range °C    |  | minus 40-85 °C  |



### Mechanical

|   |                      |
|---|----------------------|
| Mating Force                              | 15 lbs. (66.72N) avg |
| Latch Retention Force                     | 50 lbs. (222N) min   |
| Contact Retention Force                   | 100 lbs. (445N) min  |
| Mating                                    |                      |
| a. No Load(Contact/Disconnect Cycles)     | 500 Cycles           |
| b. Under Load(Hot Plug 250 cycles @ 120V) | 80A                  |

### Materials

|                       |                           |
|-----------------------|---------------------------|
| Housing & Cable Clamp | PBT UL94 V-0              |
| Latch                 | PEI UL94 V-0              |
| Contacts              | Copper alloy silver plate |
| Hardware              | Steel zinc chromate       |

## ORDERING INFORMATION

### PowerMod HP Part Number Plan - Dual Pole Panel Mount Male

| Series                                    | Series | Gender | Model | Wire Size |
|---|--------|--------|-------|-----------|
| PMHP                                      | A      | M      | 14    | P05       |
| A *                                       |        |        |       |           |
| M - Male                                  |        |        |       |           |
| 14 - Dual Pole Male Panel Mount           |        |        |       |           |
| 15 - Dual Pole Male Blindmate Panel Mount |        |        |       |           |
| P05 - 6 AWG                               |        |        |       |           |
| P04 - 16mm <sup>2</sup>                   |        |        |       |           |
| P03 - 4 AWG                               |        |        |       |           |
| P02 - 25mm <sup>2</sup>                   |        |        |       |           |
| P01 - 2 AWG & 35mm <sup>2</sup>           |        |        |       |           |

\* Maximum wire size 2 AWG or 35mm<sup>2</sup>

### Components

| Part Number | Description  |
|-------------|--|
| PMHPAM14    | Housing Kit, Male, Dual Pole, Panel Mount With Key                   |
| PMHPAM15    | Housing Kit, Male, Dual Pole, Panel Mount No Key With Blindmate Post |
| PMHPAP05    | Pin, Series A, Crimp for 6 AWG wire                                  |
| PMHPAP04    | Pin, Series A, Crimp for 16mm <sup>2</sup> wire                      |
| PMHPAP03    | Pin, Series A, Crimp for 4 AWG wire                                  |
| PMHPAP02    | Pin, Series A, Crimp for 25mm <sup>2</sup> wire                      |
| PMHPAP01    | Pin, Series A, Crimp for 2 AWG & 35mm <sup>2</sup> wire              |
| PMHPAFMH    | Float Mount Kit  |

HEADQUARTERS: 13 Pratts Junction Road, P.O. Box 579, Sterling, MA 01564 T:978-422-3600 F:978-422-3700

EUROPE: Rathealy Road, Fermoy Co. Cork, Ireland T:353-(0)25-32277 F:353-(0)25-32296

ASIA/PACIFIC: IDEAL Anderson Asia Pacific Ltd., Unit 922-928 Topsail Plaza, 11 On Sum Street, Shatin N.T., Hong Kong T:852-2636-0836 F:852-2635-9036

CHINA: IDEAL Anderson Technologies (Shenzhen) Ltd., Block A8 Tantou W. Ind. Par, Songgang Baoan District, Shenzhen, P.R. China 51810 T: 86-755-2768-2118 F: 86-755-2768-2218

TAIWAN: IDEAL Anderson Asia Pacific Ltd., Taiwan Branch, 4F.-2, No.116, Dadun 20th St., Situn District, Taichung City 407, Taiwan (R.O.C.) T: 886-4-2310-6451 F:886-4-2310-6460

[www.andersonpower.com](http://www.andersonpower.com)

## ORDERING INFORMATION

### Tooling

| Pneumatic Production Tool   |             |         |             |                  |
|-----------------------------|-------------|---------|-------------|------------------|
| Wire Size                   | Part Number | Die P/N | Locator P/N | Number of Crimps |
| #2 AWG<br>35mm <sup>2</sup> | 1387G2      | 1303G13 | 1304G19     | 2                |
| 25mm <sup>2</sup>           | 1387G2      | 1303G13 | 1304G19     | 2                |
| #4 AWG<br>16mm <sup>2</sup> | 1387G2      | 1303G14 | 1304G19     | 2                |
| #6 AWG                      | 1387G2      | 1303G14 | 1304G19     | 2                |

| Hand Tool                   |           |         |         |                  |
|-----------------------------|-----------|---------|---------|------------------|
| Wire Size                   | Hydraulic | Battery | Die P/N | Number of Crimps |
| #2 AWG<br>35mm <sup>2</sup> | 1387G3    | 1370    | 1322G7  | 2                |
| 25mm <sup>2</sup>           | 1387G3    | 1370    | 1322G11 | 2                |
| #4 AWG<br>16mm <sup>2</sup> | 1387G3    | 1370    | 1322G8  | 2                |
| #6 AWG                      | 1387G3    | 1370    | 1322G10 | 2                |

### Accessories

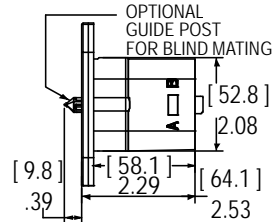
| Part Number | Description |
|-------------|-------------|
| PMHPAMDC    | Dust Cover  |

## DIMENSIONS

### Front



### Top

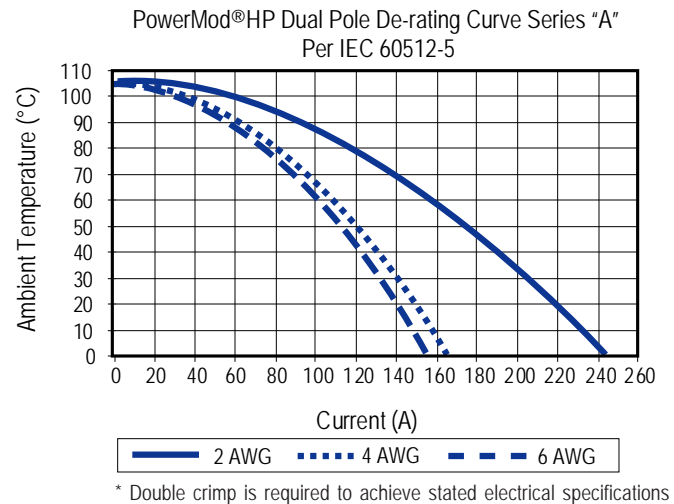
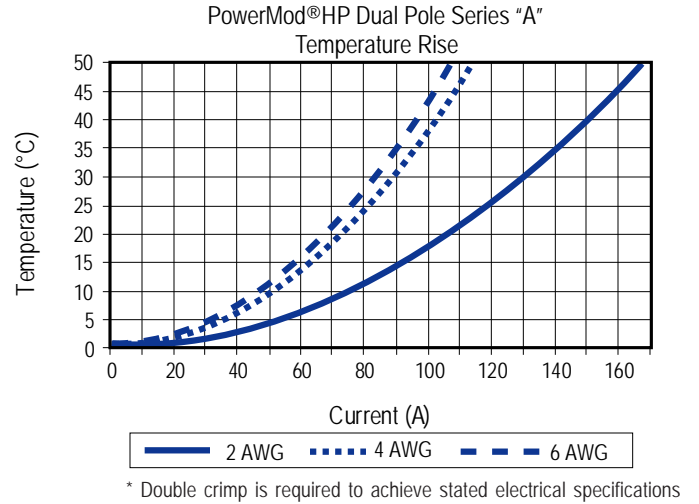


### Cut Out



All Data Subject To Change Without Notice

## TEMPERATURE CHART



## MATING CONNECTORS

Dual Pole Panel Mount Female - (mates with panel mount blind mate only)



Dual Pole Straight Female

Dual Pole Right Angle Female



HEADQUARTERS: 13 Pratts Junction Road, P.O. Box 579, Sterling, MA 01564 T:978-422-3600 F:978-422-3700

EUROPE: Raheen Road, Fermoy Co. Cork, Ireland T:353-(0)25-32277 F:353-(0)25-32296

ASIA/PACIFIC: IDEAL Anderson Asia Pacific Ltd., Unit 922-928 Topsail Plaza, 11 On Sum Street, Shatin N.T., Hong Kong T:852-2636-0836 F:852-2635-9036

CHINA: IDEAL Anderson Technologies (Shenzhen) Ltd., Block A8 Tantou W. Ind. Par, Songgang Baoan District, Shenzhen, P.R. China 51810 T: 86-755-2768-2118 F: 86-755-2768-2218

TAIWAN: IDEAL Anderson Asia Pacific Ltd., Taiwan Branch, 4F.-2, No.116, Dadun 20th St., Situn District, Taichung City 407, Taiwan (R.O.C.) T: 886-4-2310-6451 F:886-4-2310-6460

www.andersonpower.com

PowerMod HP connectors, developed by Anderson Power Products, are the innovative New Generation of High Power Interconnections for the Electronics Industry.

The touch-safe PowerMod HP female panel connector is designed for high power connector safety. Male panel connectors are designed for blind mating with female panel connectors or positive latching with female cable connectors. Housings are a black UL94 V-0 flame retardant material.

PowerMod HP contacts are durable and rated for circuit interruption (true hot-pluggable). Series A contacts are available in #6 to #2 American wire gauge and 16mm<sup>2</sup> to 35mm<sup>2</sup> metric wire sizes for global design freedom.

Our optional blind mating hardware accommodates up to +/- .125" (3mm) of misalignment and is available for both male and female panel connectors.

APP PowerMod HP connectors embody the highest quality in the industry and meet all applicable industry standards.

### Features

- **Blind mate panel mount option**  
*Provides over +/- .125" (3mm) of float mount capability*
- **Touch safe female connectors**  
*Provides IP20 protection for safe, energized use outside the electronics cabinet*
- **High performance, hot pluggable female contacts**  
*Our patented design provides greater longevity for high power, elevated temperature applications*
- **Low connector mating forces**  
*Connectors are easily mated and un-mated*
- **Ease of assembly**  
*Intuitive design allows for simplicity of assembly*



### SPECIFICATIONS

| Electrical                      |                 | Mechanical                                |                           |
|---------------------------------|-----------------|---|---------------------------|
| Current Rating                  |                 | Mating Force                              | 15 lbs. (66.72N) avg      |
| UL                              | 210 Amps        | Latch Retention Force                     | 50 lbs. (222N) min        |
| CSA (30°C Rise)                 | 130 Amps        | Contact Retention Force                   | 100 lbs. (445N) min       |
| UL / CSA Voltage Rating         | 600 Volts       | Mating                                    |                           |
| Wire Size (AWG)                 | #6 to #2        | a. No Load(Contact/Disconnect Cycles)     | 500 Cycles                |
| (mm <sup>2</sup> )              | 16 to 35        | b. Under Load(Hot Plug 250 cycles @ 120V) | 80A                       |
| Insulation Withstanding Voltage | 2200 Volts      | <b>Materials</b>                          |                           |
| Operating Temperature Range °C  | minus 40-130 °C | Housing & Cable Clamp                     | PBT UL94 V-0              |
| Ambient Temperature Range °C    | minus 40-85 °C  | Latch                                     | PEI UL94 V-0              |
|                                 |                 | Contacts                                  | Copper alloy silver plate |
|                                 |                 | Hardware                                  | Steel zinc chromate       |



File No. E26226

### ORDERING INFORMATION

#### PowerMod HP Part Number Plan - Dual Pole Panel Mount Blind Mate Female

| Series  | Series | Gender | Model | Wire Size |
|---|--------|--------|-------|-----------|
| PMHP  | A      | F      | 14    | S01       |
| A *<br>F - Female<br>14 - Dual Pole Female Panel Mount<br>S05 - 6 AWG<br>S04 - 16mm <sup>2</sup><br>S03 - 4 AWG<br>S02 - 25mm <sup>2</sup><br>S01 - 2 AWG & 35mm <sup>2</sup> |        |        |       |           |

\* Maximum wire size 2 AWG or 35mm<sup>2</sup>

#### Components

| Part Number | Description  |
|-------------|--|
| PMHPAF14    | Housing Kit, Female, Dual Pole, Panel Mount                |
| PMHPAS05    | Socket, Series A, Crimp for 6 AWG wire                     |
| PMHPAS04    | Socket, Series A, Crimp for 16mm <sup>2</sup> wire         |
| PMHPAS03    | Socket, Series A, Crimp for 4 AWG wire                     |
| PMHPAS02    | Socket, Series A, Crimp for 25mm <sup>2</sup> wire         |
| PMHPAS01    | Socket, Series A, Crimp for 2 AWG & 35mm <sup>2</sup> wire |
| PMHPAFMH    | Float Mount Kit  |

HEADQUARTERS: 13 Pratts Junction Road, P.O. Box 579, Sterling, MA 01564 T:978-422-3600 F:978-422-3700

EUROPE: Rathealy Road, Fermoy Co. Cork, Ireland T:353-(0)25-32277 F:353-(0)25-32296

ASIA/PACIFIC: IDEAL Anderson Asia Pacific Ltd., Unit 922-928 Topsail Plaza, 11 On Sum Street, Shatin N.T., Hong Kong T:852-2636-0836 F:852-2635-9036

CHINA: IDEAL Anderson Technologies (Shenzhen) Ltd., Block A8 Tantou W. Ind. Par, Songgang Baoan District, Shenzhen, P.R. China 51810 T: 86-755-2768-2118 F: 86-755-2768-2218

TAIWAN: IDEAL Anderson Asia Pacific Ltd., Taiwan Branch, 4F.-2, No.116, Dadun 20th St., Situn District, Taichung City 407, Taiwan (R.O.C.) T: 886-4-2310-6451 F:886-4-2310-6460

[www.andersonpower.com](http://www.andersonpower.com)

## ORDERING INFORMATION

### Tooling

| Pneumatic Production Tool   |             |         |             |                  |
|-----------------------------|-------------|---------|-------------|------------------|
| Wire Size                   | Part Number | Die P/N | Locator P/N | Number of Crimps |
| #2 AWG<br>35mm <sup>2</sup> | 1387G2      | 1303G13 | 1304G19     | 2                |
| 25mm <sup>2</sup>           | 1387G2      | 1303G13 | 1304G19     | 2                |
| #4 AWG                      | 1387G2      | 1303G14 | 1304G19     | 2                |
| 16mm <sup>2</sup>           | 1387G2      | 1303G14 | 1304G19     | 2                |
| #6 AWG                      | 1387G2      | 1303G14 | 1304G19     | 2                |

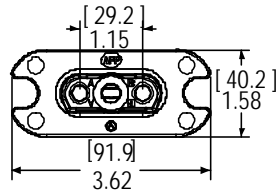
| Hand Tool                   |           |         |         |                  |
|-----------------------------|-----------|---------|---------|------------------|
| Wire Size                   | Hydraulic | Battery | Die P/N | Number of Crimps |
| #2 AWG<br>35mm <sup>2</sup> | 1387G3    | 1370    | 1322G7  | 2                |
| 25mm <sup>2</sup>           | 1387G3    | 1370    | 1322G11 | 2                |
| #4 AWG                      | 1387G3    | 1370    | 1322G8  | 2                |
| 16mm <sup>2</sup>           | 1387G3    | 1370    | 1322G10 | 2                |
| #6 AWG                      | 1387G3    | 1370    | 1322G9  | 2                |

### Accessories

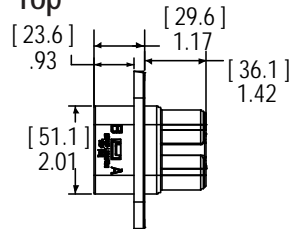
| Part Number | Description |
|-------------|-------------|
| PMHPAFDC    | Dust Cover  |

## DIMENSIONS

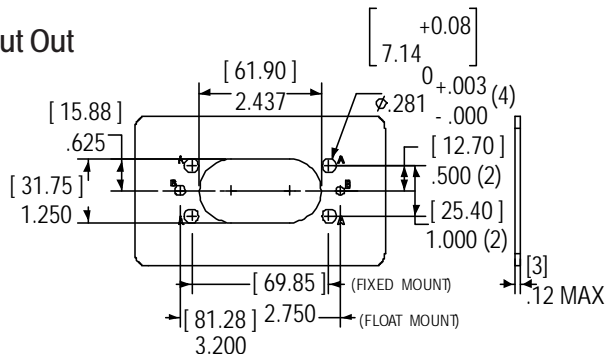
### Front



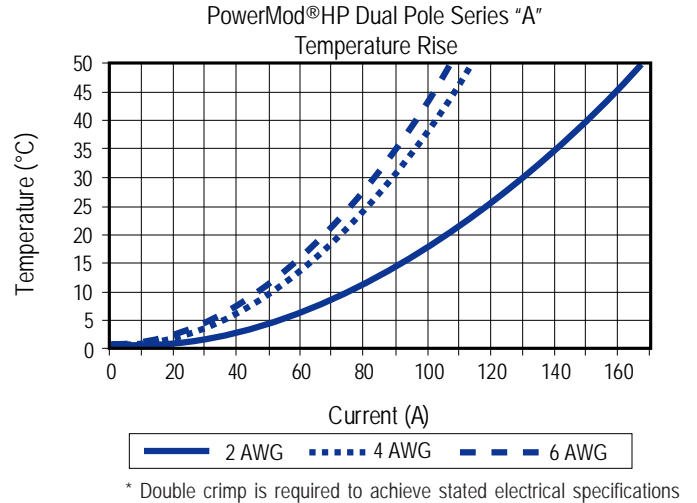
### Top



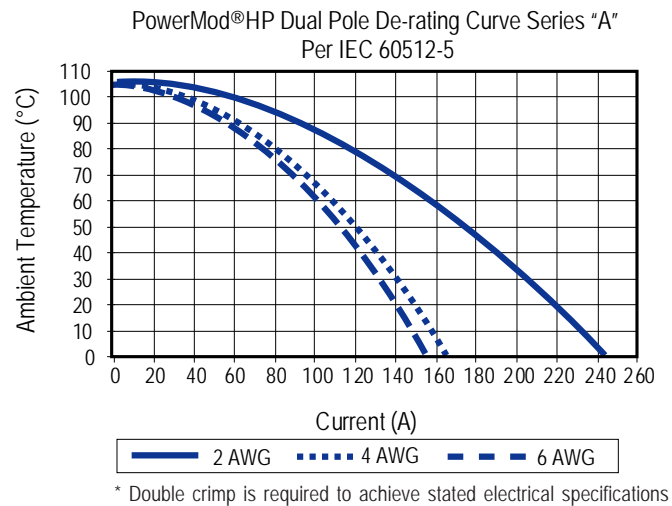
### Cut Out



## TEMPERATURE CHART



\* Double crimp is required to achieve stated electrical specifications



\* Double crimp is required to achieve stated electrical specifications

## MATING CONNECTORS

### Dual Pole Panel Mount Blind Mate Male



All Data Subject To Change Without Notice

HEADQUARTERS: 13 Pratts Junction Road, P.O. Box 579, Sterling, MA 01564 T:978-422-3600 F:978-422-3700

EUROPE: Rathealy Road, Fermoy Co. Cork, Ireland T:353-(0)25-32277 F:353-(0)25-32296

ASIA/PACIFIC: IDEAL Anderson Asia Pacific Ltd., Unit 922-928 Topsail Plaza, 11 On Sum Street, Shatin N.T., Hong Kong T:852-2636-0836 F:852-2635-9036

CHINA: IDEAL Anderson Technologies (Shenzhen) Ltd., Block A8 Tantou W. Ind. Par, Songgang Baoan District, Shenzhen, P.R. China 51810 T: 86-755-2768-2118 F: 86-755-2768-2218

TAIWAN: IDEAL Anderson Asia Pacific Ltd., Taiwan Branch, 4F.-2, No.116, Dadun 20th St., Situn District, Taichung City 407, Taiwan (R.O.C.) T: 886-4-2310-6451 F:886-4-2310-6460

[www.andersonpower.com](http://www.andersonpower.com)

### FEATURES

- **Positive latching**

*Integral latches with ergonomic release provide over 50 lbs retention*

- **Available in straight, right angle, panel mount, blind mate and bus bar styles**

*The flexibility of the PowerMod®HP system serves a broad range of electronics applications*

- **Touch safe female connectors**

*Provide IP20 protection for safe, energized use outside the electronics cabinet*

- **Polarized dual pole connectors with optional hex key**

*Dual pole housings prevent shorting from reverse mating and the optional hex key allows the user to create unique mating schemes*

- **Strain relief option**

*Reduces risk of wire insulation creep and reduces transmission of wire loads to contacts improving service life*

- **Low connector mating forces**

*Connectors are easily mated and un-mated*

- **Silver plated, high conductivity contacts**

*Offers greater longevity for high power, elevated temperature applications*

- **Ease of assembly**

*Intuitive design allows for simplicity of assembly*



|   |                      |
|---|----------------------|
| UL Current Rating                         |                      |
| SP  | 450 Amps             |
| DP  | 400 Amps             |
| CSA (30°C Rise)                           | 250 Amps             |
| Mating Force                              |                      |
| SP  | 16.5 lbs. (74N)      |
| DP  | 33 lbs. (147N)       |
| UL Voltage Rating                         | 600 Volts            |
| Wire Size (AWG)                           | 1/0 to 4/0           |
| (mm <sup>2</sup> )                        | 50 to 95             |
| Insulation Withstanding Voltage           | 2200 Volts           |
| Operating Temperature Range °C            | minus 40-130 °C      |
| Ambient Temperature Range °C              | minus 40-85 °C       |
| Latch Retention Force                     | 50 lbs. (222N) min.  |
| Contact Retention Force                   | 150 lbs. (667N) min. |
| Mating                                    |                      |
| a. No Load(Contact/Disconnect Cycles)     | 500 Cycles           |
| b. Under Load(Hot Plug 250 cycles @ 120V) | 150A                 |
| Housing & Cable Clamp                     | PBT UL94 V-0         |
| Latch                                     | PEI UL94 V-0         |
| Contacts                                  | Copper alloy         |
| Hardware                                  | Steel zinc chromate  |



### PRODUCT INFORMATION

PowerMod®HP connectors, developed by Anderson Power Products, are the innovative New Generation of High Power Interconnections for the Electronics Industry. The product family provides; cost effective reliability, superior safety and ergonomics, with broad design flexibility. The positive latch and optional strain relief of PowerMod®HP connectors ensure superior reliability. The contacts are extremely durable and rated for circuit interruption (true hot-pluggable). Our touch-safe female housing design with integral latch release presents a new standard for high power connector safety and ergonomics. The housings are black UL94 V-0 material with latches in blue for clear identification.

The PowerMod®HP family offers excellent design flexibility with the availability of 10 different connector types.

- Single Pole Straight Male
- Single Pole Right Angle Female
- Single Pole Straight Female
- Single Pole Bus Bar Mount
- Dual Pole Straight Male
- Dual Pole Right Angle Female
- Dual Pole Straight Female
- Dual Pole Female Blind Mate Panel Mount
- Dual Pole Male Panel Mount
- Dual Pole Male Blind Mate Panel Mount

All PowerMod®HP connectors are available in American and metric wire sizes for further design freedom. APP offers pneumatic and hydraulic bench tools as well as hand tools for the products which are also compatible with many third-party crimp tooling.

Applications: Back-Up Power, Power Supplies, Cellular Infrastructure, Telecommunications, Industrial Power.

HEADQUARTERS: 13 Pratts Junction Road, P.O. Box 579, Sterling, MA 01564 T:978-422-3600 F:978-422-3700

EUROPE: Rathealy Road, Fermoy Co. Cork, Ireland T:353-(0)25-32277 F:353-(0)25-32296

ASIA/PACIFIC: IDEAL Anderson Asia Pacific Ltd., Unit 922-928 Topsail Plaza, 11 On Sum Street, Shatin N.T., Hong Kong T:852-2636-0836 F:852-2635-9036

CHINA: IDEAL Anderson Technologies (Shenzhen) Ltd., Block A8 Tantou W. Ind. Par, Songgang Baoan District, Shenzhen, P.R. China 51810 T: 86-755-2768-2118 F: 86-755-2768-2218

TAIWAN: IDEAL Anderson Asia Pacific Ltd., Taiwan Branch, 4F.-2, No.116, Dadun 20th St., Situn District, Taichung City 407, Taiwan (R.O.C.) T: 886-4-2310-6451 F:886-4-2310-6460

[www.andersonpower.com](http://www.andersonpower.com)

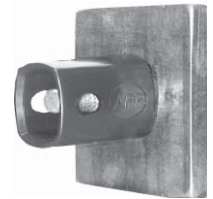
# Connector Family - Series B



Single Pole Right Angle Female



Single Pole Male & Female



Bus Bar Mount



Dual Pole Right Angle Female



Dual Pole Male & Female



Dual Pole Panel Mount Male



Dual Pole Blindmate Female



Dual Pole Blindmate Male



PowerMod HP connectors, developed by Anderson Power Products, are the innovative New Generation of High Power Interconnections for the Electronics Industry.

The touch-safe, positive latching, PowerMod HP female connector design presents a new standard for high power connector safety. The ergonomic latch release is simple to operate and is colored blue for clear identification. Housings are a black UL94 V-0 flame retardant material.

PowerMod HP contacts are durable and rated for circuit interruption (true hot-pluggable). Series B contacts are available in 1/0 to 4/0 American wire gauge and 50mm<sup>2</sup> to 95mm<sup>2</sup> metric wire sizes for global design freedom. Our optional strain relief ensures superior contact reliability under adverse operating conditions.

APP PowerMod HP connectors embody the highest quality in the industry and meet all applicable industry standards.

### Features

- Positive latching**  
*Integral latches with ergonomic release provide over 50 lbs retention*
- Strain relief option**  
*Reduces risk of wire insulation creep and reduces transmission of wire loads to contacts improving service life*
- Low connector mating forces**  
*Connectors are easily mated and unmated*
- Silver plated, high conductivity contacts**  
*Offers greater longevity for high power, elevated temperature applications*
- Ease of assembly**  
*Intuitive design allows for simplicity of assembly*



### SPECIFICATIONS

| Electrical                      |                 | Mechanical                               |                           |
|---------------------------------|-----------------|--|---------------------------|
| Current Rating                  |                 | Mating Force                             | 16.5 lbs. (74N) avg       |
| UL                              | 450 Amps        | Latch Retention Force                    | 50 lbs. (222N) min        |
| CSA (30°C Rise)                 | 250 Amps        | Contact Retention Force                  | 150 lbs. (667N) min       |
| UL / CSA Voltage Rating         | 600 Volts       | Mating                                   |                           |
| Wire Size (AWG)                 | 1/0 to 4/0      | a. No Load(Contact/Disconnect Cycles)    | 500 Cycles                |
| (mm <sup>2</sup> )              | 50 to 95        | b. Under Load(Hot Plug 250 cycles @ 48V) | 150A                      |
| Insulation Withstanding Voltage | 2200 Volts      | <b>Materials</b>                         |                           |
| Operating Temperature Range °C  | minus 40-130 °C | Housing & Cable Clamp                    | PBT UL94 V-0              |
| Ambient Temperature Range °C    | minus 40-85 °C  | Latch                                    | PEI UL94 V-0              |
|                                 |                 | Contacts                                 | Copper alloy silver plate |
|                                 |                 | Hardware                                 | Steel zinc chromate       |



File No. E26226

### ORDERING INFORMATION

#### PowerMod HP Part Number Plan - Single Pole Male

| Series                                     | Series | Gender | Model | Wire Size |
|--|--------|--------|-------|-----------|
| PMHP                                       | B      | M      | 01    | P04       |
| <b>B *</b>                                 |        |        |       |           |
| M - Male                                   |        |        |       |           |
| 01 - Single Pole Straight                  |        |        |       |           |
| 02 - Single Pole Straight with Cable Clamp |        |        |       |           |
| P04 - 1/0 AWG to 50mm <sup>2</sup>         |        |        |       |           |
| P03 - 2/0 AWG to 70mm <sup>2</sup>         |        |        |       |           |
| P02 - 95mm <sup>2</sup>                    |        |        |       |           |
| P01 - 4/0 AWG                              |        |        |       |           |

\* Maximum wire size 4/0 AWG

#### Components

| Part Number | Description  |
|-------------|--|
| PMHPBM01    | Housing Kit, Male, Single Pole, Straight                   |
| PMHPBM02    | Housing Kit with Cable Clamp, Male, Single Pole, Straight  |
| PMHPBP04    | Pin, Series B, Crimp for 1/0 AWG to 50mm <sup>2</sup> wire |
| PMHPBP03    | Pin, Series B, Crimp for 2/0 AWG to 70mm <sup>2</sup> wire |
| PMHPBP02    | Pin, Series B, Crimp for 95mm <sup>2</sup> wire            |
| PMHPBP01    | Pin, Series B, Crimp for 4/0 AWG wire                      |
| PMHPBC01    | Single Pole cable clamp kit                                |

HEADQUARTERS: 13 Pratts Junction Road, P.O. Box 579, Sterling, MA 01564 T:978-422-3600 F:978-422-3700

EUROPE: Rathealy Road, Fermoy Co. Cork, Ireland T:353-(0)25-32277 F:353-(0)25-32296

ASIA/PACIFIC: IDEAL Anderson Asia Pacific Ltd., Unit 922-928 Topsail Plaza, 11 On Sum Street, Shatin N.T., Hong Kong T:852-2636-0836 F:852-2635-9036

CHINA: IDEAL Anderson Technologies (Shenzhen) Ltd., Block A8 Tantou W. Ind. Par, Songgang Baoan District, Shenzhen, P.R. China 51810 T: 86-755-2768-2118 F: 86-755-2768-2218

TAIWAN: IDEAL Anderson Asia Pacific Ltd., Taiwan Branch, 4F.-2, No.116, Dadun 20th St., Situn District, Taichung City 407, Taiwan (R.O.C.) T: 886-4-2310-6451 F:886-4-2310-6460

[www.andersonpower.com](http://www.andersonpower.com)

## ORDERING INFORMATION

### Tooling

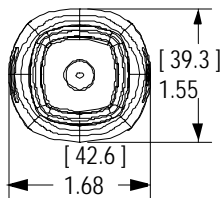
| Pneumatic Production Tool |             |         |             |                  |
|---------------------------|-------------|---------|-------------|------------------|
| Wire Size                 | Part Number | Die P/N | Locator P/N | Number of Crimps |
| 4/0                       | 1387G2      | 1303G3  | 1304G25     | 2                |
| 95mm <sup>2</sup>         | 1387G2      | 1303G17 | 1304G25     | 2                |
| 2/0-70mm <sup>2</sup>     | 1387G2      | 1303G16 | 1304G23     | 2                |
| 1/0-50mm <sup>2</sup>     | 1387G2      | 1303G8  | 1304G23     | 2                |

| Hand Tool             |           |         |         |                  |
|-----------------------|-----------|---------|---------|------------------|
| Wire Size             | Hydraulic | Battery | Die P/N | Number of Crimps |
| 4/0                   | 1387G3    | 1370    | 1322G14 | 2                |
| 95mm <sup>2</sup>     | 1387G3    | 1370    | 1322G1  | 2                |
| 2/0-70mm <sup>2</sup> | 1387G3    | 1370    | 1322G3  | 2                |
| 1/0-50mm <sup>2</sup> | 1387G3    | 1370    | 1322G13 | 2                |

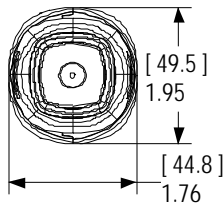
| Hydraulic Tool        |             |                  |
|-----------------------|-------------|------------------|
| Wire Size             | Part Number | Number of Crimps |
| 4/0                   | 1368        | 2                |
| 95mm <sup>2</sup>     | 1368        | 2                |
| 2/0-70mm <sup>2</sup> | 1368        | 2                |
| 1/0-50mm <sup>2</sup> | 1368        | 2                |

## DIMENSIONS

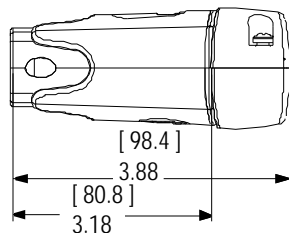
Front Without Strain Relief



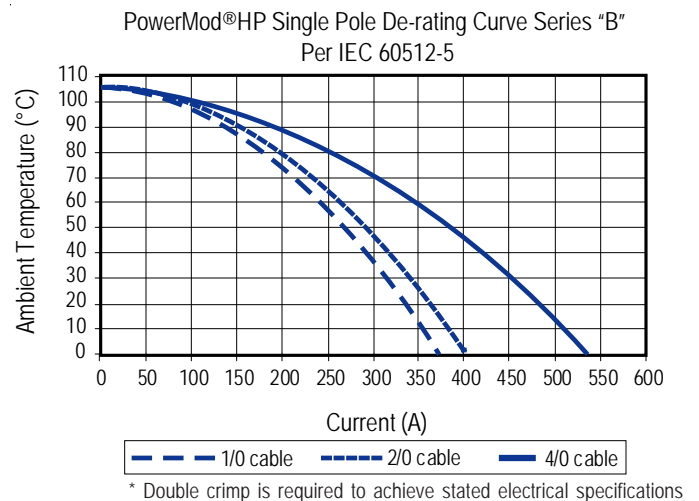
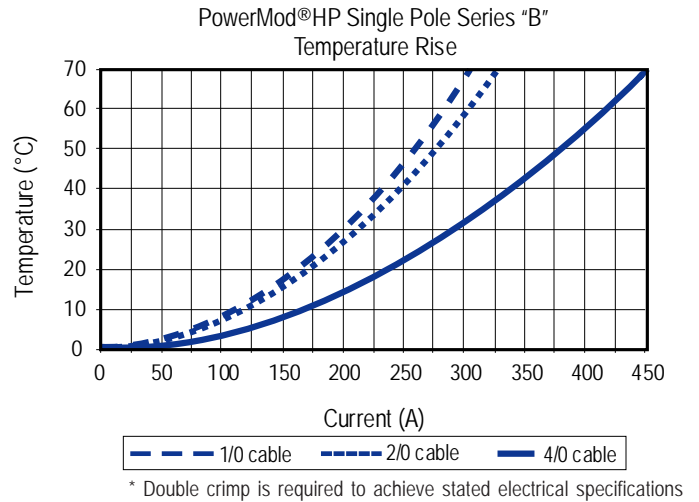
Front With Strain Relief



Side



## TEMPERATURE CHART



## MATING CONNECTORS

Single Pole Right Angle Female



Single Pole Female



All Data Subject To Change Without Notice

HEADQUARTERS: 13 Pratts Junction Road, P.O. Box 579, Sterling, MA 01564 T:978-422-3600 F:978-422-3700

EUROPE: Ráthealy Road, Fermoy Co. Cork, Ireland T:353-(0)25-32277 F:353-(0)25-32296

ASIA/PACIFIC: IDEAL Anderson Asia Pacific Ltd., Unit 922-928 Topsail Plaza, 11 On Sum Street, Shatin N.T., Hong Kong T:852-2636-0836 F:852-2635-9036

CHINA: IDEAL Anderson Technologies (Shenzhen) Ltd., Block A8 Tantou W. Ind. Par, Songgang Baoan District, Shenzhen, P.R. China 51810 T: 86-755-2768-2118 F: 86-755-2768-2218

TAIWAN: IDEAL Anderson Asia Pacific Ltd., Taiwan Branch, 4F.-2, No.116, Dadun 20th St., Situn District, Taichung City 407, Taiwan (R.O.C.) T: 886-4-2310-6451 F:886-4-2310-6460

[www.andersonpower.com](http://www.andersonpower.com)

PowerMod HP connectors, developed by Anderson Power Products, are the innovative New Generation of High Power Interconnections for the Electronics Industry.

The touch-safe, positive latching, PowerMod HP female connector design presents a new standard for high power connector safety. The ergonomic latch release is simple to operate and is colored blue for clear identification. Housings are a black UL94 V-0 flame retardant material.

PowerMod HP contacts are durable and rated for circuit interruption (true hot-pluggable). Series B contacts are available in 1/0 to 4/0 American wire gauge and 50mm<sup>2</sup> to 95mm<sup>2</sup> metric wire sizes for global design freedom. Our optional strain relief ensures superior contact reliability under adverse operating conditions.

APP PowerMod HP connectors embody the highest quality in the industry and meet all applicable industry standards.

### Features

- Positive Latching**  
*Integral latches with ergonomic release provide over 50 lbs retention*
- Touch safe female connectors**  
*Provides IP20 protection for safe, energized use outside the electronics cabinet*
- High performance, hot pluggable female contacts**  
*Our patented design provides greater longevity for high power, elevated temperature applications*
- Strain relief option**  
*Reduces risk of wire insulation creep and reduces transmission of wire loads to contacts improving service life*
- Low connector mating forces**  
*Connectors are easily mated and unmated*



## SPECIFICATIONS

| Electrical                      |                 | Mechanical                               |                           |
|---------------------------------|-----------------|--|---------------------------|
| Current Rating                  |                 | Mating Force                             | 16.5 lbs. (74N) avg       |
| UL                              | 450 Amps        | Latch Retention Force                    | 50 lbs. (222N) min        |
| CSA (30°C Rise)                 | 250 Amps        | Contact Retention Force                  | 150 lbs. (667N) min       |
| UL / CSA Voltage Rating         | 600 Volts       | Mating                                   |                           |
| Wire Size (AWG)                 | 1/0 to 4/0      | a. No Load(Contact/Disconnect Cycles)    | 500 Cycles                |
| (mm <sup>2</sup> )              | 50 to 95        | b. Under Load(Hot Plug 250 cycles @ 48V) | 150A                      |
| Insulation Withstanding Voltage | 2200 Volts      | <b>Materials</b>                         |                           |
| Operating Temperature Range °C  | minus 40-130 °C | Housing & Cable Clamp                    | PBT UL94 V-0              |
| Ambient Temperature Range °C    | minus 40-85 °C  | Latch                                    | PEI UL94 V-0              |
|                                 |                 | Contacts                                 | Copper alloy silver plate |
|                                 |                 | Hardware                                 | Steel zinc chromate       |



## ORDERING INFORMATION

### PowerMod HP Part Number Plan - Single Pole Female

| Series                                     | Series | Gender | Model | Wire Size |
|--|--------|--------|-------|-----------|
| PMHP                                       | B      | F      | 01    | S04       |
| <b>B *</b>                                 |        |        |       |           |
| F - Female                                 |        |        |       |           |
| 01 - Single Pole Straight                  |        |        |       |           |
| 02 - Single Pole Straight with Cable Clamp |        |        |       |           |
| S04 - 1/0 AWG to 50mm <sup>2</sup>         |        |        |       |           |
| S03 - 2/0 AWG to 70mm <sup>2</sup>         |        |        |       |           |
| S02 - 95mm <sup>2</sup>                    |        |        |       |           |
| S01 - 4/0 AWG                              |        |        |       |           |

\* Maximum wire size 4/0 AWG

### Components

| Part Number | Description   |
|-------------|---|
| PMHPBF01    | Housing Kit, Female, Single Pole, Straight                    |
| PMHPBF02    | Housing Kit with Cable Clamp, Female, Single Pole, Straight   |
| PMHPBS04    | Socket, Series B, Crimp for 1/0 AWG to 50mm <sup>2</sup> wire |
| PMHPBS03    | Socket, Series B, Crimp for 2/0 AWG to 70mm <sup>2</sup> wire |
| PMHPBS02    | Socket, Series B, Crimp for 95mm <sup>2</sup> wire            |
| PMHPBS01    | Socket, Series B, Crimp for 4/0 AWG wire                      |
| PMHPBC01    | Single Pole Cable Clamp Kit                                   |

HEADQUARTERS: 13 Pratts Junction Road, P.O. Box 579, Sterling, MA 01564 T:978-422-3600 F:978-422-3700

EUROPE: Rathealy Road, Fermoy Co. Cork, Ireland T:353-(0)25-32277 F:353-(0)25-32296

ASIA/PACIFIC: IDEAL Anderson Asia Pacific Ltd., Unit 922-928 Topsail Plaza, 11 On Sum Street, Shatin N.T., Hong Kong T:852-2636-0836 F:852-2635-9036

CHINA: IDEAL Anderson Technologies (Shenzhen) Ltd., Block A8 Tantou W. Ind. Par, Songgang Baoan District, Shenzhen, P.R. China 51810 T: 86-755-2768-2118 F: 86-755-2768-2218

TAIWAN: IDEAL Anderson Asia Pacific Ltd., Taiwan Branch, 4F.-2, No.116, Dadun 20th St., Situn District, Taichung City 407, Taiwan (R.O.C.) T: 886-4-2310-6451 F:886-4-2310-6460

[www.andersonpower.com](http://www.andersonpower.com)

## ORDERING INFORMATION

### Tooling

| Pneumatic Production Tool |             |         |             |                  |
|---------------------------|-------------|---------|-------------|------------------|
| Wire Size                 | Part Number | Die P/N | Locator P/N | Number of Crimps |
| 4/0                       | 1387G2      | 1303G3  | 1304G25     | 2                |
| 95mm <sup>2</sup>         | 1387G2      | 1303G17 | 1304G25     | 2                |
| 2/0-70mm <sup>2</sup>     | 1387G2      | 1303G16 | 1304G23     | 2                |
| 1/0-50mm <sup>2</sup>     | 1387G2      | 1303G8  | 1304G23     | 2                |

| Hand Tool             |           |         |         |                  |
|-----------------------|-----------|---------|---------|------------------|
| Wire Size             | Hydraulic | Battery | Die P/N | Number of Crimps |
| 4/0                   | 1387G3    | 1370    | 1322G14 | 2                |
| 95mm <sup>2</sup>     | 1387G3    | 1370    | 1322G1  | 2                |
| 2/0-70mm <sup>2</sup> | 1387G3    | 1370    | 1322G3  | 2                |
| 1/0-50mm <sup>2</sup> | 1387G3    | 1370    | 1322G13 | 2                |

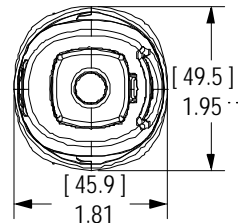
| Hydraulic Tool        |             |                  |
|-----------------------|-------------|------------------|
| Wire Size             | Part Number | Number of Crimps |
| 4/0                   | 1368        | 2                |
| 95mm <sup>2</sup>     | 1368        | 2                |
| 2/0-70mm <sup>2</sup> | 1368        | 2                |
| 1/0-50mm <sup>2</sup> | 1368        | 2                |

## DIMENSIONS

### Front Without Strain Relief



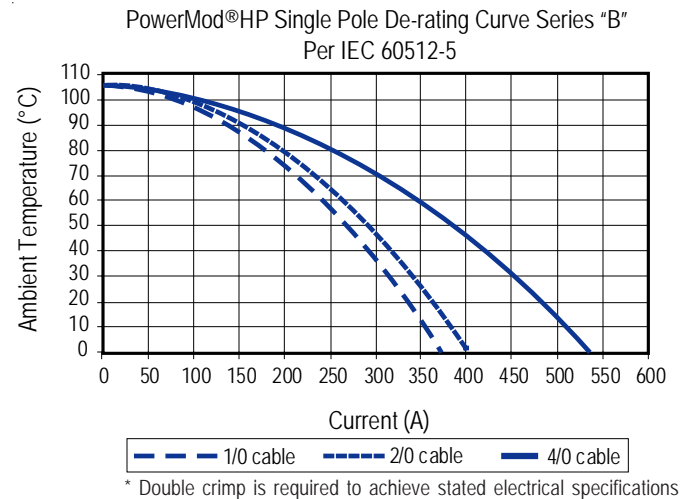
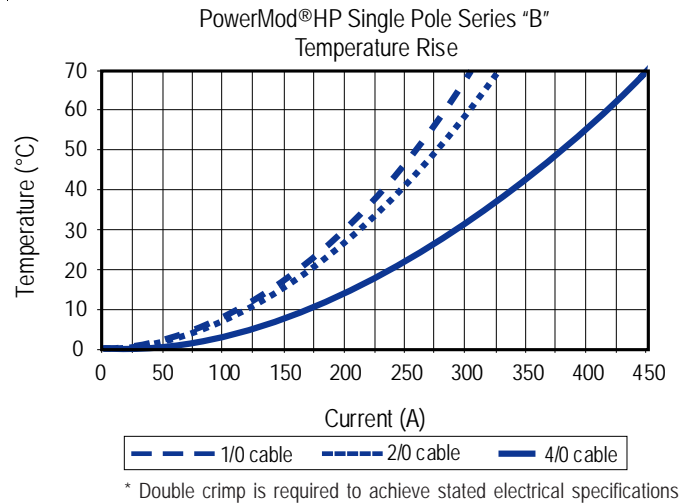
### Front With Strain Relief



### Side



## TEMPERATURE CHART



## MATING CONNECTORS

### Single Pole Bus Bar Male



### Single Pole Male



All Data Subject To Change Without Notice

HEADQUARTERS: 13 Pratts Junction Road, P.O. Box 579, Sterling, MA 01564 T:978-422-3600 F:978-422-3700

EUROPE: Rahealy Road, Fermoy Co. Cork, Ireland T:353-(0)25-32277 F:353-(0)25-32296

ASIA/PACIFIC: IDEAL Anderson Asia Pacific Ltd., Unit 922-928 Topsail Plaza, 11 On Sum Street, Shatin N.T., Hong Kong T:852-2636-0836 F:852-2635-9036

CHINA: IDEAL Anderson Technologies (Shenzhen) Ltd., Block A8 Tantou W. Ind. Par, Songgang Baoan District, Shenzhen, P.R. China 51810 T: 86-755-2768-2118 F: 86-755-2768-2218

TAIWAN: IDEAL Anderson Asia Pacific Ltd., Taiwan Branch, 4F.-2, No.116, Dadun 20th St., Situn District, Taichung City 407, Taiwan (R.O.C.) T: 886-4-2310-6451 F:886-4-2310-6460

[www.andersonpower.com](http://www.andersonpower.com)

PowerMod HP connectors, developed by Anderson Power Products, are the innovative New Generation of High Power Interconnections for the Electronics Industry.

The touch-safe, positive latching, PowerMod HP female connector design presents a new standard for high power connector safety. The ergonomic latch release is simple to operate and is colored blue for clear identification. Housings are a black UL94 V-0 flame retardant material.

PowerMod HP contacts are durable and rated for circuit interruption (true hot-pluggable). Series B contacts are available in 1/0 to 4/0 American wire gauge and 50mm<sup>2</sup> to 95mm<sup>2</sup> metric wire sizes for global design freedom. Our \*strain relief ensures superior contact reliability under adverse operating conditions.

APP PowerMod HP connectors embody the highest quality in the industry and meet all applicable industry standards.

### Features

- **Right angle connector**  
*Offers short mated length for tight wiring applications*
- **Positive latching**  
*Integral Latches with ergonomic release provide over 50 lbs retention*
- **Touch safe female connectors**  
*Provides IP20 protection for safe, energized use outside the electronics cabinet*
- **High performance, hot pluggable female contacts**  
*Our patented design provides greater longevity for high power, elevated temperature applications*
- **Low connector mating forces**  
*Connectors are easily mated and un-mated*



\* Strain relief not optional on right angle

## SPECIFICATIONS

| Electrical                      |                 | Mechanical                               |                           |
|---------------------------------|-----------------|--|---------------------------|
| Current Rating                  |                 | Mating Force                             | 16.5 lbs. (74N) avg       |
| UL                              | 450 Amps        | Latch Retention Force                    | 50 lbs. (222N) min        |
| CSA (30°C Rise)                 | 250 Amps        | Contact Retention Force                  | 150 lbs. (667N) min       |
| UL / CSA Voltage Rating         | 600 Volts       | Mating                                   |                           |
| Wire Size (AWG)                 | 1/0 to 4/0      | a. No Load(Contact/Disconnect Cycles)    | 500 Cycles                |
| (mm <sup>2</sup> )              | 50 to 95        | b. Under Load(Hot Plug 250 cycles @ 48V) | 150A                      |
| Insulation Withstanding Voltage | 2200 Volts      | <b>Materials</b>                         |                           |
| Operating Temperature Range °C  | minus 40-130 °C | Housing & Cable Clamp                    | PBT UL94 V-0              |
| Ambient Temperature Range °C    | minus 40-85 °C  | Latch                                    | PEI UL94 V-0              |
|                                 |                 | Contacts                                 | Copper alloy silver plate |
|                                 |                 | Hardware                                 | Steel zinc chromate       |



## ORDERING INFORMATION

### PowerMod HP Part Number Plan - Single Pole Right Angle Female

| Series                                | Series | Gender | Model | Wire Size |
|---------------------------------------|--------|--------|-------|-----------|
| PMHP                                  | B      | F      | 3     | S09       |
| <b>B *</b>                            |        |        |       |           |
| F - Female                            |        |        |       |           |
| 03 - Single Pole R/A with cable clamp |        |        |       |           |
| S09 - 1/0 AWG to 50mm <sup>2</sup>    |        |        |       |           |
| S08 - 2/0 AWG to 70mm <sup>2</sup>    |        |        |       |           |
| S07 - 95mm <sup>2</sup>               |        |        |       |           |
| S06 - 4/0 AWG                         |        |        |       |           |

\* Maximum wire size 4/0 AWG

### Components

| Part Number | Description   |
|-------------|---|
| PMHPBF03    | Housing Kit with Cable Clamp, Female, Single Pole, R/A        |
| PMHPBS09    | Socket, Series B, Crimp for 1/0 AWG to 50mm <sup>2</sup> wire |
| PMHPBS08    | Socket, Series B, Crimp for 2/0 AWG to 70mm <sup>2</sup> wire |
| PMHPBS07    | Socket, Series B, Crimp for 95mm <sup>2</sup> wire            |
| PMHPBS06    | Socket, Series B, Crimp for 4/0 AWG wire                      |

HEADQUARTERS: 13 Pratts Junction Road, P.O. Box 579, Sterling, MA 01564 T:978-422-3600 F:978-422-3700

EUROPE: Rathealy Road, Fermoy Co. Cork, Ireland T:353-(0)25-32277 F:353-(0)25-32296

ASIA/PACIFIC: IDEAL Anderson Asia Pacific Ltd., Unit 922-928 Topsail Plaza, 11 On Sum Street, Shatin N.T., Hong Kong T:852-2636-0836 F:852-2635-9036

CHINA: IDEAL Anderson Technologies (Shenzhen) Ltd., Block A8 Tantou W. Ind. Par, Songgang Baoan District, Shenzhen, P.R. China 51810 T: 86-755-2768-2118 F: 86-755-2768-2218

TAIWAN: IDEAL Anderson Asia Pacific Ltd., Taiwan Branch, 4F.-2, No.116, Dadun 20th St., Situn District, Taichung City 407, Taiwan (R.O.C.) T: 886-4-2310-6451 F:886-4-2310-6460

[www.andersonpower.com](http://www.andersonpower.com)

## ORDERING INFORMATION

### Tooling

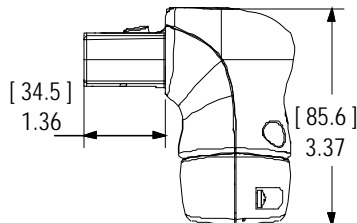
| Pneumatic Production Tool |             |         |             |                  |
|---------------------------|-------------|---------|-------------|------------------|
| Wire Size                 | Part Number | Die P/N | Locator P/N | Number of Crimps |
| 4/0                       | 1387G2      | 1303G3  | 1304G24     | 2                |
| 95mm <sup>2</sup>         | 1387G2      | 1303G17 | 1304G24     | 2                |
| 2/0-70mm <sup>2</sup>     | 1387G2      | 1303G16 | 1304G22     | 2                |
| 1/0-50mm <sup>2</sup>     | 1387G2      | 1303G8  | 1304G22     | 2                |

| Hand Tool             |           |         |         |                  |
|-----------------------|-----------|---------|---------|------------------|
| Wire Size             | Hydraulic | Battery | Die P/N | Number of Crimps |
| 4/0                   | 1387G3    | 1370    | 1322G14 | 2                |
| 95mm <sup>2</sup>     | 1387G3    | 1370    | 1322G1  | 2                |
| 2/0-70mm <sup>2</sup> | 1387G3    | 1370    | 1322G3  | 2                |
| 1/0-50mm <sup>2</sup> | 1387G3    | 1370    | 1322G13 | 2                |

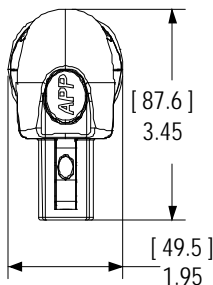
| Hydraulic Tool        |             |                  |
|-----------------------|-------------|------------------|
| Wire Size             | Part Number | Number of Crimps |
| 4/0                   | 1368        | 2                |
| 95mm <sup>2</sup>     | 1368        | 2                |
| 2/0-70mm <sup>2</sup> | 1368        | 2                |
| 1/0-50mm <sup>2</sup> | 1368        | 2                |

## DIMENSIONS

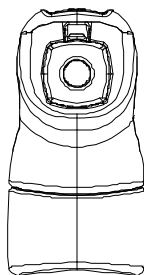
### Side



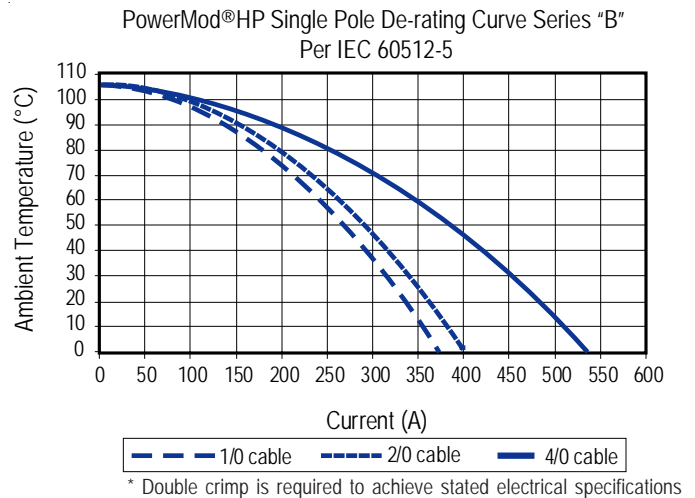
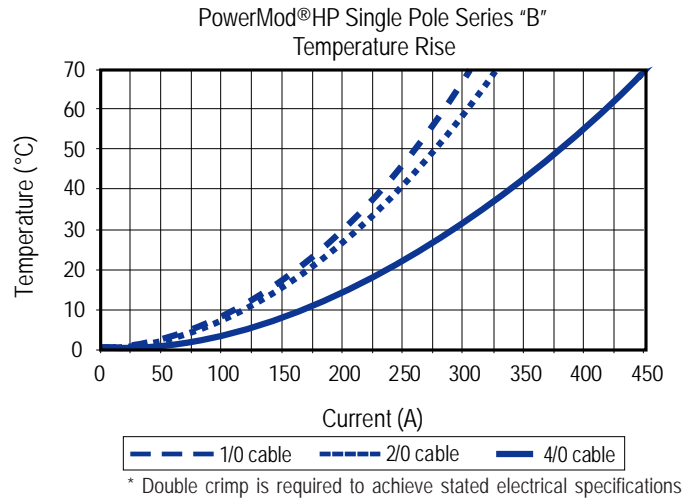
### Top



### Front



## TEMPERATURE CHART



## MATING CONNECTORS

### Single Pole Male

### Single Pole Bus Bar Male



All Data Subject To Change Without Notice

HEADQUARTERS: 13 Pratts Junction Road, P.O. Box 579, Sterling, MA 01564 T:978-422-3600 F:978-422-3700

EUROPE: Rahealy Road, Fermoy Co. Cork, Ireland T:353-(0)25-32277 F:353-(0)25-32296

ASIA/PACIFIC: IDEAL Anderson Asia Pacific Ltd., Unit 922-928 Topsail Plaza, 11 On Sum Street, Shatin N.T., Hong Kong T:852-2636-0836 F:852-2635-9036

CHINA: IDEAL Anderson Technologies (Shenzhen) Ltd., Block A8 Tantou W. Ind. Par, Songgang Baoan District, Shenzhen, P.R. China 51810 T: 86-755-2768-2118 F: 86-755-2768-2218

TAIWAN: IDEAL Anderson Asia Pacific Ltd., Taiwan Branch, 4F.-2, No.116, Dadun 20th St., Situn District, Taichung City 407, Taiwan (R.O.C.) T: 886-4-2310-6451 F:886-4-2310-6460

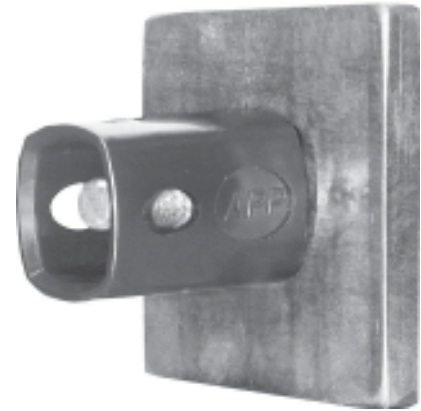
[www.andersonpower.com](http://www.andersonpower.com)

PowerMod HP connectors, developed by Anderson Power Products, are the innovative New Generation of High Power Interconnections for the Electronics Industry.

APP PowerMod HP connectors embody the highest quality in the industry and meet all applicable industry standards.

### Features

- **Low connector mating forces**  
*Connectors are easily mated and un-mated*
- **Silver plated, high conductivity contacts**  
*Offers greater longevity for high power, elevated temperature applications*
- **Ease of assembly**  
*Intuitive design allows for simplicity of assembly*



## SPECIFICATIONS

| Electrical                      |                 | Mechanical                               |                           |
|---------------------------------|-----------------|--|---------------------------|
| Current Rating                  |                 | Mating Force                             | 16.5 lbs. (74N) avg       |
| UL                              | 450 Amps        | Latch Retention Force                    | 50 lbs. (222N) min        |
| CSA (30°C Rise)                 | 250 Amps        | Contact Retention Force                  | 150 lbs. (667N) min       |
| UL / CSA Voltage Rating         | 600 Volts       | Mating                                   |                           |
| Bus Bar                         | .12 [3.0] min   | a. No Load(Contact/Disconnect Cycles)    | 500 Cycles                |
|                                 | .25 [6.4] max   | b. Under Load(Hot Plug 250 cycles @ 48V) | 150A                      |
| Insulation Withstanding Voltage | 2200 Volts      | <b>Materials</b>                         |                           |
| Operating Temperature Range °C  | minus 40-130 °C | Housing                                  | PBT UL94 V-0              |
| Ambient Temperature Range °C    | minus 40-85 °C  | Contacts                                 | Copper alloy silver plate |
|                                 |                 | Hardware                                 | Steel zinc chromate       |



## ORDERING INFORMATION

### PowerMod HP Part Number Plan - Single Pole Bus Bar

| Series   | Series | Gender | Model | Wire Size |
|--|--------|--------|-------|-----------|
| PMHP   | B      | M      | 04    | P06       |
| B *<br>M - Male<br>04 - Bus Bar Mount<br>P06 - Pin Bus Bar |        |        |       |           |

### Components

| Part Number | Description           |
|-------------|-----------------------|
| PMHPBP06    | Pin Series B, Bus Bar |

## ORDERING INFORMATION

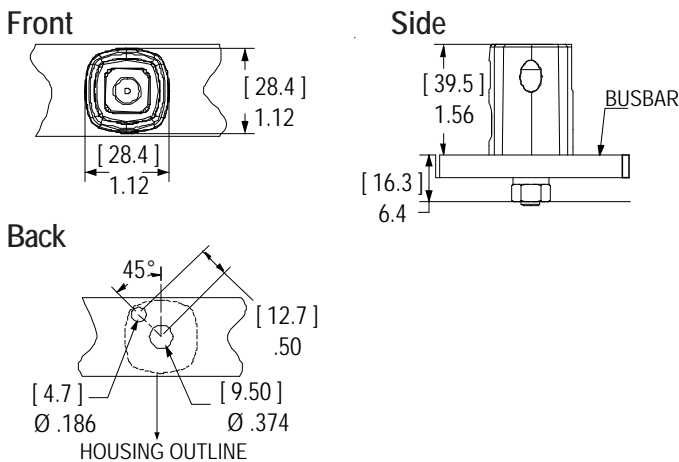
### Tooling For Mating Connectors

| Pneumatic Production Tool |             |         |                             |                                |                  |
|---------------------------|-------------|---------|-----------------------------|--------------------------------|------------------|
| Wire Size                 | Part Number | Die P/N | Locator P/N Standard Series | Locator P/N Right Angle Series | Number of Crimps |
| 4/0                       | 1387G2      | 1303G3  | 1304G25                     | 1304G24                        | 2                |
| 95mm <sup>2</sup>         | 1387G2      | 1303G17 | 1304G25                     | 1304G24                        | 2                |
| 2/0-70mm <sup>2</sup>     | 1387G2      | 1303G16 | 1304G23                     | 1304G22                        | 2                |
| 1/0-50mm <sup>2</sup>     | 1387G2      | 1303G8  | 1304G23                     | 1304G22                        | 2                |

| Hand Tool             |           |         |         |                  |
|-----------------------|-----------|---------|---------|------------------|
| Wire Size             | Hydraulic | Battery | Die P/N | Number of Crimps |
| 4/0                   | 1387G3    | 1370    | 1322G14 | 2                |
| 95mm <sup>2</sup>     | 1387G3    | 1370    | 1322G1  | 2                |
| 2/0-70mm <sup>2</sup> | 1387G3    | 1370    | 1322G3  | 2                |
| 1/0-50mm <sup>2</sup> | 1387G3    | 1370    | 1322G13 | 2                |

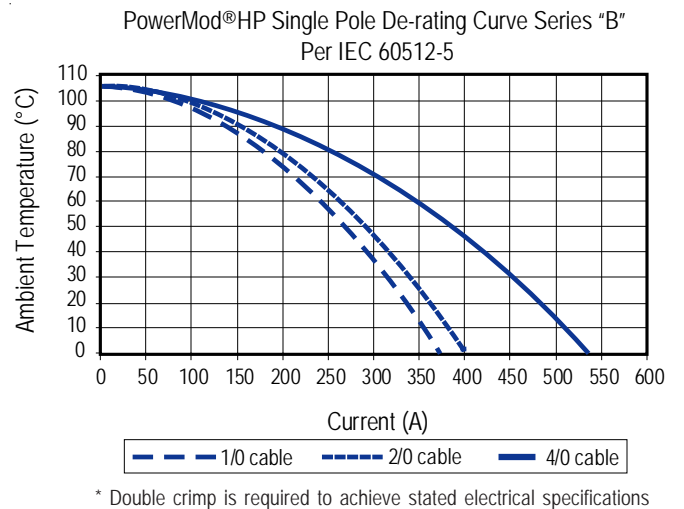
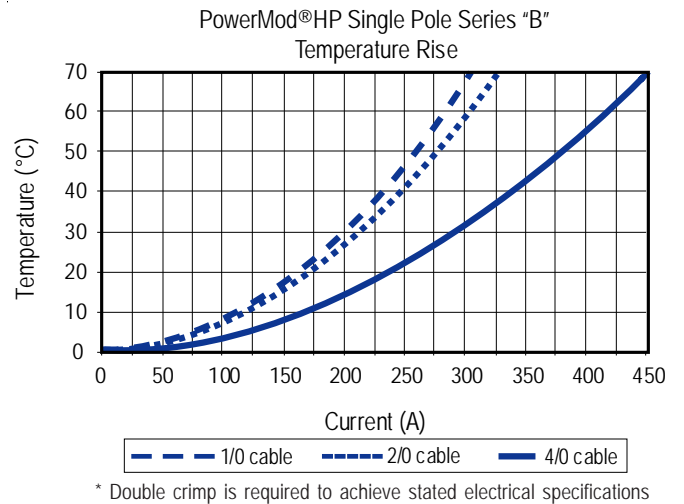
| Hydraulic Tool        |             |                  |
|-----------------------|-------------|------------------|
| Wire Size             | Part Number | Number of Crimps |
| 4/0                   | 1368        | 2                |
| 95mm <sup>2</sup>     | 1368        | 2                |
| 2/0-70mm <sup>2</sup> | 1368        | 2                |
| 1/0-50mm <sup>2</sup> | 1368        | 2                |

## DIMENSIONS



All Data Subject To Change Without Notice

## TEMPERATURE CHART



## MATING CONNECTORS

Single Pole Right  
Angle Female

Single Pole Female





PowerMod HP connectors, developed by Anderson Power Products, are the innovative New Generation of High Power Interconnections for the Electronics Industry.

The touch-safe, positive latching, PowerMod HP female connector design presents a new standard for high power connector safety. The ergonomic latch release is simple to operate and is colored blue for clear identification. Housings are a black UL94 V-0 flame retardant material.

PowerMod HP contacts are durable and rated for circuit interruption (true hot-pluggable). Series B contacts are available in 1/0 to 4/0 American wire gauge and 50mm<sup>2</sup> to 952mm<sup>2</sup> metric wire sizes for global design freedom. Our optional strain relief ensures superior contact reliability under adverse operating conditions.

APP PowerMod HP connectors embody the highest quality in the industry and meet all applicable industry standards.

### Features

- Positive latching**  
*Integral latches with ergonomic release provide over 50 lbs retention*
- Strain relief option**  
*Reduces risk of wire insulation creep and reduces transmission of wire loads to contacts improving service life*
- Low connector mating forces**  
*Connectors are easily mated and un-mated*
- Silver plated, high conductivity contacts**  
*Offers greater longevity for high power, elevated temperature applications*
- Ease of assembly**  
*Intuitive design allows for simplicity of assembly*



### SPECIFICATIONS

| Electrical                      |                 | Mechanical                               |                           |
|---------------------------------|-----------------|--|---------------------------|
| Current Rating                  |                 | Mating Force                             | 33 lbs. (147N) avg        |
| UL                              | 400 Amps        | Latch Retention Force                    | 50 lbs. (222N) min        |
| CSA (30°C Rise)                 | 250 Amps        | Contact Retention Force                  | 150 lbs. (667N) min       |
| UL / CSA Voltage Rating         | 600 Volts       | Mating                                   |                           |
| Wire Size (AWG)                 | 1/0 to 4/0      | a. No Load(Contact/Disconnect Cycles)    | 500 Cycles                |
| (mm <sup>2</sup> )              | 50 to 95        | b. Under Load(Hot Plug 250 cycles @ 48V) | 150A                      |
| Insulation Withstanding Voltage | 2200 Volts      | <b>Materials</b>                         |                           |
| Operating Temperature Range °C  | minus 40-130 °C | Housing & Cable Clamp                    | PBT UL94 V-0              |
| Ambient Temperature Range °C    | minus 40-85 °C  | Latch                                    | PEI                       |
|                                 |                 | Contacts                                 | Copper alloy silver plate |
|                                 |                 | Hardware                                 | Steel zinc chromate       |



### ORDERING INFORMATION

#### PowerMod HP Part Number Plan - Dual Pole Male

| Series                                   | Series | Gender | Model | Wire Size |
|--|--------|--------|-------|-----------|
| PMHP                                     | B      | M      | 11    | P04       |
| <b>B *</b>                               |        |        |       |           |
| M - Male                                 |        |        |       |           |
| 11 - Dual Pole Straight                  |        |        |       |           |
| 12 - Dual Pole Straight with Cable Clamp |        |        |       |           |
| P04 - 1/0 AWG to 50mm <sup>2</sup>       |        |        |       |           |
| P03 - 2/0 AWG to 70mm <sup>2</sup>       |        |        |       |           |
| P02 - 95mm <sup>2</sup>                  |        |        |       |           |
| P01 - 4/0 AWG                            |        |        |       |           |

\* Maximum wire size 4/0 AWG

#### Components

| Part Number | Description  |
|-------------|--|
| PMHPBM11    | Housing Kit, Male, Dual Pole, Straight                     |
| PMHPBM12    | Housing Kit with Cable Clamp, Male, Dual Pole, Straight    |
| PMHPBP04    | Pin, Series B, Crimp for 1/0 AWG to 50mm <sup>2</sup> wire |
| PMHPBP03    | Pin, Series B, Crimp for 2/0 AWG to 70mm <sup>2</sup> wire |
| PMHPBP02    | Pin, Series B, Crimp for 95mm <sup>2</sup> wire            |
| PMHPBP01    | Pin, Series B, Crimp for 4/0 AWG wire                      |
| PMHPBC02    | Dual Pole Cable Clamp Kit                                  |

HEADQUARTERS: 13 Pratts Junction Road, P.O. Box 579, Sterling, MA 01564 T:978-422-3600 F:978-422-3700

EUROPE: Rathealy Road, Fermoy Co. Cork, Ireland T:353-(0)25-32277 F:353-(0)25-32296

ASIA/PACIFIC: IDEAL Anderson Asia Pacific Ltd., Unit 922-928 Topsail Plaza, 11 On Sum Street, Shatin N.T., Hong Kong T:852-2636-0836 F:852-2635-9036

CHINA: IDEAL Anderson Technologies (Shenzhen) Ltd., Block A8 Tantou W. Ind. Par, Songgang Baoan District, Shenzhen, P.R. China 51810 T: 86-755-2768-2118 F: 86-755-2768-2218

TAIWAN: IDEAL Anderson Asia Pacific Ltd., Taiwan Branch, 4F.-2, No.116, Dadun 20th St., Situn District, Taichung City 407, Taiwan (R.O.C.) T: 886-4-2310-6451 F:886-4-2310-6460

[www.andersonpower.com](http://www.andersonpower.com)

## ORDERING INFORMATION

### Tooling

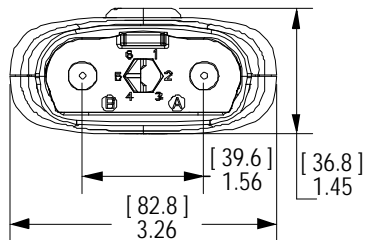
| Pneumatic Production Tool |             |         |             |                  |
|---------------------------|-------------|---------|-------------|------------------|
| Wire Size                 | Part Number | Die P/N | Locator P/N | Number of Crimps |
| 4/0                       | 1387G2      | 1303G3  | 1304G25     | 2                |
| 95mm <sup>2</sup>         | 1387G2      | 1303G17 | 1304G25     | 2                |
| 2/0-70mm <sup>2</sup>     | 1387G2      | 1303G16 | 1304G23     | 2                |
| 1/0-50mm <sup>2</sup>     | 1387G2      | 1303G8  | 1304G23     | 2                |

| Hand Tool             |           |         |         |                  |
|-----------------------|-----------|---------|---------|------------------|
| Wire Size             | Hydraulic | Battery | Die P/N | Number of Crimps |
| 4/0                   | 1387G3    | 1370    | 1322G14 | 2                |
| 95mm <sup>2</sup>     | 1387G3    | 1370    | 1322G1  | 2                |
| 2/0-70mm <sup>2</sup> | 1387G3    | 1370    | 1322G3  | 2                |
| 1/0-50mm <sup>2</sup> | 1387G3    | 1370    | 1322G13 | 2                |

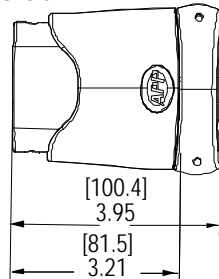
| Hydraulic Tool        |             |                  |
|-----------------------|-------------|------------------|
| Wire Size             | Part Number | Number of Crimps |
| 4/0                   | 1368        | 2                |
| 95mm <sup>2</sup>     | 1368        | 2                |
| 2/0-70mm <sup>2</sup> | 1368        | 2                |
| 1/0-50mm <sup>2</sup> | 1368        | 2                |

## DIMENSIONS

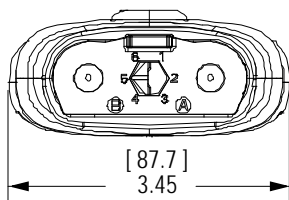
### Front Without Strain Relief



### Side

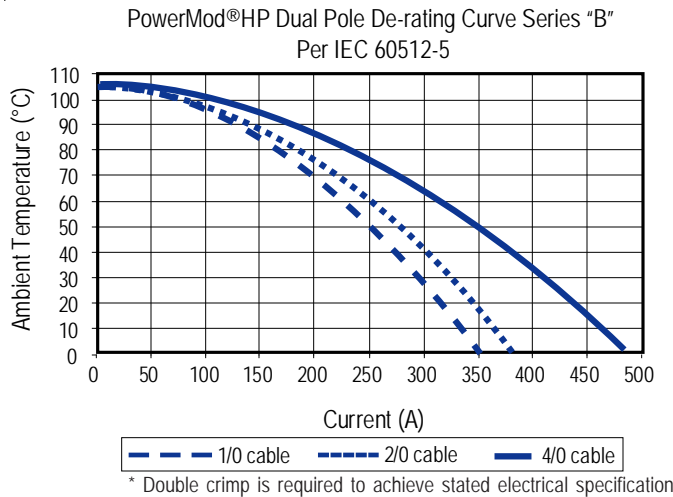
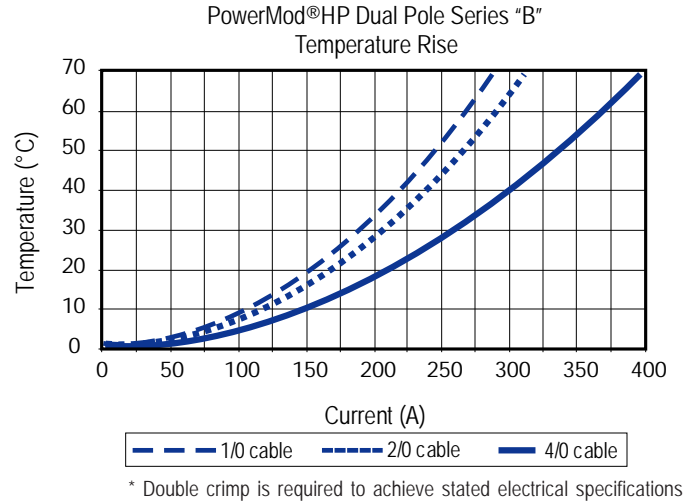


### Front With Strain Relief



All Data Subject To Change Without Notice

## TEMPERATURE CHART



## MATING CONNECTORS

### Dual Pole Straight Female



### Dual Pole Right Angle Female



PowerMod HP connectors, developed by Anderson Power Products, are the innovative New Generation of High Power Interconnections for the Electronics Industry.

The touch-safe, positive latching, PowerMod HP female connector design presents a new standard for high power connector safety. The ergonomic latch release is simple to operate and is colored blue for clear identification. Housings are a black UL94 V-0 flame retardant material.

PowerMod HP contacts are durable and rated for circuit interruption (true hot-pluggable). Series B contacts are available in 1/0 to 4/0 American wire gauge and 50mm<sup>2</sup> to 95mm<sup>2</sup> metric wire sizes for global design freedom. Our optional strain relief ensures superior contact reliability under adverse operating conditions.

APP PowerMod HP connectors embody the highest quality in the industry and meet all applicable industry standards.

### Features

- Positive latching**  
*Integral latches with ergonomic release provide over 50 lbs retention*
- Touch safe female connectors**  
*Provides IP20 protection for safe, energized use outside the electronics cabinet*
- High performance, hot pluggable female contacts**  
*Our patented design provides greater longevity for high power, elevated temperature applications*
- Strain relief option**  
*Reduces risk of wire insulation creep and reduces transmission of wire loads to contacts improving service life*
- Low connector mating forces**  
*Connectors are easily mated and un-mated*



### SPECIFICATIONS

| Electrical                      |                 | Mechanical                               |                           |
|---------------------------------|-----------------|--|---------------------------|
| Current Rating                  |                 | Mating Force                             | 33 lbs. (147N) avg        |
| UL                              | 400 Amps        | Latch Retention Force                    | 50 lbs. (222N) min        |
| CSA (30°C Rise)                 | 250 Amps        | Contact Retention Force                  | 150 lbs. (667N) min       |
| UL / CSA Voltage Rating         | 600 Volts       | Mating                                   |                           |
| Wire Size (AWG)                 | 1/0 to 4/0      | a. No Load(Contact/Disconnect Cycles)    | 500 Cycles                |
| (mm <sup>2</sup> )              | 50 to 95        | b. Under Load(Hot Plug 250 cycles @ 48V) | 150A                      |
| Insulation Withstanding Voltage | 2200 Volts      | <b>Materials</b>                         |                           |
| Operating Temperature Range °C  | minus 40-130 °C | Housing & Cable Clamp                    | PBT UL94 V-0              |
| Ambient Temperature Range °C    | minus 40-85 °C  | Latch                                    | PEI UL94 V-0              |
|                                 |                 | Contacts                                 | Copper alloy silver plate |
|                                 |                 | Hardware                                 | Steel zinc chromate       |



File No. E26226

### ORDERING INFORMATION

#### PowerMod HP Part Number Plan - Dual Pole Female

| Series                                   | Size | Gender | Model | Wire Size |
|--|------|--------|-------|-----------|
| PMHP                                     | B    | F      | 11    | S04       |
| B *                                      |      |        |       |           |
| F - Female                               |      |        |       |           |
| 11 - Dual Pole Straight                  |      |        |       |           |
| 12 - Dual Pole Straight with Cable Clamp |      |        |       |           |
| S04 - 1/0 AWG to 50mm <sup>2</sup>       |      |        |       |           |
| S03 - 2/0 AWG to 70mm <sup>2</sup>       |      |        |       |           |
| S02 - 95mm <sup>2</sup>                  |      |        |       |           |
| S01 - 4/0 AWG                            |      |        |       |           |

#### Components

| Part Number | Description   |
|-------------|---|
| PMHPBF11    | Housing Kit, Female, Dual Pole, Straight                      |
| PMHPBF12    | Housing Kit with Cable Clamp, Female, Dual Pole, Straight     |
| PMHPBS04    | Socket, Series B, Crimp for 1/0 AWG to 50mm <sup>2</sup> wire |
| PMHPBS03    | Socket, Series B, Crimp for 2/0 AWG to 70mm <sup>2</sup> wire |
| PMHPBS02    | Socket, Series B, Crimp for 95mm <sup>2</sup> wire            |
| PMHPBS01    | Socket, Series B, Crimp for 4/0 AWG wire                      |
| PMHPBC02    | Dual Pole Cable Clamp Kit                                     |

\* Maximum wire size 4/0 AWG

HEADQUARTERS: 13 Pratts Junction Road, P.O. Box 579, Sterling, MA 01564 T:978-422-3600 F:978-422-3700

EUROPE: Rathealy Road, Fermoy Co. Cork, Ireland T:353-(0)25-32277 F:353-(0)25-32296

ASIA/PACIFIC: IDEAL Anderson Asia Pacific Ltd., Unit 922-928 Topsail Plaza, 11 On Sum Street, Shatin N.T., Hong Kong T:852-2636-0836 F:852-2635-9036

CHINA: IDEAL Anderson Technologies (Shenzhen) Ltd., Block A8 Tantou W. Ind. Par, Songgang Baoan District, Shenzhen, P.R. China 51810 T: 86-755-2768-2118 F: 86-755-2768-2218

TAIWAN: IDEAL Anderson Asia Pacific Ltd., Taiwan Branch, 4F.-2, No.116, Dadun 20th St., Situn District, Taichung City 407, Taiwan (R.O.C.) T: 886-4-2310-6451 F:886-4-2310-6460

[www.andersonpower.com](http://www.andersonpower.com)

## ORDERING INFORMATION

### Tooling

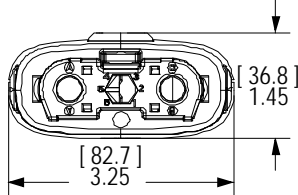
| Pneumatic Production Tool |             |         |             |                  |
|---------------------------|-------------|---------|-------------|------------------|
| Wire Size                 | Part Number | Die P/N | Locator P/N | Number of Crimps |
| 4/0                       | 1387G2      | 1303G3  | 1304G25     | 2                |
| 95mm <sup>2</sup>         | 1387G2      | 1303G17 | 1304G25     | 2                |
| 2/0-70mm <sup>2</sup>     | 1387G2      | 1303G16 | 1304G23     | 2                |
| 1/0-50mm <sup>2</sup>     | 1387G2      | 1303G8  | 1304G23     | 2                |

| Hand Tool             |           |         |         |                  |
|-----------------------|-----------|---------|---------|------------------|
| Wire Size             | Hydraulic | Battery | Die P/N | Number of Crimps |
| 4/0                   | 1387G3    | 1370    | 1322G14 | 2                |
| 95mm <sup>2</sup>     | 1387G3    | 1370    | 1322G1  | 2                |
| 2/0-70mm <sup>2</sup> | 1387G3    | 1370    | 1322G3  | 2                |
| 1/0-50mm <sup>2</sup> | 1387G3    | 1370    | 1322G13 | 2                |

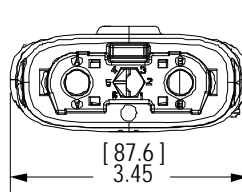
| Hydraulic Tool        |             |                  |
|-----------------------|-------------|------------------|
| Wire Size             | Part Number | Number of Crimps |
| 4/0                   | 1368        | 2                |
| 95mm <sup>2</sup>     | 1368        | 2                |
| 2/0-70mm <sup>2</sup> | 1368        | 2                |
| 1/0-50mm <sup>2</sup> | 1368        | 2                |

## DIMENSIONS

Front Without Strain Relief



Front With Strain Relief

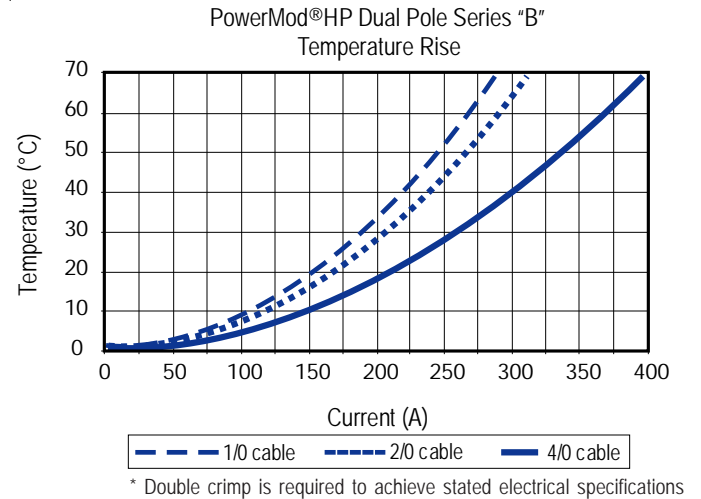


Side

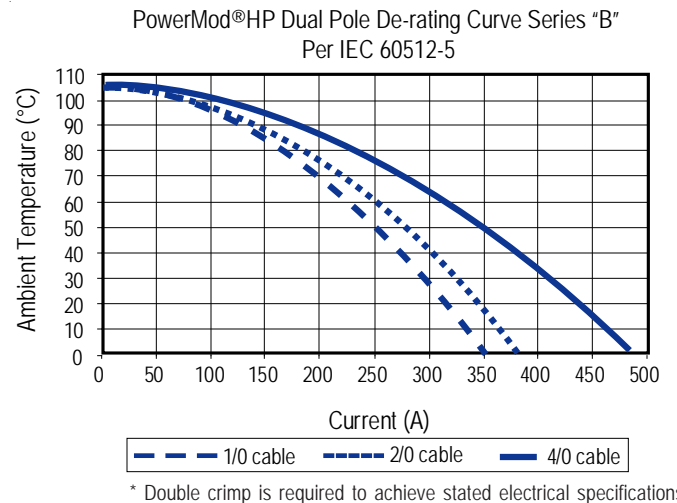


All Data Subject To Change Without Notice

## TEMPERATURE CHART



\* Double crimp is required to achieve stated electrical specifications



\* Double crimp is required to achieve stated electrical specifications

## MATING CONNECTORS

Dual Pole  
Straight Male



Dual Pole Panel  
Mount Male



HEADQUARTERS: 13 Pratts Junction Road, P.O. Box 579, Sterling, MA 01564 T:978-422-3600 F:978-422-3700

EUROPE: Rathealy Road, Fermoy Co. Cork, Ireland T:353-(0)25-32277 F:353-(0)25-32296

ASIA/PACIFIC: IDEAL Anderson Asia Pacific Ltd., Unit 922-928 Topsail Plaza, 11 On Sum Street, Shatin N.T., Hong Kong T:852-2636-0836 F:852-2635-9036

CHINA: IDEAL Anderson Technologies (Shenzhen) Ltd., Block A8 Tantou W. Ind. Par, Songgang Baoan District, Shenzhen, P.R. China 51810 T: 86-755-2768-2118 F: 86-755-2768-2218

TAIWAN: IDEAL Anderson Asia Pacific Ltd., Taiwan Branch, 4F.-2, No.116, Dadun 20th St., Situn District, Taichung City 407, Taiwan (R.O.C.) T: 886-4-2310-6451 F:886-4-2310-6460

[www.andersonpower.com](http://www.andersonpower.com)

PowerMod HP connectors, developed by Anderson Power Products, are the innovative New Generation of High Power Interconnections for the Electronics Industry.

The touch-safe, positive latching, PowerMod HP female connector design presents a new standard for high power connector safety. The ergonomic latch release is simple to operate and is colored blue for clear identification. Housings are a black UL94 V-0 flame retardant material.

PowerMod HP contacts are durable and rated for circuit interruption (true hot-pluggable). Series B contacts are available in 1/0 to 4/0 American wire gauge and 50mm<sup>2</sup> to 95mm<sup>2</sup> metric wire sizes for global design freedom. Our \*strain relief ensures superior contact reliability under adverse operating conditions.

APP PowerMod HP connectors embody the highest quality in the industry and meet all applicable industry standards.

\* Strain relief not optional on right angle

### Features

- **Right angle connector**  
*Offers short mated length for tight wiring applications*
- **Positive latching**  
*Integral Latches with ergonomic release provide over 50 lbs retention*
- **Touch safe female connectors**  
*Provides IP20 protection for safe, energized use outside the electronics cabinet*
- **High performance, hot pluggable female contacts**  
*Our patented design provides greater longevity for high power, elevated temperature applications*
- **Low connector mating forces**  
*Connectors are easily mated and un-mated*



### SPECIFICATIONS

| Electrical                      |                 | Mechanical                               |                           |
|---------------------------------|-----------------|--|---------------------------|
| Current Rating                  |                 | Mating Force                             | 33 lbs. (147N) avg        |
| UL                              | 400 Amps        | Latch Retention Force                    | 50 lbs. (222N) min        |
| CSA (30°C Rise)                 | 250 Amps        | Contact Retention Force                  | 150 lbs. (667N) min       |
| UL / CSA Voltage Rating         | 600 Volts       | Mating                                   |                           |
| Wire Size (AWG)                 | 1/0 to 4/0      | a. No Load(Contact/Disconnect Cycles)    | 500 Cycles                |
| (mm <sup>2</sup> )              | 50 to 95        | b. Under Load(Hot Plug 250 cycles @ 48V) | 150A                      |
| Insulation Withstanding Voltage | 2200 Volts      | <b>Materials</b>                         |                           |
| Operating Temperature Range °C  | minus 40-130 °C | Housing & Cable Clamp                    | PBT UL94 V-0              |
| Ambient Temperature Range °C    | minus 40-85 °C  | Latch                                    | PEI UL94 V-0              |
|                                 |                 | Contacts                                 | Copper alloy silver plate |
|                                 |                 | Hardware                                 | Steel zinc chromate       |



### ORDERING INFORMATION

#### PowerMod HP Part Number Plan - Dual Pole Right Angle Female

| Series                              | Series | Gender | Model | Wire Size |
|-------------------------------------|--------|--------|-------|-----------|
| PMHP                                | B      | F      | 13    | S09       |
| B *                                 |        |        |       |           |
| F - Female                          |        |        |       |           |
| 13 - Dual Pole R/A with Cable Clamp |        |        |       |           |
| S09 - 1/0 AWG to 50mm <sup>2</sup>  |        |        |       |           |
| S08 - 2/0 AWG to 70mm <sup>2</sup>  |        |        |       |           |
| S07 - 95mm <sup>2</sup>             |        |        |       |           |
| S06 - 4/0 AWG                       |        |        |       |           |

\* Maximum wire size 4/0 AWG

#### Components

| Part Number | Description  |
|-------------|--|
| PMHPBF13    | Housing Kit With Cable Clamp, Female, Dual Pole, R/A     |
| PMHPBS09    | Socket, Series B, Crimp for 1/0 AWG to 50mm <sup>2</sup> |
| PMHPBS08    | Socket, Series B, Crimp for 2/0 AWG to 70mm <sup>2</sup> |
| PMHPBS07    | Socket, Series B, Crimp for 95mm <sup>2</sup> wire       |
| PMHPBS06    | Socket, Series B, Crimp for 4/0 AWG wire                 |

HEADQUARTERS: 13 Pratts Junction Road, P.O. Box 579, Sterling, MA 01564 T:978-422-3600 F:978-422-3700

EUROPE: Rathealy Road, Fermoy Co. Cork, Ireland T:353-(0)25-32277 F:353-(0)25-32296

ASIA/PACIFIC: IDEAL Anderson Asia Pacific Ltd., Unit 922-928 Topsail Plaza, 11 On Sum Street, Shatin N.T., Hong Kong T:852-2636-0836 F:852-2635-9036

CHINA: IDEAL Anderson Technologies (Shenzhen) Ltd., Block A8 Tantou W. Ind. Par, Songgang Baoan District, Shenzhen, P.R. China 51810 T: 86-755-2768-2118 F: 86-755-2768-2218

TAIWAN: IDEAL Anderson Asia Pacific Ltd., Taiwan Branch, 4F.-2, No.116, Dadun 20th St., Situn District, Taichung City 407, Taiwan (R.O.C.) T: 886-4-2310-6451 F:886-4-2310-6460

[www.andersonpower.com](http://www.andersonpower.com)

## ORDERING INFORMATION

### Tooling

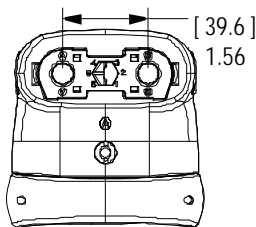
| Pneumatic Production Tool |             |         |             |                  |
|---------------------------|-------------|---------|-------------|------------------|
| Wire Size                 | Part Number | Die P/N | Locator P/N | Number of Crimps |
| 4/0                       | 1387G2      | 1303G3  | 1304G24     | 2                |
| 95mm <sup>2</sup>         | 1387G2      | 1303G17 | 1304G24     | 2                |
| 2/0-70mm <sup>2</sup>     | 1387G2      | 1303G16 | 1304G22     | 2                |
| 1/0-50mm <sup>2</sup>     | 1387G2      | 1303G8  | 1304G22     | 2                |

| Hand Tool             |           |         |         |                  |
|-----------------------|-----------|---------|---------|------------------|
| Wire Size             | Hydraulic | Battery | Die P/N | Number of Crimps |
| 4/0                   | 1387G3    | 1370    | 1322G14 | 2                |
| 95mm <sup>2</sup>     | 1387G3    | 1370    | 1322G1  | 2                |
| 2/0-70mm <sup>2</sup> | 1387G3    | 1370    | 1322G3  | 2                |
| 1/0-50mm <sup>2</sup> | 1387G3    | 1370    | 1322G13 | 2                |

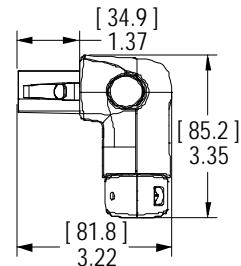
| Hydraulic Tool        |             |                  |
|-----------------------|-------------|------------------|
| Wire Size             | Part Number | Number of Crimps |
| 4/0                   | 1368        | 2                |
| 95mm <sup>2</sup>     | 1368        | 2                |
| 2/0-70mm <sup>2</sup> | 1368        | 2                |
| 1/0-50mm <sup>2</sup> | 1368        | 2                |

## DIMENSIONS

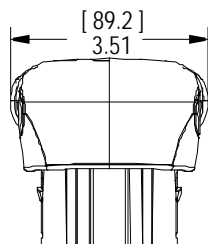
Front With Strain Relief



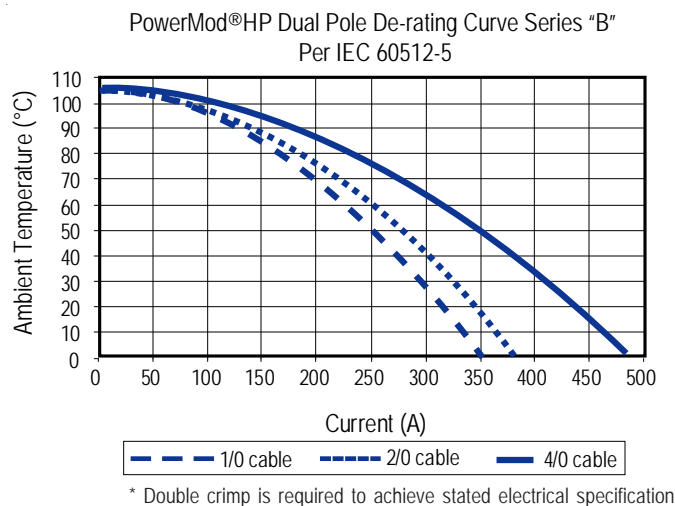
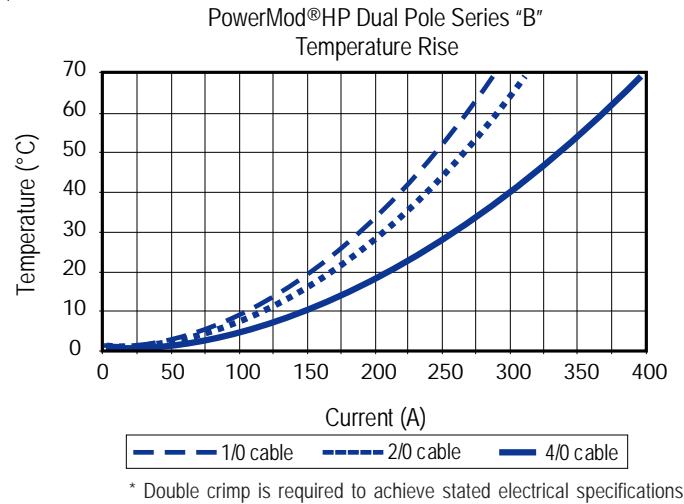
Side With Strain Relief



Top



## TEMPERATURE CHART



## MATING CONNECTORS

Dual Pole Straight Male



Dual Pole Panel Mount Male



All Data Subject To Change Without Notice

HEADQUARTERS: 13 Pratts Junction Road, P.O. Box 579, Sterling, MA 01564 T:978-422-3600 F:978-422-3700

EUROPE: Rathealy Road, Fermoy Co. Cork, Ireland T:353-(0)25-32277 F:353-(0)25-32296

ASIA/PACIFIC: IDEAL Anderson Asia Pacific Ltd., Unit 922-928 Topsail Plaza, 11 On Sum Street, Shatin N.T., Hong Kong T:852-2636-0836 F:852-2635-9036

CHINA: IDEAL Anderson Technologies (Shenzhen) Ltd., Block A8 Tantou W. Ind. Par, Songgang Baoan District, Shenzhen, P.R. China 51810 T: 86-755-2768-2118 F: 86-755-2768-2218

TAIWAN: IDEAL Anderson Asia Pacific Ltd., Taiwan Branch, 4F.-2, No.116, Dadun 20th St., Situn District, Taichung City 407, Taiwan (R.O.C.) T: 886-4-2310-6451 F:886-4-2310-6460

[www.andersonpower.com](http://www.andersonpower.com)

PowerMod HP connectors, developed by Anderson Power Products, are the innovative New Generation of High Power Interconnections for the Electronics Industry.

The touch-safe PowerMod HP female panel connector is designed for high power connector safety. Male panel connectors are designed for blind mating with female panel connectors or positive latching with female cable connectors. Housings are a black UL94 V-0 flame retardant material.

PowerMod HP contacts are durable and rated for circuit interruption (true hot-pluggable). Series B contacts are available in 1/0 to 4/0 American wire gauge and 50mm<sup>2</sup> to 95mm<sup>2</sup> metric wire sizes for global design freedom.

Our optional blind mating hardware accommodates up to +/- .125" (3mm) of misalignment and is available for both male and female panel connectors.

APP PowerMod HP connectors embody the highest quality in the industry and meet all applicable industry standards.

### Features

- **Positive latching**  
*Integral Latches with ergonomic release provide over 50 lbs retention*
- **Low connector mating forces**  
*Connectors are easily mated and un-mated*
- **Blind mate panel mount option**  
*Provides over +/- .125" (3mm) of float mount capability*
- **Ease of assembly**  
*Intuitive design allows for simplicity of assembly*



Panel Mount



Panel Mount Blind Mate

### SPECIFICATIONS

#### Electrical

|                                 |  |                 |
|---------------------------------|--|-----------------|
| Current Rating                  |  |                 |
| UL                              |  | 400 Amps        |
| CSA (30°C Rise)                 |  | 250 Amps        |
| UL / CSA Voltage Rating         |  | 600 Volts       |
| Wire Size (AWG)                 |  | 1/0 to 4/0      |
| (mm <sup>2</sup> )              |  | 50 to 95        |
| Insulation Withstanding Voltage |  | 2200 Volts      |
| Operating Temperature Range °C  |  | minus 40-130 °C |
| Ambient Temperature Range °C    |  | minus 40-85 °C  |

#### Mechanical

|  |                     |
|--|---------------------|
| Mating Force                             | 33 lbs. (147N) avg  |
| Latch Retention Force                    | 50 lbs. (222N) min  |
| Contact Retention Force                  | 150 lbs. (667N) min |
| Mating                                   |                     |
| a. No Load(Contact/Disconnect Cycles)    | 500 Cycles          |
| b. Under Load(Hot Plug 250 cycles @ 48V) | 150A                |

#### Materials

|                       |                           |
|-----------------------|---------------------------|
| Housing & Cable Clamp | PBT UL94 V-0              |
| Latch                 | PEI UL94 V-0              |
| Contacts              | Copper alloy silver plate |
| Hardware              | Steel zinc chromate       |



### ORDERING INFORMATION

#### PowerMod HP Part Number Plan - Dual Pole Panel Mount Male

| Series                                    | Series | Gender | Model | Wire Size |
|---|--------|--------|-------|-----------|
| PMHP                                      | B      | M      | 14    | P04       |
| <b>B *</b>                                |        |        |       |           |
| M - Male                                  |        |        |       |           |
| 14 - Dual Pole Male Panel Mount           |        |        |       |           |
| 15 - Dual Pole Male Blindmate Panel Mount |        |        |       |           |
| P04 - 1/0 AWG to 50mm <sup>2</sup>        |        |        |       |           |
| P03 - 2/0 AWG to 70mm <sup>2</sup>        |        |        |       |           |
| P02 - 95mm <sup>2</sup>                   |        |        |       |           |
| P01 - 4/0 AWG                             |        |        |       |           |

\* Maximum wire size 4/0 AWG

#### Components

| Part Number | Description  |
|-------------|--|
| PMHPBM14    | Housing Kit, Male, Dual Pole, Panel Mount With Key                   |
| PMHPBM15    | Housing Kit, Male, Dual Pole, Panel Mount No Key with Blindmate Post |
| PMHPBP04    | Pin, Series B, Crimp for 1/0 AWG to 50mm <sup>2</sup> wire           |
| PMHPBP03    | Pin, Series B, Crimp for 2/0 AWG to 70mm <sup>2</sup> wire           |
| PMHPBP02    | Pin, Series B, Crimp for 95mm <sup>2</sup> wire                      |
| PMHPBP01    | Pin, Series B, Crimp for 4/0 AWG wire                                |
| PMHPBFMH    | Float Mount Kit  |

HEADQUARTERS: 13 Pratts Junction Road, P.O. Box 579, Sterling, MA 01564 T:978-422-3600 F:978-422-3700

EUROPE: Rathealy Road, Fermoy Co. Cork, Ireland T:353-(0)25-32277 F:353-(0)25-32296

ASIA/PACIFIC: IDEAL Anderson Asia Pacific Ltd., Unit 922-928 Topsail Plaza, 11 On Sum Street, Shatin N.T., Hong Kong T:852-2636-0836 F:852-2635-9036

CHINA: IDEAL Anderson Technologies (Shenzhen) Ltd., Block A8 Tantou W. Ind. Par, Songgang Baoan District, Shenzhen, P.R. China 51810 T: 86-755-2768-2118 F: 86-755-2768-2218

TAIWAN: IDEAL Anderson Asia Pacific Ltd., Taiwan Branch, 4F.-2, No.116, Dadun 20th St., Situn District, Taichung City 407, Taiwan (R.O.C.) T: 886-4-2310-6451 F:886-4-2310-6460

[www.andersonpower.com](http://www.andersonpower.com)

## ORDERING INFORMATION

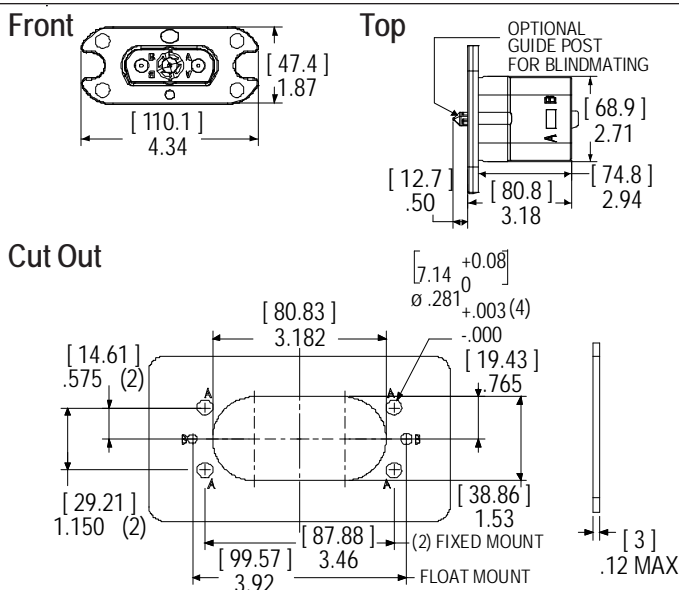
### Tooling

| Pneumatic Production Tool |             |         |             |                  |
|---------------------------|-------------|---------|-------------|------------------|
| Wire Size                 | Part Number | Die P/N | Locator P/N | Number of Crimps |
| 4/0                       | 1387G2      | 1303G3  | 1304G25     | 2                |
| 95mm <sup>2</sup>         | 1387G2      | 1303G17 | 1304G25     | 2                |
| 2/0-70mm <sup>2</sup>     | 1387G2      | 1303G16 | 1304G23     | 2                |
| 1/0-50mm <sup>2</sup>     | 1387G2      | 1303G8  | 1304G23     | 2                |

| Hand Tool             |           |         |         |                  |
|-----------------------|-----------|---------|---------|------------------|
| Wire Size             | Hydraulic | Battery | Die P/N | Number of Crimps |
| 4/0                   | 1387G3    | 1370    | 1322G14 | 2                |
| 95mm <sup>2</sup>     | 1387G3    | 1370    | 1322G1  | 2                |
| 2/0-70mm <sup>2</sup> | 1387G3    | 1370    | 1322G3  | 2                |
| 1/0-50mm <sup>2</sup> | 1387G3    | 1370    | 1322G13 | 2                |

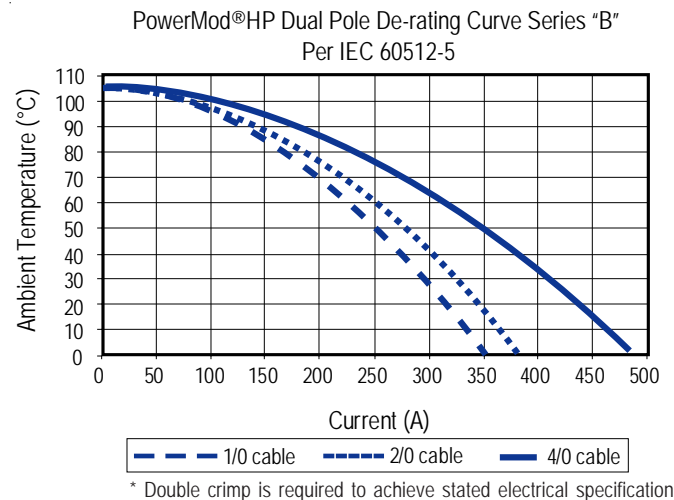
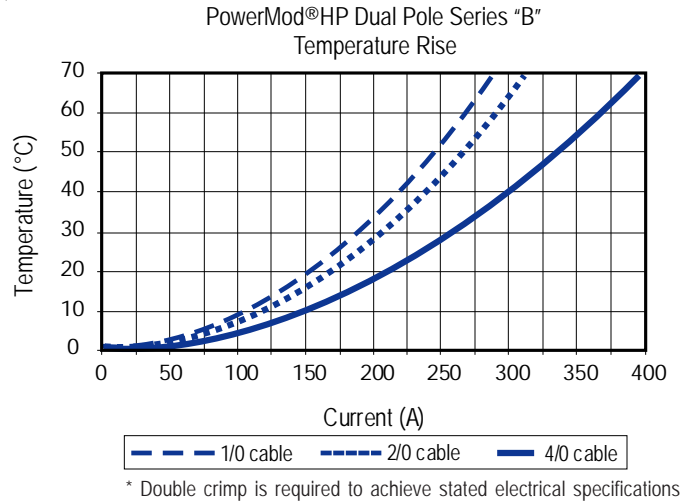
| Hydraulic Tool        |             |                  |
|-----------------------|-------------|------------------|
| Wire Size             | Part Number | Number of Crimps |
| 4/0                   | 1368        | 2                |
| 95mm <sup>2</sup>     | 1368        | 2                |
| 2/0-70mm <sup>2</sup> | 1368        | 2                |
| 1/0-50mm <sup>2</sup> | 1368        | 2                |

## DIMENSIONS



All Data Subject To Change Without Notice

## TEMPERATURE CHART

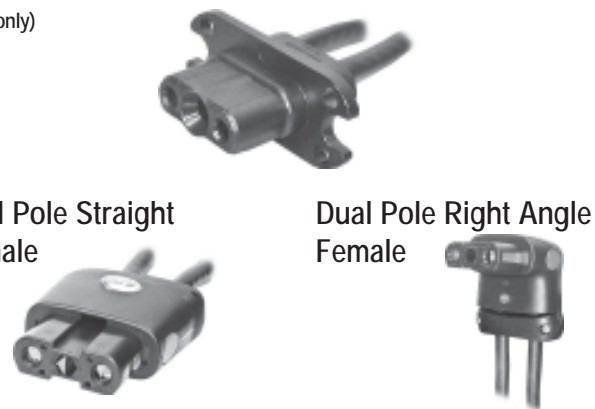


## MATING CONNECTORS

Dual Pole Panel Mount Female - (mates with panel mount blind mate only)

Dual Pole Straight Female

Dual Pole Right Angle Female



HEADQUARTERS: 13 Pratts Junction Road, P.O. Box 579, Sterling, MA 01564 T:978-422-3600 F:978-422-3700

EUROPE: Raheen Road, Fermoy Co. Cork, Ireland T:353-(0)25-32277 F:353-(0)25-32296

ASIA/PACIFIC: IDEAL Anderson Asia Pacific Ltd., Unit 922-928 Topsail Plaza, 11 On Sum Street, Shatin N.T., Hong Kong T:852-2636-0836 F:852-2635-9036

CHINA: IDEAL Anderson Technologies (Shenzhen) Ltd., Block A8 Tantou W. Ind. Par. Songgang Baoan District, Shenzhen, P.R. China 51810 T: 86-755-2768-2118 F: 86-755-2768-2218

TAIWAN: IDEAL Anderson Asia Pacific Ltd., Taiwan Branch, 4F.-2, No.116, Dadun 20th St., Situn District, Taichung City 407, Taiwan (R.O.C.) T: 886-4-2310-6451 F:886-4-2310-6460

www.andersonpower.com



PowerMod HP connectors, developed by Anderson Power Products, are the innovative New Generation of High Power Interconnections for the Electronics Industry.

The touch-safe PowerMod HP female panel connector is designed for high power connector safety. Male panel connectors are designed for blind mating with female panel connectors or positive latching with female cable connectors. Housings are a black UL94 V-0 flame retardant material.

PowerMod HP contacts are durable and rated for circuit interruption (true hot-pluggable). Series B contacts are available in 1/0 to 4/0 American wire gauge and 50mm<sup>2</sup> to 95mm<sup>2</sup> metric wire sizes for global design freedom.

Our optional blind mating hardware accommodates up to +/- .125" (3mm) of misalignment and is available for both male and female panel connectors.

APP PowerMod HP connectors embody the highest quality in the industry and meet all applicable industry standards.

### Features

- **Blind mate panel mount option**  
*Provides over +/- .125" (3mm) of float mount capability*
- **Touch safe female connectors**  
*Provides IP20 protection for safe, energized use outside the electronics cabinet*
- **High performance, hot pluggable female contacts**  
*Our patented design provides greater longevity for high power, elevated temperature applications*
- **Low connector mating forces**  
*Connectors are easily mated and un-mated*
- **Ease of assembly**  
*Intuitive design allows for simplicity of assembly*



### SPECIFICATIONS

| Electrical                      |                 | Mechanical                               |                           |
|---------------------------------|-----------------|--|---------------------------|
| Current Rating                  |                 | Mating Force                             | 33 lbs. (147N) avg        |
| UL                              | 400 Amps        | Latch Retention Force                    | 50 lbs. (222N) min        |
| CSA (30°C Rise)                 | 250 Amps        | Contact Retention Force                  | 150 lbs. (667N) min       |
| UL / CSA Voltage Rating         | 600 Volts       | Mating                                   |                           |
| Wire Size (AWG)                 | 1/0 to 4/0      | a. No Load(Contact/Disconnect Cycles)    | 500 Cycles                |
| (mm <sup>2</sup> )              | 50 to 95        | b. Under Load(Hot Plug 250 cycles @ 48V) | 150A                      |
| Insulation Withstanding Voltage | 2200 Volts      | <b>Materials</b>                         |                           |
| Operating Temperature Range °C  | minus 40-130 °C | Housing & Cable Clamp                    | PBT UL94 V-0              |
| Ambient Temperature Range °C    | minus 40-85 °C  | Latch                                    | PEI UL94 V-0              |
|                                 |                 | Contacts                                 | Copper alloy silver plate |
|                                 |                 | Hardware                                 | Steel zinc chromate       |



### ORDERING INFORMATION

#### PowerMod HP Part Number Plan - Dual Pole Panel Mount Blind Mate Female

| Series                             | Series | Gender | Model | Wire Size |
|------------------------------------|--------|--------|-------|-----------|
| PMHP                               | B      | F      | 14    | S04       |
| B *                                |        |        |       |           |
| F - Female                         |        |        |       |           |
| 14 - Dual Pole Female Panel Mount  |        |        |       |           |
| S04 - 1/0 AWG to 50mm <sup>2</sup> |        |        |       |           |
| S03 - 2/0 AWG to 70mm <sup>2</sup> |        |        |       |           |
| S02 - 95mm <sup>2</sup>            |        |        |       |           |
| S01 - 4/0 AWG                      |        |        |       |           |

#### Components

| Part Number | Description   |
|-------------|---|
| PMHPBF14    | Housing Kit, Female, Dual Pole, Panel Mount                   |
| PMHPBS04    | Socket, Series B, Crimp for 1/0 AWG to 50mm <sup>2</sup> wire |
| PMHPBS03    | Socket, Series B, Crimp for 2/0 AWG to 70mm <sup>2</sup> wire |
| PMHPBS02    | Socket, Series B, Crimp for 95mm <sup>2</sup> wire            |
| PMHPBS01    | Socket, Series B, Crimp for 4/0 AWG wire                      |
| PMHPBFMH    | Float Mount Kit   |

\* Maximum wire size 4/0 AWG

HEADQUARTERS: 13 Pratts Junction Road, P.O. Box 579, Sterling, MA 01564 T:978-422-3600 F:978-422-3700

EUROPE: Rahealy Road, Fermoy Co. Cork, Ireland T:353-(0)25-32277 F:353-(0)25-32296

ASIA/PACIFIC: IDEAL Anderson Asia Pacific Ltd., Unit 922-928 Topsail Plaza, 11 On Sum Street, Shatin N.T., Hong Kong T:852-2636-0836 F:852-2635-9036

CHINA: IDEAL Anderson Technologies (Shenzhen) Ltd., Block A8 Tantou W. Ind. Par, Songgang Baoan District, Shenzhen, P.R. China 51810 T: 86-755-2768-2118 F: 86-755-2768-2218

TAIWAN: IDEAL Anderson Asia Pacific Ltd., Taiwan Branch, 4F.-2, No.116, Dadun 20th St., Situn District, Taichung City 407, Taiwan (R.O.C.) T: 886-4-2310-6451 F:886-4-2310-6460

[www.andersonpower.com](http://www.andersonpower.com)

## ORDERING INFORMATION

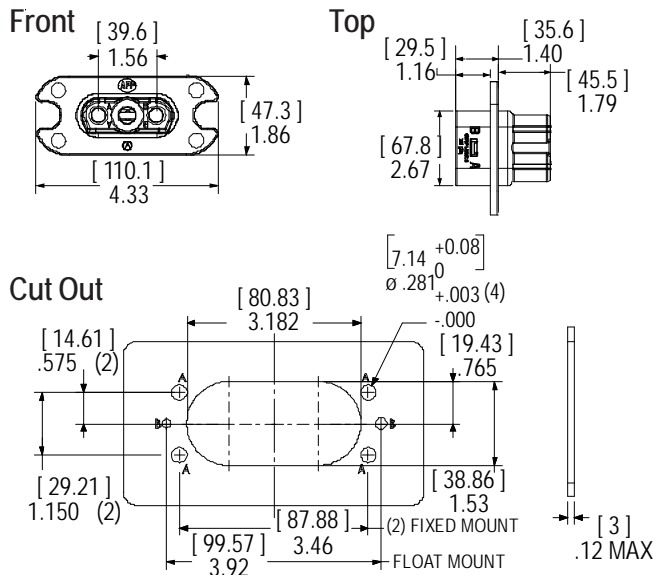
### Tooling

| Pneumatic Production Tool |             |         |             |                  |
|---------------------------|-------------|---------|-------------|------------------|
| Wire Size                 | Part Number | Die P/N | Locator P/N | Number of Crimps |
| 4/0                       | 1387G2      | 1303G3  | 1304G25     | 2                |
| 95mm <sup>2</sup>         | 1387G2      | 1303G17 | 1304G25     | 2                |
| 2/0-70mm <sup>2</sup>     | 1387G2      | 1303G16 | 1304G23     | 2                |
| 1/0-50mm <sup>2</sup>     | 1387G2      | 1303G8  | 1304G23     | 2                |

| Hand Tool             |           |         |         |                  |
|-----------------------|-----------|---------|---------|------------------|
| Wire Size             | Hydraulic | Battery | Die P/N | Number of Crimps |
| 4/0                   | 1387G3    | 1370    | 1322G14 | 2                |
| 95mm <sup>2</sup>     | 1387G3    | 1370    | 1322G1  | 2                |
| 2/0-70mm <sup>2</sup> | 1387G3    | 1370    | 1322G3  | 2                |
| 1/0-50mm <sup>2</sup> | 1387G3    | 1370    | 1322G13 | 2                |

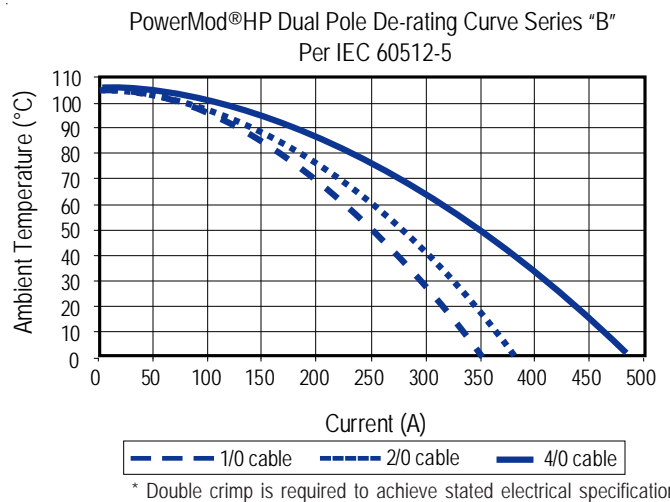
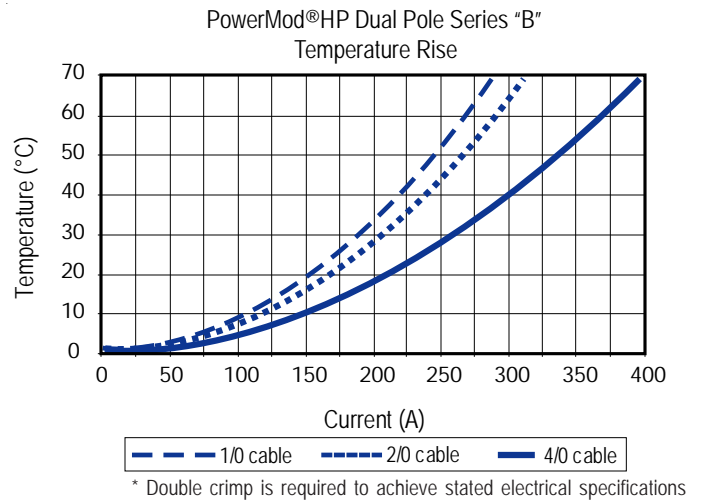
| Hydraulic Tool        |             |                  |
|-----------------------|-------------|------------------|
| Wire Size             | Part Number | Number of Crimps |
| 4/0                   | 1368        | 2                |
| 95mm <sup>2</sup>     | 1368        | 2                |
| 2/0-70mm <sup>2</sup> | 1368        | 2                |
| 1/0-50mm <sup>2</sup> | 1368        | 2                |

## DIMENSIONS



All Data Subject To Change Without Notice

## TEMPERATURE CHART



## MATING CONNECTORS

### Dual Pole Panel Mount Blind Mate Male



HEADQUARTERS: 13 Pratts Junction Road, P.O. Box 579, Sterling, MA 01564 T:978-422-3600 F:978-422-3700

EUROPE: Raheen Road, Fermoy Co. Cork, Ireland T:353-(0)25-32277 F:353-(0)25-32296

ASIA/PACIFIC: IDEAL Anderson Asia Pacific Ltd., Unit 922-928 Topsail Plaza, 11 On Sum Street, Shatin N.T., Hong Kong T:852-2636-0836 F:852-2635-9036

CHINA: IDEAL Anderson Technologies (Shenzhen) Ltd., Block A8 Tantou W. Ind. Par, Songgang Baoan District, Shenzhen, P.R. China 51810 T: 86-755-2768-2118 F: 86-755-2768-2218

TAIWAN: IDEAL Anderson Asia Pacific Ltd., Taiwan Branch, 4F.-2, No.116, Dadun 20th St., Situn District, Taichung City 407, Taiwan (R.O.C.) T: 886-4-2310-6451 F:886-4-2310-6460

[www.andersonpower.com](http://www.andersonpower.com)



## Connector Notes

---

---

---

---

---

---

---

---

*For customer drawings, assembly instructions and individual data sheets, please visit [www.andersonpower.com](http://www.andersonpower.com).*

**HEADQUARTERS:** 13 Pratts Junction Road, P.O. Box 579, Sterling, MA 01564 T:978-422-3600 F:978-422-3700

**EUROPE:** Rathealy Road, Fermoy Co. Cork, Ireland T:353-(0)25-32277 F:353-(0)25-32296

**ASIA/PACIFIC:** IDEAL Anderson Asia Pacific Ltd., Unit 922-928 Topsail Plaza, 11 On Sum Street, Shatin N.T., Hong Kong T:852-2636-0836 F:852-2635-9036

**CHINA:** IDEAL Anderson Technologies (Shenzhen) Ltd., Block A8 Tantou W. Ind. Par, Songgang Baoan District, Shenzhen, P.R. China 51810 T: 86-755-2768-2118 F: 86-755-2768-2218

**TAIWAN:** IDEAL Anderson Asia Pacific Ltd., Taiwan Branch, 4F.-2, No.116, Dadun 20th St., Situn District, Taichung City 407, Taiwan (R.O.C.) T: 886-4-2310-6451 F:886-4-2310-6460

**[www.andersonpower.com](http://www.andersonpower.com)**

### FEATURES

- **Mixed power and signal contacts**  
*Use of a single connector simplifies system tolerances and manufacturing*
- **Industry standard contacts**  
*Allows for cross mating with competitive product*
- **Wide selection of contact termination**  
*Provides the designer a wide variety of packaging options*
- **First-mate and last-mate capability**  
*Grounds and powers the system before mating of signal circuits*
- **Integral guide pins**  
*Corrects misalignment during blind mating*
- **Optional floating mount**  
*Reduces fatiguing stress on connectors during blindmating*



### PRODUCT RANGE

| Electrical                         | #8                    | #12  | #20  | Materials                     |                    |
|------------------------------------|-----------------------|------|------|-------------------------------|--------------------|
| Current Rating - amps              | 75                    | 35   | 5    | Insulator                     | PBT UL94 V-0       |
| Voltage Rating - volts             | 600                   | 600  | 600  | Crimp Pin or Socket Body      | Copper alloy       |
| Voltage Drop mV                    | 6.00                  | 3.30 | 0.70 | Solder Cup Pin or Socket Body | Brass              |
| Insulator Dielectric Strength      | 2200 VDC              |      |      | PCB Pin or Socket Body        | Brass              |
| Working Temperature Range          | -40 to +125 degree °C |      |      | Female Contact                | BeCu               |
| Mechanical                         | #8                    | #12  | #20  | Contact Plating               |                    |
| Insertion Force Per Contact - lbs  | 2.00                  | 1.80 | 0.43 | #8 and #12                    | Silver Over Nickel |
| - kg                               | 0.91                  | 0.82 | 0.20 | #20 and #12AU                 | Gold Over Nickel   |
| Extraction Force Per Contact - lbs | 1.26                  | 1.02 | 0.07 |                               |                    |
| - kg                               | 0.57                  | 0.46 | 0.03 |                               |                    |



### PRODUCT INFORMATION

Anderson Power Products new line of power drawer series connectors gives our customers more selections than ever, to meet their power connector needs. These cost effective, mixed power and signal drawer connectors are manufactured using the same high quality standards that have made APP a leader in the power connector industry for years. The 35 and 75 amp Power Drawer connectors are a cost-effective, mixed power and signal drawer connector. The connectors are used on "N + 1" power supply and inverter systems.

APP's versatile Power Drawer connectors offers the designer a wide variety of options. The 75 amp Power Drawer can be configured with up to four #8 AWG, nine #12 AWG and twenty-four #20 AWG contacts. Both pin and socket contacts are available with crimp, solder cup or printed circuit board termination. The 35 amp Power Drawer can be configured with up to eight #12 AWG, eight #16 AWG, four #16 AWG, four #12 AWG and twenty-one #20 AWG contacts. Both connectors can be cross-mated with competitor product.

The connector's pin contacts can also be specified for first-mate and last-mate connection. This allows the electronic system to be grounded and mating electronically verified, before the power circuits are energized. The APP Power Drawer connectors also feature integral guide pins, which correct misalignment during blind mating. Additionally, the connector offers an optional floating mount, reducing the fatigue stress on the connector during blind mating. The drawer series can be used for a wide range of drawer-type applications such as rectifiers, inverters, mainframe computers, servers telecommunications and network equipment.

All Data Subject To Change Without Notice

Anderson Power Products new line of power drawer series connectors gives our customers more selections than ever to meet their power connector needs. These cost effective, mixed power and signal drawer connectors are manufactured using the same high quality standards that have made APP a leader in the power connector industry for years. The drawer series can be used for a wide range of drawer-type applications such as rectifiers, mainframe computers, telecommunications, and network equipment. If power and signal is required, let Anderson Power Products be "Your Best Connection."

## FEATURES

- **Industry standard contacts**  
*Allows for cross mating with competitive product*
- **Wide selection of contact termination**  
*Provides the designer a wide variety of packaging options*
- **First-mate and last-mate capability**  
*Grounds and powers the system before mating of signal circuits*
- **Integral guide pins**  
*Corrects misalignment during blind mating*



## PRODUCT SPECIFICATIONS

| Electrical                         | #12                   | #16 | #20  | Materials                     |                    |
|------------------------------------|-----------------------|-----|------|-------------------------------|--------------------|
| Current Rating - amps              | 35                    | 25  | 5    | Insulator                     | PBT UL94 V-0       |
| Voltage Rating - volts             | 600                   | 600 | 600  | Crimp Pin or Socket Body      | Copper alloy       |
| Voltage Drop mV                    | 3.30                  | 2.1 | 0.70 | Solder Cup Pin or Socket Body | Brass              |
| Insulator Dielectric Strength      | 2200 VDC              |     |      | PCB Pin or Socket Body        | Brass              |
| Working Temperature Range          | -40 to +125 degree °C |     |      | Female Contact                | BeCu               |
| Mechanical                         | #12                   | #16 | #20  | Contact Plating               |                    |
| Insertion Force Per Contact - lbs  | 1.80                  | 1.2 | 0.43 | #12 & #16                     | Silver Over Nickel |
| - kg                               | 0.82                  | .55 | 0.20 | #20 & #12HP                   | Gold Over Nickel   |
| Extraction Force Per Contact - lbs | 1.02                  | .50 | 0.07 |                               |                    |
| - kg                               | 0.46                  | .23 | 0.03 |                               |                    |



## ORDERING INFORMATION

### Housings Only

| Part Number | Gender | Contacts AWG |     |     |
|-------------|--------|--------------|-----|-----|
|             |        | #12          | #16 | #20 |
| 035LDAP     | Pin    | 8            | —   | 21  |
| 035LDAS     | Socket | 8            | —   | 21  |
| 035LDBP     | Pin    | 4            | 4   | 21  |
| 035LDBS     | Socket | 4            | 4   | 21  |
| 035LDLCP    | Pin    | —            | 8   | 21  |
| 035LDLCS    | Socket | —            | 8   | 21  |

### Socket Contacts

| Part Number | Termination          | Wire |        |
|-------------|----------------------|------|--------|
|             |                      | AWG  | sq. mm |
| SC20-GN     | Crimp*               | #20  | .5     |
| SP20-GN     | PCB tail*            | #20  | .5     |
| SS20-SN     | Solder cup, standard | #20  | .5     |
| SC16-SN     | Crimp                | #16  | .96    |
| SP16-SN     | PCB                  | #16  | .96    |
| SS16-SN     | Solder cup, standard | #16  | .96    |

\* Gold Plating

### socket contacts continued

| Part Number | Termination          | Wire  |        |
|-------------|----------------------|-------|--------|
|             |                      | AWG   | sq. mm |
| SC12-SN     | Crimp                | #12   | 2.5    |
| SP12-SN     | PCB tail             | #12   | 2.5    |
| SC12-GH     | Crimp*               | #12hp | 2.5    |
| SP12-GH     | PCB tail*            | #12hp | 2.5    |
| SS12-SN     | Solder cup, standard | #12   | 2.5    |

### Pin Contacts

| Part Number | Termination / Pin Length | Wire |        |
|-------------|--------------------------|------|--------|
|             |                          | AWG  | sq. mm |
| PC20SGN     | Crimp, standard*         | #20  | .5     |
| PC20FGN     | Crimp, premate*          | #20  | .5     |
| PC20LGN     | Crimp, postmate*         | #20  | .5     |
| PP20SGN     | PCB tail, standard*      | #20  | .5     |
| PP20FGN     | PCB tail, premate*       | #20  | .5     |
| PP20LGN     | PCB tail, postmate*      | #20  | .5     |
| PS20SGN     | Solder cup, standard     | #20  | .5     |
| PS20FGN     | Solder cup, premate      | #20  | .5     |
| PS20LGN     | Solder cup, post mate    | #20  | .5     |
| PC16SSN     | Crimp standard           | #16  | .96    |
| PC16FSN     | Crimp premate            | #16  | .96    |
| PC16LSN     | Crimp postmate           | #16  | .96    |
| PP16SSN     | PCB tail standard        | #16  | .96    |
| PP16FSN     | PCB tail premate         | #16  | .96    |
| PP16LSN     | PCB tail postmate        | #16  | .96    |

### pin contacts continued

| Part Number | Termination / Pin Length | Wire  |        |
|-------------|--------------------------|-------|--------|
|             |                          | AWG   | sq. mm |
| PS16SSN     | Solder cup, standard     | #16   | .96    |
| PS16FSN     | Solder cup, premate      | #16   | .96    |
| PS16LSN     | Solder cup, post mate    | #16   | .96    |
| PC12SSN     | Crimp, standard          | #12   | 2.5    |
| PC12FSN     | Crimp, premate           | #12   | 2.5    |
| PC12LSN     | Crimp, postmate          | #12   | 2.5    |
| PP12SSN     | PCB tail, standard       | #12   | 2.5    |
| PP12FSN     | PCB tail, premate        | #12   | 2.5    |
| PP12LSN     | PCB tail, postmate       | #12   | 2.5    |
| PC12SGH     | Crimp standard*          | #12hp | 2.5    |
| PC12FGH     | Crimp premate*           | #12hp | 2.5    |
| PC12LGH     | Crimp postmate*          | #12hp | 2.5    |
| PP12SGH     | PCB tail standard*       | #12hp | 2.5    |
| PP12FGH     | PCB tail premate*        | #12hp | 2.5    |
| PP12LGH     | PCB tail postmate*       | #12hp | 2.5    |

### Float Mount Screws

| Part Number | Description                           |
|-------------|---------------------------------------|
| FMS6-32     | Float mount shoulder screw 6-32 UNC2A |
| FMS8-32     | Float mount shoulder screw 8-32 UNC2A |
| FMSM4-07    | Float mount shoulder screw M4 x0.7    |

HEADQUARTERS: 13 Pratts Junction Road, P.O. Box 579, Sterling, MA 01564 T:978-422-3600 F:978-422-3700

EUROPE: Rathealy Road, Fermoy Co. Cork, Ireland T:353-(0)25-32277 F:353-(0)25-32296

ASIA/PACIFIC: IDEAL Anderson Asia Pacific Ltd., Unit 922-928 Topsail Plaza, 11 On Sum Street, Shatin N.T., Hong Kong T:852-2636-0836 F:852-2635-9036

CHINA: IDEAL Anderson Technologies (Shenzhen) Ltd., Block A8 Tantou W. Ind. Par, Songgang Baoan District, Shenzhen, PR. China 51810 T: 86-755-2768-2118 F: 86-755-2768-2218

TAIWAN: IDEAL Anderson Asia Pacific Ltd., Taiwan Branch, 4F.-2, No.116, Dadun 20th St., Situn District, Taichung City 407, Taiwan (R.O.C.) T: 886-4-2310-6451 F:886-4-2310-6460

[www.andersonpower.com](http://www.andersonpower.com)

## WIRE/TOOLING INFORMATION

### Wire Strip Length

The following table represents Anderson Power Products recommended strip lengths for the wire.

| Contact Size | Wire Size | Strip Length |      |
|--------------|-----------|--------------|------|
|              |           | inches       | mm   |
| #20          | #24 - #20 | .21          | 5.33 |
| #16          | #20 - #16 | .27          | 6.86 |
| #12          | #14 - #12 | .27          | 6.86 |

### Tooling

The following table represents the crimp tooling recommended for crimp contacts. Consult APP factory for ordering information.

| Part Number | Description                                |
|-------------|--|
| PM1000G1    | Four indent hand tool                      |
| PM1001G1    | Loose crimp piece machine - semi automatic |

| Size (AWG) | Type  | MIL-STD     |
|------------|---|-------------|
| 12 to 24   | Crimp Tool  | M22520/1-01 |
|            | Turret Head and Locator                                   | M22520/1-02 |
| 100G1      | Insertion & Removal Tool Kit (#12, #16, #20 AWG contacts) |             |

## DIMENSIONS

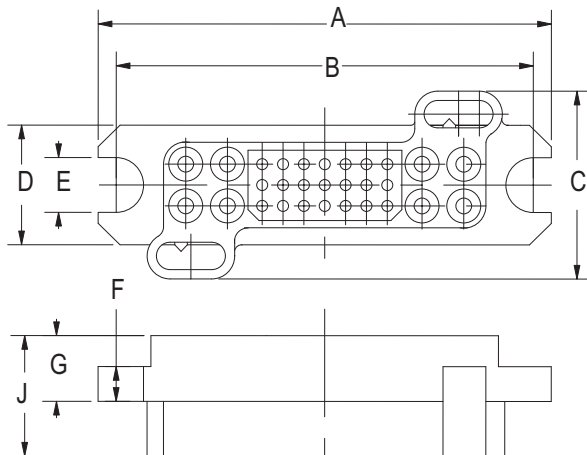
### Housings Dimensions

|        | -A-  | -B-  | -C-  | -D-  | -E-  |
|--------|------|------|------|------|------|
| inches | 3.26 | 3.0  | 1.33 | 0.86 | 0.40 |
| mm     | 82.8 | 76.2 | 33.9 | 21.8 | 10.2 |

|        | -F-  | -G-  | -H-  | -I-  | -J-  |
|--------|------|------|------|------|------|
| inches | 0.25 | 0.49 | 1.13 | 0.40 | 0.86 |
| mm     | 6.4  | 12.4 | 28.7 | 10.2 | 21.8 |

### Pin Housing



### Socket Housing



All Data Subject To Change Without Notice

HEADQUARTERS: 13 Pratts Junction Road, P.O. Box 579, Sterling, MA 01564 T:978-422-3600 F:978-422-3700

EUROPE: Rathealy Road, Fermoy Co. Cork, Ireland T:353-(0)25-32277 F:353-(0)25-32296

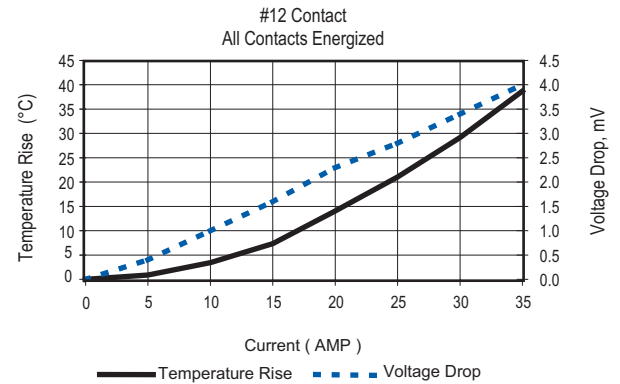
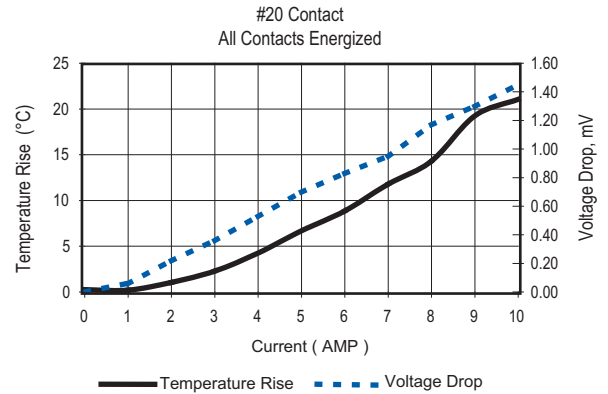
ASIA/PACIFIC: IDEAL Anderson Asia Pacific Ltd., Unit 922-928 Topsail Plaza, 11 On Sum Street, Shatin N.T., Hong Kong T:852-2636-0836 F:852-2635-9036

CHINA: IDEAL Anderson Technologies (Shenzhen) Ltd., Block A8 Tantou W. Ind. Par, Songgang Baoan District, Shenzhen, P.R. China 51810 T: 86-755-2768-2118 F: 86-755-2768-2218

TAIWAN: IDEAL Anderson Asia Pacific Ltd., Taiwan Branch, 4F.-2, No.116, Dadun 20th St., Situn District, Taichung City 407, Taiwan (R.O.C.) T: 886-4-2310-6451 F:886-4-2310-6460

[www.andersonpower.com](http://www.andersonpower.com)

## TEMPERATURE RISE CHARTS



Anderson Power Products new line of power drawer series connectors gives our customers more selections than ever to meet their power connector needs. These cost effective, mixed power and signal drawer connectors are manufactured using the same high quality standards that have made APP a leader in the power connector industry for years. The drawer series can be used for a wide range of drawer-type applications such as rectifiers, mainframe computers, telecommunications, and network equipment. If power and signal is required, let Anderson Power Products be "Your Best Connection."

## FEATURES

- **Industry standard contacts**  
*Allows for cross mating with competitive product*
- **Wide selection of contact termination**  
*Provides the designer a wide variety of packaging options*
- **First-mate and last-mate capability**  
*Grounds and powers the system before mating of signal circuits*
- **Integral guide pins**  
*Corrects misalignment during blind mating*
- **Optional floating mount**  
*Reduces fatiguing stress on connectors during blindmating*



## PRODUCT SPECIFICATIONS

| Electrical                         | #8                    | #12  | #20  | Materials                     |                    |
|------------------------------------|-----------------------|------|------|-------------------------------|--------------------|
| Current Rating - amps              | 75                    | 35   | 5    | Insulator                     | PBT UL94 V-0       |
| Voltage Rating - volts             | 600                   | 600  | 600  | Crimp Pin or Socket Body      | Copper alloy       |
| Voltage Drop mV                    | 6.00                  | 3.30 | 0.70 | Solder Cup Pin or Socket Body | Brass              |
| Insulator Dielectric Strength      | 2200 VDC              |      |      | PCB Pin or Socket Body        | Brass              |
| Working Temperature Range          | -40 to +125 degree °C |      |      | Female Contact                | BeCu               |
| Mechanical                         | #8                    | #12  | #20  | Contact Plating               |                    |
| Insertion Force Per Contact - lbs  | 2.00                  | 1.80 | 0.43 | #8 & #12                      | Silver Over Nickel |
| - kg                               | 0.91                  | 0.82 | 0.20 | #20 & #12AU                   | Gold Over Nickel   |
| Extraction Force Per Contact - lbs | 1.26                  | 1.02 | 0.07 |                               |                    |
| - kg                               | 0.57                  | 0.46 | 0.03 |                               |                    |



## ORDERING INFORMATION

### Housings Only

| Part Number | Description                      |
|-------------|----------------------------------|
| 075MPF      | Pin housing panel float mount    |
| 075MSP      | Socket housing flush PCB mount   |
| 075MSF      | Socket housing panel float mount |

### Socket Contacts

| Part Number | Termination | Wire |        |
|-------------|-------------|------|--------|
|             |             | AWG  | sq. mm |
| SC20-GN     | Crimp       | #20  | .5     |
| SS20-GN     | Solder cup  | #20  | .5     |
| SP20-GN     | PCB tail    | #20  | .5     |
| SC12-SN     | Crimp       | #12  | 2.5    |
| SS12-SN     | Solder cup  | #12  | 2.5    |
| SP12-SN     | PCB tail    | #12  | 2.5    |
| SC08-SN     | Crimp       | #8   | 10     |
| SS08-SN     | Solder cup  | #8   | 10     |
| SP08-SN     | PCB tail    | #8   | 10     |

\* Gold Plating

### Pin Contact

| Part Number | Termination / Pin Length | Wire    |        |
|-------------|--------------------------|---------|--------|
|             |                          | AWG     | sq. mm |
| PC20SGN     | Crimp, standard          | #20     | .5     |
| PC20FGN     | Crimp, premate           | #20     | .5     |
| PC20LGN     | Crimp, postmate          | #20     | .5     |
| PS20SGN     | Solder cup, standard     | #20     | .5     |
| PS20FGN     | Solder cup, premate      | #20     | .5     |
| PS20LGN     | Solder cup, postmate     | #20     | .5     |
| PP20SGN     | PCB tail, standard       | #20     | .5     |
| PP20FGN     | PCB tail, premate        | #20     | .5     |
| PP20LGN     | PCB tail, postmate       | #20     | .5     |
| PC12SGH     | Crimp, standard          | #12 hp* | 2.5    |
| PC12FGH     | Crimp, premate           | #12 hp* | 2.5    |
| PC12LGH     | Crimp, postmate          | #12 hp* | 2.5    |
| PS12SGH     | Solder cup, standard     | #12 hp* | 2.5    |
| PS12FGH     | Solder cup, premate      | #12 hp* | 2.5    |
| PS12LGH     | Solder cup, postmate     | #12 hp* | 2.5    |
| PP12SGH     | PCB tail, standard       | #12 hp* | 2.5    |
| PP12FGH     | PCB tail, premate        | #12 hp* | 2.5    |
| PP12LGH     | PCB tail, postmate       | #12 hp* | 2.5    |
| PC12SSN     | Crimp, standard          | #12     | 2.5    |
| PC12FSN     | Crimp, premate           | #12     | 2.5    |
| PC12LSN     | Crimp, postmate          | #12     | 2.5    |
| PS12SSN     | Solder cup, standard     | #12     | 2.5    |

### pin contact continued

| Part Number | Termination / Pin Length | Wire |        |
|-------------|--------------------------|------|--------|
|             |                          | AWG  | sq. mm |
| PS12FSN     | Solder cup, premate      | #12  | 2.5    |
| PS12LSN     | Solder cup, postmate     | #12  | 2.5    |
| PP12SSN     | PCB tail, standard       | #12  | 2.5    |
| PP12FSN     | PCB tail, premate        | #12  | 2.5    |
| PP12LSN     | PCB tail, postmate       | #12  | 2.5    |
| PC08SSN     | Crimp, standard          | #8   | 10     |
| PC08FSN     | Crimp, premate           | #8   | 10     |
| PS08SSN     | Solder cup, standard     | #8   | 10     |
| PS08FSN     | Solder cup, premate      | #8   | 10     |
| PP08SSN     | PCB tail, standard       | #8   | 10     |
| PP08FSN     | PCB tail, premate        | #8   | 10     |

### Float Mount Screws

| Part Number | Description                           |
|-------------|---------------------------------------|
| FMS6-32     | Float mount shoulder screw 6-32 UNC2A |
| FMS8-32     | Float mount shoulder screw 8-32 UNC2A |
| FMSM4-07    | Float mount shoulder screw M4 x0.7    |

HEADQUARTERS: 13 Pratts Junction Road, P.O. Box 579, Sterling, MA 01564 T:978-422-3600 F:978-422-3700

EUROPE: Rathealy Road, Fermoy Co. Cork, Ireland T:353-(0)25-32277 F:353-(0)25-32296

ASIA/PACIFIC: IDEAL Anderson Asia Pacific Ltd., Unit 922-928 Topsail Plaza, 11 On Sum Street, Shatin N.T., Hong Kong T:852-2636-0836 F:852-2635-9036

CHINA: IDEAL Anderson Technologies (Shenzhen) Ltd., Block A8 Tantou W. Ind. Par, Songgang Baoan District, Shenzhen, PR. China 51810 T: 86-755-2768-2118 F: 86-755-2768-2218

TAIWAN: IDEAL Anderson Asia Pacific Ltd., Taiwan Branch, 4F.-2, No.116, Dadun 20th St., Situn District, Taichung City 407, Taiwan (R.O.C.) T: 886-4-2310-6451 F:886-4-2310-6460

www.andersonpower.com

## WIRE/TOOLING INFORMATION

### Wire Strip Length

The following table represents Anderson Power Products recommended strip lengths for the wire.

| Contact Size | Wire Size | inches | mm   |
|--------------|-----------|--------|------|
| #20          | #24 - #20 | 0.21   | 5.3  |
| #12          | #14 - #12 | 0.27   | 6.9  |
| #8           | #10 - #8  | 0.50   | 12.7 |

### Tooling

The following table represents the crimp tooling recommended for crimp contacts. Consult APP factory for ordering information.

| Part Number | Description               | Size             |
|-------------|---------------------------|------------------|
| PM1000G1    | Four indent hand tool     | 12 AWG to 24 AWG |
| PM1001G1    | Loose crimp piece machine | 12 AWG to 24 AWG |

| Size     | Type   | MIL-STD      |
|----------|--|--------------|
| 12 to 24 | Crimp Tool   | M22520/1-01  |
|          | Turret Head and Locator                                  | M22520/1-02  |
| 8 to 10  | Crimp Tool   | M22520/23-01 |
|          | Indenter Head  | M22520/23-02 |
|          | Locator  | M22520/23-09 |
| 100G2    | Insertion & Removal Tool Kit (#8, #12, #20 AWG contacts) |              |

## DIMENSIONS

### Housing Dimensions

|        | -A-   | -B-   | -C-   | -D-   | -E-  |
|--------|-------|-------|-------|-------|------|
| inches | 1.31  | .81   | .40   | 3.31  | 3.0  |
| mm     | 33.27 | 20.45 | 10.16 | 84.07 | 76.2 |

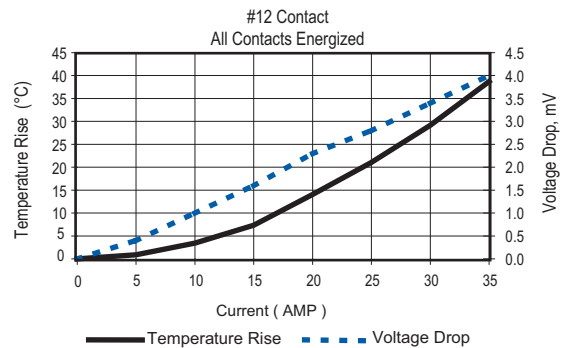
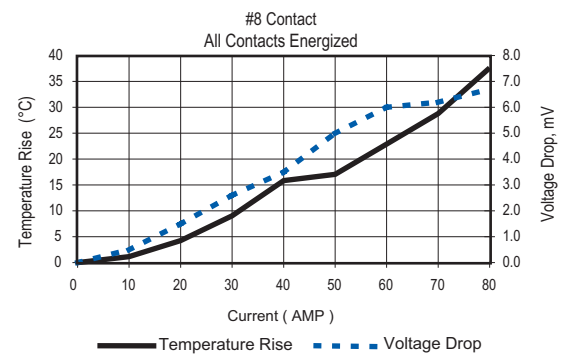
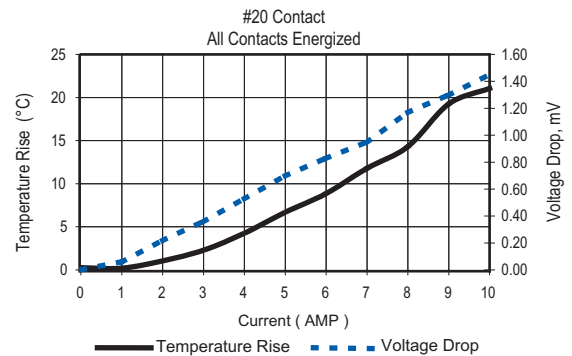
  

|        | -F-   | -G-   | -H-  | -I-  | -J-  |
|--------|-------|-------|------|------|------|
| inches | 2.53  | .49   | 1.0  | .25  | .25  |
| mm     | 64.26 | 12.45 | 25.4 | 6.35 | 6.35 |

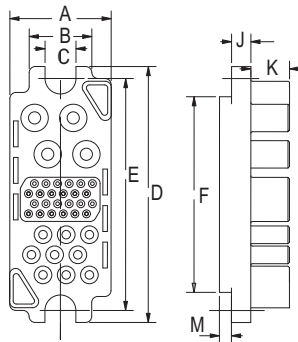
  

|        | -K-  | -L-  | -M-  |
|--------|------|------|------|
| inches | .50  | .39  | .15  |
| mm     | 12.7 | 9.91 | 3.81 |

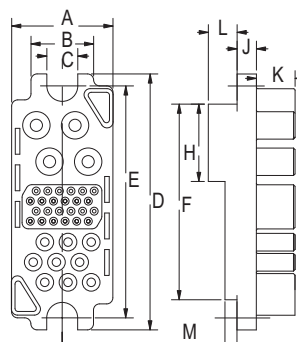
## TEMPERATURE RISE CHARTS



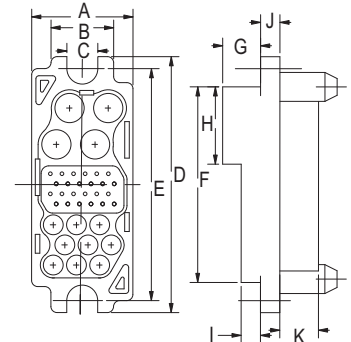
### Socket Housing (PCB)



### Socket Housing



### Pin Housing



All Data Subject To Change Without Notice

HEADQUARTERS: 13 Pratts Junction Road, P.O. Box 579, Sterling, MA 01564 T:978-422-3600 F:978-422-3700

EUROPE: Rahealy Road, Fermoy Co. Cork, Ireland T:353-(0)25-32277 F:353-(0)25-32296

ASIA/PACIFIC: IDEAL Anderson Asia Pacific Ltd., Unit 922-928 Topsail Plaza, 11 On Sum Street, Shatin N.T., Hong Kong T:852-2636-0836 F:852-2635-9036

CHINA: IDEAL Anderson Technologies (Shenzhen) Ltd., Block A8 Tantou W. Ind. Par, Songgang Baoan District, Shenzhen, P.R. China 51810 T: 86-755-2768-2118 F: 86-755-2768-2218

TAIWAN: IDEAL Anderson Asia Pacific Ltd., Taiwan Branch, 4F.-2, No.116, Dadun 20th St., Situn District, Taichung City 407, Taiwan (R.O.C.) T: 886-4-2310-6451 F:886-4-2310-6460

[www.andersonpower.com](http://www.andersonpower.com)



### Housing Part Numbers - Pin

|   | Old Elcon*<br>Part Number | New Tyco<br>Part Number | APP<br>Part Number |
|---|---------------------------|-------------------------|--------------------|
| 75 amp Power Drawer housing part number<br>Panel float mount housing for crimp contacts | 261-0006-01100            | 1648162-1               | 075MPF             |
| 35 amp Power Drawer housing part number   |                           |                         |                    |
| Pin housing #12, #20, #12   | 297-08-01100              | 1648203-1               | 035LDAP            |
| Pin housing #12, #20, #16   | 297-10-01100              | 1648205-1               | 035LDBP            |
| Pin housing #16, #20, #16   | 297-09-01100              | 1648204-1               | 035LDCP            |

### Pin Contacts

| Size | Contact Description | Mate     | Plating | Old Elcon<br>Part Number | New Tyco<br>Part Number | APP<br>Part Number |
|------|---------------------|----------|---------|--------------------------|-------------------------|--------------------|
| #20  | Crimp               | Standard | Gold    | 701-14-02109             | 1650155-1               | PC20SGN            |
| #20  | Crimp               | Premate  | Gold    | 701-64-02109             | 1650161-1               | PC20FGN            |
| #20  | Crimp               | Postmate | Gold    | 701-65-02109             | 1650162-2               | PC20LGN            |
| #20  | Solder cup          | Standard | Gold    | 707-01-02109             | N/A                     | PS20SGN            |
| #20  | Solder cup          | Premate  | Gold    | 707-38-02109             | N/A                     | PS20FGN            |
| #20  | Solder cup          | Postmate | Gold    | 707-05-02109             | N/A                     | PS20LGN            |
| #20  | PCB Tail            | Standard | Gold    | 707-06-02109             | 1650283-1               | PP20SGN            |
| #20  | PCB Tail            | Premate  | Gold    | 707-39-02109             | 1650065-1               | PP20FGN            |
| #20  | PCB Tail            | Postmate | Gold    | 707-40-02109             | 1650226-1               | PP20LGN            |
| #16  | Crimp               | Standard | Silver  | 701-13-02107             | 1650154-1               | PC16SSN            |
| #16  | Crimp               | Premate  | Silver  | 701-23-02107             | 1650160-1               | PC16FSN            |
| #16  | Crimp               | Postmate | Silver  | 701-46-02107             | 1648992-3               | PC16LSN            |
| #16  | Solder cup          | Standard | Silver  | 707-07-02107             | N/A                     | PS16SSN            |
| #16  | Solder cup          | Premate  | Silver  | 707-13-02107             | N/A                     | PS16FSN            |
| #16  | Solder cup          | Postmate | Silver  | 707-41-02107             | N/A                     | PS16LSN            |
| #16  | PCB Tail            | Standard | Silver  | 707-34-02107             | 1650063-1               | PP16SSN            |
| #16  | PCB Tail            | Premate  | Silver  | 707-42-02107             | 1650067-1               | PP16FSN            |
| #16  | PCB Tail            | Postmate | Silver  | 707-43-02107             | 1650070-1               | PP16LSN            |
| #12  | Crimp               | Standard | Silver  | 701-12-02107             | 1650153-1               | PC12SSN            |
| #12  | Crimp               | Premate  | Silver  | 701-15-02107             | 1650156-1               | PC12FSN            |
| #12  | Crimp               | Postmate | Silver  | 701-16-02107             | 1650157-1               | PC12LSN            |
| #12  | Solder cup          | Standard | Silver  | 707-14-02107             | N/A                     | PS12SSN            |
| #12  | Solder cup          | Premate  | Silver  | 707-44-02107             | N/A                     | PS12FSN            |
| #12  | Solder cup          | Postmate | Silver  | 707-45-02107             | N/A                     | PS12LSN            |
| #12  | PCB Tail            | Standard | Silver  | 707-16-02107             | 1650060-1               | PP12SSN            |
| #12  | PCB Tail            | Premate  | Silver  | 707-47-02107             | 1650074-2               | PP12LFN            |
| #12  | PCB Tail            | Postmate | Silver  | 707-46-02107             | 1650073-2               | PP12LSN            |
| #8   | Crimp               | Standard | Silver  | 701-11-02107             | 1650152-3               | PC08SSN            |
| #8   | PCB Tail            | Standard | Silver  | 709-75-02107             | 1650462-2               | PP08SSN            |

\* Elcon is a registered trademark of Tyco / Electronics

**HEADQUARTERS:** 13 Pratts Junction Road, P.O. Box 579, Sterling, MA 01564 T:978-422-3600 F:978-422-3700

**EUROPE:** Rathealy Road, Fermoy Co. Cork, Ireland T:353-(0)25-32277 F:353-(0)25-32296

**ASIA/PACIFIC:** IDEAL Anderson Asia Pacific Ltd., Unit 922-928 Topsail Plaza, 11 On Sum Street, Shatin N.T., Hong Kong T:852-2636-0836 F:852-2635-9036

**CHINA:** IDEAL Anderson Technologies (Shenzhen) Ltd., Block A8 Tantou W. Ind. Par, Songgang Baoan District, Shenzhen, PR. China 51810 T: 86-755-2768-2118 F: 86-755-2768-2218

**TAIWAN:** IDEAL Anderson Asia Pacific Ltd., Taiwan Branch, 4F.-2, No.116, Dadun 20th St., Situn District, Taichung City 407, Taiwan (R.O.C.) T: 886-4-2310-6451 F:886-4-2310-6460

[www.andersonpower.com](http://www.andersonpower.com)

## Housing Part Numbers - Socket

|  | Old Elcon*     | New Tyco    | APP         |
|--|----------------|-------------|-------------|
|  | Part Number    | Part Number | Part Number |
| 75 amp Power Drawer Housing Part Number              |                |             |             |
| Panel float mount housing for crimp contacts         | 262-0006-01100 | 1648167-1   | 075MSF      |
| Flush PCB mount housing for PCB tail/solder contacts | 262-0007-01100 | 1648168-1   | 075MSP      |
| 35 amp Power Drawer housing part number              |                |             |             |
| Socket housing #12, #20, #12                         | 298-08-01100   | 1648206-1   | 035LDAS     |
| Socket housing #12, #20, #16                         | 298-10-01100   | 1648208-1   | 035LDBS     |
| Socket housing #16, #20, #16                         | 298-09-01100   | 1648207-1   | 035LDCS     |

## Socket Contacts

| Size | Contact Description | Mate | Plating | Old Elcon    | New Tyco    | APP         |
|------|---------------------|------|---------|--------------|-------------|-------------|
|      |                     |      |         | Part Number  | Part Number | Part Number |
| #20  | Crimp               | N/A  | Gold    | 702-92-01109 | 1648325-1   | SC20-GN     |
| #20  | Solder Cup          | N/A  | Gold    | 708-66-01109 | N/A         | SS20-GN     |
| #16  | PCB Tail            | N/A  | Gold    | 708-68-01109 | 1648382-1   | SP20-GN     |
| #16  | Crimp               | N/A  | Silver  | 702-33-01107 | 1648319-1   | SC16-SN     |
| #16  | Solder Cup          | N/A  | Silver  | 708-12-01107 | N/A         | SS16-SN     |
| #12  | PCB Tail            | N/A  | Silver  | 708-70-01107 | 1648383-1   | SP16-SN     |
| #12  | Crimp               | N/A  | Silver  | 702-32-01107 | 1648318-1   | SC12-SN     |
| #12  | Hot plug crimp      | N/A  | Gold    | 708-73-01109 | 1648384-1   | SC12-GH     |
| #12  | Solder Cup          | N/A  | Silver  | 708-21-01107 | N/A         | SS12-SN     |
| #12  | Hot plug solder     | N/A  | Gold    | 708-76-01109 | N/A         | SS12-GH     |
| #12  | PCB tail            | N/A  | Silver  | 708-23-01107 | 1648374-1   | SP12-SN     |
| #8   | Hot plug PCB        | N/A  | Gold    | 708-77-01109 | 1648387-1   | SP12-GH     |
| #8   | Crimp               | N/A  | Silver  | 702-31-01107 | 1648317-1   | SC08-SN     |
| #8   | Solder cup          | N/A  | Silver  | 708-27-01107 | N/A         | SS08-SN     |
| #8   | PCB Tail            | N/A  | Silver  | 709-81-01107 | 1648400-1   | SP08-SN     |

## Float Mount Screws

| Description                           | Elcon        | APP         |
|---------------------------------------|--------------|-------------|
|                                       | Part Number  | Part Number |
| Float Mount Shoulder Screw 6-32 UNC2A | 902-84-02113 | FMS6-32     |
| Float Mount Shoulder Screw 8-32 UNC2A | 902-83-02113 | FMS8-32     |
| Float Mount Shoulder Screw M4 x0.7    | 903-19-02113 | FMSM4-07    |

\* Elcon is a registered trademark of Tyco / Electronics

### PowerMod® Connector Part Number Plan

| Series   | Rows | # Poles | Gender | Contact | Latch | Mounting | Customized Connector  |
|--|------|---------|--------|---------|-------|----------|---|
| P  | M    | 1       | 0 3    | M       | B A   | L C H    | - X X X   |
| 1  |      |         |        |         |       |          | Consult factory for options   |
| 2  |      |         |        |         |       |          |   |
| 3  |      |         |        |         |       |          |   |
| 1 Row - 03, 04, 06, 08<br>2 Row - 06, 08, 12, 16<br>3 Row - 09, 12, 18, 24, 30<br>M-Male<br>F-Female<br>OO - None (Crimp contacts ordered separately)<br>BA - Straight PCB Solder Tail Length - RoHS compliant (.146)<br>RA - R/A PCB Solder Tail Length - RoHS compliant (.146) |      |         |        |         |       |          | OO - None<br>SB - R/A PCB Snap Bracket<br>HB - R/A PCB Bracket with Hole<br>ST - Self-tapping screws for straight PCB mount<br>SP - Push in Pins for straight PCM Mount<br>CH - With clam-shell hood<br>PC - Panel Clip<br>MC - Mounting Clip<br>SC - Screws for 1.6mm panel mount<br>BM - Blind Mate Panel<br>L - Connector with latch<br>O - No Latch |

### PowerMod® Crimp Contact Part Number Plan

| Series   | Size | Gender | Wire Size | Length | Plating |
|--|------|--------|-----------|--------|---------|
| P  | M    | 1      | 6         | S      | 3       |
| 16   |      |        |           |        |         |
| P for pin<br>S for socket<br>12 - 12 AWG<br>1416 - 14 to 16 AWG<br>1620 - 16 to 20 AWG<br>2024 - 20 to 24 AWG<br>S - Standard (used for all socket contacts and 7.7mm pins)<br>A - Pre-mate 9.3mm pin<br>B - Pre-mate 8.5mm pin<br>C - Pre-mate 6.4mm pin<br>30 - Sockets: Sn / Pb (non-RoHS complaint)<br>30 - Pin: Au / Ni (RoHS compliant)<br>32 - Socket: Sn / Ni (RoHS complaint) |      |        |           |        |         |



### FEATURES

- High performance #16 contact**  
*Rated to 30 amps per UL 1977 and IEC512-3 test 5a*
- Mechanical polarized housings**  
*Housings only mate one-way, ensuring proper circuit mating*
- PCB, panel or cable mounting**  
*Product flexibility for a wide variety of system packaging*
- Optional positive latches and back shells**  
*Provides additional safety and security*
- Optional sequential contact mating**  
*Up to 4 pin contact lengths can be specified to create Make First / Break Last and Make Last / Break First circuits*

### PRODUCT RANGE

|   |                 |
|---|-----------------|
| Current Rating (Amperes)                | 30              |
| Voltage Ratings (Volts AC/DC)           | 600             |
| Contact Wire Range (AWG)                | #24 to #12      |
| (mm <sup>2</sup> ) *                    | 0.25 to 4.0     |
| Number of Poles                         | 3 to 30         |
| AVG Contact Resistance (micro-ohms)     | 3 milliohms     |
| Dielectric Withstanding Voltage         | 2200 V          |
| Durability                              | To 1,000 cycles |
| Operating Temperature Range °C          | -55° to 180°    |
| °F                                      | -67° to 356°    |
| Flammability Rating of Housing Material | UL94 V-0        |





\* Stranding, IEC class 5 or lower

### PRODUCT INFORMATION

The Anderson Power Product's PowerMod® connector family was developed to provide a high density power connector system with maximum design flexibility.

The product family is available in 13 sizes:

- Single row 3, 4, 6 and 8 circuit connector
- Two row 6, 8, 12 and 16 circuit connectors
- Three row 9, 12, 18, 24 and 30 circuit connectors

The PowerMod® connector family can be configured for almost any application;

- Male PCB solder mount straight and right angle
- Female PCB solder mount straight and right angle
- Male cable to cable straight
- Female cable to cable straight

The product family also offers optional positive latches, back shells and panel mounting clips.

The PowerMod® connector family offers even more application flexibility with up to four sequential pin mating options for Mate First / Break Last and Make Last / Break First circuits.

All Data Subject To Change Without Notice

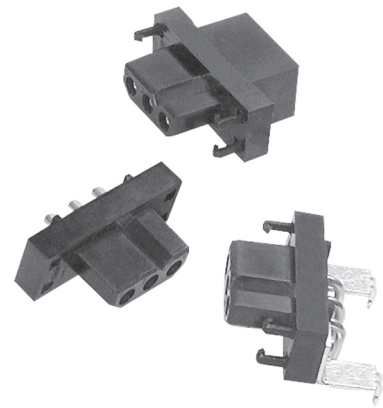
The PowerMod® connector family offers minimum size and high power. The high performance contacts and insulator are rated for 30 amps continuous. Applications requiring lower operating temperatures can be de-rated using our current-temperature chart.

The one row female PowerMod connectors are offered in 3, 4, 6 and 8 circuit sizes. The connectors are available with straight crimp, straight PCB or right angle PCB contacts.

APP connectors are manufactured using the finest materials and world-class manufacturing processes. They embody the highest quality in the industry and meet all applicable industry standards.

### FEATURES

- **High performance contacts**  
*Rated to 30 amps per IEC 512-3*
- **Mechanically polarized housings**  
*Only mate one-way, ensuring proper mating*
- **High reliability positive retention latches**  
*Are made from stainless steel to provide optimum performance*
- **PCB, panel or cable mounting**  
*A wide variety of contact styles with optional mounting brackets, panel clips and back-shell hoods provide broad design flexibility*



### SPECIFICATIONS

#### Electrical

|                                   |                    |
|-----------------------------------|--------------------|
| Current rating                    | 30 Amps            |
| IEC 512-3, UL 1977                |                    |
| Voltage Rating UL & CSA           | 600 Volts (AC/DC)  |
| Creepage/Clearance Distance       | 3.2 mm (.125") Min |
| Contact Resistance per IEC 512-2  | 3 milliohms        |
| Dielectric Strength per IEC 512-2 | 2200 V             |
| Contact Wire Range (AWG)          | #24 to #12         |
| (mm <sup>2</sup> ) *              | 0.25 to 4.0        |
| Operating Temperature Range °C    | -55° to 180°       |
| °F                                | -67° to 356°       |

#### Mechanical

|                                      |                          |
|--------------------------------------|--------------------------|
| Connect/Disconnect Cycles            | 1000 cycles              |
| No Load per IEC 512-5                | 10 oz (3N) avg.          |
| Mating/Unmating Force per IEC 512-13 | 18 lb (80N) Crimp        |
| Contact Retention per IEC 512-8      | 9 lb (40N) PCB Connector |

#### Materials

|                 |  |
|-----------------|--|
| Insulator       | PPS UL94 V-0, material group IIIa          |
| Socket Body     | Copper alloy, 200 μ inch Sn Bright over Ni |
| Socket Contact  | BeCu, 30 μ inch Au over Ni                 |
| Retention Clips | Stainless steel                            |
| Hoods           | PBT UL94 V-0                               |



\* Stranding, IEC class 5 or lower

### ORDERING INFORMATION

#### PowerMod Part Number Plan - One Row Female

Series Rows # Poles Gender Contact Latch Mounting Customized Connector

|   |   |   |   |   |   |   |   |   |   |   |   |   |   |   |
|---|---|---|---|---|---|---|---|---|---|---|---|---|---|---|
| P | M | 1 | 0 | 3 | F | B | A | L | C | H | - | X | X | X |
|---|---|---|---|---|---|---|---|---|---|---|---|---|---|---|

1 Consult factory for options

03, 04, 06, 08 Poles

F - Female

OO - None (Crimp contacts ordered separately)  
BA - Straight PCB Solder Standard Length-RoHS  
RA - R/A PCB Solder Standard Length-RoHS

OO - None  
SB - R/A PCB Snap Bracket  
HB - R/A PCB Bracket with Hole  
ST - Self-tapping screws for straight PCB mount  
SP - Push in fastener for straight PCB mount  
CH - With clam-shell hood  
PC - Panel Clip  
MC - Mounting Clip  
SC - Screw for 1.6mm panel mount

L - Connector with latch (standard for contact type OO)  
O - No latch

#### Crimp Contacts

| Part Number  | Description      |
|--------------|------------------|
| PM16S2024S32 | Socket AWG 24-20 |
| PM16S1620S32 | Socket AWG 20-16 |
| PM16S1416S32 | Socket AWG 16-14 |
| PM16S12S32   | Socket AWG 12    |

#### Tooling

| Part Number | Description                                |
|-------------|--|
| PM1000G1    | Four indent hand tool                      |
| PM1001G1    | Loose crimp piece machine - semi automatic |
| PM1002G1    | Contact insertion tool                     |
| PM1003G1    | Contact extraction tool                    |

HEADQUARTERS: 13 Pratts Junction Road, P.O. Box 579, Sterling, MA 01564 T:978-422-3600 F:978-422-3700

EUROPE: Rathealy Road, Fermoy Co. Cork, Ireland T:353-(0)25-32277 F:353-(0)25-32296

ASIA/PACIFIC: IDEAL Anderson Asia Pacific Ltd., Unit 922-928 Topsail Plaza, 11 On Sum Street, Shatin N.T., Hong Kong T:852-2636-0836 F:852-2635-9036

CHINA: IDEAL Anderson Technologies (Shenzhen) Ltd., Block A8 Tantou W. Ind. Par, Songgang Baoan District, Shenzhen, PR. China 51810 T: 86-755-2768-2118 F: 86-755-2768-2218

TAIWAN: IDEAL Anderson Asia Pacific Ltd., Taiwan Branch, 4F.-2, No.116, Dadun 20th St., Situn District, Taichung City 407, Taiwan (R.O.C.) T: 886-4-2310-6451 F:886-4-2310-6460

[www.andersonpower.com](http://www.andersonpower.com)

## ORDERING INFORMATION

### Panel Mount With Screws

| Part Number | Description                |
|-------------|----------------------------|
| PM103FOOLSC | 1x3 FEMALE Cable Connector |
| PM104FOOLSC | 1x4 FEMALE Cable Connector |
| PM106FOOLSC | 1x6 FEMALE Cable Connector |
| PM108FOOLSC | 1x8 FEMALE Cable Connector |

### Panel Mount With Mounting Clip

| Part Number | Description                |
|-------------|----------------------------|
| PM103FOOLMC | 1x3 FEMALE Cable Connector |
| PM104FOOLMC | 1x4 FEMALE Cable Connector |
| PM106FOOLMC | 1x6 FEMALE Cable Connector |
| PM108FOOLMC | 1x8 FEMALE Cable Connector |

### With Snap-in Panel Clip

| Part Number | Description                |
|-------------|----------------------------|
| PM103FOOLPC | 1x3 FEMALE Cable Connector |
| PM104FOOLPC | 1x4 FEMALE Cable Connector |
| PM106FOOLPC | 1x6 FEMALE Cable Connector |
| PM108FOOLPC | 1x8 FEMALE Cable Connector |

### With Clam Shell Hood & Strain Relief

| Part Number | Description                |
|-------------|----------------------------|
| PM103FOOLCH | 1x3 FEMALE Cable Connector |
| PM104FOOLCH | 1x4 FEMALE Cable Connector |
| PM106FOOLCH | 1x6 FEMALE Cable Connector |
| PM108FOOLCH | 1x8 FEMALE Cable Connector |

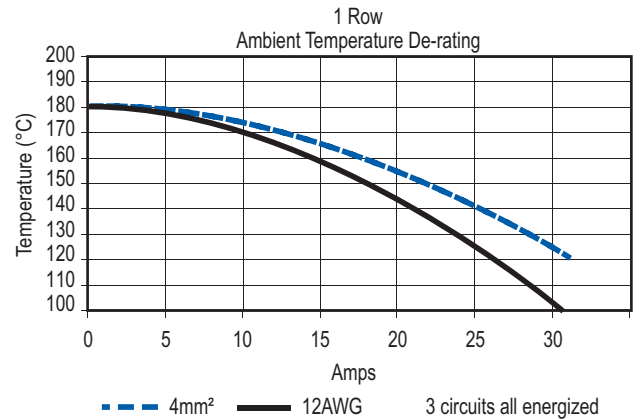
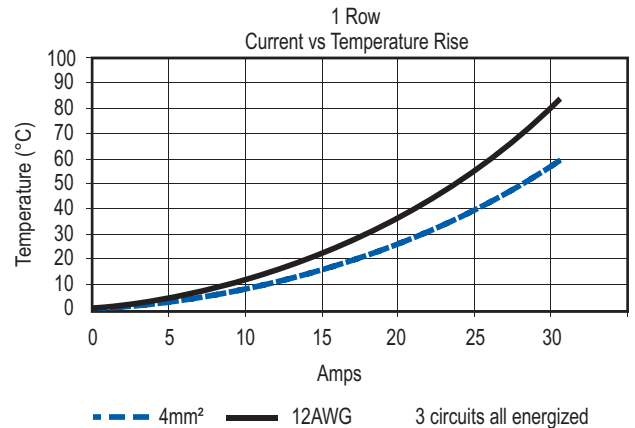
## Tooling

| Part Number | Mil-Standard    | Description                              | Wire Size AWG (sq. mm) |
|-------------|-----------------|--|------------------------|
| PM1000G1    | Consult Factory | Four Indent Hand Tool                    | 24/12 (0.25/4.0)       |
| TM0001      | M22520/1-01     | AF8 hand tool                            | 24/12 (0.25/4.0)       |
| TP0001      | Consult Factory | WA27F pneumatic crimp tool               | 24/12 (0.25/4.0)       |
| TL0001*     | Consult Factory | Turret & locator for TM0001 & TP0001     | 24/12 (0.25/4.0)       |
| TL0002**    | Consult Factory | Turret & locator for TM0001 & TP0001     | 24/12 (0.25/4.0)       |
| TL0004      | M22520/1-03     | Turret & locator for TM0001 & TP0001     | 24/12 (0.25/4.0)       |
| PM1001G1    | Consult Factory | Semi automatic loose piece crimp machine | 24/12 (0.25/4.0)       |

\* Turret head & locator for PowerMod pin contacts only

\*\* Turret head & locator for PowerMod socket contacts only

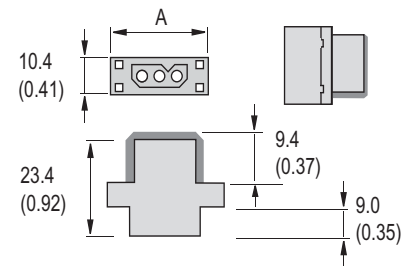
## TEMPERATURE CHARTS



## DIMENSIONS - mm(in.)

### Cable Connector

| ROWS CONTACTS | -A-  |      |
|---------------|------|------|
|               | mm   | in.  |
| 1 - 03        | 28.5 | 1.12 |
| 1 - 04        | 33.5 | 1.32 |
| 1 - 06        | 43.5 | 1.71 |
| 1 - 08        | 53.5 | 2.11 |

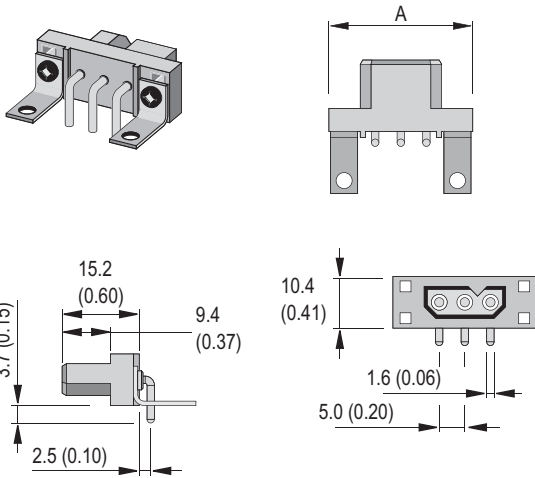


See accessory section for panel clip and mounting clip cut-out dimensions.

# One Row Right Angle PCB (female)

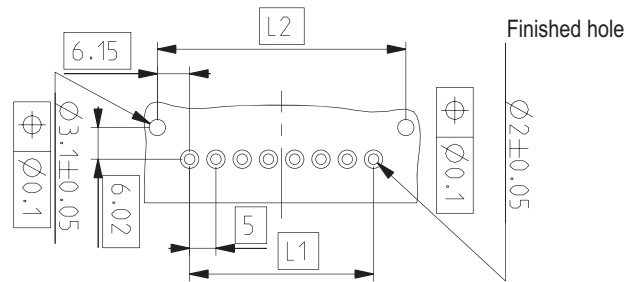
## DIMENSIONS - mm(in.)

### 1 Row - PCB Right Angle Connector



### 1 Row - PCB Hole Layout For Right Angle Connector

| ROWS CONTACTS | A    |      | L1 |      | L2   |      |
|---------------|------|------|----|------|------|------|
|               | mm   | in.  | mm | in.  | mm   | in.  |
| 1 - 03        | 28.5 | 1.12 | 10 | 0.39 | 22.3 | 0.88 |
| 1 - 04        | 33.5 | 1.32 | 15 | 0.59 | 27.3 | 1.07 |
| 1 - 06        | 43.5 | 1.71 | 25 | 0.98 | 37.3 | 1.47 |
| 1 - 08        | 53.5 | 2.11 | 35 | 1.38 | 47.3 | 1.86 |



## ORDERING INFORMATION

### With Latch

| Part Number | Description                       |
|-------------|-----------------------------------|
| PM103FRALOO | 1x3 FEMALE Right Angle PCB Solder |
| PM104FRALOO | 1x4 FEMALE Right Angle PCB Solder |
| PM106FRALOO | 1x6 FEMALE Right Angle PCB Solder |
| PM108FRALOO | 1x8 FEMALE Right Angle PCB Solder |

### No Latch

| Part Number | Description                       |
|-------------|-----------------------------------|
| PM103FRAOOO | 1x3 FEMALE Right Angle PCB Solder |
| PM104FRAOOO | 1x4 FEMALE Right Angle PCB Solder |
| PM106FRAOOO | 1x6 FEMALE Right Angle PCB Solder |
| PM108FRAOOO | 1x8 FEMALE Right Angle PCB Solder |

### Snap Bracket & Latch

| Part Number | Description                       |
|-------------|-----------------------------------|
| PM103FRALSB | 1x3 FEMALE Right Angle PCB Solder |
| PM104FRALSB | 1x4 FEMALE Right Angle PCB Solder |
| PM106FRALSB | 1x6 FEMALE Right Angle PCB Solder |
| PM108FRALSB | 1x8 FEMALE Right Angle PCB Solder |

### Snap Bracket & No Latch

| Part Number | Description                       |
|-------------|-----------------------------------|
| PM103FRAOSB | 1x3 FEMALE Right Angle PCB Solder |
| PM104FRAOSB | 1x4 FEMALE Right Angle PCB Solder |
| PM106FRAOSB | 1x6 FEMALE Right Angle PCB Solder |
| PM108FRAOSB | 1x8 FEMALE Right Angle PCB Solder |

### Bracket With Hole & Latch

| Part Number | Description                       |
|-------------|-----------------------------------|
| PM103FRALHB | 1x3 FEMALE Right Angle PCB Solder |
| PM104FRALHB | 1x4 FEMALE Right Angle PCB Solder |
| PM106FRALHB | 1x6 FEMALE Right Angle PCB Solder |
| PM108FRALHB | 1x8 FEMALE Right Angle PCB Solder |

### Bracket With Hole & No Latch

| Part Number | Description                       |
|-------------|-----------------------------------|
| PM103FRAOHB | 1x3 FEMALE Right Angle PCB Solder |
| PM104FRAOHB | 1x4 FEMALE Right Angle PCB Solder |
| PM106FRAOHB | 1x6 FEMALE Right Angle PCB Solder |
| PM108FRAOHB | 1x8 FEMALE Right Angle PCB Solder |

PCB contacts and mounting accessories are designed for a board thickness of 1.60mm (.063) with a contact protrusion of 2.10 (.083). Other contact lengths are available upon request.

HEADQUARTERS: 13 Pratts Junction Road, P.O. Box 579, Sterling, MA 01564 T:978-422-3600 F:978-422-3700

EUROPE: Rahealy Road, Fermoy Co. Cork, Ireland T:353-(0)25-32277 F:353-(0)25-32296

ASIA/PACIFIC: IDEAL Anderson Asia Pacific Ltd., Unit 922-928 Topsail Plaza, 11 On Sum Street, Shatin N.T., Hong Kong T:852-2636-0836 F:852-2635-9036

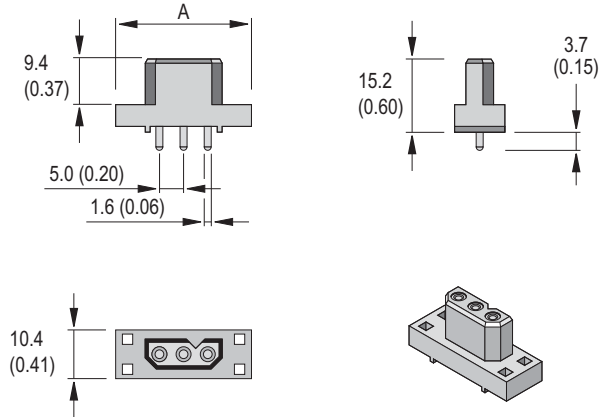
CHINA: IDEAL Anderson Technologies (Shenzhen) Ltd., Block A8 Tantou W. Ind. Par, Songgang Baoan District, Shenzhen, P.R. China 51810 T: 86-755-2768-2118 F: 86-755-2768-2218

TAIWAN: IDEAL Anderson Asia Pacific Ltd., Taiwan Branch, 4F.-2, No.116, Dadun 20th St., Situn District, Taichung City 407, Taiwan (R.O.C.) T: 886-4-2310-6451 F:886-4-2310-6460

[www.andersonpower.com](http://www.andersonpower.com)

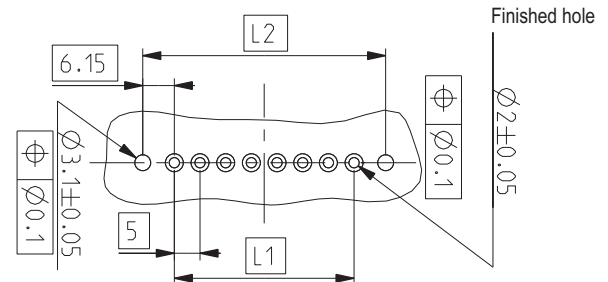
## DIMENSIONS - mm(in.)

### 1 Row - PCB Straight Solder Connector



### 1 Row - PCB Hole Layout For Straight Solder Connector

| ROWS CONTACTS | A    |      | L1 |      | L2   |      |
|---------------|------|------|----|------|------|------|
|               | mm   | in.  | mm | in.  | mm   | in.  |
| 1 - 03        | 28.5 | 1.12 | 10 | 0.39 | 22.3 | 0.88 |
| 1 - 04        | 33.5 | 1.32 | 15 | 0.59 | 27.3 | 1.07 |
| 1 - 06        | 43.5 | 1.71 | 25 | 0.98 | 37.3 | 1.47 |
| 1 - 08        | 53.5 | 2.11 | 35 | 1.38 | 47.3 | 1.86 |



## ORDERING INFORMATION

### With Latch

| Part Number | Description                    |
|-------------|--------------------------------|
| PM103FBALOO | 1x3 FEMALE Straight PCB Solder |
| PM104FBALOO | 1x4 FEMALE Straight PCB Solder |
| PM106FBALOO | 1x6 FEMALE Straight PCB Solder |
| PM108FBALOO | 1x8 FEMALE Straight PCB Solder |

### Push On PCB Fastener & Latch

| Part Number | Description                    |
|-------------|--------------------------------|
| PM103FBALSP | 1x3 FEMALE Straight PCB Solder |
| PM104FBALSP | 1x4 FEMALE Straight PCB Solder |
| PM106FBALSP | 1x6 FEMALE Straight PCB Solder |
| PM108FBALSP | 1x8 FEMALE Straight PCB Solder |

### Self-tapping Screws For PCB Mount & Latch

| Part Number | Description                    |
|-------------|--------------------------------|
| PM103FBALST | 1x3 FEMALE Straight PCB Solder |
| PM104FBALST | 1x4 FEMALE Straight PCB Solder |
| PM106FBALST | 1x6 FEMALE Straight PCB Solder |
| PM108FBALST | 1x8 FEMALE Straight PCB Solder |

### No Latch

| Part Number | Description                    |
|-------------|--------------------------------|
| PM103FBAOOO | 1x3 FEMALE Straight PCB Solder |
| PM104FBAOOO | 1x4 FEMALE Straight PCB Solder |
| PM106FBAOOO | 1x6 FEMALE Straight PCB Solder |
| PM108FBAOOO | 1x8 FEMALE Straight PCB Solder |

### Push On PCB Fastener & No Latch

| Part Number | Description                    |
|-------------|--------------------------------|
| PM103FBAOSP | 1x3 FEMALE Straight PCB Solder |
| PM104FBAOSP | 1x4 FEMALE Straight PCB Solder |
| PM106FBAOSP | 1x6 FEMALE Straight PCB Solder |
| PM108FBAOSP | 1x8 FEMALE Straight PCB Solder |

### Self-tapping Screws For PCB Mount & No Latch

| Part Number | Description                    |
|-------------|--------------------------------|
| PM103FBAOST | 1x3 FEMALE Straight PCB Solder |
| PM104FBAOST | 1x4 FEMALE Straight PCB Solder |
| PM106FBAOST | 1x6 FEMALE Straight PCB Solder |
| PM108FBAOST | 1x8 FEMALE Straight PCB Solder |

PCB contacts and mounting accessories are designed for a board thickness of 1.60mm (.063) with a contact protrusion of 2.10 (.083). Other contact lengths are available upon request.

All Data Subject To Change Without Notice

HEADQUARTERS: 13 Pratts Junction Road, P.O. Box 579, Sterling, MA 01564 T:978-422-3600 F:978-422-3700

EUROPE: Rathealy Road, Fermoy Co. Cork, Ireland T:353-(0)25-32277 F:353-(0)25-32296

ASIA/PACIFIC: IDEAL Anderson Asia Pacific Ltd., Unit 922-928 Topsail Plaza, 11 On Sum Street, Shatin N.T., Hong Kong T:852-2636-0836 F:852-2635-9036

CHINA: IDEAL Anderson Technologies (Shenzhen) Ltd., Block A8 Tantou W. Ind. Par, Songgang Baoan District, Shenzhen, P.R. China 51810 T: 86-755-2768-2118 F: 86-755-2768-2218

TAIWAN: IDEAL Anderson Asia Pacific Ltd., Taiwan Branch, 4F.-2, No.116, Dadun 20th St., Situn District, Taichung City 407, Taiwan (R.O.C.) T: 886-4-2310-6451 F:886-4-2310-6460

[www.andersonpower.com](http://www.andersonpower.com)



The PowerMod® connector family offers minimum size and high power. The high performance contacts and insulator are rated for 30 amps continuous. Applications requiring lower operating temperatures can be de-rated using our current-temperature chart.

The one row male PowerMod connectors are offered in 3, 4, 6 and 8 circuit sizes. The connectors are available with straight crimp, straight PCB or right angle PCB contacts.

APP connectors are manufactured using the finest materials and world-class manufacturing processes. They embody the highest quality in the industry and meet all applicable industry standards.

### FEATURES

- **Mechanically polarized housings**

*Only mate one-way, ensuring proper mating*

- **High reliability positive retention latches**

*Are made from stainless steel to provide optimum performance*

- **PCB, panel or cable mounting**

*A wide variety of contact styles with optional mounting brackets, panel clips and back-shell hoods provide broad design flexibility*

- **Optional sequential contact mating**

*4 pin contact lengths can be custom specified for make-first/break-last or make-last/break-first circuits*



### SPECIFICATIONS

#### Electrical

|                                   |                    |
|-----------------------------------|--------------------|
| Current rating                    | 30 Amps            |
| IEC 512-3, UL 1977                |                    |
| Voltage Rating UL & CSA           | 600 Volts (AC/DC)  |
| Creepage/Clearance Distance       | 3.2 mm (.125") Min |
| Contact Resistance per IEC 512-2  | 3 milliohms        |
| Dielectric Strength per IEC 512-2 | 2200 V             |
| Contact Wire Range (AWG)          | #24 to #12         |
| (mm <sup>2</sup> ) *              | 0.25 to 4.0        |
| Operating Temperature Range °C    | -55° to 180°       |
| °F                                | -67° to 356°       |

#### Mechanical

|                                      |                          |
|--------------------------------------|--------------------------|
| Connect/Disconnect Cycles            | 1000 cycles              |
| No Load per IEC 512-5                |                          |
| Mating/Unmating Force per IEC 512-13 | 10 oz (3N) avg.          |
| Contact Retention per IEC 512-8      | 18 lb (80N) Crimp        |
|                                      | 9 lb (40N) PCB Connector |

#### Materials

|                            |                                    |
|----------------------------|------------------------------------|
| Insulator                  | PPS UL94 V-0, material group IIIa  |
| Pins                       | Copper alloy, 10 μ inch Au over Ni |
| Tail Solder (PCB contacts) | Sn/Ag/Cu (lead free)               |
| Retention Clips            | Stainless steel                    |
| Hoods                      | PBT UL94 V-0                       |



US File No. E26226

\* Stranding, IEC class 5 or lower

### ORDERING INFORMATION

#### PowerMod Part Number Plan - One Row Male

| Series | Rows | # Poles | Gender | Contact | Latch | Mounting | Customized Connector |   |   |   |   |   |   |   |
|--------|------|---------|--------|---------|-------|----------|----------------------|---|---|---|---|---|---|---|
| P      | M    | 1       | 0      | 3       | M     | B        | A                    | L | C   | H | - | X | X | X |
| 1      |      |         |        |         |       |          |                      |   | Consult factory for options                             |   |   |   |   |   |
|        |      |         |        |         |       |          |                      |   | OO - None   |   |   |   |   |   |
|        |      |         |        |         |       |          |                      |   | SB - R/A PCB Snap Bracket                               |   |   |   |   |   |
|        |      |         |        |         |       |          |                      |   | HB - R/A PCB Bracket with Hole                          |   |   |   |   |   |
|        |      |         |        |         |       |          |                      |   | ST - Self-tapping screws for straight PCB mount         |   |   |   |   |   |
|        |      |         |        |         |       |          |                      |   | SP - Push in fastener for straight PCB mount            |   |   |   |   |   |
|        |      |         |        |         |       |          |                      |   | CH - With clam-shell hood                               |   |   |   |   |   |
|        |      |         |        |         |       |          |                      |   | PC - Panel Clip   |   |   |   |   |   |
|        |      |         |        |         |       |          |                      |   | MC - Mounting Clip                                      |   |   |   |   |   |
|        |      |         |        |         |       |          |                      |   | SC - Screw for 1.6mm panel mount                        |   |   |   |   |   |
|        |      |         |        |         |       |          |                      |   | L - Connector with latch (standard for contact type OO) |   |   |   |   |   |
|        |      |         |        |         |       |          |                      |   | O - No latch  |   |   |   |   |   |

#### Crimp Contacts

| Part Number           | Description |
|-----------------------|-------------|
| Standard Length 7.7mm |             |
| PM16P2024S30          | AWG 24-20   |
| PM16P1620S30          | AWG 20-16   |
| PM16P1416S30          | AWG 16-14   |
| PM16P12S30            | AWG 12      |
| Pre-Mate 9.3mm        |             |
| PM16P2024A30          | AWG 24-20   |
| PM16P1620A30          | AWG 20-16   |
| PM16P1416A30          | AWG 16-14   |
| PM16P12A30            | AWG 12      |
| Pre-Mate 8.5mm        |             |
| PM16P2024B30          | AWG 24-20   |
| PM16P1620B30          | AWG 20-16   |
| PM16P1416B30          | AWG 16-14   |
| PM16P12B30            | AWG 12      |
| Post-Mate 6.6mm       |             |
| PM16P2024C30          | AWG 24-20   |
| PM16P1620C30          | AWG 20-16   |
| PM16P1416C30          | AWG 16-14   |
| PM16P12C30            | AWG 12      |

#### Tooling

| Part Number | Description                           | Part Number | Description             |
|-------------|---------------------------------------|-------------|-------------------------|
| PM1000G1    | Four indent hand tool                 | PM1002G1    | Contact insertion tool  |
| PM1001G1    | Loose crimp piece machine (semi/auto) | PM1003G1    | Contact extraction tool |

HEADQUARTERS: 13 Pratts Junction Road, P.O. Box 579, Sterling, MA 01564 T:978-422-3600 F:978-422-3700

EUROPE: Rathealy Road, Fermoy Co. Cork, Ireland T:353-(0)25-32277 F:353-(0)25-32296

ASIA/PACIFIC: IDEAL Anderson Asia Pacific Ltd., Unit 922-928 Topsail Plaza, 11 On Sum Street, Shatin N.T., Hong Kong T:852-2636-0836 F:852-2635-9036

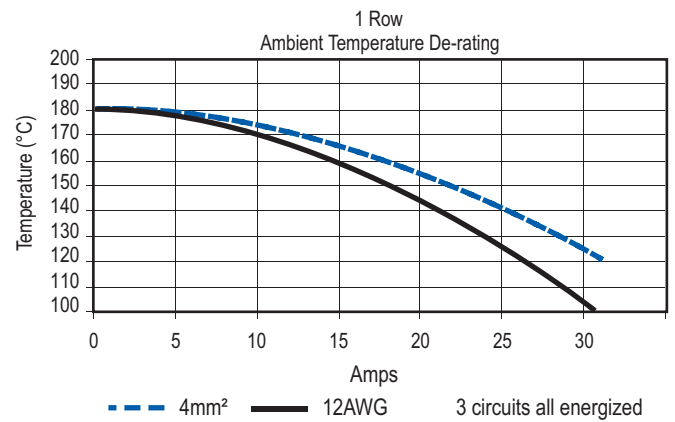
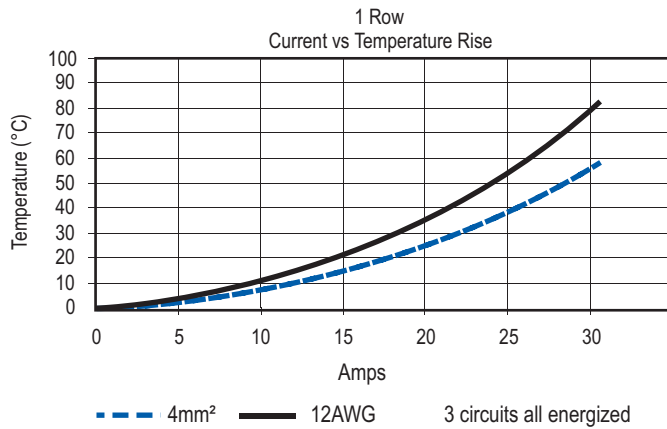
CHINA: IDEAL Anderson Technologies (Shenzhen) Ltd., Block A8 Tantou W. Ind. Par, Songgang Baoan District, Shenzhen, PR. China 51810 T: 86-755-2768-2118 F: 86-755-2768-2218

TAIWAN: IDEAL Anderson Asia Pacific Ltd., Taiwan Branch, 4F.-2, No.116, Dadun 20th St., Situn District, Taichung City 407, Taiwan (R.O.C.) T: 886-4-2310-6451 F:886-4-2310-6460

[www.andersonpower.com](http://www.andersonpower.com)

# One Row Cable Connector (male)

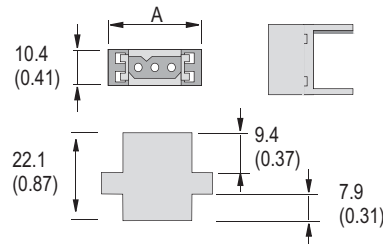
## TEMPERATURE CHARTS



## DIMENSIONS - mm(in.)

### Cable Connector

| ROWS<br>CONTACTS | -A-  |      |
|------------------|------|------|
|                  | mm   | in.  |
| 1 - 03           | 28.5 | 1.12 |
| 1 - 04           | 33.5 | 1.32 |
| 1 - 06           | 43.5 | 1.71 |
| 1 - 08           | 53.5 | 2.11 |



See accessory section for panel clip and mounting clip cut-out dimensions.

## ORDERING INFORMATION

### Cable Connector

| Part Number | Description             |
|-------------|-------------------------|
| PM103MOOLOO | 1x3 PIN Cable Connector |
| PM104MOOLOO | 1x4 PIN Cable Connector |
| PM106MOOLOO | 1x6 PIN Cable Connector |
| PM108MOOLOO | 1x8 PIN Cable Connector |

### Panel Mount With Mounting Clip

| Part Number | Description             |
|-------------|-------------------------|
| PM103MOOLMC | 1x3 PIN Cable Connector |
| PM104MOOLMC | 1x4 PIN Cable Connector |
| PM106MOOLMC | 1x6 PIN Cable Connector |
| PM108MOOLMC | 1x8 PIN Cable Connector |

### With Clam Shell Hood & Strain Relief

| Part Number | Description             |
|-------------|-------------------------|
| PM103MOOLCH | 1x3 PIN Cable Connector |
| PM104MOOLCH | 1x4 PIN Cable Connector |
| PM106MOOLCH | 1x6 PIN Cable Connector |
| PM108MOOLCH | 1x8 PIN Cable Connector |

### Panel Mount With Screws

| Part Number | Description             |
|-------------|-------------------------|
| PM103MOOLSC | 1x3 PIN Cable Connector |
| PM104MOOLSC | 1x4 PIN Cable Connector |
| PM106MOOLSC | 1x6 PIN Cable Connector |
| PM108MOOLSC | 1x8 PIN Cable Connector |

### With Snap-in Panel Clip

| Part Number | Description             |
|-------------|-------------------------|
| PM103MOOLPC | 1x3 PIN Cable Connector |
| PM104MOOLPC | 1x4 PIN Cable Connector |
| PM106MOOLPC | 1x6 PIN Cable Connector |
| PM108MOOLPC | 1x8 PIN Cable Connector |

HEADQUARTERS: 13 Pratts Junction Road, P.O. Box 579, Sterling, MA 01564 T:978-422-3600 F:978-422-3700

EUROPE: Rathealy Road, Fermoy Co. Cork, Ireland T:353-(0)25-32277 F:353-(0)25-32296

ASIA/PACIFIC: IDEAL Anderson Asia Pacific Ltd., Unit 922-928 Topsail Plaza, 11 On Sum Street, Shatin N.T., Hong Kong T:852-2636-0836 F:852-2635-9036

CHINA: IDEAL Anderson Technologies (Shenzhen) Ltd., Block A8 Tantou W. Ind. Par, Songgang Baoan District, Shenzhen, P.R. China 51810 T: 86-755-2768-2118 F: 86-755-2768-2218

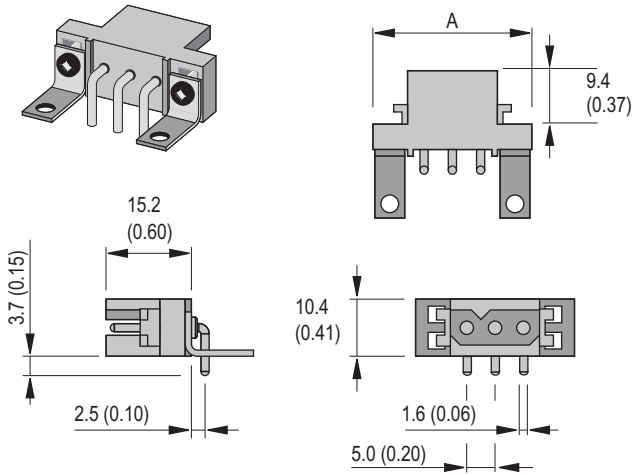
TAIWAN: IDEAL Anderson Asia Pacific Ltd., Taiwan Branch, 4F.-2, No.116, Dadun 20th St., Situn District, Taichung City 407, Taiwan (R.O.C.) T: 886-4-2310-6451 F:886-4-2310-6460

[www.andersonpower.com](http://www.andersonpower.com)

# One Row Right Angle PCB (male)

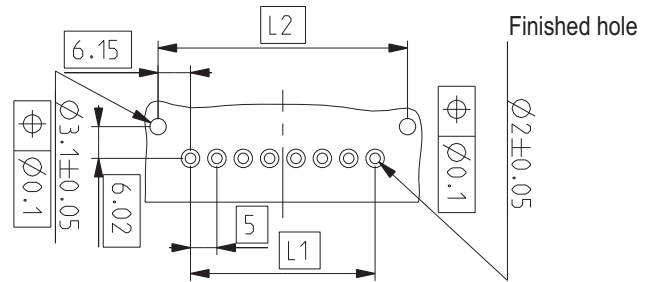
## DIMENSIONS - mm(in.)

### 1 Row - PCB Right Angle Connector



### 1 Row - PCB Hole Layout For Right Angle Connector

| ROWS CONTACTS | A    |      | L1 |      | L2   |      |
|---------------|------|------|----|------|------|------|
|               | mm   | in.  | mm | in.  | mm   | in.  |
| 1 - 03        | 28.5 | 1.12 | 10 | 0.39 | 22.3 | 0.88 |
| 1 - 04        | 33.5 | 1.32 | 15 | 0.59 | 27.3 | 1.07 |
| 1 - 06        | 43.5 | 1.71 | 25 | 0.98 | 37.3 | 1.47 |
| 1 - 08        | 53.5 | 2.11 | 35 | 1.38 | 47.3 | 1.86 |



## ORDERING INFORMATION

### With Latch

| Part Number | Description                    |
|-------------|--------------------------------|
| PM103MRALOO | 1x3 PIN Right Angle PCB Solder |
| PM104MRALOO | 1x4 PIN Right Angle PCB Solder |
| PM106MRALOO | 1x6 PIN Right Angle PCB Solder |
| PM108MRALOO | 1x8 PIN Right Angle PCB Solder |

### No Latch

| Part Number | Description                    |
|-------------|--------------------------------|
| PM103MRAOOO | 1x3 PIN Right Angle PCB Solder |
| PM104MRAOOO | 1x4 PIN Right Angle PCB Solder |
| PM106MRAOOO | 1x6 PIN Right Angle PCB Solder |
| PM108MRAOOO | 1x8 PIN Right Angle PCB Solder |

### Right Angle PCB Snap Bracket & Latch

| Part Number | Description                    |
|-------------|--------------------------------|
| PM103MRALSB | 1x3 PIN Right Angle PCB Solder |
| PM104MRALSB | 1x4 PIN Right Angle PCB Solder |
| PM106MRALSB | 1x6 PIN Right Angle PCB Solder |
| PM108MRALSB | 1x8 PIN Right Angle PCB Solder |

### Right Angle PCB Snap Bracket & No Latch

| Part Number | Description                    |
|-------------|--------------------------------|
| PM103MRAOSB | 1x3 PIN Right Angle PCB Solder |
| PM104MRAOSB | 1x4 PIN Right Angle PCB Solder |
| PM106MRAOSB | 1x6 PIN Right Angle PCB Solder |
| PM108MRAOSB | 1x8 PIN Right Angle PCB Solder |

### Right Angle PCB Bracket With Hole & Latch

| Part Number | Description                    |
|-------------|--------------------------------|
| PM103MRALHB | 1x3 PIN Right Angle PCB Solder |
| PM104MRALHB | 1x4 PIN Right Angle PCB Solder |
| PM106MRALHB | 1x6 PIN Right Angle PCB Solder |
| PM108MRALHB | 1x8 PIN Right Angle PCB Solder |

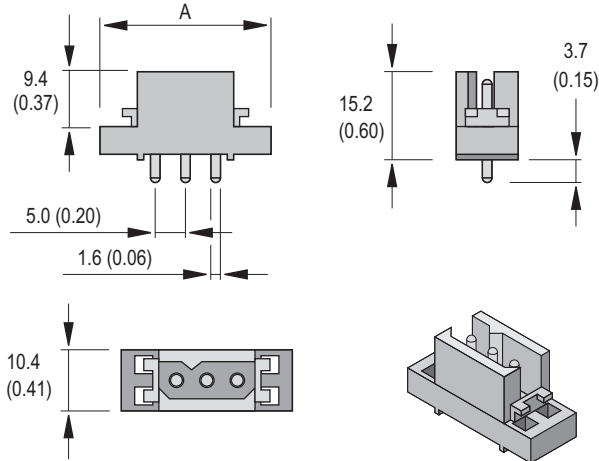
### Right Angle PCB Bracket With Hole & No Latch

| Part Number | Description                    |
|-------------|--------------------------------|
| PM103MRAOHB | 1x3 PIN Right Angle PCB Solder |
| PM104MRAOHB | 1x4 PIN Right Angle PCB Solder |
| PM106MRAOHB | 1x6 PIN Right Angle PCB Solder |
| PM108MRAOHB | 1x8 PIN Right Angle PCB Solder |

PCB contacts and mounting accessories are designed for a board thickness of 1.60mm (.063) with a contact protrusion of 2.10 (.083). Other contact lengths are available upon request.

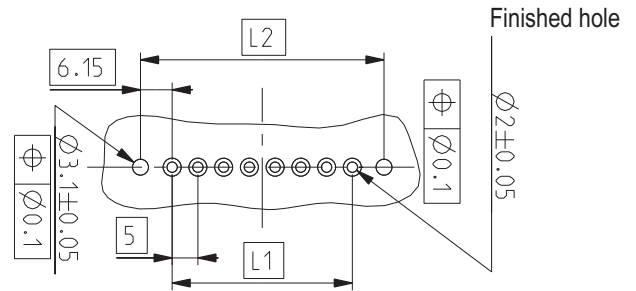
## DIMENSIONS - mm(in.)

### 1 Row - PCB Straight Solder Connector



### 1 Row - PCB Hole Layout For Straight Solder Connector

| ROWS CONTACTS | A    |      | L1 |      | L2   |      |
|---------------|------|------|----|------|------|------|
|               | mm   | in.  | mm | in.  | mm   | in.  |
| 1 - 03        | 28.5 | 1.12 | 10 | 0.39 | 22.3 | 0.88 |
| 1 - 04        | 33.5 | 1.32 | 15 | 0.59 | 27.3 | 1.07 |
| 1 - 06        | 43.5 | 1.71 | 25 | 0.98 | 37.3 | 1.47 |
| 1 - 08        | 53.5 | 2.11 | 35 | 1.38 | 47.3 | 1.86 |



## ORDERING INFORMATION

### With Latch

| Part Number | Description                 |
|-------------|-----------------------------|
| PM103MBALOO | 1x3 PIN Straight PCB Solder |
| PM104MBALOO | 1x4 PIN Straight PCB Solder |
| PM106MBALOO | 1x6 PIN Straight PCB Solder |
| PM108MBALOO | 1x8 PIN Straight PCB Solder |

### Push On PCB Fastener & Latch

| Part Number | Description                 |
|-------------|-----------------------------|
| PM103MBALSP | 1x3 PIN Straight PCB Solder |
| PM104MBALSP | 1x4 PIN Straight PCB Solder |
| PM106MBALSP | 1x6 PIN Straight PCB Solder |
| PM108MBALSP | 1x8 PIN Straight PCB Solder |

### Self-tapping Screws For PCB Mount & Latch

| Part Number | Description                 |
|-------------|-----------------------------|
| PM103MBALST | 1x3 PIN Straight PCB Solder |
| PM104MBALST | 1x4 PIN Straight PCB Solder |
| PM106MBALST | 1x6 PIN Straight PCB Solder |
| PM108MBALST | 1x8 PIN Straight PCB Solder |

### No Latch

| Part Number | Description                 |
|-------------|-----------------------------|
| PM103MBAOOO | 1x3 PIN Straight PCB Solder |
| PM104MBAOOO | 1x4 PIN Straight PCB Solder |
| PM106MBAOOO | 1x6 PIN Straight PCB Solder |
| PM108MBAOOO | 1x8 PIN Straight PCB Solder |

### Push On PCB Fastener & No Latch

| Part Number | Description                 |
|-------------|-----------------------------|
| PM103MBAOSP | 1x3 PIN Straight PCB Solder |
| PM104MBAOSP | 1x4 PIN Straight PCB Solder |
| PM106MBAOSP | 1x6 PIN Straight PCB Solder |
| PM108MBAOSP | 1x8 PIN Straight PCB Solder |

### Self-tapping Screws For PCB Mount & No Latch

| Part Number | Description                 |
|-------------|-----------------------------|
| PM103MBAOST | 1x3 PIN Straight PCB Solder |
| PM104MBAOST | 1x4 PIN Straight PCB Solder |
| PM106MBAOST | 1x6 PIN Straight PCB Solder |
| PM108MBAOST | 1x8 PIN Straight PCB Solder |

PCB contacts and mounting accessories are designed for a board thickness of 1.60mm (.063) with a contact protrusion of 2.10 (.083). Other contact lengths are available upon request.

All Data Subject To Change Without Notice

HEADQUARTERS: 13 Pratts Junction Road, P.O. Box 579, Sterling, MA 01564 T:978-422-3600 F:978-422-3700

EUROPE: Rathaely Road, Fermoy Co. Cork, Ireland T:353-(0)25-32277 F:353-(0)25-32296

ASIA/PACIFIC: IDEAL Anderson Asia Pacific Ltd., Unit 922-928 Topsail Plaza, 11 On Sum Street, Shatin N.T., Hong Kong T:852-2636-0836 F:852-2635-9036

CHINA: IDEAL Anderson Technologies (Shenzhen) Ltd., Block A8 Tantou W. Ind. Par, Songgang Baoan District, Shenzhen, P.R. China 51810 T: 86-755-2768-2118 F: 86-755-2768-2218

TAIWAN: IDEAL Anderson Asia Pacific Ltd., Taiwan Branch, 4F.-2, No.116, Dadun 20th St., Situn District, Taichung City 407, Taiwan (R.O.C.) T: 886-4-2310-6451 F:886-4-2310-6460

[www.andersonpower.com](http://www.andersonpower.com)

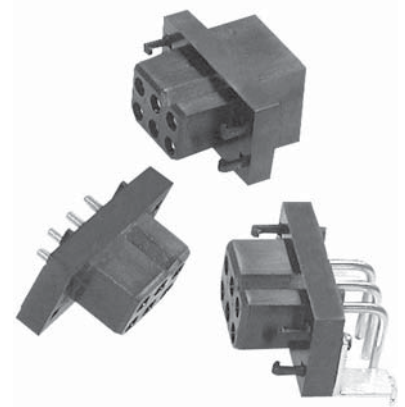
The PowerMod® connector family offers minimum size and high power. The high performance contacts and insulator are rated for 30 amps continuous. Applications requiring lower operating temperatures can be de-rated using our current-temperature chart.

The two row female PowerMod connectors are offered in 6, 8, 12 and 16 circuit sizes. The connectors are available with straight crimp, straight PCB or right angle PCB contacts.

APP connectors are manufactured using the finest materials and world-class manufacturing processes. They embody the highest quality in the industry and meet all applicable industry standards.

### FEATURES

- **High performance contacts**  
*Rated to 30 amps per IEC 512-3*
- **Mechanically polarized housings**  
*Only mate one-way, ensuring proper mating*
- **High reliability positive retention latches**  
*Are made from stainless steel to provide optimum performance*
- **PCB, panel or cable mounting**  
*A wide variety of contact styles with optional mounting brackets, panel clips and back-shell hoods provide broad design flexibility*



### SPECIFICATIONS

#### Electrical

|                                   |                    |
|-----------------------------------|--------------------|
| Current rating                    | 30 Amps            |
| IEC 512-3, UL 1977                |                    |
| Voltage Rating UL & CSA           | 600 Volts (AC/DC)  |
| Creepage/Clearance Distance       | 3.2 mm (.125") Min |
| Contact Resistance per IEC 512-2  | 3 milliohms        |
| Dielectric Strength per IEC 512-2 | 2200 V             |
| Contact Wire Range (AWG)          | #24 to #12         |
| (mm <sup>2</sup> ) *              | 0.25 to 4.0        |
| Operating Temperature Range °C    | -55° to 180°       |
| °F                                | -67° to 356°       |

#### Mechanical

|                                      |                          |
|--------------------------------------|--------------------------|
| Connect/Disconnect Cycles            | 1000 cycles              |
| No Load per IEC 512-5                | 10 oz (3N) avg.          |
| Mating/Unmating Force per IEC 512-13 | 18 lb (80N) Crimps       |
| Contact Retention per IEC 512-8      | 9 lb (40N) PCB Connector |

#### Materials

|                 |  |
|-----------------|--|
| Insulator       | PPS UL94 V-0, material group IIIa          |
| Socket Body     | Copper alloy, 200 μ inch Sn Bright over Ni |
| Socket Contact  | BeCu, 30 μ inch Au over Ni                 |
| Retention Clips | Stainless steel                            |
| Hoods           | PBT UL94 V-0                               |



File No. E26226

\* Stranding, IEC class 5 or lower

### ORDERING INFORMATION

#### PowerMod Part Number Plan - Two Row Female

Series Rows # Poles Gender Contact Latch Mounting Customized Connector

|   |   |   |   |   |   |   |   |   |   |   |   |                             |   |   |
|---|---|---|---|---|---|---|---|---|---|---|---|-----------------------------|---|---|
| P   | M | 2   | 0 | 6 | F | B | A | L | C | H | - | X                           | X | X |
|   |   |   |   |   |   |   |   |   |   |   |   | Consult factory for options |   |   |
| 2   |   |   |   |   |   |   |   |   |   |   |   |                             |   |   |
| 06, 08, 12, 16 Poles                          |   |   |   |   |   |   |   |   |   |   |   |                             |   |   |
| F - Female                                    |   |   |   |   |   |   |   |   |   |   |   |                             |   |   |
| OO - None (Crimp contacts ordered separately) |   |   |   |   |   |   |   |   |   |   |   |                             |   |   |
| BA - Straight PCB Solder Standard Length-RoHS |   |   |   |   |   |   |   |   |   |   |   |                             |   |   |
| RA - R/A PCB Solder Standard Length-RoHS      |   |   |   |   |   |   |   |   |   |   |   |                             |   |   |
|   |   | OO - None   |   |   |   |   |   |   |   |   |   |                             |   |   |
|   |   | SB - R/A PCB Snap Bracket                               |   |   |   |   |   |   |   |   |   |                             |   |   |
|   |   | HB - R/A PCB Bracket with Hole                          |   |   |   |   |   |   |   |   |   |                             |   |   |
|   |   | ST - Self-tapping screws for straight PCB mount         |   |   |   |   |   |   |   |   |   |                             |   |   |
|   |   | SP - Push in fastener for straight PCB mount            |   |   |   |   |   |   |   |   |   |                             |   |   |
|   |   | CH - With clam-shell hood                               |   |   |   |   |   |   |   |   |   |                             |   |   |
|   |   | PC - Panel Clip   |   |   |   |   |   |   |   |   |   |                             |   |   |
|   |   | MC - Mounting Clip                                      |   |   |   |   |   |   |   |   |   |                             |   |   |
|   |   | SC - Screw for 1.6mm panel mount                        |   |   |   |   |   |   |   |   |   |                             |   |   |
|   |   | L - Connector with latch (standard for contact type OO) |   |   |   |   |   |   |   |   |   |                             |   |   |
|   |   | O - No latch  |   |   |   |   |   |   |   |   |   |                             |   |   |

#### Crimp Contacts

| Part Number  | Description      |
|--------------|------------------|
| PM16S2024S32 | Socket AWG 24-20 |
| PM16S1620S32 | Socket AWG 20-16 |
| PM16S1416S32 | Socket AWG 16-14 |
| PM16S12S32   | Socket AWG 12    |

#### Tooling

| Part Number | Description                                |
|-------------|--|
| PM1000G1    | Four indent hand tool                      |
| PM1001G1    | Loose crimp piece machine - semi automatic |
| PM1002G1    | Contact insertion tool                     |
| PM1003G1    | Contact extraction tool                    |

HEADQUARTERS: 13 Pratts Junction Road, P.O. Box 579, Sterling, MA 01564 T:978-422-3600 F:978-422-3700

EUROPE: Rathealy Road, Fermoy Co. Cork, Ireland T:353-(0)25-32277 F:353-(0)25-32296

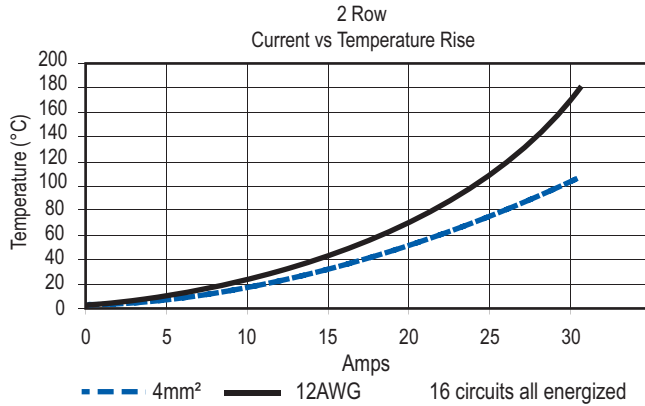
ASIA/PACIFIC: IDEAL Anderson Asia Pacific Ltd., Unit 922-928 Topsail Plaza, 11 On Sum Street, Shatin N.T., Hong Kong T:852-2636-0836 F:852-2635-9036

CHINA: IDEAL Anderson Technologies (Shenzhen) Ltd., Block A8 Tantou W. Ind. Par, Songgang Baoan District, Shenzhen, P.R. China 51810 T: 86-755-2768-2118 F: 86-755-2768-2218

TAIWAN: IDEAL Anderson Asia Pacific Ltd., Taiwan Branch, 4F.-2, No.116, Dadun 20th St., Situn District, Taichung City 407, Taiwan (R.O.C.) T: 886-4-2310-6451 F:886-4-2310-6460

[www.andersonpower.com](http://www.andersonpower.com)

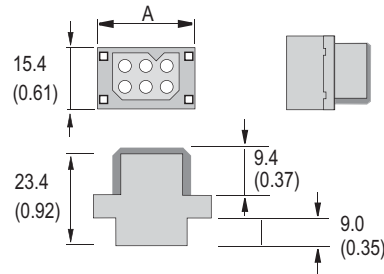
## TEMPERATURE RISE CHARTS



## DIMENSIONS - mm(in.)

### Cable Connector

| ROWS CONTACTS | -A-  |      |
|---------------|------|------|
|               | mm   | in.  |
| 2 - 06        | 28.5 | 1.12 |
| 2 - 08        | 33.5 | 1.32 |
| 2 - 12        | 43.5 | 1.71 |
| 2 - 16        | 53.5 | 2.11 |



See accessory section for panel clip and mounting clip cut-out dimensions.

## ORDERING INFORMATION

### Cable Connector

| Part Number | Description                |
|-------------|----------------------------|
| PM206FOOLOO | 2x3 FEMALE Cable Connector |
| PM208FOOLOO | 2x4 FEMALE Cable Connector |
| PM212FOOLOO | 2x6 FEMALE Cable Connector |
| PM216FOOLOO | 2x8 FEMALE Cable Connector |

### Panel Mount With Mounting Clip

| Part Number | Description                |
|-------------|----------------------------|
| PM206FOOLMC | 2x3 FEMALE Cable Connector |
| PM208FOOLMC | 2x4 FEMALE Cable Connector |
| PM212FOOLMC | 2x6 FEMALE Cable Connector |
| PM216FOOLMC | 2x8 FEMALE Cable Connector |

### With Clam Shell Hood & Strain Relief

| Part Number | Description                |
|-------------|----------------------------|
| PM206FOOLCH | 2x3 FEMALE Cable Connector |
| PM208FOOLCH | 2x4 FEMALE Cable Connector |
| PM212FOOLCH | 2x6 FEMALE Cable Connector |
| PM216FOOLCH | 2x8 FEMALE Cable Connector |

### Panel Mount With Screws

| Part Number | Description                |
|-------------|----------------------------|
| PM206FOOLSC | 2x3 FEMALE Cable Connector |
| PM208FOOLSC | 2x4 FEMALE Cable Connector |
| PM212FOOLSC | 2x6 FEMALE Cable Connector |
| PM216FOOLSC | 2x8 FEMALE Cable Connector |

### With Snap-in Panel Clip

| Part Number | Description                |
|-------------|----------------------------|
| PM206FOOLPC | 2x3 FEMALE Cable Connector |
| PM208FOOLPC | 2x4 FEMALE Cable Connector |
| PM212FOOLPC | 2x6 FEMALE Cable Connector |
| PM216FOOLPC | 2x8 FEMALE Cable Connector |

HEADQUARTERS: 13 Pratts Junction Road, P.O. Box 579, Sterling, MA 01564 T:978-422-3600 F:978-422-3700

EUROPE: Rathealy Road, Fermoy Co. Cork, Ireland T:353-(0)25-32277 F:353-(0)25-32296

ASIA/PACIFIC: IDEAL Anderson Asia Pacific Ltd., Unit 922-928 Topsail Plaza, 11 On Sum Street, Shatin N.T., Hong Kong T:852-2636-0836 F:852-2635-9036

CHINA: IDEAL Anderson Technologies (Shenzhen) Ltd., Block A8 Tantou W. Ind. Par, Songgang Baoan District, Shenzhen, P.R. China 51810 T: 86-755-2768-2118 F: 86-755-2768-2218

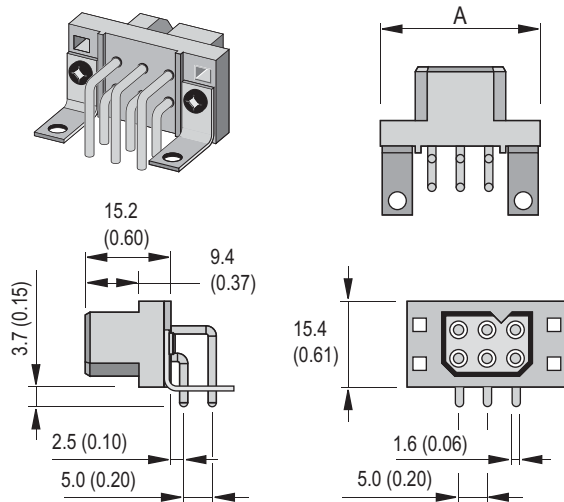
TAIWAN: IDEAL Anderson Asia Pacific Ltd., Taiwan Branch, 4F.-2, No.116, Dadun 20th St., Situn District, Taichung City 407, Taiwan (R.O.C.) T: 886-4-2310-6451 F:886-4-2310-6460

[www.andersonpower.com](http://www.andersonpower.com)

# Two Row Right Angle PCB (female)

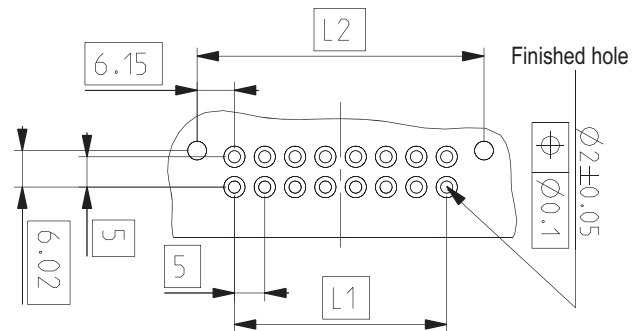
## DIMENSIONS - mm(in.)

### 2 Row - PCB Right Angle Connector



### 2 Row - PCB Hole Layout For Right Angle Connector

| ROWS CONTACTS | A    |      | L1 |      | L2   |      |
|---------------|------|------|----|------|------|------|
|               | mm   | in.  | mm | in.  | mm   | in.  |
| 2 - 06        | 28.5 | 1.12 | 10 | 0.39 | 22.3 | 0.88 |
| 2 - 08        | 33.5 | 1.32 | 15 | 0.59 | 27.3 | 1.07 |
| 2 - 12        | 43.5 | 1.71 | 25 | 0.98 | 37.3 | 1.47 |
| 2 - 16        | 53.5 | 2.11 | 35 | 1.38 | 47.3 | 1.86 |



## ORDERING INFORMATION

### With Latch

| Part Number | Description                       |
|-------------|-----------------------------------|
| PM206FRALOO | 2x3 FEMALE Right Angle PCB Solder |
| PM208FRALOO | 2x4 FEMALE Right Angle PCB Solder |
| PM212FRALOO | 2x6 FEMALE Right Angle PCB Solder |
| PM216FRALOO | 2x8 FEMALE Right Angle PCB Solder |

### No Latch

| Part Number | Description                       |
|-------------|-----------------------------------|
| PM206FRAOOO | 2x3 FEMALE Right Angle PCB Solder |
| PM208FRAOOO | 2x4 FEMALE Right Angle PCB Solder |
| PM212FRAOOO | 2x6 FEMALE Right Angle PCB Solder |
| PM216FRAOOO | 2x8 FEMALE Right Angle PCB Solder |

### Right Angle PCB Snap Bracket & Latch

| Part Number | Description                       |
|-------------|-----------------------------------|
| PM206FRALSB | 2x3 FEMALE Right Angle PCB Solder |
| PM208FRALSB | 2x4 FEMALE Right Angle PCB Solder |
| PM212FRALSB | 2x6 FEMALE Right Angle PCB Solder |
| PM216FRALSB | 2x8 FEMALE Right Angle PCB Solder |

### Right Angle PCB Snap Bracket & No Latch

| Part Number | Description                       |
|-------------|-----------------------------------|
| PM206FRAOSB | 2x3 FEMALE Right Angle PCB Solder |
| PM208FRAOSB | 2x4 FEMALE Right Angle PCB Solder |
| PM212FRAOSB | 2x6 FEMALE Right Angle PCB Solder |
| PM216FRAOSB | 2x8 FEMALE Right Angle PCB Solder |

### Right Angle PCB Bracket With Hole & Latch

| Part Number | Description                       |
|-------------|-----------------------------------|
| PM206FRALHB | 2x3 FEMALE Right Angle PCB Solder |
| PM208FRALHB | 2x4 FEMALE Right Angle PCB Solder |
| PM212FRALHB | 2x6 FEMALE Right Angle PCB Solder |
| PM216FRALHB | 2x8 FEMALE Right Angle PCB Solder |

### Right Angle PCB Bracket With Hole & No Latch

| Part Number | Description                       |
|-------------|-----------------------------------|
| PM206FRAOHB | 2x3 FEMALE Right Angle PCB Solder |
| PM208FRAOHB | 2x4 FEMALE Right Angle PCB Solder |
| PM212FRAOHB | 2x6 FEMALE Right Angle PCB Solder |
| PM216FRAOHB | 2x8 FEMALE Right Angle PCB Solder |

PCB contacts and mounting accessories are designed for a board thickness of 1.60mm (.063) with a contact protrusion of 2.10 (.083). Other contact lengths are available upon request.

HEADQUARTERS: 13 Pratts Junction Road, P.O. Box 579, Sterling, MA 01564 T:978-422-3600 F:978-422-3700

EUROPE: Rathealy Road, Fermoy Co. Cork, Ireland T:353-(0)25-32277 F:353-(0)25-32296

ASIA/PACIFIC: IDEAL Anderson Asia Pacific Ltd., Unit 922-928 Topsail Plaza, 11 On Sum Street, Shatin N.T., Hong Kong T:852-2636-0836 F:852-2635-9036

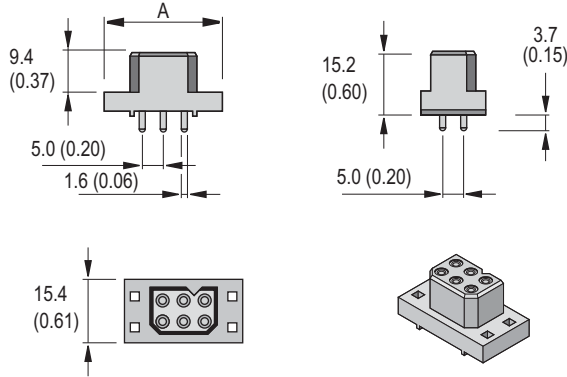
CHINA: IDEAL Anderson Technologies (Shenzhen) Ltd., Block A8 Tantou W. Ind. Par, Songgang Baoan District, Shenzhen, P.R. China 51810 T: 86-755-2768-2118 F: 86-755-2768-2218

TAIWAN: IDEAL Anderson Asia Pacific Ltd., Taiwan Branch, 4F.-2, No.116, Dadun 20th St., Situn District, Taichung City 407, Taiwan (R.O.C.) T: 886-4-2310-6451 F:886-4-2310-6460

[www.andersonpower.com](http://www.andersonpower.com)

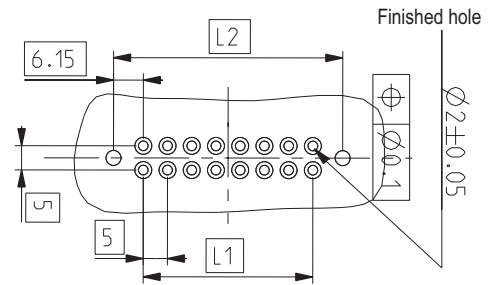
## DIMENSIONS - mm(in.)

### 2 Row - PCB Straight Solder Connector



### 2 Row - PCB Hole Layout For Straight Solder Connector

| ROWS CONTACTS | A    |      | L1 |      | L2   |      |
|---------------|------|------|----|------|------|------|
|               | mm   | in.  | mm | in.  | mm   | in.  |
| 2 - 06        | 28.5 | 1.12 | 10 | 0.39 | 22.3 | 0.88 |
| 2 - 08        | 33.5 | 1.32 | 15 | 0.59 | 27.3 | 1.07 |
| 2 - 12        | 43.5 | 1.71 | 25 | 0.98 | 37.3 | 1.47 |
| 2 - 16        | 53.5 | 2.11 | 35 | 1.38 | 47.3 | 1.86 |



## ORDERING INFORMATION

### With Latch

| Part Number | Description                    |
|-------------|--------------------------------|
| PM206FBALOO | 2x3 FEMALE Straight PCB Solder |
| PM208FBALOO | 2x4 FEMALE Straight PCB Solder |
| PM212FBALOO | 2x6 FEMALE Straight PCB Solder |
| PM216FBALOO | 2x8 FEMALE Straight PCB Solder |

### No Latch

| Part Number | Description                    |
|-------------|--------------------------------|
| PM206FBAOOO | 2x3 FEMALE Straight PCB Solder |
| PM208FBAOOO | 2x4 FEMALE Straight PCB Solder |
| PM212FBAOOO | 2x6 FEMALE Straight PCB Solder |
| PM216FBAOOO | 2x8 FEMALE Straight PCB Solder |

### Push on PCB Fastener & Latch

| Part Number | Description                    |
|-------------|--------------------------------|
| PM206FBALSP | 2x3 FEMALE Straight PCB Solder |
| PM208FBALSP | 2x4 FEMALE Straight PCB Solder |
| PM212FBALSP | 2x6 FEMALE Straight PCB Solder |
| PM216FBALSP | 2x8 FEMALE Straight PCB Solder |

### Push on PCB Fastener & No Latch

| Part Number | Description                    |
|-------------|--------------------------------|
| PM206FBAOSP | 2x3 FEMALE Straight PCB Solder |
| PM208FBAOSP | 2x4 FEMALE Straight PCB Solder |
| PM212FBAOSP | 2x6 FEMALE Straight PCB Solder |
| PM216FBAOSP | 2x8 FEMALE Straight PCB Solder |

### Self-tapping Screws For PCB Mount & Latch

| Part Number | Description                    |
|-------------|--------------------------------|
| PM206FBALST | 2x3 FEMALE Straight PCB Solder |
| PM208FBALST | 2x4 FEMALE Straight PCB Solder |
| PM212FBALST | 2x6 FEMALE Straight PCB Solder |
| PM216FBALST | 2x8 FEMALE Straight PCB Solder |

### Self-tapping Screws For PCB Mount & No Latch

| Part Number | Description                    |
|-------------|--------------------------------|
| PM206FBAOST | 2x3 FEMALE Straight PCB Solder |
| PM208FBAOST | 2x4 FEMALE Straight PCB Solder |
| PM212FBAOST | 2x6 FEMALE Straight PCB Solder |
| PM216FBAOST | 2x8 FEMALE Straight PCB Solder |

PCB contacts and mounting accessories are designed for a board thickness of 1.60mm (.063) with a contact protrusion of 2.10 (.083). Other contact lengths are available upon request.

All Data Subject To Change Without Notice

HEADQUARTERS: 13 Pratts Junction Road, P.O. Box 579, Sterling, MA 01564 T:978-422-3600 F:978-422-3700

EUROPE: Rately Road, Fermoy Co. Cork, Ireland T:353-(0)25-32277 F:353-(0)25-32296

ASIA/PACIFIC: IDEAL Anderson Asia Pacific Ltd., Unit 922-928 Topsail Plaza, 11 On Sum Street, Shatin N.T., Hong Kong T:852-2636-0836 F:852-2635-9036

CHINA: IDEAL Anderson Technologies (Shenzhen) Ltd., Block A8 Tantou W. Ind. Par, Songgang Baoan District, Shenzhen, P.R. China 51810 T: 86-755-2768-2118 F: 86-755-2768-2218

TAIWAN: IDEAL Anderson Asia Pacific Ltd., Taiwan Branch, 4F.-2, No.116, Dadun 20th St., Situn District, Taichung City 407, Taiwan (R.O.C.) T: 886-4-2310-6451 F:886-4-2310-6460

[www.andersonpower.com](http://www.andersonpower.com)



The PowerMod® connector family offers minimum size and high power. The high performance contacts and insulator are rated for 30 amps continuous. Applications requiring lower operating temperatures can be de-rated using our current-temperature chart.

The three row male PowerMod connectors are offered in 6, 8, 12 and 16 circuit sizes. The connectors are available with straight crimp, straight PCB or right angle PCB contacts.

APP connectors are manufactured using the finest materials and world-class manufacturing processes. They embody the highest quality in the industry and meet all applicable industry standards.

### FEATURES

- **Mechanically polarized housings**

*Only mate one-way, ensuring proper mating*

- **High reliability positive retention latches**

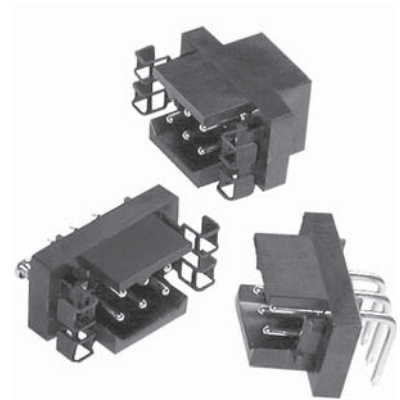
*Are made from stainless steel to provide optimum performance*

- **PCB, panel or cable mounting**

*A wide variety of contact styles with optional mounting brackets, panel clips and back-shell hoods provide broad design flexibility*

- **Optional sequential contact mating**

*4 pin contact lengths can be custom specified for make-first/break-last or make-last/break-first circuits*



### SPECIFICATIONS

#### Electrical

|                                      |                              |
|--------------------------------------|------------------------------|
| Current rating<br>IEC 512-3, UL 1977 | 30 Amps                      |
| Voltage Rating UL & CSA              | 600 Volts (AC/DC)            |
| Creepage/Clearance Distance          | 3.2 mm (.125") Min           |
| Contact Resistance per IEC 512-2     | 3 milliohms                  |
| Dielectric Strength per IEC 512-2    | 2200 V                       |
| Contact Wire Range (AWG)<br>(mm²) *  | #24 to #12<br>0.25 to 4.0    |
| Operating Temperature Range °C<br>°F | -55° to 180°<br>-67° to 356° |



US File No. E26226

\* Stranding, IEC class 5 or lower

#### Mechanical

|                                      |                          |
|--------------------------------------|--------------------------|
| Connect/Disconnect Cycles            | 1000 cycles              |
| No Load per IEC 512-5                | 10 oz (3N) avg.          |
| Mating/Unmating Force per IEC 512-13 | 18 lb (80N) Crimps       |
| Contact Retention per IEC 512-8      | 9 lb (40N) PCB Connector |

#### Materials

|                            |                                       |
|----------------------------|---------------------------------------|
| Insulator                  | PPS UL94 V-0, material group IIIa     |
| Pins                       | Copper alloy, 10 μ inch Au over 50 Ni |
| Tail Solder (PCB contacts) | Sn/Ag/Cu (lead free)                  |
| Retention Clips            | Stainless steel                       |
| Hoods                      | PBT UL94 V-0                          |

### ORDERING INFORMATION

#### PowerMod Part Number Plan - Two Row Male

| Series               | Rows | # Poles  | Gender | Contact | Latch | Mounting | Customized Connector |
|----------------------|------|--|--------|---------|-------|----------|----------------------|
| P                    | M    | 2  | 0      | 6       | M     | B A      | L C H - X X X        |
| 2                    |      | Consult factory for options  |        |         |       |          |                      |
| 06, 08, 12, 16 Poles |      | OO - None<br>SB - R/A PCB Snap Bracket<br>HB - R/A PCB Bracket with Hole<br>ST - Self-tapping screws for straight PCB mount<br>SP - Push in fastner for straight PCB mount<br>CH - With clam-shell hood<br>PC - Panel Clip<br>MC - Mounting Clip<br>SC - Screw for 1.6mm panel mount |        |         |       |          |                      |
| M - Male             |      | L - Connector with latch (standard for contact type OO)<br>O - No latch  |        |         |       |          |                      |

#### Crimp Contacts

| Part Number           | Description |
|-----------------------|-------------|
| Standard Length 7.7mm |             |
| PM16P2024S30          | AWG 24-20   |
| PM16P1620S30          | AWG 20-16   |
| PM16P1416S30          | AWG 16-14   |
| PM16P12S30            | AWG 12      |
| Pre-Mate 9.3mm        |             |
| PM16P2024A30          | AWG 24-20   |
| PM16P1620A30          | AWG 20-16   |
| PM16P1416A30          | AWG 16-14   |
| PM16P12A30            | AWG 12      |
| Pre-Mate 8.5mm        |             |
| PM16P2024B30          | AWG 24-20   |
| PM16P1620B30          | AWG 20-16   |
| PM16P1416B30          | AWG 16-14   |
| PM16P12B30            | AWG 12      |
| Post-Mate 6.6mm       |             |
| PM16P2024C30          | AWG 24-20   |
| PM16P1620C30          | AWG 20-16   |
| PM16P1416C30          | AWG 16-14   |
| PM16P12C30            | AWG 12      |

#### Tooling

| Part Number | Description                           | Part Number | Description             |
|-------------|---------------------------------------|-------------|-------------------------|
| PM1000G1    | Four indent hand tool                 | PM1002G1    | Contact insertion tool  |
| PM1001G1    | Loose crimp piece machine (semi/auto) | PM1003G1    | Contact extraction tool |

HEADQUARTERS: 13 Pratts Junction Road, P.O. Box 579, Sterling, MA 01564 T:978-422-3600 F:978-422-3700

EUROPE: Rathealy Road, Fermoy Co. Cork, Ireland T:353-(0)25-32277 F:353-(0)25-32296

ASIA/PACIFIC: IDEAL Anderson Asia Pacific Ltd., Unit 922-928 Topsail Plaza, 11 On Sum Street, Shatin N.T., Hong Kong T:852-2636-0836 F:852-2635-9036

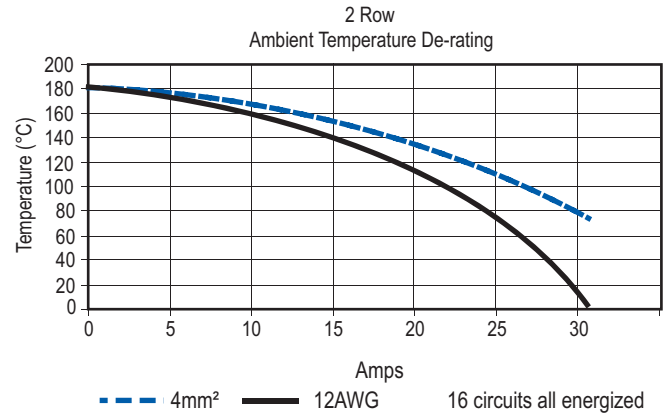
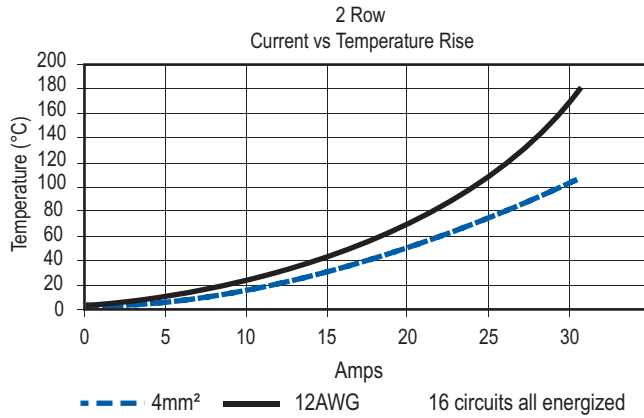
CHINA: IDEAL Anderson Technologies (Shenzhen) Ltd., Block A8 Tantou W. Ind. Par, Songgang Baoan District, Shenzhen, PR. China 51810 T: 86-755-2768-2118 F: 86-755-2768-2218

TAIWAN: IDEAL Anderson Asia Pacific Ltd., Taiwan Branch, 4F.-2, No.116, Dadun 20th St., Situn District, Taichung City 407, Taiwan (R.O.C.) T: 886-4-2310-6451 F:886-4-2310-6460

[www.andersonpower.com](http://www.andersonpower.com)

# Two Row Cable Connector (male)

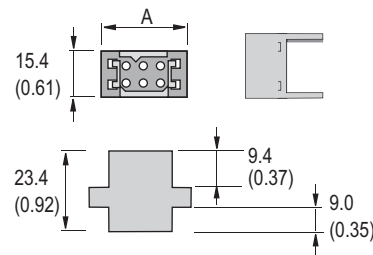
## TEMPERATURE CHARTS



## DIMENSIONS - mm(in.)

### Cable Connector

| ROWS CONTACTS | -A-  |      |
|---------------|------|------|
|               | mm   | in.  |
| 2 - 06        | 28.5 | 1.12 |
| 2 - 08        | 33.5 | 1.32 |
| 2 - 12        | 43.5 | 1.71 |
| 2 - 16        | 53.5 | 2.11 |



See accessory section for panel clip and mounting clip cut-out dimensions.

## ORDERING INFORMATION

### Cable Connector

| Part Number | Description              |
|-------------|--------------------------|
| PM206MOOLOO | 2x3 MALE Cable Connector |
| PM208MOOLOO | 2x4 MALE Cable Connector |
| PM212MOOLOO | 2x6 MALE Cable Connector |
| PM216MOOLOO | 2x8 MALE Cable Connector |

### Panel Mount With Mounting Clip

| Part Number | Description              |
|-------------|--------------------------|
| PM206MOOLMC | 2x3 MALE Cable Connector |
| PM208MOOLMC | 2x4 MALE Cable Connector |
| PM212MOOLMC | 2x6 MALE Cable Connector |
| PM216MOOLMC | 2x8 MALE Cable Connector |

### With Clam Shell Hood & Strain Relief

| Part Number | Description              |
|-------------|--------------------------|
| PM206MOOLCH | 2x3 MALE Cable Connector |
| PM208MOOLCH | 2x4 MALE Cable Connector |
| PM212MOOLCH | 2x6 MALE Cable Connector |
| PM216MOOLCH | 2x8 MALE Cable Connector |

### Panel Mount With Screws

| Part Number | Description              |
|-------------|--------------------------|
| PM206MOOLSC | 2x3 MALE Cable Connector |
| PM208MOOLSC | 2x4 MALE Cable Connector |
| PM212MOOLSC | 2x6 MALE Cable Connector |
| PM216MOOLSC | 2x8 MALE Cable Connector |

### With Snap-in Panel Clip

| Part Number | Description              |
|-------------|--------------------------|
| PM206MOOLPC | 2x3 MALE Cable Connector |
| PM208MOOLPC | 2x4 MALE Cable Connector |
| PM212MOOLPC | 2x6 MALE Cable Connector |
| PM216MOOLPC | 2x8 MALE Cable Connector |

HEADQUARTERS: 13 Pratts Junction Road, P.O. Box 579, Sterling, MA 01564 T:978-422-3600 F:978-422-3700

EUROPE: Raheen Road, Fermoy Co. Cork, Ireland T:353-(0)25-32277 F:353-(0)25-32296

ASIA/PACIFIC: IDEAL Anderson Asia Pacific Ltd., Unit 922-928 Topsail Plaza, 11 On Sum Street, Shatin N.T., Hong Kong T:852-2636-0836 F:852-2635-9036

CHINA: IDEAL Anderson Technologies (Shenzhen) Ltd., Block A8 Tantou W. Ind. Par, Songgang Baoan District, Shenzhen, P.R. China 51810 T: 86-755-2768-2118 F: 86-755-2768-2218

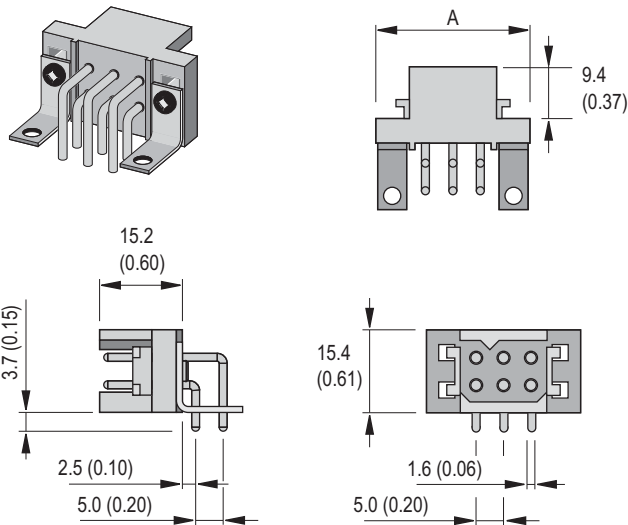
TAIWAN: IDEAL Anderson Asia Pacific Ltd., Taiwan Branch, 4F.-2, No.116, Dadun 20th St., Situn District, Taichung City 407, Taiwan (R.O.C.) T: 886-4-2310-6451 F:886-4-2310-6460

[www.andersonpower.com](http://www.andersonpower.com)

# Two Row Right Angle PCB (male)

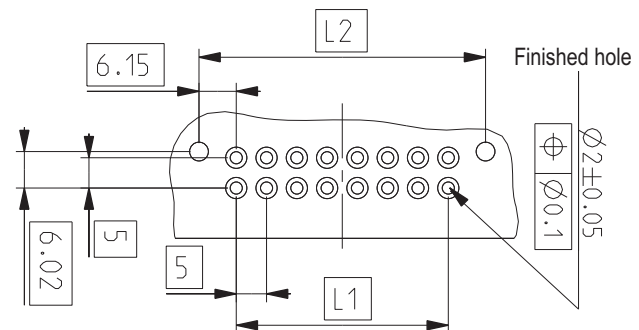
## DIMENSIONS - mm(in.)

### 2 Row - PCB Right Angle Connector



### 2 Row - PCB Hole Layout For Right Angle Connector

| ROWS CONTACTS | A    |      | L1 |      | L2   |      |
|---------------|------|------|----|------|------|------|
|               | mm   | in.  | mm | in.  | mm   | in.  |
| 2 - 06        | 28.5 | 1.12 | 10 | 0.39 | 22.3 | 0.88 |
| 2 - 08        | 33.5 | 1.32 | 15 | 0.59 | 27.3 | 1.07 |
| 2 - 12        | 43.5 | 1.71 | 25 | 0.98 | 37.3 | 1.47 |
| 2 - 16        | 53.5 | 2.11 | 35 | 1.38 | 47.3 | 1.86 |



## ORDERING INFORMATION

### With Latch

| Part Number | Description                     |
|-------------|---------------------------------|
| PM206MRALOO | 2x3 MALE Right Angle PCB Solder |
| PM208MRALOO | 2x4 MALE Right Angle PCB Solder |
| PM212MRALOO | 2x6 MALE Right Angle PCB Solder |
| PM216MRALOO | 2x8 MALE Right Angle PCB Solder |

### No Latch

| Part Number | Description                     |
|-------------|---------------------------------|
| PM206MRAOOO | 2x3 MALE Right Angle PCB Solder |
| PM208MRAOOO | 2x4 MALE Right Angle PCB Solder |
| PM212MRAOOO | 2x6 MALE Right Angle PCB Solder |
| PM216MRAOOO | 2x8 MALE Right Angle PCB Solder |

### Right Angle PCB Snap Bracket & Latch

| Part Number | Description                     |
|-------------|---------------------------------|
| PM206MRALSB | 2x3 MALE Right Angle PCB Solder |
| PM208MRALSB | 2x4 MALE Right Angle PCB Solder |
| PM212MRALSB | 2x6 MALE Right Angle PCB Solder |
| PM216MRALSB | 2x8 MALE Right Angle PCB Solder |

### Right Angle Latch PCB Snap Bracket & No Latch

| Part Number | Description                     |
|-------------|---------------------------------|
| PM206MRAOSB | 2x3 MALE Right Angle PCB Solder |
| PM208MRAOSB | 2x4 MALE Right Angle PCB Solder |
| PM212MRAOSB | 2x6 MALE Right Angle PCB Solder |
| PM216MRAOSB | 2x8 MALE Right Angle PCB Solder |

### Right Angle PCB Bracket With Hole & Latch

| Part Number | Description                     |
|-------------|---------------------------------|
| PM206MRALHB | 2x3 MALE Right Angle PCB Solder |
| PM208MRALHB | 2x4 MALE Right Angle PCB Solder |
| PM212MRALHB | 2x6 MALE Right Angle PCB Solder |
| PM216MRALHB | 2x8 MALE Right Angle PCB Solder |

### Right Angle PCB Bracket With Hole & No Latch

| Part Number | Description                     |
|-------------|---------------------------------|
| PM206MRAOHB | 2x3 MALE Right Angle PCB Solder |
| PM208MRAOHB | 2x4 MALE Right Angle PCB Solder |
| PM212MRAOHB | 2x6 MALE Right Angle PCB Solder |
| PM216MRAOHB | 2x8 MALE Right Angle PCB Solder |

PCB contacts and mounting accessories are designed for a board thickness of 1.60mm (.063) with a contact protrusion of 2.10 (.083). Other contact lengths are available upon request.

HEADQUARTERS: 13 Pratts Junction Road, P.O. Box 579, Sterling, MA 01564 T:978-422-3600 F:978-422-3700

EUROPE: Rathealy Road, Fermoy Co. Cork, Ireland T:353-(0)25-32277 F:353-(0)25-32296

ASIA/PACIFIC: IDEAL Anderson Asia Pacific Ltd., Unit 922-928 Topsail Plaza, 11 On Sum Street, Shatin N.T., Hong Kong T:852-2636-0836 F:852-2635-9036

CHINA: IDEAL Anderson Technologies (Shenzhen) Ltd., Block A8 Tantou W. Ind. Par, Songgang Baoan District, Shenzhen, P.R. China 51810 T: 86-755-2768-2118 F: 86-755-2768-2218

TAIWAN: IDEAL Anderson Asia Pacific Ltd., Taiwan Branch, 4F.-2, No.116, Dadun 20th St., Situn District, Taichung City 407, Taiwan (R.O.C.) T: 886-4-2310-6451 F:886-4-2310-6460

[www.andersonpower.com](http://www.andersonpower.com)

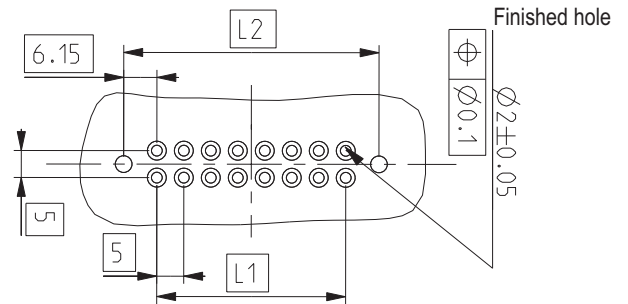
## DIMENSIONS - mm(in.)

### 2 Row - PCB Straight Solder Connector



### 2 Row - PCB Hole Layout For Straight Solder Connector

| ROWS CONTACTS | A    |      | L1 |      | L2   |      |
|---------------|------|------|----|------|------|------|
|               | mm   | in.  | mm | in.  | mm   | in.  |
| 2 - 06        | 28.5 | 1.12 | 10 | 0.39 | 22.3 | 0.88 |
| 2 - 08        | 33.5 | 1.32 | 15 | 0.59 | 27.3 | 1.07 |
| 2 - 12        | 43.5 | 1.71 | 25 | 0.98 | 37.3 | 1.47 |
| 2 - 16        | 53.5 | 2.11 | 35 | 1.38 | 47.3 | 1.86 |



## ORDERING INFORMATION

### With Latch

| Part Number | Description                  |
|-------------|------------------------------|
| PM206MBALOO | 2x3 MALE Straight PCB Solder |
| PM208MBALOO | 2x4 MALE Straight PCB Solder |
| PM212MBALOO | 2x6 MALE Straight PCB Solder |
| PM216MBALOO | 2x8 MALE Straight PCB Solder |

### No Latch

| Part Number | Description                 |
|-------------|-----------------------------|
| PM206MBAOOO | 2x3 PIN Straight PCB Solder |
| PM208MBAOOO | 2x4 PIN Straight PCB Solder |
| PM212MBAOOO | 2x6 PIN Straight PCB Solder |
| PM216MBAOOO | 2x8 PIN Straight PCB Solder |

### Push On PCB Fastener & Latch

| Part Number | Description                  |
|-------------|------------------------------|
| PM206MBALSP | 2x3 MALE Straight PCB Solder |
| PM208MBALSP | 2x4 MALE Straight PCB Solder |
| PM212MBALSP | 2x6 MALE Straight PCB Solder |
| PM216MBALSP | 2x8 MALE Straight PCB Solder |

### Push On PCB Fastener & No Latch

| Part Number | Description                 |
|-------------|-----------------------------|
| PM206MBAOSP | 2x3 PIN Straight PCB Solder |
| PM208MBAOSP | 2x4 PIN Straight PCB Solder |
| PM212MBAOSP | 2x6 PIN Straight PCB Solder |
| PM216MBAOSP | 2x8 PIN Straight PCB Solder |

### Self-tapping Screws For PCB Mount & Latch

| Part Number | Description                  |
|-------------|------------------------------|
| PM206MBALST | 2x3 MALE Straight PCB Solder |
| PM208MBALST | 2x4 MALE Straight PCB Solder |
| PM212MBALST | 2x6 MALE Straight PCB Solder |
| PM216MBALST | 2x8 MALE Straight PCB Solder |

### Self-tapping Screws For PCB Mount & No Latch

| Part Number | Description                 |
|-------------|-----------------------------|
| PM206MBAOST | 2x3 PIN Straight PCB Solder |
| PM208MBAOST | 2x4 PIN Straight PCB Solder |
| PM212MBAOST | 2x6 PIN Straight PCB Solder |
| PM216MBAOST | 2x8 PIN Straight PCB Solder |

PCB contacts and mounting accessories are designed for a board thickness of 1.60mm (.063) with a contact protrusion of 2.10 (.083). Other contact lengths are available upon request.

All Data Subject To Change Without Notice

HEADQUARTERS: 13 Pratts Junction Road, P.O. Box 579, Sterling, MA 01564 T:978-422-3600 F:978-422-3700

EUROPE: Rathaely Road, Fermoy Co. Cork, Ireland T:353-(0)25-32277 F:353-(0)25-32296

ASIA/PACIFIC: IDEAL Anderson Asia Pacific Ltd., Unit 922-928 Topsail Plaza, 11 On Sum Street, Shatin N.T., Hong Kong T:852-2636-0836 F:852-2635-9036

CHINA: IDEAL Anderson Technologies (Shenzhen) Ltd., Block A8 Tantou W. Ind. Par, Songgang Baoan District, Shenzhen, P.R. China 51810 T: 86-755-2768-2118 F: 86-755-2768-2218

TAIWAN: IDEAL Anderson Asia Pacific Ltd., Taiwan Branch, 4F.-2, No.116, Dadun 20th St., Situn District, Taichung City 407, Taiwan (R.O.C.) T: 886-4-2310-6451 F:886-4-2310-6460

[www.andersonpower.com](http://www.andersonpower.com)

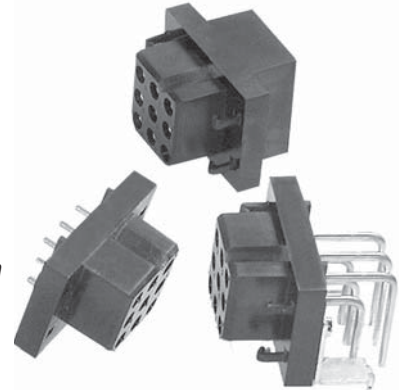
The PowerMod® connector family offers minimum size and high power. The high performance contacts and insulator are rated for 30 amps continuous. Applications requiring lower operating temperatures can be de-rated using our current-temperature chart.

The three row female PowerMod connectors are offered in 9, 12, 18, 24 and 30 circuit sizes. The connectors are available with straight crimp, straight PCB or right angle PCB contacts.

APP connectors are manufactured using the finest materials and world-class manufacturing processes. They embody the highest quality in the industry and meet all applicable industry standards.

### FEATURES

- **High performance contacts**  
*Rated to 30 amps per IEC 512-3*
- **Mechanically polarized housings**  
*Only mate one-way, ensuring proper mating*
- **High reliability positive retention latches**  
*Are made from stainless steel to provide optimum performance*
- **PCB, panel or cable mounting**  
*A wide variety of contact styles with optional mounting brackets, panel clips and back-shell hoods provide broad design flexibility*



### SPECIFICATIONS

#### Electrical

|                                   |                    |                    |
|-----------------------------------|--------------------|--------------------|
| Current rating                    | IEC 512-3, UL 1977 | 30 Amps            |
| Voltage Rating UL & CSA           |                    | 600 Volts (AC/DC)  |
| Creepage/Clearance Distance       |                    | 3.2 mm (.125") Min |
| Contact Resistance per IEC 512-2  |                    | 3 milliohms        |
| Dielectric Strength per IEC 512-2 |                    | 2200 V             |
| Contact Wire Range (AWG)          |                    | #24 to #12         |
| (mm <sup>2</sup> ) *              |                    | 0.25 to 4.0        |
| Operating Temperature Range °C    |                    | -55° to 180°       |
| °F                                |                    | -67° to 356°       |

#### Mechanical

|                                      |                       |  |
|--------------------------------------|-----------------------|--|
| Connect/Disconnect Cycles            | No Load per IEC 512-5 | 1000 cycles                                    |
| Mating/Unmating Force per IEC 512-13 |                       | 10 oz (3N) avg.                                |
| Contact Retention per IEC 512-8      |                       | 18 lb (80N) Crimps<br>9 lb (40N) PCB Connector |

#### Materials

|                 |  |
|-----------------|--|
| Insulator       | PPS UL94 V-0, material group IIIa          |
| Socket Body     | Copper alloy, 200 μ inch Sn Bright over Ni |
| Socket Contact  | BeCu, 30 μ inch Au over Ni                 |
| Retention Clips | Stainless steel                            |
| Hoods           | PBT UL94 V-0                               |



\* Stranding, IEC class 5 or lower

### ORDERING INFORMATION

#### PowerMod Part Number Plan - Three Row Female

| Series   | Rows | # Poles | Gender | Contact | Latch | Mounting | Customized Connector |   |   |   |   |   |   |  |
|--|------|---------|--------|---------|-------|----------|----------------------|---|---|---|---|---|---|--|
| P  | M    | 3       | 0      | 9       | F     | B        | A                    | L | C | H | X | X   | X |  |
|  |      |         |        |         |       |          |                      |   |   |   |   | Consult factory for options   |   |  |
| 09, 12, 18, 24, 30 Poles   |      |         |        |         |       |          |                      |   |   |   |   | OO - None<br>SB - R/A PCB Snap Bracket<br>HB - R/A PCB Bracket with Hole<br>ST - Self-tapping screws for straight PCB mount<br>SP - Push in fastener for straight PCB mount<br>CH - With clam-shell hood<br>PC - Panel Clip<br>MC - Mounting Clip<br>SC - Screw for 1.6mm panel mount |   |  |
| F - Female   |      |         |        |         |       |          |                      |   |   |   |   | L - Connector with latch (standard for contact type OO)<br>O - No latch   |   |  |
| OO - None (Crimp contacts ordered separately)<br>BA - Straight PCB Solder Standard Length-RoHS<br>RA - R/A PCB Solder Standard Length-RoHS |      |         |        |         |       |          |                      |   |   |   |   |   |   |  |

#### Crimp Contacts

| Part Number  | Description      |
|--------------|------------------|
| PM16S2024S32 | Socket AWG 24-20 |
| PM16S1620S32 | Socket AWG 20-16 |
| PM16S1416S32 | Socket AWG 16-14 |
| PM16S12S32   | Socket AWG 12    |

#### Tooling

| Part Number | Description                                |
|-------------|--|
| PM1000G1    | Four indent hand tool                      |
| PM1001G1    | Loose crimp piece machine - semi automatic |
| PM1002G1    | Contact insertion tool                     |
| PM1003G1    | Contact extraction tool                    |

HEADQUARTERS: 13 Pratts Junction Road, P.O. Box 579, Sterling, MA 01564 T:978-422-3600 F:978-422-3700

EUROPE: Rathealy Road, Fermoy Co. Cork, Ireland T:353-(0)25-32277 F:353-(0)25-32296

ASIA/PACIFIC: IDEAL Anderson Asia Pacific Ltd., Unit 922-928 Topsail Plaza, 11 On Sum Street, Shatin N.T., Hong Kong T:852-2636-0836 F:852-2635-9036

CHINA: IDEAL Anderson Technologies (Shenzhen) Ltd., Block A8 Tantou W. Ind. Par, Songgang Baoan District, Shenzhen, PR. China 51810 T: 86-755-2768-2118 F: 86-755-2768-2218

TAIWAN: IDEAL Anderson Asia Pacific Ltd., Taiwan Branch, 4F.-2, No.116, Dadun 20th St., Situn District, Taichung City 407, Taiwan (R.O.C.) T: 886-4-2310-6451 F:886-4-2310-6460

[www.andersonpower.com](http://www.andersonpower.com)

# Three Row Cable Connector (female)

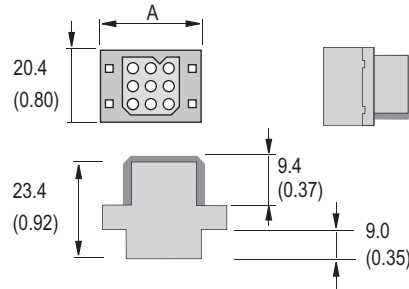
## TEMPERATURE RISE CHARTS



## DIMENSIONS - mm(in.)

### Cable Connector

| ROWS CONTACTS | A    |      |
|---------------|------|------|
|               | mm   | in.  |
| 3 - 09        | 28.5 | 1.12 |
| 3 - 12        | 33.5 | 1.32 |
| 3 - 18        | 43.5 | 1.71 |
| 3 - 24        | 53.5 | 2.11 |
| 3 - 30        | 63.5 | 2.50 |



See accessory section for panel clip and mounting clip cut-out dimensions.

## ORDERING INFORMATION

### Cable Connector

| Part Number | Description                 |
|-------------|-----------------------------|
| PM309FOOLOO | 3x3 FEMALE Cable Connector  |
| PM312FOOLOO | 3x4 FEMALE Cable Connector  |
| PM318FOOLOO | 3x6 FEMALE Cable Connector  |
| PM324FOOLOO | 3x8 FEMALE Cable Connector  |
| PM330FOOLOO | 3x10 FEMALE Cable Connector |

### Panel Mount With Mounting Clip

| Part Number | Description                 |
|-------------|-----------------------------|
| PM309FOOLMC | 3x3 FEMALE Cable Connector  |
| PM312FOOLMC | 3x4 FEMALE Cable Connector  |
| PM318FOOLMC | 3x6 FEMALE Cable Connector  |
| PM324FOOLMC | 3x8 FEMALE Cable Connector  |
| PM330FOOLMC | 3x10 FEMALE Cable Connector |

### With Clam Shell Hood & Strain Relief

| Part Number | Description                 |
|-------------|-----------------------------|
| PM309FOOLCH | 3x3 FEMALE Cable Connector  |
| PM312FOOLCH | 3x4 FEMALE Cable Connector  |
| PM318FOOLCH | 3x6 FEMALE Cable Connector  |
| PM324FOOLCH | 3x8 FEMALE Cable Connector  |
| PM330FOOLCH | 3x10 FEMALE Cable Connector |

### Panel Mount With Screws

| Part Number | Description                 |
|-------------|-----------------------------|
| PM309FOOLSC | 3x3 FEMALE Cable Connector  |
| PM312FOOLSC | 3x4 FEMALE Cable Connector  |
| PM318FOOLSC | 3x6 FEMALE Cable Connector  |
| PM324FOOLSC | 3x8 FEMALE Cable Connector  |
| PM330FOOLSC | 3x10 FEMALE Cable Connector |

### With Snap-in Panel Clip

| Part Number | Description                 |
|-------------|-----------------------------|
| PM309FOOLPC | 3x3 FEMALE Cable Connector  |
| PM312FOOLPC | 3x4 FEMALE Cable Connector  |
| PM318FOOLPC | 3x6 FEMALE Cable Connector  |
| PM324FOOLPC | 3x8 FEMALE Cable Connector  |
| PM330FOOLPC | 3x10 FEMALE Cable Connector |

HEADQUARTERS: 13 Pratts Junction Road, P.O. Box 579, Sterling, MA 01564 T:978-422-3600 F:978-422-3700

EUROPE: Rathealy Road, Fermoy Co. Cork, Ireland T:353-(0)25-32277 F:353-(0)25-32296

ASIA/PACIFIC: IDEAL Anderson Asia Pacific Ltd., Unit 922-928 Topsail Plaza, 11 On Sum Street, Shatin N.T., Hong Kong T:852-2636-0836 F:852-2635-9036

CHINA: IDEAL Anderson Technologies (Shenzhen) Ltd., Block A8 Tantou W. Ind. Par, Songgang Baoan District, Shenzhen, P.R. China 51810 T: 86-755-2768-2118 F: 86-755-2768-2218

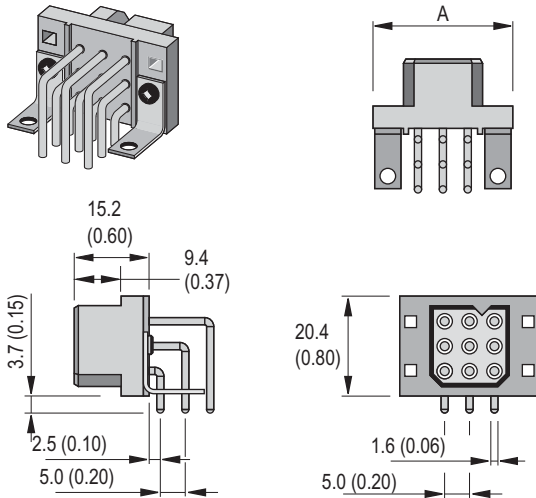
TAIWAN: IDEAL Anderson Asia Pacific Ltd., Taiwan Branch, 4F.-2, No.116, Dadun 20th St., Situn District, Taichung City 407, Taiwan (R.O.C.) T: 886-4-2310-6451 F:886-4-2310-6460

[www.andersonpower.com](http://www.andersonpower.com)

# Three Row Right Angle PCB (female)

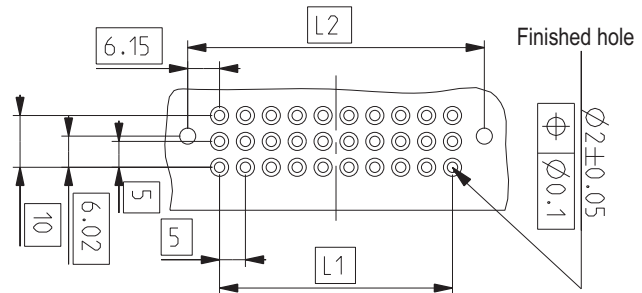
## DIMENSIONS - mm(in.)

### 3 Row - PCB Right Angle Connector



### 3 Row - PCB Hole Layout For Right Angle Connector

| ROWS CONTACTS | A    |      | L1 |      | L2   |      |
|---------------|------|------|----|------|------|------|
|               | mm   | in.  | mm | in.  | mm   | in.  |
| 3 - 09        | 28.5 | 1.12 | 10 | 0.39 | 22.3 | 0.88 |
| 3 - 12        | 33.5 | 1.32 | 15 | 0.59 | 27.3 | 1.07 |
| 3 - 18        | 43.5 | 1.71 | 25 | 0.98 | 37.3 | 1.47 |
| 3 - 24        | 53.5 | 2.11 | 35 | 1.38 | 47.3 | 1.86 |
| 3 - 30        | 63.5 | 2.50 | 45 | 1.77 | 57.3 | 2.26 |



## ORDERING INFORMATION

### With Latch

| Part Number | Description                        |
|-------------|------------------------------------|
| PM309FRALOO | 3x3 FEMALE Right Angle PCB Solder  |
| PM312FRALOO | 3x4 FEMALE Right Angle PCB Solder  |
| PM318FRALOO | 3x6 FEMALE Right Angle PCB Solder  |
| PM324FRALOO | 3x8 FEMALE Right Angle PCB Solder  |
| PM330FRALOO | 3x10 FEMALE Right Angle PCB Solder |

### Right Angle PCB Snap Bracket & Latch

| Part Number | Description                        |
|-------------|------------------------------------|
| PM309FRALSB | 3x3 FEMALE Right Angle PCB Solder  |
| PM312FRALSB | 3x4 FEMALE Right Angle PCB Solder  |
| PM318FRALSB | 3x6 FEMALE Right Angle PCB Solder  |
| PM324FRALSB | 3x8 FEMALE Right Angle PCB Solder  |
| PM330FRALSB | 3x10 FEMALE Right Angle PCB Solder |

### Right Angle PCB Bracket With Hole & Latch

| Part Number | Description                        |
|-------------|------------------------------------|
| PM309FRALHB | 3x3 FEMALE Right Angle PCB Solder  |
| PM312FRALHB | 3x4 FEMALE Right Angle PCB Solder  |
| PM318FRALHB | 3x6 FEMALE Right Angle PCB Solder  |
| PM324FRALHB | 3x8 FEMALE Right Angle PCB Solder  |
| PM330FRALHB | 3x10 FEMALE Right Angle PCB Solder |

### No Latch

| Part Number | Description                        |
|-------------|------------------------------------|
| PM309FRAOOO | 3x3 FEMALE Right Angle PCB Solder  |
| PM312FRAOOO | 3x4 FEMALE Right Angle PCB Solder  |
| PM318FRAOOO | 3x6 FEMALE Right Angle PCB Solder  |
| PM324FRAOOO | 3x8 FEMALE Right Angle PCB Solder  |
| PM330FRAOOO | 3x10 FEMALE Right Angle PCB Solder |

### Right Angle PCB Snap Bracket & No Latch

| Part Number | Description                        |
|-------------|------------------------------------|
| PM309FRAOSB | 3x3 FEMALE Right Angle PCB Solder  |
| PM312FRAOSB | 3x4 FEMALE Right Angle PCB Solder  |
| PM318FRAOSB | 3x6 FEMALE Right Angle PCB Solder  |
| PM324FRAOSB | 3x8 FEMALE Right Angle PCB Solder  |
| PM330FRAOSB | 3x10 FEMALE Right Angle PCB Solder |

### Right Angle PCB Bracket With Hole & No Latch

| Part Number | Description                        |
|-------------|------------------------------------|
| PM309FRAOHB | 3x3 FEMALE Right Angle PCB Solder  |
| PM312FRAOHB | 3x4 FEMALE Right Angle PCB Solder  |
| PM318FRAOHB | 3x6 FEMALE Right Angle PCB Solder  |
| PM324FRAOHB | 3x8 FEMALE Right Angle PCB Solder  |
| PM330FRAOHB | 3x10 FEMALE Right Angle PCB Solder |

PCB contacts and mounting accessories are designed for a board thickness of 1.60mm (.063) with a contact protrusion of 2.10 (.083). Other contact lengths are available upon request.

HEADQUARTERS: 13 Pratts Junction Road, P.O. Box 579, Sterling, MA 01564 T:978-422-3600 F:978-422-3700

EUROPE: Rathealy Road, Fermoy Co. Cork, Ireland T:353-(0)25-32277 F:353-(0)25-32296

ASIA/PACIFIC: IDEAL Anderson Asia Pacific Ltd., Unit 922-928 Topsail Plaza, 11 On Sum Street, Shatin N.T., Hong Kong T:852-2636-0836 F:852-2635-9036

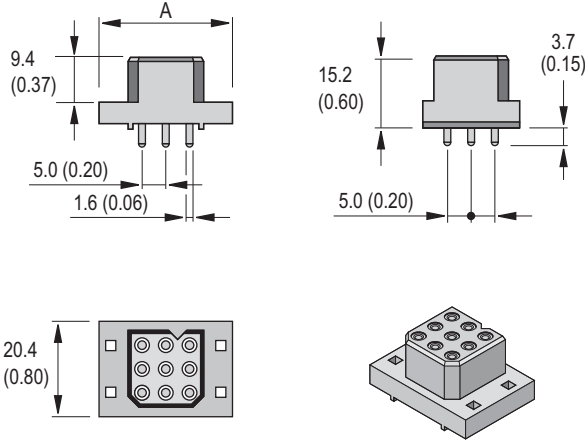
CHINA: IDEAL Anderson Technologies (Shenzhen) Ltd., Block A8 Tantou W. Ind. Par, Songgang Baoan District, Shenzhen, P.R. China 51810 T: 86-755-2768-2118 F: 86-755-2768-2218

TAIWAN: IDEAL Anderson Asia Pacific Ltd., Taiwan Branch, 4F.-2, No.116, Dadun 20th St., Situn District, Taichung City 407, Taiwan (R.O.C.) T: 886-4-2310-6451 F:886-4-2310-6460

[www.andersonpower.com](http://www.andersonpower.com)

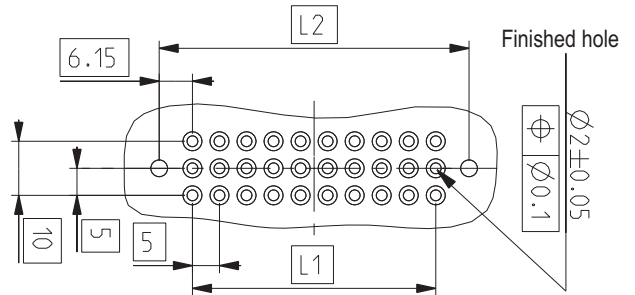
## DIMENSIONS

### 3 Row - PCB Straight Solder Connector



### 3 Row - PCB Hole Layout For Straight Solder Connector

| ROWS CONTACTS | A    |      | L1 |      | L2   |      |
|---------------|------|------|----|------|------|------|
|               | mm   | in.  | mm | in.  | mm   | in.  |
| 3 - 09        | 28.5 | 1.12 | 10 | 0.39 | 22.3 | 0.88 |
| 3 - 12        | 33.5 | 1.32 | 15 | 0.59 | 27.3 | 1.07 |
| 3 - 18        | 43.5 | 1.71 | 25 | 0.98 | 37.3 | 1.47 |
| 3 - 24        | 53.5 | 2.11 | 35 | 1.38 | 47.3 | 1.86 |
| 3 - 30        | 63.5 | 2.50 | 45 | 1.77 | 57.3 | 2.26 |



## ORDERING INFORMATION

### With Latch

| Part Number | Description                     |
|-------------|---------------------------------|
| PM309FBALOO | 3x3 FEMALE Straight PCB Solder  |
| PM312FBALOO | 3x4 FEMALE Straight PCB Solder  |
| PM318FBALOO | 3x6 FEMALE Straight PCB Solder  |
| PM324FBALOO | 3x8 FEMALE Straight PCB Solder  |
| PM330FBALOO | 3x10 FEMALE Straight PCB Solder |

### Push On PCB Fastener & Latch

| Part Number | Description                     |
|-------------|---------------------------------|
| PM309FBALSP | 3x3 FEMALE Straight PCB Solder  |
| PM312FBALSP | 3x4 FEMALE Straight PCB Solder  |
| PM318FBALSP | 3x6 FEMALE Straight PCB Solder  |
| PM324FBALSP | 3x8 FEMALE Straight PCB Solder  |
| PM330FBALSP | 3x10 FEMALE Straight PCB Solder |

### Self-tapping Screws For PCB Mount & Latch

| Part Number | Description                     |
|-------------|---------------------------------|
| PM309FBALST | 3x3 FEMALE Straight PCB Solder  |
| PM312FBALST | 3x4 FEMALE Straight PCB Solder  |
| PM318FBALST | 3x6 FEMALE Straight PCB Solder  |
| PM324FBALST | 3x8 FEMALE Straight PCB Solder  |
| PM330FBALST | 3x10 FEMALE Straight PCB Solder |

### No Latch

| Part Number | Description                     |
|-------------|---------------------------------|
| PM309FBAOOO | 3x3 FEMALE Straight PCB Solder  |
| PM312FBAOOO | 3x4 FEMALE Straight PCB Solder  |
| PM318FBAOOO | 3x6 FEMALE Straight PCB Solder  |
| PM324FBAOOO | 3x8 FEMALE Straight PCB Solder  |
| PM330FBAOOO | 3x10 FEMALE Straight PCB Solder |

### Push On PCB Fastener & No Latch

| Part Number | Description                     |
|-------------|---------------------------------|
| PM309FBAOSP | 3x3 FEMALE Straight PCB Solder  |
| PM312FBAOSP | 3x4 FEMALE Straight PCB Solder  |
| PM318FBAOSP | 3x6 FEMALE Straight PCB Solder  |
| PM324FBAOSP | 3x8 FEMALE Straight PCB Solder  |
| PM330FBAOSP | 3x10 FEMALE Straight PCB Solder |

### Self-tapping Screws For PCB Mount & No Latch

| Part Number | Description                     |
|-------------|---------------------------------|
| PM309FBAOST | 3x3 FEMALE Straight PCB Solder  |
| PM312FBAOST | 3x4 FEMALE Straight PCB Solder  |
| PM318FBAOST | 3x6 FEMALE Straight PCB Solder  |
| PM324FBAOST | 3x8 FEMALE Straight PCB Solder  |
| PM330FBAOST | 3x10 FEMALE Straight PCB Solder |

PCB contacts and mounting accessories are designed for a board thickness of 1.60mm (.063) with a contact protrusion of 2.10 (.083). Other contact lengths are available upon request.

All Data Subject To Change Without Notice

HEADQUARTERS: 13 Pratts Junction Road, P.O. Box 579, Sterling, MA 01564 T:978-422-3600 F:978-422-3700

EUROPE: Rathealy Road, Fermoy Co. Cork, Ireland T:353-(0)25-32277 F:353-(0)25-32296

ASIA/PACIFIC: IDEAL Anderson Asia Pacific Ltd., Unit 922-928 Topsail Plaza, 11 On Sum Street, Shatin N.T., Hong Kong T:852-2636-0836 F:852-2635-9036

CHINA: IDEAL Anderson Technologies (Shenzhen) Ltd., Block A8 Tantou W. Ind. Par, Songgang Baoan District, Shenzhen, P.R. China 51810 T: 86-755-2768-2118 F: 86-755-2768-2218

TAIWAN: IDEAL Anderson Asia Pacific Ltd., Taiwan Branch, 4F.-2, No.116, Dadun 20th St., Situn District, Taichung City 407, Taiwan (R.O.C.) T: 886-4-2310-6451 F:886-4-2310-6460

[www.andersonpower.com](http://www.andersonpower.com)



The PowerMod® connector family offers minimum size and high power. The high performance contacts and insulator are rated for 30 amps continuous. Applications requiring lower operating temperatures can be de-rated using our current-temperature chart.

The three row male PowerMod connectors are offered in 9, 12, 18, 24 and 30 circuit sizes. The connectors are available with straight crimp, straight PCB or right angle PCB contacts.

APP connectors are manufactured using the finest materials and world-class manufacturing processes. They embody the highest quality in the industry and meet all applicable industry standards.

### FEATURES

- **Mechanically polarized housings**  
*Only mate one-way, ensuring proper mating*
- **High reliability positive retention latches**  
*Are made from stainless steel to provide optimum performance*
- **PCB, panel or cable mounting**  
*A wide variety of contact styles with optional mounting brackets, panel clips and back-shell hoods provide broad design flexibility*
- **Optional sequential contact mating**  
*4 pin contact lengths can be custom specified for make-first/break-last or make-last/break-first circuits*



### SPECIFICATIONS

| Electrical                                       |                              | Mechanical   |   |
|--|------------------------------|--|---|
| Current rating<br>IEC 512-3, UL 1977             | 30 Amps                      | Connect/Disconnect Cycles<br>No Load per IEC 512-5 | 1000 cycles                                   |
| Voltage Rating UL & CSA                          | 600 Volts (AC/DC)            | Mating/Unmating Force per IEC 512-13               | 10 oz (3N) avg.                               |
| Creepage/Clearance Distance                      | 3.2 mm (.125") Min           | Contact Retention per IEC 512-8                    | 18 lb (80N) Crimp<br>9 lb (40N) PCB Connector |
| Contact Resistance per IEC 512-2                 | 3 milliohms                  |  |   |
| Dielectric Strength per IEC 512-2                | 2200 V                       |  |   |
| Contact Wire Range (AWG)<br>(mm <sup>2</sup> ) * | #24 to #12<br>0.25 to 4.0    |  |   |
| Operating Temperature Range °C<br>°F             | -55° to 180°<br>-67° to 356° |  |   |
|  |                              | Materials  |   |
|  |                              | Insulator  | PPS UL94 V-0, material group IIIa             |
|  |                              | Pins   | Copper alloy, 10 μ inch Au over Ni            |
|  |                              | Tail Solder (PCB contacts)                         | Sn/Ag/Cu (lead free)                          |
|  |                              | Retention Clips                                    | Stainless steel                               |
|  |                              | Hoods  | PBT UL94 V-0                                  |



US File No. E26226

\* Stranding, IEC class 5 or lower

### ORDERING INFORMATION

#### PowerMod Part Number Plan - Three Row Female

| Series  | Rows | # Poles | Gender | Contact | Latch | Mounting | Customized Connector        |
|---|------|---------|--------|---------|-------|----------|-----------------------------|
| P   | M    | 3       | 0      | 9       | M     | B A      | L C H - X X X               |
| 3   |      |         |        |         |       |          | Consult factory for options |
| 09, 12, 18, 24, 30 Poles                                |      |         |        |         |       |          |                             |
| M - Male  |      |         |        |         |       |          |                             |
| OO - None (Crimp contacts ordered separately)           |      |         |        |         |       |          |                             |
| BA - Straight PCB Solder Standard Length-RoHS           |      |         |        |         |       |          |                             |
| RA - R/A PCB Solder Standard Length-RoHS                |      |         |        |         |       |          |                             |
| OO - None   |      |         |        |         |       |          |                             |
| SB - R/A PCB Snap Bracket                               |      |         |        |         |       |          |                             |
| HB - R/A PCB Bracket with Hole                          |      |         |        |         |       |          |                             |
| ST - Self-tapping screws for straight PCB mount         |      |         |        |         |       |          |                             |
| SP - Push in fastener for straight PCB mount            |      |         |        |         |       |          |                             |
| CH - With clam-shell hood                               |      |         |        |         |       |          |                             |
| PC - Panel Clip   |      |         |        |         |       |          |                             |
| MC - Mounting Clip                                      |      |         |        |         |       |          |                             |
| SC - Screw for 1.6mm panel mount                        |      |         |        |         |       |          |                             |
| L - Connector with latch (standard for contact type OO) |      |         |        |         |       |          |                             |
| O - No latch  |      |         |        |         |       |          |                             |

#### Crimp Contacts

| Part Number           | Description   |
|-----------------------|---------------|
| Standard Length 7.7mm |               |
| PM16P2024S30          | Pin AWG 24-20 |
| PM16P1620S30          | Pin AWG 20-16 |
| PM16P1416S30          | Pin AWG 16-14 |
| PM16P12S30            | Pin AWG 12    |
| Pre-Mate 9.3mm        |               |
| PM16P2024A30          | Pin AWG 24-20 |
| PM16P1620A30          | Pin AWG 20-16 |
| PM16P1416A30          | Pin AWG 16-14 |
| PM16P12A30            | Pin AWG 12    |
| Pre-Mate 8.5mm        |               |
| PM16P2024B30          | Pin AWG 24-20 |
| PM16P1620B30          | Pin AWG 20-16 |
| PM16P1416B30          | Pin AWG 16-14 |
| PM16P12B30            | Pin AWG 12    |
| Post-mate 6.6mm       |               |
| PM16P2024C30          | Pin AWG 24-20 |
| PM16P1620C30          | Pin AWG 20-16 |
| PM16P1416C30          | Pin AWG 16-14 |
| PM16P12C30            | Pin AWG 12    |

#### Tooling

| Part Number | Description                           | Part Number | Description             |
|-------------|---------------------------------------|-------------|-------------------------|
| PM1000G1    | Four indent hand tool                 | PM1002G1    | Contact insertion tool  |
| PM1001G1    | Loose crimp piece machine (semi/auto) | PM1003G1    | Contact extraction tool |

HEADQUARTERS: 13 Pratts Junction Road, P.O. Box 579, Sterling, MA 01564 T:978-422-3600 F:978-422-3700

EUROPE: Rathealy Road, Fermoy Co. Cork, Ireland T:353-(0)25-32277 F:353-(0)25-32296

ASIA/PACIFIC: IDEAL Anderson Asia Pacific Ltd., Unit 922-928 Topsail Plaza, 11 On Sum Street, Shatin N.T., Hong Kong T:852-2636-0836 F:852-2635-9036

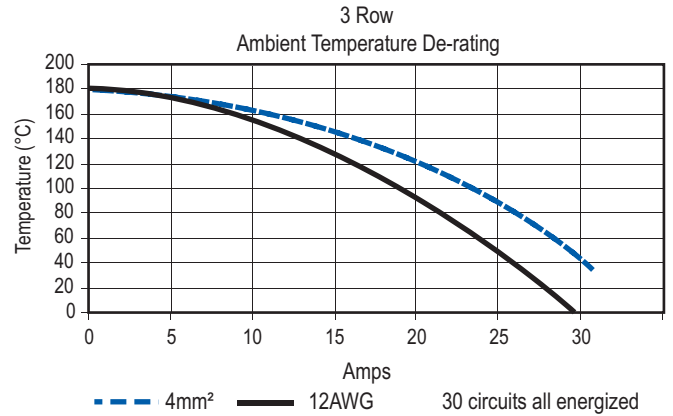
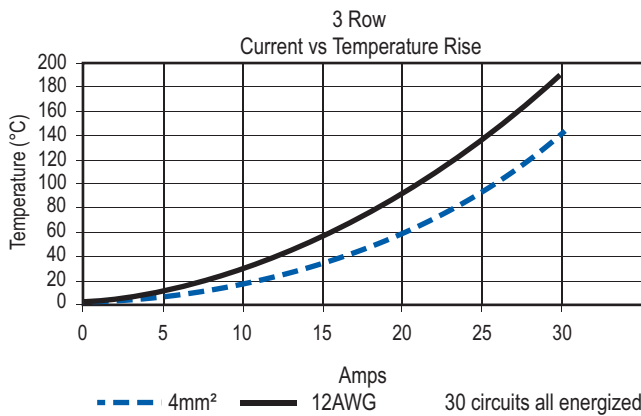
CHINA: IDEAL Anderson Technologies (Shenzhen) Ltd., Block A8 Tantou W. Ind. Par, Songgang Baoan District, Shenzhen, PR. China 51810 T: 86-755-2768-2118 F: 86-755-2768-2218

TAIWAN: IDEAL Anderson Asia Pacific Ltd., Taiwan Branch, 4F.-2, No.116, Dadun 20th St., Situn District, Taichung City 407, Taiwan (R.O.C.) T: 886-4-2310-6451 F:886-4-2310-6460

[www.andersonpower.com](http://www.andersonpower.com)

# Three Row Cable Connector (male)

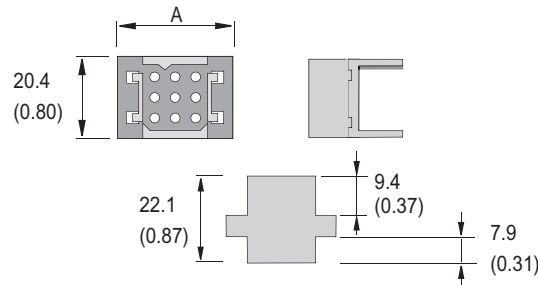
## TEMPERATURE CHARTS



## DIMENSIONS - mm(in.)

### Cable Connector

| ROWS CONTACTS | A    |      |
|---------------|------|------|
|               | mm   | in.  |
| 3 - 09        | 28.5 | 1.12 |
| 3 - 12        | 33.5 | 1.32 |
| 3 - 18        | 43.5 | 1.71 |
| 3 - 24        | 53.5 | 2.11 |
| 3 - 30        | 63.5 | 2.50 |



See accessory section for panel clip and mounting clip cut-out dimensions.

## ORDERING INFORMATION

### Cable Connector

| Part Number | Description               |
|-------------|---------------------------|
| PM309MOOLOO | 3x3 MALE Cable Connector  |
| PM312MOOLOO | 3x4 MALE Cable Connector  |
| PM318MOOLOO | 3x6 MALE Cable Connector  |
| PM324MOOLOO | 3x8 MALE Cable Connector  |
| PM330MOOLOO | 3x10 MALE Cable Connector |

### Panel Mount With Mounting Clip

| Part Number | Description               |
|-------------|---------------------------|
| PM309MOOLMC | 3x3 MALE Cable Connector  |
| PM312MOOLMC | 3x4 MALE Cable Connector  |
| PM318MOOLMC | 3x6 MALE Cable Connector  |
| PM324MOOLMC | 3x8 MALE Cable Connector  |
| PM330MOOLMC | 3x10 MALE Cable Connector |

### With Clam Shell Hood & Strain Relief

| Part Number | Description               |
|-------------|---------------------------|
| PM309MOOLCH | 3x3 MALE Cable Connector  |
| PM312MOOLCH | 3x4 MALE Cable Connector  |
| PM318MOOLCH | 3x6 MALE Cable Connector  |
| PM324MOOLCH | 3x8 MALE Cable Connector  |
| PM330MOOLCH | 3x10 MALE Cable Connector |

### Panel Mount With Screws

| Part Number | Description               |
|-------------|---------------------------|
| PM309MOOLSC | 3x3 MALE Cable Connector  |
| PM312MOOLSC | 3x4 MALE Cable Connector  |
| PM318MOOLSC | 3x6 MALE Cable Connector  |
| PM324MOOLSC | 3x8 MALE Cable Connector  |
| PM330MOOLSC | 3x10 MALE Cable Connector |

### With Snap-in Panel Clip

| Part Number | Description               |
|-------------|---------------------------|
| PM309MOOLPC | 3x3 MALE Cable Connector  |
| PM312MOOLPC | 3x4 MALE Cable Connector  |
| PM318MOOLPC | 3x6 MALE Cable Connector  |
| PM324MOOLPC | 3x8 MALE Cable Connector  |
| PM330MOOLPC | 3x10 MALE Cable Connector |

HEADQUARTERS: 13 Pratts Junction Road, P.O. Box 579, Sterling, MA 01564 T:978-422-3600 F:978-422-3700

EUROPE: Rathealy Road, Fermoy Co. Cork, Ireland T:353-(0)25-32277 F:353-(0)25-32296

ASIA/PACIFIC: IDEAL Anderson Asia Pacific Ltd., Unit 922-928 Topsail Plaza, 11 On Sum Street, Shatin N.T., Hong Kong T:852-2636-0836 F:852-2635-9036

CHINA: IDEAL Anderson Technologies (Shenzhen) Ltd., Block A8 Tantou W. Ind. Par, Songgang Baoan District, Shenzhen, P.R. China 51810 T: 86-755-2768-2118 F: 86-755-2768-2218

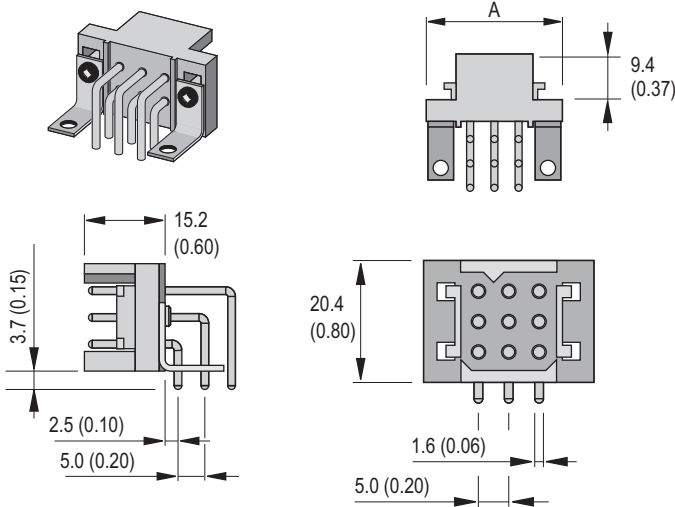
TAIWAN: IDEAL Anderson Asia Pacific Ltd., Taiwan Branch, 4F.-2, No.116, Dadun 20th St., Situn District, Taichung City 407, Taiwan (R.O.C.) T: 886-4-2310-6451 F:886-4-2310-6460

[www.andersonpower.com](http://www.andersonpower.com)

# Three Row Right Angle PCB (male)

## DIMENSIONS - mm(in.)

### 3 Row - PCB Right Angle Connector



### 3 Row - PCB Hole Layout For Right Angle Connector

| ROWS CONTACTS | A    |      | L1 |      | L2   |      |
|---------------|------|------|----|------|------|------|
|               | mm   | in.  | mm | in.  | mm   | in.  |
| 3 - 09        | 28.5 | 1.12 | 10 | 0.39 | 22.3 | 0.88 |
| 3 - 12        | 33.5 | 1.32 | 15 | 0.59 | 27.3 | 1.07 |
| 3 - 18        | 43.5 | 1.71 | 25 | 0.98 | 37.3 | 1.47 |
| 3 - 24        | 53.5 | 2.11 | 35 | 1.38 | 47.3 | 1.86 |
| 3 - 30        | 63.5 | 2.50 | 45 | 1.77 | 57.3 | 2.26 |



## ORDERING INFORMATION

### With Latch

| Part Number | Description                      |
|-------------|----------------------------------|
| PM309MRALOO | 3x3 MALE Right Angle PCB Solder  |
| PM312MRALOO | 3x4 MALE Right Angle PCB Solder  |
| PM318MRALOO | 3x6 MALE Right Angle PCB Solder  |
| PM324MRALOO | 3x8 MALE Right Angle PCB Solder  |
| PM330MRALOO | 3x10 MALE Right Angle PCB Solder |

### Right Angle PCB Snap Bracket & Latch

| Part Number | Description                      |
|-------------|----------------------------------|
| PM309MRALSB | 3x3 MALE Right Angle PCB Solder  |
| PM312MRALSB | 3x4 MALE Right Angle PCB Solder  |
| PM318MRALSB | 3x6 MALE Right Angle PCB Solder  |
| PM324MRALSB | 3x8 MALE Right Angle PCB Solder  |
| PM330MRALSB | 3x10 MALE Right Angle PCB Solder |

### Right Angle PCB Bracket With Hole & Latch

| Part Number | Description                      |
|-------------|----------------------------------|
| PM309MRALHB | 3x3 MALE Right Angle PCB Solder  |
| PM312MRALHB | 3x4 MALE Right Angle PCB Solder  |
| PM318MRALHB | 3x6 MALE Right Angle PCB Solder  |
| PM324MRALHB | 3x8 MALE Right Angle PCB Solder  |
| PM330MRALHB | 3x10 MALE Right Angle PCB Solder |

### No Latch

| Part Number | Description                      |
|-------------|----------------------------------|
| PM309MRAOOO | 3x3 MALE Right Angle PCB Solder  |
| PM312MRAOOO | 3x4 MALE Right Angle PCB Solder  |
| PM318MRAOOO | 3x6 MALE Right Angle PCB Solder  |
| PM324MRAOOO | 3x8 MALE Right Angle PCB Solder  |
| PM330MRAOOO | 3x10 MALE Right Angle PCB Solder |

### Right Angle PCB Snap Bracket & No Latch

| Part Number | Description                      |
|-------------|----------------------------------|
| PM309MRAOSB | 3x3 MALE Right Angle PCB Solder  |
| PM312MRAOSB | 3x4 MALE Right Angle PCB Solder  |
| PM318MRAOSB | 3x6 MALE Right Angle PCB Solder  |
| PM324MRAOSB | 3x8 MALE Right Angle PCB Solder  |
| PM330MRAOSB | 3x10 MALE Right Angle PCB Solder |

### Right Angle PCB Bracket With Hole & No Latch

| Part Number | Description                      |
|-------------|----------------------------------|
| PM309MRAOHB | 3x3 MALE Right Angle PCB Solder  |
| PM312MRAOHB | 3x4 MALE Right Angle PCB Solder  |
| PM318MRAOHB | 3x6 MALE Right Angle PCB Solder  |
| PM324MRAOHB | 3x8 MALE Right Angle PCB Solder  |
| PM330MRAOHB | 3x10 MALE Right Angle PCB Solder |

PCB contacts and mounting accessories are designed for a board thickness of 1.60mm (.063) with a contact protrusion of 2.10 (.083). Other contact lengths are available upon request.

HEADQUARTERS: 13 Pratts Junction Road, P.O. Box 579, Sterling, MA 01564 T:978-422-3600 F:978-422-3700

EUROPE: Raheen Road, Fermoy Co. Cork, Ireland T:353-(0)25-32277 F:353-(0)25-32296

ASIA/PACIFIC: IDEAL Anderson Asia Pacific Ltd., Unit 922-928 Topsail Plaza, 11 On Sum Street, Shatin N.T., Hong Kong T:852-2636-0836 F:852-2635-9036

CHINA: IDEAL Anderson Technologies (Shenzhen) Ltd., Block A8 Tantou W. Ind. Par, Songgang Baoan District, Shenzhen, P.R. China 51810 T: 86-755-2768-2118 F: 86-755-2768-2218

TAIWAN: IDEAL Anderson Asia Pacific Ltd., Taiwan Branch, 4F-2, No.116, Dadun 20th St., Situn District, Taichung City 407, Taiwan (R.O.C.) T: 886-4-2310-6451 F:886-4-2310-6460

[www.andersonpower.com](http://www.andersonpower.com)

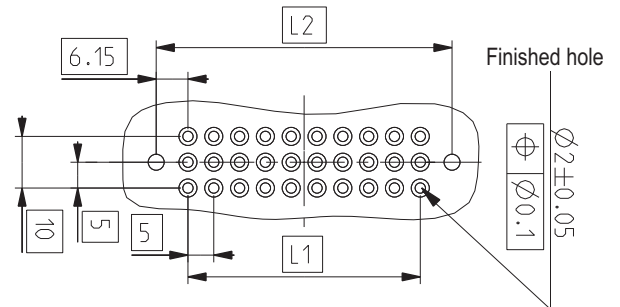
## DIMENSIONS - mm(in.)

### 3 Row - PCB Straight Solder Connector



### 3 Row - PCB Hole Layout For Straight Solder Connector

| ROWS CONTACTS | A    |      | L1 |      | L2   |      |
|---------------|------|------|----|------|------|------|
|               | mm   | in.  | mm | in.  | mm   | in.  |
| 3 - 09        | 28.5 | 1.12 | 10 | 0.39 | 22.3 | 0.88 |
| 3 - 12        | 33.5 | 1.32 | 15 | 0.59 | 27.3 | 1.07 |
| 3 - 18        | 43.5 | 1.71 | 25 | 0.98 | 37.3 | 1.47 |
| 3 - 24        | 53.5 | 2.11 | 35 | 1.38 | 47.3 | 1.86 |
| 3 - 30        | 63.5 | 2.50 | 45 | 1.77 | 57.3 | 2.26 |



## ORDERING INFORMATION

### With Latch

| Part Number | Description                   |
|-------------|-------------------------------|
| PM309MBALOO | 3x3 MALE Straight PCB Solder  |
| PM312MBALOO | 3x4 MALE Straight PCB Solder  |
| PM318MBALOO | 3x6 MALE Straight PCB Solder  |
| PM324MBALOO | 3x8 MALE Straight PCB Solder  |
| PM330MBALOO | 3x10 MALE Straight PCB Solder |

### Push On PCB Fastener & Latch

| Part Number | Description                   |
|-------------|-------------------------------|
| PM309MBALSP | 3x3 MALE Straight PCB Solder  |
| PM312MBALSP | 3x4 MALE Straight PCB Solder  |
| PM318MBALSP | 3x6 MALE Straight PCB Solder  |
| PM324MBALSP | 3x8 MALE Straight PCB Solder  |
| PM330MBALSP | 3x10 MALE Straight PCB Solder |

### Self-tapping Screws For PCB Mount & Latch

| Part Number | Description                   |
|-------------|-------------------------------|
| PM309MBALST | 3x3 MALE Straight PCB Solder  |
| PM312MBALST | 3x4 MALE Straight PCB Solder  |
| PM318MBALST | 3x6 MALE Straight PCB Solder  |
| PM324MBALST | 3x8 MALE Straight PCB Solder  |
| PM330MBALST | 3x10 MALE Straight PCB Solder |

### No Latch

| Part Number | Description                   |
|-------------|-------------------------------|
| PM309MBAOOO | 3x3 MALE Straight PCB Solder  |
| PM312MBAOOO | 3x4 MALE Straight PCB Solder  |
| PM318MBAOOO | 3x6 MALE Straight PCB Solder  |
| PM324MBAOOO | 3x8 MALE Straight PCB Solder  |
| PM330MBAOOO | 3x10 MALE Straight PCB Solder |

### Push On PCB Fastener & No Latch

| Part Number | Description                   |
|-------------|-------------------------------|
| PM309MBAOSP | 3x3 MALE Straight PCB Solder  |
| PM312MBAOSP | 3x4 MALE Straight PCB Solder  |
| PM318MBAOSP | 3x6 MALE Straight PCB Solder  |
| PM324MBAOSP | 3x8 MALE Straight PCB Solder  |
| PM330MBAOSP | 3x10 MALE Straight PCB Solder |

### Self-tapping Screws For PCB Mount & No Latch

| Part Number | Description                   |
|-------------|-------------------------------|
| PM309MBAOST | 3x3 MALE Straight PCB Solder  |
| PM312MBAOST | 3x4 MALE Straight PCB Solder  |
| PM318MBAOST | 3x6 MALE Straight PCB Solder  |
| PM324MBAOST | 3x8 MALE Straight PCB Solder  |
| PM330MBAOST | 3x10 MALE Straight PCB Solder |

PCB contacts and mounting accessories are designed for a board thickness of 1.60mm (.063) with a contact protrusion of 2.10 (.083). Other contact lengths are available upon request.

All Data Subject To Change Without Notice

HEADQUARTERS: 13 Pratts Junction Road, P.O. Box 579, Sterling, MA 01564 T:978-422-3600 F:978-422-3700

EUROPE: Rathealy Road, Fermoy Co. Cork, Ireland T:353-(0)25-32277 F:353-(0)25-32296

ASIA/PACIFIC: IDEAL Anderson Asia Pacific Ltd., Unit 922-928 Topsail Plaza, 11 On Sum Street, Shatin N.T., Hong Kong T:852-2636-0836 F:852-2635-9036

CHINA: IDEAL Anderson Technologies (Shenzhen) Ltd., Block A8 Tantou W. Ind. Par, Songgang Baoan District, Shenzhen, P.R. China 51810 T: 86-755-2768-2118 F: 86-755-2768-2218

TAIWAN: IDEAL Anderson Asia Pacific Ltd., Taiwan Branch, 4F.-2, No.116, Dadun 20th St., Situn District, Taichung City 407, Taiwan (R.O.C.) T: 886-4-2310-6451 F:886-4-2310-6460

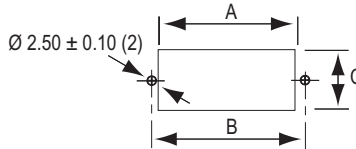
[www.andersonpower.com](http://www.andersonpower.com)

Anderson Power Products PowerMod® series offers multiple mounting options ranging from no mounting hardware, to snap in brackets, to self tapping screws, as well as clam shell housings. This application note details all 13 sizes, configurations and accessories available.



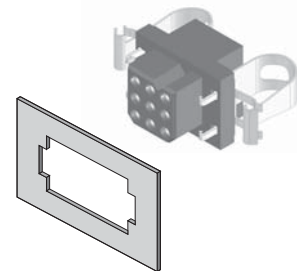
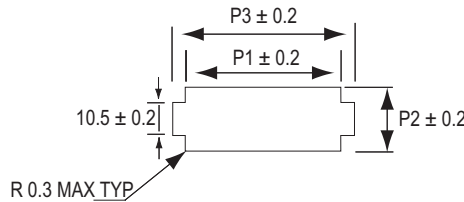
### SCREW MOUNTING

| Connector | -A-           | -B-           | -C-           |
|-----------|---------------|---------------|---------------|
| 1-03      | 16.10 (0.634) | 22.30 (0.878) | 11.00 (0.433) |
| 1-04      | 21.10 (0.831) | 27.30 (1.075) | 11.00 (0.433) |
| 1-06      | 31.10 (1.244) | 37.30 (1.469) | 11.00 (0.433) |
| 1-08      | 41.10 (1.618) | 47.30 (1.862) | 11.00 (0.433) |
| 2-06      | 16.10 (0.634) | 22.30 (0.878) | 16.00 (0.630) |
| 2-08      | 21.10 (0.831) | 27.30 (1.075) | 16.00 (0.630) |
| 2-12      | 31.10 (1.244) | 37.30 (1.469) | 16.00 (0.630) |
| 2-16      | 41.10 (1.618) | 47.30 (1.862) | 16.00 (0.630) |
| 3-09      | 16.10 (0.634) | 22.30 (0.878) | 21.00 (0.827) |
| 3-12      | 21.10 (0.831) | 27.30 (1.075) | 21.00 (0.827) |
| 3-18      | 31.10 (1.244) | 37.30 (1.469) | 21.00 (0.827) |
| 3-24      | 41.10 (1.618) | 47.30 (1.862) | 21.00 (0.827) |
| 3-30      | 51.10 (2.012) | 57.30 (2.256) | 21.00 (0.827) |



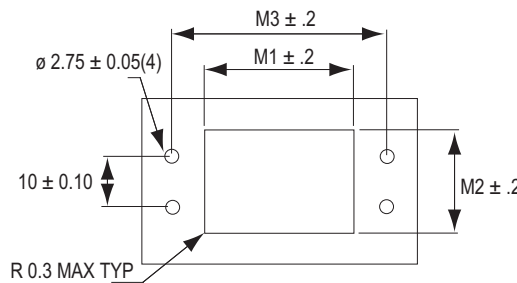
### PANEL CLIP CUT-OUT

| Connector | -P1-        | -P2-        | -P3-        |
|-----------|-------------|-------------|-------------|
| 1-03      | 29.7 (1.17) | 10.8 (0.43) | 40.7 (1.60) |
| 1-04      | 34.7 (1.37) | 10.8 (0.43) | 45.7 (1.80) |
| 1-06      | 44.7 (1.76) | 10.8 (0.43) | 55.7 (2.19) |
| 1-08      | 54.7 (2.15) | 10.8 (0.43) | 65.7 (2.59) |
| 2-06      | 29.7 (1.17) | 15.8 (0.62) | 40.7 (1.60) |
| 2-08      | 34.7 (1.37) | 15.8 (0.62) | 45.7 (1.80) |
| 2-12      | 44.7 (1.76) | 15.8 (0.62) | 55.7 (2.19) |
| 2-16      | 54.7 (2.15) | 15.8 (0.62) | 65.7 (2.59) |
| 3-09      | 29.7 (1.17) | 20.8 (0.82) | 40.7 (1.60) |
| 3-12      | 34.7 (1.37) | 20.8 (0.82) | 45.7 (1.80) |
| 3-18      | 44.7 (1.76) | 20.8 (0.82) | 55.7 (2.19) |
| 3-24      | 54.7 (2.15) | 20.8 (0.82) | 65.7 (2.59) |
| 3-30      | 64.7 (2.55) | 20.8 (0.82) | 75.7 (2.98) |



### MOUNTING CLIP CUT-OUT

| Connector | -M1-        | -M2-        | -M3-        |
|-----------|-------------|-------------|-------------|
| 1-03      | 29.5 (1.16) | 10.5 (0.41) | 42.5 (1.67) |
| 1-04      | 34.5 (1.36) | 10.5 (0.41) | 47.5 (1.87) |
| 1-06      | 44.5 (1.75) | 10.5 (0.41) | 57.5 (2.26) |
| 1-08      | 54.5 (2.15) | 10.5 (0.41) | 67.5 (2.66) |
| 2-06      | 29.5 (1.16) | 15.5 (0.61) | 42.5 (1.67) |
| 2-08      | 34.5 (1.36) | 15.5 (0.61) | 47.5 (1.87) |
| 2-12      | 44.5 (1.75) | 15.5 (0.61) | 57.5 (2.26) |
| 2-16      | 54.5 (2.15) | 15.5 (0.61) | 67.5 (2.66) |
| 3-09      | 29.5 (1.16) | 20.5 (0.81) | 42.5 (1.67) |
| 3-12      | 34.5 (1.36) | 20.5 (0.81) | 47.5 (1.87) |
| 3-18      | 44.5 (1.75) | 20.5 (0.81) | 57.5 (2.26) |
| 3-24      | 54.5 (2.15) | 20.5 (0.81) | 67.5 (2.66) |
| 3-30      | 64.5 (2.54) | 20.5 (0.81) | 77.5 (3.05) |



HEADQUARTERS: 13 Pratts Junction Road, P.O. Box 579, Sterling, MA 01564 T:978-422-3600 F:978-422-3700

EUROPE: Rathealy Road, Fermoy Co. Cork, Ireland T:353-(0)25-32277 F:353-(0)25-32296

ASIA/PACIFIC: IDEAL Anderson Asia Pacific Ltd., Unit 922-928 Topsail Plaza, 11 On Sum Street, Shatin N.T., Hong Kong T:852-2636-0836 F:852-2635-9036

CHINA: IDEAL Anderson Technologies (Shenzhen) Ltd., Block A8 Tantou W. Ind. Par, Songgang Baoan District, Shenzhen, P.R. China 51810 T: 86-755-2768-2118 F: 86-755-2768-2218

TAIWAN: IDEAL Anderson Asia Pacific Ltd., Taiwan Branch, 4F.-2, No.116, Dadun 20th St., Situn District, Taichung City 407, Taiwan (R.O.C.) T: 886-4-2310-6451 F:886-4-2310-6460

[www.andersonpower.com](http://www.andersonpower.com)

## CLAM SHELL HOOD

| Hood | -A-           | -B-           |
|------|---------------|---------------|
| 1-03 | 16.00 (0.630) | 24.00 (0.945) |
| 1-04 | 16.00 (0.630) | 29.00 (1.142) |
| 1-06 | 16.00 (0.630) | 39.00 (1.535) |
| 1-08 | 16.00 (0.630) | 49.00 (1.929) |
| 2-06 | 21.00 (0.827) | 24.00 (0.945) |
| 2-08 | 21.00 (0.827) | 29.00 (1.142) |
| 2-12 | 21.00 (0.827) | 39.00 (1.535) |
| 2-16 | 21.00 (0.827) | 49.00 (1.929) |
| 3-09 | 26.00 (1.023) | 24.00 (0.945) |
| 3-12 | 26.00 (1.023) | 29.00 (1.142) |
| 3-18 | 26.00 (1.023) | 39.00 (1.535) |
| 3-24 | 26.00 (1.023) | 49.00 (1.929) |
| 3-30 | 26.00 (1.023) | 59.00 (2.323) |



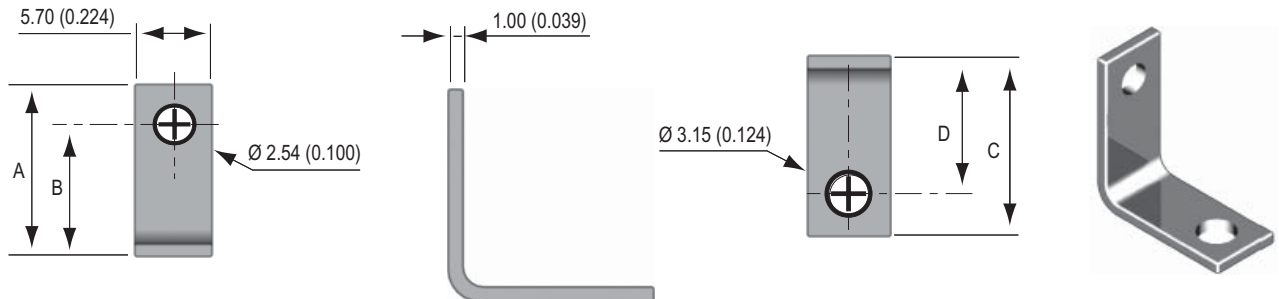
## SNAP-IN BRACKET

|        | -A-           | -B-           | -C-          |
|--------|---------------|---------------|--------------|
| 1 Row  | 8.00 (0.315)  | 6.20 (0.244)  | 9.93 (0.391) |
| 2 Rows | 10.50 (0.413) | 7.70 (0.303)  | 9.93 (0.391) |
| 3 Rows | 12.00 (0.472) | 10.20 (0.402) | 9.93 (0.391) |



## ROUND HOLE BRACKET

|        | -A-           | -B-           | -C-          | -D-          |
|--------|---------------|---------------|--------------|--------------|
| 1 Row  | 8.00 (0.315)  | 6.20 (0.244)  | 12.5 (0.492) | 9.53 (0.375) |
| 2 Rows | 10.50 (0.413) | 7.70 (0.303)  | 12.5 (0.492) | 9.53 (0.375) |
| 3 Rows | 12.00 (0.472) | 10.20 (0.402) | 12.5 (0.492) | 9.53 (0.375) |



All Data Subject To Change Without Notice

HEADQUARTERS: 13 Pratts Junction Road, P.O. Box 579, Sterling, MA 01564 T:978-422-3600 F:978-422-3700

EUROPE: Rathealy Road, Fermoy Co. Cork, Ireland T:353-(0)25-32277 F:353-(0)25-32296

ASIA/PACIFIC: IDEAL Anderson Asia Pacific Ltd., Unit 922-928 Topsail Plaza, 11 On Sum Street, Shatin N.T., Hong Kong T:852-2636-0836 F:852-2635-9036

CHINA: IDEAL Anderson Technologies (Shenzhen) Ltd., Block A8 Tantou W. Ind. Par, Songgang Baoan District, Shenzhen, P.R. China 51810 T: 86-755-2768-2118 F: 86-755-2768-2218

TAIWAN: IDEAL Anderson Asia Pacific Ltd., Taiwan Branch, 4F-2, No.116, Dadun 20th St., Situn District, Taichung City 407, Taiwan (R.O.C.) T: 886-4-2310-6451 F:886-4-2310-6460

[www.andersonpower.com](http://www.andersonpower.com)



## Connector Notes

---

---

---

---

---

---

---

---

*For customer drawings, assembly instructions and individual data sheets, please visit [www.andersonpower.com](http://www.andersonpower.com).*

**HEADQUARTERS:** 13 Pratts Junction Road, P.O. Box 579, Sterling, MA 01564 T:978-422-3600 F:978-422-3700

**EUROPE:** Rathealy Road, Fermoy Co. Cork, Ireland T:353-(0)25-32277 F:353-(0)25-32296

**ASIA/PACIFIC:** IDEAL Anderson Asia Pacific Ltd., Unit 922-928 Topsail Plaza, 11 On Sum Street, Shatin N.T., Hong Kong T:852-2636-0836 F:852-2635-9036

**CHINA:** IDEAL Anderson Technologies (Shenzhen) Ltd., Block A8 Tantou W. Ind. Par, Songgang Baoan District, Shenzhen, P.R. China 51810 T: 86-755-2768-2118 F: 86-755-2768-2218

**TAIWAN:** IDEAL Anderson Asia Pacific Ltd., Taiwan Branch, 4F.-2, No.116, Dadun 20th St., Situn District, Taichung City 407, Taiwan (R.O.C.) T: 886-4-2310-6451 F:886-4-2310-6460

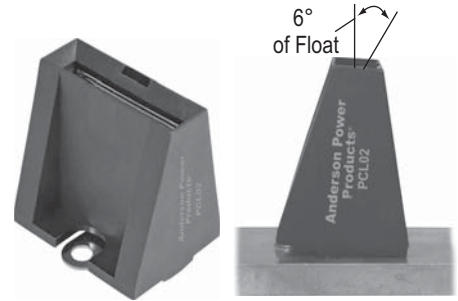
[www.andersonpower.com](http://www.andersonpower.com)



Standard Power Clip



Dual Pole Power Clip



Rocker Power Clip

## FEATURES

- **High 300A current rating**  
*Small size provides dense power packaging*
- **Mates with .125 inches or 3mm flat bus bar blade**  
*Simplifies construction and lowers cost*
- **Hot pluggable contact**  
*Supports hot swapping on 48 volt DC bus*
- **UL and CUR recognized**  
*Product safety and electrical performance has been verified to the highest standards*

## PRODUCT RANGE

### Materials

Housing: Polyester, UL 94 V-0

Contact Band: Beryllium copper alloy per C17200

Plating gold: 0.4 to 0.6 microns over 2 to 5 microns nickel

Contact Holder: Copper alloy C11000

Plating gold: 0.1 to 0.2 microns

### Electrical

Continuous Current Ratings (1):

300 amp maximum, 200 amp @30 °C

Voltage Rating UL & CSA up to 600V (AC/DC)

Hot Plug Ratings(2):

100 amp @48 volts

200 amp @ 42 volts

### Mechanical

Forces:

Insertion (lbs) - 10 to 20 maximum

Extraction (lbs) - 5 to 10 minimum

Mating Cycles:

Normal 500

Hot Plug 250

(1) Ratings using nickel plated tab

(2) Ratings using gold plated, solid copper tab

## PRODUCT INFORMATION

Anderson Power Products® (APP), a leader in power interconnect solutions, offers the Power Clip® connector as part of the diversified family of electrical power connectors. Designed as a low cost interconnection between two perpendicular power bus bars, the Power Clip® is used in "N+1" rectifier, power supply and switching power supply applications.

The high-performance contact of the Power Clip® provides low-voltage drop and superior amperage carrying capability. Because the clip accepts a solid .125 inches or 3mm thick nickel or gold plated rectangular bus bar tab, there is no need for a mating connector.

The Power Clip® has been evaluated to UL1977 and CSA standard C22.2 No. 182.3-M1987 and is rated for up to 300 amps of continuous service. The product is also UL approved for true hot plug current interruption of 100A at 48V and 200A at 42V using a gold bus bar tab.



All Data Subject To Change Without Notice

HEADQUARTERS: 13 Pratts Junction Road, P.O. Box 579, Sterling, MA 01564 T:978-422-3600 F:978-422-3700

EUROPE: Rathealy Road, Fermoy Co. Cork, Ireland T:353-(0)25-32277 F:353-(0)25-32296

ASIA/PACIFIC: IDEAL Anderson Asia Pacific Ltd., Unit 922-928 Topsail Plaza, 11 On Sum Street, Shatin N.T., Hong Kong T:852-2636-0836 F:852-2635-9036

CHINA: IDEAL Anderson Technologies (Shenzhen) Ltd., Block A8 Tantou W. Ind. Par, Songgang Baoan District, Shenzhen, P.R. China 51810 T: 86-755-2768-2118 F: 86-755-2768-2218

TAIWAN: IDEAL Anderson Asia Pacific Ltd., Taiwan Branch, 4F.-2, No.116, Dadun 20th St., Situn District, Taichung City 407, Taiwan (R.O.C.) T: 886-4-2310-6451 F:886-4-2310-6460

[www.andersonpower.com](http://www.andersonpower.com)



The Anderson Power Products Power Clip is designed as a low cost interconnection between two perpendicular power bus bars. The product's high performance contact offers low voltage drop and superior amperage carrying capability. There is no mating connector to the Power Clip as it accepts a solid .125 inches or 3mm thick nickel or gold plated rectangular bus bar tab.

The product is often used in "N+1" rectifier, power supply and switching power supply applications. The Power Clip's design enables the connector to be blind mated in the deepest racks.

The Power Clip is recognized to UL1977 and CSA standard C22.2 and is rated for up to 300 amps continuous service. The product is also UL approved for hot plug current interruption of 100A at 48V and 200A at 42V using a gold plated bus bar tab.

### FEATURES

- **High 300A current rating**  
*Small size provides dense power packaging*
- **Mates with .125 inches or 3mm flat bus bar blade**  
*Simplifies construction and lowers cost*
- **Blind mating design**  
*Allows greater vertical chassis manufacturing tolerances*
- **Hot pluggable contact**  
*Supports hot swapping on 48 volt DC bus*
- **UL and CUR recognized**  
*Product safety and electrical performance has been verified to the highest standards*



### PRODUCT SPECIFICATIONS

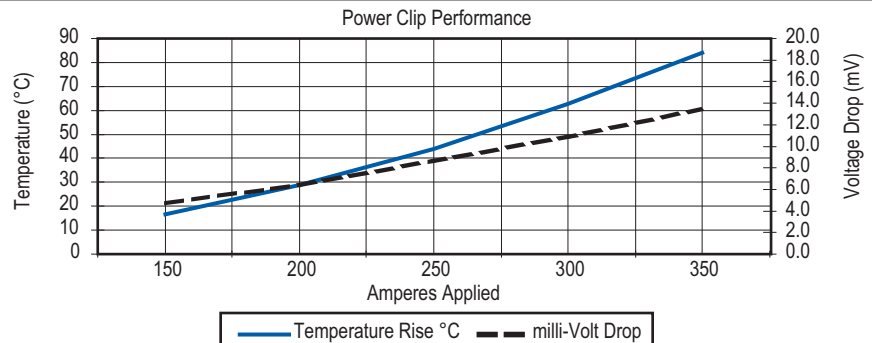
|   |   |
|---|---|
| <p><b>Materials</b></p> <p>Housing: Polyester, UL 94 V-0</p> <p>Contact Band: Beryllium copper alloy per C17200<br/>Plating gold: 0.4 to 0.6 microns over 2 to 5 microns nickel</p> <p>Contact Holder: Copper alloy C11000<br/>Plating gold: 0.1 to 0.2 microns</p> <p><b>Mechanical</b></p> <p>Forces:</p> <ul style="list-style-type: none"> <li>Insertion - 10 lbs maximum</li> <li>Extraction - 5 lbs minimum</li> </ul> <p>Mating Cycles:</p> <ul style="list-style-type: none"> <li>Normal 500</li> <li>Hot Plug 250</li> </ul> | <p><b>Electrical</b></p> <p>Continuous Current Ratings (1):<br/>300 amp maximum, 200 amp @30 °C</p> <p>Voltage Rating<br/>UL up to 600V (AC/DC)<br/>CSA up to 600V (AC/DC)</p> <p>Hot Plug Ratings(2):<br/>100 amp @48 volts<br/>200 amp @ 42 volts</p> <p><small>(1) Ratings using nickel plated tab (2) Ratings using gold plated, solid copper tab</small></p> |
|---|---|

### ORDERING INFORMATION

#### Complete Connector

| Part Number | Description          |
|-------------|----------------------|
| PCL01       | Power Clip Connector |

### TEMPERATURE CHART



The graph shows the Power Clip electrical performance in terms of temperature rise and voltage drop at currents from 150A to 350A. The set up for the test consisted of the following:

- Six Power Clips were mounted on a bus bar that was .25 x 1.75 x 6.0 inches in diameter.
- The test samples were connected in series using 1/0 AWG wire attached to a 1" long and .125" thick nickel plated mating blades.

HEADQUARTERS: 13 Pratts Junction Road, P.O. Box 579, Sterling, MA 01564 T:978-422-3600 F:978-422-3700

EUROPE: Rahealy Road, Fermoy Co. Cork, Ireland T:353-(0)25-32277 F:353-(0)25-32296

ASIA/PACIFIC: IDEAL Anderson Asia Pacific Ltd., Unit 922-928 Topsail Plaza, 11 On Sum Street, Shatin N.T., Hong Kong T:852-2636-0836 F:852-2635-9036

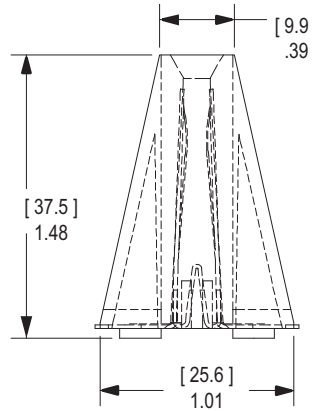
CHINA: IDEAL Anderson Technologies (Shenzhen) Ltd., Block A8 Tantou W. Ind. Par, Songgang Baoan District, Shenzhen, P.R. China 51810 T: 86-755-2768-2118 F: 86-755-2768-2218

TAIWAN: IDEAL Anderson Asia Pacific Ltd., Taiwan Branch, 4F.-2, No.116, Dadun 20th St., Situn District, Taichung City 407, Taiwan (R.O.C.) T: 886-4-2310-6451 F:886-4-2310-6460

[www.andersonpower.com](http://www.andersonpower.com)

## DIMENSIONS

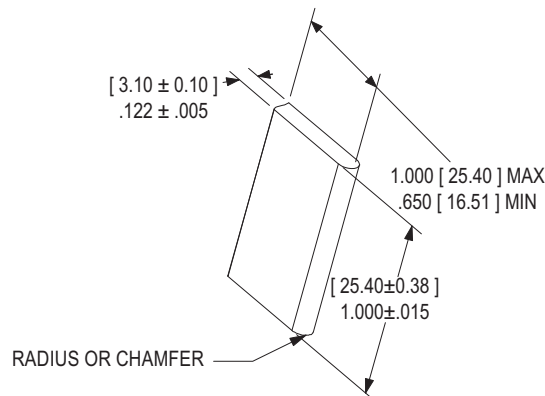
### Side View



### Top View



### Mating Blade



File No. E26226 All Data Subject To Change Without Notice

HEADQUARTERS: 13 Pratts Junction Road, P.O. Box 579, Sterling, MA 01564 T:978-422-3600 F:978-422-3700

EUROPE: Rathealy Road, Fermoy Co. Cork, Ireland T:353-(0)25-32277 F:353-(0)25-32296

ASIA/PACIFIC: IDEAL Anderson Asia Pacific Ltd., Unit 922-928 Topsail Plaza, 11 On Sum Street, Shatin N.T., Hong Kong T:852-2636-0836 F:852-2635-9036

CHINA: IDEAL Anderson Technologies (Shenzhen) Ltd., Block A8 Tantou W. Ind. Par, Songgang Baoan District, Shenzhen, P.R. China 51810 T: 86-755-2768-2118 F: 86-755-2768-2218

TAIWAN: IDEAL Anderson Asia Pacific Ltd., Taiwan Branch, 4F.-2, No.116, Dadun 20th St., Situn District, Taichung City 407, Taiwan (R.O.C.) T: 886-4-2310-6451 F:886-4-2310-6460

[www.andersonpower.com](http://www.andersonpower.com)

The Anderson Power Products Rocker Power Clip is designed as a low cost interconnection between two perpendicular power bus bars. The product's high performance contact offers low voltage drop and superior amperage carrying capability. There is no mating connector to the Rocker Power Clip as it accepts a solid .125 inches or 3mm thick nickel or gold plated rectangular bus bar tab.

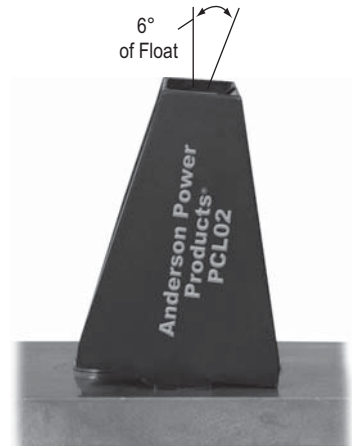
As a result of the Rocker's base, this Power Clip allows for 6 degrees of float, for improved blindmating. The product is often used in "N+1" rectifier, power supply and switching power supply applications. The Rocker Power Clip's design enables the connector to be blind mated in the deepest racks.

The Rocker Power Clip is recognized to UL1977 and CSA standard C22.2 and is rated for up to 300 amps continuous service.

The product is also UL approved for hot plug current interruption of 100A at 48V and 200A at 42V using a gold plated bus bar tab.

### FEATURES

- **High 300A current rating**  
*Small size provides dense power packaging*
- **Mates with .125 inches or 3mm flat bus bar blade**  
*Simplifies construction and lowers cost*
- **Blind mating design**  
*Allows greater vertical chassis manufacturing tolerances*
- **Hot pluggable contact**  
*Supports hot swapping on 48 volt DC bus*
- **UL and CUR recognized**  
*Product safety and electrical performance has been verified to the highest standards*



### PRODUCT SPECIFICATIONS

#### Materials

Housing: Polyester, UL 94 V-0  
 Contact Band: Beryllium copper alloy per C17200  
 Plating gold: 0.4 to 0.6 microns over 2 to 5 microns nickel  
 Contact Holder: Copper alloy C11000  
 Plating gold: 0.1 to 0.2 microns

#### Mechanical

Forces:  
 Insertion - 10 lbs maximum  
 Extraction - 5 lbs minimum  
 Mating Cycles:  
 Normal 500  
 Hot Plug 250

#### Electrical

Continuous Current Ratings (1):  
 300 amp maximum, 200 amp @30 °C  
 Voltage Rating  
 UL up to 600V (AC/DC)  
 CSA up to 600V (AC/DC)  
 Hot Plug Ratings(2):  
 100 amp @48 volts  
 200 amp @ 42 volts

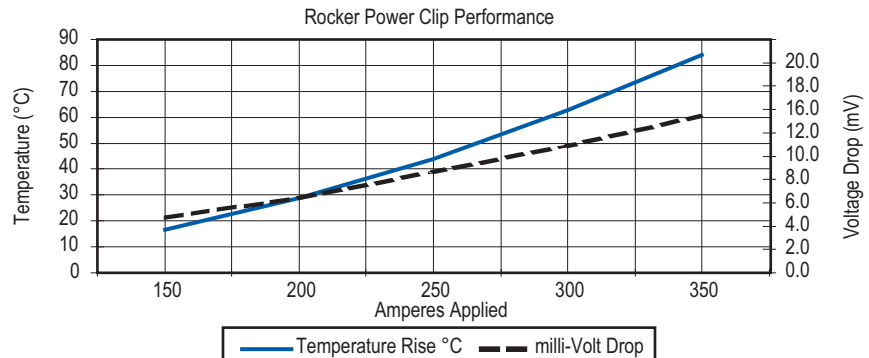
(1) Ratings using nickel plated tab (2) Ratings using gold plated, solid copper tab

### ORDERING INFORMATION

#### Complete Connector

| Part Number | Description          |
|-------------|----------------------|
| PCLO2       | Power Clip Connector |

### TEMPERATURE CHART



The graph shows the Rocker Power Clip electrical performance in terms of temperature rise and voltage drop at currents from 150A to 350A. The set up for the test consisted of the following:

- Six Rocker Power Clips were mounted on a bus bar that was .25 x 1.75 x 6.0 inches in diameter.
- The test samples were connected in series using 1/0 AWG wire attached to a 1" long and .125" thick nickel plated mating blades.

HEADQUARTERS: 13 Pratts Junction Road, P.O. Box 579, Sterling, MA 01564 T:978-422-3600 F:978-422-3700

EUROPE: Rathealy Road, Fermoy Co. Cork, Ireland T:353-(0)25-32277 F:353-(0)25-32296

ASIA/PACIFIC: IDEAL Anderson Asia Pacific Ltd., Unit 922-928 Topsail Plaza, 11 On Sum Street, Shatin N.T., Hong Kong T:852-2636-0836 F:852-2635-9036

CHINA: IDEAL Anderson Technologies (Shenzhen) Ltd., Block A8 Tantou W. Ind. Par, Songgang Baoan District, Shenzhen, P.R. China 51810 T: 86-755-2768-2118 F: 86-755-2768-2218

TAIWAN: IDEAL Anderson Asia Pacific Ltd., Taiwan Branch, 4F.-2, No.116, Dadun 20th St., Situn District, Taichung City 407, Taiwan (R.O.C.) T: 886-4-2310-6451 F:886-4-2310-6460

[www.andersonpower.com](http://www.andersonpower.com)

## DIMENSIONS

### Side View



### Top View



### Mating Blade



All Data Subject To Change Without Notice

HEADQUARTERS: 13 Pratts Junction Road, P.O. Box 579, Sterling, MA 01564 T:978-422-3600 F:978-422-3700

EUROPE: Rathealy Road, Fermoy Co. Cork, Ireland T:353-(0)25-32277 F:353-(0)25-32296

ASIA/PACIFIC: IDEAL Anderson Asia Pacific Ltd., Unit 922-928 Topsail Plaza, 11 On Sum Street, Shatin N.T., Hong Kong T:852-2636-0836 F:852-2635-9036

CHINA: IDEAL Anderson Technologies (Shenzhen) Ltd., Block A8 Tantou W. Ind. Par, Songgang Baoan District, Shenzhen, P.R. China 51810 T: 86-755-2768-2118 F: 86-755-2768-2218

TAIWAN: IDEAL Anderson Asia Pacific Ltd., Taiwan Branch, 4F.-2, No.116, Dadun 20th St., Situn District, Taichung City 407, Taiwan (R.O.C.) T: 886-4-2310-6451 F:886-4-2310-6460

[www.andersonpower.com](http://www.andersonpower.com)

The Anderson Power Products Dual Pole Power Clip is designed as a low cost interconnection between two perpendicular power bus bars. The product's high performance contacts offer low voltage drop and superior amperage carrying capability. There is no mating connector to the Dual Pole Power Clip as it accepts a solid .125 inches or 3mm thick nickel or gold plated rectangular bus bar tab.

The product is often used in "N+1" rectifier, power supply and switching power supply applications. The Dual Pole Power Clip's design enables the connector to be blind mated in the deepest racks.

The Dual Pole design allows for mating to a two pole laminated bus bar or double sided PSB tab. This will allow for feed and return with one single socket.

The Dual Pole Power Clip is recognized to UL1977 and CSA standard C22.2 and is rated for up to 300 amps continuous service.

### FEATURES

- **High 300A current rating**  
*Small size provides dense power packaging*
- **Mates with .125 inches or 3mm flat bus bar blade**  
*Simplifies construction and lowers cost*
- **Blind mating design**  
*Allows greater vertical chassis manufacturing tolerances*
- **UL and CUR recognized**  
*Product safety and electrical performance has been verified to the highest standards*



## PRODUCT SPECIFICATIONS

#### Materials

Housing: Polyester, UL94 V-0  
 Contact Band: Beryllium copper alloy per C17200  
 Plating gold: 0.4 to 0.6 microns over 2 to 5 microns nickel  
 Contact Holder: Copper alloy C11000  
 Plating gold: 0.10 to .02 microns

#### Electrical

Continuous 300 amp maximum  
 Current Ratings <sup>(1)</sup> 200 amp @ 30 °C  
 Ratings <sup>(2)</sup> 200 amp @ 42 volts

#### Mechanical

Forces Insertion 20 lbs maximum  
 Extraction 10 lbs minimum

(1) Ratings using nickel plated tab

(2) Ratings using gold plated, solid copper tab

## ORDERING INFORMATION

### Complete Connector

| Part Number | Description                    |
|-------------|--------------------------------|
| PCLO3       | Dual Pole Power Clip Connector |

HEADQUARTERS: 13 Pratts Junction Road, P.O. Box 579, Sterling, MA 01564 T:978-422-3600 F:978-422-3700

EUROPE: Rathealy Road, Fermoy Co. Cork, Ireland T:353-(0)25-32277 F:353-(0)25-32296

ASIA/PACIFIC: IDEAL Anderson Asia Pacific Ltd., Unit 922-928 Topsail Plaza, 11 On Sum Street, Shatin N.T., Hong Kong T:852-2636-0836 F:852-2635-9036

CHINA: IDEAL Anderson Technologies (Shenzhen) Ltd., Block A8 Tantou W. Ind. Par, Songgang Baoan District, Shenzhen, P.R. China 51810 T: 86-755-2768-2118 F: 86-755-2768-2218

TAIWAN: IDEAL Anderson Asia Pacific Ltd., Taiwan Branch, 4F.-2, No.116, Dadun 20th St., Situn District, Taichung City 407, Taiwan (R.O.C.) T: 886-4-2310-6451 F:886-4-2310-6460

[www.andersonpower.com](http://www.andersonpower.com)

## TEMPERATURE CHART

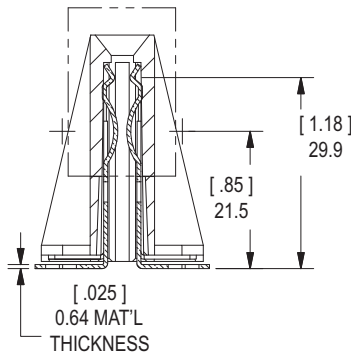


The graph shows the Dual Pole Power Clip electrical performance in terms of temperature rise and voltage drop at currents from 150A to 350A. The set up for the test consisted of the following:

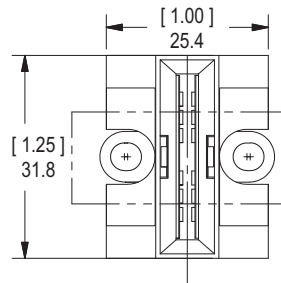
- Six Power Clips were mounted on a bus bar that was .25 x 1.75 x 6.0 inches in diameter.
- The test samples were connected in series using 1/0 AWG wire attached to a 1" long and .125" thick nickel plated mating blades.

## DIMENSIONS

**Side View**



**Top View**



**Mating Blade**





## Connector Notes

---

---

---

---

---

---

---

---

*For customer drawings, assembly instructions and individual data sheets, please visit [www.andersonpower.com](http://www.andersonpower.com).*

**HEADQUARTERS:** 13 Pratts Junction Road, P.O. Box 579, Sterling, MA 01564 T:978-422-3600 F:978-422-3700

**EUROPE:** Rathealy Road, Fermoy Co. Cork, Ireland T:353-(0)25-32277 F:353-(0)25-32296

**ASIA/PACIFIC:** IDEAL Anderson Asia Pacific Ltd., Unit 922-928 Topsail Plaza, 11 On Sum Street, Shatin N.T., Hong Kong T:852-2636-0836 F:852-2635-9036

**CHINA:** IDEAL Anderson Technologies (Shenzhen) Ltd., Block A8 Tantou W. Ind. Par, Songgang Baoan District, Shenzhen, P.R. China 51810 T: 86-755-2768-2118 F: 86-755-2768-2218

**TAIWAN:** IDEAL Anderson Asia Pacific Ltd., Taiwan Branch, 4F.-2, No.116, Dadun 20th St., Situn District, Taichung City 407, Taiwan (R.O.C.) T: 886-4-2310-6451 F:886-4-2310-6460

**[www.andersonpower.com](http://www.andersonpower.com)**

## 65 to 250 Amp Filter Connector Two Pole Male & Female Connector Family

### Features

- Available in a variety of capacitance values

ACARA connector offer excellent EMI suppression to very high frequencies

- Field disconnect with positive latch

ACARA mating and un-mating does not require an electrician. The positive latch mechanism keeps connectors mated.

- Polarized housings with user selective key

Housings only mate one-way preventing reverse polarity. The user selective key can be used to prevent mating of similar ACARA connectors with different ratings.

- Reduces assembly cost and components

The ACARA system reduces wire preparation and crimping up to 80%



### SPECIFICATIONS

| Electrical                     |                   |                 | Mechanical   |                                      |                         |
|--------------------------------|-------------------|-----------------|--|--------------------------------------|-------------------------|
| Current Rating UL 1977, UL1283 |                   | 65 to 250 Amps  | Mating Cycles, UL1977, EN61984   |                                      | 500 cycles              |
|                                | EN61984, EN132400 |                 | Hot Plug (CBC), UL1977, EN61984 (65 & 150)   |                                      | 65 amps                 |
| Capacitance (65 & 150)         |                   | 100 to 600 nF   |  | (150 & 250)                          | 150 amps                |
|                                | (150 & 250)       | 220 to 2100 nF  | Mating/Unmating Force  |                                      | 30 Lbs (134 N) average  |
| Voltage Rating                 | EN132400          | UL 1283         | Contact Retention UL 1977  |                                      | 150 Lbs (670 N) minimum |
| Y2 Capacitors                  | 300 VRMS          | 250 VRMS        | IP Rating EN1984 (65 & 100)  |                                      | 20 unmated (20 mated)   |
| Y4 Capacitors                  | 130 VRMS          | 130 VRMS        |  | (150 & 250)                          | 10 unmated (20 mated)   |
| Impulse Voltage EN132400       | 3000 VDC for 2s   | 1700 VDC for 2s | <b>Materials</b>   |                                      |                         |
| Dielectric Strength            | 5000 volts        |                 | Insulator & Cable Clamp  |                                      | PBT UL94V-0             |
| Voltage Drop                   | <10 millivolts    |                 | Contacts & Ground Plate  |                                      | Copper alloy, tin plate |
| Operating Temperature Range    | -25 to 100C       |                 | Capacitor  |                                      | Wound metallized film   |
| Ambient Temperature Range      | -25 to 60C        |                 | <b>Approvals</b>   |                                      |                         |
|                                |                   |                 |  E26226 | Semko 403269, 403270, 400358, 400363 |                         |

### PRODUCT INFORMATION

Anderson Power Products and Schaffner EMC, leaders in the fields of power interconnect and EMI suppression have partnered to produce the ACARA system of EMI filtered electrical power connectors. ACARA filtered connectors are available in a variety of capacitance values and offer excellent EMI suppression to very high frequencies (6 GHz).

The male filter connector is designed for a fast, error-proof assembly. The female power connector is polarized to the male connector reducing risk of installation error. The optional connector keying further enables the system designer to insure proper site installation.

The ACARA system greatly reduces the number of components and labor required for assembly and installation. The products are certified to all applicable requirements of UL and EN.

All Data Subject To Change Without Notice

HEADQUARTERS: 13 Pratts Junction Road, P.O. Box 579, Sterling, MA 01564 T:978-422-3600 F:978-422-3700

EUROPE: Rathealy Road, Fermoy Co. Cork, Ireland T:353-(0)25-32277 F:353-(0)25-32296

ASIA/PACIFIC: IDEAL Anderson Asia Pacific Ltd., Unit 922-928 Topsail Plaza, 11 On Sum Street, Shatin N.T., Hong Kong T:852-2636-0836 F:852-2635-9036

CHINA: IDEAL Anderson Technologies (Shenzhen) Ltd., Block A8 Tantou W. Ind. Par, Songgang Baoan District, Shenzhen, P.R. China 51810 T: 86-755-2768-2118 F: 86-755-2768-2218

TAIWAN: IDEAL Anderson Asia Pacific Ltd., Taiwan Branch, 4F.-2, No.116, Dadun 20th St., Situn District, Taichung City 407, Taiwan (R.O.C.) T: 886-4-2310-6451 F:886-4-2310-6460

[www.andersonpower.com](http://www.andersonpower.com)



## 65 to 100 Amp Filter Connector Two Pole Male & Female Power Connector

Anderson Power Products and Schaffner EMC, leaders in the fields of power interconnect and EMI suppression have partnered to produce the ACARA system of EMI filtered electrical power connectors. ACARA filtered connectors are available in a variety of capacitance values and offers excellent EMI suppression to very high frequencies (6 GHz).

The male filter connector is designed for a fast, error-proof assembly. The female power connector is polarized to the male connector reducing risk of installation error. The optional connector keying further enables the system designer to insure proper site installation.

The ACARA system greatly reduces the number of components and labor required for assembly and installation. The products are certified to all applicable requirements of UL and EN.

### FEATURES

- **Available in a variety of capacitance values**

*ACARA capacitor/connector offer excellent EMI suppression to very high frequencies*

- **Field disconnect with positive latch**

*ACARA mating and un-mating does not require an electrician. The positive latch mechanism keeps connectors mated.*

- **Polarized housings with user selective key**

*Housings only mate one-way preventing reverse polarity. The user selective key can be used to prevent mating of similar ACARA connectors.*

- **Reduces assembly cost and components**

*The ACARA system reduces wire preparation and crimping up to 80%*



### PRODUCT SPECIFICATIONS

| Electrical                     |                   |                 | Mechanical                      |                         |
|--------------------------------|-------------------|-----------------|---------------------------------|-------------------------|
| Current Rating UL 1977, UL1283 | 65 or 100 Amps    |                 | Mating Cycles, UL1977, EN61984  | 500 cycles              |
|                                | EN61984, EN132400 |                 | Hot Plug (CBC), UL1977, EN61984 | 65 amps                 |
| Capacitance                    | 100 to 600 nF     |                 | Mating/Unmating Force           | 30 Lbs (134 N) average  |
| Voltage Rating                 | EN132400          | UL 1283         | Contact Retention UL 1977       | 150 Lbs (670 N) minimum |
|                                | Y2 Capacitors     | 300 VRMS        | IP Rating EN61984               | 20                      |
|                                | Y4 Capacitors     | 130 VRMS        |                                 |                         |
| Impulse Voltage EN132400       | 3000 VDC for 2s   | 1700 VDC for 2s | <b>Materials</b>                |                         |
| Dielectric Strength            | 5000 volts        |                 | Insulator & Cable Clamp         | PBT UL94 V-0            |
| Voltage Drop                   | <10 millivolts    |                 | Contacts & Ground Plate         | Copper alloy, tin plate |
| Operating Temperature Range    | -25 to 100C       |                 | Capacitor                       | Wound metallized film   |
| Ambient Temperature Range      | -25 to 60C        |                 | <b>Approvals</b>                |                         |
|                                |                   |                 | File No. E26226                 | Semko 403269, 400363    |

### PRODUCT INFORMATION

#### Male Filtered Connector

| Series  | Current | Type | Termination | Capacitance & Voltage Class         |
|---|---------|------|-------------|-------------------------------------|
| AFC   | 100     | -    | F A /       | B0470                               |
| 065   |         |      |             | B0600 for 600 nF class Y4 capacitor |
| 100   |         |      |             | B0470 for 470 nF class Y4 capacitor |
| -   |         |      |             | A0220 for 220 nF class Y2 capacitor |
| Filter  |         |      |             | A0100 for 100 nF class Y2 capacitor |
| A for Bus Bar Termination<br>B for Threaded Post Termination<br>/ |         |      |             |                                     |

#### Female Power Connector

| Series                  | Current | Type | Termination | Wire Size or Length                    |
|-------------------------|---------|------|-------------|--|
| AFC                     | 100     | -    | P C /       | 2 AWG                                  |
| 065                     |         |      |             | 2 AWG for 2 AWG crimp barrel           |
| 100                     |         |      |             | 4 AWG for 4 AWG crimp barrel           |
| -                       |         |      |             | 6 AWG for 6 AWG crimp barrel           |
| Power                   |         |      |             | M35 for 35mm <sup>2</sup> crimp barrel |
| C for Crimp Termination |         |      |             | M25 for 25mm <sup>2</sup> crimp barrel |
| E for Wiring Kit        |         |      |             | M16 for 16mm <sup>2</sup> crimp barrel |
| /                       |         |      |             | 020 for 2 AWG by 2 meter wiring kit    |
|                         |         |      |             | 030 for 2 AWG by 3 meter wiring kit    |
|                         |         |      |             | 050 for 2 AWG by 5 meter wiring kit    |

HEADQUARTERS: 13 Pratts Junction Road, P.O. Box 579, Sterling, MA 01564 T:978-422-3600 F:978-422-3700

EUROPE: Rathealy Road, Fermoy Co. Cork, Ireland T:353-(0)25-32277 F:353-(0)25-32296

ASIA/PACIFIC: IDEAL Anderson Asia Pacific Ltd., Unit 922-928 Topsail Plaza, 11 On Sum Street, Shatin N.T., Hong Kong T:852-2636-0836 F:852-2635-9036

CHINA: IDEAL Anderson Technologies (Shenzhen) Ltd., Block A8 Tantou W. Ind. Par, Songgang Baoan District, Shenzhen, P.R. China 51810 T: 86-755-2768-2118 F: 86-755-2768-2218

TAIWAN: IDEAL Anderson Asia Pacific Ltd., Taiwan Branch, 4F.-2, No.116, Dadun 20th St., Situn District, Taichung City 407, Taiwan (R.O.C.) T: 886-4-2310-6451 F:886-4-2310-6460

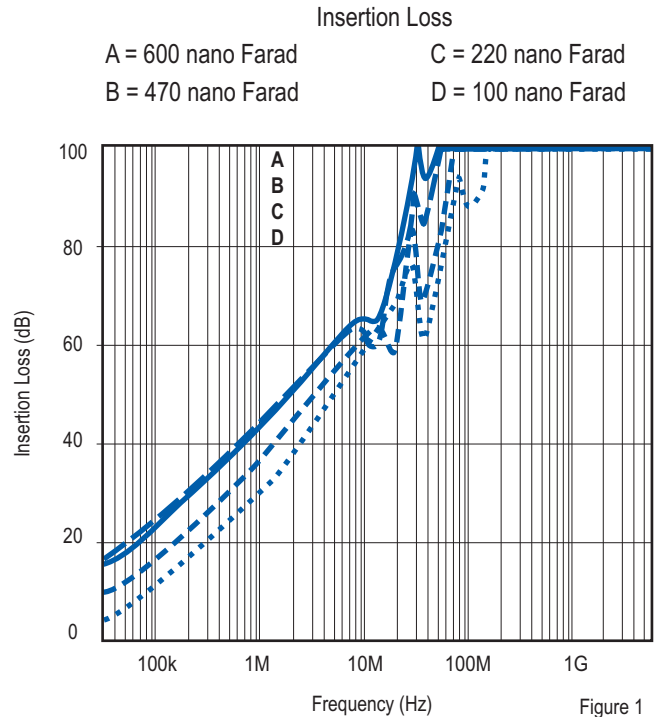
[www.andersonpower.com](http://www.andersonpower.com)

# Two Pole Male Filter & Female Power Connector

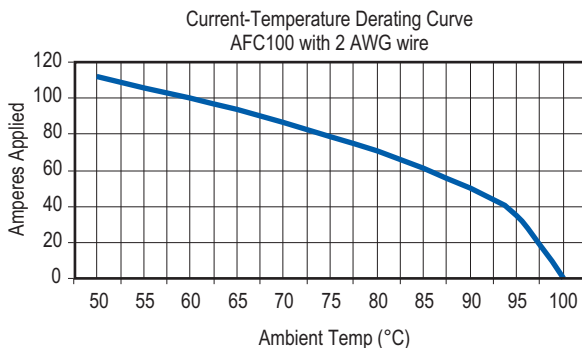
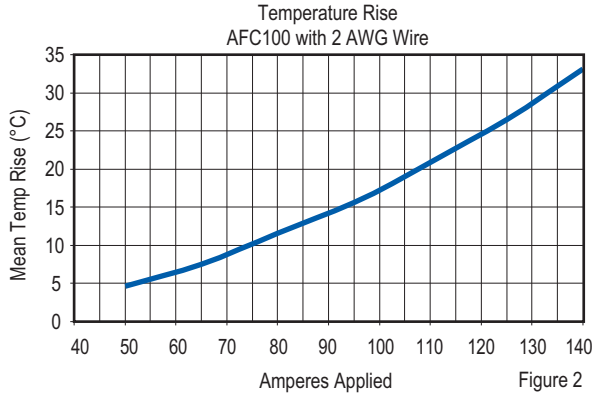
The ACARA male filter connector has a current-carrying conductor passing through the center of each capacitor. This co-axial conductor forms one terminal of the capacitor. The other capacitor terminal is an earthed metal ground-plane which is mounted to the bulkhead plate via the specially designed structural plastic housing and integral EMI gasket. This design feature is common to all ACARA filters and ensures that any radio frequency currents carried on the central conductor are shunted to earth by the capacitor.

Because of the extremely low series inductance resulting from this type of construction, the self-resonant frequency of the ACARA capacitor is very high. Typical frequency response is shown in Figure 1. As frequency increases, the impedance of the feed-through capacitor decreases steadily to provide excellent performance to beyond 6 GHz. Some small resonances can be expected in the performance characteristics of the ACARA capacitor. This is attributable to distributed inductance within the capacitor and can cause its high frequency response to vary slightly from the theoretical.

The ACARA filter connector delivers superior high frequency attenuation, preventing radio frequency emission and protecting sensitive computers, switching and cellular equipment.



## TEMPERATURE CHARTS



The ACARA female power connector is designed for safety and performance. The plastic housing is polarized to the male filter connector preventing the installer from reversing polarity which can result in injury to the installer and severe damage to the system. By using the optional 6 position key, the system designer can further restrict connector mating to insure that ACARA connectors of different capacitance or operating voltage can not be mated at field installation. The positive latch and wire strain relief of the ACARA power connector further enhance the safety of the system. The wire strain relief acts as a secondary mechanism to insure contact retention and it prevents creep of the wire insulation jacket which can expose bare conductor and result in electrical shock. The positive latch prevents accidental un-mating but allows for immediate power disconnect for emergency service or repair.

The patent pending ACARA socket contact offers superior electrical performance, hot mating (hot plug), low insertion forces and high mating durability. The socket contact is employs a high conductivity copper alloy and a steel spring. This design provides superior conductivity and precise contact forces. The amperage performance of the ACARA connector versus temperature is shown in figure 2. The precise contact forces of the ACARA socket contact delivers low mating forces and excellent mating durability. The two sacrificial arms of the ACARA socket contact enables hot plug and disconnect for emergency service or repair.

The combined safety, electrical and mechanical performance of the ACARA system is unique among electrical power connectors.

# 65 to 100 amp Male Filter Connector

## ORDERING INFORMATION

### Male Termination - Bus Bar    Threaded Termination    Bus Bar Contact

| Part Number     | Part Number     | Part Number |
|-----------------|-----------------|-------------|
| AFC065-FA/A0100 | AFC065-FB/A0100 | 2-8486G1    |
| AFC065-FA/A0220 | AFC065-FB/A0220 |             |
| AFC065-FA/B0470 | AFC065-FB/B0470 |             |
| AFC065-FA/B0600 | AFC065-FB/B0600 |             |
| AFC100-FA/A0100 | AFC100-FB/A0100 |             |
| AFC100-FA/A0220 | AFC100-FB/A0220 |             |
| AFC100-FA/B0470 | AFC100-FB/B0470 |             |
| AFC100-FA/B0600 | AFC100-FB/B0600 |             |

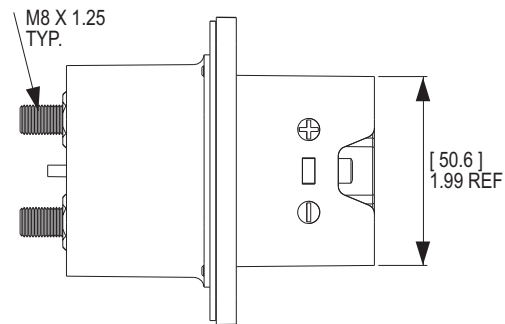


## DIMENSIONS

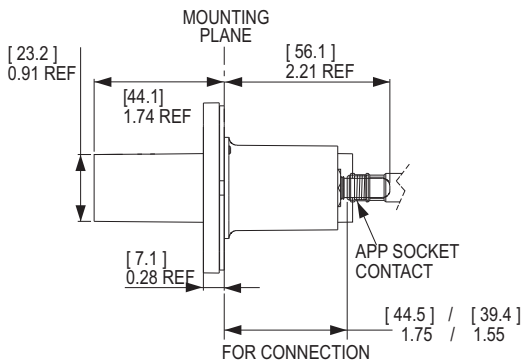
### Top View Bus Bar Disconnect



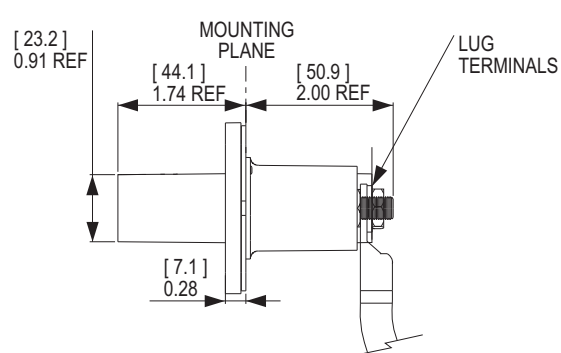
### Top View Threaded



### Side View Bus Bar Disconnect



### Side View Threaded



### Front View



### Panel Mounting\*



\* For detailed dimensions, reference drawing number 3-5846S1 & 3-5846S2

HEADQUARTERS: 13 Pratts Junction Road, P.O. Box 579, Sterling, MA 01564 T:978-422-3600 F:978-422-3700

EUROPE: Rathealy Road, Fermoy Co. Cork, Ireland T:353-(0)25-32277 F:353-(0)25-32296

ASIA/PACIFIC: IDEAL Anderson Asia Pacific Ltd., Unit 922-928 Topsail Plaza, 11 On Sum Street, Shatin N.T., Hong Kong T:852-2636-0836 F:852-2635-9036

CHINA: IDEAL Anderson Technologies (Shenzhen) Ltd., Block A8 Tantou W. Ind. Par, Songgang Baoan District, Shenzhen, P.R. China 51810 T: 86-755-2768-2118 F: 86-755-2768-2218

TAIWAN: IDEAL Anderson Asia Pacific Ltd., Taiwan Branch, 4F.-2, No.116, Dadun 20th St., Situn District, Taichung City 407, Taiwan (R.O.C.) T: 886-4-2310-6451 F:886-4-2310-6460

[www.andersonpower.com](http://www.andersonpower.com)

# 65 to 100 amp Female Power Connector

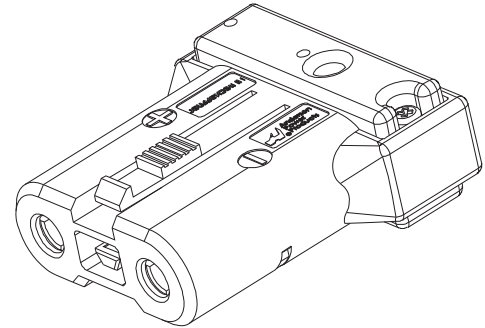
## ORDERING INFORMATION

### Crimp Termination

Part Number  
 AFC065-PC/6AWG  
 AFC065-PC/M16  
 AFC100-PC/2AWG  
 AFC100-PC/4AWG  
 AFC100-PC/M35  
 AFC100-PC/M25

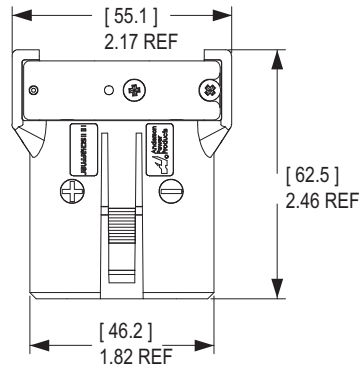
### Pre-wired Termination

Part Number  
 AFC065-PE/020  
 AFC065-PE/030  
 AFC065-PE/050  
 AFC100-PE/020  
 AFC100-PE/030  
 AFC100-PE/050

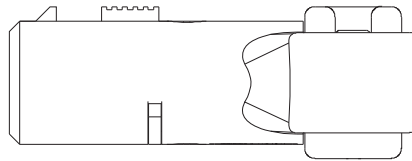


## DIMENSIONS

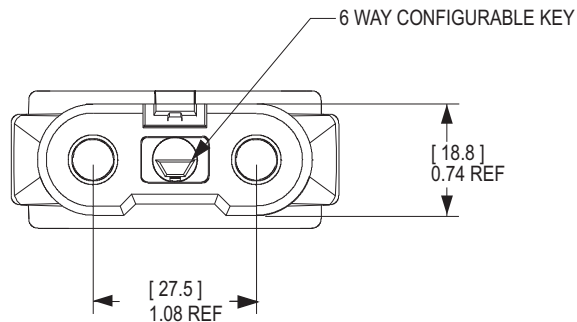
### Top View



### Side View



### Front View



All Data Subject To Change Without Notice

HEADQUARTERS: 13 Pratts Junction Road, P.O. Box 579, Sterling, MA 01564 T:978-422-3600 F:978-422-3700

EUROPE: Rathealy Road, Fermoy Co. Cork, Ireland T:353-(0)25-32277 F:353-(0)25-32296

ASIA/PACIFIC: IDEAL Anderson Asia Pacific Ltd., Unit 922-928 Topsail Plaza, 11 On Sum Street, Shatin N.T., Hong Kong T:852-2636-0836 F:852-2635-9036

CHINA: IDEAL Anderson Technologies (Shenzhen) Ltd., Block A8 Tantou W. Ind. Par, Songgang Baoan District, Shenzhen, P.R. China 51810 T: 86-755-2768-2118 F: 86-755-2768-2218

TAIWAN: IDEAL Anderson Asia Pacific Ltd., Taiwan Branch, 4F.-2, No.116, Dadun 20th St., Situn District, Taichung City 407, Taiwan (R.O.C.) T: 886-4-2310-6451 F:886-4-2310-6460

[www.andersonpower.com](http://www.andersonpower.com)

## 150 to 250 Amp Filter Connector Two Pole Male & Female Power Connector

Anderson Power Products and Schaffner EMC, leaders in the fields of power interconnect and EMI suppression have partnered to produce the ACARA system of EMI filtered electrical power connectors. ACARA filtered connectors are available in a variety of capacitance values and offers excellent EMI suppression to very high frequencies (6 GHz).

The male filter connector is designed for a fast, error-proof assembly. The female power connector is polarized to the male connector reducing risk of installation error. The optional connector keying further enables the system designer to insure proper site installation.

The ACARA system greatly reduces the number of components and labor required for assembly and installation. The products are certified to all applicable requirements of UL and EN.

### FEATURES

- **Available in a variety of capacitance values**

*ACARA capacitor/connector offer excellent EMI suppression to very high frequencies*

- **Field disconnect with positive latch**

*ACARA mating and un-mating does not require an electrician. The positive latch mechanism keeps connectors mated.*

- **Polarized housings with user selective key**

*Housings only mate one-way preventing reverse polarity. The user selective key can be used to prevent mating of similar ACARA connectors.*

- **Reduces assembly cost and components**

*The ACARA system reduces wire preparation and crimping up to 80%*



### PRODUCT SPECIFICATIONS

| Electrical                     |                   |                 | Mechanical                      |                         |
|--------------------------------|-------------------|-----------------|---------------------------------|-------------------------|
| Current Rating UL 1977, UL1283 | 150 or 250 Amps   |                 | Mating Cycles, UL1977, EN61984  | 500 cycles              |
|                                | EN61984, EN132400 |                 | Hot Plug (CBC), UL1977, EN61984 | 150 amps                |
| Capacitance                    | 220 to 2100 nF    |                 | Mating/Unmating Force           | 30 Lbs (134 N) average  |
| Voltage Rating                 | EN132400          | UL 1283         | Contact Retention UL 1977       | 150 Lbs (670 N) minimum |
| Y2 Capacitors                  | 300 VRMS          | 250 VRMS        | IP Rating EN61984               | 10 (20 when mated)      |
| Y4 Capacitors                  | 130 VRMS          | 130 VRMS        | <b>Materials</b>                |                         |
| Impulse Voltage EN132400       | 3000 VDC for 2s   | 1700 VDC for 2s | Insulator & Cable Clamp         | PBT UL94 V-0            |
| Dielectric Strength            | 5000 volts        |                 | Contacts & Ground Plate         | Copper alloy, tin plate |
| Voltage Drop                   | <10 millivolts    |                 | Capacitor                       | Wound metallized film   |
| Operating Temperature Range    | -25 to 100C       |                 | <b>Approvals</b>                |                         |
| Ambient Temperature Range      | -25 to 60C        |                 | US File No. E26226              | Semko 403270, 400358    |

### PRODUCT INFORMATION

#### Male Filtered Connector

| Series   | Current | Type | Termination | Capacitance & Voltage Class          |
|--|---------|------|-------------|--------------------------------------|
| AFC  | 250     | -    | F           | A / B0470                            |
| 150  |         |      |             | B2100 for 2100 nF class Y4 capacitor |
| 250  |         |      |             | B1000 for 1000 nF class Y4 capacitor |
| -  |         |      |             | A0470 for 0470 nF class Y2 capacitor |
| Filter   |         |      |             | A0220 for 0220 nF class Y2 capacitor |
| A for Bus Bar Termination<br>B for Threaded Post Termination |         |      |             |                                      |

#### Female Power Connector

| Series                  | Current | Type | Termination | Wire Size or Length                    |
|-------------------------|---------|------|-------------|--|
| AFC                     | 250     | -    | P           | C / 2AWG                               |
| 150                     |         |      |             | 4/0 for 4/0 crimp barrel               |
| 250                     |         |      |             | 2/0 for 2/0 crimp barrel               |
| -                       |         |      |             | 1/0 for 1/0 crimp barrel               |
| Power                   |         |      |             | M95 for 95mm <sup>2</sup> crimp barrel |
| C for Crimp Termination |         |      |             | M70 for 70mm <sup>2</sup> crimp barrel |
| E for Wiring Kit        |         |      |             | M50 for 50mm <sup>2</sup> crimp barrel |
| /                       |         |      |             | 020 for 4/0 by 2 meter wiring kit      |
|                         |         |      |             | 030 for 4/0 by 3 meter wiring kit      |
|                         |         |      |             | 050 for 4/0 by 5 meter wiring kit      |

HEADQUARTERS: 13 Pratts Junction Road, P.O. Box 579, Sterling, MA 01564 T:978-422-3600 F:978-422-3700

EUROPE: Rathealy Road, Fermoy Co. Cork, Ireland T:353-(0)25-32277 F:353-(0)25-32296

ASIA/PACIFIC: IDEAL Anderson Asia Pacific Ltd., Unit 922-928 Topsail Plaza, 11 On Sum Street, Shatin N.T., Hong Kong T:852-2636-0836 F:852-2635-9036

CHINA: IDEAL Anderson Technologies (Shenzhen) Ltd., Block A8 Tantou W. Ind. Par, Songgang Baoan District, Shenzhen, P.R. China 51810 T: 86-755-2768-2118 F: 86-755-2768-2218

TAIWAN: IDEAL Anderson Asia Pacific Ltd., Taiwan Branch, 4F.-2, No.116, Dadun 20th St., Situn District, Taichung City 407, Taiwan (R.O.C.) T: 886-4-2310-6451 F:886-4-2310-6460

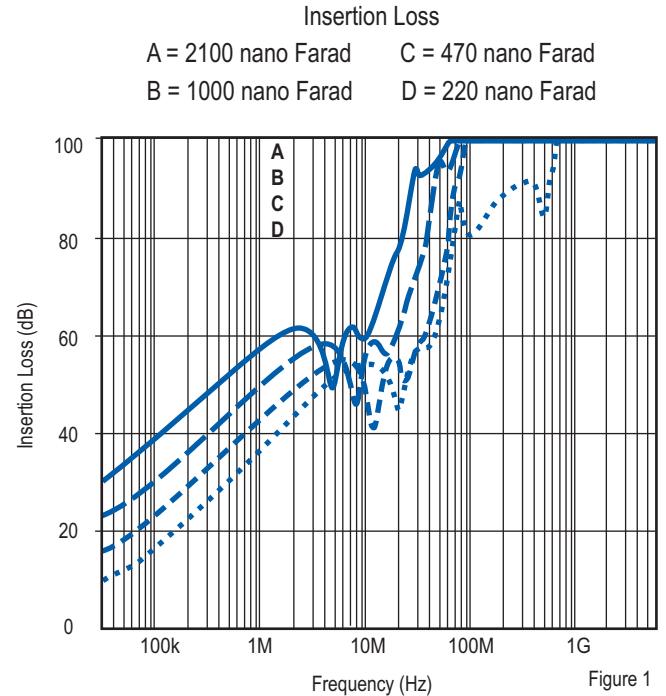
[www.andersonpower.com](http://www.andersonpower.com)

# Two Pole Male Filter & Female Power Connector

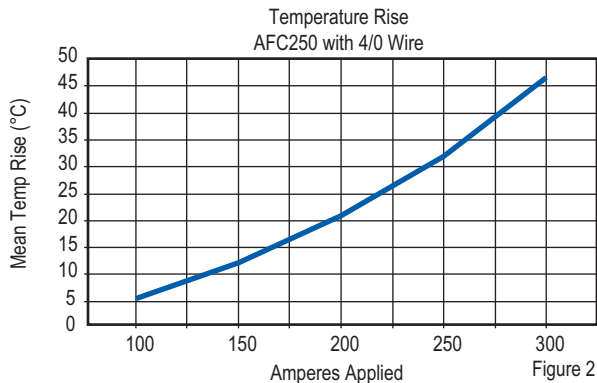
The ACARA male filter connector has a current-carrying conductor passing through the center of each capacitor. This co-axial conductor forms one terminal of the capacitor. The other capacitor terminal is an earthed metal ground-plane which is mounted to the bulkhead plate via the specially designed structural plastic housing and integral EMI gasket. This design feature is common to all ACARA filters and ensures that any radio frequency currents carried on the central conductor are shunted to earth by the capacitor.

Because of the extremely low series inductance resulting from this type of construction, the self-resonant frequency of the ACARA capacitor is very high. Typical frequency response is shown in Figure 1. As frequency increases, the impedance of the feed-through capacitor decreases steadily to provide excellent performance to beyond 6 GHz. Some small resonances can be expected in the performance characteristics of the ACARA capacitor. This is attributable to distributed inductance within the capacitor and can cause its high frequency response to vary slightly from the theoretical.

The ACARA filter connector delivers superior high frequency attenuation, preventing radio frequency emission and protecting sensitive computers, switching and cellular equipment.



## TEMPERATURE CHARTS



The ACARA female power connector is designed for safety and performance. The plastic housing is polarized to the male filter connector preventing the installer from reversing polarity which can result in injury to the installer and severe damage to the system. By using the optional 6 position key, the system designer can further restrict connector mating to insure that ACARA connectors of different capacitance or operating voltage can not be mated at field installation. The positive latch and wire strain relief of the ACARA power connector further enhance the safety of the system. The wire strain relief acts as a secondary mechanism to insure contact retention and it prevents creep of the wire insulation jacket which can expose bare conductor and result in electrical shock. The positive latch prevents accidental un-mating but allows for immediate power disconnect for emergency service or repair.

The patent pending ACARA socket contact offers superior electrical performance, hot mating (hot plug), low insertion forces and high mating durability. The socket contact is employs a high conductivity copper alloy and a steel spring. This design provides superior conductivity and precise contact forces. The amperage performance of the ACARA connector versus temperature is shown in figure 2. The precise contact forces of the ACARA socket contact delivers low mating forces and excellent mating durability. The two sacrificial arms of the ACARA socket contact enables hot plug and disconnect for emergency service or repair.

The combined safety, electrical and mechanical performance of the ACARA system is unique among electrical power connectors.

# 150 to 250 amp Male Filter Connector

## ORDERING INFORMATION

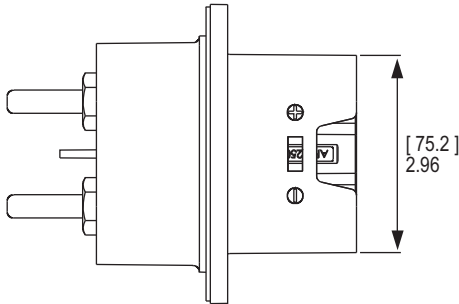
### Male Termination - Bus Bar    Threaded Termination    Bus Bar Contact

| Part Number     | Part Number     | Part Number |
|-----------------|-----------------|-------------|
| AFC150-FA/A0220 | AFC150-FB/A0220 | 2-8486G2    |
| AFC150-FA/A0470 | AFC150-FB/A0470 |             |
| AFC150-FA/B1000 | AFC150-FB/B1000 |             |
| AFC150-FA/B2100 | AFC150-FB/B2100 |             |
| AFC250-FA/A0220 | AFC250-FB/A0220 |             |
| AFC250-FA/A0470 | AFC250-FB/A0470 |             |
| AFC250-FA/B1000 | AFC250-FB/B1000 |             |
| AFC250-FA/B2100 | AFC250-FB/B2100 |             |

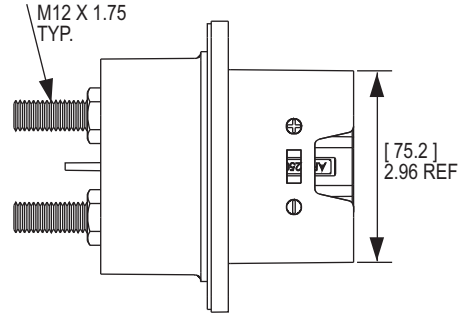


## DIMENSIONS

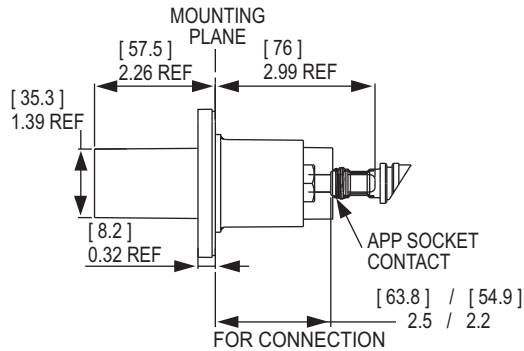
### Top View Bus Bar Disconnect



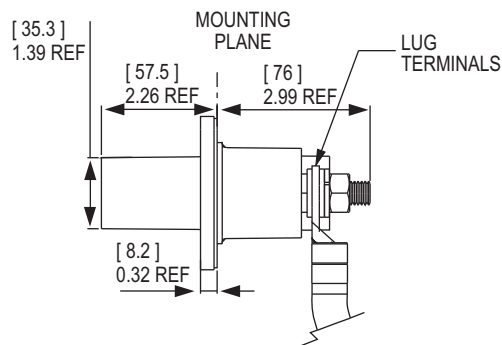
### Top View Threaded



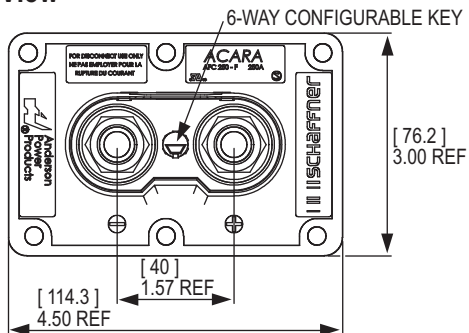
### Side View Bus Bar Disconnect



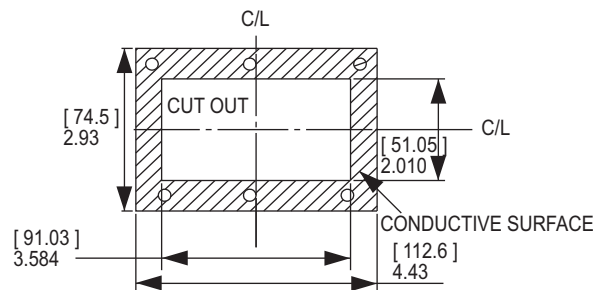
### Side View Threaded



### Front View



### Panel Mounting\*



\* For detailed dimensions, reference drawing number 3-5849S1 & 3-5849S2

HEADQUARTERS: 13 Pratts Junction Road, P.O. Box 579, Sterling, MA 01564 T:978-422-3600 F:978-422-3700

EUROPE: Rathealy Road, Fermoy Co. Cork, Ireland T:353-(0)25-32277 F:353-(0)25-32296

ASIA/PACIFIC: IDEAL Anderson Asia Pacific Ltd., Unit 922-928 Topsail Plaza, 11 On Sum Street, Shatin N.T., Hong Kong T:852-2636-0836 F:852-2635-9036

CHINA: IDEAL Anderson Technologies (Shenzhen) Ltd., Block A8 Tantou W. Ind. Par, Songgang Baoan District, Shenzhen, P.R. China 51810 T: 86-755-2768-2118 F: 86-755-2768-2218

TAIWAN: IDEAL Anderson Asia Pacific Ltd., Taiwan Branch, 4F.-2, No.116, Dadun 20th St., Situn District, Taichung City 407, Taiwan (R.O.C.) T: 886-4-2310-6451 F:886-4-2310-6460

[www.andersonpower.com](http://www.andersonpower.com)

# 150 to 250 amp Female Power Connector

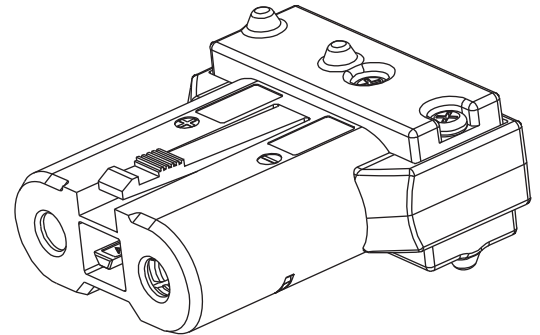
## ORDERING INFORMATION

### Crimp Termination

Part Number  
 AFC150-PC/1/0  
 AFC150-PC/M50  
 AFC250-PC/4/0  
 AFC250-PC/2/0  
 AFC250-PC/M95  
 AFC250-PC/M70

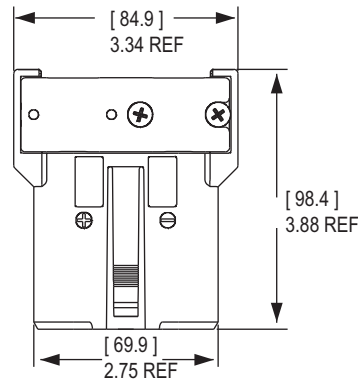
### Pre-wired Termination

Part Number  
 AFC150-PE/020  
 AFC150-PE/030  
 AFC150-PE/050  
 AFC250-PE/020  
 AFC250-PE/030  
 AFC250-PE/050

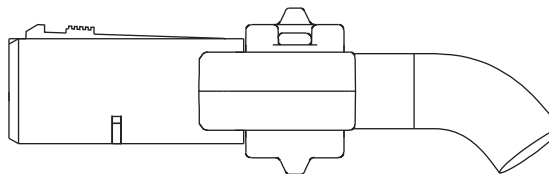


## DIMENSIONS

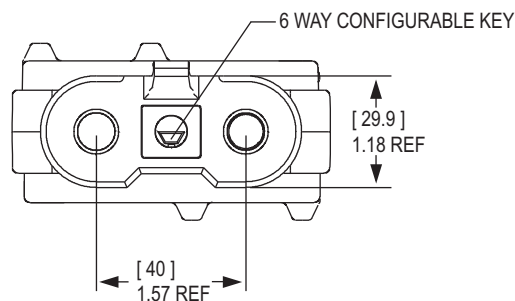
### Top View



### Side View



### Front View



All Data Subject To Change Without Notice

HEADQUARTERS: 13 Pratts Junction Road, P.O. Box 579, Sterling, MA 01564 T:978-422-3600 F:978-422-3700

EUROPE: Rahealy Road, Fermoy Co. Cork, Ireland T:353-(0)25-32277 F:353-(0)25-32296

ASIA/PACIFIC: IDEAL Anderson Asia Pacific Ltd., Unit 922-928 Topsail Plaza, 11 On Sum Street, Shatin N.T., Hong Kong T:852-2636-0836 F:852-2635-9036

CHINA: IDEAL Anderson Technologies (Shenzhen) Ltd., Block A8 Tantou W. Ind. Par, Songgang Baoan District, Shenzhen, P.R. China 51810 T: 86-755-2768-2118 F: 86-755-2768-2218

TAIWAN: IDEAL Anderson Asia Pacific Ltd., Taiwan Branch, 4F.-2, No.116, Dadun 20th St., Situn District, Taichung City 407, Taiwan (R.O.C.) T: 886-4-2310-6451 F:886-4-2310-6460



## CONVERSION CHART FOR AMERICAN WIRE GAUGE TO METRIC SYSTEM

| AWG Size | Metric mm <sup>2</sup> | Circ. Mils | Equivalent Circ.Mils | Approximate Wire Diameter in. | Approximate Wire Diameter mm |
|----------|------------------------|------------|----------------------|-------------------------------|------------------------------|
| -        | 0.5                    | -          | 937                  | 0.032                         | 0.81                         |
| 20       | -                      | 1020       | -                    | 0.036                         | 0.91                         |
| -        | 0.75                   | -          | 1480                 | 0.039                         | 0.99                         |
| 18       | -                      | 1620       | -                    | 0.046                         | 1.16                         |
| -        | 1                      | -          | 1974                 | 0.051                         | 1.30                         |
| 16       | -                      | 2580       | -                    | 0.051                         | 1.29                         |
| -        | 1.5                    | -          | 2960                 | 0.063                         | 1.60                         |
| 14       | -                      | 4110       | -                    | 0.073                         | 1.84                         |
| -        | 2.5                    | -          | 4934                 | 0.081                         | 2.06                         |
| 12       | -                      | 6530       | -                    | 0.092                         | 2.32                         |
| -        | 4                      | -          | 7894                 | 0.102                         | 2.59                         |
| 10       | -                      | 10380      | -                    | 0.116                         | 2.93                         |
| -        | 6                      | -          | 11840                | 0.126                         | 3.21                         |
| 8        | -                      | 16510      | -                    | 0.146                         | 3.70                         |
| -        | 10                     | -          | 19740                | 0.162                         | 4.12                         |
| 6        | -                      | 26240      | -                    | 0.184                         | 4.66                         |
| -        | 16                     | -          | 31580                | 0.204                         | 5.18                         |
| 4        | -                      | 41740      | -                    | 0.232                         | 5.88                         |
| -        | 25                     | -          | 49340                | 0.260                         | 6.60                         |
| 2        | -                      | 66360      | -                    | 0.292                         | 7.42                         |
| -        | 35                     | -          | 69070                | 0.305                         | 7.75                         |
| 1        | -                      | 83690      | -                    | 0.332                         | 9.43                         |
| -        | 50                     | -          | 98680                | 0.365                         | 9.27                         |

| AWG Size | Metric mm <sup>2</sup> | Circ. Mils | Equivalent Circ.Mils | Approximate Wire Diameter in. | Approximate Wire Diameter mm |
|----------|------------------------|------------|----------------------|-------------------------------|------------------------------|
| 1/0      | -                      | 106mcm*    | -                    | 0.373                         | 9.46                         |
| 2/0      | -                      | 133mcm*    | -                    | 0.419                         | 10.60                        |
| -        | 70                     | -          | 138.1mcm             | 0.430                         | 10.90                        |
| 3/0      | -                      | 168mcm*    | -                    | 0.471                         | 12.00                        |
| -        | 95                     | -          | 187.5mcm             | 0.504                         | 12.80                        |
| 4/0      | -                      | 212mcm*    | -                    | 0.528                         | 13.40                        |
| -        | 120                    | -          | 237.8mcm             | 0.567                         | 14.40                        |
| -        | -                      | 250mcm     | -                    | 0.575                         | 14.60                        |
| -        | 150                    | 300mcm     | -                    | 0.630                         | 16.00                        |
| -        | -                      | 350mcm     | -                    | 0.681                         | 17.30                        |
| -        | 185                    | -          | 365.1mcm             | 0.700                         | 17.80                        |
| -        | -                      | 400mcm     | -                    | 0.728                         | 18.50                        |
| -        | 240                    | -          | 473.6mcm             | 0.801                         | 20.30                        |
| -        | -                      | 500mcm     | -                    | 0.814                         | 20.70                        |
| -        | 300                    | -          | 592.1mcm             | 0.891                         | 22.60                        |
| -        | -                      | 600mcm     | -                    | 0.893                         | 22.70                        |
| -        | -                      | 700mcm     | -                    | 0.964                         | 24.50                        |
| -        | -                      | 750mcm     | -                    | 0.999                         | 25.40                        |
| -        | 400                    | -          | 789.4mcm             | 1.026                         | 26.10                        |
| -        | -                      | 800mcm     | -                    | 1.032                         | 26.20                        |
| -        | 500                    | -          | 986.8mcm             | 1.152                         | 29.30                        |
| -        | -                      | 1000mcm    | -                    | 1.153                         | 29.30                        |
| -        | 625                    | -          | 1233.7mcm            | 1.287                         | 32.70                        |

\* Rounded for simplicity

All Data Subject To Change Without Notice

HEADQUARTERS: 13 Pratts Junction Road, P.O. Box 579, Sterling, MA 01564 T:978-422-3600 F:978-422-3700

EUROPE: Rathealy Road, Fermoy Co. Cork, Ireland T:353-(0)25-32277 F:353-(0)25-32296

ASIA/PACIFIC: IDEAL Anderson Asia Pacific Ltd., Unit 922-928 Topsail Plaza, 11 On Sum Street, Shatin N.T., Hong Kong T:852-2636-0836 F:852-2635-9036

CHINA: IDEAL Anderson Technologies (Shenzhen) Ltd., Block A8 Tantou W. Ind. Par, Songgang Baoan District, Shenzhen, P.R. China 51810 T: 86-755-2768-2118 F: 86-755-2768-2218

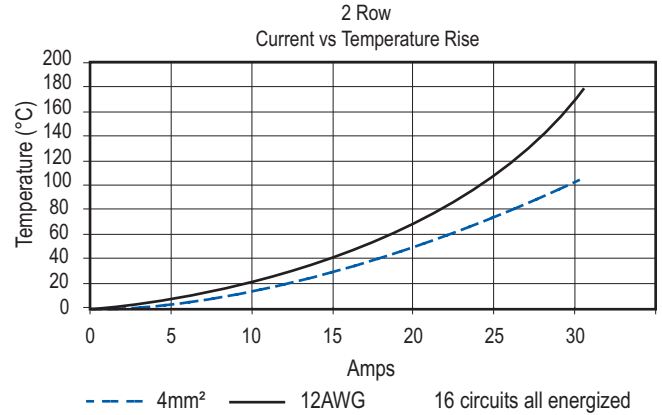
TAIWAN: IDEAL Anderson Asia Pacific Ltd., Taiwan Branch, 4F.-2, No.116, Dadun 20th St., Situn District, Taichung City 407, Taiwan (R.O.C.) T: 886-4-2310-6451 F:886-4-2310-6460

[www.andersonpower.com](http://www.andersonpower.com)

## TEMPERATURE RISE & TEMPERATURE DE-RATING

### A) Reading the Chart

Temperature rise charts show the associated heat rise as a result of applied current to the connector. Heat rise is expressed as a  $T^{\circ}\text{C}$ .  $T_{\text{ambient}} - T_{\text{(maximum w/ applied current)}} = T$ . The chart on the right shows the heat rise curve for the PM216XXX connector. Separate curves are shown for #12 AWG and 4mm<sup>2</sup> wire. Interpreting the curves, if 30 amps is applied continuously to the connector, the heat rise will be 160°C for #12, 85°C for 4mm<sup>2</sup> wire.



### B) Ambients and Maximum Operating Temperature

Connector devices are rated or derated by the wiring configuration and the environment. Factors to be considered are the wire enclosure characteristics, connector housing and wire insulation characteristics, the number of wires in an enclosed area such as a raceway, and the ambient operating temperatures. The housing and wire insulation limits are specified by UL and are the limiting factor in determining the suitability of an application. The following guidelines should be met:  $T^{\circ}\text{C (ambient)} + T^{\circ}\text{C (at applied current)} < T^{\circ}\text{C (connector)}$  and  $T^{\circ}\text{C (wire insulation)}$  where  $T^{\circ}\text{C (connector)} = \text{temperature limit of the connector housing}$  and  $T^{\circ}\text{C (wire insulation)} = \text{the temperature limit of the wire insulation}$ .

The connector housing and wire insulation operating temperature limits are specified by the manufacturer and often recognized by safety agencies; UL, CSA, TUV, Etc. These limits often determine the suitability of connector and wire selection for an application. To determine suitability of an application the operating temperature limits of both the connector housing and the wire insulation should be less than the sum of the ambient temperature,  $T^{\circ}\text{C ambient} + T^{\circ}\text{C ratings}$ , operating temperature ratings for connector and wire.

This calculation can be determined for individual connectors and wire sizes and expressed as a Temperature De-rating Chart (shown at right). Interpreting the curves, using a 12AWG wire in a 60°C ambient condition the maximum applied current for the connector would be 28 amps. This is the maximum allowable current for the connector in the conditions of this application. Further de-rating may be desirable to meet temperature limitations of the wire insulation or temperature limitations of the greater electronic systems.



All Data Subject To Change Without Notice

HEADQUARTERS: 13 Pratts Junction Road, P.O. Box 579, Sterling, MA 01564 T:978-422-3600 F:978-422-3700

EUROPE: Rahealy Road, Fermoy Co. Cork, Ireland T:353-(0)25-32277 F:353-(0)25-32296

ASIA/PACIFIC: IDEAL Anderson Asia Pacific Ltd., Unit 922-928 Topsail Plaza, 11 On Sum Street, Shatin N.T., Hong Kong T:852-2636-0836 F:852-2635-9036

CHINA: IDEAL Anderson Technologies (Shenzhen) Ltd., Block A8 Tantou W. Ind. Par, Songgang Baoan District, Shenzhen, P.R. China 51810 T: 86-755-2768-2118 F: 86-755-2768-2218

TAIWAN: IDEAL Anderson Asia Pacific Ltd., Taiwan Branch, 4F.-2, No.116, Dadun 20th St., Situn District, Taichung City 407, Taiwan (R.O.C.) T: 886-4-2310-6451 F:886-4-2310-6460

[www.andersonpower.com](http://www.andersonpower.com)

## **Applicator**

A semi-automatic termination machine consisting of an upper and lower half that is used to crimp contacts onto wire. Used in conjunction with an electrical/mechanical press.

## **AWG**

American Wire Gauge. A standard system for designating wire diameters.

## **Contact Resistance**

The electrical resistance of metallic surfaces at their interface in the contact area under specified conditions when carrying a specified test current.

## **Contact Retention**

Minimum axial load in either direction which a contact must withstand while remaining firmly fixed in its normal position within a housing.

## **Crimp Retention**

The axial load which a contact can withstand without separation from the wire.

## **Crimp Termination**

A connection in which a metal sleeve is secured to a conductor by mechanically deforming the sleeve with presses or automated crimping machines, eliminating the need for solder. Suitable for all wire types.

## **Cycle Controlled**

To determine if repetitive on/off conditions result in degrading the contact system which may lead to failures such as “thermal run away”.

## **Dielectric Strength (Withstanding Voltage)**

The highest potential difference (voltage) that an insulation material of given thickness can withstand for a specified time without occurrence of electrical breakdown through its bulk.

## **Finger Proof**

A connector intended for usage external to the end equipment shall have live parts protected against exposure to contact by persons when assembled, installed, and mated as intended, as determined by UL Articulated probe.

## **Flammability**

The measure of a material's ability to support combustion. Often tested per UL94.

## **Heat Rise**

Temperature rise associated with the electrical load applied to a mated connection.

## **Hot Plug**

Live connector insertion/extractions in battery pack installations.

## **Insulation Resistance**

Ratio of applied voltage to the total current between the two electrodes in contact with a specific insulation.

## **Locator**

Device for positioning contacts into crimping dies.

## **Make First/Break Last (Sequencing)**

Protective measure against excess currents, short circuits, and ground faults by contacts used to interrupt the fault current flow before connector mating.

## **Operating Temperature Range**

Connector temperature rating established by materials used – plastic, finish, and the base metal. Applying an electrical load will result in a temperature rise that is additive to the operating ambient.

## **Polarization**

A technique of eliminating symmetry so that parts may only be mated one way.

## **Pulse (Surge) Current**

Highest instantaneous current that will run through a system.

## **Strain Relief**

A means of termination or installation that reduces the transfer of mechanical stress from the conductor.

## **Termination**

Means of joining contacts to a conductor.

| PART NUMBER     | PAGE  | PART NUMBER     | PAGE                           | PART NUMBER | PAGE | PART NUMBER  | PAGE       | PART NUMBER  | PAGE       |
|-----------------|---|-----------------|--------------------------------|-------------|------|--------------|------------|--------------|------------|
| 035LDAP         | 44, 48  | AFC150-FA/B1000 | 94                             | PM103FRAOOO | 54   | PM106FRALOO  | 54         | PM16P1620B30 | 56, 64, 72 |
| 035LDAS         | 44, 49  | AFC150-FA/B2100 | 94                             | PM103FRAOSB | 54   | PM106FRALSB  | 54         | PM16P1620C30 | 56, 64, 72 |
| 035LDBP         | 44, 48  | AFC150-FB/A0220 | 94                             | PM103MBALOO | 59   | PM106FRAOHB  | 54         | PM16P1620S30 | 56, 64, 72 |
| 035LDBS         | 44, 49  | AFC150-FB/A0470 | 94                             | PM103MBALSP | 59   | PM106FRAOOO  | 54         | PM16P2024A30 | 56, 64, 72 |
| 035LDCP         | 44, 48  | AFC150-FB/B1000 | 94                             | PM103MBALST | 59   | PM106FRAOSB  | 54         | PM16P2024B30 | 56, 64, 72 |
| 035LDCS         | 44, 49  | AFC150-FB/B2100 | 94                             | PM103MBAOOO | 59   | PM106MBALOO  | 59         | PM16P2024C30 | 56, 64, 72 |
| 075MPF          | 46, 48  | AFC150-PC/1/0   | 95                             | PM103MBAOSP | 59   | PM106MBALSP  | 59         | PM16P2024S30 | 56, 64, 72 |
| 075MSF          | 46, 49  | AFC150-PC/M50   | 95                             | PM103MBAOST | 59   | PM106MBALST  | 59         | PM16S12S32   | 52, 60, 68 |
| 075MSP          | 46, 49  | AFC150-PE/020   | 95                             | PM103MOOLCH | 57   | PM106MBAOOO  | 59         | PM16S1416S32 | 52, 60, 68 |
| 100G1           | 45  | AFC150-PE/030   | 95                             | PM103MOOLMC | 57   | PM106MBAOSP  | 59         | PM16S1620S32 | 52, 60, 68 |
| 100G2           | 47  | AFC150-PE/050   | 95                             | PM103MOOLOO | 57   | PM106MBAOST  | 59         | PM16S2024S32 | 52, 60, 68 |
| 1303G8          | 25, 27, 29, 31, 33, 35, 37, 39, 41                                  | AFC250-FA/A0220 | 94                             | PM103MOOLPC | 57   | PM106MOOLCH  | 57         | PM206FBALOO  | 63         |
| 1304G19         | 5, 7, 9, 11, 13, 15, 17, 19, 21                                     | AFC250-FA/A0470 | 94                             | PM103MOOLSC | 57   | PM106MOOLMC  | 57         | PM206FBALSP  | 63         |
| 1304G22         | 29, 31, 37  | AFC250-FA/B1000 | 94                             | PM103MRALHB | 58   | PM106MOOLOO  | 57         | PM206FBALST  | 63         |
| 1304G23         | 25, 27, 31, 33, 35, 39, 41  | AFC250-FA/B2100 | 94                             | PM103MRALOO | 58   | PM106MOOLPC  | 57         | PM206FBAOOO  | 63         |
| 1304G24         | 29, 31, 37  | AFC250-FB/A0220 | 94                             | PM103MRALSB | 58   | PM106MOOLSC  | 57         | PM206FBAOSP  | 63         |
| 1304G25         | 25, 27, 31, 33, 35, 39, 41  | AFC250-FB/A0470 | 94                             | PM103MRAOHB | 58   | PM106MRALHB  | 58         | PM206FBAOST  | 63         |
| 1322G1          | 25, 27, 29, 31, 33, 35, 37, 39, 41                                  | AFC250-FB/B1000 | 94                             | PM103MRAOOO | 58   | PM106MRALOO  | 58         | PM206FOOLCH  | 61         |
| 1322G10         | 5, 7, 9, 11, 13, 15, 17, 19, 21                                     | AFC250-FB/B2100 | 94                             | PM103MRAOSB | 58   | PM106MRALSB  | 58         | PM206FOOLMC  | 61         |
| 1322G11         | 5, 7, 9, 11, 13, 15, 17, 19, 21                                     | AFC250-PC/2/0   | 95                             | PM104FBALOO | 55   | PM106MRAOHB  | 58         | PM206FOOLOO  | 61         |
| 1322G13         | 25, 27, 29, 31, 33, 35, 37, 39, 41                                  | AFC250-PC/4/0   | 95                             | PM104FBALSP | 55   | PM106MRAOOO  | 58         | PM206FOOLPC  | 61         |
| 1322G14         | 25, 27, 29, 31, 33, 35, 37, 39, 41                                  | AFC250-PC/M70   | 95                             | PM104FBALST | 55   | PM106MRAOSB  | 58         | PM206FOOLSC  | 61         |
| 1322G3          | 25, 27, 29, 31, 33, 35, 37, 39, 41                                  | AFC250-PC/M95   | 95                             | PM104FBAOOO | 55   | PM108FBALOO  | 55         | PM206FRALHB  | 62         |
| 1322G7          | 5, 7, 9, 11, 13, 15, 17, 19, 21                                     | AFC250-PE/020   | 95                             | PM104FBAOSP | 55   | PM108FBALSP  | 55         | PM206FRALOO  | 62         |
| 1322G8          | 5, 7, 9, 11, 13, 15, 17, 19, 21                                     | AFC250-PE/030   | 95                             | PM104FBAOST | 55   | PM108FBALST  | 55         | PM206FRALSB  | 62         |
| 1322G9          | 5, 7, 9, 11, 13, 15, 17, 19, 21                                     | AFC250-PE/050   | 95                             | PM104FOOLCH | 53   | PM108FBAOOO  | 55         | PM206FRAOHB  | 62         |
| 1368            | 25, 27, 29, 31, 33, 35, 37, 39, 41                                  | FMS6-32         | 44, 46, 49                     | PM104FOOLMC | 53   | PM108FBAOSP  | 55         | PM206FRAOOO  | 62         |
| 1370            | 5, 7, 9, 11, 13, 15, 17, 19, 21, 25, 27, 29, 31, 33, 35, 37, 39, 41 | FMS8-32         | 44, 46, 49                     | PM104FOOLOO | 53   | PM108FBAOST  | 55         | PM206FRAOSB  | 62         |
|                 |   | FMSM4-07        | 44, 46, 49                     | PM104FOOLPC | 53   | PM108FOOLCH  | 53         | PM206MBALOO  | 67         |
| 1387G2          | 5, 7, 9, 11, 13, 15, 17, 19, 21, 25, 27, 29, 31, 33, 35, 37, 39, 41 | PC08FSN         | 46                             | PM104FOOLSC | 53   | PM108FOOLMC  | 53         | PM206MBALSP  | 67         |
|                 |   | PC08SSN         | 46, 48                         | PM104FRALHB | 54   | PM108FOOLOO  | 53         | PM206MBALST  | 67         |
| 1387G3          | 5, 7, 9, 11, 13, 15, 17, 19, 21, 25, 27, 29, 31, 33, 35, 37, 39, 41 | PC12FGH         | 44, 46                         | PM104FRALOO | 54   | PM108FOOLPC  | 53         | PM206MBAOOO  | 67         |
|                 |   | PC12FSN         | 44, 46, 48                     | PM104FRALSB | 54   | PM108FOOLSC  | 53         | PM206MBAOSP  | 67         |
| 2-8486G1        | 90  | PC12LGH         | 44, 46                         | PM104FRAOHB | 54   | PM108FRALHB  | 54         | PM206MBAOST  | 67         |
| 2-8486G2        | 94  | PC12LSN         | 44, 46, 48                     | PM104FRAOOO | 54   | PM108FRALOO  | 54         | PM206MOOLCH  | 65         |
| AFC065-FA/A0100 | 90  | PC12SGH         | 44, 46                         | PM104FRAOSB | 54   | PM108FRALSB  | 54         | PM206MOOLMC  | 65         |
| AFC065-FA/A0220 | 90  | PC12SSN         | 44, 46, 48                     | PM104MBALOO | 59   | PM108FRAOHB  | 54         | PM206MOOLOO  | 65         |
| AFC065-FA/B0470 | 90  | PC16FSN         | 44, 48                         | PM104MBALSP | 59   | PM108FRAOOO  | 54         | PM206MOOLPC  | 65         |
| AFC065-FA/B0600 | 90  | PC16LSN         | 44, 48                         | PM104MBALST | 59   | PM108FRAOSB  | 54         | PM206MOOLSC  | 65         |
| AFC065-FB/A0100 | 90  | PC16SSN         | 44, 48                         | PM104MBAOOO | 59   | PM108MBALOO  | 59         | PM206MRALHB  | 66         |
| AFC065-FB/A0220 | 90  | PC20FGN         | 44, 46, 48                     | PM104MBAOSP | 59   | PM108MBALSP  | 59         | PM206MRALOO  | 66         |
| AFC065-FB/B0470 | 90  | PC20LGN         | 44, 46, 48                     | PM104MBAOST | 59   | PM108MBALST  | 59         | PM206MRALSB  | 66         |
| AFC065-FB/B0600 | 90  | PC20SGN         | 44, 46, 48                     | PM104MOOLCH | 57   | PM108MBAOOO  | 59         | PM206MRAOHB  | 66         |
| AFC065-PC/6AWG  | 91  | PCL01           | 80                             | PM104MOOLMC | 57   | PM108MBAOSP  | 59         | PM206MRAOOO  | 66         |
| AFC065-PC/M16   | 91  | PCL02           | 82                             | PM104MOOLOO | 57   | PM108MBAOST  | 59         | PM206MRAOSB  | 66         |
| AFC065-PE/020   | 91  | PCL03           | 84                             | PM104MOOLPC | 57   | PM108MOOLCH  | 57         | PM208FBALOO  | 63         |
| AFC065-PE/030   | 91  | PM1000G1        | 45, 47, 52, 56, 60, 64, 68, 72 | PM104MOOLSC | 57   | PM108MOOLMC  | 57         | PM208FBALSP  | 63         |
| AFC065-PE/050   | 91  | PM1001G1        | 45, 47, 52, 56, 60, 64, 68, 72 | PM104MRALHB | 58   | PM108MOOLOO  | 57         | PM208FBALST  | 63         |
| AFC100-FA/A0100 | 90  | PM1002G1        | 52, 56, 60, 64, 68, 72         | PM104MRALOO | 58   | PM108MOOLPC  | 57         | PM208FBAOOO  | 63         |
| AFC100-FA/A0220 | 90  | PM1003G1        | 52, 56, 60, 64, 68, 72         | PM104MRALSB | 58   | PM108MOOLSC  | 57         | PM208FBAOSP  | 63         |
| AFC100-FA/B0470 | 90  | PM103FBALOO     | 55                             | PM104MRAOHB | 58   | PM108MRALHB  | 58         | PM208FBAOST  | 63         |
| AFC100-FA/B0600 | 90  | PM103FBALSP     | 55                             | PM104MRAOOO | 58   | PM108MRALOO  | 58         | PM208FOOLCH  | 61         |
| AFC100-FB/A0100 | 90  | PM103FBALST     | 55                             | PM104MRAOSB | 58   | PM108MRALSB  | 58         | PM208FOOLMC  | 61         |
| AFC100-FB/A0220 | 90  | PM103FBAOOO     | 55                             | PM106FBALOO | 55   | PM108MRAOHB  | 58         | PM208FOOLOO  | 61         |
| AFC100-FB/B0470 | 90  | PM103FBAOSP     | 55                             | PM106FBALSP | 55   | PM108MRAOOO  | 58         | PM208FOOLPC  | 61         |
| AFC100-FB/B0600 | 90  | PM103FBAOST     | 55                             | PM106FBALST | 55   | PM108MRAOSB  | 58         | PM208FOOLSC  | 61         |
| AFC100-PC/2AWG  | 91  | PM103FOOLCH     | 53                             | PM106FBAOOO | 55   | PM16P12A30   | 56, 64, 72 | PM208FRALHB  | 62         |
| AFC100-PC/4AWG  | 91  | PM103FOOLMC     | 53                             | PM106FBAOSP | 55   | PM16P12B30   | 56, 64, 72 | PM208FRALOO  | 62         |
| AFC100-PC/M25   | 91  | PM103FOOLOO     | 53                             | PM106FBAOST | 55   | PM16P12C30   | 56, 64, 72 | PM208FRALSB  | 62         |
| AFC100-PC/M35   | 91  | PM103FOOLPC     | 53                             | PM106FOOLCH | 53   | PM16P12S30   | 56, 64, 72 | PM208FRAOHB  | 62         |
| AFC100-PE/020   | 91  | PM103FOOLSC     | 53                             | PM106FOOLMC | 53   | PM16P1416A30 | 56, 64, 72 | PM208FRAOOO  | 62         |
| AFC100-PE/030   | 91  | PM103FRALHB     | 54                             | PM106FOOLOO | 53   | PM16P1416B30 | 56, 64, 72 | PM208FRAOSB  | 62         |
| AFC100-PE/050   | 91  | PM103FRALOO     | 54                             | PM106FOOLPC | 53   | PM16P1416C30 | 56, 64, 72 | PM208MBALOO  | 67         |
| AFC150-FA/A0220 | 94  | PM103FRALSB     | 54                             | PM106FOOLSC | 53   | PM16P1416S30 | 56, 64, 72 | PM208MBALSP  | 67         |
| AFC150-FA/A0470 | 94  | PM103FRAOHB     | 54                             | PM106FRALHB | 53   | PM16P1620A30 | 56, 64, 72 | PM208MBALST  | 67         |

All Data Subject To Change Without Notice

HEADQUARTERS: 13 Pratts Junction Road, P.O. Box 579, Sterling, MA 01564 T:978-422-3600 F:978-422-3700

EUROPE: Rathealy Road, Fermoy Co. Cork, Ireland T:353-(0)25-32277 F:353-(0)25-32296

ASIA/PACIFIC: IDEAL Anderson Asia Pacific Ltd., Unit 922-928 Topsail Plaza, 11 On Sum Street, Shatin N.T., Hong Kong T:852-2636-0836 F:852-2635-9036

CHINA: IDEAL Anderson Technologies (Shenzhen) Ltd., Block A8 Tantou W. Ind. Par, Songgang Baoran District, Shenzhen, P.R. China 51810 T: 86-755-2768-2118 F: 86-755-2768-2218

TAIWAN: IDEAL Anderson Asia Pacific Ltd., Taiwan Branch, 4F.-2, No.116, Dadun 20th St., Situn District, Taichung City 407, Taiwan (R.O.C.) T: 886-4-2310-6451 F:886-4-2310-6460

[www.andersonpower.com](http://www.andersonpower.com)

# Part Number Index

| PART NUMBER | PAGE | PART NUMBER | PAGE | PART NUMBER  | PAGE | PART NUMBER | PAGE   | PART NUMBER | PAGE       | PART NUMBER | PAGE       |
|-------------|------|-------------|------|--------------|------|-------------|--------|-------------|------------|-------------|------------|
| PM208MBAOO  | 67   | PM216MBALOO | 67   | PM312FRAOHB  | 70   | PM324FRALHB | 70     | PMHPAF14    | 20         | PP20FGN     | 44, 46, 48 |
| PM208MBAOSP | 67   | PM216MBALSP | 67   | PM312FRAOOO  | 70   | PM324FRALOO | 70     | PMHPAFMH    | 18, 20     | PP20LGN     | 44, 46, 48 |
| PM208MBAOST | 67   | PM216MBALST | 67   | PM312FRAOSB  | 70   | PM324FRALSB | 70     | PMHPAM01    | 4          | PP20SGN     | 44, 46, 48 |
| PM208MOOLCH | 65   | PM216MBAOOO | 67   | PM312MBAALOO | 75   | PM324FRAOHB | 70     | PMHPAM02    | 4          | PS08FSN     | 46         |
| PM208MOOLMC | 65   | PM216MBAOSP | 67   | PM312MBALSP  | 75   | PM324FRAOOO | 70     | PMHPAM11    | 12         | PS08SSN     | 46         |
| PM208MOOLOO | 65   | PM216MBAOST | 67   | PM312MBALST  | 75   | PM324FRAOSB | 70     | PMHPAM12    | 12         | PS12FGH     | 46         |
| PM208MOOLPC | 65   | PM216MOOLCH | 65   | PM312MBAOOO  | 75   | PM324MBALOO | 75     | PMHPAM14    | 18         | PS12FSN     | 46, 48     |
| PM208MOOLSC | 65   | PM216MOOLMC | 65   | PM312MBAOSP  | 75   | PM324MBALSP | 75     | PMHPAM15    | 18         | PS12LGH     | 46         |
| PM208MRALHB | 66   | PM216MOOLOO | 65   | PM312MBAOST  | 75   | PM324MBALST | 75     | PMHPAP01    | 4, 12, 18  | PS12LSN     | 46, 48     |
| PM208MRALOO | 66   | PM216MOOLPC | 65   | PM312MOOLCH  | 73   | PM324MBAOOO | 75     | PMHPAP02    | 4, 12, 18  | PS12SGH     | 46         |
| PM208MRALSB | 66   | PM216MOOLSC | 65   | PM312MOOLMC  | 73   | PM324MBAOSP | 75     | PMHPAP03    | 4, 12, 18  | PS12SSN     | 46, 48     |
| PM208MRAOHB | 66   | PM216MRALHB | 66   | PM312MOOLOO  | 73   | PM324MBAOST | 75     | PMHPAP04    | 4, 12, 18  | PS16FSN     | 44, 48     |
| PM208MRAOOO | 66   | PM216MRALOO | 66   | PM312MOOLPC  | 73   | PM324MBALST | 75     | PMHPAP05    | 4, 12, 18  | PS16LSN     | 44, 48     |
| PM208MRAOSB | 66   | PM216MRALSB | 66   | PM312MOOLSC  | 73   | PM324MOOLCH | 73     | PMHPAP06    | 10         | PS16SSN     | 44, 48     |
| PM212FBALOO | 63   | PM216MRAOHB | 66   | PM312MRALHB  | 74   | PM324MOOLOO | 73     | PMHPAS01    | 6, 14, 20  | PS20FGN     | 44, 46, 48 |
| PM212FBALSP | 63   | PM216MRAOOO | 66   | PM312MRALOO  | 74   | PM324MOOLPC | 73     | PMHPAS02    | 6, 14, 20  | PS20LGN     | 44, 46, 48 |
| PM212FBALST | 63   | PM216MRAOSB | 66   | PM312MRALSB  | 74   | PM324MOOLSC | 73     | PMHPAS03    | 6, 14, 20  | PS20SGN     | 44, 46, 48 |
| PM212FBAOOO | 63   | PM309FBALOO | 71   | PM312MRAOHB  | 74   | PM324MOOLMC | 73     | PMHPAS04    | 6, 14, 20  | SC08-SN     | 46, 49     |
| PM212FBAOSP | 63   | PM309FBALSP | 71   | PM312MRAOOO  | 74   | PM324MRALOO | 74     | PMHPAS05    | 6, 14, 20  | SC12-GH     | 44, 49     |
| PM212FBAOST | 63   | PM309FBALST | 71   | PM312MRAOSB  | 74   | PM324MRALSB | 74     | PMHPAS06    | 8, 16      | SC12-SN     | 44, 46, 49 |
| PM212FOOLCH | 61   | PM309FBAOOO | 71   | PM318FBALOO  | 71   | PM324MRAOHB | 74     | PMHPAS07    | 8, 16      | SC16-SN     | 44, 49     |
| PM212FOOLMC | 61   | PM309FBAOSP | 71   | PM318FBALSP  | 71   | PM324MRAOOO | 74     | PMHPAS08    | 8, 16      | SC20-GN     | 44, 46, 49 |
| PM212FOOLOO | 61   | PM309FBAOST | 71   | PM318FBALST  | 71   | PM324MRAOSB | 74     | PMHPAS09    | 8, 16      | SP08-SN     | 46, 49     |
| PM212FOOLPC | 61   | PM309FOOLCH | 69   | PM318FBAOOO  | 71   | PM330FBALOO | 71     | PMHPAS10    | 8, 16      | SP12-GH     | 44, 49     |
| PM212FOOLSC | 61   | PM309FOOLMC | 69   | PM318FBAOSP  | 71   | PM330FBALSP | 71     | PMHPBC01    | 24, 26     | SP12-SN     | 44, 46, 49 |
| PM212FRALHB | 62   | PM309FOOLOO | 69   | PM318FBAOST  | 71   | PM330FBALST | 71     | PMHPBC02    | 32, 34     | SP16-SN     | 44, 49     |
| PM212FRALOO | 62   | PM309FOOLPC | 69   | PM318FOOLCH  | 69   | PM330FBAOOO | 71     | PMHPBF01    | 26         | SP20-GN     | 44, 46, 49 |
| PM212FRALSB | 62   | PM309FOOLSC | 69   | PM318FOOLMC  | 69   | PM330FBAOSP | 71     | PMHPBF02    | 26         | SS08-SN     | 46, 49     |
| PM212FRAOHB | 62   | PM309FRALHB | 70   | PM318FOOLOO  | 69   | PM330FBAOST | 71     | PMHPBF03    | 28         | SS12-GH     | 49         |
| PM212FRAOOO | 62   | PM309FRALOO | 70   | PM318FOOLPC  | 69   | PM330FOOLCH | 69     | PMHPBF11    | 34         | SS12-SN     | 44, 46, 49 |
| PM212FRAOSB | 62   | PM309FRALSB | 70   | PM318FOOLSC  | 69   | PM330FOOLMC | 69     | PMHPBF12    | 34         | SS16-SN     | 44, 49     |
| PM212MBALOO | 67   | PM309FRAOHB | 70   | PM318FRALHB  | 70   | PM330FOOLMC | 69     | PMHPBF13    | 36         | SS20-GN     | 46, 49     |
| PM212MBALSP | 67   | PM309FRAOOO | 70   | PM318FRALOO  | 70   | PM330FOOLPC | 69     | PMHPBF14    | 40         | SS20-SN     | 44         |
| PM212MBALST | 67   | PM309FRAOSB | 70   | PM318FRALSB  | 70   | PM330FOOLSC | 69     | PMHPBFMH    | 38, 40     |             |            |
| PM212MBAOOO | 67   | PM309MBALOO | 75   | PM318FRAOHB  | 70   | PM330FRALHB | 70     | PMHPBM01    | 24         |             |            |
| PM212MBAOSP | 67   | PM309MBALSP | 75   | PM318FRAOOO  | 70   | PM330FRALOO | 70     | PMHPBM02    | 24         |             |            |
| PM212MBAOST | 67   | PM309MBALST | 75   | PM318FRAOSB  | 70   | PM330FRALSB | 70     | PMHPBM11    | 32         |             |            |
| PM212MOOLCH | 65   | PM309MBAOOO | 75   | PM318FRAOSP  | 70   | PM330FRAOHB | 70     | PMHPBM12    | 32         |             |            |
| PM212MOOLMC | 65   | PM309MBAOSP | 75   | PM318MBALOO  | 75   | PM330FRAOOO | 70     | PMHPBM14    | 38         |             |            |
| PM212MOOLOO | 65   | PM309MBAOST | 75   | PM318MBALSP  | 75   | PM330FRAOSB | 70     | PMHPBM15    | 38         |             |            |
| PM212MOOLPC | 65   | PM309MOOLCH | 73   | PM318MBAOOO  | 75   | PM330MBALOO | 75     | PMHPBP01    | 24, 32, 38 |             |            |
| PM212MOOLSC | 65   | PM309MOOLMC | 73   | PM318MBAOSP  | 75   | PM330MBALSP | 75     | PMHPBP02    | 24, 32, 38 |             |            |
| PM212MRALHB | 66   | PM309MOOLOO | 73   | PM318MBAOST  | 75   | PM330MBALST | 75     | PMHPBP03    | 24, 32, 38 |             |            |
| PM212MRALOO | 66   | PM309MOOLPC | 73   | PM318MBAOSB  | 75   | PM330MBAOOO | 75     | PMHPBP04    | 24, 32, 38 |             |            |
| PM212MRALSB | 66   | PM309MOOLSC | 73   | PM318MBAOSP  | 75   | PM330MBAOSP | 75     | PMHPBP06    | 30         |             |            |
| PM212MRAOHB | 66   | PM309MRALHB | 74   | PM318MOOLOO  | 73   | PM330MBAOST | 75     | PMHPBS01    | 26, 34, 40 |             |            |
| PM212MRAOOO | 66   | PM309MRALOO | 74   | PM318MOOLPC  | 73   | PM330MOOLCH | 73     | PMHPBS02    | 26, 34, 40 |             |            |
| PM212MRAOSB | 66   | PM309MRALSB | 74   | PM318MOOLSC  | 73   | PM330MOOLMC | 73     | PMHPBS03    | 26, 34, 40 |             |            |
| PM216FBALOO | 63   | PM309MRAOHB | 74   | PM318MRALHB  | 74   | PM330MOOLOO | 73     | PMHPBS04    | 26, 34, 40 |             |            |
| PM216FBALSP | 63   | PM309MRAOOO | 74   | PM318MRALOO  | 74   | PM330MOOLPC | 73     | PMHPBS06    | 28, 36     |             |            |
| PM216FBALST | 63   | PM309MRAOSB | 74   | PM318MRALSB  | 74   | PM330MOOLSC | 73     | PMHPBS07    | 28, 36     |             |            |
| PM216FBAOOO | 63   | PM312FBALOO | 71   | PM318MRAOHB  | 74   | PM330MRALHB | 74     | PMHPBS08    | 28, 36     |             |            |
| PM216FBAOSP | 63   | PM312FBALSP | 71   | PM318MRAOOO  | 74   | PM330MRALOO | 74     | PMHPBS09    | 28, 36     |             |            |
| PM216FBAOST | 63   | PM312FBALST | 71   | PM318MRAOSB  | 74   | PM330MRALSB | 74     | PP08FSN     | 46         |             |            |
| PM216FOOLCH | 61   | PM312FBAOOO | 71   | PM324FBALOO  | 71   | PM330MRAOHB | 74     | PP08SSN     | 46, 48     |             |            |
| PM216FOOLMC | 61   | PM312FBAOSP | 71   | PM324FBALSP  | 71   | PM330MRAOOO | 74     | PP12FGH     | 44, 46     |             |            |
| PM216FOOLOO | 61   | PM312FBAOST | 71   | PM324FBALST  | 71   | PM330MRAOSB | 74     | PP12FSN     | 44, 46     |             |            |
| PM216FOOLPC | 61   | PM312FOOLCH | 69   | PM324FBAOOO  | 71   | PMHPAC01    | 4, 6   | PP12LFN     | 48         |             |            |
| PM216FOOLSC | 61   | PM312FOOLMC | 69   | PM324FBAOSP  | 71   | PMHPAC02    | 12, 14 | PP12LGH     | 44, 46     |             |            |
| PM216FRAAHB | 62   | PM312FOOLOO | 69   | PM324FBAOST  | 71   | PMHPAF01    | 6      | PP12LSN     | 44, 46, 48 |             |            |
| PM216FRALHB | 62   | PM312FOOLPC | 69   | PM324FOOLCH  | 69   | PMHPAF02    | 6      | PP12SGH     | 44, 46     |             |            |
| PM216FRALOO | 62   | PM312FOOLSC | 69   | PM324FOOLMC  | 69   | PMHPAF03    | 8      | PP12SSN     | 44, 46, 48 |             |            |
| PM216FRALSB | 62   | PM312FRALHB | 70   | PM324FOOLOO  | 69   | PMHPAF11    | 14     | PP16LSN     | 44, 48     |             |            |
| PM216FRAOOO | 62   | PM312FRALOO | 70   | PM324FOOLPC  | 69   | PMHPAF12    | 14     | PP16FSN     | 44, 48     |             |            |
| PM216FRAOSB | 62   | PM312FRALSB | 70   | PM324FOOLSC  | 69   | PMHPAF13    | 16     | PP16SSN     | 44, 48     |             |            |

All Data Subject To Change Without Notice

HEADQUARTERS: 13 Pratts Junction Road, P.O. Box 579, Sterling, MA 01564 T:978-422-3600 F:978-422-3700

EUROPE: Rathealy Road, Fermoy Co. Cork, Ireland T:353-(0)25-32277 F:353-(0)25-32296

ASIA/PACIFIC: IDEAL Anderson Asia Pacific Ltd., Unit 922-928 Topsail Plaza, 11 On Sum Street, Shatin N.T., Hong Kong T:852-2636-0836 F:852-2635-9036

CHINA: IDEAL Anderson Technologies (Shenzhen) Ltd., Block A8 Tantou W. Ind. Par. Songgang Baonan District, Shenzhen, PR. China 51810 T: 86-755-2768-2118 F: 86-755-2768-2218

TAIWAN: IDEAL Anderson Asia Pacific Ltd., Taiwan Branch, 4F-2, No.116, Dadun 20th St., Situn District, Taichung City 407, Taiwan (R.O.C.) T: 886-4-2310-6451 F:886-4-2310-6460

[www.andersonpower.com](http://www.andersonpower.com)



For information on additional product lines, please contact your local APP customer service department.



Powerpole® Connectors



EBC / DIN Connectors



Multipole Connectors



Power Pak Connectors

**HEADQUARTERS:** 13 Pratts Junction Road, P.O. Box 579, Sterling, MA 01564 T:978-422-3600 F:978-422-3700

**EUROPE:** Rathely Road, Fermoy Co. Cork, Ireland T:353-(0)25-32277 F:353-(0)25-32296

**ASIA/PACIFIC:** IDEAL Anderson Asia Pacific Ltd., Unit 922-928 Topsail Plaza, 11 On Sum Street, Shatin N.T., Hong Kong T:852-2636-0836 F:852-2635-9036

**CHINA:** IDEAL Anderson Technologies (Shenzhen) Ltd., Block A8 Tantou W. Ind. Par, Songgang Baoan District, Shenzhen, P.R. China 51810 T: 86-755-2768-2118 F: 86-755-2768-2218

**TAIWAN:** IDEAL Anderson Asia Pacific Ltd., Taiwan Branch, 4F.-2, No.116, Dadun 20th St., Situn District, Taichung City 407, Taiwan (R.O.C.) T: 886-4-2310-6451 F:886-4-2310-6460

[www.andersonpower.com](http://www.andersonpower.com)



Компания «ЭлектроПласт» предлагает заключение долгосрочных отношений при поставках импортных электронных компонентов на взаимовыгодных условиях!

Наши преимущества:

- Оперативные поставки широкого спектра электронных компонентов отечественного и импортного производства напрямую от производителей и с крупнейших мировых складов;
- Поставка более 17-ти миллионов наименований электронных компонентов;
- Поставка сложных, дефицитных, либо снятых с производства позиций;
- Оперативные сроки поставки под заказ (от 5 рабочих дней);
- Экспресс доставка в любую точку России;
- Техническая поддержка проекта, помощь в подборе аналогов, поставка прототипов;
- Система менеджмента качества сертифицирована по Международному стандарту ISO 9001;
- Лицензия ФСБ на осуществление работ с использованием сведений, составляющих государственную тайну;
- Поставка специализированных компонентов (Xilinx, Altera, Analog Devices, Intersil, Interpoint, Microsemi, Aeroflex, Peregrine, Syfer, Eurofarad, Texas Instrument, Miteq, Cobham, E2V, MA-COM, Hittite, Mini-Circuits, General Dynamics и др.);

Помимо этого, одним из направлений компании «ЭлектроПласт» является направление «Источники питания». Мы предлагаем Вам помощь Конструкторского отдела:

- Подбор оптимального решения, техническое обоснование при выборе компонента;
- Подбор аналогов;
- Консультации по применению компонента;
- Поставка образцов и прототипов;
- Техническая поддержка проекта;
- Защита от снятия компонента с производства.



#### Как с нами связаться

**Телефон:** 8 (812) 309 58 32 (многоканальный)

**Факс:** 8 (812) 320-02-42

**Электронная почта:** [org@eplast1.ru](mailto:org@eplast1.ru)

**Адрес:** 198099, г. Санкт-Петербург, ул. Калинина, дом 2, корпус 4, литера А.