

## 12.5 mm Modular Panel Potentiometers High Dielectric Strength



### FEATURES

- High dielectric strength potentiometer up to 5000 V<sub>rms</sub>
- 12.5 mm square single turn panel control
- Plastic shaft and bushing
- Two shaft lengths and 29 terminal styles
- P11P: Cermet element
- P11D: Conductive plastic element
- Multiple assemblies - up to seven modules
- Test according to CECC 41 000
- Shaft and panel sealed version
- Up to twenty-one indent positions
- Rotary switch options
- Custom designs on request
- Compliant to RoHS directive 2002/95/EC

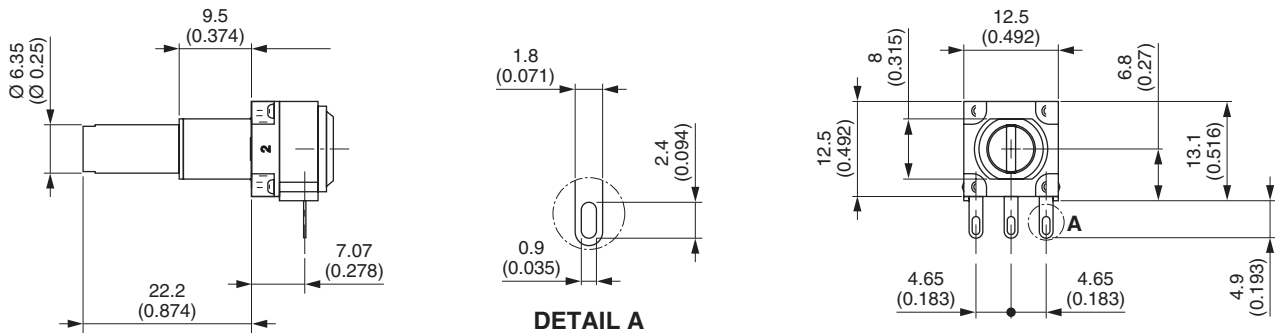


RoHS  
COMPLIANT

VERSATILE	MODULAR	COMPACT	ROBUST
-----------	---------	---------	--------

### CONFIGURATION EXAMPLE - Dimensions in mm (Inches)/Tolerance ± 0.5 mm (± 0.02")

Single module, single shaft, solder lugs, imperial bushing and shaft



Single module, single shaft, vertical mounting, PC pins with support plate, imperial bushing and shaft



Single module, single shaft, solder lugs, imperial bushing and shaft





# 12.5 mm Modular Panel Potentiometers High Dielectric Strength

# P11P, P11D

Vishay Sfernice

## GENERAL SPECIFICATIONS

ELECTRICAL (INITIAL)			P11D	P11P
Resistive Element			Conductive plastic	Cermet
Electrical Travel			270° ± 10°	270° ± 10°
Resistance Range <sup>(1)</sup>	Linear Law		1 kΩ to 1 MΩ	20 Ω to 10 MΩ
	Non Linear Law		470 Ω to 500 kΩ	100 Ω to 2.2 MΩ
Tolerance	Standard		± 20 %	± 20 %
	On Request		-	± 5 % or ± 10 %
Power Rating at 70 °C	Linear Law		0.5 W at + 70 °C	1 W at + 70 °C
	Non Linear Law		0.25 W at + 70 °C	0.5 W at + 70 °C
	Multiple Assemblies		0.25 W at + 70 °C per module	0.5 W at + 70 °C per module
Temperature Coefficient (Typical)			± 500 ppm	± 150 ppm
Limiting Element Voltage			350 V	350 V
End Resistance (Typical)			2 Ω	2 Ω
Contact Resistance Variation	Linear Law		1 %	2 % or 3 Ω
Independent Linearity (Typical)	Linear Law		± 5 %	± 5 %
Insulation Resistance			10 <sup>6</sup> MΩ min.	10 <sup>6</sup> MΩ min.
Dielectric Strength	Leads to Support Plate		3000 V <sub>RMS</sub> min.	3000 V <sub>RMS</sub> min.
	Leads to Shaft and Bushing		5000 V <sub>RMS</sub> min.	5000 V <sub>RMS</sub> min.
Mechanical Rotation Life			50 000 cycles	50 000 cycles

### Note

<sup>(1)</sup> Consult Vishay Sfernice for other ohmic values

MECHANICAL (INITIAL)		
Mechanical Travel		300° ± 5°
Operating Torque (Typical)	Single and dual assemblies	0.2 Ncm to 1 Ncm max. (0.3 oz.-inch to 1.4 oz.-inch max.)
	Three to Seven Modules (Per Module)	0.2 Ncm to 0.3 Ncm max. (0.3 oz.-inch to 0.45 oz.-inch max.)
End Stop Torque		80 Ncm max. (6.8 lb.-inch max.)
Tightening Torque		150 Ncm max. (13 lb.-inch max.)
Weight	Single Assemblies	3.5 g
	Two to Seven Modules (Per Module)	1.5 g to 2 g (0.25 oz. to 0.32 oz.)

ENVIRONMENTAL			P11D	P11P
Operating Temperature Range			- 40 °C to + 100 °C	- 40 °C to + 100 °C
Climatic Category			40/100/21	40/100/56
Sealing			IP64	IP64
Storage Temperature			- 40 °C to + 100 °C	- 40 °C to + 100 °C

MARKING
<ul style="list-style-type: none"> <li>• <b>Potentiometer Module</b> VISHAY logo, nominal ohmic value (Ω, kΩ, MΩ), two stars identify P11D version, tolerance in % - variation law, manufacturing date (four digits), "3" for the lead 3</li> </ul>
<ul style="list-style-type: none"> <li>• <b>Switch Module</b> Version, manufacturing date (four digits), "c" for common lead</li> </ul>
<ul style="list-style-type: none"> <li>• <b>Indent Module</b> Version, manufacturing date (four digits)</li> </ul>

PACKAGING
<ul style="list-style-type: none"> <li>• Box</li> </ul>

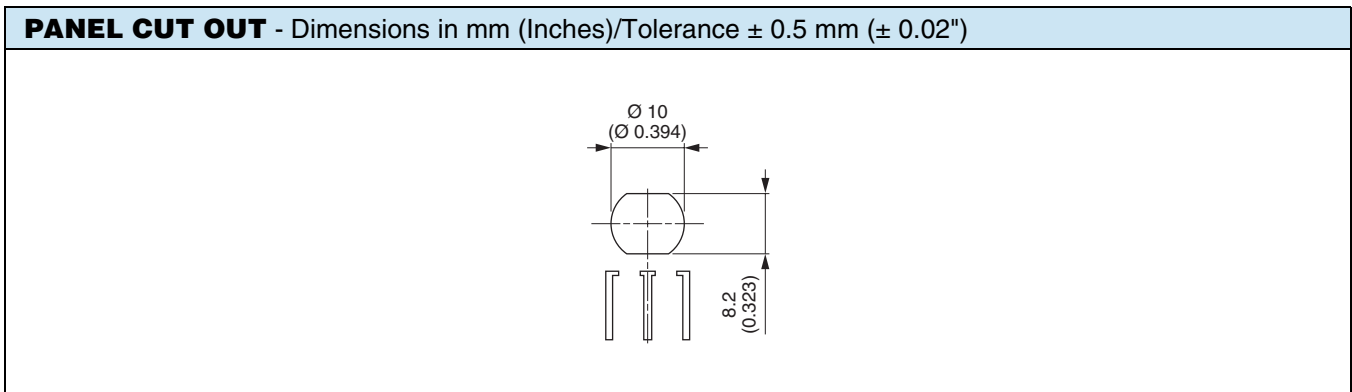
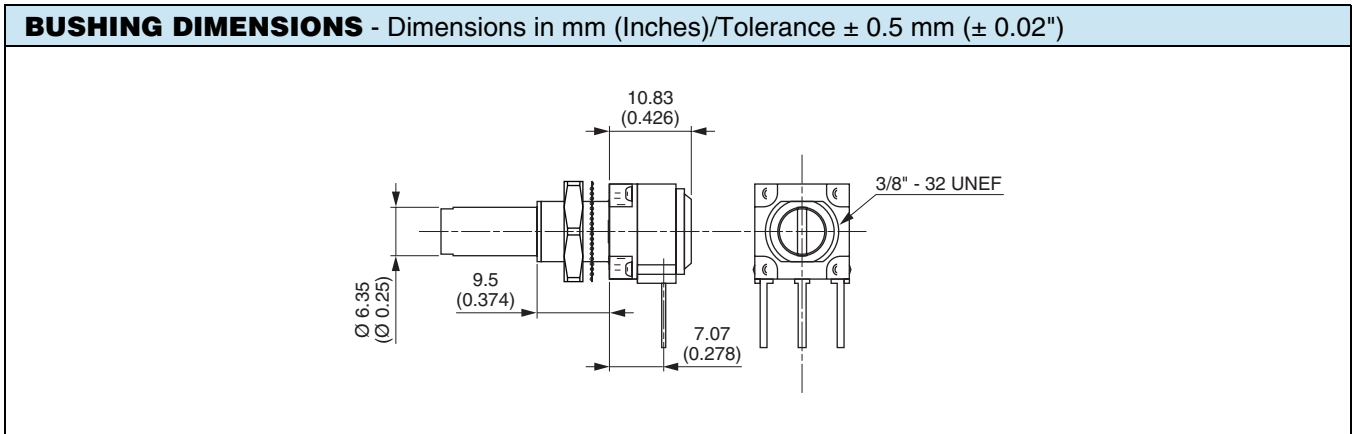


PERFORMANCES				
TESTS	CONDITIONS	TYPICAL VALUE AND DRIFTS		
			P11D	P11P
Load Life	1000 h at + 70 °C (90°/30')	$\Delta R_T/R_T$ (%) contact resistance variation	± 10 % ± 5 %	± 2 % ± 4 %
Temperature Cycle	- 40 °C to + 100 °C, 5 cycles	$\Delta R_T/R_T$ (%)	± 0.5 %	± 0.2 %
Moisture	+ 40 °C, 93 % relative humidity P11D: 21 days, P11P: 56 days	$\Delta R_T/R_T$ (%) insulation resistance	± 5 % > 10 MΩ	± 2 % > 1000 MΩ
Rotational Life	P11P/P11D: 50 000 cycles	$\Delta R_T/R_T$ (%) contact resistance variation	± 6 % ± 4 %	± 5 % ± 5 %
Climatic Sequence	Dry heat at + 100 °C/damp heat cold - 40 °C/damp heat 5 cycles	$\Delta R_T/R_T$ (%)	-	± 1 %
Shock	50 g, 11 ms 3 shocks - 3 directions	$\Delta R_T/R_T$ (%) resistance setting change	± 0.2 % ± 0.5 %	± 0.2 % ± 0.5 %
Vibration	10 Hz to 55 Hz 0.75 mm or 10 g, 6 h	$\Delta R_T/R_T$ (%) voltage setting change	± 0.2 % ± 0.5 %	± 0.2 % ± 0.5 %

ORDERING INFORMATION (Part Number 18 digits)												
<div style="display: flex; justify-content: space-around; font-weight: bold; font-size: 1.2em;"> <span>P</span><span>1</span><span>1</span><span>P</span><span>2</span><span>F</span><span>0</span><span>G</span><span>G</span><span>S</span><span>Y</span><span>0</span><span>0</span><span>1</span><span>0</span><span>3</span><span>M</span><span>A</span> </div>												
MODEL	STYLE	NUMBER OF MODULES	BUSHING	OPTION	SHAFT	SHAFT STYLE	LEADS	RESISTANCE CODE/ TOLERANCE/ TAPER OR SPECIAL				
P11	P = CERMET ELEMENT  D = CONDUCTIVE PLASTIC (AUDIO)	1 2 3 4 5 6 7										

STANDARD RESISTANCE ELEMENT DATA											
STANDARD RESISTANCE VALUES	P11P CERMET						P11A CONDUCTIVE PLASTIC LINEAR LAW			TYPICAL TCR - 40 °C/+ 100 °C	
	LINEAR LAW			NON LINEAR LAW			MAX. POWER AT 70 °C	MAX. WORKING VOLTAGE	MAX. CUR. THROUGH WIPER	P11P	P11D
	MAX. POWER AT 70 °C	MAX. WORKING VOLTAGE	MAX. CUR. THROUGH WIPER	MAX. POWER AT 70 °C	MAX. WORKING VOLTAGE	MAX. CUR. THROUGH WIPER					
Ω	W	V	mA	W	V	mA	W	V	mA	ppm/°C	
22	1	4.69	213							± 150	± 500
47	↓	6.85	146								
50		7.07	141								
100		10	100								
200		14.8	67.4	0.5							
470		21.6	46.1	↓	15.3	32.7					
500		22.4	44.7		15.8	31.6					
1K		31.6	31.6		22.4	22.4	0.5	22.4	22.4		
2.2K		46.9	21.3		33.2	15.1	↓	33.2	15.1		
4.7K		63.5	14.5		48.5	10.3		48.5	10.3		
5K		70.7	14.1		50.0	10.0		50.0	10.0		
10K		100	10		79.7	7.07		79.7	7.07		
22K		148	6.7		105	4.77		105	4.77		
47K		217	4.6	↓	153	3.26	↓	153	3.26		
50K		224	4.47		158	3.16		158	3.16		
100K	1	316	3.16	0.5	224	2.24	0.5	224	2.24		
220K	0.56	350	1.59	0.26	332	1.51	0.5	332	1.51		
470K	0.26	350	0.75	0.12	350	0.74	0.26	350	0.74		
500K	0.25	350	0.70	0.25	350	0.70	0.25	350	0.70		
1M	0.12	350	0.35		350	0.35					
2.2M	0.05	350	0.16								
4.7M	0.02	350	0.07								

ORDERING INFORMATION (Part Number 18 digits)																										
P	1	1	P	2	F	0	G	G	S	Y	0	0	1	0	3	M	A									
MODEL	STYLE	NUMBER OF MODULES	BUSHING			OPTION	SHAFT	SHAFT STYLE	LEADS	RESISTANCE CODE/TOLERANCE/TAPER OR SPECIAL																
P11			<table border="1"> <tr> <td></td><td>Ø</td><td>L</td> </tr> <tr> <td>F</td><td>3/8"</td><td>3/8"</td> </tr> </table>				Ø	L	F	3/8"	3/8"															
	Ø	L																								
F	3/8"	3/8"																								



**Notes**

- Hardware supplied in separate bags

**ORDERING INFORMATION** (Part Number 18 digits)

P	1	1	P	2	F	0	G	G	S	Y	0	0	1	0	3	M	A			
MODEL	STYLE	NUMBER OF MODULES	BUSHING	OPTION			SHAFT	SHAFT STYLE	LEADS	RESISTANCE CODE/TOLERANCE/TAPER OR SPECIAL										
				<p><u>Location Pegs:</u>                      A = <math>\varnothing = 2</math> L = 6.2                      B = <math>\varnothing = 2</math> L = 7.75                      C = <math>\varnothing = 3.5</math> L = 13.5                      0 = Without peg</p> <p><u>Sealed Version:</u>                      P = Panel and shaft sealed</p>																

**LOCATING PEGS (Anti-Rotation Lug)**

The locating peg is provided by a plate mounted on the bushing and positioned by the module sides. Four set positions are available, clock face orientation: 12, 3, 6, 9.

Bushings have a double flat. When panel mounting holes have been punched accordingly, an anti-rotation lug is not necessary.

CODE	$\varnothing d$ (mm)	L (mm)	EFFECTIVE HIGH PEG
A	2	6.2	0.7
B	2	7.75	0.7
C	3.5	13.5	1.1

**PANEL AND SHAFT SEALED**

O ring plate can not be used with locating pegs

**Note**

- Locating pegs and panel o ring are supplied in separate bags with nuts and washers

ORDERING INFORMATION (Part Number 18 digits)																	
P	1	1	P	2	F	0	G	G	S	Y	0	0	1	0	3	M	A
MODEL	STYLE	NUMBER OF MODULES	BUSHING	OPTION	SHAFT			SHAFT STYLE	LEADS	RESISTANCE CODE/TOLERANCE/TAPER OR SPECIAL							
					CODE	L (inch)	L (mm)	S = Slotted									
					GG	5/8	15.8										
					GJ	7/8	22.2										

**SHAFTS** - Dimensions in mm (Inches)/Tolerance  $\pm 0.5$  mm ( $\pm 0.02$ " )

The shaft length are always measured from the mounting face.  
Shafts are designed by a 3 letter code (3 digits). Shafts are slotted and aligned to  $\pm 10^\circ$  of the wiper position.

## ORDERING INFORMATION (Part Number 18 digits)

**P 1 1 P 2 F 0 G G S Y 0 0 1 0 3 M A**

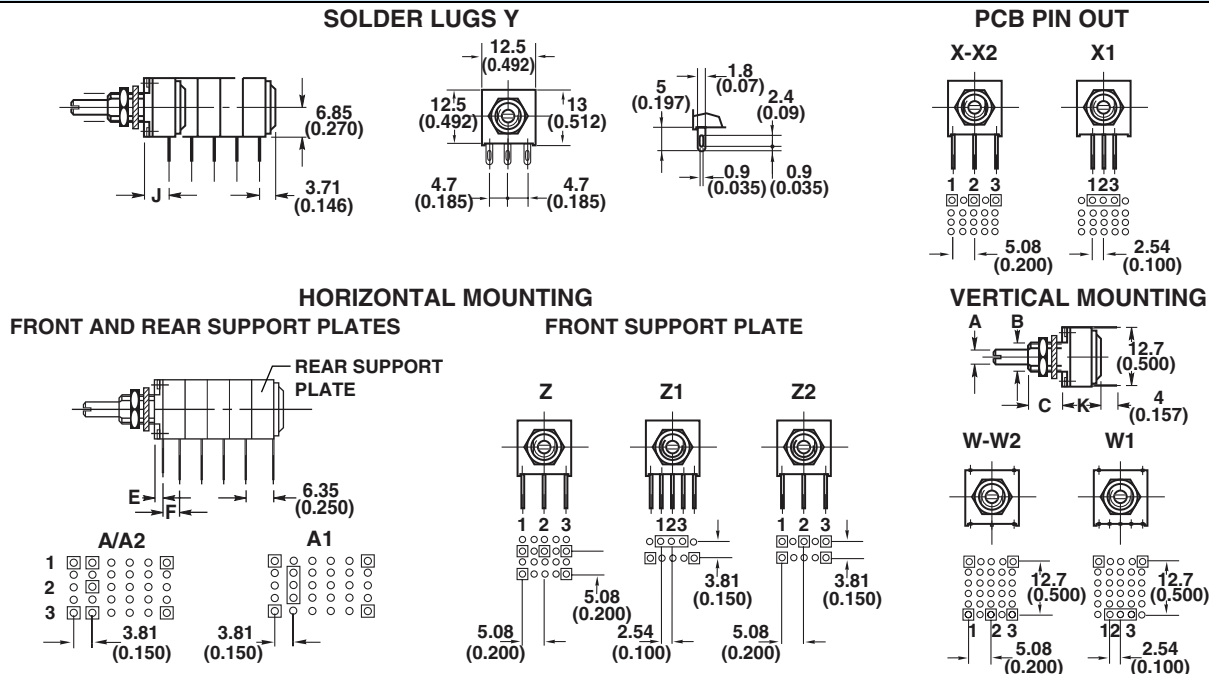
MODEL	STYLE	NUMBER OF MODULES	BUSHING	OPTION	SHAFT	SHAFT STYLE	LEADS	RESISTANCE CODE/ TOLERANCE/ TAPER OR SPECIAL
							Available leads	
							A00 W00 X00 Y00 Z00	
							A10 W10 X03 Y03 Z03	
							A13 W20 X04 Y04 Z04	
							A14 X10 Z10	
							A20 X13 Z13	
							A23 X14 Z14	
							A24 X20 Z20	
							X23 Z23	
							X24 Z24	

FIRST DIGIT	
<b>Y</b>	Soldering lugs
<b>X</b>	PCB pins
<b>Z</b>	PCB pins with front support plate
<b>A</b>	PCB pins with front and back support plates
<b>W</b>	PCB pins - vertical mounting with 2 extra pins - 1 module only

SECOND DIGIT	
<b>0</b>	Y = 4.65 mm (0.183") A, X, Z, W = 5.08 mm (0.200") pin spacing pins section 0.9 x 0.3 mm <sup>2</sup> (0.035" x 0.012")
<b>1</b>	2.54 mm (0.100") pin spacing pin section 0.6 x 0.3 mm <sup>2</sup> (0.024" x 0.012")
<b>2</b>	5.08 mm (0.200") pin spacing pins section 0.6 x 0.3 mm <sup>2</sup> (0.024" x 0.012")

THIRD DIGIT	
<b>0</b>	5.08 mm (0.200") space between modules
<b>3</b>	7.62 mm (0.300") space between modules
<b>4</b>	10.16 mm (0.400") space between modules

## DIMENSIONS in mm (Inches)/Tolerance ± 0.5 (0.02)



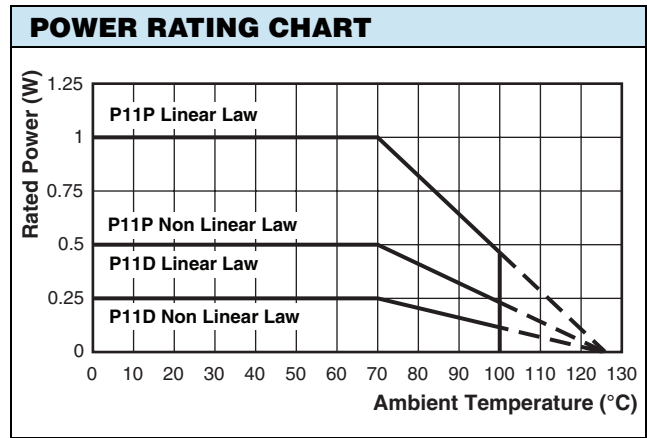
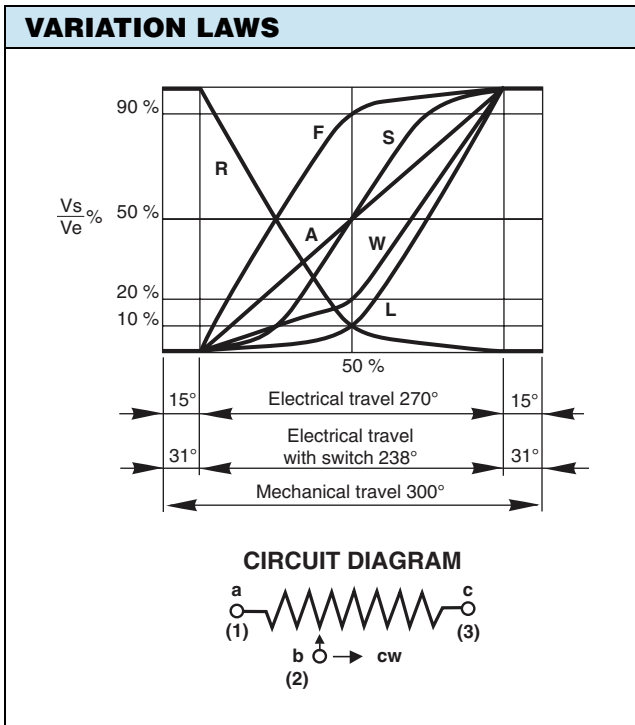
THE POSITION OF EACH MODULE IS FREE

	LEADS			
	X../Y..	A../Z1./Z2.	Z0. (except with rotary switch)	Z0. (with rotary switch)
E	-	3.6 (0.14)	3.81 (0.15)	2.15 (0.085)
F	-	3.81 (0.15)	5.08 (0.20)	5.08 (0.20)
J	7.06 (0.278)	-	-	-

ORDERING INFORMATION (Part Number 18 digits)																	
P	1	1	P	2	F	0	G	G	S	Y	0	0	1	0	3	M	A
MODEL	STYLE	NUMBER OF MODULES	BUSHING	LOCATING PEG	SHAFT	SHAFT STYLE	LEADS	RESISTANCE CODE/ TOLERANCE/ TAPER OR SPECIAL									
								Resistance Code: 200 = 20 Ω to 106 = 10 MΩ  Tolerance Code: M = 20 %, K = 10 %, J = 5 %  Taper: A, L, W, F, S, R or special code given by Vishay									

RESISTANCE CODE
See Conversion Table for ohmic value

TOLERANCE
Standard: M = ± 20 %
On request: K = ± 10 %, J = ± 5 % (cermet only)



SPECIAL CODES GIVEN BY VISHAY
OPTION AVAILABLE
<ul style="list-style-type: none"> <li>• Custom design on request</li> <li>• Specific linearity</li> <li>• Specific interlinearity</li> <li>• Specific variation law</li> <li>• Multiple assemblies with various modules</li> </ul>



## P11 OPTION: ROTARY SWITCH MODULES



- Rotary switches
- Current up to 2 A
- Actuation CW or CCW position

### MODULES: RS ON/OFF SWITCH RSI CHANGEOVER SWITCH

The position of each module is free. RS and RSI rotary switches are housed in a standard P11 module size 12.7 mm x 12.7 mm x 5.08 mm (0.5" x 0.5" x 0.2"). They have the same terminal styles as the assembled electrical modules.

An assembly can comprise 1 or more switch modules.

Switch actuation is described as seen from the shaft end.

D: means actuation in maximum CCW position

F: means actuation in maximum CW position

The switch actuation travel is 25° with a total mechanical travel of 300° ± 5° and electrical travel of electrical module is 238° ± 10°.

Leads finish: Gold plated.

### RDS SINGLE POLE SWITCH, NORMALLY OPEN

In full CCW position, the contact between 1 and 3 is open. It is made at the beginning of the travel in CW direction.

### RSF SINGLE POLE SWITCH, NORMALLY OPEN

In full CW position, the contact between 1 and 3 is open. It is made at the beginning of the travel in CCW direction.

### RSID SINGLE POLE CHANGEOVER

In full CCW position, the contact is made between 3 and 2 and open between 3 and 1. Switch actuation (CW direction) reverses these positions.

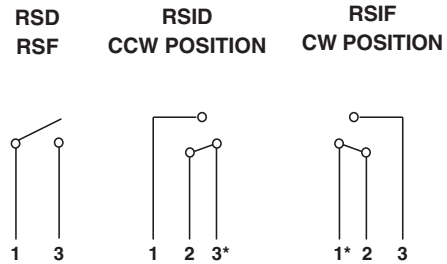
### RSIF SINGLE POLE CHANGEOVER

In full CW position, the contact is made between 1 and 2 and open between 1 and 3. Switch actuation (CCW direction) reverses these positions.

### SWITCH SPECIFICATIONS

Switching Power Maximum		62.5 VA v 15 VA =
Switching Current Maximum		0.25 A 250 V v 0.5 A 30 V =
Maximum Current Through Element		2 A
Contact Resistance		30 mΩ
Dielectric Strength	Terminal to Terminal	1000 V <sub>RMS</sub>
	Terminal to Bushing	5000 V <sub>RMS</sub>
Maximum Voltage Operation		250 V v 30 V =
Insulation Resistance Between Contacts		10 <sup>6</sup> MΩ
Life at P <sub>max</sub> .		10 000 actuations
Minimal Travel		25°
Operating Temperature		- 40 °C to + 85 °C

### ELECTRICAL DIAGRAM



**Note**  
• Common

### ORDERING INFORMATION (First order only)

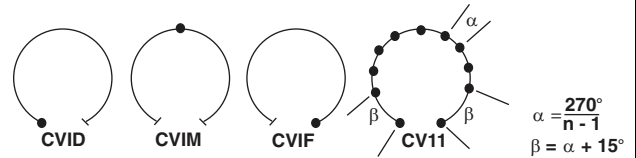
**RSID**

<b>RSD</b>	SPST: Single pole, open switch in CCW position - 2 pins
<b>RSF</b>	SPST: Single pole, open switch in CW position - 2 pins
<b>RSID</b>	SPDT: Single pole, changeover switch in CCW position - 3 pins
<b>RSIF</b>	SPDT: Single pole, changeover switch in CW position - 3 pins

**P11 OPTION: DETENT MODULES**

The valley detents mechanism is housed in a standard P11 module. Up to 21 detents position available.  
Count detents as follows: 1 for CCW position, 1 for full CW position, plus the other positions forming equal resistance increments (linear taper) - not equal angles.

Available now: CVID - CVIF - CVIM  
CV3 - CV11 - CV21



Rotational life: 10 000 cycles

**ORDERING INFORMATION** (First order only for special code creation)

**CV1M**

- CV1M** 1 detent at half travel
- CV1M J84** CV1M with accuracy of center point  $\pm 2\%$  (all laws except S)
- CV1D** 1 detent at CCW position
- CV1F** 1 detent at CW position
- CV3** 3 detents
- CV11** 11 detents
- CV21** 21 detents

**P11 OPTION: NEUTRAL MODULES "EN"**

Neutral or screen module is housed in a standard P11 module.  
It is used as a screen between two electrical modules.

The leads can be connected to ground.

**ORDERING INFORMATION** (First order only for special code creation)

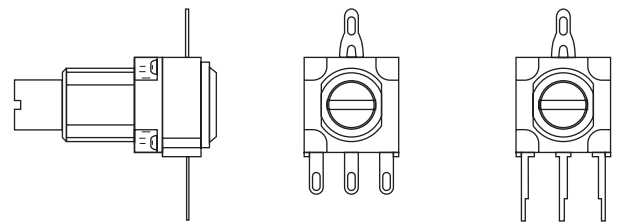
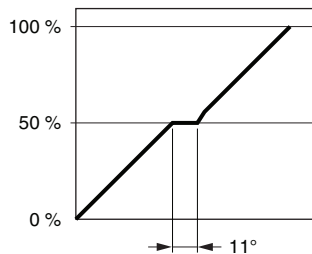
**EN**

- EN** Neutral module

**P11 OPTION: CENTER CURRENT TAP "J"**

The extra terminal is a solder lug connected at 50 % of electrical travel and situated in the potentiometer module opposite the terminals.

Center tap presents a short circuit of  $11^\circ$  of travel.

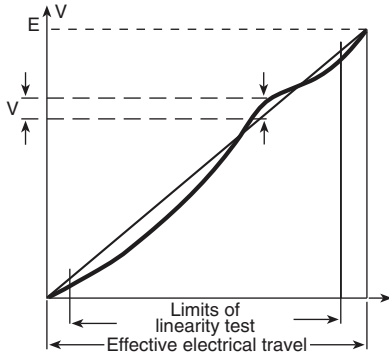


**ORDERING INFORMATION** (First order only)

**J**

- J** Center tap

**P11 OPTION: SPECIAL LINEARITY - CONFORMITY**



The independent linearity (conformity for the non linear laws) is the maximum gap  $\Delta V$  between the actual variation curve and the theoretical variation curve the nearest to it. The linearity and the conformity are expressed in percentage of the total applied voltage  $E$

$$\text{linearity conformity} = \frac{\pm \Delta V_{\max}}{E}$$

They are measured over 90 % of actual electrical travel (centered).

On request linearity can be guaranteed in linear law.

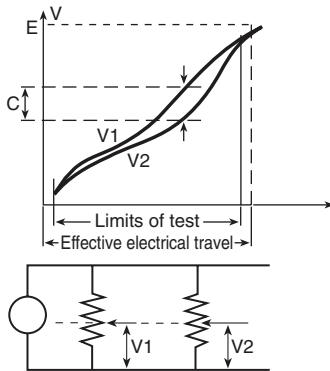
**ORDERING INFORMATION** (First order only)

**J123**

**J123** Independent linearity  $\pm 3\%$  (linear law)  
**J145** Independent linearity  $\pm 2\%$  (linear law)

For other request, contact us.

**P11 OPTION: SPECIAL INTERLINEARITY - INTERCONFORMITY**



It is the maximum deviation between the actual voltage outputs of 2 or more pot modules in the same assembly. It is expressed as a percentage of the total applied voltage, or in dB attenuation.

Interlinearity is measured between 2 pot modules, over 10 to 90 % of the attenuation.

The interlinearity or interconformity is expressed as a percentage of the total applied voltage:

$$I \% = \frac{|C|}{E}$$

Or in decibels by comparison between outputs  $V_1$  and  $V_2$

$$I \text{ dB} = 20 \log \frac{V_1}{V_2}$$

**ORDERING INFORMATION** (First order only)

**J44**

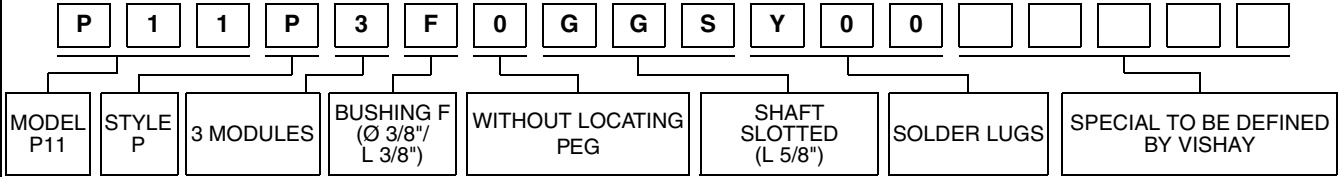
**J44** Interlinearity  $\pm 2\%$  (linear law)

For other request, contact us.



**EXAMPLES OF FIRST ORDER INFORMATION**

FIRST EXAMPLE: Triple module (switch is counted as a module)



**ORDERING INFORMATION:**

PART NUMBER	P11P3F0GGSY00.....	
SHAFT AND BUSHING	See drawing of special shaft attached	
MODULE NO. 1	RSID	
MODULE NO. 2	103 M A	J123
MODULE NO. 3	503 M A	J

**PART NUMBER DESCRIPTION** (used on some Vishay document or label, for information only)

P11P	3	F	0	GG	S	Y00	10K	20 %	A			e3
MODEL	MODULES	BUSHING	OPTION	SHAFT	SHAFT STYLE	LEADS	VALUE	TOL.	TAPER	SPECIAL	SPECIAL	LEAD (Pb)- FREE



## Disclaimer

All product specifications and data are subject to change without notice.

Vishay Intertechnology, Inc., its affiliates, agents, and employees, and all persons acting on its or their behalf (collectively, "Vishay"), disclaim any and all liability for any errors, inaccuracies or incompleteness contained herein or in any other disclosure relating to any product.

Vishay disclaims any and all liability arising out of the use or application of any product described herein or of any information provided herein to the maximum extent permitted by law. The product specifications do not expand or otherwise modify Vishay's terms and conditions of purchase, including but not limited to the warranty expressed therein, which apply to these products.

No license, express or implied, by estoppel or otherwise, to any intellectual property rights is granted by this document or by any conduct of Vishay.

The products shown herein are not designed for use in medical, life-saving, or life-sustaining applications unless otherwise expressly indicated. Customers using or selling Vishay products not expressly indicated for use in such applications do so entirely at their own risk and agree to fully indemnify Vishay for any damages arising or resulting from such use or sale. Please contact authorized Vishay personnel to obtain written terms and conditions regarding products designed for such applications.

Product names and markings noted herein may be trademarks of their respective owners.



Компания «ЭлектроПласт» предлагает заключение долгосрочных отношений при поставках импортных электронных компонентов на взаимовыгодных условиях!

Наши преимущества:

- Оперативные поставки широкого спектра электронных компонентов отечественного и импортного производства напрямую от производителей и с крупнейших мировых складов;
- Поставка более 17-ти миллионов наименований электронных компонентов;
- Поставка сложных, дефицитных, либо снятых с производства позиций;
- Оперативные сроки поставки под заказ (от 5 рабочих дней);
- Экспресс доставка в любую точку России;
- Техническая поддержка проекта, помощь в подборе аналогов, поставка прототипов;
- Система менеджмента качества сертифицирована по Международному стандарту ISO 9001;
- Лицензия ФСБ на осуществление работ с использованием сведений, составляющих государственную тайну;
- Поставка специализированных компонентов (Xilinx, Altera, Analog Devices, Intersil, Interpoint, Microsemi, Aeroflex, Peregrine, Syfer, Eurofarad, Texas Instrument, Miteq, Cobham, E2V, MA-COM, Hittite, Mini-Circuits, General Dynamics и др.);

Помимо этого, одним из направлений компании «ЭлектроПласт» является направление «Источники питания». Мы предлагаем Вам помощь Конструкторского отдела:

- Подбор оптимального решения, техническое обоснование при выборе компонента;
- Подбор аналогов;
- Консультации по применению компонента;
- Поставка образцов и прототипов;
- Техническая поддержка проекта;
- Защита от снятия компонента с производства.



#### Как с нами связаться

**Телефон:** 8 (812) 309 58 32 (многоканальный)

**Факс:** 8 (812) 320-02-42

**Электронная почта:** [org@eplast1.ru](mailto:org@eplast1.ru)

**Адрес:** 198099, г. Санкт-Петербург, ул. Калинина, дом 2, корпус 4, литера А.