

Low Pass EMI Filters

the industry's most complete line of EMI filters gives you more style, size, IL performance and cost alternatives



Low Pass EMI Advantages

API Technologies' Spectrum Control brand was founded in 1968 as a designer and manufacturer of Electromagnetic Interference (EMI) filters. Today, API continues that work, combining knowledge with excellence. These many years of experience have yielded an engineering-driven team that understands how and where potential EMI problems exist in an electronic system and how to best eliminate them. With an extensive library of standard products and a willingness to develop an application-specific custom solution, our customers count on us to help them satisfy global EMC standards while meeting demanding design parameters.

Motor Line Feed-Through (MLFT) Filters are high capacitance filters specifically designed for DC motor and other lower voltage applications. This one-component solution addresses EMI noise issues and eliminates the need for multiple components and electrical connections... **LP2**

Solder-In Filters offer an ideal solution for applications in critical areas where space does not allow for use of mounting tools or hardware. Available in C, Pi and standard L circuit configurations and primarily used in filtering signal/data lines and AC power lines... **LP3-LP7**

9900 Series Filters have a knurled design allowing them to be pressed into place creating a reliable mechanical bond making them an excellent choice for applications where soldering is undesirable... **LP8-LP11**

Spec Spin Filters are an excellent choice for applications that require many lines to be filtered in close proximity to each other due to their space saving #2-56 threaded miniature EMI spinner design. These filters are designed without a hex and do not require soldering for installation... **LP12**

Resin Sealed Filters provide excellent environmental protection in a rugged case that is resin sealed at both ends and easily mounted with a tapped hole or through hole. These filters are provided in C, L and Pi configurations with metric threading available... **LP13-LP24**

High Current Resin Sealed Filters are ideal for use in high current 5 volt logic buss, as well as ± 48 VDC telephone rack buss, high current switch mode power supplies and DC charging systems. These filters feature rugged bolt-in style for easy installation... **LP25-LP26**

Hermetically Sealed Filters feature hermetic glass seals and high EMI filtering performance making them highly reliable in the toughest environmental conditions. These filters are available with C, L, Pi, T and double T configurations with MIL-F-15733 and MIL-F-28861 QPL filters available... **LP27-LP42**

Value Added Assemblies offer flexible solutions by allowing you to add connectors, modify terminations or add wire harnesses, thereby lowering your cost of acquisition and assembly, reducing your production time/costs and inventory, all while giving you a filter assembly that meets your unique design challenges... **LP43**

- Wide range of package sizes, mounting options and circuit configurations offering maximum design flexibility
- Develop custom application-specific solutions addressing your mechanical and electrical requirements
- High reliability construction... built in accordance to MIL-PRF-15733 or MIL-PRF-28861
- Over 800 standard QPL products and DSCC part numbers
- Effective filtering up to 18 GHz
- Reliability testing available for customer specific requirements

For complete specs and drawings, visit eis.apitech.com/low_pass_filters.asp

Motor Line Feed-Through (MLFT) Filters (Patent Pending)

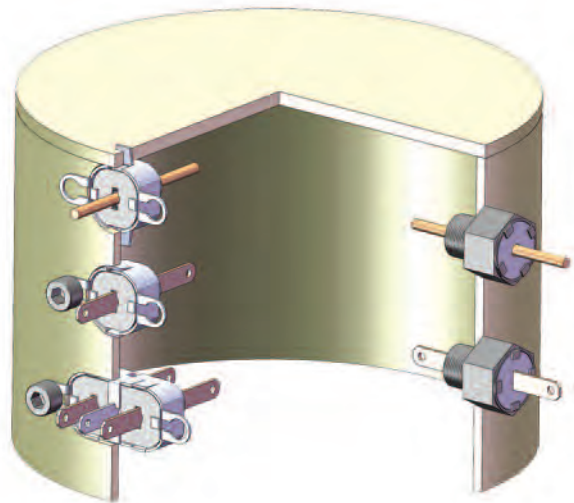


As the world leader in EMC, API Technologies' Spectrum Control brand has developed a family of high capacitance filters specifically designed for DC motor and other lower voltage applications. The Motor Line Feed-Through (MLFT) filter is a one-component solution that eliminates the need for multiple capacitors, inductive coils, leads and PCB assemblies requiring numerous electrical connections and large amounts of space. MLFT filters (patent pending) are engineered to provide the required EMI filtering and mechanical interface at a reduced cost.

MLFT filters offer significant insertion loss to pass global conductive and radiated EMC tests, such as CISPR 25. Our standard line of filters can be designed into mechanical packages for easy retrofit into existing designs or as custom assemblies to simplify installation during production. These filters are available in stamped or threaded housings, with single or dual lines, and round leads or Faston terminals for applications to 100 volts.

Benefits

- Easy installation, provides a connector interface
- Excellent EMI filtering through GHz range
- Competitive cost
- Space saving EMI solution
- Fewer electrical connections
- Failsafe DC open circuit for safety concerns
- Standard and custom filtering and mechanical packages
- Transient voltage and surge protection available



Ordering Information

Example: **MLFT2-001-TFCAC**

The part number shown represents a single line, threaded MLFT Filter with Faston Terminals, a capacitance rating of 0.20 μ F and a voltage rating of 100V.

MLFT2	-	001	-	T		F		CA		C
Motor Line Feed-Through Filter				Style		Terminal		Capacitance		Voltage Rating
				T = Single line threaded S = Single line stamped D = Dual line stamped		F = .110 Faston R = .062 round lead		CA = .20 μ F CC = 2000 pF CD = 20 pF		C = 100V

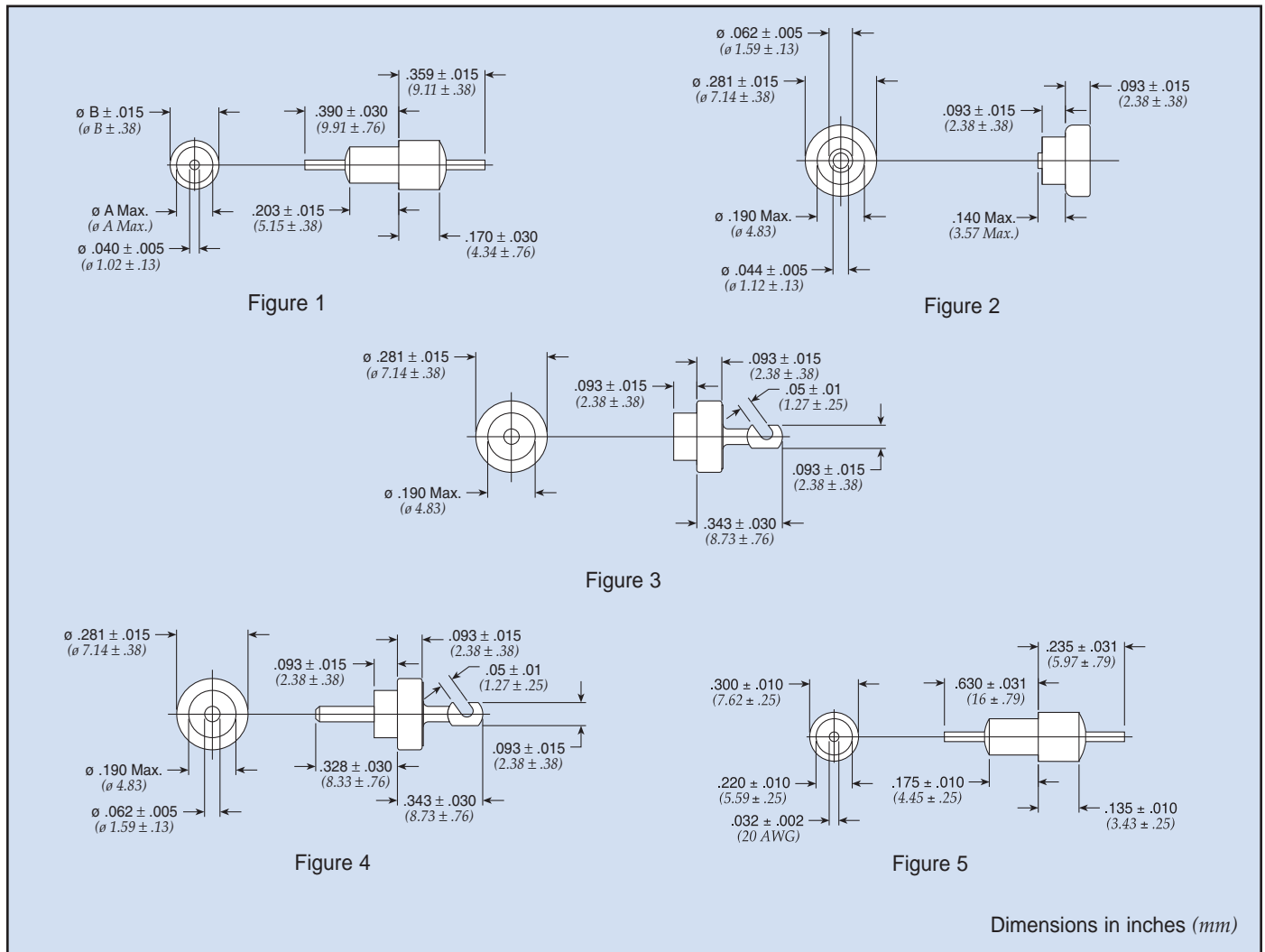
Solder-in Filters



Solder-in filters are ideal for use in critical areas where space does not allow use of mounting tools or hardware. The solder-in feature also allows installation in unison with other board mounted components. Primarily used in filtering signal/data lines and DC power lines.

Features

- Small size to allow effective use of space
- Voltage ratings to 750 VDC
- Multiple circuit configurations: C, L & Pi available
- High temperature construction to prevent reflow during installation
- MIL-F-15733 QPL versions available



Solder-in Filters

Solder-in C Circuit

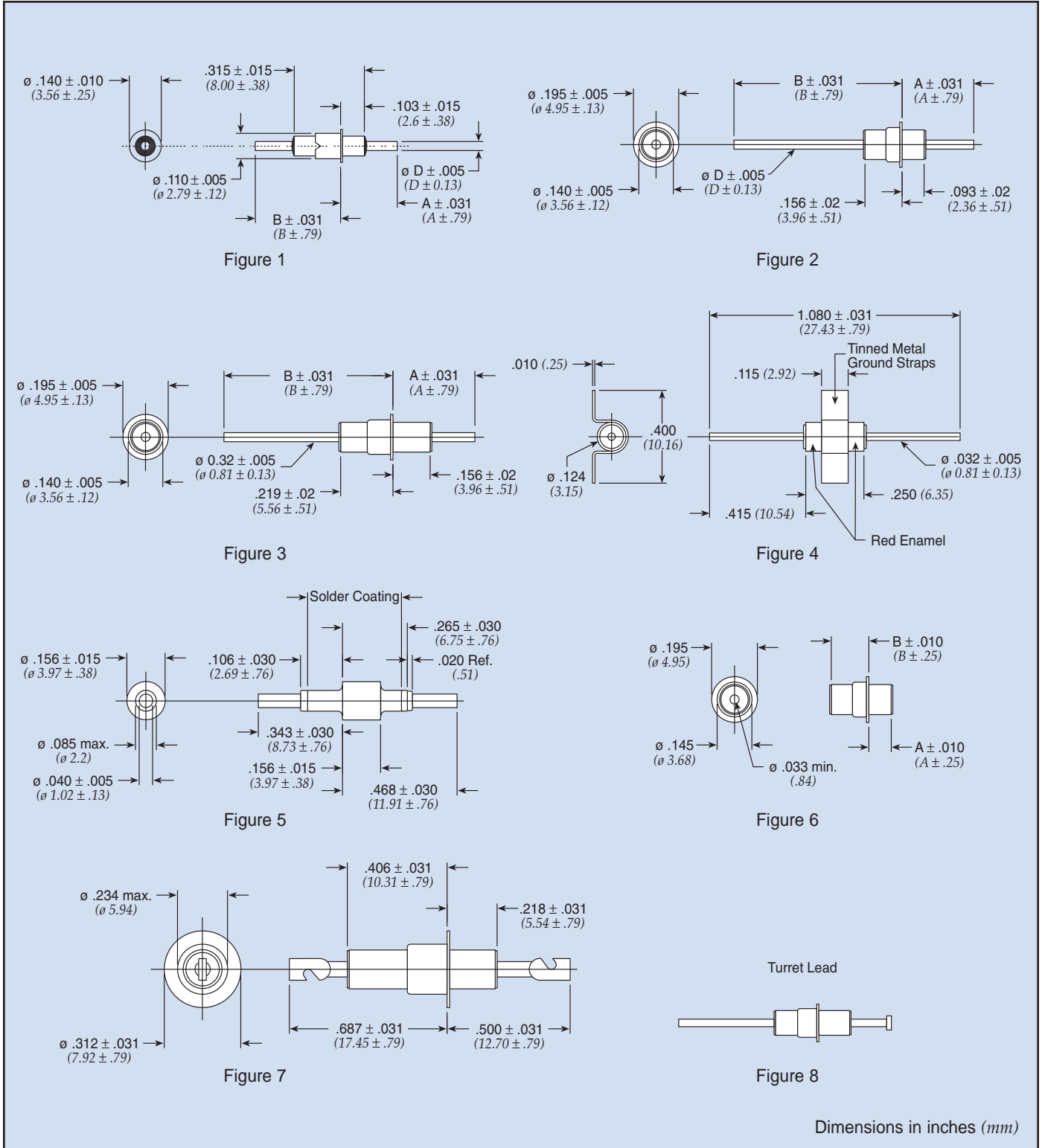
Part Number	See Pg. LP3 for Fig.	A		B		Rated Voltage 125°C DC	I Amp	Cap*	Minimum Insertion Loss (dB)						
		In	(mm)	In	(mm)				1 MHz	10 MHz	30 MHz	100 MHz	300 MHz	1 GHz	10 GHz
54-786-003	1	0.156	(3.96)	0.203	(5.16)	50	10	0.30 µF	32	47	54	60	66	70	70
54-785-002	1	0.125	(3.18)	0.184	(4.67)	100	10	0.05 µF (min)	16	33	41	45	48	50	50
54794002X5R101M	4	—	—	—	—	250	25	100 pF ± 20%	—	—	—	—	10	20	20
54803004X5R101M	3	—	—	—	—	250	25	100 pF ± 20%	—	—	—	—	10	20	20
54802002X5R101M	2	—	—	—	—	250	25	100 pF ± 20%	—	—	—	—	10	20	20
† 54794002X5R471M	4	—	—	—	—	250	25	470 pF ± 20%	—	—	—	12	22	25	25
† 54803004X5R471M	3	—	—	—	—	250	25	470 pF ± 20%	—	—	—	12	22	25	25
54802002X5R471M	2	—	—	—	—	250	25	470 pF ± 20%	—	—	—	12	22	25	25
† 54802002X5V102P	2	—	—	—	—	250	25	1000 pF	—	—	—	15	25	35	40
† 54803004X5V102P	3	—	—	—	—	250	25	1000 pF	—	—	—	15	25	35	40
† 54794002X5V102P	4	—	—	—	—	250	25	1000 pF	—	—	—	15	25	35	40
† 54-786-077	5	—	—	—	—	750	10	1000pF	—	4	—	20	25	35	40

† Also available through API's authorized distributors.

* Tolerances are +100/-0% unless noted.

Solder-in Filters

Solder-in Pi Circuit

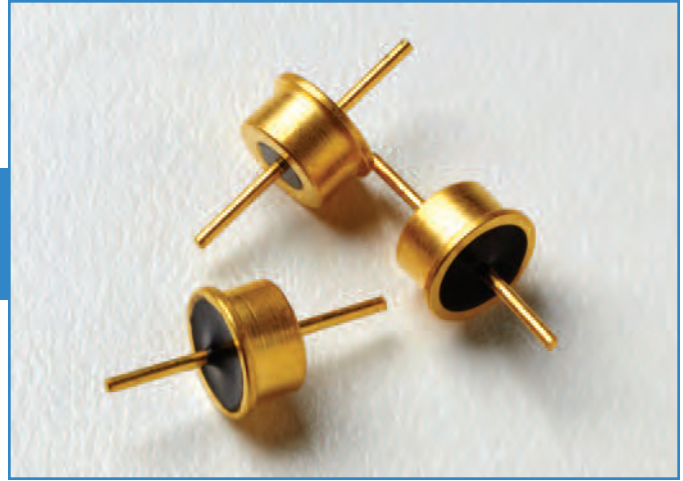


Solder-in Filters

Solder-in Pi Circuit

Part Number	M15733 MIL Number	See Pg. LP5 for Fig.	A		B		D		Rated Voltage 125°C		I Amp	Min Cap	Minimum Insertion Loss (dB)						
			In	(mm)	In	(mm)	In	(mm)	DC	AC			1 MHz	10 MHz	30 MHz	100 MHz	300 MHz	1 GHz	10 GHz
			51-703-013*	/62-0003	3	0.312	(7.92)	0.469	(11.91)	0.032			(0.81)	70	—	10	1500 pF	—	5
51-750-309*	/62-0004	2	0.268	(6.81)	0.780	(19.81)	0.032	(0.81)	70	—	10	0.012 µF	5	22	50	70	70	65	65
† 1234-000* €	—	2	0.257	(6.53)	0.780	(19.81)	0.032	(0.81)	70	—	10	0.012 µF	5	25	50	70	70	70	70
51-749-304	—	4	—	—	—	—	—	—	70	—	10	0.012 µF	5	25	50	70	70	65	65
1234-001	—	4	—	—	—	—	—	—	70	—	10	0.012 µF	5	25	50	70	70	65	65
† 51-750-301*	—	2	0.250	(6.35)	0.780	(19.81)	0.032	(0.81)	70	—	10	0.012 µF	5	25	50	70	70	70	70
† 1233-000* €	—	3	0.312	(7.92)	0.780	(19.81)	0.032	(0.81)	70	—	10	0.022 µF	7	35	60	70	70	70	70
† 51-750-302*	—	3	0.312	(7.92)	0.780	(19.81)	0.032	(0.81)	70	—	10	0.022 µF	7	25	60	70	70	70	70
51-750-313	/51-0002	3	0.312	(7.92)	0.780	(19.81)	0.032	(0.81)	70	—	10	0.022 µF	7	25	60	70	70	70	70
† 51-723-303	—	5	—	—	—	—	—	—	200	—	10	1300 pF	—	5	15	30	45	55	55
51-713-010	/62-0002	1	1.140	(28.96)	1.277	(32.44)	0.032	(0.81)	200	—	10	1500 pF	—	5	12	45	50	70	70
† 1251-001 €	—	1	1.109	(28.17)	1.206	(30.63)	0.032	(0.81)	200	—	10	1500 pF	—	5	15	40	50	70	70
51-703-001*	—	3	0.312	(7.92)	0.406	(10.31)	0.032	(0.81)	200	—	10	1500 pF	—	8	17	45	65	70	70
† 1203-050 €	—	3	0.312	(7.92)	0.406	(10.31)	0.032	(0.81)	200	—	10	1500 pF	—	5	15	45	50	70	70
51-703-012*	/62-0001	3	0.312	(7.92)	0.406	(10.31)	0.032	(0.81)	200	140	10	1500 pF	—	3	15	45	50	70	70
51-713-002	—	1	1.103	(28.01)	1.212	(30.78)	0.032	(0.81)	200	—	10	1500 pF	—	5	12	40	70	70	70
1214-029	—	2	0.288	(7.31)	0.780	(19.81)	0.032	(0.81)	200	—	10	1750 pF	—	5	15	50	60	60	70
† 1214-007 €	—	6	0.093	(2.36)	0.157	(3.99)	—	—	200	—	10	1750 pF	—	5	15	35	50	60	60
51-707-002*	—	2	0.288	(7.31)	0.780	(19.81)	0.032	(0.81)	200	—	10	1750 pF	—	8	17	50	65	70	70
† 1214-001*	—	2	0.288	(7.31)	0.780	(19.81)	0.032	(0.81)	200	—	10	1750 pF	—	5	15	50	50	60	60
† 51-707-006*	/33-0001	2	0.288	(7.31)	0.780	(19.81)	0.032	(0.81)	200	90	10	1750 pF	—	5	15	50	50	60	60
51-707-007	/33-0002	2	0.288	(7.31)	0.780	(19.81)	0.032	(0.81)	200	90	10	1750 pF	—	5	15	50	50	60	60
51-707-026	/66-0001	6	0.288	(7.31)	0.157	(3.99)	—	—	200	—	10	1750 pF	—	5	15	35	50	50	50
† 51-750-322	—	2	1.123	(28.52)	1.347	(34.21)	0.040	(1.02)	200	—	10	3000 pF	—	7	25	50	65	65	65
51-703-007*	/51-0001	3	0.312	(7.92)	0.406	(10.31)	0.032	(0.81)	200	200	10	5500 pF	—	15	30	55	65	70	70
1223-012	—	1	0.240	(6.10)	0.360	(9.14)	0.040	(1.02)	200	—	15	3000 pF	—	7	25	50	65	65	65
† 1204-050 €	—	7	0.210	(5.34)	—	—	—	—	500	—	25	3000 pF	—	8	25	50	65	70	70
51-704-002	/40-0001	7	0.234	(5.94)	—	—	—	—	500	350	25	3000 pF	—	7	25	55	65	70	70

* Denotes parts with turret on one end per Figure 8.
 † Also available through API's authorized distributors.
 € Also available through API's authorized European distributors/agents.



Large Diameter Solder-in High Temp Filters

Features

- .400" diameter mounting vs .128" diameter mounting
- High temperature construction withstands 300°C installation temperatures
- Increased capacitance values than standard 9900 series - up to 1.2uF
- EMI filtering from 500KHz up to 10GHz
- 15 Amp current rating
- Ideal for low to medium impedance circuits where large amounts of capacitance to ground can be tolerated (feed-thru "C" circuit)
- Glass seal one end provides protection from hostile environments and maintain hermeticity
- Rugged monolithic discoidal capacitor construction
- Gold plated suited for gold bonding
- Designed to be soldered into a package, bracket or bulkhead
- Reverse seal available
- Special lead length and end terminations available

Large Diameter Solder-in High Temp Filters

Part Number	Circuit	AMP	DC Voltage	Min Cap (µf)	Minimum Insertion Loss (dB)					
					500 KHz	1 MHz	10 MHz	100 MHz	1 GHz	10 GHz
SCI-9945-125H	C	15	50	1.2	33	37	52	70	70	70
SCI-9945-504H	C	15	100	.50	26	34	42	58	70	70
SCI-9945-754H	C	15	100	.75	31	37	43	62	70	70
SCI-9945-105H	C	15	100	1.0	31	40	48	64	70	70
SCI-9945-503HAC	C	15	200*	.050	7	15	34	42	70	70
SCI-9945-154HAC	C	15	200*	.15	17	24	38	50	70	70
SCI-9945-103H	C	15	400	.010	—	4	20	34	50	60
SCI-9945-503H	C	15	400	.050	7	15	34	44	70	70

* Rated 200VDC or 125VAC/400Hz

Miniature Solder-in Filters 9900 Series

These filters are ideal for microwave applications such as attenuators and oscillators, and perform well in high impedance circuits where large capacitance values are not practical.

Features

- Miniature size to allow effective use of space
- Standard capacitance values from 5pF to .033μF
- Voltage ratings to 200 VDC/115 VAC 0–400 Hz
- Hermetically sealed on one end allows for through-hole sealing between compartments
- High temperature construction meets MIL-F-28861 solderability and resistance to soldering heat requirements
- Available in MIL-C-11015 versions — see page CF10
- Gold plating compatible with gold bonding techniques

Marking C Circuit

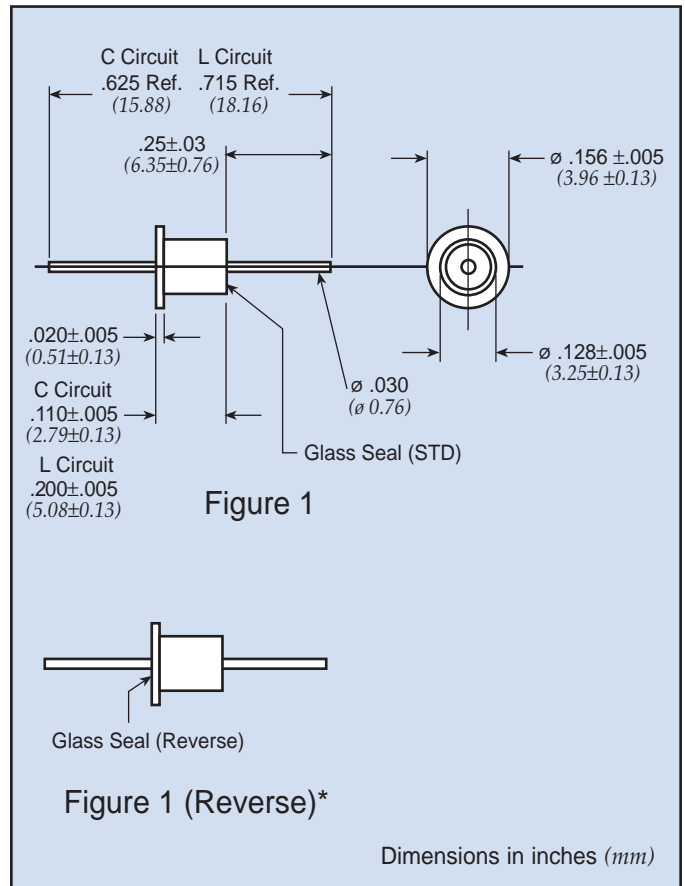
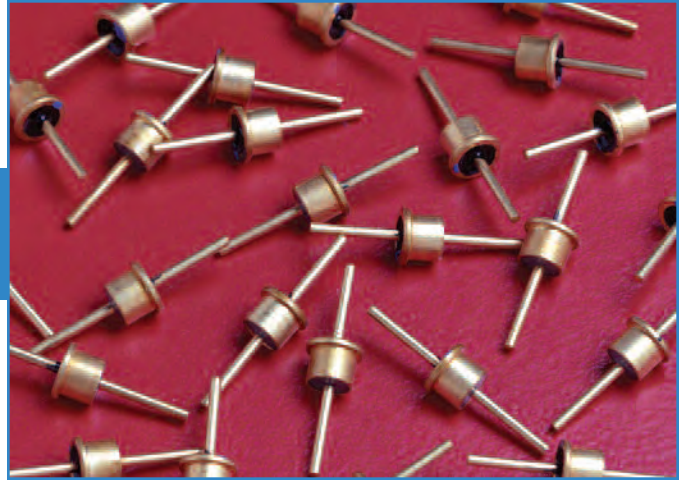
Color dot standard as follows:

- | | |
|-----------------------|-----------------------|
| ● 101 Green – 100pF | ● 272 Red – 2700pF |
| ● 501 Brown – 500pF | ● 502 Blue – 5000pF |
| ● 102 Purple – 1000pF | ● 153 Pink – 15000pF |
| ● 122 White – 1200pF | ● 000 None – 10pF max |

Marking L Circuit

Color dot standard as follows:

- | | |
|-----------------------|-----------------------|
| ● 100 Violet – 10pF | ● 103 2White – .01μF |
| ● 250 Blue – 25pF | ● 153 2White – .015μF |
| ● 102 White – 1000pF | ● 273 2Red – 27000pF |
| ● 152 White – 1500pF | ● 333 2Red – .033μF |
| ● 502 Yellow – 5000pF | |



Miniature Solder-in Filters 9900 Series

Miniature Solder-in C Circuit

Part Number*	Figure	Rated Voltage 125°C		I Amp	Min Cap	Minimum Insertion Loss (dB)						
		DC	AC			1 MHz	10 MHz	30 MHz	100 MHz	300 MHz	1 GHz	10 GHz
SCI-9900-153	1	50		5	0.015 µF	7	25	30	40	40	60	60
SCI-9900-303	1	50		5	0.030 µF	10	30	35	45	50	55	55
† SCI-9910-272	1	100		5	2700 pF	—	10	18	25	33	40	50
† SCI-9910-502	1	100		5	5000 pF	—	15	20	30	35	45	55
SCI-9900-000	1	200		5	4 pF max.	—	—	—	—	—	10	10
† SCI-9920-101	1	200	115	5	100 pF	—	—	—	3	10	20	28
† SCI-9920-501	1	200	115	5	500 pF	—	—	—	15	22	35	40
† SCI-9920-122	1	200	115	5	1200 pF	—	5	10	20	28	35	45

* For reverse glass seal add an "R" to the end of the part number (SCI-9900-153R).

† Also available through API's authorized distributors.

Parts are RoHS Compliant

Miniature Solder-in L Circuit

Part Number*	Figure	Rated Voltage 125°C		I Amp	Min Cap	Minimum Insertion Loss (dB)				
		DC	AC			1 MHz	10 MHz	100 MHz	1 GHz	10 GHz
SCI-9980-100	1	200		10	10 pF	—	—	—	7	20
SCI-9980-101	1	200		10	100 pF	—	—	5	22	35
SCI-9980-102	1	200		10	1000 pF	—	8	25	40	42
SCI-9980-103	1	200		10	.01 µF	8	27	48	65	65
SCI-9980-122	1	200		10	1200 pF	—	8	28	42	50
SCI-9980-152	1	200		10	1500 pF	—	10	28	43	53
SCI-9980-153	1	200		10	.015 µF	10	28	50	65	65
SCI-9980-250	1	200		10	25 pF	—	—	—	13	25
SCI-9980-272	1	200		10	2700 pF	8	13	32	45	55
SCI-9980-273	1	50		10	27,000 pF	13	33	53	75	75
SCI-9980-333	1	200		10	.033 µF	13	35	55	75	75
SCI-9980-501	1	200		10	500 pF	—	—	18	37	38
SCI-9980-502	1	200		10	5000 pF	8	17	35	47	55

* Reverse seal available. Add R at the end of the part number. (SCI-9980-102R).

Note: Hi-rel versions available. Add R after the first dash. (SCI-R9980-102).

Lt circuit part number series SCI-9981-XXX.

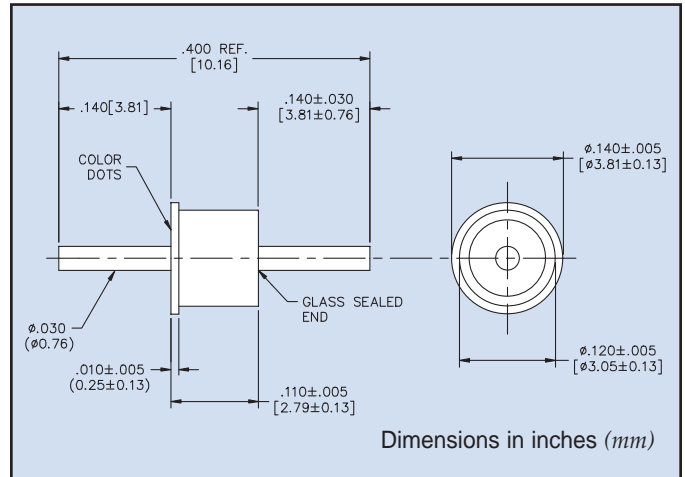
Parts are RoHS Compliant

Spec Mini Solder-in Feed-Thru Filters

API Technologies miniature solder-in filters are hermetically sealed on one end for thru-hole sealing between compartments allowing it to be soldered into a package, bracket, or bulkhead while maintaining hermetically. These mini EMI filters are ideal for a variety of products intended for use in the microwave frequency spectrum including oscillators, attenuators, and synthesizers. The high temperature construction meets military requirements for solderability and resistance to soldering heat and its high-purity gold plating provides excellent compatibility with gold bonding techniques.

Features

- .120" diameter mounting
- Capacitance values from 5pF to .027μF
- RoHS compliant
- Reverse seal available
- High temperature construction



Part Number	DC Amps	Working Voltage	Cap (μf)	Minimum Insertion Loss (dB)					
				500 KHz	1 MHz	10 MHz	100 MHz	1 GHz	10 GHz
SCI-9909-008	5	200	5	—	—	—	—	—	5
SCI-9909-009	5	200	10	—	—	—	—	5	20
SCI-9909-010	5	200	25	—	—	—	—	10	25
SCI-9909-011	5	200	50	—	—	—	—	10	25
SCI-9909-012	5	200	100	—	—	—	3	20	28
SCI-9909-013	5	200	250	—	—	—	5	22	30
SCI-9909-014	5	200	500	—	—	—	15	35	40
SCI-9909-015	5	200	1000	—	—	5	20	35	45
SCI-9909-016	5	200	1500	—	—	5	22	35	45
SCI-9909-017	5	100	2700	—	—	10	25	40	50
SCI-9909-018	5	100	5000	—	—	15	30	45	55
SCI-9909-019	5	50	10,000	—	4	21	35	50	60
SCI-9909-020	5	50	27,000	—	10	28	42	55	65

Spec Mini-Press 9900 Series

This new knurled filter is designed to be pressed into place and create a reliable mechanical bond. This feature makes it an excellent selection for applications where soldering is undesirable. Suitable plating is available that allows gold bonding to the terminals.

Applications

These filters are ideal for microwave and RF applications such as attenuators, synthesizers, and oscillators. They perform well in high impedance circuits where large capacitance values are not practical.

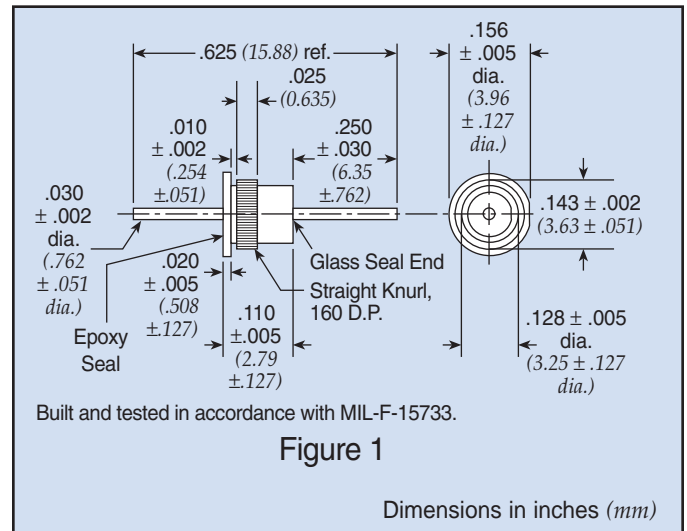
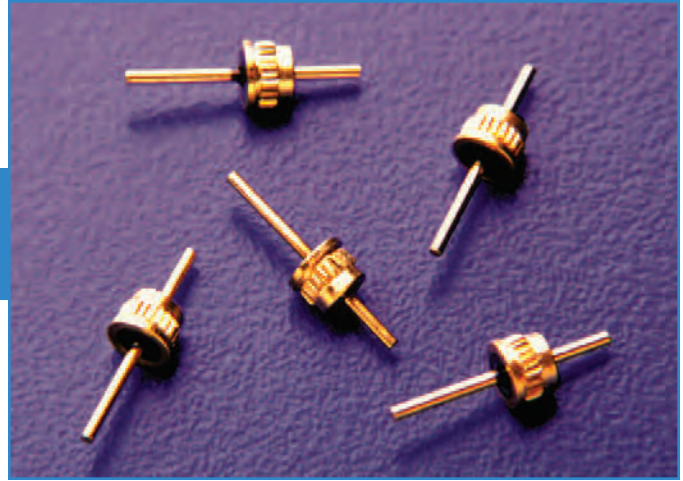
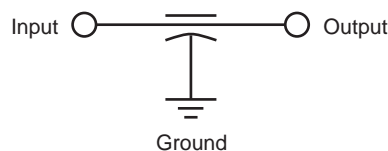
Installation

- .136" to .137" (3.45-3.48mm) diameter hole
- Hole must be free of all insulating materials.
- Installation tool must have a hole of sufficient depth and diameter to accept the terminal of the filter.
- Installation force must be applied gradually and smoothly until the flange of the filter is seated against the receiving part (request installation instructions).

Mechanical Specifications

- Installation* Press-in
- Plating* Gold
- Seal* Glass sealed on one end,
resin sealed on the other end
- Termination Options* Plating suitable for gold bonding
- Operating Temperature* -55°C to +125°C

Circuit Schematic



Insertion Tool

Part Number: SCI-9925-200

Part Number	Figure	Rated Voltage 125°C		I Amp	Cap	Minimum Insertion Loss (dB)						
		DC				1 MHz	10 MHz	30 MHz	100 MHz	300 MHz	1 GHz	10 GHz
† SCI-9925-153	1	50		5	0.015 μF +100%/-0%	7	25	30	40	40	60	60
† SCI-9925-303	1	50		5	0.030 μF +100%/-0%	10	30	35	45	50	55	55
† SCI-9925-502	1	100		5	5000 pF +100%/-0%	—	15	20	30	35	45	55
† SCI-9925-000	1	200		5	10 pF max.	—	—	—	—	—	10	10
† SCI-9925-101	1	200		5	100 pF +100%/-0%	—	—	—	3	10	20	28
† SCI-9925-501	1	200		5	500 pF +100%/-0%	—	—	—	15	22	35	40
† SCI-9925-122	1	200		5	1200 pF +100%/-0%	—	5	10	20	28	35	45
SCI-9925-272	1	200		5	2700 pF +100%/-0%	—	10	18	25	33	40	50

† Also available through API's authorized distributors.
Note: Parts are RoHS Compliant

Spec Spin Filters

API Technologies' Spectrum Control brand introduces the new space saving #2-56 threaded miniature EMI spanner filter. This new threaded filter is designed without a hex and does not require soldering for installation. These features make it an excellent selection for applications that require many lines to be filtered in close proximity. The easy swap out also allows for flexibility in filter replacement and capacitance substitution. Easy filter substitution also allows for flexibility in filter placement. Custom design queries are always welcome.

Applications

API's Spectrum Control brand spanner filter offers superior insertion loss over a broad frequency range when compared to surface mount components. The filter is available in capacitance values up to 10,000 pF, and is featured in a microcircuit package used in microwave applications such as frequency synthesizers, power amplifiers, MMW radio, and is ideal for commercial and high-reliability applications.

Electrical Specifications

Operating Temperature -55°C to +125°C

Voltage Rating 50 VDC

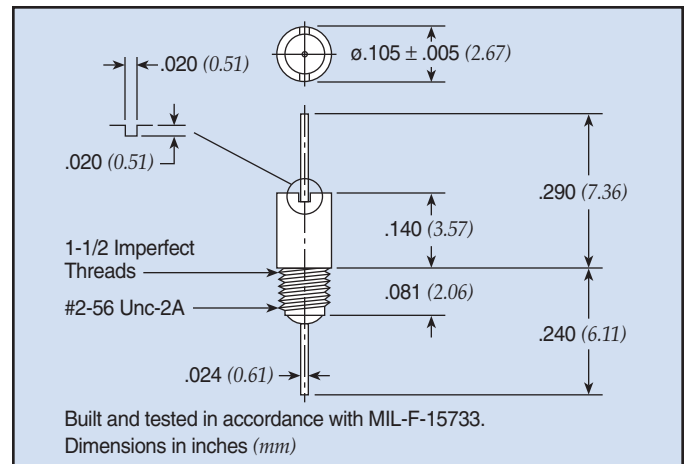
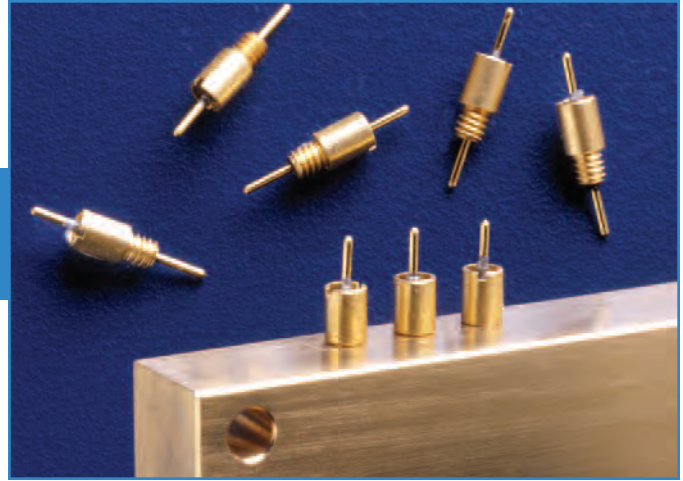
Current Rating 5 A

Effective Filtering From 1 MHz to 10 GHz

Capacitance to 10,000 pF

Dielectric Withstanding

Voltage 125 VDC



Mechanical Specifications

Center Spacing0110"

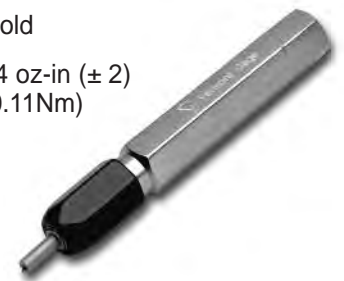
Lead Finish Gold

Bushing Finish Gold

Tightening Torque 14 oz-in (± 2)
(0.11Nm)

Insertion Tool

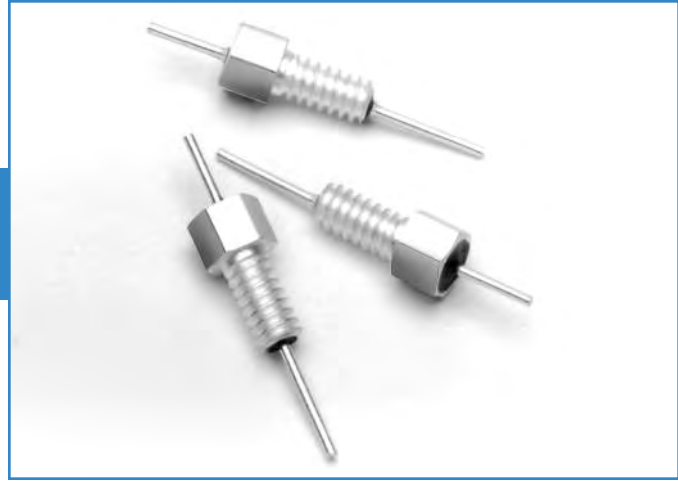
Part Number: 54-874-020



Part Number*	Cap (pF)	Max. Tolerance	Circuit	Current	Voltage	DWV	I.R.	Temperature Range
54-874-010	10	+0%/-20%	C	5 A	50 VDC	125 VDC	1,000 MΩ	-55°C to +125°C
54-874-011	39	+50%/-20%						
54-874-012	100							
54-874-013	390							
54-874-014	1,000							
54-874-015	2,000	+100%/-0%						
54-874-016	3,300							
54-874-017	4,700							
54-874-018	10,000	+80%/-20%						

Note: Parts are RoHS Compliant

Resin Sealed Bolt-in Filters



These filters are easily mounted in a tapped hole or through-hole with supplied nut and lock-washer. The rugged case with resin seals at both ends provides excellent environmental protection. Primarily used in filtering signal/data lines and DC power lines.

Features

- Wide range of sizes: 4-40 thread through 5/16-24 thread
- Voltage ratings to 500 VDC/220 VAC (400 Hz)
- MIL-F-15733 QPL filters available
- Multiple circuit configurations: C, L and Pi
- Metric threaded filters available, consult factory

4-40 C Circuit

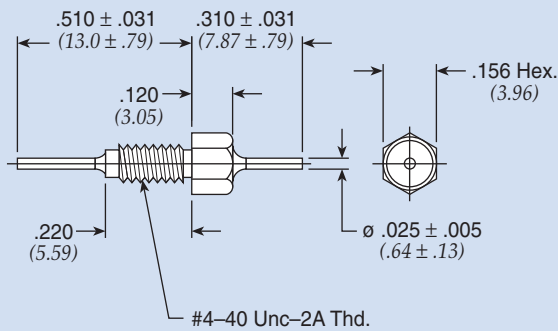


Figure 1

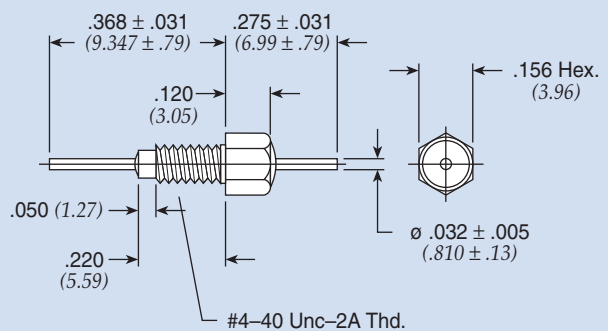


Figure 2

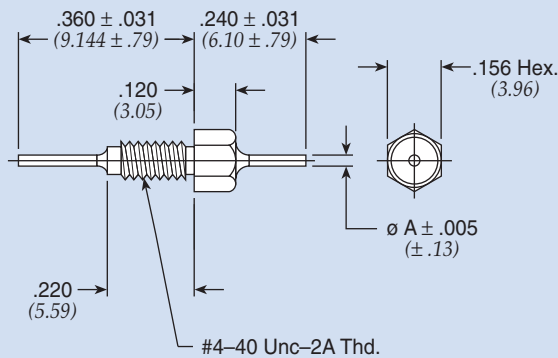


Figure 3

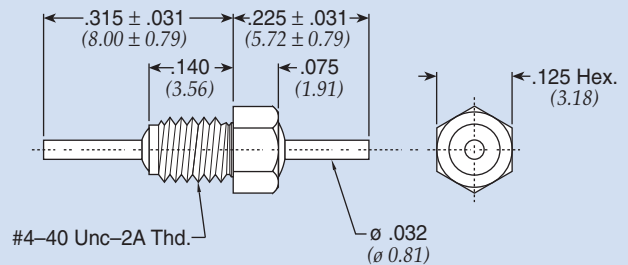


Figure 4

Dimensions in inches (mm)

Resin Sealed Bolt-in Filters

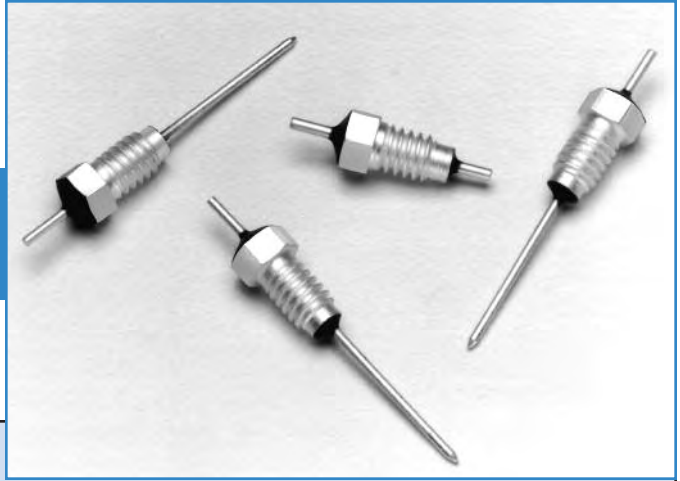
4-40 C Circuit

Part Number	See Pg. LP12 for Fig.	Rated Voltage 125°C		I Amp	Min Cap	A		Minimum Insertion Loss (dB)							
		DC	AC			In	(mm)	1 MHz	3 MHz	10 MHz	30 MHz	100 MHz	300 MHz	1 GHz	10 GHz
† SCI-9110-100	3	50	—	10	10 pF	0.032	(0.81)	—	—	—	—	—	—	10	10
† 9900-381-6004	2	50	—	10	5000 pF	—	—	—	—	15	22	30	35	45	55
9900-381-6026	2	50	—	10	0.031 µF	—	—	12	20	25	35	40	45	55	60
† 9900-381-6006	2	50	—	10	0.045 µF	—	—	14	22	30	40	45	50	55	60
† 54-790-023	1	100	—	10	0.050 µF	—	—	15	24	34	41	45	50	60	60
† 54790001X5F101M	1	100	—	10	100 pF ± 20%	—	—	—	—	—	—	—	10	20	25
54-790-019	1	100	—	10	2700 pF	—	—	—	—	9	18	27	33	35	35
9900-381-6013	2	100	—	10	2700 pF	—	—	—	—	10	18	25	33	40	50
54-790-020	1	100	—	10	5600 pF	—	—	—	—	15	24	33	37	40	40
SCI-9112-273	3	100	—	3	0.027 µF	0.016	(0.41)*	10	20	30	37	45	45	55	60
SCI-9110-273	3	100	—	10	0.027 µF	0.020	(0.51)	10	20	30	37	45	45	55	60
54-790-022	1	100	—	10	0.027 µF	—	—	10	20	30	37	45	50	55	60
† SCI-9112-503	3	100	—	3	0.05 µF	0.016	(0.41)*	15	24	35	41	45	50	60	60
SCI-9110-503	3	100	—	10	0.05 µF	0.020	(0.51)	15	24	35	41	45	50	60	60
54-862-001	4	200	—	10	10 pF	—	—	—	—	—	—	—	—	10	10
54-862-002	4	200	—	10	100 pF	—	—	—	—	—	—	3	10	20	28
54-862-003	4	200	—	10	1000 pF	—	—	—	—	—	—	15	25	35	40
† 9900-381-6020	2	200	—	10	100 pF	—	—	—	—	—	—	3	10	20	28
SCI-9122-101	3	200	115	3	100 pF	0.016	(0.41)*	—	—	—	—	—	10	20	20
SCI-9120-101	3	200	115	10	100 pF	0.020	(0.51)	—	—	—	—	—	10	20	20
9900-381-6021	2	200	—	10	500 pF	—	—	—	—	—	—	15	20	35	40
SCI-9122-102	3	200	115	3	1000 pF	0.016	(0.41)*	—	—	—	11	20	28	28	40
SCI-9120-102	3	200	115	10	1000 pF	0.020	(0.51)	—	—	—	11	20	28	28	40
† 9900-381-6022	2	200	—	10	1200 pF	—	—	—	—	5	9	20	28	35	45
SCI-9122-502	3	200	115	3	5000 pF	0.016	(0.41)*	—	—	15	24	33	37	40	50
SCI-9120-502	3	200	115	10	5000 pF	0.020	(0.51)	—	—	15	24	33	37	40	50
SCI-9122-103	3	200	115	3	0.01 µF	0.016	(0.41)*	—	12	20	29	38	45	50	55
SCI-9120-103	3	200	115	10	0.01 µF	0.020	(0.51)	—	12	20	29	38	45	50	55
9900-381-6005	2	200	—	10	0.015 µF	—	—	7	9	20	29	35	45	50	60
† 54-790-018	1	300	—	10	1000 pF	—	—	—	—	9	20	28	28	40	40
† 54-790-021	1	300	—	10	0.01 µF	—	—	—	9	20	29	38	45	50	50

* Tinned, steel leads.

† Also available through API's authorized distributors.

Resin Sealed Bolt-in Filters



4-40 L and Pi Circuit

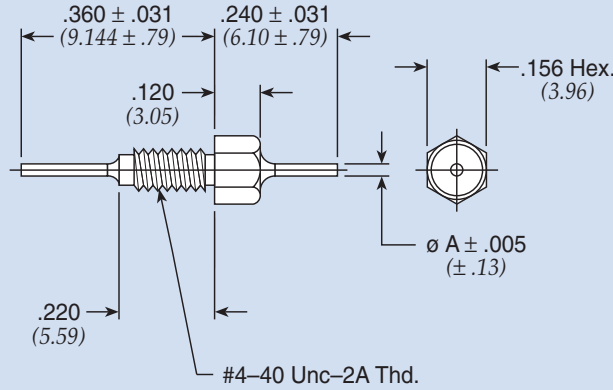


Figure 1

Dimensions in inches (mm)

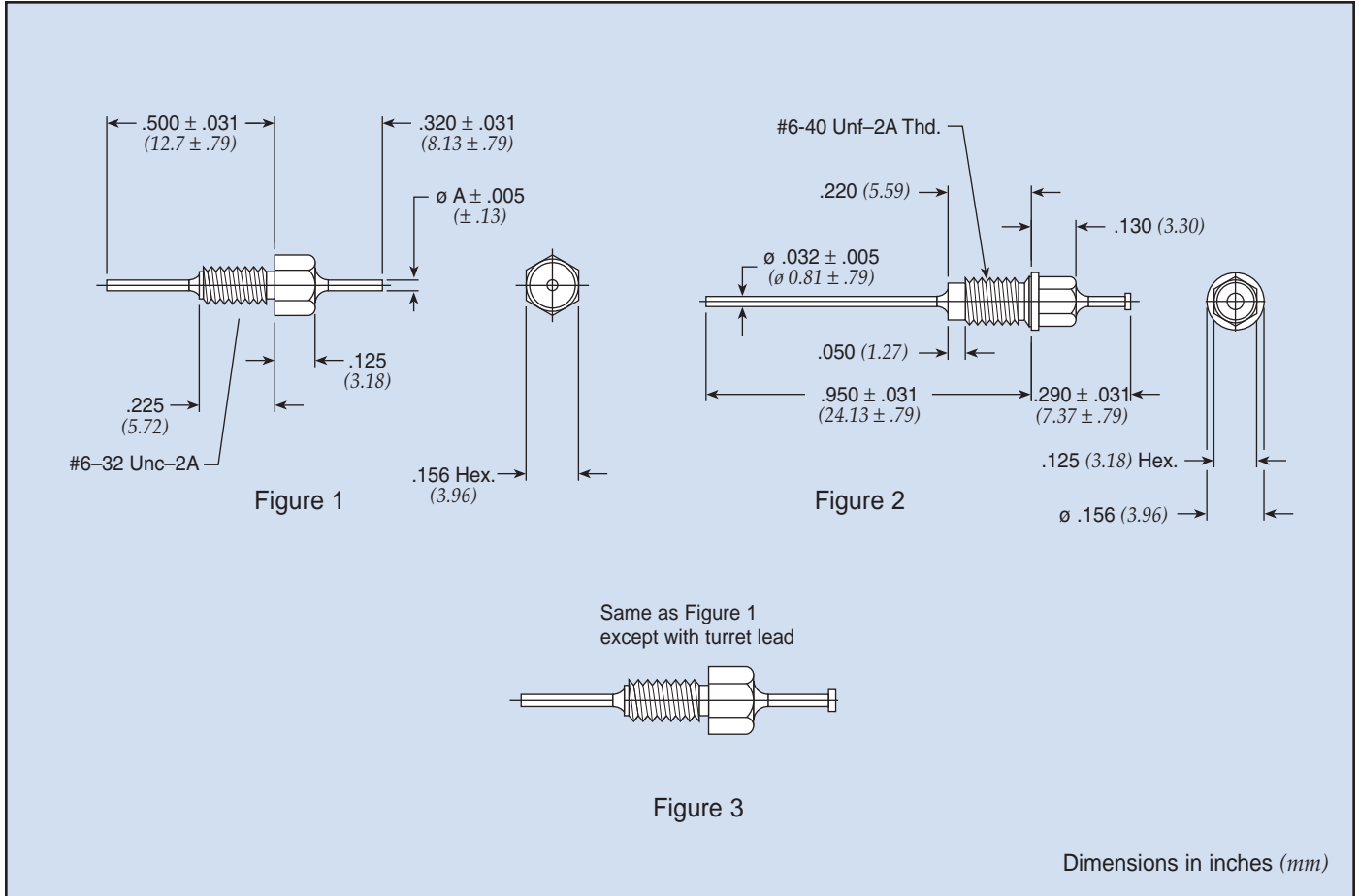
Part Number	Figure	Rated Voltage 125°C		I Amp	CKT	Min Cap	A		Minimum Insertion Loss (dB)							
		DC	AC				In	(mm)	1 MHz	3 MHz	10 MHz	30 MHz	100 MHz	300 MHz	1 GHz	10 GHz
+51-729-305	1	50	—	3	Pi	5500 pF	0.018	(0.46)	—	7	14	40	60	70	70	70
+51-729-312	1	50	—	3	Pi	7000 pF	0.018	(0.46)	—	8	15	40	65	70	70	70
SCI-3102-002	1	50	—	3	LB	0.075 μF	0.016	(0.41)*	18	25	37	42	52	55	70	70
SCI-3102-000	1	50	—	5	LB	0.075 μF	0.016	(0.41)	18	25	37	42	52	55	70	70
SCI-3102-007	1	50	—	10	LB	0.075 μF	0.025	(0.64)	18	25	37	42	52	55	70	70
+51-729-304	1	100	—	3	LB	0.022 μF	0.018	(0.46)	7	17	27	34	43	47	55	55
+SCI-3112-002	1	100	—	5	LB	0.027 μF	0.016	(0.41)*	10	20	30	38	45	45	65	70
+SCI-3112-000	1	100	—	5	LB	0.027 μF	0.016	(0.41)	10	20	30	38	45	45	65	70
SCI-3112-007	1	100	—	10	LB	0.027 μF	0.025	(0.64)	10	20	30	38	45	45	65	70
SCI-3112-102	1	100	—	3	LB	0.05 μF	0.016	(0.41)*	15	24	35	42	54	56	70	70
SCI-3112-100	1	100	—	5	LB	0.05 μF	0.016	(0.41)	15	24	35	42	54	56	70	70
SCI-3112-107	1	100	—	10	LB	0.05 μF	0.025	(0.64)	15	24	35	42	54	56	70	70
+51-729-303	1	200	—	3	Pi	1500 pF	0.018	(0.46)	—	—	5	15	42	65	70	70
SCI-3122-002	1	200	115	3	LB	0.01 μF	0.016	(0.41)*	—	12	21	30	41	45	70	70
SCI-3122-000	1	200	115	5	LB	0.01 μF	0.016	(0.41)	—	12	21	30	41	45	70	70
SCI-3122-007	1	200	115	10	LB	0.01 μF	0.025	(0.64)	—	12	21	30	41	45	70	70

* Tinned, steel leads.

+ Also available through API's authorized distributors.

Resin Sealed Bolt-in Filters

6-32 C, L, Pi/6-40 Pi

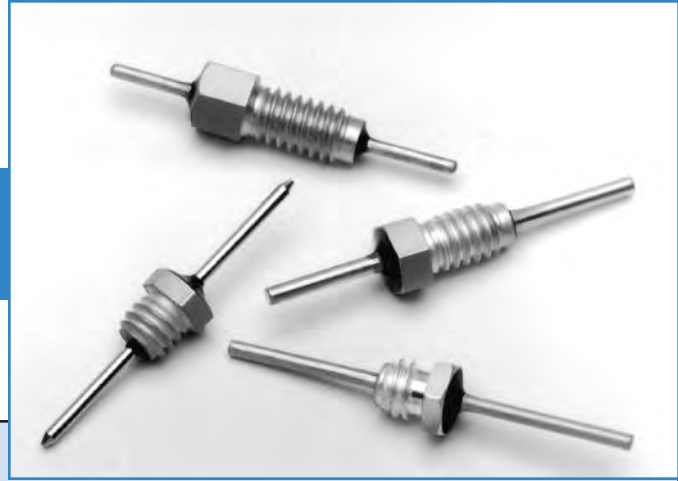


Part Number	Figure	Rated Voltage 125°C		I Amp	CKT	Min Cap	A		Minimum Insertion Loss (dB)							
		DC	AC				In	(mm)	1 MHz	3 MHz	10 MHz	30 MHz	100 MHz	300 MHz	1 GHz	10 GHz
† 51-726-008	1	50	—	3	Pi	5500 pF	0.018	(0.46)	—	7	14	30	55	70	70	70
51-726-017	1	50	—	3	Pi	9000 pF	0.018	(0.46)	—	8	18	45	65	70	70	70
54-779-019	1	50	—	10	C	0.10 µF	0.032	(0.81)	22	31	40	44	47	55	65	65
† 54779001X5F100M	1	100	—	10	C	10 pF ± 20%	0.032	(0.81)	—	—	—	—	—	—	10	10
† 54779001X5U102P €	1	100	—	10	C	1000 pF	0.032	(0.81)	—	—	—	10	21	28	28	28
54-779-014	1	100	—	10	C	2700 pF	0.032	(0.81)	—	—	9	18	27	33	35	35
54-779-016	1	100	—	10	C	0.01 µF	0.032	(0.81)	—	9	20	29	38	45	50	50
† 51-726-002	3	100	—	10	LB	0.022 µF	0.032	(0.81)	7	17	27	34	43	50	60	60
54-779-017	1	100	—	10	C	0.027 µF	0.032	(0.81)	10	20	30	37	45	50	55	60
54-779-018	1	100	—	10	C	0.050 µF	0.032	(0.81)	15	24	34	41	45	50	60	60
† 51-726-001	1	200	—	3	Pi	1500 pF	0.018	(0.46)	—	—	5	15	42	65	70	70
† 1289-001	2	200	—	10	Pi	1500 pF	0.032	(0.81)	—	—	5	15	40	60	60	60
† 1289-004	2	200	—	10	Pi	3000 pF	0.032	(0.81)	—	—	8	15	50	65	70	70
54-779-015	1	200	—	10	C	5600 pF	0.032	(0.81)	—	—	15	24	33	37	40	40

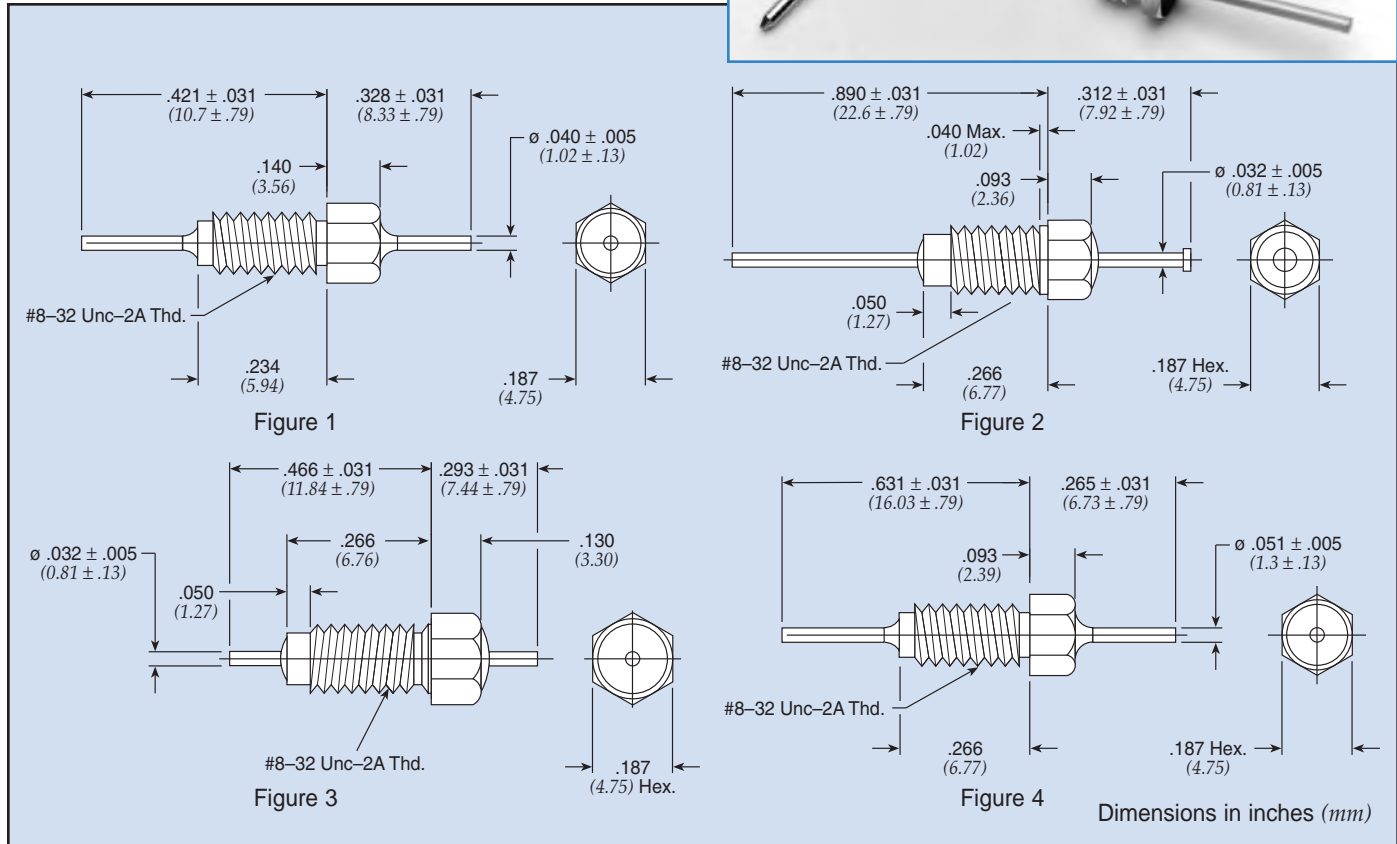
† Also available through API's authorized distributors.

€ Also available through API's authorized European distributors/agents.

Resin Sealed Bolt-in Filters



8-32 C Circuit

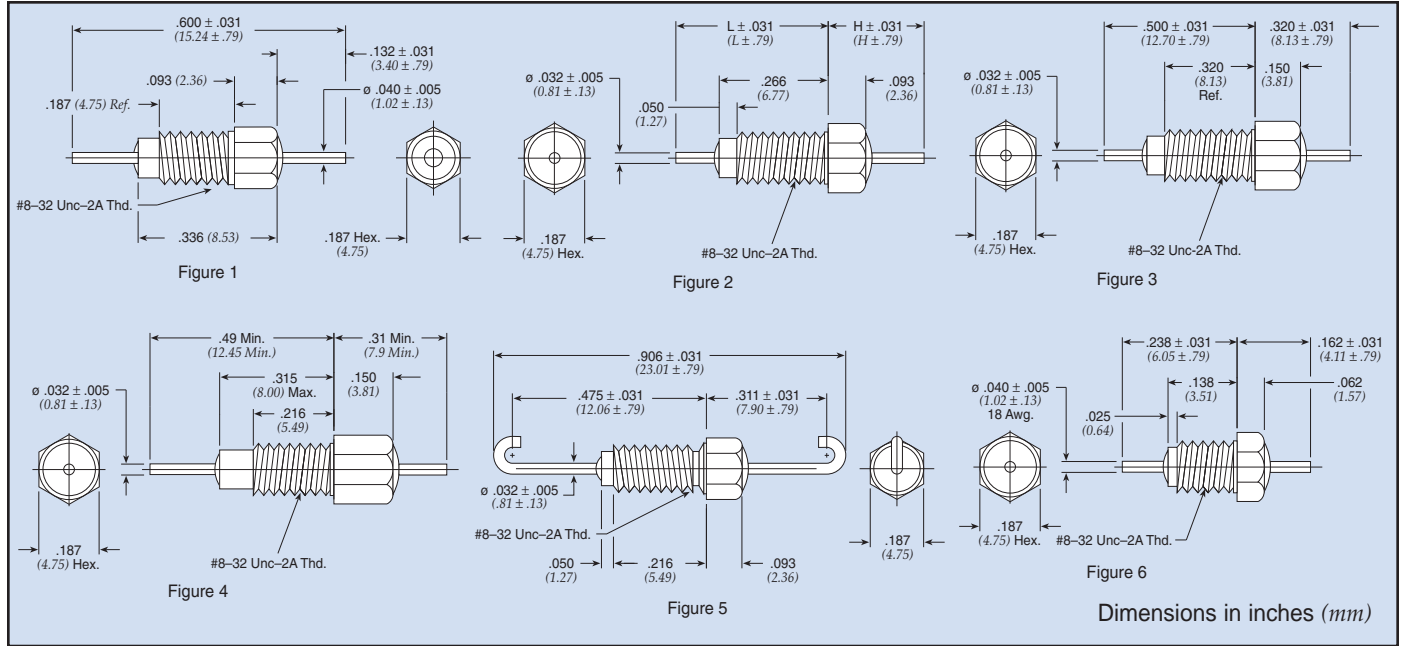


Part Number	Figure	Rated Voltage 125°C		I Amp	Min Cap	Minimum Insertion Loss (dB)							
		DC	AC			1 MHz	3 MHz	10 MHz	30 MHz	100 MHz	300 MHz	1 GHz	10 GHz
SCI-9200-503	2	50	—	10	0.05 μ F	15	24	35	41	45	50	60	60
9950-381-6009	3	50	—	10	0.12 μ F	20	30	43	45	55	55	55	55
54-785-017	1	50	—	10	0.21 μ F	28	37	45	50	55	60	70	70
9950-381-6008	3	70	—	10	0.08 μ F	15	24	37	41	51	51	55	55
† 54713001X5F101M	4	100	—	10	80 pF	—	—	—	—	—	10	20	20
† 54713001X5U102P	4	100	—	10	1000 pF	—	—	—	11	20	28	28	28
54-785-013	1	100	—	10	0.01 μ F	—	9	20	29	38	45	50	55
SCI-9210-103	2	100	—	10	0.01 μ F	—	12	20	29	38	45	50	50
SCI-9210-273	2	100	—	10	0.027 μ F	10	20	30	36	45	50	55	60
† 54-785-005	1	100	—	10	0.05 μ F	15	24	34	41	45	50	60	60
54-785-016	1	100	—	10	0.1 μ F	20	29	38	44	47	55	65	65
54-785-011	1	150	—	10	2000 pF	—	—	8	17	26	32	34	35
54-785-012	1	150	—	10	5000 pF	—	6	15	24	33	37	40	40
SCI-9220-101	2	200	115	10	100 pF	—	—	—	—	—	10	20	25
SCI-9220-102	2	200	115	10	1000 pF	—	—	—	11	20	28	28	28
SCI-9220-502	2	200	115	10	5000 pF	—	6	15	24	33	37	40	40

† Also available through API's authorized distributors.

Resin Sealed Bolt-in Filters

8-32 L & Pi Circuit



Part Number	M15733 MIL Number	Fig.	Rated Voltage 125°C		I Amp	CKT	Min Cap	In	H (mm)	L In (mm)	Minimum Insertion Loss (dB)								
			DC	AC							1 MHz	3 MHz	10 MHz	30 MHz	100 MHz	300 MHz	1 GHz	10 GHz	
51-712-069 €	—	2	50	—	10	Pi	0.012 µF	0.265	(6.73)	0.413	(10.49)	5	9	18	45	65	70	70	70
† 51-712-065	/61-0014	4	50	—	20	Pi	0.012 µF	0.310	(7.87)	0.490	(12.45)	—	10	20	30	65	70	70	70
† 1250-054	—	2	70	—	10	Pi	5000 pF	0.312	(7.92)	0.500	(12.70)	—	—	20	30	65	65	70	70
† 1293-001	—	3	70	—	10	Pi	0.028 µF	—	—	—	—	10	14	38	65	75	75	75	75
51-712-055	/43-0002	2	100	70	10	Pi	3000 pF	0.312	(7.92)	0.578	(14.68)	—	—	5	15	45	50	50	50
† 51-712-014	/28-0001	2	100	70	10	Pi	3000 pF	0.312	(7.92)	0.890	(22.61)	—	—	5	15	45	60	60	60
51-712-028	/28-0002	5	100	70	10	Pi	3000 pF	—	—	—	—	—	—	5	15	45	60	60	60
† 51-712-063*	/61-0008	2	100	70	10	Pi	5500 pF	0.312	(7.92)	0.500	(12.70)	—	—	15	35	65	70	70	70
† 51-712-003 ◊	—	2	100	—	10	LB	0.022 µF	0.280	(7.11)	0.850	(21.59)	7	17	27	34	43	50	60	60
51-712-060 ◊	/28-0004	2	100	70	10	LB	0.022 µF	0.312	(7.92)	0.890	(22.61)	10	17	28	34	41	50	60	60
† 51-712-067	/61-0013	2	100	—	10	LB	0.031 µF	0.280	(7.11)	0.890	(22.61)	10	20	30	38	42	52	60	60
51-762-006	/44-0003	6	125	85	15	Pi	65 pF	—	—	—	—	—	—	—	—	—	—	16	42
† 1250-059	—	6	125	—	15	Pi	1500 pF	—	—	—	—	—	—	5	15	35	45	60	60
† 51-762-005	/44-0002	6	125	85	15	Pi	1500 pF	—	—	—	—	—	—	5	15	25	35	50	50
1250-062	—	1	125	—	15	Pi	3000 pF	—	—	—	—	—	—	5	15	45	45	70	70
† 51-744-003*	/44-0001	1	125	85	15	Pi	3000 pF	—	—	—	—	—	—	10	15	30	40	65	65
† SCI-3223-000	—	2	200	115	10	Pi	2000 pF	0.312	(7.92)	0.890	(22.61)	—	—	8	10	48	50	70	70
† 1250-003 €	—	2	200	—	10	Pi	3000 pF	0.312	(7.92)	0.890	(22.61)	—	—	5	15	45	65	70	70
† 51-712-001*	—	2	200	—	10	Pi	3000 pF	0.312	(7.92)	0.890	(22.61)	—	—	5	15	45	65	70	70
1250-049	—	2	200	—	10	Pi	3000 pF	0.312	(7.92)	0.578	(14.68)	—	—	5	15	45	65	65	60
† 51-744-002 ◊	—	2	200	—	10	Pi	5500 pF	0.265	(6.73)	0.413	(10.49)	—	7	14	30	55	70	70	70
† 1293-000	—	3	200	—	10	Pi	0.012 µF	—	—	—	—	5	10	28	40	65	70	70	70

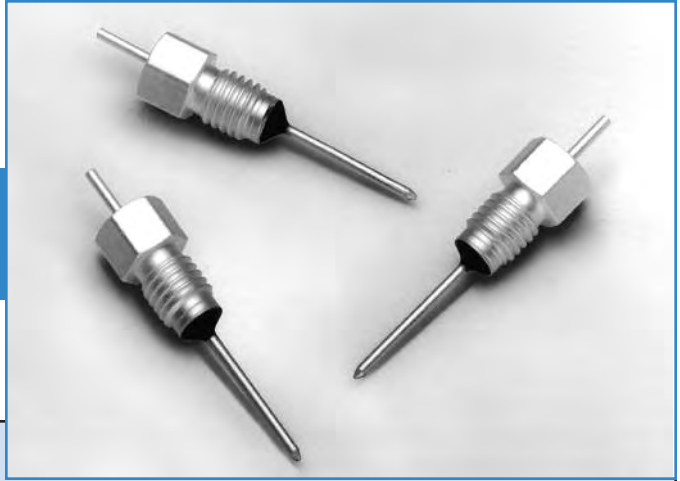
† Also available through API's authorized distributors.

◊ Supplied with .040" (1.02mm) diameter lead.

€ Also available through API's authorized European distributors/agents.

* Denotes parts with turret lead.

Resin Sealed Bolt-in Filters



10-32 C & Pi Circuit

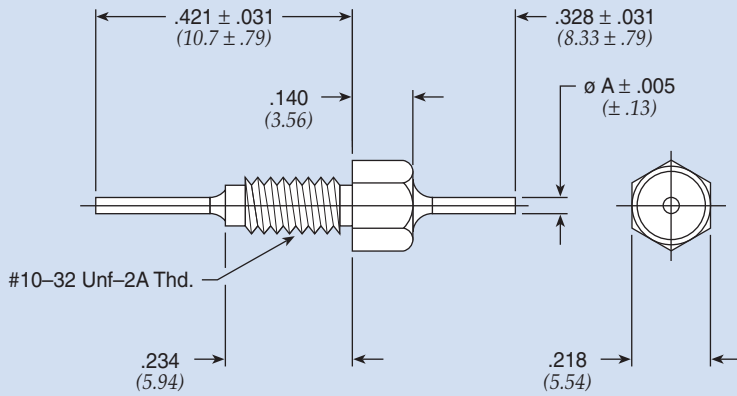


Figure 1

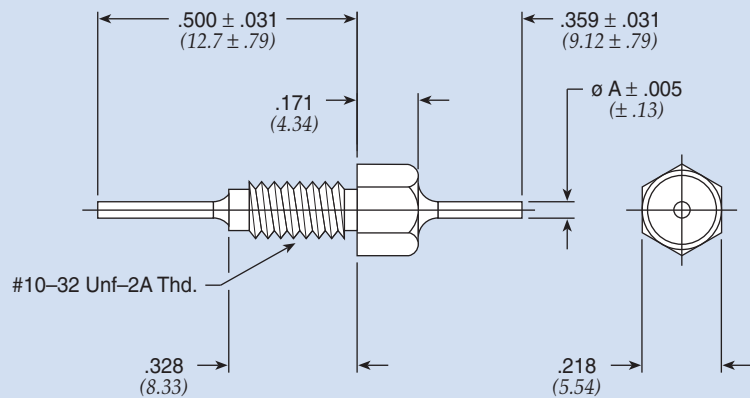


Figure 2

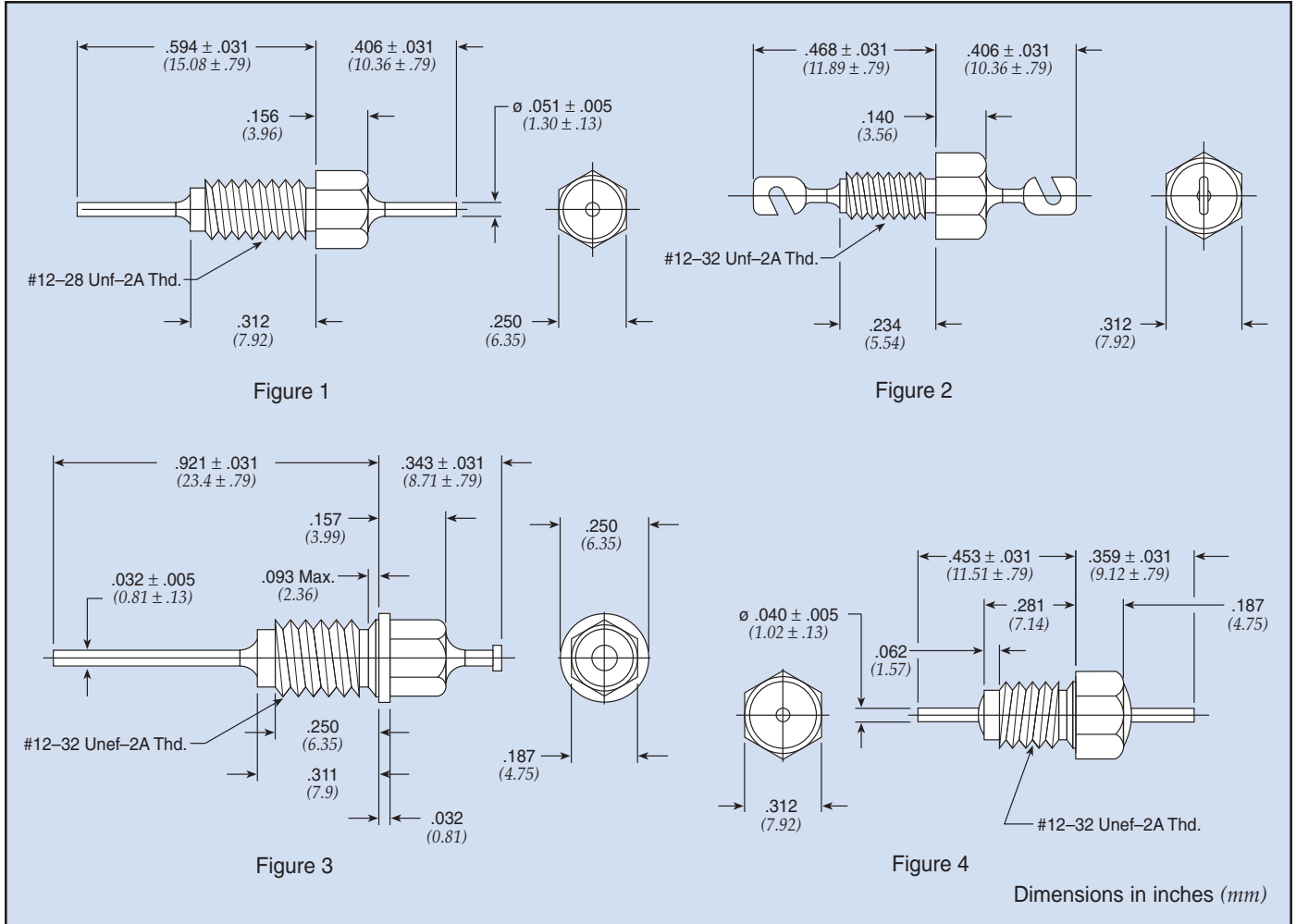
Dimensions in inches (mm)

Part Number	Figure	Rated Voltage 125°C		I Amp	CKT	Min Cap	A		Minimum Insertion Loss (dB)							
		DC	AC				In	(mm)	1 MHz	3 MHz	10 MHz	30 MHz	100 MHz	300 MHz	1 GHz	10 GHz
51-761-002	1	50	—	10	Pi	0.018 µF	0.032	(0.81)	7	14	30	55	70	70	70	70
† 54-786-013	1	50	—	10	C	0.3 µF	0.040	(1.02)	30	38	47	50	55	60	70	70
54-786-028	1	50	—	10	C	0.56 µF	0.040	(1.02)	35	43	50	52	60	65	70	70
† 54-786-014	2	50	—	10	C	0.8 µF	0.040	(1.02)	40	46	52	54	70	70	70	70
51-761-001	1	100	—	10	Pi	0.01 µF	0.032	(0.81)	—	10	20	45	65	70	70	70
54-786-027	1	200	—	10	C	0.1 µF	0.040	(1.02)	20	29	38	44	47	55	65	65

† Also available through API's authorized distributors.

Resin Sealed Bolt-in Filters

12-28 C /12-32 C Circuit



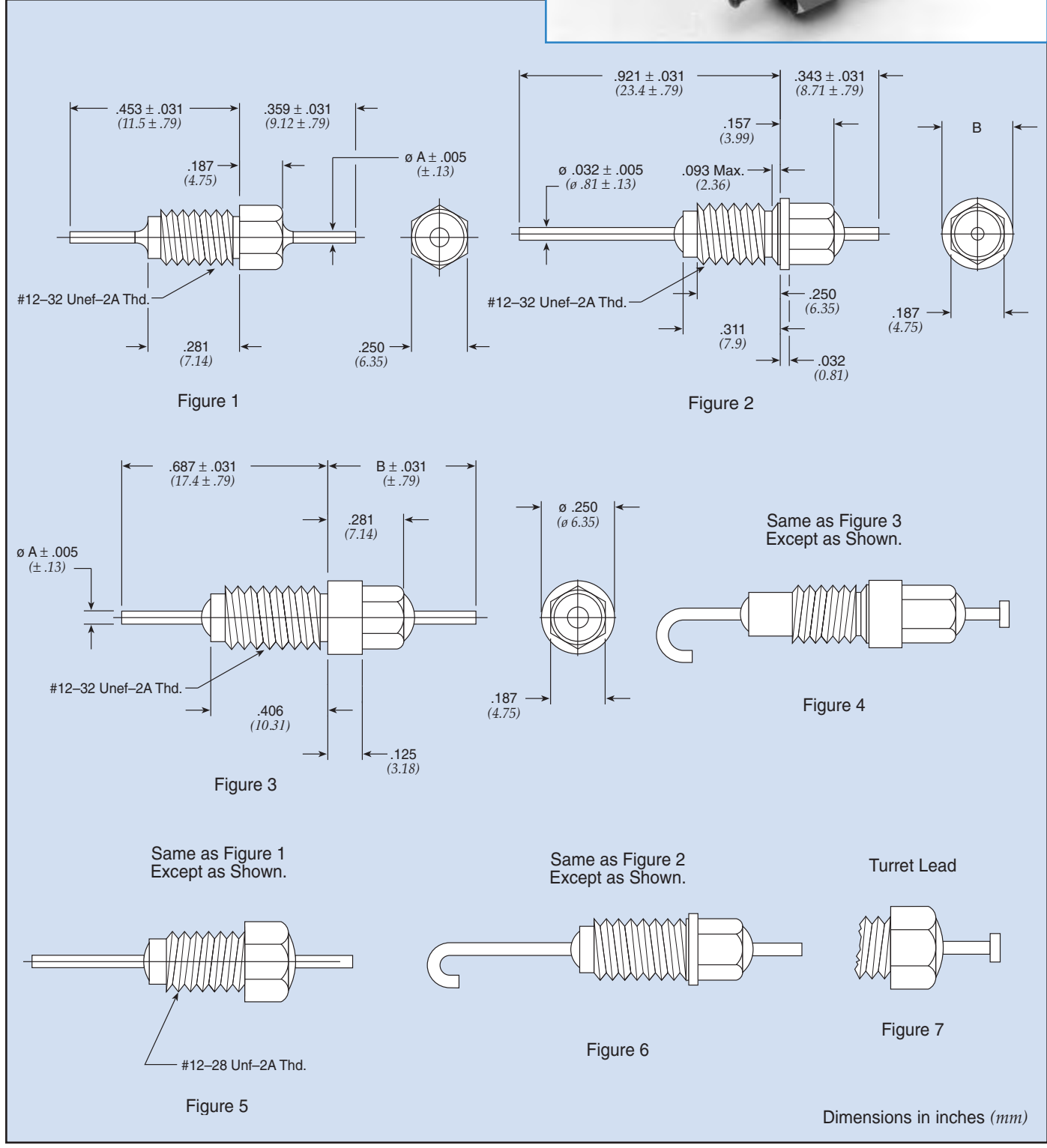
Part Number	Figure	Rated Voltage 125°C		I Amp	CKT	Min Cap	Minimum Insertion Loss (dB)							
		DC	AC				1 MHz	3 MHz	10 MHz	30 MHz	100 MHz	300 MHz	1 GHz	10 GHz
9910-381-6004	4	35	—	15	C	1 μ F	38	40	52	52	70	70	78	80
9910-381-6003	4	50	—	15	C	0.75 μ F	35	37	51	51	61	61	65	70
SCI-9310-273	3	100	—	10	C	0.027 μ F	10	20	30	37	45	50	55	60
9910-381-6002	4	100	—	15	C	0.30 μ F	28	30	45	50	55	55	60	65
54804002X5R101M	2	250	—	10	C	100 pF \pm 20%	—	—	—	—	—	10	20	25
† 54804002X5R471M	2	250	—	10	C	470 pF \pm 20%	—	—	—	—	12	22	25	28
† 54804002X5V102P	2	250	—	10	C	1000 pF	—	—	—	10	21	28	28	28
54743001X5U102Z	1	250	—	15	C	1000 pF	—	—	—	—	20	28	28	28

† Also available through API's authorized distributors.

Resin Sealed Bolt-in Filters



12-28 & 12-32 Pi Circuit



Resin Sealed Bolt-in Filters

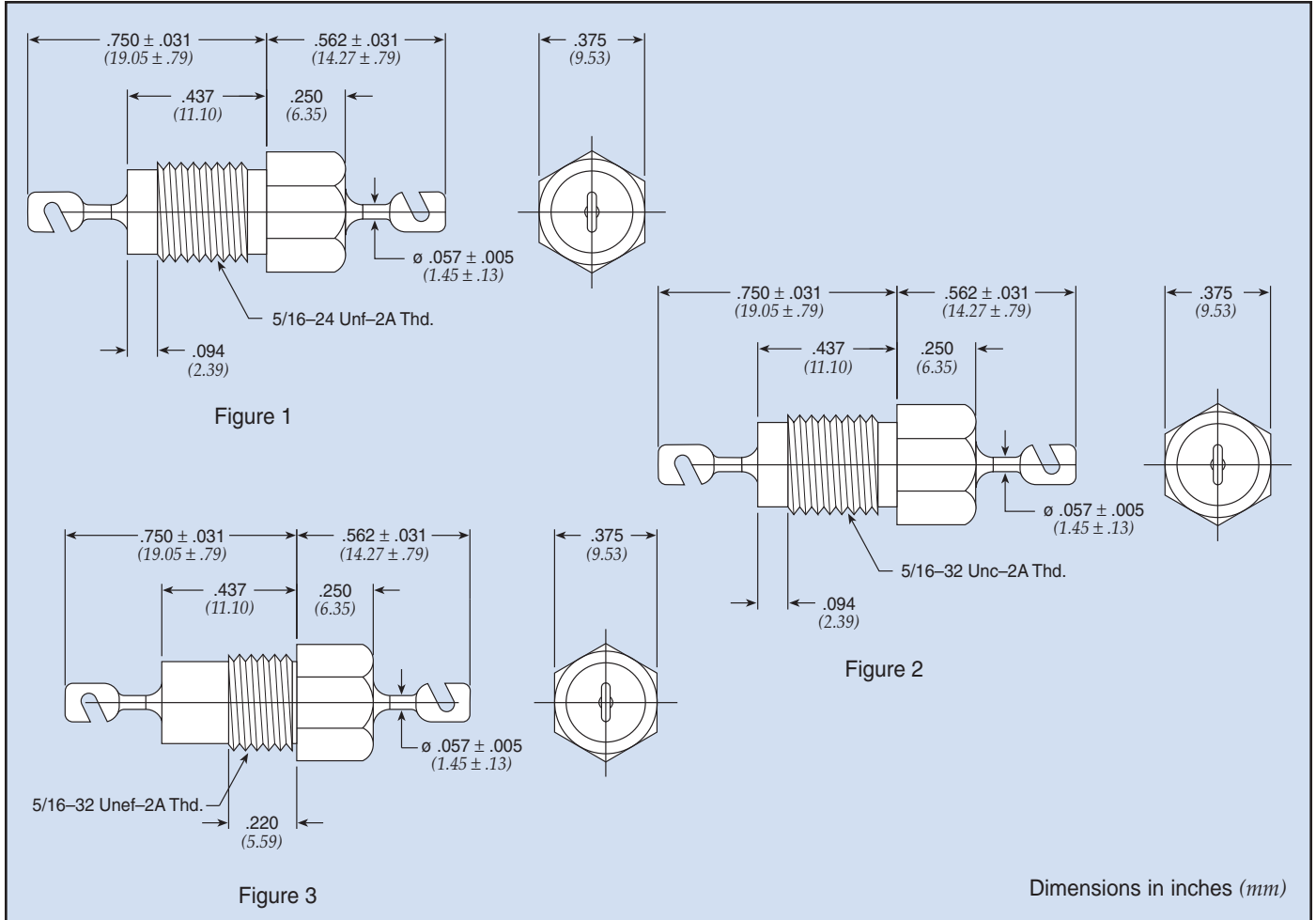
12-28 & 12-32 Pi Circuit

Part Number	M15733 MIL Number	See Pg. LP20 for Fig.	Rated Voltage 125°C		I Amp	Min Cap	A		B		Minimum Insertion Loss (dB)							
			DC	AC			In	(mm)	In	(mm)	1 MHz	3 MHz	10 MHz	30 MHz	100 MHz	300 MHz	1 GHz	10 GHz
51-709-013	—	3	50	—	10	0.1 µF	0.040	(1.02)	0.437	(11.10)	10	40	52	70	70	70	70	70
SCI-3303-000*	—	2	50	—	10	0.15 µF	0.032	(0.81)	0.250	(6.35)	12	43	68	70	70	70	70	70
51-709-015	/61-0009	3	70	—	10	0.012 µF	0.032	(0.81)	0.470	(11.94)	—	—	—	—	65	65	65	65
† 1216-001	—	3	70	—	10	0.050 µF	0.032	(0.81)	0.468	(11.89)	15	20	60	65	75	75	75	75
† 1270-016*	—	2	100	—	10	5500 pF	0.032	(0.81)	0.250	(6.35)	—	7	20	35	65	70	70	70
† 1270-025	—	2	100	—	10	5500 pF	0.032	(0.81)	0.235	(5.97)	—	7	20	35	65	70	70	70
† 1201-066	—	1	100	—	10	5500 pF	0.032	(0.81)	—	—	—	7	20	40	68	70	70	70
51-714-055*	/61-0011	2	100	—	10	5500 pF	0.032	(0.81)	0.235	(5.97)	—	7	20	—	65	70	70	70
51-714-054*	/61-0010	2	100	—	10	5500 pF	0.032	(0.81)	0.250	(6.35)	—	7	20	—	65	70	70	70
51-714-053*	/61-0007	2	100	70	10	5500 pF	0.032	(0.81)	0.250	(6.35)	—	7	—	—	65	70	70	70
51-714-058*	—	2	100	—	10	0.025 µF	0.032	(0.81)	0.250	(6.35)	10	15	40	60	70	70	70	70
51-714-056	/61-0012	6	100	—	10	0.025 µF	0.032	(0.81)	0.235	(5.97)	—	—	—	—	65	65	65	65
† SCI-3313-000*	—	2	100	—	10	0.10 µF	0.032	(0.81)	0.250	(6.35)	10	40	65	70	70	70	70	70
51-719-022	—	1	200	—	10	1300 pF	0.040	(1.02)	—	—	—	—	5	10	35	60	70	70
† 1201-052	—	5	200	—	10	3000 pF	0.032	(0.81)	—	—	—	—	5	15	45	45	70	70
† 1201-054	—	1	200	—	10	3000 pF	0.032	(0.81)	—	—	—	—	5	15	45	45	70	70
51-714-001*	—	2	200	—	10	3000 pF	0.032	(0.81)	0.250	(6.35)	—	—	5	15	43	60	70	70
† 1270-024	—	2	200	—	10	3000 pF	0.032	(0.81)	0.235	(5.97)	—	—	5	15	45	45	70	70
51-714-003*	—	2	200	—	10	3000 pF	0.032	(0.81)	0.235	(5.97)	—	—	5	15	43	60	70	70
† 1270-009	—	2	200	—	10	3000 pF	0.032	(0.81)	0.250	(6.35)	—	—	5	15	45	45	70	70
51-719-053**	/61-0001	5	200	140	10	3000 pF	0.032	(0.81)	—	—	—	—	—	—	45	—	70	70
51-719-054*	/61-0002	1	200	140	10	1500 pF	0.032	(0.81)	—	—	—	—	—	—	45	45	70	70
51-714-051*	/61-0005	2	200	140	10	1500 pF	0.032	(0.81)	0.250	(6.35)	—	—	—	—	45	45	70	70
51-719-023*	/43-0001	5	200	140	10	3000 pF	0.032	(0.81)	—	—	—	—	—	—	45	45	45	45
51-714-052*	/61-0006	2	200	140	10	3000 pF	0.032	(0.81)	0.235	(5.97)	—	—	—	—	45	45	70	70
51-714-004*	—	2	200	—	10	5500 pF	0.032	(0.81)	0.235	(5.97)	—	7	14	35	60	70	70	70
† 51-719-021	—	1	200	—	10	5500 pF	0.040	(1.02)	—	—	—	7	14	30	50	65	65	65
€ 51-714-002*	—	2	200	—	10	5500 pF	0.032	(0.81)	0.250	(6.35)	—	7	14	35	60	70	70	70
† SCI-3323-000*	—	2	200	115	10	0.012 µF	0.032	(0.81)	0.250	(6.35)	—	—	27	30	70	70	70	70
† 1221-001	—	4	300	—	10	5500 pF	0.032	(0.81)	0.437	(11.10)	—	—	15	30	65	70	70	70
† 51-709-004	/46-0001	4	300	—	10	5500 pF	0.032	(0.81)	0.437	(11.10)	—	—	—	—	65	70	70	70
1201-086	—	1	350	—	10	2500 pF	0.040	(1.02)	—	—	—	—	5	10	50	50	65	65
† 51-719-011 €	—	1	500	—	10	3000 pF	0.040	(1.02)	—	—	—	—	12	20	45	60	60	60

† Also available through API's authorized distributors.
 € Also available through API's authorized European distributors/agents.
 * Denotes parts supplied with lead as shown in Figure 7.
 ** Bushing housing will have 1 1/2 imperfect threads at hex to thread interface.

Resin Sealed Bolt-in Filters

5/16-24 & 5/16-32 C & Pi Circuit



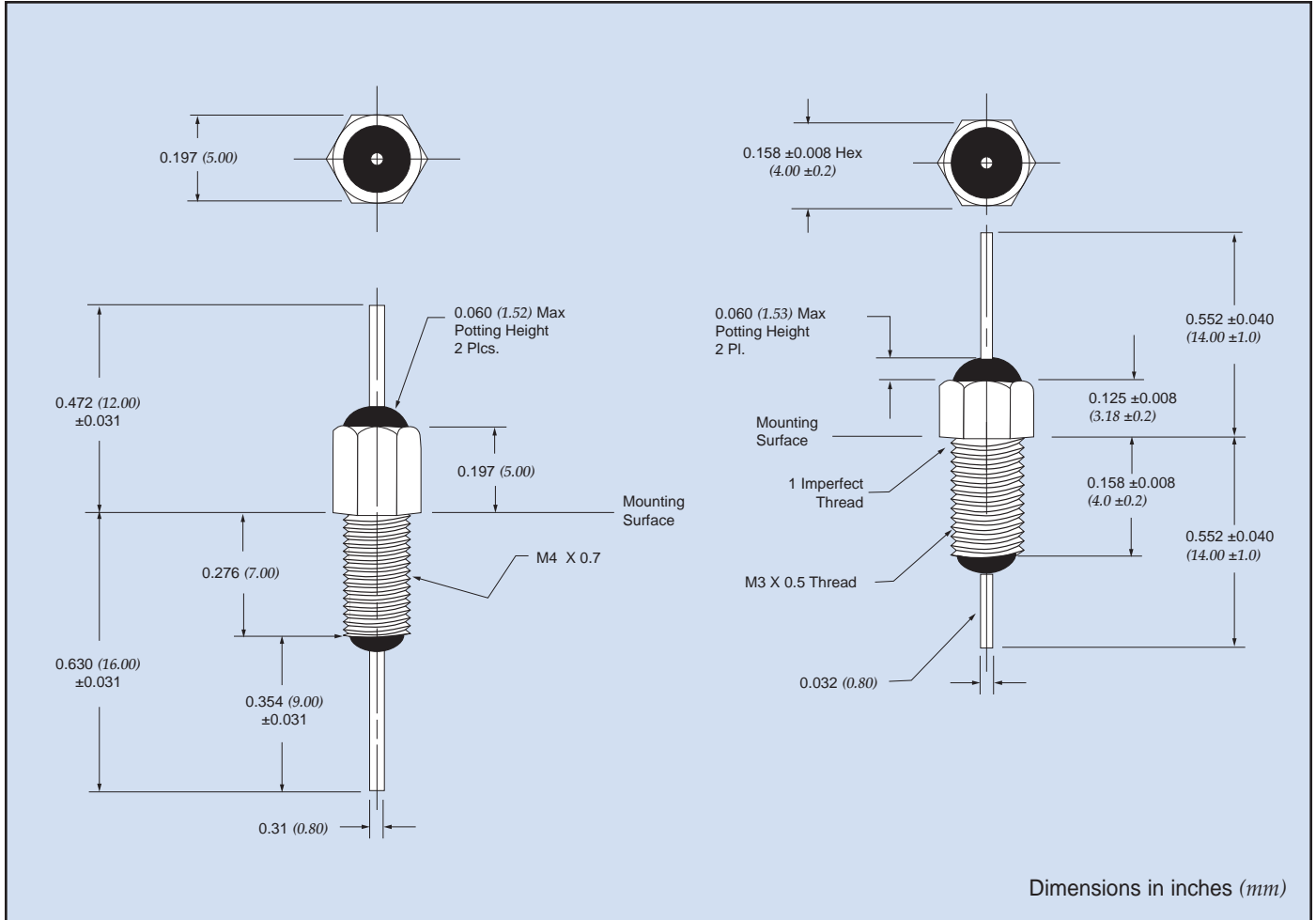
Part Number	M15733 MIL Number	Fig.	Rated Voltage 125°C		I Amp	CKT	Min Cap	Minimum Insertion Loss (dB)							
			DC	AC				1 MHz	3 MHz	10 MHz	30 MHz	100 MHz	300 MHz	1 GHz	10 GHz
SCI-9510-503	—	1	100	—	25	C	0.05 µF	15	24	35	41	45	60	60	60
SCI-3513-000	—	1	100	—	25	Pi	0.1 µF	10	18	28	37	70	70	70	70
SCI-3523-000	—	1	200	115	25	Pi	0.02 µF	—	—	25	50	66	66	70	70
SCI-3543-000	—	1	400	220	25	Pi	6000 pF	—	—	15	35	54	65	70	70
SCI-9550-102	—	1	500	115	25	C	1000 pF	—	—	—	11	20	28	28	28
† 1202-052	—	1	500	—	25	Pi	3000 pF	—	—	10	35	55	55	70	70
† 1202-054	—	2	500	—	25	Pi	3000 pF	—	—	10	35	55	55	70	70
51-702-020*	/61-0003	3	500	350	25	Pi	3000 pF	—	—	—	35	55	55	70	70
51-702-021	/61-0004	3	500	350	25	Pi	3000 pF	—	—	10	35	55	55	70	70
SCI-9550-332	—	1	500	115	25	C	3300 pF	—	—	12	20	30	33	40	40
SCI-3553-000	—	1	500	220	25	Pi	0.012 µF	—	—	18	28	52	52	70	70
† 1202-005	—	2	700	—	25	Pi	2000 pF	—	—	5	20	50	55	70	70

† Also available through API's authorized distributors.

* Denotes parts with 5/16-24 Threads

Metric Resin Sealed Bolt-in Filters

M3 Pi Circuit & M4 C Circuit



Part Number	Figure	Rated Voltage 125°C		I Amp	CKT	Min Cap	Temperature Range
		DC					
51-831-004	1	100		3	Pi	1000 pF	-55°C to +125°C
51-831-011	1	100		10	Pi	100 pF	-55°C to +125°C
51-831-012	1	100		10	Pi	1500 pF	-55°C to +125°C
51-831-013	1	100		10	Pi	3000 pF	-55°C to +125°C
51-831-014	1	70		10	Pi	5500 pF	-55°C to +125°C
51-831-015	1	100		10	Pi	12000 pF	-55°C to +125°C
54-863-004	2	100		10	C	10000 pF	-55°C to +125°C
54-863-005	2	100		10	C	100 pF	-55°C to +125°C
54-863-007	2	100		10	C	1000 pF	-55°C to +125°C
54-863-008	2	100		10	C	2000 pF	-55°C to +125°C
54-863-010	2	100		10	C	4700 pF	-55°C to +125°C

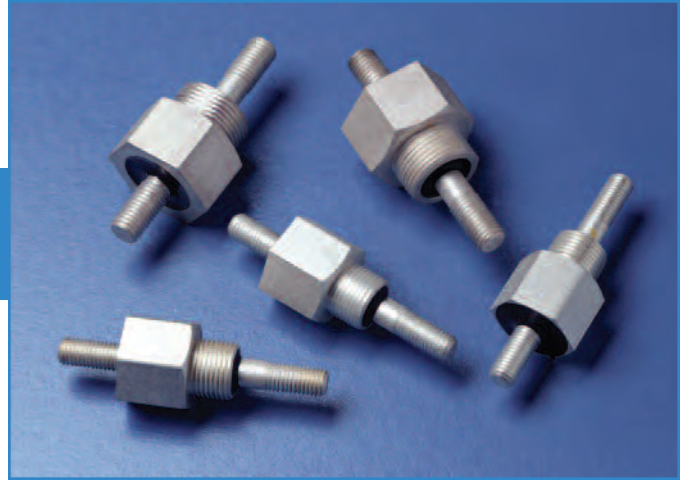
RoHS available.

High Current/High Voltage Resin Sealed Filters

High current filters are ideal for use in high current 5 volt logic buss, but also can be used for ± 48 VDC telephone rack buss, high current switch mode power supplies and DC charging systems. High voltage filters find use in high voltage power supplies and applications requiring U.L. Hi-Pot.

Features

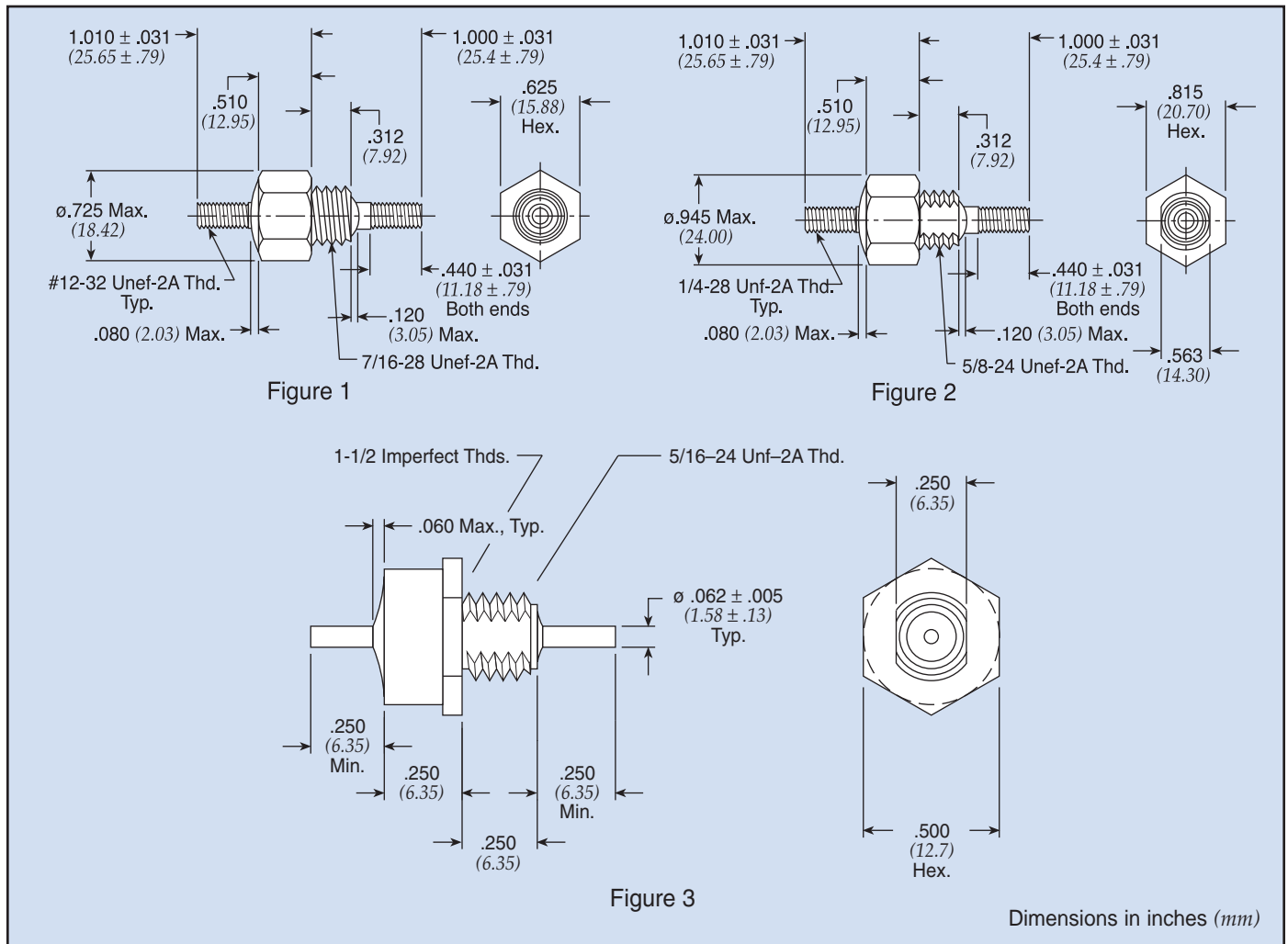
- Current ratings up to 100 Amps
- Continuous voltage ratings up to 1250 VDC/240 VAC (400Hz)
- U.L. 1459 recognized and CSA C22.2 approved versions available
- Rugged bolt-in style for easy installation



Installation Notes

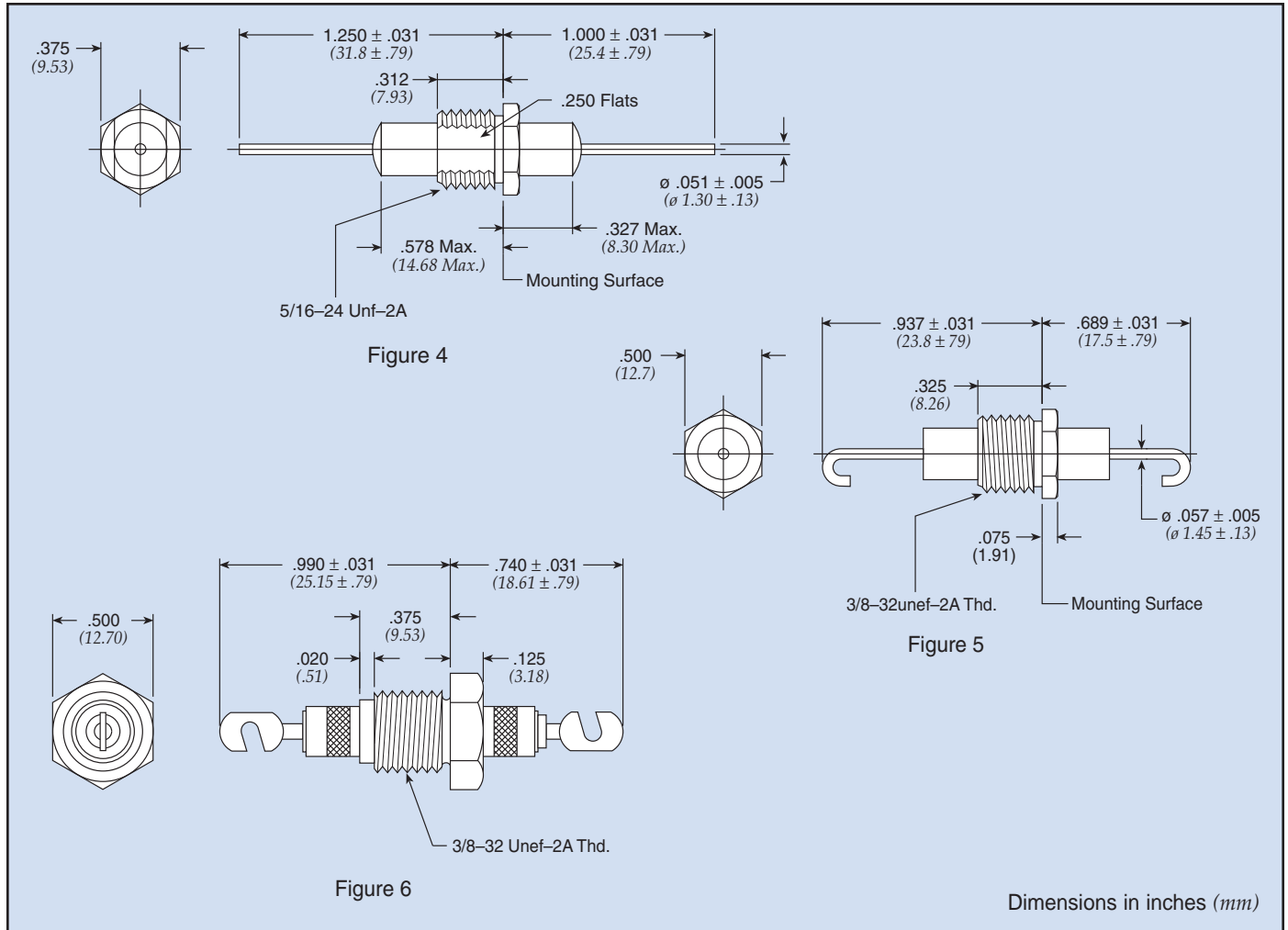
for Figure 1 & 2 — see below (Figure 3 see page CF6)

1. Mounting installation torque
 - Method A:** Mounting in full threaded through-hole
Maximum torque: 96 in-lbs
 - Method B:** Mounting w/hardware
Maximum torque: 84 in-lbs
 2. Terminal installation torque
Maximum torque: 20 in-lbs
- Note: Use two-wrench method to install terminal hardware



High Current/High Voltage Resin Sealed Filters

High Current High Voltage Feed-through



Part Number	Figure	Rated Voltage 125°C		I Amp	CKT	Min Cap	Minimum Insertion Loss (dB)							
		DC	AC***				1 MHz	3 MHz	10 MHz	30 MHz	100 MHz	300 MHz	1 GHz	10 GHz
54-848-005*	1	60	—	50	C	0.22 μ F	20	30	40	50	50	50	50	50
54-853-001*	2	60	—	50	C	0.22 μ F	20	30	40	50	50	50	50	50
54-853-004 €	2	200	140	100	C	0.22 μ F	20	30	40	50	50	50	50	50
54-848-008	1	200	140	100	C	0.22 μ F	20	30	40	50	50	50	50	50
54-844-001**	3	600	240	25	C	4700 pF \pm 20%	—	—	12	20	30	33	50	50
54-844-002**	3	600	240	25	C	0.01 μ F \pm 20%	3	7	20	25	35	40	57	57
54-763-008	4	750	—	25	C	1000 pF	—	—	—	10	20	28	28	28
54-763-009	4	750	—	25	C	4000 pF	—	—	10	22	32	35	35	40
54-789-003	5	1250	—	25	C	4000 pF	—	—	6	20	30	35	35	35
† 1280-060 €	6	2500	—	25	Pi	1500 pF	—	—	5	15	50	50	50	50

† Also available through API's authorized distributors.

€ Also available through API's authorized European distributors/agents.

* Denotes parts that are UL recognized to UL 60950 and certified to CSA C22.2

** Denotes parts that meet 1500 VAC Dielectric Withstanding Voltage per UL 1283 and CSA C22.2

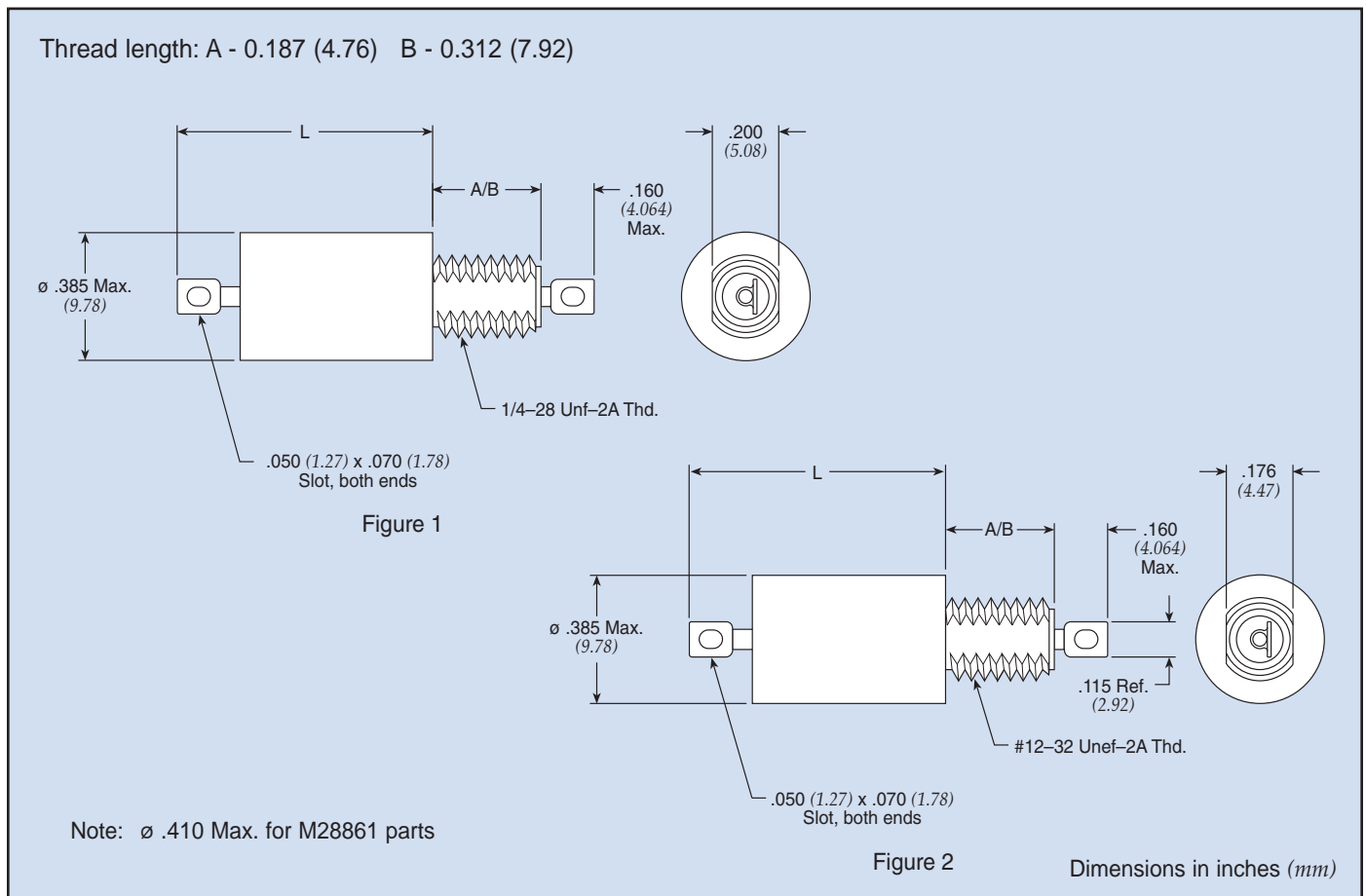
*** AC Voltage to be 400Hz

Hermetically Sealed Threaded Case Filters

This series of filters features hermetic glass seals and high EMI filtering performance. They are excellent for critical applications that demand high reliability in the toughest environmental conditions and provide broad-band high performance EMI filtering from 10 KHz to over 10 GHz.

Features

- MIL-F-15733 and MIL-F-28861, DSCC 84084 QPL filters available
- Popular .375", .410" and .690" case diameters
- Voltage ratings from 50 V to 400 VDC/240 AC, 400 Hz
- Impervious to high moisture environments, solvents and severe environmental conditions
- High temperature terminal construction
- D-slotted bushings
- High reliability testing available



Hermetically Sealed Threaded Case Filters

.375 ø C Circuit Standard

Part Number	MIL No	See Pg. LP26 for Fig.	Rated Voltage				I Amp	Min Cap µF	DCR Max Ohms	Max L		Thd Lgth	Minimum Insertion Loss (dB)						
			85°C		125°C					In	(mm)		30 KHz	150 KHz	300 KHz	1 MHz	10 MHz	100 MHz	1 GHz
			DC	AC	DC	AC													
† 54-367-008	—	1	80	—	50	—	15	1.400	0.005	0.387	(9.830)	A	15	28	33	44	60	70	70
54-370-007	—	1	80	—	50	—	15	2.800	0.005	0.576	(14.630)	A	20	34	39	50	60	70	70
54-371-001	—	1	80	—	50	—	15	4.000	0.005	0.688	(17.475)	A	26	40	46	55	60	70	70
54-367-005	—	1	150	—	100	—	15	0.450	0.005	0.387	(9.830)	A	6	19	25	36	55	70	70
† 9920-100-6002	—	1	200	—	150	125	15	0.150	0.005	0.387	(9.830)	A	—	6	15	26	42	55	70
54-367-007	—	1	250	—	200	125	15	0.015	0.005	0.387	(9.830)	A	—	—	—	6	25	45	50
† 54-367-006	—	1	250	—	200	125	15	0.250	0.005	0.387	(9.830)	A	—	14	19	30	50	65	70
54-370-006	—	1	250	—	200	125	15	0.500	0.005	0.630	(16.002)	A	7	20	28	39	55	70	70
9923-100-6004	—	1	400	—	400	240	15	0.060	0.005	0.415	(10.541)	A	—	5	10	18	38	55	70

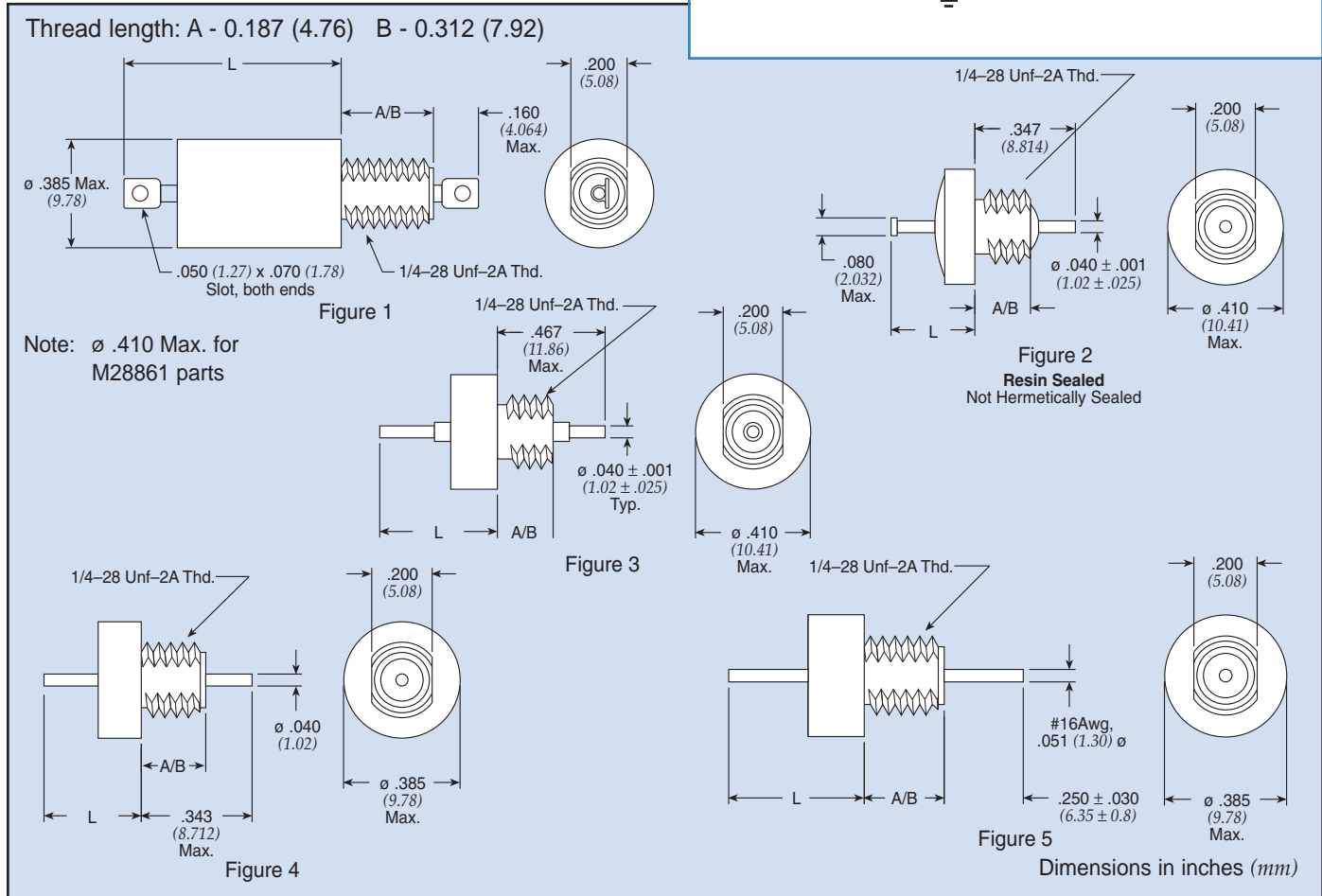
.375 ø C Circuit MIL Qualified (See MIL index on pages CF9-11 for complete MIL part number listing)

Part Number	M15733 M28861 MIL No	See Pg. LP26 for Fig.	Rated Voltage				I Amp	Min Cap µF	DCR Max Ohms	Max L		Thd Lgth	Minimum Insertion Loss (dB)						
			85°C		125°C					In	(mm)		30 KHz	150 KHz	300 KHz	1 MHz	10 MHz	100 MHz	1 GHz
			DC	AC	DC	AC													
54-367-054	1-012◇	1	—	—	50	—	15	1.200	0.008	0.410	(10.414)	B	15	28	33	40	40	70	70
54-367-049	1-002◇	1	—	—	50	—	15	1.200	0.008	0.410	(10.414)	A	15	28	33	40	40	70	70
54-370-032	49-0008	1	—	—	50	—	15	2.100	0.010	0.576	(14.630)	A	20	33	40	50	65	70	70
54-367-055	1-014◇	1	—	—	70	—	15	0.700	0.008	0.410	(10.414)	B	10	24	30	40	40	64	70
54-370-030	34-0035	2	—	—	100	—	10	0.300	0.004	0.474	(12.040)	A	7	19	25	35	55	70	70
54-367-051	1-006◇	1	—	—	100	—	15	0.450	0.008	0.410	(10.414)	A	6	19	25	36	40	60	70
54-367-056	1-016◇	1	—	—	100	—	15	0.450	0.008	0.410	(10.414)	B	6	19	25	36	40	60	70
54-367-057	1-018◇	1	—	—	150	—	15	0.250	0.008	0.410	(10.414)	B	—	14	20	31	40	56	70
54-367-053	1-010◇	1	—	—	200	125	15	0.150	0.008	0.410	(10.414)	A	—	10	16	26	40	52	70
54-367-058	1-020◇	1	—	—	200	125	15	0.150	0.008	0.410	(10.414)	B	—	10	16	26	40	52	70
54-370-034	49-0010	1	—	—	330	—	15	0.062	0.004	0.680	(17.272)	A	—	2	7	17	37	55	70

† Also available through API's authorized distributors.

Hermetically Sealed Threaded Case Filters

.375 ø L Circuit



.375 ø L Standard Low Profile

Part Number	MIL No	Figure	Rated Voltage				I Amp	Min Cap µF	DCR Max Ohms	CKT	Max L In	Max L (mm)	Thd Lgth	Minimum Insertion Loss (dB)						
			DC	AC	DC	AC								30 KHz	150 KHz	300 KHz	1 MHz	10 MHz	100 MHz	1 GHz
† 9051-100-0000	—	1	80	—	50	—	15	1.200	0.005	LB	0.370	(9.398)	A	15	25	34	44	60	70	70
† 51-359-001 €	—	1	80	—	50	—	15	1.400	0.005	LB	0.370	(9.398)	A	15	28	33	44	60	70	70
SCI-1021-000	—	2*	80	—	50	—	15	1.400	0.003	LB	0.280	(7.112)	A	15	28	33	44	60	70	70
† 9053-100-0001	—	1	80	—	50	—	15	1.400	0.005	LB	0.370	(9.398)	A	15	25	34	44	60	70	70
† 51-717-001 €	—	2*	80	—	50	—	15	1.400	0.005	LB	0.325	(8.255)	A	15	28	33	44	60	70	70
51-344-006	—	4	80	—	50	—	15	1.400	0.005	LB	0.330	(8.382)	A	15	28	33	44	60	70	70
† SCI-1020-000	—	1	80	—	50	—	15	1.400	0.003	LB	0.370	(9.398)	A	15	28	33	44	60	70	70
SCI-1021-020	—	2 ^{0*}	80	—	50	—	15	1.400	0.003	LB	0.280	(7.112)	B	15	28	33	44	60	70	70
† SCI-1020-020	—	1	80	—	50	—	15	1.400	0.003	LB	0.370	(9.398)	B	15	28	33	44	60	70	70
SCI-1150-001	—	1	80	—	50	—	15	2.800	0.003	LB	0.450	(11.430)	B	20	34	40	49	60	70	70
9051-101-0018	—	5	80	—	50	—	25	1.400	0.001	LB	0.450	(11.430)	A	15	25	34	44	60	70	70
† 9053-100-0008	—	1	100	—	70	—	15	0.700	0.005	LB	0.370	(9.398)	A	9	20	29	39	52	70	70

* Part is resin sealed, this is not a hermetic part.

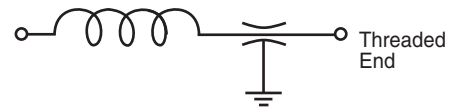
† Also available through API's authorized distributors.

€ Also available through API's authorized European distributors/agents.

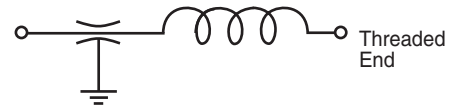
◇ Note: 0.462" (11.73mm) length from mounting surface to end of lead — not 0.347" (8.8mm).

Hermetically Sealed Threaded Case Filters

L-C Filter LT



L-C Filter LB



.375 ø L Standard Low Profile *continued*

Part Number	MIL No	See Pg. LP28 for Fig	Rated Voltage				I Amp	Min Cap µF	DCR Max Ohms	CKT	Max L		Thd Lgth	Minimum Insertion Loss (dB)							
			85°C		125°C						In	(mm)		30 KHz	150 KHz	300 KHz	1 MHz	10 MHz	100 MHz	1 GHz	
			DC	AC	DC	AC															
† 9050-100-0008	—	2*	100	—	70	—	15	0.750	0.005	LB	0.325	(8.255)	A	9	20	29	39	52	70	70	
† 9053-100-0002	—	1	150	—	100	—	15	0.500	0.005	LB	0.370	(9.398)	A	4	12	21	31	48	70	70	
SCI-1250-001	—	1	150	—	100	—	15	0.500	0.003	LB	0.450	(11.430)	B	8	20	25	34	50	64	70	
€ SCI-2150-000	—	1	150	—	100	—	15	1.000	0.003	LB	0.450	(11.430)	A	10	25	30	41	56	70	70	
SCI-2150-001	—	1	150	—	100	—	15	1.000	0.003	LB	0.450	(11.430)	B	10	25	30	41	56	70	70	
† 51-717-007	—	2*	250	125	200	125	15	0.015	0.005	LB	0.325	(8.255)	A	—	—	—	6	25	38	45	
† 51-359-007	—	1	250	125	200	125	15	0.012	0.005	LB	0.370	(9.398)	A	—	—	—	6	25	38	50	
9050-100-0011	—	2	350	125	300	125	15	0.150	0.008	LB	0.325	(8.255)	A	—	10	15	25	40	52	60	
€ SCI-2350-000	—	1	300	125	300	125	15	0.250	0.003	LB	0.450	(11.430)	A	4	15	21	31	50	70	70	
SCI-2350-001	—	1	300	125	300	125	15	0.250	0.003	LB	0.450	(11.430)	B	4	15	21	31	50	70	70	

* Part is resin sealed, this is not a hermetic part.

(See MIL index on pages CF9-11 for complete MIL part number listing)

.375 ø L Circuit MIL Qualified Low Profile

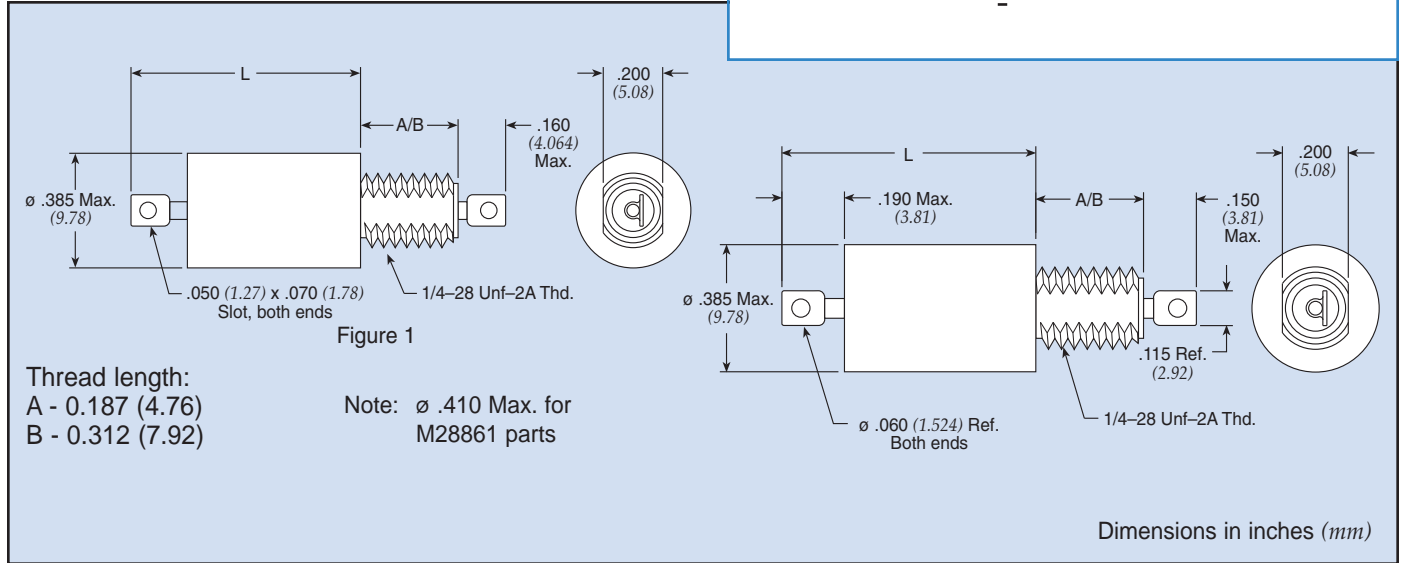
Part Number	M15733 M28861 MIL No	See Pg. LP28 for Fig	Rated Voltage				I Amp	Min Cap µF	DCR Max Ohms	CKT	Max L		Thd Lgth	Minimum Insertion Loss (dB)							
			85°C		125°C						In	(mm)		30 KHz	150 KHz	300 KHz	1 MHz	10 MHz	100 MHz	1 GHz	
			DC	AC	DC	AC															
† 51-359-021	38-0004	1	—	—	50	—	10	1.400	0.008	LB	0.370	(9.398)	A	15	28	33	44	60	70	70	
† 51-359-024	38-0005	1	80	—	50	—	10	1.400	0.008	LB	0.370	(9.398)	A	15	28	33	44	60	70	70	
† 51-359-051	58-0001	1	80	—	50	—	10	1.400	0.008	LB	0.545	(13.843)	A	15	28	33	44	60	70	70	
51-359-105	58-0004	1	80	—	50	—	10	1.400	0.008	LT	0.545	(13.843)	B	15	28	33	44	60	70	70	
† 51-359-044	49-0006	1	100	—	50	—	15	1.200	0.010	LB	0.370	(9.398)	A	15	28	33	44	60	70	70	
† 51-359-055	49-0007	3	100	—	50	—	15	1.200	0.010	LB	0.450	(11.43)	A	15	28	33	44	60	70	70	
51-359-081	1-001◇	1	—	—	50	—	15	1.400	0.008	LB	0.410	(10.414)	A	15	28	33	40	40	70	70	
51-359-086	1-011◇	1	—	—	50	—	15	1.400	0.008	LB	0.410	(10.414)	B	15	28	33	40	40	70	70	
† 51-359-053	49-0001	4	100	—	50	—	15	0.680	0.010	LB	0.319	(8.103)	A	8	20	28	38	55	70	70	
51-359-082	1-003◇	1	—	—	70	—	15	0.700	0.008	LB	0.410	(10.414)	A	10	24	30	40	40	64	70	
51-359-083	1-005◇	1	—	—	100	—	15	0.450	0.008	LB	0.410	(10.414)	A	6	19	25	36	40	60	70	
51-359-088	1-015◇	1	—	—	100	—	15	0.450	0.008	LB	0.410	(10.414)	B	6	19	25	36	40	60	70	
51-359-084	1-007◇	1	—	—	150	—	15	0.250	0.008	LB	0.410	(10.414)	A	—	14	20	31	40	56	70	
51-359-050	38-0008	1	—	—	200	125	15	0.150	0.008	LB	0.370	(9.398)	A	—	—	—	6	25	42	60	
51-359-085	1-009◇	1	—	—	200	125	15	0.150	0.008	LB	0.410	(10.414)	A	—	10	16	26	40	52	70	
51-359-090	1-019◇	1	—	—	200	125	15	0.150	0.008	LB	0.410	(10.414)	B	—	10	16	26	40	52	70	

† Also available through API's authorized distributors.

€ Also available through API's authorized European distributors/agents.

Hermetically Sealed Threaded Case Filters

.375 ø L Circuit



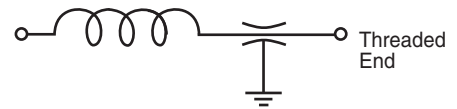
.375 ø L Circuit Standard Product

Part Number	MIL No	Figure	Rated Voltage				I Amp	Min Cap µF	DCR Max Ohms	CKT	Max L In	Max L (mm)	Thd Lgth	Minimum Insertion Loss (dB)						
			85°C DC	85°C AC	125°C DC	125°C AC								30 KHz	150 KHz	300 KHz	1 MHz	10 MHz	100 MHz	1 GHz
51-353-007	—	1	80	—	50	—	0.06	1.400	70.000	LB	0.770	(19.558)	A	44	70	70	70	70	70	70
51-353-095	—	1	80	—	50	—	0.15	1.400	12.000	LT	0.960	(24.384)	A	21	52	64	70	70	70	70
51-353-003	—	1	80	—	50	—	0.45	1.400	1.200	LB	0.770	(19.558)	A	16	31	37	55	70	70	70
51-353-099	—	1	80	—	50	—	1.00	1.400	0.250	LT	0.770	(19.558)	A	16	33	44	70	70	70	70
51-353-100	—	1	80	—	50	—	5.00	1.400	0.015	LT	0.770	(19.558)	A	15	28	33	46	70	70	70
† 9200-300-0025	—	1	80	—	50	—	10.00	1.200	0.010	LB	0.450	(11.430)	A	15	28	33	44	60	70	70

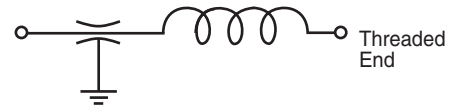
† Also available through API's authorized distributors.

Hermetically Sealed Threaded Case Filters

L-C Filter LT



L-C Filter LB



.375 ø L Circuit Standard Product *continued*

Part Number	MIL No	See Pg. LP30 for Fig	Rated Voltage				I Amp	Min Cap µF	DCR Max Ohms	CKT	Max L		Thd Lgth	Minimum Insertion Loss (dB)						
			85°C		125°C						In	(mm)		30 KHz	150 KHz	300 KHz	1 MHz	10 MHz	100 MHz	1 GHz
			DC	AC	DC	AC														
† 9200-303-0095	—	1	80	—	50	—	10.00	1.200	0.010	LB	0.450	(11.430)	B	15	28	33	44	60	70	70
51-353-101	—	1	80	—	50	—	10.00	1.400	0.010	LT	0.450	(11.430)	A	14	28	33	44	60	70	70
51-353-109	—	1	80	—	50	—	10.00	1.400	0.010	LT	0.450	(11.430)	B	15	28	33	44	60	70	70
51-353-120	—	1	150	—	100	—	1.00	0.750	0.250	LB	0.758	(19.253)	A	9	27	36	57	70	70	70
9000-103-0019	—	1	150	—	100	—	5.00	0.450	0.015	LT	0.758	(19.253)	B	6	20	26	37	68	70	70
SCI-2120-014	—	1	150	—	100	—	10.00	1.000	0.003	LB	0.450	(11.430)	B	14	28	34	44	52	70	70
51-353-110	—	1	250	—	200	125	1.00	0.250	0.250	LT	0.758	(19.253)	A	—	17	29	50	70	70	70
† 51-353-111	—	1	250	—	200	125	1.00	0.250	0.250	LB	0.758	(19.253)	A	—	17	29	50	70	70	70
51-353-112	—	1	250	—	200	125	3.00	0.250	0.050	LT	0.758	(19.253)	A	—	13	20	35	70	70	70
† 51-353-113	—	1	250	—	200	125	3.00	0.250	0.050	LB	0.758	(19.253)	A	—	13	20	35	70	70	70
51-353-114	—	1	250	—	200	125	5.00	0.250	0.015	LT	0.758	(19.253)	A	—	12	20	30	62	70	70
51-353-116	—	1	250	—	200	125	10.00	0.250	0.010	LT	0.450	(11.430)	A	—	15	20	30	50	70	70
SCI-2320-010	—	1	300	—	300	125	0.50	0.150	1.000	LB	0.758	(19.253)	B	—	23	35	56	70	70	70
SCI-2320-004	—	1	300	—	300	125	1.00	0.150	0.250	LB	0.758	(19.253)	A	—	10	21	41	70	70	70
SCI-2320-005	—	1	300	—	300	125	2.00	0.150	0.063	LB	0.758	(19.253)	A	—	8	14	30	70	70	70
SCI-2320-006	—	1	300	—	300	125	3.00	0.150	0.027	LB	0.758	(19.253)	A	—	8	14	26	64	70	70
SCI-2320-007	—	1	300	—	300	125	10.00	0.150	0.003	LB	0.450	(11.430)	A	—	8	14	25	45	52	70
SCI-2320-014	—	1	300	—	300	125	10.00	0.150	0.003	LB	0.450	(11.430)	B	—	8	14	25	45	52	70

(See MIL index on pages CF9-11 for complete MIL part number listing)

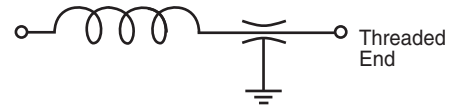
.375 ø L Circuit MIL Qualified Profile

Part Number	M15733 MIL No	See Pg. LP30 for Fig	Rated Voltage				I Amp	Min Cap µF	DCR Max Ohms	CKT	Max L		Thd Lgth	Minimum Insertion Loss (dB)						
			85°C		125°C						In	(mm)		30 KHz	150 KHz	300 KHz	1 MHz	10 MHz	100 MHz	1 GHz
			DC	AC	DC	AC														
51-390-018	23-0026	1	—	—	50	—	0.50	1.400	0.360	LB	0.630	(16.002)	A	12	36	48	69	70	70	70
51-390-026	23-0038	1	—	—	50	—	1.00	1.400	0.140	LB	0.630	(16.002)	A	11	26	36	55	70	70	70
51-390-034	23-0050	1	—	—	50	—	2.00	1.400	0.070	LB	0.630	(16.002)	A	10	24	32	48	70	70	70
† 51-353-067	24-0006	1	80	—	50	—	10.00	1.400	0.010	LB	0.760	(19.304)	B	15	28	31	42	56	70	70
51-353-207	34-0007	1	—	—	50	—	10.00	1.400	0.010	LB	0.760	(19.304)	A	15	28	31	42	56	70	70
51-444-072	58-0002	1	80	—	50	—	10.00	1.400	0.008	LT	0.545	(13.843)	A	15	28	33	44	60	70	70
† 51-353-066	24-0005	1	80	—	50	—	10.00	1.400	0.010	LB	0.760	(19.304)	A	15	28	31	42	56	70	70
51-353-287	39-0014	1	—	—	50	—	10.00	1.400	0.003	LT	0.760	(19.304)	B	14	28	34	44	52	70	70
† 51-444-060	24-0008	1	80	—	50	—	10.00	1.400	0.010	LT	0.740	(18.796)	B	15	28	31	42	56	70	70
† 51-343-028	38-0002	1	—	—	50	—	15.00	1.400	0.008	LB	0.481	(12.217)	A	15	28	33	44	64	70	70
† 51-343-034	38-0006	1	—	—	50	—	15.00	1.400	0.008	LB	0.481	(12.217)	B	15	28	33	44	64	70	70
51-353-053	25-0003	1	—	—	100	—	1.00	0.450	0.250	LB	0.738	(18.745)	A	6	23	34	55	70	70	70
† 51-353-054	25-0005	1	—	—	100	—	5.00	0.450	0.015	LT	0.758	(19.253)	A	6	17	23	35	69	70	70
† 51-353-055	25-0008	1	—	—	100	—	5.00	0.450	0.015	LB	0.738	(18.745)	A	6	17	23	35	69	70	70
51-353-155	39-0008	1	—	—	100	—	5.00	0.450	0.015	LB	0.760	(19.304)	A	6	20	26	35	60	60	70
51-444-039	25-0017	1	—	—	100	—	5.00	0.450	0.015	LT	0.758	(19.253)	B	6	17	23	35	69	70	70

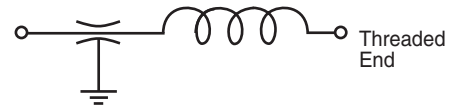
† Also available through API's authorized distributors.

Hermetically Sealed Threaded Case Filters

L-C Filter LT



L-C Filter LB



.375 ø L Circuit MIL Qualified Profile *continued*

(See MIL index on pages CF9-11 for complete MIL part number listing)

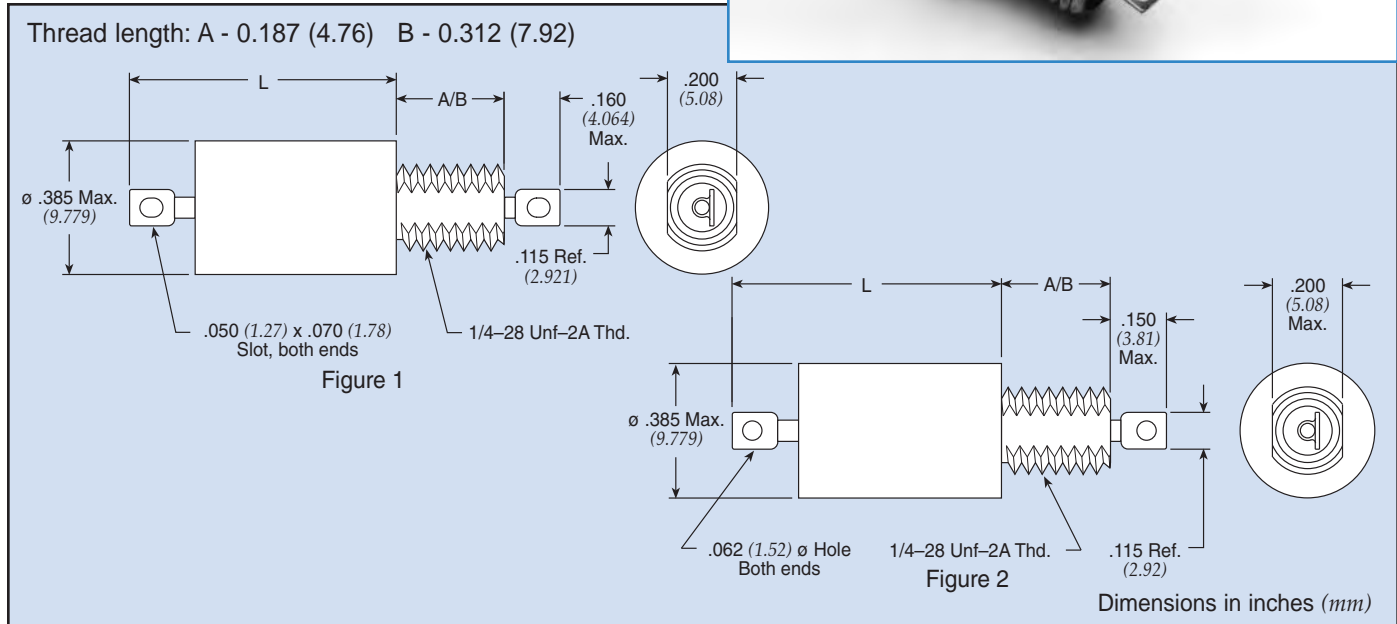
Part Number	M15733 MIL No	See Pg. LP30 for Fig	Rated Voltage				I Amp	Min Cap µF	DCR Max Ohms	CKT	Max L In (mm)	Thd Lgth	Minimum Insertion Loss (dB)							
			85°C		125°C								30 KHz	150 KHz	300 KHz	1 MHz	10 MHz	100 MHz	1 GHz	
			DC	AC	DC	AC														
51-444-040	25-0020	1	—	—	100		5.00	0.450	0.015	LB	0.738 (18.745)	B	6	17	23	35	69	70	70	
51-353-156	39-0009	1	—	—	100		10.00	0.450	0.003	LT	0.760 (19.304)	A	6	20	26	35	56	60	70	
51-353-157	39-0010	1	—	—	100		10.00	0.450	0.003	LB	0.760 (19.304)	A	6	20	26	35	56	60	70	
+ 51-353-076	26-0001	1	—	—	150	125	1.00	0.250	0.250	LT	0.758 (19.253)	A	—	13	24	45	80	70	70	
+ 51-353-077	26-0003	1	—	—	150	125	1.00	0.250	0.250	LB	0.738 (18.745)	A	—	13	24	45	80	70	70	
51-444-043	26-0013	1	—	—	150	125	1.00	0.250	0.250	LT	0.758 (19.253)	B	—	13	24	45	80	70	70	
51-444-044	26-0015	1	—	—	150	125	1.00	0.250	0.250	LB	0.738 (18.745)	B	—	13	24	45	80	70	70	
51-390-040	23-0058	1	—	—	150		2.00	0.250	0.070	LT	0.630 (16.002)	A	3	15	23	38	60	70	60	
51-390-039	23-0057	1	—	—	150		2.00	0.250	0.070	LT	0.630 (16.002)	B	3	15	23	38	60	70	60	
51-444-005	34-0015	1	—	—	150	125	3.00	0.150	0.050	LT	0.758 (19.253)	B	—	8	15	30	68	70	70	
+ 51-353-078	26-0004	1	—	—	150	125	3.00	0.250	0.050	LT	0.758 (19.253)	A	—	8	15	30	68	70	70	
+ 51-353-079	26-0006	1	—	—	150	125	3.00	0.250	0.050	LB	0.738 (18.745)	A	—	8	15	30	68	70	70	
+ 51-444-046	26-0018	1	—	—	150	125	3.00	0.250	0.050	LB	0.738 (18.745)	B	—	8	15	30	68	70	70	
51-444-047	26-0019	1	—	—	150	125	5.00	0.250	0.015	LT	0.758 (19.253)	B	—	8	14	25	58	70	70	
+ 51-353-080	26-0007	1	—	—	150	125	5.00	0.250	0.015	LT	0.758 (19.253)	A	—	8	14	25	58	70	70	
51-353-081	26-0010	1	—	—	150	125	5.00	0.250	0.015	LB	0.738 (18.745)	A	—	8	14	25	58	70	70	
51-444-027	34-0030	1	—	—	200	125	5.00	0.250	0.150	LB	0.900 (22.860)	A	2	15	21	32	60	70	70	
51-444-117	54-0018	2	—	—	300	125	1.00	0.150	0.250	LB	0.740 (18.796)	A	—	10	21	41	70	70	70	

† Also available through API's authorized distributors.

Hermetically Sealed Threaded Case Filters



.375 ø Pi Circuit



.375 ø Pi Circuit Standard Product

Part Number	MIL No	Figure	Rated Voltage				I Amp	Min Cap µF	DCR Max Ohms	Max L		Thd Lgth	Minimum Insertion Loss (dB)						
			85°C		125°C					In	(mm)		30 KHz	150 KHz	300 KHz	1 MHz	10 MHz	100 MHz	1 GHz
			DC	AC	DC	AC													
SCI-2030-010	—	2	80	—	50	—	0.50	1.500	1.000	0.758	(19.253)	B	24	66	70	70	70	70	
SCI-2030-004	—	2	80	—	50	—	1.00	1.500	0.250	0.758	(19.253)	A	15	54	70	70	70	70	
SCI-2030-005	—	2	80	—	50	—	2.00	1.500	0.063	0.758	(19.253)	A	—	45	62	70	70	70	
SCI-2030-006	—	2	80	—	50	—	3.00	1.500	0.027	0.758	(19.253)	A	—	35	55	70	70	70	
SCI-2030-013	—	2	80	—	50	—	3.00	1.500	0.027	0.758	(19.253)	B	—	35	55	70	70	70	
†9001-100-1080	—	1	80	—	50	—	5.00	2.800	0.015	0.758	(19.253)	A	—	18	60	70	70	70	
†9001-100-1081	—	1	80	—	50	—	10.0	2.800	0.005	0.758	(19.253)	A	21	32	40	35	68	70	70
SCI-2130-009	—	1	150	—	100	—	0.25	1.000	4.000	0.758	(19.253)	B	28	70	70	70	70	70	
51-311-319	—	1	150	—	100	—	0.50	1.000	0.600	0.758	(19.253)	A	—	51	69	70	70	70	
†9001-100-1010	—	1	150	—	100	—	0.50	1.000	0.600	0.758	(19.253)	A	6	39	68	70	70	70	
51-311-320	—	1	150	—	100	—	1.00	1.000	0.250	0.758	(19.253)	A	—	41	60	70	70	70	
†9001-100-1013	—	1	150	—	100	—	1.00	1.000	0.250	0.758	(19.253)	A	—	28	59	70	70	70	
51-311-321	—	1	150	—	100	—	3.00	1.000	0.060	0.758	(19.253)	A	—	16	41	70	70	70	
†51-311-322	—	1	150	—	100	—	5.00	1.000	0.015	0.758	(19.253)	A	—	—	28	65	70	70	
SCI-2130-007	—	1	150	—	100	—	10.0	1.000	0.003	0.758	(19.253)	A	9	24	29	40	70	70	
SCI-2130-014	—	1	150	—	100	—	10.0	1.000	0.005	0.758	(19.253)	B	9	24	29	40	70	70	
51-311-316	—	1	250	125	200	125	1.00	0.300	0.250	0.758	(19.253)	A	—	20	40	70	70	70	
51-311-317	—	1	250	125	200	125	3.00	0.300	0.050	0.758	(19.253)	A	—	—	20	55	70	70	
†9001-100-1025	—	1	250	125	200	125	5.00	0.300	0.015	0.758	(19.253)	A	—	—	12	50	70	70	80
SCI-2330-009	—	1	300	125	300	125	0.25	0.300	4.000	0.758	(19.253)	B	8	50	66	70	70	70	
SCI-2330-010	—	1	300	125	300	125	0.50	0.300	1.000	0.758	(19.253)	B	—	40	56	70	70	70	
SCI-2330-012	—	1	300	125	300	125	2.00	0.300	0.063	0.758	(19.253)	B	—	18	33	63	70	70	
SCI-2330-007	—	1	300	125	300	125	10.0	0.300	0.003	0.758	(19.253)	A	—	14	20	30	70	70	

† Also available through API's authorized distributors.

Hermetically Sealed Threaded Case Filters

.375 ø Pi Circuit MIL Qualified Product

(See MIL index on pages CF9-11 for complete MIL part number listing)

Part Number	M15733 MIL No	See Pg. LP33 for Fig.	Rated Voltage				I Amp	Min Cap µF	DCR Max Ohms	Max L		Thd Lgth	Minimum Insertion Loss (dB)						
			85°C		125°C					In	(mm)		30 KHz	150 KHz	300 KHz	1 MHz	10 MHz	100 MHz	1 GHz
			DC	AC	DC	AC													
51-390-305	23-0017	1	—	—	50	—	0.30	2.800	0.770	0.730	(18.542)	B	29	73	80	80	80	80	
51-390-314	23-0042	1	—	—	50	—	1.00	2.800	0.140	0.730	(18.542)	A	8	52	71	80	80	80	80
† 51-390-318	23-0054	1	—	—	50	—	2.00	1.500	0.070	0.730	(18.542)	A	—	46	65	80	80	80	80
† 51-390-317	23-0053	1	—	—	50	—	2.00	1.500	0.070	0.730	(18.542)	B	—	46	65	80	80	80	80
51-311-311	25-0010	1	—	—	100	—	0.25	0.900	1.500	0.793	(20.142)	A	—	48	66	80	80	80	70
† 51-311-308	25-0002	1	—	—	100	—	1.00	0.500	0.250	0.793	(20.142)	A	—	33	52	80	80	80	70
† 51-311-309	25-0004	1	—	—	100	—	3.00	0.660	0.050	0.793	(20.142)	A	—	17	34	68	80	80	70
† 51-311-310	25-0006	1	—	—	100	—	5.00	0.900	0.015	0.793	(20.142)	A	—	—	17	57	80	80	70
51-353-344	39-0011	1	—	—	100	—	10.0	0.990	0.003	0.760	(19.304)	A	9	24	29	40	70	70	70
51-353-345	39-0012	1	—	—	100	—	10.0	0.990	0.003	0.760	(19.304)	A	9	24	29	40	70	70	70
† 51-311-314	26-0011	1	—	—	150	125	0.25	0.300	1.500	0.793	(20.142)	A	—	29	47	70	80	80	70
51-390-312	23-0036	1	—	—	150	—	0.50	0.500	0.360	0.730	(18.542)	A	—	48	66	70	70	70	70
51-390-311	23-0035	1	—	—	150	—	0.50	0.500	0.360	0.730	(18.542)	B	—	48	66	70	70	70	70
† 51-353-336	26-0002	1	—	—	150	125	1.00	0.300	0.250	0.793	(20.142)	A	—	11	32	63	80	80	70
51-390-315	23-0047	1	—	—	150	—	1.00	0.500	0.140	0.730	(18.542)	B	—	32	51	70	70	70	70
51-311-312	26-0005	1	—	—	150	125	3.00	0.300	0.050	0.793	(20.142)	A	—	5	6	47	80	80	70
51-311-408	54-0005	2	—	—	300	115	1.00	0.300	0.250	0.761	(19.329)	A	—	23	43	70	70	70	70

† Also available through API's authorized distributors.

Transient Suppression Pi Filters

Part Number	See Pg. LP33 for Fig.	Rated Volt. VDC	I Amp	Min Cap µF	DCR Min Mohms	Max RDC Ohms	Transient Suppressor*				Length		Max Thd Lgth	Minimum Insertion Loss (dB)						
							VR* (VDC)	BV* (VDC)	IT* (MA)	IPP* (A)	In	(mm)		30 KHz	300 KHz	1 MHz	10 MHz	100 MHz	1 GHz	
51-570-300	1	5	0.50	1.400	0.500	0.600	6.5	7.22/7.98	10	44.7	1.179	(29.947)	A	23	57	70	70	70	70	
51-570-301	1	5	1.00	1.400	0.500	0.350	6.5	7.22/7.98	10	44.7	1.179	(29.947)	A	3	47	70	70	70	70	
51-570-302	1	5	3.00	1.400	0.500	0.060	6.5	7.22/7.98	10	44.7	1.179	(29.947)	A	—	23	58	70	70	70	
51-570-303	1	5	5.00	1.400	0.500	0.015	6.5	7.22/7.98	10	44.7	1.179	(29.947)	A	—	17	48	70	70	70	
51-570-304	1	5	10.00	1.400	0.500	0.005	6.5	7.22/7.98	10	44.7	1.179	(29.947)	A	16	26	35	40	60	70	
51-570-310	1	28	0.50	1.400	30.000	0.600	33.0	36.7/40.6	1	9.4	1.179	(29.947)	A	23	57	70	70	70	70	
51-570-311	1	28	1.00	1.400	30.000	0.350	33.0	36.7/40.6	1	9.4	1.179	(29.947)	A	3	47	70	70	70	70	
51-570-312	1	28	3.00	1.400	30.000	0.060	33.0	36.7/40.6	1	9.4	1.179	(29.947)	A	—	23	58	70	70	70	
51-570-313	1	28	5.00	1.400	30.000	0.015	33.0	36.7/40.6	1	9.4	1.179	(29.947)	A	—	17	48	70	70	70	
51-570-314	1	28	10.00	1.400	30.000	0.005	33.0	36.7/40.6	1	9.4	1.179	(29.947)	A	16	26	35	40	60	70	
51-570-320	1	50	0.50	1.400	50.000	0.600	58.0	64.4/71.2	1	5.3	1.179	(29.947)	A	23	57	70	70	70	70	
51-570-321	1	50	1.00	1.400	50.000	0.350	58.0	64.4/71.2	1	5.3	1.179	(29.947)	A	3	47	70	70	70	70	
51-570-322	1	50	3.00	1.400	50.000	0.060	58.0	64.4/71.2	1	5.3	1.179	(29.947)	A	—	23	58	70	70	70	
51-570-323	1	50	5.00	1.400	50.000	0.015	58.0	64.4/71.2	1	5.3	1.179	(29.947)	A	—	17	48	70	70	70	
51-570-324	1	50	10.00	1.400	50.000	0.005	58.0	64.4/71.2	1	5.3	1.179	(29.947)	A	16	26	35	40	60	70	

* Transient Suppression definitions and ratings

VR = Reverse standoff voltage
BV = Breakdown voltage

IPP = Max. peak pulse current
IT = Test current

Hermetically Sealed Threaded Case Filters



.375 ø T Circuit

Thread length: A - 0.187 (4.76) B - 0.312 (7.92)

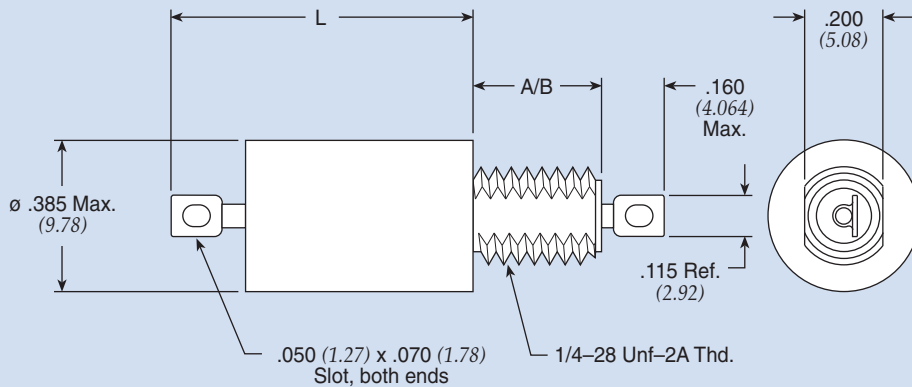


Figure 1

Note: Max. O.D. is ø .416" for Military QPL Filters.

Dimensions in inches (mm)

.375 ø T Circuit Standard Product

Part Number	MIL No	Figure	Rated Voltage				I Amp	Min Cap µF	DCR Max Ohms	Max L In (mm)	Thd Lgth	Minimum Insertion Loss (dB)						
			85°C		125°C							30 KHz	150 KHz	300 KHz	1 MHz	10 MHz	100 MHz	1 GHz
			DC	AC	DC	AC												
SCI-2040-012	—	1	80	—	50	—	2.00	1.400	0.126	1.071 (27.203)	B	8	22	30	55	70	70	70
SCI-2040-013	—	1	80	—	50	—	3.00	1.400	0.054	1.071 (27.203)	B	8	22	28	43	70	70	70
† 9004-100-2017	—	1	80	—	50	—	15.0	1.400	0.005	1.179 (29.947)	A	17	27	34	44	60	70	70
SCI-2140-004	—	1	150	—	100	—	1.00	0.500	0.500	1.070 (27.178)	A	4	25	40	70	70	70	70
SCI-2140-006	—	1	150	—	100	—	3.00	0.500	0.054	1.071 (27.203)	A	4	19	24	39	70	70	70
SCI-2140-007	—	1	150	—	100	—	10.0	0.500	0.010	1.071 (27.203)	A	4	19	24	34	57	70	70
SCI-2340-009	—	1	300	—	300	125	0.25	0.150	8.000	1.071 (27.203)	B	11	57	70	70	70	70	70
SCI-2340-004	—	1	300	—	300	125	1.00	0.150	0.500	1.071 (27.203)	A	—	13	29	59	70	70	70
SCI-2340-013	—	1	300	—	300	125	3.00	0.150	0.054	1.071 (27.203)	B	—	8	14	29	70	70	70
SCI-2340-014	—	1	300	—	300	125	10.0	0.150	0.010	1.071 (27.203)	B	—	8	14	24	47	70	70

† Also available through API's authorized distributors.

(See MIL index on pages CF9-11 for complete MIL part number listing)

.375 ø T Circuit MIL Qualified Product

Part Number	M15733 MIL No	Figure	Rated Voltage				I Amp	Min Cap µF	DCR Max Ohms	Max L In (mm)	Thd Lgth	Minimum Insertion Loss (dB)						
			85°C		125°C							30 KHz	150 KHz	300 KHz	1 MHz	10 MHz	100 MHz	1 GHz
			DC	AC	DC	AC												
51-382-609	25-0024	1	—	—	100	—	2.00	0.750	0.100	1.179 (29.947)	B	10	22	31	55	80	70	70
51-382-603	25-0007	1	—	—	100	—	4.00	0.750	0.063	1.345 (34.163)	A	10	22	28	43	80	70	70
† 51-351-604	26-0012	1	—	—	150	125	2.00	0.250	0.100	1.179 (29.947)	A	—	13	21	43	80	70	70
51-351-603	26-0008	1	—	—	150	125	4.00	0.250	0.063	1.345 (34.163)	A	—	11	18	33	80	70	70

† Also available through API's authorized distributors.

Hermetically Sealed Threaded Case Filters

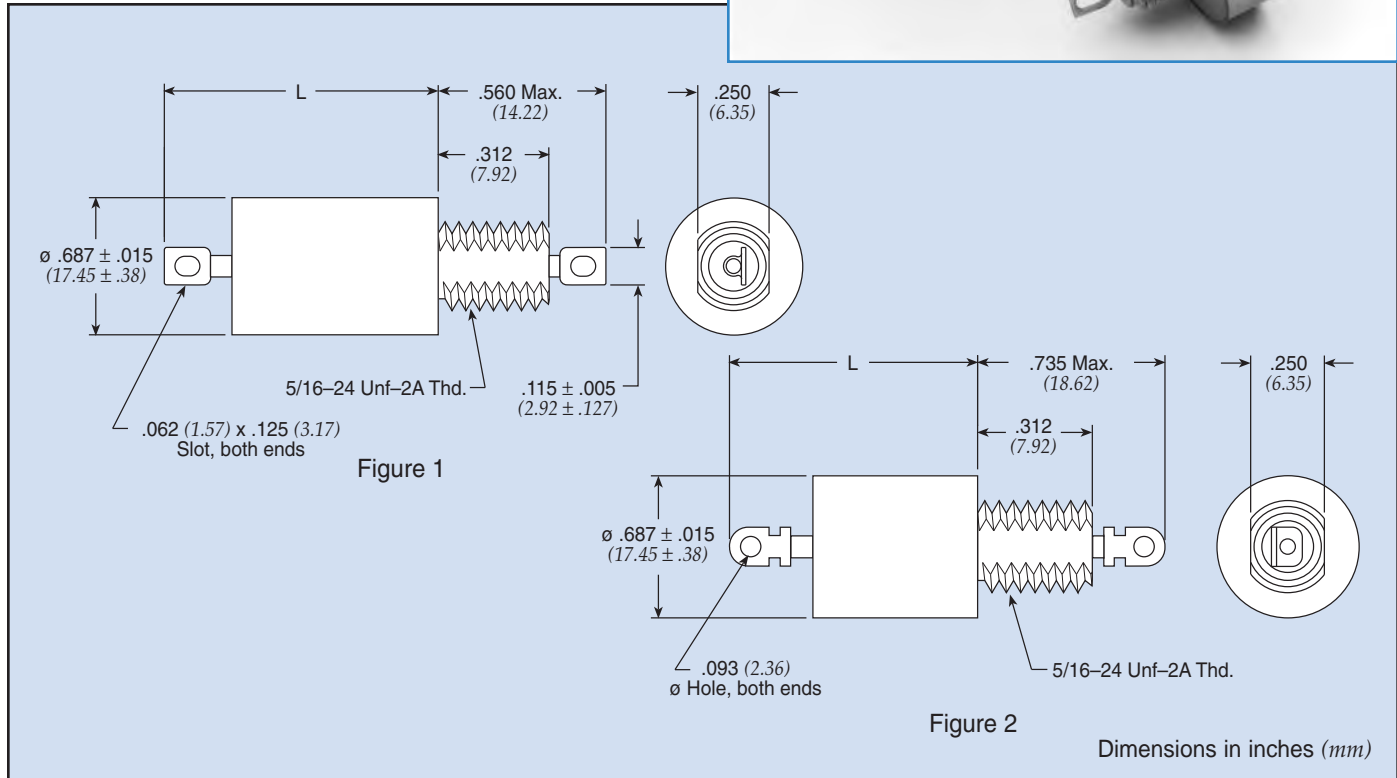
.375 ø TT Circuit Standard Product

Part Number	MIL No	See Pg. LP35 for Fig.	Rated Voltage				I Amp	Min Cap µF	DCR Max Ohms	Max L		Thd Lgth	Minimum Insertion Loss (dB)						
			85°C		125°C					In	(mm)		30 KHz	150 KHz	300 KHz	1 MHz	10 MHz	100 MHz	1 GHz
			DC	AC	DC	AC													
SCI-2060-009	—	1	—	—	50	—	0.25	1.500	12.000	1.241	(31.521)	B	70	70	70	70	70	70	70
SCI-2060-013	—	1	—	—	50	—	3.00	1.500	0.081	1.241	(31.521)	B	—	33	54	70	70	70	70
SCI-2060-007	—	1	—	—	50	—	10.0	1.500	0.006	1.241	(31.521)	A	15	29	35	42	55	70	70
SCI-2060-014	—	1	—	—	50	—	10.0	1.500	0.006	1.241	(31.521)	B	15	29	35	42	55	70	70
SCI-2160-011	—	1	—	—	100	—	1.00	1.500	0.750	1.241	(31.521)	B	12	52	70	70	70	70	70
SCI-2160-012	—	1	—	—	100	—	2.00	1.500	0.189	1.241	(31.521)	B	—	33	56	70	70	70	70
SCI-2160-013	—	1	—	—	100	—	3.00	1.500	0.081	1.241	(31.521)	B	—	24	54	70	70	70	70
SCI-2160-014	—	1	—	—	100	—	10.0	1.400	0.006	1.241	(31.521)	B	12	25	32	42	55	70	70
SCI-2360-011	—	1	—	—	300	125	1.00	0.500	0.750	1.241	(31.521)	B	—	48	70	70	70	70	70
SCI-2360-006	—	1	—	—	300	125	3.00	0.500	0.080	1.241	(31.521)	A	—	12	38	70	70	70	70
SCI-2360-007	—	1	—	—	300	125	10.0	0.500	0.006	1.241	(31.521)	A	5	18	24	34	55	70	70
SCI-2360-014	—	1	—	—	300	125	10.0	0.500	0.006	1.241	(31.521)	B	5	18	24	34	55	70	70

Hermetically Sealed Threaded Case Filters



.690 ø C Circuit



.690 ø C Circuit Standard Product

Part Number	MIL No	Figure	Rated Voltage				I Amp	Min Cap μ F	DCR Max Ohms	Max L		Minimum Insertion Loss (dB)						
			85°C		125°C					In	L (mm)	30 KHz	150 KHz	300 KHz	1 MHz	10 MHz	100 MHz	1 GHz
			DC	AC	DC	AC												
† 9932-100-6004	—	1	200	—	150	125	15	2.600	0.005	0.702	(17.831)	10	29	39	50	60	70	70
54-310-001	—	1	300	—	300	125	15	0.500	0.005	0.560	(14.224)	6	19	25	36	50	70	70
54-310-005	—	2	250	—	200	125	25	0.500	0.005	0.750	(19.050)	6	19	25	36	50	70	70
54-310-009	—	1	450	240	400	240	15	0.250	0.005	0.560	(14.224)	—	14	19	30	45	60	70
† 9932-100-6005	—	1	450	240	400	240	15	0.250	0.005	0.560	(14.224)	—	14	19	30	50	70	70

.690 ø C Circuit MIL Qualified Product

Part Number	M15733 MIL No	Figure	Rated Voltage				I Amp	Min Cap μ F	DCR Max Ohms	Max L		Minimum Insertion Loss (dB)						
			85°C		125°C					In	L (mm)	30 KHz	150 KHz	300 KHz	1 MHz	10 MHz	100 MHz	1 GHz
			DC	AC	DC	AC												
54-310-039	34-0037	1	—	—	275	125	15	0.200	0.005	0.575	(14.605)	5	15	21	31	51	70	70

.690 ø C Circuit DSCC 84084 Product

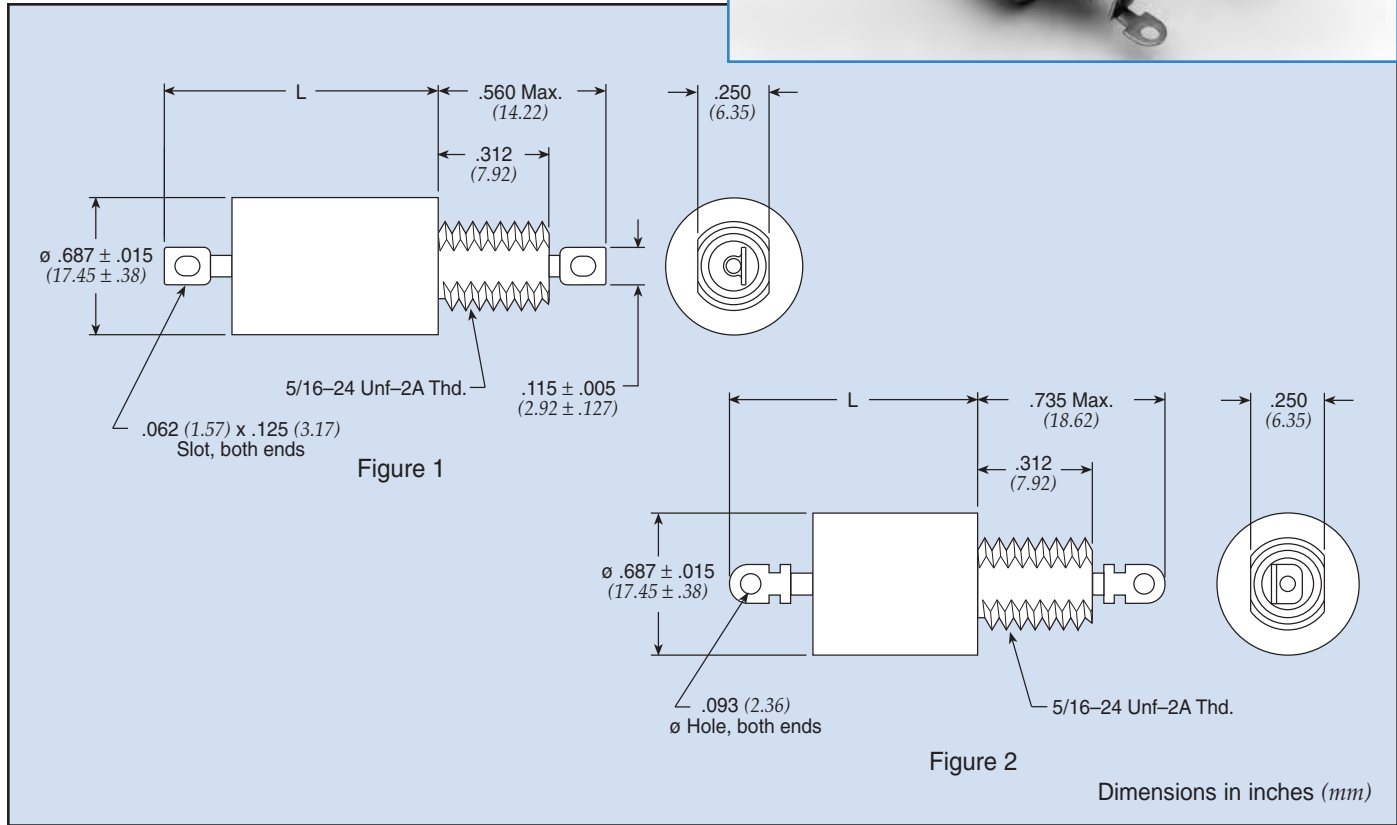
Part Number	84084 No	Figure	Rated Voltage				I Amp	Min Cap μ F	DCR Max Ohms	Max L		Minimum Insertion Loss (dB)						
			85°C		125°C					In	L (mm)	30 KHz	150 KHz	300 KHz	1 MHz	10 MHz	100 MHz	1 GHz
			DC	AC	DC	AC												
54-310-042	-001	1	—	—	400	230	15	0.150	0.005	0.700	(17.780)	—	10	16	26	40	52	70

† Also available through API's authorized distributors.

Hermetically Sealed Threaded Case Filters



.690 ø L Circuit



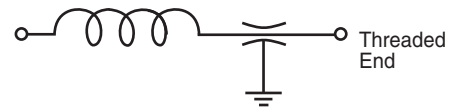
.690 ø L Circuit Standard Product

Part Number	MIL No	Figure	Rated Voltage				I Amp	Min Cap µF	DCR Max Ohms	CKT	Max L		Minimum Insertion Loss (dB)						
			85°C		125°C						In	L (mm)	30 KHz	150 KHz	300 KHz	1 MHz	10 MHz	100 MHz	1 GHz
9010-100-0049	—	1	150	—	100	—	10.0	1.400	0.005	LT	0.905	(22.987)	16	24	34	44	60	70	70
SCI-6120-008	—	1	150	—	100	—	10.0	2.600	0.006	LB	0.959	(24.359)	18	32	39	49	70	70	70
SCI-6120-009	—	1	150	—	100	—	20.0	2.600	0.001	LB	0.905	(22.987)	18	32	39	49	60	70	70
51-320-041	—	1	250	—	200	125	10.0	0.500	0.008	LT	0.905	(22.987)	5	19	25	35	50	70	70
51-320-024	—	1	450	240	400	240	1.00	0.360	0.210	LT	0.905	(22.987)	5	30	38	60	70	70	70
51-320-100	—	1	450	240	400	240	1.00	0.250	0.210	LT	0.905	(22.987)	—	21	33	55	70	70	70
† 51-320-026	—	1	450	240	400	240	3.00	0.360	0.030	LT	0.905	(22.987)	5	19	25	45	70	70	70
51-320-103	—	1	450	240	400	240	5.00	0.360	0.010	LB	0.905	(22.987)	—	12	18	30	60	70	70
51-322-007	—	1	450	240	400	240	15.0	0.360	0.007	LB	0.650	(16.510)	5	19	25	35	48	62	70
51-322-015	—	2	450	240	400	240	25.0	0.360	0.007	LT	0.750	(19.050)	5	17	23	34	48	62	70
51-322-036	—	2	450	240	400	240	25.0	0.250	0.007	LB	0.750	(19.050)	—	10	16	29	45	60	70
9010-100-0054	—	1	450	240	300	240	1.00	0.150	0.250	LT	0.905	(22.987)	—	14	32	52	70	70	70
SCI-6320-004	—	1	300	—	300	125	1.00	0.400	0.300	LB	0.959	(24.359)	6	24	35	56	70	70	70

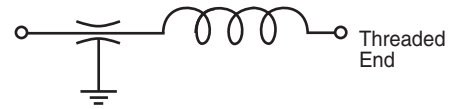
† Also available through API's authorized distributors.

Hermetically Sealed Threaded Case Filters

L-C Filter LT



L-C Filter LB



(See MIL index on pages CF9-11 for complete MIL part number listing)

.690 ø L Circuit MIL Qualified Product

Part Number	M15733 MIL No	See Pg. LP38 for Fig.	Rated Voltage				I Amp	Min Cap µF	DCR Max Ohms	CKT	Max L In	Max L (mm)	Minimum Insertion Loss (dB)							
			85°C		125°C								30 KHz	150 KHz	300 KHz	1 MHz	10 MHz	100 MHz	1 GHz	
			DC	AC	DC	AC														
† 51-320-015	27-0005	1	—	—	200	125	3.00	0.250	0.033	LT	0.900	(22.860)	—	14	21	39	80	70	70	
51-320-017	27-0008	1	—	—	200	125	5.00	0.250	0.016	LT	0.900	(22.860)	—	13	19	32	69	70	70	
51-320-018	27-0009	1	—	—	200	125	5.00	0.250	0.016	LB	0.900	(22.860)	—	13	19	32	69	70	70	
51-323-003	27-0011	1	—	—	200	125	10.0	0.250	0.005	LT	1.031	(26.187)	—	13	19	30	61	70	70	
51-323-004	27-0012	1	—	—	200	125	10.0	0.250	0.005	LB	1.031	(26.187)	—	13	19	30	61	70	70	
† 51-322-009	27-0014	2	—	—	200	125	15.0	0.250	0.007	LT	1.763	(44.780)	—	19	25	36	60	70	70	
51-322-017	34-0002	2	—	—	200	125	20.0	0.360	0.050	LB	1.763	(44.780)	—	19	25	35	57	70	70	

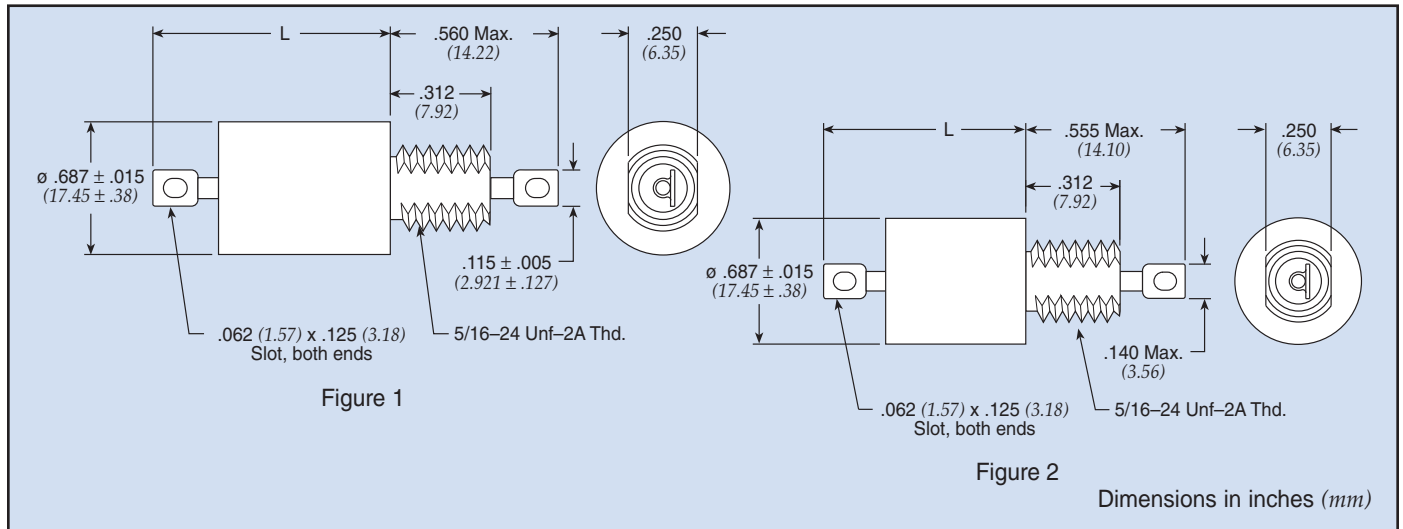
.690 ø L Circuit DSCC 84084 Product

Part Number	84084 No	See Pg. LP38 for Fig.	Rated Voltage				I Amp	Min Cap µF	DCR Max Ohms	CKT	Max L In	Max L (mm)	Minimum Insertion Loss (dB)							
			85°C		125°C								30 KHz	150 KHz	300 KHz	1 MHz	10 MHz	100 MHz	1 GHz	
			DC	AC	DC	AC														
51-320-162	-004	1	—	—	400	230	1.00	0.150	0.150	LT	0.905	(22.987)	—	19	30	46	60	70	70	
51-320-163	-005	1	—	—	400	230	1.00	0.150	0.150	LB	0.905	(22.987)	—	19	30	46	60	70	70	
51-320-164	-006	1	—	—	400	230	3.00	0.150	0.026	LT	0.905	(22.987)	—	11	19	36	60	70	70	
51-320-165	-007	1	—	—	400	230	3.00	0.150	0.026	LB	0.905	(22.987)	—	11	19	36	60	70	70	
51-320-166	-008	1	—	—	400	230	5.00	0.150	0.013	LT	0.905	(22.987)	—	10	16	28	54	70	70	
51-320-167	-009	1	—	—	400	230	5.00	0.150	0.013	LB	0.905	(22.987)	—	10	16	28	54	70	70	
51-320-168	-010	1	—	—	400	230	10.0	0.150	0.008	LT	0.905	(22.987)	—	10	16	25	48	70	70	
51-320-169	-011	1	—	—	400	230	10.0	0.150	0.008	LB	0.905	(22.987)	—	10	16	25	48	70	70	

† Also available through API's authorized distributors.

Hermetically Sealed Threaded Case Filters

.690 ø Pi Circuit



.690 ø Pi Circuit Standard Product

Part Number	MIL No	Figure	Rated Voltage				I Amp	Min Cap μ F	DCR Max Ohms	Max L (mm)		Minimum Insertion Loss (dB)						
			85°C		125°C							30 KHz	150 KHz	300 KHz	1 MHz	10 MHz	100 MHz	1 GHz
			DC	AC	DC	AC												
51-321-322	—	1	150	—	100	—	1.00	2.800	0.210	1.195	(30.353)	35	69	70	70	70	70	70
SCI-6130-009	—	1	150	—	100	—	20.0	5.200	0.001	1.195	(30.353)	23	31	35	35	70	70	70
51-321-317	—	1	450	240	400	*240	1.00	0.720	0.400	1.195	(30.353)	—	53	70	70	70	70	70
†51-321-318	—	1	450	240	400	*240	3.00	0.720	0.030	1.195	(30.353)	—	31	51	70	70	70	70
†51-321-319	—	1	450	240	400	*240	5.00	0.720	0.020	1.195	(30.353)	—	11	30	65	70	70	70

* 0-60 Hz

.690 ø Pi Circuit MIL Qualified Product

(See MIL index on pages CF8-10 for complete MIL part number listing)

Part Number	M15733 MIL No	Figure	Rated Voltage				I Amp	Min Cap μ F	DCR Max Ohms	Max L (mm)		Minimum Insertion Loss (dB)						
			85°C		125°C							30 KHz	150 KHz	300 KHz	1 MHz	10 MHz	100 MHz	1 GHz
			DC	AC	DC	AC												
51-321-312	27-0004	1	—	—	200	125	1.00	0.500	0.250	1.195	(30.353)	—	47	65	80	80	70	70
51-323-313	27-0003	1	—	—	200	125	1.00	0.500	0.270	1.031	(26.187)	—	43	61	80	80	70	70
51-321-313	27-0010	1	—	—	200	125	5.00	0.500	0.024	1.195	(30.353)	—	10	28	64	80	70	70
†51-321-314	27-0013	1	—	—	200	125	10.0	0.500	0.008	1.195	(30.353)	—	16	18	48	80	70	70
51-321-329	34-0005	1	—	—	200	125	10.0	0.500	0.075	1.195	(30.353)	—	16	18	48	80	70	70

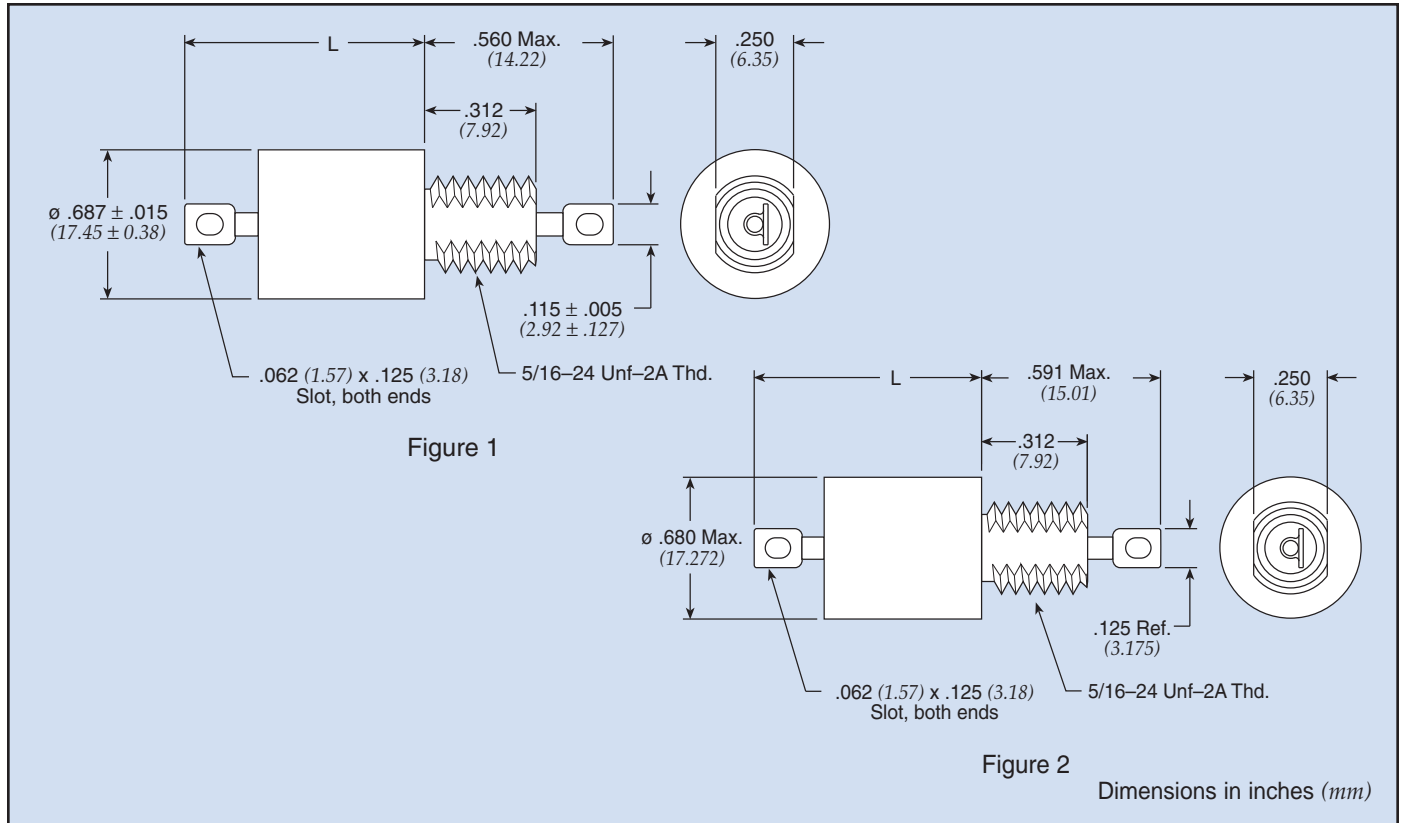
.690 ø Pi Circuit DSCC 84084 Product

Part Number	84084 No	Figure	Rated Voltage				I Amp	Min Cap μ F	DCR Max Ohms	Max L (mm)		Minimum Insertion Loss (dB)						
			85°C		125°C							30 KHz	150 KHz	300 KHz	1 MHz	10 MHz	100 MHz	1 GHz
			DC	AC	DC	AC												
51-321-398	-013	2	—	—	400	230	1.00	0.200	0.150	1.200	(30.480)	—	27	46	74	80	80	80
51-321-399	-014	2	—	—	400	230	3.00	0.200	0.026	1.200	(30.480)	—	—	30	60	80	80	80
51-321-400	-015	2	—	—	400	230	5.00	0.200	0.013	1.200	(30.480)	—	—	12	50	80	80	80
51-321-401	-016	2	—	—	400	230	10.0	0.200	0.008	1.200	(30.480)	—	—	—	30	80	80	80

† Also available through API's authorized distributors.

Hermetically Sealed Threaded Case Filters

.690 ø T Circuit



.690 ø T Circuit Standard Product

Part Number	MIL No	Figure	Rated Voltage				I Amp	Min Cap μ F	DCR Max Ohms	Max L (mm)		Minimum Insertion Loss (dB)						
			85°C		125°C							30 KHz	150 KHz	300 KHz	1 MHz	10 MHz	100 MHz	1 GHz
			DC	AC	DC	AC						In						
SCI-6140-004	—	1	150	—	100	—	1.00	2.600	0.600	1.195	(30.353)	23	54	70	70	70	70	70
SCI-6140-006	—	1	150	—	100	—	3.00	2.600	0.100	1.195	(30.353)	21	35	46	70	70	70	70
SCI-6140-007	—	1	150	—	100	—	5.00	2.600	0.060	1.195	(30.353)	21	34	41	58	70	70	70
SCI-6140-009	—	1	150	—	100	—	20.0	2.600	0.002	1.195	(30.353)	21	35	41	50	60	70	70
51-321-649	—	1	250	125	200	125	2.00	0.360	0.090	1.195	(30.353)	—	24	38	65	70	70	70
† 51-321-610	—	1	450	240	400	240	1.00	0.360	0.600	1.195	(30.353)	7	43	60	70	70	70	70

.690 ø T Circuit MIL Qualified Product

(See MIL index on pages CF8-10 for complete MIL part number listing)

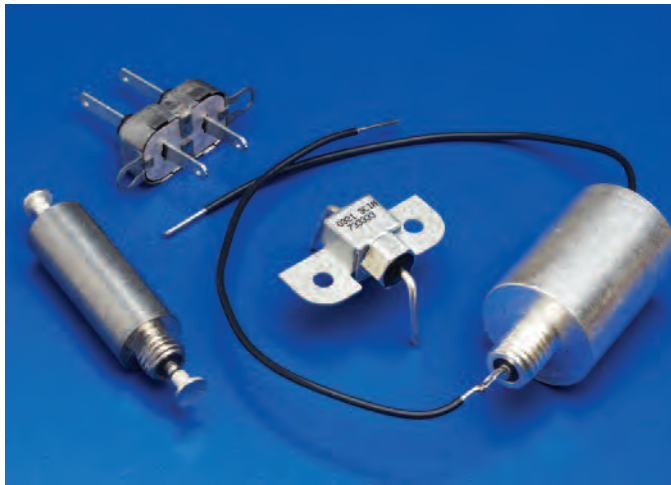
Part Number	M15733 MIL No	Figure	Rated Voltage				I Amp	Min Cap μ F	DCR Max Ohms	Max L (mm)		Minimum Insertion Loss (dB)						
			85°C		125°C							30 KHz	150 KHz	300 KHz	1 MHz	10 MHz	100 MHz	1 GHz
			DC	AC	DC	AC						In						
51-321-607	27-0017	1	—	—	200	125	1.50	0.250	0.133	1.195	(30.353)	—	19	32	62	70	70	70
51-321-608	27-0018	1	—	—	200	125	4.00	0.250	0.025	1.195	(30.353)	—	14	21	36	70	70	70
51-321-670	54-0017	2	—	—	300	115	10.0	0.500	0.006	1.177	(29.896)	5	20	23	35	60	70	60

† Also available through API's authorized distributors.

Value-Added Low Pass Filter Assemblies

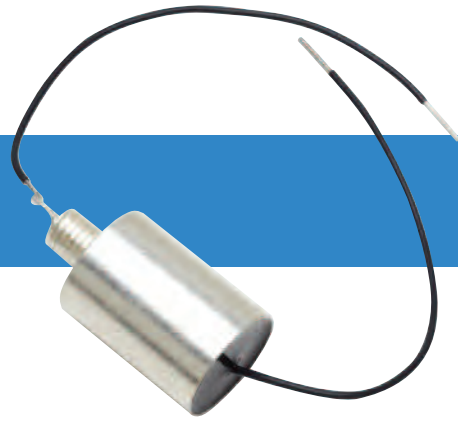
API Technologies' Spectrum Control line of value-added low pass filters provide flexible solutions to meet your unique design challenges. Our manufacturing process allows you to add connectors, modify terminations or add wire harnesses without adding much cost or drastically increasing lead times.

For custom requirements and exceptional needs, contact our design/manufacturing team.



Our value-added services:

- Allow you to stream-line your bill of materials.
- Reduce inventory/production costs.
- Offer custom application-specific low pass filter assemblies.



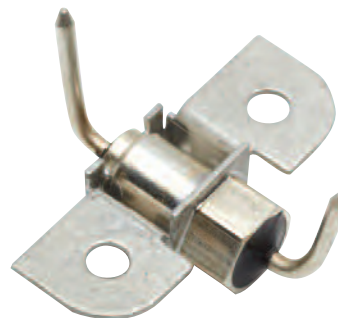
Incorporate specific terminations, connectors or wire harnesses to accommodate your application.



Lower the cost of acquisition and assembly.



Reduce production operations and lead times.



Build-to-order low pass filters.



Компания «ЭлектроПласт» предлагает заключение долгосрочных отношений при поставках импортных электронных компонентов на взаимовыгодных условиях!

Наши преимущества:

- Оперативные поставки широкого спектра электронных компонентов отечественного и импортного производства напрямую от производителей и с крупнейших мировых складов;
- Поставка более 17-ти миллионов наименований электронных компонентов;
- Поставка сложных, дефицитных, либо снятых с производства позиций;
- Оперативные сроки поставки под заказ (от 5 рабочих дней);
- Экспресс доставка в любую точку России;
- Техническая поддержка проекта, помощь в подборе аналогов, поставка прототипов;
- Система менеджмента качества сертифицирована по Международному стандарту ISO 9001;
- Лицензия ФСБ на осуществление работ с использованием сведений, составляющих государственную тайну;
- Поставка специализированных компонентов (Xilinx, Altera, Analog Devices, Intersil, Interpoint, Microsemi, Aeroflex, Peregrine, Syfer, Eurofarad, Texas Instrument, Miteq, Cobham, E2V, MA-COM, Hittite, Mini-Circuits, General Dynamics и др.);

Помимо этого, одним из направлений компании «ЭлектроПласт» является направление «Источники питания». Мы предлагаем Вам помощь Конструкторского отдела:

- Подбор оптимального решения, техническое обоснование при выборе компонента;
- Подбор аналогов;
- Консультации по применению компонента;
- Поставка образцов и прототипов;
- Техническая поддержка проекта;
- Защита от снятия компонента с производства.



Как с нами связаться

Телефон: 8 (812) 309 58 32 (многоканальный)

Факс: 8 (812) 320-02-42

Электронная почта: org@eplast1.ru

Адрес: 198099, г. Санкт-Петербург, ул. Калинина, дом 2, корпус 4, литера А.