

TWM/TWW Series



Ceramic Housed Radial Terminal Power

The TWM/TWW series radial terminal power resistors offer significant board space savings over axial terminal products. Generated heat is also kept away from the circuit board.

They are recommended for commercial applications requiring low cost.



FEATURES

- Economical Commercial Grade for general purpose use
- Wirewound and Metal Oxide construction
- Wide resistance range
- Flameproof inorganic construction

SERIES SPECIFICATIONS

| Series | Wattage | Resistance | Voltage | Element |
|--------|---------|------------|---------|-------------|
| TWW3 | 3 | 0.01-39Ω | 250 | Wire |
| TWW5 | 5 | 0.01-47Ω | 350 | Wire |
| TWW10 | 10 | 0.04-990Ω | 750 | Wire |
| TWW15 | 15 | 0.1Ω-560Ω | 700 | Wire |
| TWW20 | 20 | 0.1Ω-560Ω | 750 | Wire |
| TWM3 | 3 | 43-50KΩ | 250 | Metal oxide |
| TWM5 | 5 | 51-50KΩ | 350 | Metal oxide |
| TWM10 | 10 | 1000-50KΩ | 750 | Metal oxide |
| TWM15 | 15 | 561Ω-200KΩ | 700 | Metal oxide |
| TWM20 | 20 | 561Ω-200KΩ | 750 | Metal oxide |

CHARACTERISTICS

| | |
|----------------------------------------|----------------------------------------------------------------------------------------------------------|
| Housing | Ceramic |
| Core | Fiberglass |
| Filling | Cement based |
| Tolerance | 5% standard |
| Temperature coefficient | 0.01-20Ω ±400ppm/°C; >20-10Ω ±350ppm/°C |
| Dielectric withstanding voltage | 1,000VAC |
| Short time overload | TWW: 10x rated power for 5 sec.; TWM: 5x rated power for 5 sec. 15 & 20 watt: 2.5x RCWV for 5 sec. |
| Operating Temperature | -55°C to 275°C |
| Storage Temperature | 15°C-35°C, humidity: 25%-75% |

Derating



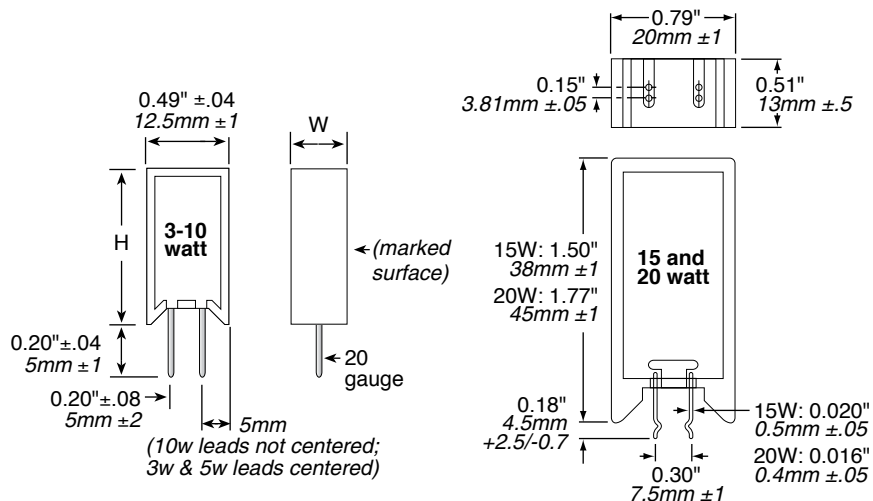
(continued)

TWM/TWW Series

Ceramic Housed Radial Terminal Power

DIMENSIONS

| 3-10 watt Series | Height (in./mm) ±1mm | Width (in./mm) ±1mm |
|------------------|----------------------|---------------------|
| TWW3 | 0.98 / 25 | 0.33 / 8.5 |
| TWW5 | 0.98 / 25 | 0.35 / 9 |
| TWM10 | 1.97 / 50 | 0.35 / 9 |
| TWM3 | 0.98 / 25 | 0.33 / 8.5 |
| TWM5 | 0.98 / 25 | 0.35 / 9 |
| TWM10 | 1.97 / 50 | 0.35 / 9 |



HOW TO ORDER



Standard part numbers for TWW series

| Ohmic value | Wattage | | | | | Ohmic value | Wattage | | | | | Ohmic value | Wattage | | | | | | | |
|-------------|------------------------|---|---|----|----|-------------|---------|------------------------|---|---|----|-------------|---------|-----|------------------------|---|---|----|----|----|
| | Part No. Prefix Suffix | 3 | 5 | 10 | 15 | | 20 | Part No. Prefix Suffix | 3 | 5 | 10 | | 15 | 20 | Part No. Prefix Suffix | 3 | 5 | 10 | 15 | 20 |
| 0.01 | R01E | ✓ | ✓ | | | | 2.0 | R0E | ✓ | ✓ | ✓ | | | 47 | R47E | ✓ | ✓ | ✓ | | |
| 0.02 | R02E | ✓ | ✓ | | | | 2.7 | R07E | ✓ | ✓ | ✓ | | | 51 | R51E | ✓ | ✓ | ✓ | | |
| 0.03 | R03E | ✓ | ✓ | | | | 3.0 | R0E | ✓ | ✓ | ✓ | | | 56 | R56E | ✓ | ✓ | ✓ | | |
| 0.04 | R04E | ✓ | ✓ | ✓ | | | 3.3 | R03E | ✓ | ✓ | ✓ | | | 68 | R68E | ✓ | ✓ | ✓ | | |
| 0.05 | R05E | ✓ | ✓ | ✓ | | | 3.9 | R09E | ✓ | ✓ | ✓ | | | 75 | R75E | ✓ | ✓ | ✓ | | |
| 0.10 | R10E | ✓ | ✓ | ✓ | ✓ | | 4.3 | R03E | ✓ | ✓ | ✓ | | | 82 | R82E | ✓ | ✓ | ✓ | | |
| 0.15 | R15E | ✓ | ✓ | ✓ | ✓ | | 4.7 | R07E | ✓ | ✓ | ✓ | | | 100 | R100E | ✓ | ✓ | ✓ | | |
| 0.20 | R20E | ✓ | ✓ | ✓ | ✓ | | 5.6 | R06E | ✓ | ✓ | ✓ | | | 150 | R150E | ✓ | ✓ | ✓ | | |
| 0.27 | R27E | ✓ | ✓ | ✓ | ✓ | | 6.8 | R08E | ✓ | ✓ | ✓ | | | 200 | R200E | ✓ | ✓ | ✓ | | |
| 0.30 | R30E | ✓ | ✓ | ✓ | ✓ | | 7.5 | R05E | ✓ | ✓ | ✓ | | | 270 | R270E | ✓ | ✓ | ✓ | | |
| 0.33 | R33E | ✓ | ✓ | ✓ | ✓ | | 8.2 | R02E | ✓ | ✓ | ✓ | | | 300 | R300E | ✓ | ✓ | ✓ | | |
| 0.39 | R39E | ✓ | ✓ | ✓ | ✓ | | 10 | R10E | ✓ | ✓ | ✓ | | | 330 | R330E | ✓ | ✓ | ✓ | | |
| 0.43 | R43E | ✓ | ✓ | ✓ | ✓ | | 15 | R15E | ✓ | ✓ | ✓ | | | 390 | R390E | ✓ | ✓ | ✓ | | |
| 0.47 | R47E | ✓ | ✓ | ✓ | ✓ | | 20 | R20E | ✓ | ✓ | ✓ | | | 430 | R430E | ✓ | ✓ | ✓ | | |
| 0.56 | R56E | ✓ | ✓ | ✓ | ✓ | | 22 | R22E | ✓ | ✓ | ✓ | | | 470 | R470E | ✓ | ✓ | ✓ | | |
| 0.68 | R68E | ✓ | ✓ | ✓ | ✓ | | 27 | R27E | ✓ | ✓ | ✓ | ✓ | | 500 | R500E | ✓ | ✓ | ✓ | | |
| 0.75 | R75E | ✓ | ✓ | ✓ | ✓ | | 30 | R30E | ✓ | ✓ | ✓ | | | 560 | R560E | ✓ | ✓ | ✓ | | |
| 0.82 | R82E | ✓ | ✓ | ✓ | ✓ | | 33 | R33E | ✓ | ✓ | ✓ | | | 680 | R680E | ✓ | ✓ | ✓ | | |
| 1.0 | R10E | ✓ | ✓ | ✓ | ✓ | | 39 | R39E | ✓ | ✓ | ✓ | | | 750 | R750E | ✓ | ✓ | ✓ | | |
| 1.5 | R15E | ✓ | ✓ | ✓ | ✓ | | 43 | R43E | ✓ | ✓ | ✓ | | | 820 | R820E | ✓ | ✓ | ✓ | | |

Standard part numbers for TWM series

| Ohmic value | Wattage | | Ohmic value | Wattage | | | | | |
|-------------|------------------------|---|-------------|---------|------------------------|---|---|----|----|
| | Part No. Prefix Suffix | 3 | | 5 | Part No. Prefix Suffix | 3 | 5 | 10 | 15 |
| 43 | R43E | ✓ | 1000 | R1K0 | ✓ | ✓ | ✓ | ✓ | ✓ |
| 47 | R47E | ✓ | 1500 | R1K5 | ✓ | ✓ | ✓ | ✓ | ✓ |
| 56 | R56E | ✓ | 2000 | R2K0 | ✓ | ✓ | ✓ | ✓ | ✓ |
| 68 | R68E | ✓ | 2700 | R2K7 | ✓ | ✓ | ✓ | ✓ | ✓ |
| 75 | R75E | ✓ | 3000 | R3K0 | ✓ | ✓ | ✓ | ✓ | ✓ |
| 82 | R82E | ✓ | 3300 | R3K3 | ✓ | ✓ | ✓ | ✓ | ✓ |
| 100 | R100E | ✓ | 3900 | R3K9 | ✓ | ✓ | ✓ | ✓ | ✓ |
| 150 | R150E | ✓ | 4300 | R4K3 | ✓ | ✓ | ✓ | ✓ | ✓ |
| 200 | R200E | ✓ | 4700 | R4K7 | ✓ | ✓ | ✓ | ✓ | ✓ |
| 270 | R270E | ✓ | 5600 | R5K6 | ✓ | ✓ | ✓ | ✓ | ✓ |
| 300 | R300E | ✓ | 5100 | R5K1 | ✓ | ✓ | ✓ | ✓ | ✓ |
| 330 | R330E | ✓ | 6800 | R6K8 | ✓ | ✓ | ✓ | ✓ | ✓ |
| 390 | R390E | ✓ | 7500 | R7K5 | ✓ | ✓ | ✓ | ✓ | ✓ |
| 430 | R430E | ✓ | 8200 | R8K2 | ✓ | ✓ | ✓ | ✓ | ✓ |
| 470 | R470E | ✓ | 10000 | R10K | ✓ | ✓ | ✓ | ✓ | ✓ |
| 560 | R560E | ✓ | 27000 | R27K | ✓ | ✓ | ✓ | ✓ | ✓ |
| 680 | R680E | ✓ | 47000 | R47K | ✓ | ✓ | ✓ | ✓ | ✓ |
| 750 | R750E | ✓ | 51000 | R51K | ✓ | ✓ | ✓ | ✓ | ✓ |
| 820 | R820E | ✓ | 75000 | R75K | ✓ | ✓ | ✓ | ✓ | ✓ |



Компания «ЭлектроПласт» предлагает заключение долгосрочных отношений при поставках импортных электронных компонентов на взаимовыгодных условиях!

Наши преимущества:

- Оперативные поставки широкого спектра электронных компонентов отечественного и импортного производства напрямую от производителей и с крупнейших мировых складов;
- Поставка более 17-ти миллионов наименований электронных компонентов;
- Поставка сложных, дефицитных, либо снятых с производства позиций;
- Оперативные сроки поставки под заказ (от 5 рабочих дней);
- Экспресс доставка в любую точку России;
- Техническая поддержка проекта, помощь в подборе аналогов, поставка прототипов;
- Система менеджмента качества сертифицирована по Международному стандарту ISO 9001;
- Лицензия ФСБ на осуществление работ с использованием сведений, составляющих государственную тайну;
- Поставка специализированных компонентов (Xilinx, Altera, Analog Devices, Intersil, Interpoint, Microsemi, Aeroflex, Peregrine, Syfer, Eurofarad, Texas Instrument, Miteq, Cobham, E2V, MA-COM, Hittite, Mini-Circuits, General Dynamics и др.);

Помимо этого, одним из направлений компании «ЭлектроПласт» является направление «Источники питания». Мы предлагаем Вам помощь Конструкторского отдела:

- Подбор оптимального решения, техническое обоснование при выборе компонента;
- Подбор аналогов;
- Консультации по применению компонента;
- Поставка образцов и прототипов;
- Техническая поддержка проекта;
- Защита от снятия компонента с производства.



Как с нами связаться

Телефон: 8 (812) 309 58 32 (многоканальный)

Факс: 8 (812) 320-02-42

Электронная почта: org@eplast1.ru

Адрес: 198099, г. Санкт-Петербург, ул. Калинина, дом 2, корпус 4, литера А.