



# PIC18F6520/8520/6620/ 8620/6720/8720

## 64/80-Pin High-Performance, 256 Kbit to 1 Mbit Enhanced Flash Microcontrollers with A/D

### High-Performance RISC CPU:

- C compiler optimized architecture/instruction set:
  - Source code compatible with the PIC16 and PIC17 instruction sets
- Linear program memory addressing to 128 Kbytes
- Linear data memory addressing to 3840 bytes
- 1 Kbyte of data EEPROM
- Up to 10 MIPS operation:
  - DC – 40 MHz osc./clock input
  - 4 MHz – 10 MHz osc./clock input with PLL active
- 16-bit wide instructions, 8-bit wide data path
- Priority levels for interrupts
- 31-level, software accessible hardware stack
- 8 x 8 Single Cycle Hardware Multiplier

### External Memory Interface (PIC18F8X20 Devices Only):

- Address capability of up to 2 Mbytes
- 16-bit interface

### Peripheral Features:

- High current sink/source 25 mA/25 mA
- Four external interrupt pins
- Timer0 module: 8-bit/16-bit timer/counter
- Timer1 module: 16-bit timer/counter
- Timer2 module: 8-bit timer/counter
- Timer3 module: 16-bit timer/counter
- Timer4 module: 8-bit timer/counter
- Secondary oscillator clock option – Timer1/Timer3
- Five Capture/Compare/PWM (CCP) modules:
  - Capture is 16-bit, max. resolution 6.25 ns (T<sub>cy</sub>/16)
  - Compare is 16-bit, max. resolution 100 ns (T<sub>cy</sub>)
  - PWM output: PWM resolution is 1 to 10-bit
- Master Synchronous Serial Port (MSSP) module with two modes of operation:
  - 3-wire SPI (supports all 4 SPI modes)
  - I<sup>2</sup>C™ Master and Slave mode
- Two Addressable USART modules:
  - Supports RS-485 and RS-232
- Parallel Slave Port (PSP) module

### Analog Features:

- 10-bit, up to 16-channel Analog-to-Digital Converter (A/D):
  - Conversion available during Sleep
- Programmable 16-level Low-Voltage Detection (LVD) module:
  - Supports interrupt on Low-Voltage Detection
- Programmable Brown-out Reset (PBOR)
- Dual analog comparators:
  - Programmable input/output configuration

### Special Microcontroller Features:

- 100,000 erase/write cycle Enhanced Flash program memory typical
- 1,000,000 erase/write cycle Data EEPROM memory typical
- 1 second programming time
- Flash/Data EEPROM Retention: > 40 years
- Self-reprogrammable under software control
- Power-on Reset (POR), Power-up Timer (PWRT) and Oscillator Start-up Timer (OST)
- Watchdog Timer (WDT) with its own On-Chip RC Oscillator for reliable operation
- Programmable code protection
- Power saving Sleep mode
- Selectable oscillator options including:
  - 4X Phase Lock Loop (of primary oscillator)
  - Secondary Oscillator (32 kHz) clock input
- In-Circuit Serial Programming™ (ICSP™) via two pins
- MPLAB® In-Circuit Debug (ICD) via two pins

### CMOS Technology:

- Low-power, high-speed Flash technology
- Fully static design
- Wide operating voltage range (2.0V to 5.5V)
- Industrial and Extended temperature ranges

| Device     | Program Memory |                            | Data Memory  |                | I/O | 10-bit A/D (ch) | CCP (PWM) | MSSP |                         | USART | Timers 8-bit/16-bit | Ext Bus | Max Fosc (MHz) |
|------------|----------------|----------------------------|--------------|----------------|-----|-----------------|-----------|------|-------------------------|-------|---------------------|---------|----------------|
|            | Bytes          | # Single-Word Instructions | SRAM (bytes) | EEPROM (bytes) |     |                 |           | SPI  | Master I <sup>2</sup> C |       |                     |         |                |
| PIC18F6520 | 32K            | 16384                      | 2048         | 1024           | 52  | 12              | 5         | Y    | Y                       | 2     | 2/3                 | N       | 40             |
| PIC18F6620 | 64K            | 32768                      | 3840         | 1024           | 52  | 12              | 5         | Y    | Y                       | 2     | 2/3                 | N       | 25             |
| PIC18F6720 | 128K           | 65536                      | 3840         | 1024           | 52  | 12              | 5         | Y    | Y                       | 2     | 2/3                 | N       | 25             |
| PIC18F8520 | 32K            | 16384                      | 2048         | 1024           | 68  | 16              | 5         | Y    | Y                       | 2     | 2/3                 | Y       | 40             |
| PIC18F8620 | 64K            | 32768                      | 3840         | 1024           | 68  | 16              | 5         | Y    | Y                       | 2     | 2/3                 | Y       | 25             |
| PIC18F8720 | 128K           | 65536                      | 3840         | 1024           | 68  | 16              | 5         | Y    | Y                       | 2     | 2/3                 | Y       | 25             |

# PIC18F6520/8520/6620/8620/6720/8720

## Pin Diagrams



# PIC18F6520/8520/6620/8620/6720/8720

## Pin Diagrams (Continued)

### 80-Pin TQFP



- Note 1:** CCP2 is multiplexed with RC1 when CCP2MX is set.  
**Note 2:** CCP2 is multiplexed by default with RE7 when the device is configured in Microcontroller mode.  
**Note 3:** PSP is available only in Microcontroller mode.

# PIC18F6520/8520/6620/8620/6720/8720

---

## Table of Contents

|      |  |     |
|------|--|-----|
| 1.0  | Device Overview .....  | 7   |
| 2.0  | Oscillator Configurations .....  | 21  |
| 3.0  | Reset .....  | 29  |
| 4.0  | Memory Organization .....  | 39  |
| 5.0  | Flash Program Memory .....   | 61  |
| 6.0  | External Memory Interface .....  | 71  |
| 7.0  | Data EEPROM Memory .....   | 79  |
| 8.0  | 8 X 8 Hardware Multiplier .....  | 85  |
| 9.0  | Interrupts .....   | 87  |
| 10.0 | I/O Ports .....  | 103 |
| 11.0 | Timer0 Module .....  | 131 |
| 12.0 | Timer1 Module .....  | 135 |
| 13.0 | Timer2 Module .....  | 141 |
| 14.0 | Timer3 Module .....  | 143 |
| 15.0 | Timer4 Module .....  | 147 |
| 16.0 | Capture/Compare/PWM (CCP) Modules .....  | 149 |
| 17.0 | Master Synchronous Serial Port (MSSP) Module .....                               | 157 |
| 18.0 | Addressable Universal Synchronous Asynchronous Receiver Transmitter (USART)..... | 197 |
| 19.0 | 10-Bit Analog-to-Digital Converter (A/D) Module .....                            | 213 |
| 20.0 | Comparator Module.....   | 223 |
| 21.0 | Comparator Voltage Reference Module .....  | 229 |
| 22.0 | Low-Voltage Detect .....   | 233 |
| 23.0 | Special Features of the CPU .....  | 239 |
| 24.0 | Instruction Set Summary .....  | 259 |
| 25.0 | Development Support.....   | 301 |
| 26.0 | Electrical Characteristics .....   | 305 |
| 27.0 | DC and AC Characteristics Graphs and Tables .....                                | 341 |
| 28.0 | Packaging Information.....   | 355 |
|      | Appendix A: Revision History.....  | 361 |
|      | Appendix B: Device Differences.....  | 361 |
|      | Appendix C: Conversion Considerations .....                                      | 362 |
|      | Appendix D: Migration from Mid-range to Enhanced Devices .....                   | 362 |
|      | Appendix E: Migration from High-end to Enhanced Devices .....                    | 363 |
|      | The Microchip Web Site.....  | 375 |
|      | Customer Change Notification Service .....                                       | 375 |
|      | Customer Support .....   | 375 |
|      | Reader Response .....  | 376 |
|      | PIC18F6520/8520/6620/8620/6720/8720 Product Identification System .....          | 377 |

## TO OUR VALUED CUSTOMERS

It is our intention to provide our valued customers with the best documentation possible to ensure successful use of your Microchip products. To this end, we will continue to improve our publications to better suit your needs. Our publications will be refined and enhanced as new volumes and updates are introduced.

If you have any questions or comments regarding this publication, please contact the Marketing Communications Department via E-mail at [docerrors@microchip.com](mailto:docerrors@microchip.com) or fax the **Reader Response Form** in the back of this data sheet to (480) 792-4150. We welcome your feedback.

### Most Current Data Sheet

To obtain the most up-to-date version of this data sheet, please register at our Worldwide Web site at:

<http://www.microchip.com>

You can determine the version of a data sheet by examining its literature number found on the bottom outside corner of any page. The last character of the literature number is the version number, (e.g., DS30000A is version A of document DS30000).

### Errata

An errata sheet, describing minor operational differences from the data sheet and recommended workarounds, may exist for current devices. As device/documentation issues become known to us, we will publish an errata sheet. The errata will specify the revision of silicon and revision of document to which it applies.

To determine if an errata sheet exists for a particular device, please check with one of the following:

- Microchip's Worldwide Web site; <http://www.microchip.com>
- Your local Microchip sales office (see last page)

When contacting a sales office, please specify which device, revision of silicon and data sheet (include literature number) you are using.

### Customer Notification System

Register on our web site at [www.microchip.com](http://www.microchip.com) to receive the most current information on all of our products.

# PIC18F6520/8520/6620/8620/6720/8720

---

NOTES:

# PIC18F6520/8520/6620/8620/6720/8720

## 1.0 DEVICE OVERVIEW

This document contains device specific information for the following devices:

- PIC18F6520
- PIC18F8520
- PIC18F6620
- PIC18F8620
- PIC18F6720
- PIC18F8720

This family offers the same advantages of all PIC18 microcontrollers – namely, high computational performance at an economical price – with the addition of high endurance Enhanced Flash program memory. The PIC18FXX20 family also provides an enhanced range of program memory options and versatile analog features that make it ideal for complex, high-performance applications.

## 1.1 Key Features

### 1.1.1 EXPANDED MEMORY

The PIC18FXX20 family introduces the widest range of on-chip, Enhanced Flash program memory available on PIC® microcontrollers – up to 128 Kbyte (or 65,536 words), the largest ever offered by Microchip. For users with more modest code requirements, the family also includes members with 32 Kbyte or 64 Kbyte.

Other memory features are:

- **Data RAM and Data EEPROM:** The PIC18FXX20 family also provides plenty of room for application data. Depending on the device, either 2048 or 3840 bytes of data RAM are available. All devices have 1024 bytes of data EEPROM for long-term retention of nonvolatile data.
- **Memory Endurance:** The Enhanced Flash cells for both program memory and data EEPROM are rated to last for many thousands of erase/write cycles – up to 100,000 for program memory and 1,000,000 for EEPROM. Data retention without refresh is conservatively estimated to be greater than 40 years.

### 1.1.2 EXTERNAL MEMORY INTERFACE

In the event that 128 Kbytes of program memory is inadequate for an application, the PIC18F8X20 members of the family also implement an External Memory Interface. This allows the controller's internal program counter to address a memory space of up to 2 Mbytes, permitting a level of data access that few 8-bit devices can claim.

With the addition of new operating modes, the External Memory Interface offers many new options, including:

- Operating the microcontroller entirely from external memory
- Using combinations of on-chip and external memory, up to the 2-Mbyte limit
- Using external Flash memory for reprogrammable application code, or large data tables
- Using external RAM devices for storing large amounts of variable data

### 1.1.3 EASY MIGRATION

Regardless of the memory size, all devices share the same rich set of peripherals, allowing for a smooth migration path as applications grow and evolve.

The consistent pinout scheme used throughout the entire family also aids in migrating to the next larger device. This is true when moving between the 64-pin members, between the 80-pin members, or even jumping from 64-pin to 80-pin devices.

### 1.1.4 OTHER SPECIAL FEATURES

- **Communications:** The PIC18FXX20 family incorporates a range of serial communications peripherals, including 2 independent USARTs and a Master SSP module, capable of both SPI and I<sup>2</sup>C (Master and Slave) modes of operation. For PIC18F8X20 devices, one of the general purpose I/O ports can be reconfigured as an 8-bit Parallel Slave Port for direct processor-to-processor communications.
- **CCP Modules:** All devices in the family incorporate five Capture/Compare/PWM modules to maximize flexibility in control applications. Up to four different time bases may be used to perform several different operations at once.
- **Analog Features:** All devices in the family feature 10-bit A/D converters, with up to 16 input channels, as well as the ability to perform conversions during Sleep mode. Also included are dual analog comparators with programmable input and output configuration, a programmable Low-Voltage Detect module and a programmable Brown-out Reset module.
- **Self-programmability:** These devices can write to their own program memory spaces under internal software control. By using a bootloader routine located in the protected Boot Block at the top of program memory, it becomes possible to create an application that can update itself in the field.

# PIC18F6520/8520/6620/8620/6720/8720

## 1.2 Details on Individual Family Members

The PIC18FXX20 devices are available in 64-pin and 80-pin packages. They are differentiated from each other in five ways:

- Flash program memory (32 Kbytes for PIC18FX520 devices, 64 Kbytes for PIC18FX620 devices and 128 Kbytes for PIC18FX720 devices)
- Data RAM (2048 bytes for PIC18FX520 devices, 3840 bytes for PIC18FX620 and PIC18FX720 devices)

- A/D channels (12 for PIC18F6X20 devices, 16 for PIC18F8X20)
- I/O pins (52 on PIC18F6X20 devices, 68 on PIC18F8X20)
- External program memory interface (present only on PIC18F8X20 devices)

All other features for devices in the PIC18FXX20 family are identical. These are summarized in Table 1-1.

Block diagrams of the PIC18F6X20 and PIC18F8X20 devices are provided in Figure 1-1 and Figure 1-2, respectively. The pinouts for these device families are listed in Table 1-2.

**TABLE 1-1: PIC18FXX20 DEVICE FEATURES**

| Features                        | PIC18F6520   | PIC18F6620   | PIC18F6720   | PIC18F8520   | PIC18F8620   | PIC18F8720   |
|---------------------------------|--|--|--|--|--|--|
| Operating Frequency             | DC – 40 MHz  | DC – 25 MHz  | DC – 25 MHz  | DC – 40 MHz  | DC – 25 MHz  | DC – 25 MHz  |
| Program Memory (Bytes)          | 32K  | 64K  | 128K   | 32K  | 64K  | 128K   |
| Program Memory (Instructions)   | 16384  | 32768  | 65536  | 16384  | 32768  | 65536  |
| Data Memory (Bytes)             | 2048   | 3840   | 3840   | 2048   | 3840   | 3840   |
| Data EEPROM Memory (Bytes)      | 1024   | 1024   | 1024   | 1024   | 1024   | 1024   |
| External Memory Interface       | No   | No   | No   | Yes  | Yes  | Yes  |
| Interrupt Sources               | 17   | 17   | 17   | 18   | 18   | 18   |
| I/O Ports                       | Ports A, B, C, D, E, F, G  | Ports A, B, C, D, E, F, G  | Ports A, B, C, D, E, F, G  | Ports A, B, C, D, E, F, G, H, J                                      | Ports A, B, C, D, E, F, G, H, J                                      | Ports A, B, C, D, E, F, G, H, J                                      |
| Timers                          | 5  | 5  | 5  | 5  | 5  | 5  |
| Capture/Compare/PWM Modules     | 5  | 5  | 5  | 5  | 5  | 5  |
| Serial Communications           | MSSP, Addressable USART (2)  | MSSP, Addressable USART (2)  | MSSP, Addressable USART (2)  | MSSP, Addressable USART (2)  | MSSP, Addressable USART (2)  | MSSP, Addressable USART (2)  |
| Parallel Communications         | PSP  | PSP  | PSP  | PSP  | PSP  | PSP  |
| 10-bit Analog-to-Digital Module | 12 input channels  | 12 input channels  | 12 input channels  | 16 input channels  | 16 input channels  | 16 input channels  |
| Resets (and Delays)             | POR, BOR, RESET Instruction, Stack Full, Stack Underflow (PWRT, OST) | POR, BOR, RESET Instruction, Stack Full, Stack Underflow (PWRT, OST) | POR, BOR, RESET Instruction, Stack Full, Stack Underflow (PWRT, OST) | POR, BOR, RESET Instruction, Stack Full, Stack Underflow (PWRT, OST) | POR, BOR, RESET Instruction, Stack Full, Stack Underflow (PWRT, OST) | POR, BOR, RESET Instruction, Stack Full, Stack Underflow (PWRT, OST) |
| Programmable Low-Voltage Detect | Yes  | Yes  | Yes  | Yes  | Yes  | Yes  |
| Programmable Brown-out Reset    | Yes  | Yes  | Yes  | Yes  | Yes  | Yes  |
| Instruction Set                 | 77 Instructions  | 77 Instructions  | 77 Instructions  | 77 Instructions  | 77 Instructions  | 77 Instructions  |
| Package                         | 64-pin TQFP  | 64-pin TQFP  | 64-pin TQFP  | 80-pin TQFP  | 80-pin TQFP  | 80-pin TQFP  |



# PIC18F6520/8520/6620/8620/6720/8720

FIGURE 1-1: PIC18F6X20 BLOCK DIAGRAM



# PIC18F6520/8520/6620/8620/6720/8720

FIGURE 1-2: PIC18F8X20 BLOCK DIAGRAM



# PIC18F6520/8520/6620/8620/6720/8720

**TABLE 1-2: PIC18FXX20 PINOUT I/O DESCRIPTIONS**

| Pin Name                             | Pin Number |            | Pin Type      | Buffer Type     | Description   |
|--------------------------------------|------------|------------|---------------|-----------------|---|
|                                      | PIC18F6X20 | PIC18F8X20 |               |                 |   |
| MCLR/VPP<br>MCLR<br>VPP              | 7          | 9          | I<br>P        | ST              | Master Clear (input) or programming voltage (output).<br>Master Clear (Reset) input. This pin is an active-low Reset to the device.<br>Programming voltage input.   |
| OSC1/CLKI<br>OSC1<br>CLKI            | 39         | 49         | I<br>I        | CMOS/ST<br>CMOS | Oscillator crystal or external clock input.<br>Oscillator crystal input or external clock source input. ST buffer when configured in RC mode; otherwise CMOS.<br>External clock source input. Always associated with pin function OSC1 (see OSC1/CLKI, OSC2/CLKO pins).         |
| OSC2/CLKO/RA6<br>OSC2<br>CLKO<br>RA6 | 40         | 50         | O<br>O<br>I/O | —<br>—<br>TTL   | Oscillator crystal or clock output.<br>Oscillator crystal output.<br>Connects to crystal or resonator in Crystal Oscillator mode.<br>In RC mode, OSC2 pin outputs CLKO, which has 1/4 the frequency of OSC1 and denotes the instruction cycle rate.<br>General purpose I/O pin. |

**Legend:** TTL = TTL compatible input      CMOS = CMOS compatible input or output  
 ST = Schmitt Trigger input with CMOS levels      Analog = Analog input  
 I = Input      O = Output  
 P = Power      OD = Open-Drain (no P diode to VDD)

- Note 1:** Alternate assignment for CCP2 when CCP2MX is not selected (all operating modes except Microcontroller).
- 2: Default assignment when CCP2MX is set.
  - 3: External memory interface functions are only available on PIC18F8X20 devices.
  - 4: CCP2 is multiplexed with this pin by default when configured in Microcontroller mode. Otherwise, it is multiplexed with either RB3 or RC1.
  - 5: PORTH and PORTJ are only available on PIC18F8X20 (80-pin) devices.
  - 6: AVDD must be connected to a positive supply and AVSS must be connected to a ground reference for proper operation of the part in user or ICSP modes. See parameter D001A for details.

# PIC18F6520/8520/6620/8620/6720/8720

TABLE 1-2: PIC18FXX20 PINOUT I/O DESCRIPTIONS (CONTINUED)

| Pin Name                                    | Pin Number |            | Pin Type      | Buffer Type             | Description  |
|---|------------|------------|---------------|-------------------------|--|
|   | PIC18F6X20 | PIC18F8X20 |               |                         |  |
| RA0/AN0<br>RA0<br>AN0                       | 24         | 30         | I/O<br>I      | TTL<br>Analog           | PORTA is a bidirectional I/O port.<br><br>Digital I/O.<br>Analog input 0.                  |
| RA1/AN1<br>RA1<br>AN1                       | 23         | 29         | I/O<br>I      | TTL<br>Analog           | Digital I/O.<br>Analog input 1.  |
| RA2/AN2/VREF-<br>RA2<br>AN2<br>VREF-        | 22         | 28         | I/O<br>I<br>I | TTL<br>Analog<br>Analog | Digital I/O.<br>Analog input 2.<br>A/D reference voltage (Low) input.                      |
| RA3/AN3/VREF+<br>RA3<br>AN3<br>VREF+        | 21         | 27         | I/O<br>I<br>I | TTL<br>Analog<br>Analog | Digital I/O.<br>Analog input 3.<br>A/D reference voltage (High) input.                     |
| RA4/T0CKI<br>RA4<br><br>T0CKI               | 28         | 34         | I/O<br><br>I  | ST/OD<br><br>ST         | Digital I/O – Open-drain when configured as output.<br>Timer0 external clock input.        |
| RA5/AN4/LVDIN<br>RA5<br>AN4<br>LVDIN<br>RA6 | 27         | 33         | I/O<br>I<br>I | TTL<br>Analog<br>Analog | Digital I/O.<br>Analog input 4.<br>Low-Voltage Detect input.<br>See the OSC2/CLKO/RA6 pin. |

**Legend:** TTL = TTL compatible input    CMOS = CMOS compatible input or output  
 ST = Schmitt Trigger input with CMOS levels                                        Analog = Analog input  
 I = Input    O = Output  
 P = Power    OD = Open-Drain (no P diode to VDD)

- Note 1:** Alternate assignment for CCP2 when CCP2MX is not selected (all operating modes except Microcontroller).
- 2:** Default assignment when CCP2MX is set.
- 3:** External memory interface functions are only available on PIC18F8X20 devices.
- 4:** CCP2 is multiplexed with this pin by default when configured in Microcontroller mode. Otherwise, it is multiplexed with either RB3 or RC1.
- 5:** PORTH and PORTJ are only available on PIC18F8X20 (80-pin) devices.
- 6:** AVDD must be connected to a positive supply and AVSS must be connected to a ground reference for proper operation of the part in user or ICSP modes. See parameter D001A for details.

# PIC18F6520/8520/6620/8620/6720/8720

**TABLE 1-2: PIC18FXX20 PINOUT I/O DESCRIPTIONS (CONTINUED)**

| Pin Name  | Pin Number |            | Pin Type          | Buffer Type     | Description  |
|---|------------|------------|-------------------|-----------------|--|
|   | PIC18F6X20 | PIC18F8X20 |                   |                 |  |
| RB0/INT0<br>RB0<br>INT0                             | 48         | 58         | I/O<br>I          | TTL<br>ST       | PORTB is a bidirectional I/O port. PORTB can be software programmed for internal weak pull-ups on all inputs.<br><br>Digital I/O.<br>External interrupt 0. |
| RB1/INT1<br>RB1<br>INT1                             | 47         | 57         | I/O<br>I          | TTL<br>ST       | Digital I/O.<br>External interrupt 1.  |
| RB2/INT2<br>RB2<br>INT2                             | 46         | 56         | I/O<br>I          | TTL<br>ST       | Digital I/O.<br>External interrupt 2.  |
| RB3/INT3/CCP2<br>RB3<br>INT3<br>CCP2 <sup>(1)</sup> | 45         | 55         | I/O<br>I/O<br>I/O | TTL<br>ST<br>ST | Digital I/O.<br>External interrupt 3.<br>Capture2 input, Compare2 output, PWM2 output.   |
| RB4/KBI0<br>RB4<br>KBI0                             | 44         | 54         | I/O<br>I          | TTL<br>ST       | Digital I/O.<br>Interrupt-on-change pin.   |
| RB5/KBI1/PGM<br>RB5<br>KBI1<br>PGM                  | 43         | 53         | I/O<br>I<br>I/O   | TTL<br>ST<br>ST | Digital I/O.<br>Interrupt-on-change pin.<br>Low-Voltage ICSP Programming enable pin.   |
| RB6/KBI2/PGC<br>RB6<br>KBI2<br>PGC                  | 42         | 52         | I/O<br>I<br>I/O   | TTL<br>ST<br>ST | Digital I/O.<br>Interrupt-on-change pin.<br>In-Circuit Debugger and ICSP programming clock.  |
| RB7/KBI3/PGD<br>RB7<br>KBI3<br>PGD                  | 37         | 47         | I/O<br>I/O        | TTL<br>ST       | Digital I/O.<br>Interrupt-on-change pin.<br>In-Circuit Debugger and ICSP programming data.   |

**Legend:** TTL = TTL compatible input      CMOS = CMOS compatible input or output  
 ST = Schmitt Trigger input with CMOS levels      Analog = Analog input  
 I = Input      O = Output  
 P = Power      OD = Open-Drain (no P diode to VDD)

- Note 1:** Alternate assignment for CCP2 when CCP2MX is not selected (all operating modes except Microcontroller).
- 2:** Default assignment when CCP2MX is set.
- 3:** External memory interface functions are only available on PIC18F8X20 devices.
- 4:** CCP2 is multiplexed with this pin by default when configured in Microcontroller mode. Otherwise, it is multiplexed with either RB3 or RC1.
- 5:** PORTH and PORTJ are only available on PIC18F8X20 (80-pin) devices.
- 6:** AVDD must be connected to a positive supply and AVSS must be connected to a ground reference for proper operation of the part in user or ICSP modes. See parameter D001A for details.

# PIC18F6520/8520/6620/8620/6720/8720

**TABLE 1-2: PIC18FXX20 PINOUT I/O DESCRIPTIONS (CONTINUED)**

| Pin Name  | Pin Number |            | Pin Type              | Buffer Type        | Description   |
|---|------------|------------|-----------------------|--------------------|---|
|   | PIC18F6X20 | PIC18F8X20 |                       |                    |   |
| RC0/T1OSO/T13CKI<br>RC0<br>T1OSO<br>T13CKI            | 30         | 36         | I/O<br>O<br>I         | ST<br>—<br>ST      | PORTC is a bidirectional I/O port.<br><br>Digital I/O.<br>Timer1 oscillator output.<br>Timer1/Timer3 external clock input.                    |
| RC1/T1OSI/CCP2<br>RC1<br>T1OSI<br>CCP2 <sup>(2)</sup> | 29         | 35         | I/O<br>I<br>I/O       | ST<br>CMOS<br>ST   | Digital I/O.<br>Timer1 oscillator input.<br>Capture2 input/Compare2 output/<br>PWM2 output.   |
| RC2/CCP1<br>RC2<br>CCP1                               | 33         | 43         | I/O<br>I/O            | ST<br>ST           | Digital I/O.<br>Capture1 input/Compare1 output/<br>PWM1 output.   |
| RC3/SCK/SCL<br>RC3<br>SCK<br><br>SCL                  | 34         | 44         | I/O<br>I/O<br><br>I/O | ST<br>ST<br><br>ST | Digital I/O.<br>Synchronous serial clock input/output<br>for SPI mode.<br>Synchronous serial clock input/output<br>for I <sup>2</sup> C mode. |
| RC4/SDI/SDA<br>RC4<br>SDI<br>SDA                      | 35         | 45         | I/O<br>I<br>I/O       | ST<br>ST<br>ST     | Digital I/O.<br>SPI data in.<br>I <sup>2</sup> C data I/O.  |
| RC5/SDO<br>RC5<br>SDO                                 | 36         | 46         | I/O<br>O              | ST<br>—            | Digital I/O.<br>SPI data out.   |
| RC6/TX1/CK1<br>RC6<br>TX1<br>CK1                      | 31         | 37         | I/O<br>O<br>I/O       | ST<br>—<br>ST      | Digital I/O.<br>USART 1 asynchronous transmit.<br>USART 1 synchronous clock<br>(see RX1/DT1).   |
| RC7/RX1/DT1<br>RC7<br>RX1<br>DT1                      | 32         | 38         | I/O<br>I<br>I/O       | ST<br>ST<br>ST     | Digital I/O.<br>USART 1 asynchronous receive.<br>USART 1 synchronous data<br>(see TX1/CK1).   |

**Legend:** TTL = TTL compatible input  
 ST = Schmitt Trigger input with CMOS levels  
 I = Input  
 P = Power  
 CMOS = CMOS compatible input or output  
 Analog = Analog input  
 O = Output  
 OD = Open-Drain (no P diode to VDD)

- Note 1:** Alternate assignment for CCP2 when CCP2MX is not selected (all operating modes except Microcontroller).
- 2:** Default assignment when CCP2MX is set.
- 3:** External memory interface functions are only available on PIC18F8X20 devices.
- 4:** CCP2 is multiplexed with this pin by default when configured in Microcontroller mode. Otherwise, it is multiplexed with either RB3 or RC1.
- 5:** PORTH and PORTJ are only available on PIC18F8X20 (80-pin) devices.
- 6:** AVDD must be connected to a positive supply and AVSS must be connected to a ground reference for proper operation of the part in user or ICSP modes. See parameter D001A for details.

# PIC18F6520/8520/6620/8620/6720/8720

**TABLE 1-2: PIC18FXX20 PINOUT I/O DESCRIPTIONS (CONTINUED)**

| Pin Name  | Pin Number |            | Pin Type          | Buffer Type      | Description   |
|---|------------|------------|-------------------|------------------|---|
|   | PIC18F6X20 | PIC18F8X20 |                   |                  |   |
| RD0/PSP0/AD0<br>RD0<br>PSP0<br>AD0 <sup>(3)</sup> | 58         | 72         | I/O<br>I/O<br>I/O | ST<br>TTL<br>TTL | PORTD is a bidirectional I/O port. These pins have TTL input buffers when external memory is enabled.<br><br>Digital I/O.<br>Parallel Slave Port data.<br>External memory address/data 0. |
| RD1/PSP1/AD1<br>RD1<br>PSP1<br>AD1 <sup>(3)</sup> | 55         | 69         | I/O<br>I/O<br>I/O | ST<br>TTL<br>TTL | Digital I/O.<br>Parallel Slave Port data.<br>External memory address/data 1.  |
| RD2/PSP2/AD2<br>RD2<br>PSP2<br>AD2 <sup>(3)</sup> | 54         | 68         | I/O<br>I/O<br>I/O | ST<br>TTL<br>TTL | Digital I/O.<br>Parallel Slave Port data.<br>External memory address/data 2.  |
| RD3/PSP3/AD3<br>RD3<br>PSP3<br>AD3 <sup>(3)</sup> | 53         | 67         | I/O<br>I/O<br>I/O | ST<br>TTL<br>TTL | Digital I/O.<br>Parallel Slave Port data.<br>External memory address/data 3.  |
| RD4/PSP4/AD4<br>RD4<br>PSP4<br>AD4 <sup>(3)</sup> | 52         | 66         | I/O<br>I/O<br>I/O | ST<br>TTL<br>TTL | Digital I/O.<br>Parallel Slave Port data.<br>External memory address/data 4.  |
| RD5/PSP5/AD5<br>RD5<br>PSP5<br>AD5 <sup>(3)</sup> | 51         | 65         | I/O<br>I/O<br>I/O | ST<br>TTL<br>TTL | Digital I/O.<br>Parallel Slave Port data.<br>External memory address/data 5.  |
| RD6/PSP6/AD6<br>RD6<br>PSP6<br>AD6 <sup>(3)</sup> | 50         | 64         | I/O<br>I/O<br>I/O | ST<br>TTL<br>TTL | Digital I/O.<br>Parallel Slave Port data.<br>External memory address/data 6.  |
| RD7/PSP7/AD7<br>RD7<br>PSP7<br>AD7 <sup>(3)</sup> | 49         | 63         | I/O<br>I/O<br>I/O | ST<br>TTL<br>TTL | Digital I/O.<br>Parallel Slave Port data.<br>External memory address/data 7.  |

**Legend:** TTL = TTL compatible input      CMOS = CMOS compatible input or output  
ST = Schmitt Trigger input with CMOS levels      Analog = Analog input  
I = Input      O = Output  
P = Power      OD = Open-Drain (no P diode to VDD)

- Note 1:** Alternate assignment for CCP2 when CCP2MX is not selected (all operating modes except Microcontroller).
- 2:** Default assignment when CCP2MX is set.
- 3:** External memory interface functions are only available on PIC18F8X20 devices.
- 4:** CCP2 is multiplexed with this pin by default when configured in Microcontroller mode. Otherwise, it is multiplexed with either RB3 or RC1.
- 5:** PORTH and PORTJ are only available on PIC18F8X20 (80-pin) devices.
- 6:** AVDD must be connected to a positive supply and AVSS must be connected to a ground reference for proper operation of the part in user or ICSP modes. See parameter D001A for details.

# PIC18F6520/8520/6620/8620/6720/8720

TABLE 1-2: PIC18FXX20 PINOUT I/O DESCRIPTIONS (CONTINUED)

| Pin Name  | Pin Number |            | Pin Type              | Buffer Type          | Description   |
|---|------------|------------|-----------------------|----------------------|---|
|   | PIC18F6X20 | PIC18F8X20 |                       |                      |   |
| RE0/ $\overline{\text{RD}}$ /AD8<br>RE0<br>RD<br><br>AD8 <sup>(3)</sup>   | 2          | 4          | I/O<br>I<br><br>I/O   | ST<br>TTL<br><br>TTL | PORTE is a bidirectional I/O port.<br><br>Digital I/O.<br>Read control for Parallel Slave Port (see $\overline{\text{WR}}$ and $\overline{\text{CS}}$ pins).<br>External memory address/data 8. |
| RE1/ $\overline{\text{WR}}$ /AD9<br>RE1<br>WR<br><br>AD9 <sup>(3)</sup>   | 1          | 3          | I/O<br>I<br><br>I/O   | ST<br>TTL<br><br>TTL | Digital I/O.<br>Write control for Parallel Slave Port (see $\overline{\text{CS}}$ and $\overline{\text{RD}}$ pins).<br>External memory address/data 9.  |
| RE2/ $\overline{\text{CS}}$ /AD10<br>RE2<br>CS<br><br>AD10 <sup>(3)</sup> | 64         | 78         | I/O<br>I<br><br>I/O   | ST<br>TTL<br><br>TTL | Digital I/O.<br>Chip select control for Parallel Slave Port (see $\overline{\text{RD}}$ and $\overline{\text{WR}}$ ).<br>External memory address/data 10.                                       |
| RE3/AD11<br>RE3<br>AD11 <sup>(3)</sup>                                    | 63         | 77         | I/O<br>I/O            | ST<br>TTL            | Digital I/O.<br>External memory address/data 11.  |
| RE4/AD12<br>RE4<br>AD12   | 62         | 76         | I/O<br>I/O            | ST<br>TTL            | Digital I/O.<br>External memory address/data 12.  |
| RE5/AD13<br>RE5<br>AD13 <sup>(3)</sup>                                    | 61         | 75         | I/O<br>I/O            | ST<br>TTL            | Digital I/O.<br>External memory address/data 13.  |
| RE6/AD14<br>RE6<br>AD14 <sup>(3)</sup>                                    | 60         | 74         | I/O<br>I/O            | ST<br>TTL            | Digital I/O.<br>External memory address/data 14.  |
| RE7/CCP2/AD15<br>RE7<br>CCP2 <sup>(1,4)</sup><br><br>AD15 <sup>(3)</sup>  | 59         | 73         | I/O<br>I/O<br><br>I/O | ST<br>ST<br><br>TTL  | Digital I/O.<br>Capture2 input/Compare2 output/<br>PWM2 output.<br>External memory address/data 15.   |

**Legend:** TTL = TTL compatible input      CMOS = CMOS compatible input or output  
ST = Schmitt Trigger input with CMOS levels      Analog = Analog input  
I = Input      O = Output  
P = Power      OD = Open-Drain (no P diode to VDD)

- Note 1:** Alternate assignment for CCP2 when CCP2MX is not selected (all operating modes except Microcontroller).
- 2:** Default assignment when CCP2MX is set.
- 3:** External memory interface functions are only available on PIC18F8X20 devices.
- 4:** CCP2 is multiplexed with this pin by default when configured in Microcontroller mode. Otherwise, it is multiplexed with either RB3 or RC1.
- 5:** PORTH and PORTJ are only available on PIC18F8X20 (80-pin) devices.
- 6:** AVDD must be connected to a positive supply and AVSS must be connected to a ground reference for proper operation of the part in user or ICSP modes. See parameter D001A for details.



# PIC18F6520/8520/6620/8620/6720/8720

**TABLE 1-2: PIC18FXX20 PINOUT I/O DESCRIPTIONS (CONTINUED)**

| Pin Name       | Pin Number |            | Pin Type | Buffer Type | Description   |
|----------------|------------|------------|----------|-------------|---|
|                | PIC18F6X20 | PIC18F8X20 |          |             |   |
| RF0/AN5        | 18         | 24         | I/O      | ST          | PORTF is a bidirectional I/O port.<br><br>Digital I/O.<br>Analog input 5. |
| RF0<br>AN5     |            |            | I        | Analog      |   |
| RF1/AN6/C2OUT  | 17         | 23         | I/O      | ST          | Digital I/O.<br>Analog input 6.<br>Comparator 2 output.                   |
| RF1<br>AN6     |            |            | I        | Analog      |   |
| C2OUT          |            |            | O        | ST          |   |
| RF2/AN7/C1OUT  | 16         | 18         | I/O      | ST          | Digital I/O.<br>Analog input 7.<br>Comparator 1 output.                   |
| RF2<br>AN7     |            |            | I        | Analog      |   |
| C1OUT          |            |            | O        | ST          |   |
| RF3/AN8        | 15         | 17         | I/O      | ST          | Digital I/O.<br>Analog input 8.   |
| RF1<br>AN8     |            |            | I        | Analog      |   |
| RF4/AN9        | 14         | 16         | I/O      | ST          | Digital I/O.<br>Analog input 9.   |
| RF1<br>AN9     |            |            | I        | Analog      |   |
| RF5/AN10/CVREF | 13         | 15         | I/O      | ST          | Digital I/O.<br>Analog input 10.<br>Comparator VREF output.               |
| RF1<br>AN10    |            |            | I        | Analog      |   |
| CVREF          |            |            | O        | Analog      |   |
| RF6/AN11       | 12         | 14         | I/O      | ST          | Digital I/O.<br>Analog input 11.  |
| RF6<br>AN11    |            |            | I        | Analog      |   |
| RF7/SS         | 11         | 13         | I/O      | ST          | Digital I/O.<br>SPI slave select input.                                   |
| RF7            |            |            | I        | TTL         |   |
| SS             |            |            | I        | TTL         |   |

**Legend:** TTL = TTL compatible input  
 ST = Schmitt Trigger input with CMOS levels  
 I = Input  
 P = Power  
 CMOS = CMOS compatible input or output  
 Analog = Analog input  
 O = Output  
 OD = Open-Drain (no P diode to VDD)

- Note 1:** Alternate assignment for CCP2 when CCP2MX is not selected (all operating modes except Microcontroller).
- 2:** Default assignment when CCP2MX is set.
- 3:** External memory interface functions are only available on PIC18F8X20 devices.
- 4:** CCP2 is multiplexed with this pin by default when configured in Microcontroller mode. Otherwise, it is multiplexed with either RB3 or RC1.
- 5:** PORTH and PORTJ are only available on PIC18F8X20 (80-pin) devices.
- 6:** AVDD must be connected to a positive supply and AVSS must be connected to a ground reference for proper operation of the part in user or ICSP modes. See parameter D001A for details.

# PIC18F6520/8520/6620/8620/6720/8720

TABLE 1-2: PIC18FXX20 PINOUT I/O DESCRIPTIONS (CONTINUED)

| Pin Name                         | Pin Number |            | Pin Type        | Buffer Type    | Description   |
|----------------------------------|------------|------------|-----------------|----------------|---|
|                                  | PIC18F6X20 | PIC18F8X20 |                 |                |   |
| RG0/CCP3<br>RG0<br>CCP3          | 3          | 5          | I/O<br>I/O      | ST<br>ST       | PORTG is a bidirectional I/O port.<br><br>Digital I/O.<br>Capture3 input/Compare3 output/<br>PWM3 output. |
| RG1/TX2/CK2<br>RG1<br>TX2<br>CK2 | 4          | 6          | I/O<br>O<br>I/O | ST<br>—<br>ST  | Digital I/O.<br>USART 2 asynchronous transmit.<br>USART 2 synchronous clock<br>(see RX2/DT2).             |
| RG2/RX2/DT2<br>RG2<br>RX2<br>DT2 | 5          | 7          | I/O<br>I<br>I/O | ST<br>ST<br>ST | Digital I/O.<br>USART 2 asynchronous receive.<br>USART 2 synchronous data<br>(see TX2/CK2).               |
| RG3/CCP4<br>RG3<br>CCP4          | 6          | 8          | I/O<br>I/O      | ST<br>ST       | Digital I/O.<br>Capture4 input/Compare4 output/<br>PWM4 output.   |
| RG4/CCP5<br>RG4<br>CCP5          | 8          | 10         | I/O<br>I/O      | ST<br>ST       | Digital I/O.<br>Capture5 input/Compare5 output/<br>PWM5 output.   |

**Legend:** TTL = TTL compatible input      CMOS = CMOS compatible input or output  
 ST = Schmitt Trigger input with CMOS levels      Analog = Analog input  
 I = Input      O = Output  
 P = Power      OD = Open-Drain (no P diode to VDD)

- Note 1:** Alternate assignment for CCP2 when CCP2MX is not selected (all operating modes except Microcontroller).
- 2:** Default assignment when CCP2MX is set.
- 3:** External memory interface functions are only available on PIC18F8X20 devices.
- 4:** CCP2 is multiplexed with this pin by default when configured in Microcontroller mode. Otherwise, it is multiplexed with either RB3 or RC1.
- 5:** PORTH and PORTJ are only available on PIC18F8X20 (80-pin) devices.
- 6:** AVDD must be connected to a positive supply and AVSS must be connected to a ground reference for proper operation of the part in user or ICSP modes. See parameter D001A for details.

# PIC18F6520/8520/6620/8620/6720/8720

**TABLE 1-2: PIC18FXX20 PINOUT I/O DESCRIPTIONS (CONTINUED)**

| Pin Name    | Pin Number |            | Pin Type | Buffer Type | Description   |
|-------------|------------|------------|----------|-------------|---|
|             | PIC18F6X20 | PIC18F8X20 |          |             |   |
| RH0/A16     | —          | 79         | I/O      | ST          | PORTH is a bidirectional I/O port <sup>(5)</sup> .<br>Digital I/O.<br>External memory address 16. |
| RH0<br>A16  |            |            | O        | TTL         |   |
| RH1/A17     | —          | 80         | I/O      | ST          | Digital I/O.<br>External memory address 17.   |
| RH1<br>A17  |            |            | O        | TTL         |   |
| RH2/A18     | —          | 1          | I/O      | ST          | Digital I/O.<br>External memory address 18.   |
| RH2<br>A18  |            |            | O        | TTL         |   |
| RH3/A19     | —          | 2          | I/O      | ST          | Digital I/O.<br>External memory address 19.   |
| RH3<br>A19  |            |            | O        | TTL         |   |
| RH4/AN12    | —          | 22         | I/O      | ST          | Digital I/O.<br>Analog input 12.  |
| RH4<br>AN12 |            |            | I        | Analog      |   |
| RH5/AN13    | —          | 21         | I/O      | ST          | Digital I/O.<br>Analog input 13.  |
| RH5<br>AN13 |            |            | I        | Analog      |   |
| RH6/AN14    | —          | 20         | I/O      | ST          | Digital I/O.<br>Analog input 14.  |
| RH6<br>AN14 |            |            | I        | Analog      |   |
| RH7/AN15    | —          | 19         | I/O      | ST          | Digital I/O.<br>Analog input 15.  |
| RH7<br>AN15 |            |            | I        | Analog      |   |

**Legend:** TTL = TTL compatible input      CMOS = CMOS compatible input or output  
 ST = Schmitt Trigger input with CMOS levels      Analog = Analog input  
 I = Input      O = Output  
 P = Power      OD = Open-Drain (no P diode to V<sub>DD</sub>)

- Note 1:** Alternate assignment for CCP2 when CCP2MX is not selected (all operating modes except Microcontroller).
- 2:** Default assignment when CCP2MX is set.
- 3:** External memory interface functions are only available on PIC18F8X20 devices.
- 4:** CCP2 is multiplexed with this pin by default when configured in Microcontroller mode. Otherwise, it is multiplexed with either RB3 or RC1.
- 5:** PORTH and PORTJ are only available on PIC18F8X20 (80-pin) devices.
- 6:** AV<sub>DD</sub> must be connected to a positive supply and AV<sub>SS</sub> must be connected to a ground reference for proper operation of the part in user or ICSP modes. See parameter D001A for details.

# PIC18F6520/8520/6620/8620/6720/8720

TABLE 1-2: PIC18FXX20 PINOUT I/O DESCRIPTIONS (CONTINUED)

| Pin Name              | Pin Number        |                   | Pin Type | Buffer Type | Description   |
|-----------------------|-------------------|-------------------|----------|-------------|---|
|                       | PIC18F6X20        | PIC18F8X20        |          |             |   |
| RJ0/ALE<br>RJ0<br>ALE | —                 | 62                | I/O<br>O | ST<br>TTL   | PORTJ is a bidirectional I/O port <sup>(5)</sup> .<br><br>Digital I/O.<br>External memory address latch enable. |
| RJ1/OE<br>RJ1<br>OE   | —                 | 61                | I/O<br>O | ST<br>TTL   | Digital I/O.<br>External memory output enable.  |
| RJ2/WRL<br>RJ2<br>WRL | —                 | 60                | I/O<br>O | ST<br>TTL   | Digital I/O.<br>External memory write low control.  |
| RJ3/WRH<br>RJ3<br>WRH | —                 | 59                | I/O<br>O | ST<br>TTL   | Digital I/O.<br>External memory write high control.   |
| RJ4/BA0<br>RJ4<br>BA0 | —                 | 39                | I/O<br>O | ST<br>TTL   | Digital I/O.<br>External memory Byte Address 0 control.   |
| RJ5/CE<br>RJ5<br>CE   | —                 | 40                | I/O<br>O | ST<br>TTL   | Digital I/O.<br>External memory chip enable control.  |
| RJ6/LB<br>RJ6<br>LB   | —                 | 41                | I/O<br>O | ST<br>TTL   | Digital I/O.<br>External memory low byte select.  |
| RJ7/UB<br>RJ7<br>UB   | —                 | 42                | I/O<br>O | ST<br>TTL   | Digital I/O.<br>External memory high byte select.   |
| VSS                   | 9, 25,<br>41, 56  | 11, 31,<br>51, 70 | P        | —           | Ground reference for logic and I/O pins.  |
| VDD                   | 10, 26,<br>38, 57 | 12, 32,<br>48, 71 | P        | —           | Positive supply for logic and I/O pins.   |
| AVSS <sup>(6)</sup>   | 20                | 26                | P        | —           | Ground reference for analog modules.  |
| AVDD <sup>(6)</sup>   | 19                | 25                | P        | —           | Positive supply for analog modules.   |

**Legend:** TTL = TTL compatible input                                    CMOS = CMOS compatible input or output  
ST = Schmitt Trigger input with CMOS levels            Analog = Analog input  
I = Input    O = Output  
P = Power    OD = Open-Drain (no P diode to VDD)

- Note 1:** Alternate assignment for CCP2 when CCP2MX is not selected (all operating modes except Microcontroller).
- 2:** Default assignment when CCP2MX is set.
- 3:** External memory interface functions are only available on PIC18F8X20 devices.
- 4:** CCP2 is multiplexed with this pin by default when configured in Microcontroller mode. Otherwise, it is multiplexed with either RB3 or RC1.
- 5:** PORTH and PORTJ are only available on PIC18F8X20 (80-pin) devices.
- 6:** AVDD must be connected to a positive supply and AVSS must be connected to a ground reference for proper operation of the part in user or ICSP modes. See parameter D001A for details.

# PIC18F6520/8520/6620/8620/6720/8720

## 2.0 OSCILLATOR CONFIGURATIONS

### 2.1 Oscillator Types

The PIC18FXX20 devices can be operated in eight different oscillator modes. The user can program three configuration bits (FOSC2, FOSC1 and FOSC0) to select one of these eight modes:

1. LP Low-Power Crystal
2. XT Crystal/Resonator
3. HS High-Speed Crystal/Resonator
4. HS+PLL High-Speed Crystal/Resonator with PLL enabled
5. RC External Resistor/Capacitor
6. RCIO External Resistor/Capacitor with I/O pin enabled
7. EC External Clock
8. ECIO External Clock with I/O pin enabled

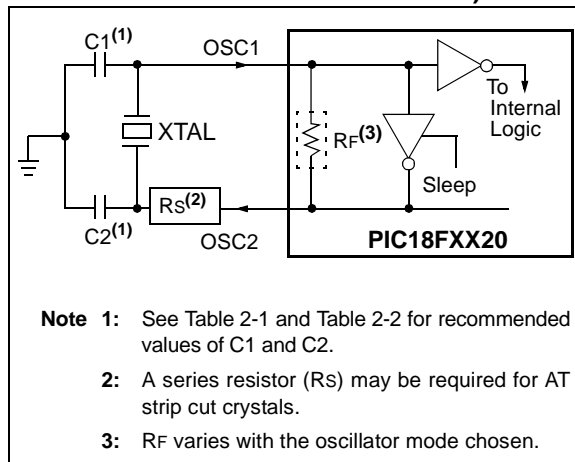
### 2.2 Crystal Oscillator/Ceramic Resonators

In XT, LP, HS or HS+PLL Oscillator modes, a crystal or ceramic resonator is connected to the OSC1 and OSC2 pins to establish oscillation. Figure 2-1 shows the pin connections.

The PIC18FXX20 oscillator design requires the use of a parallel cut crystal.

**Note:** Use of a series cut crystal may give a frequency out of the crystal manufacturer's specifications.

**FIGURE 2-1: CRYSTAL/CERAMIC RESONATOR OPERATION (HS, XT OR LP CONFIGURATION)**



**TABLE 2-1: CAPACITOR SELECTION FOR CERAMIC RESONATORS**

| Ranges Tested:   |                        |           |           |
|--|------------------------|-----------|-----------|
| Mode   | Freq                   | C1        | C2        |
| XT   | 455 kHz                | 68-100 pF | 68-100 pF |
|  | 2.0 MHz                | 15-68 pF  | 15-68 pF  |
|  | 4.0 MHz                | 15-68 pF  | 15-68 pF  |
| HS   | 8.0 MHz                | 10-68 pF  | 10-68 pF  |
|  | 16.0 MHz               | 10-22 pF  | 10-22 pF  |
| <b>These values are for design guidance only.</b><br>See notes following this table. |                        |           |           |
| Resonators Used:   |                        |           |           |
| 2.0 MHz  | Murata Erie CSA2.00MG  | ± 0.5%    |           |
| 4.0 MHz  | Murata Erie CSA4.00MG  | ± 0.5%    |           |
| 8.0 MHz  | Murata Erie CSA8.00MT  | ± 0.5%    |           |
| 16.0 MHz   | Murata Erie CSA16.00MX | ± 0.5%    |           |
| All resonators used did not have built-in capacitors.                                |                        |           |           |

- Note 1:** Higher capacitance increases the stability of the oscillator, but also increases the start-up time.
- 2:** When operating below 3V VDD, or when using certain ceramic resonators at any voltage, it may be necessary to use high gain HS mode, try a lower frequency resonator, or switch to a crystal oscillator.
- 3:** Since each resonator/crystal has its own characteristics, the user should consult the resonator/crystal manufacturer for appropriate values of external components, or verify oscillator performance.

# PIC18F6520/8520/6620/8620/6720/8720

**TABLE 2-2: CAPACITOR SELECTION FOR CRYSTAL OSCILLATOR**

| Ranges Tested: |         |          |          |
|----------------|---------|----------|----------|
| Mode           | Freq    | C1       | C2       |
| LP             | 32 kHz  | 15-22 pF | 15-22 pF |
|                | 200 kHz |          |          |
| XT             | 1 MHz   | 15-22 pF | 15-22 pF |
|                | 4 MHz   |          |          |
| HS             | 4 MHz   | 15-22 pF | 15-22 pF |
|                | 8 MHz   |          |          |
|                | 20 MHz  |          |          |

**Capacitor values are for design guidance only.**

These capacitors were tested with the above crystal frequencies for basic start-up and operation. **These values are not optimized.**

Different capacitor values may be required to produce acceptable oscillator operation. The user should test the performance of the oscillator over the expected VDD and temperature range for the application.

See the notes following this table for additional information.

- Note 1:** Higher capacitance increases the stability of the oscillator, but also increases the start-up time.
- When operating below 3V VDD, or when using certain ceramic resonators at any voltage, it may be necessary to use the HS mode or switch to a crystal oscillator.
  - Since each resonator/crystal has its own characteristics, the user should consult the resonator/crystal manufacturer for appropriate values of external components, or verify oscillator performance.
  - RS may be required to avoid overdriving crystals with low drive level specification.
  - Always verify oscillator performance over the VDD and temperature range that is expected for the application.

An external clock source may also be connected to the OSC1 pin in the HS, XT and LP modes, as shown in Figure 2-2.

**FIGURE 2-2: EXTERNAL CLOCK INPUT OPERATION (HS, XT OR LPOSCCONFIGURATION)**



### 2.3 RC Oscillator

For timing insensitive applications, the “RC” and “RCIO” device options offer additional cost savings. The RC oscillator frequency is a function of the supply voltage, the resistor (REXT) and capacitor (CEXT) values and the operating temperature. In addition to this, the oscillator frequency will vary from unit to unit, due to normal process parameter variation. Furthermore, the difference in lead frame capacitance between package types will also affect the oscillation frequency, especially for low CEXT values. The user also needs to take into account variation due to tolerance of external R and C components used. Figure 2-3 shows how the R/C combination is connected.

In the RC Oscillator mode, the oscillator frequency divided by 4 is available on the OSC2 pin. This signal may be used for test purposes or to synchronize other logic.

**FIGURE 2-3: RC OSCILLATOR MODE**



The RCIO Oscillator mode functions like the RC mode, except that the OSC2 pin becomes an additional general purpose I/O pin. The I/O pin becomes bit 6 of PORTA (RA6).

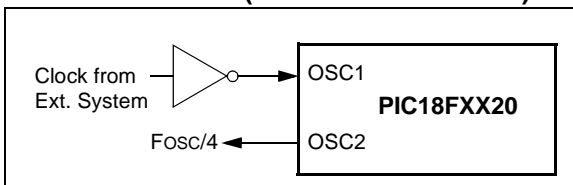
# PIC18F6520/8520/6620/8620/6720/8720

## 2.4 External Clock Input

The EC and ECIO Oscillator modes require an external clock source to be connected to the OSC1 pin. The feedback device between OSC1 and OSC2 is turned off in these modes to save current. There is a maximum 1.5  $\mu$ s start-up required after a Power-on Reset, or wake-up from Sleep mode.

In the EC Oscillator mode, the oscillator frequency divided by 4 is available on the OSC2 pin. This signal may be used for test purposes or to synchronize other logic. Figure 2-4 shows the pin connections for the EC Oscillator mode.

**FIGURE 2-4: EXTERNAL CLOCK INPUT OPERATION (EC CONFIGURATION)**



The ECIO Oscillator mode functions like the EC mode, except that the OSC2 pin becomes an additional general purpose I/O pin. The I/O pin becomes bit 6 of PORTA (RA6). Figure 2-5 shows the pin connections for the ECIO Oscillator mode.

**FIGURE 2-5: EXTERNAL CLOCK INPUT OPERATION (ECIO CONFIGURATION)**



## 2.5 HS/PLL

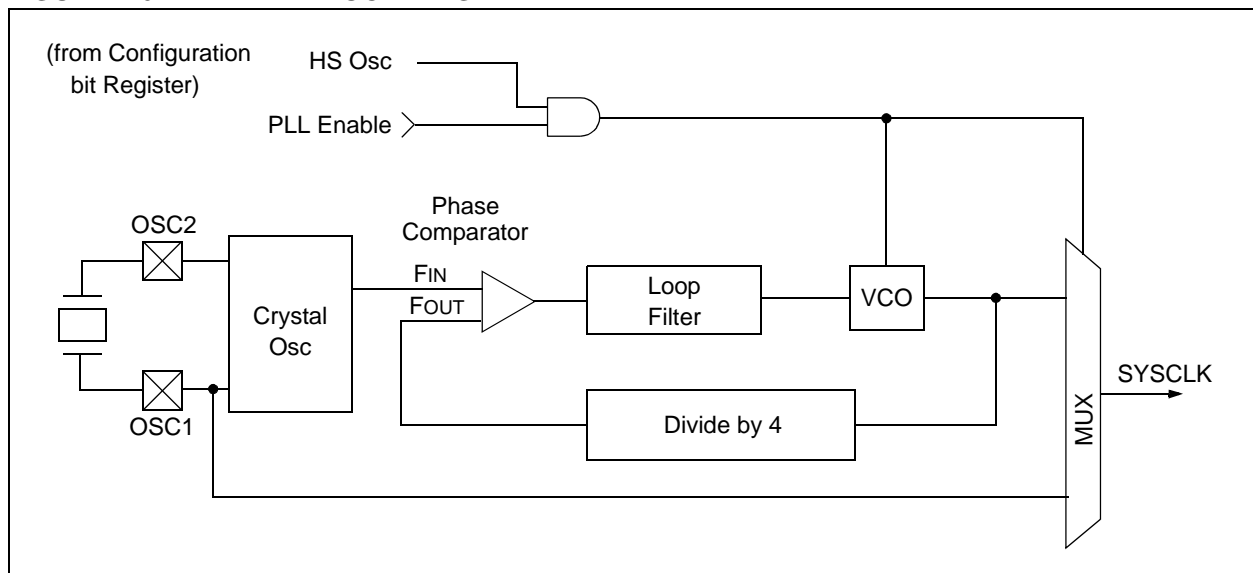
A Phase Locked Loop circuit (PLL) is provided as a programmable option for users that want to multiply the frequency of the incoming crystal oscillator signal by 4. For an input clock frequency of 10 MHz, the internal clock frequency will be multiplied to 40 MHz. This is useful for customers who are concerned with EMI due to high-frequency crystals.

The PLL is one of the modes of the FOSC<2:0> configuration bits. The oscillator mode is specified during device programming.

The PLL can only be enabled when the oscillator configuration bits are programmed for HS mode. If they are programmed for any other mode, the PLL is not enabled and the system clock will come directly from OSC1. Also, PLL operation cannot be changed “on-the-fly”. To enable or disable it, the controller must either cycle through a Power-on Reset, or switch the clock source from the main oscillator to the Timer1 oscillator and back again. See **Section 2.6 “Oscillator Switching Feature”** for details on oscillator switching.

A PLL lock timer is used to ensure that the PLL has locked before device execution starts. The PLL lock timer has a time-out that is called TPLL.

**FIGURE 2-6: PLL BLOCK DIAGRAM**



# PIC18F6520/8520/6620/8620/6720/8720

## 2.6 Oscillator Switching Feature

The PIC18FXX20 devices include a feature that allows the system clock source to be switched from the main oscillator to an alternate low-frequency clock source. For the PIC18FXX20 devices, this alternate clock source is the Timer1 oscillator. If a low-frequency crystal (32 kHz, for example) has been attached to the Timer1 oscillator pins and the Timer1 oscillator has been enabled, the device can switch to a low-power

execution mode. Figure 2-7 shows a block diagram of the system clock sources. The clock switching feature is enabled by programming the Oscillator Switching Enable (OSCSEN) bit in Configuration Register 1H to a '0'. Clock switching is disabled in an erased device. See **Section 12.0 "Timer1 Module"** for further details of the Timer1 oscillator. See **Section 23.0 "Special Features of the CPU"** for Configuration register details.

**FIGURE 2-7: DEVICE CLOCK SOURCES**





# PIC18F6520/8520/6620/8620/6720/8720

## 2.6.1 SYSTEM CLOCK SWITCH BIT

The system clock source switching is performed under software control. The system clock switch bit, SCS (OSCCON<0>), controls the clock switching. When the SCS bit is '0', the system clock source comes from the main oscillator that is selected by the FOSC configuration bits in Configuration Register 1H. When the SCS bit is set, the system clock source will come from the Timer1 oscillator. The SCS bit is cleared on all forms of Reset.

**Note:** The Timer1 oscillator must be enabled and operating to switch the system clock source. The Timer1 oscillator is enabled by setting the T1OSCEN bit in the Timer1 Control register (T1CON). If the Timer1 oscillator is not enabled, then any write to the SCS bit will be ignored (SCS bit forced cleared) and the main oscillator will continue to be the system clock source.

### REGISTER 2-1: OSCCON REGISTER

|       |     |     |     |     |     |     |       |
|-------|-----|-----|-----|-----|-----|-----|-------|
| U-0   | U-0 | U-0 | U-0 | U-0 | U-0 | U-0 | R/W-1 |
| —     | —   | —   | —   | —   | —   | —   | SCS   |
| bit 7 |     |     |     |     |     |     | bit 0 |

bit 7-1 **Unimplemented:** Read as '0'

bit 0 **SCS:** System Clock Switch bit

When  $\overline{\text{OSCSEN}}$  Configuration bit = 0 and T1OSCEN bit is set:

1 = Switch to Timer1 oscillator/clock pin

0 = Use primary oscillator/clock input pin

When  $\overline{\text{OSCSEN}}$  and T1OSCEN are in other states:

Bit is forced clear.

#### Legend:

R = Readable bit

W = Writable bit

U = Unimplemented bit, read as '0'

- n = Value at POR

'1' = Bit is set

'0' = Bit is cleared

x = Bit is unknown

# PIC18F6520/8520/6620/8620/6720/8720

## 2.6.2 OSCILLATOR TRANSITIONS

PIC18FXX20 devices contain circuitry to prevent “glitches” when switching between oscillator sources. Essentially, the circuitry waits for eight rising edges of the clock source that the processor is switching to. This ensures that the new clock source is stable and that its pulse width will not be less than the shortest pulse width of the two clock sources.

A timing diagram indicating the transition from the main oscillator to the Timer1 oscillator is shown in Figure 2-8. The Timer1 oscillator is assumed to be running all the time. After the SCS bit is set, the processor is frozen at the next occurring Q1 cycle. After eight synchronization cycles are counted from the Timer1 oscillator, operation resumes. No additional delays are required after the synchronization cycles.

**FIGURE 2-8: TIMING DIAGRAM FOR TRANSITION FROM OSC1 TO TIMER1 OSCILLATOR**



The sequence of events that takes place when switching from the Timer1 oscillator to the main oscillator will depend on the mode of the main oscillator. In addition to eight clock cycles of the main oscillator, additional delays may take place.

If the main oscillator is configured for an external crystal (HS, XT, LP), then the transition will take place after an oscillator start-up time (TOST) has occurred. A timing diagram, indicating the transition from the Timer1 oscillator to the main oscillator for HS, XT and LP modes, is shown in Figure 2-9.

**FIGURE 2-9: TIMING FOR TRANSITION BETWEEN TIMER1 AND OSC1 (HS, XT, LP)**

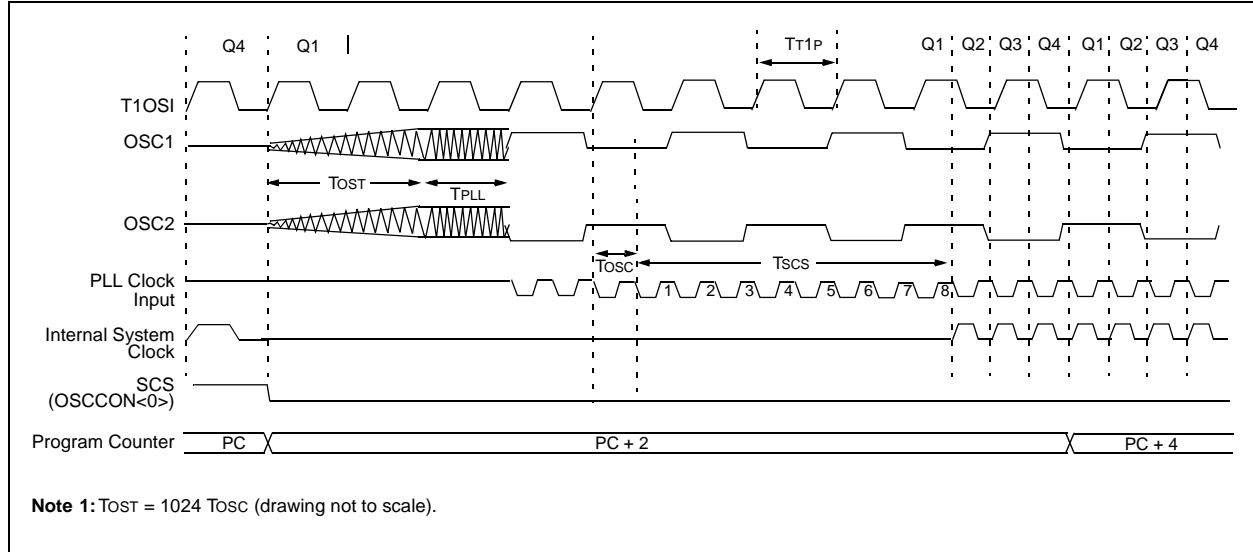


# PIC18F6520/8520/6620/8620/6720/8720

If the main oscillator is configured for HS-PLL mode, an oscillator start-up time ( $T_{OST}$ ), plus an additional PLL time-out ( $T_{PLL}$ ), will occur. The PLL time-out is typically 2 ms and allows the PLL to lock to the main oscillator

frequency. A timing diagram, indicating the transition from the Timer1 oscillator to the main oscillator for HS-PLL mode, is shown in Figure 2-10.

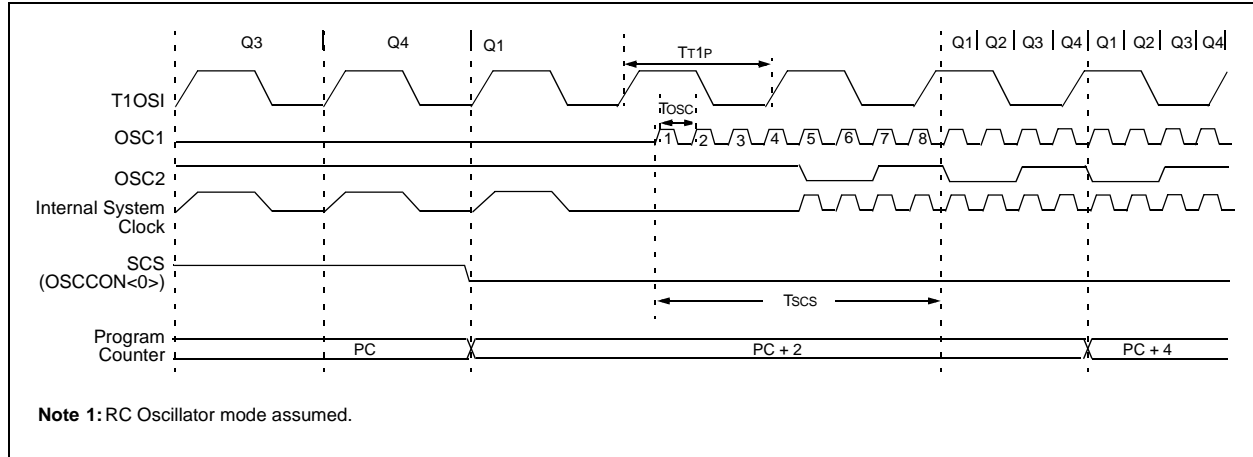
**FIGURE 2-10: TIMING FOR TRANSITION BETWEEN TIMER1 AND OSC1 (HS WITH PLL)**



If the main oscillator is configured in the RC, RCIO, EC or ECIO modes, there is no oscillator start-up time-out. Operation will resume after eight cycles of the main oscillator have been counted. A timing diagram,

indicating the transition from the Timer1 oscillator to the main oscillator for RC, RCIO, EC and ECIO modes, is shown in Figure 2-11.

**FIGURE 2-11: TIMING FOR TRANSITION BETWEEN TIMER1 AND OSC1 (RC, EC)**



# PIC18F6520/8520/6620/8620/6720/8720

## 2.7 Effects of Sleep Mode on the On-Chip Oscillator

When the device executes a `SLEEP` instruction, the on-chip clocks and oscillator are turned off and the device is held at the beginning of an instruction cycle (Q1 state). With the oscillator off, the OSC1 and OSC2 signals will stop oscillating. Since all the transistor switching currents have been removed, Sleep mode achieves the lowest current consumption of the device (only leakage currents). Enabling any on-chip feature that will operate during Sleep will increase the current consumed during Sleep. The user can wake from Sleep through external Reset, Watchdog Timer Reset or through an interrupt.

## 2.8 Power-up Delays

Power up delays are controlled by two timers so that no external Reset circuitry is required for most applications. The delays ensure that the device is kept in Reset until the device power supply and clock are stable. For additional information on Reset operation, see **Section 3.0 “Reset”**.

The first timer is the Power-up Timer (PWRT), which optionally provides a fixed delay of 72 ms (nominal) on power-up only (POR and BOR). The second timer is the Oscillator Start-up Timer (OST), intended to keep the chip in Reset until the crystal oscillator is stable.

With the PLL enabled (HS/PLL Oscillator mode), the time-out sequence following a Power-on Reset is different from other oscillator modes. The time-out sequence is as follows: First, the PWRT time-out is invoked after a POR time delay has expired. Then, the Oscillator Start-up Timer (OST) is invoked. However, this is still not a sufficient amount of time to allow the PLL to lock at high frequencies. The PWRT timer is used to provide an additional fixed 2 ms (nominal) time-out to allow the PLL ample time to lock to the incoming clock frequency.

**TABLE 2-3: OSC1 AND OSC2 PIN STATES IN SLEEP MODE**

| OSC Mode      | OSC1 Pin  | OSC2 Pin  |
|---------------|---|---|
| RC            | Floating, external resistor should pull high          | At logic low  |
| RCIO          | Floating, external resistor should pull high          | Configured as PORTA, bit 6                            |
| ECIO          | Floating  | Configured as PORTA, bit 6                            |
| EC            | Floating  | At logic low  |
| LP, XT and HS | Feedback inverter disabled at quiescent voltage level | Feedback inverter disabled at quiescent voltage level |

**Note:** See Table 3-1 in **Section 3.0 “Reset”** for time-outs due to Sleep and MCLR Reset.

# PIC18F6520/8520/6620/8620/6720/8720

## 3.0 RESET

The PIC18FXX20 devices differentiate between various kinds of Reset:

- Power-on Reset (POR)
- $\overline{\text{MCLR}}$  Reset during normal operation
- $\overline{\text{MCLR}}$  Reset during Sleep
- Watchdog Timer (WDT) Reset (during normal operation)
- Programmable Brown-out Reset (PBOR)
- RESET Instruction
- Stack Full Reset
- Stack Underflow Reset

Most registers are unaffected by a Reset. Their status is unknown on POR and unchanged by all other Resets. The other registers are forced to a "Reset state" on Power-on Reset,  $\overline{\text{MCLR}}$ , WDT Reset, Brown-out Reset,  $\overline{\text{MCLR}}$  Reset during Sleep and by the RESET instruction.

Most registers are not affected by a WDT wake-up, since this is viewed as the resumption of normal operation. Status bits from the RCON register,  $\overline{\text{RI}}$ ,  $\overline{\text{TO}}$ ,  $\overline{\text{PD}}$ ,  $\overline{\text{POR}}$  and  $\overline{\text{BOR}}$ , are set or cleared differently in different Reset situations, as indicated in Table 3-2. These bits are used in software to determine the nature of the Reset. See Table 3-3 for a full description of the Reset states of all registers.

A simplified block diagram of the On-Chip Reset Circuit is shown in Figure 3-1.

The Enhanced MCU devices have a  $\overline{\text{MCLR}}$  noise filter in the  $\overline{\text{MCLR}}$  Reset path. The filter will detect and ignore small pulses. The  $\overline{\text{MCLR}}$  pin is not driven low by any internal Resets, including the WDT.

**FIGURE 3-1: SIMPLIFIED BLOCK DIAGRAM OF ON-CHIP RESET CIRCUIT**



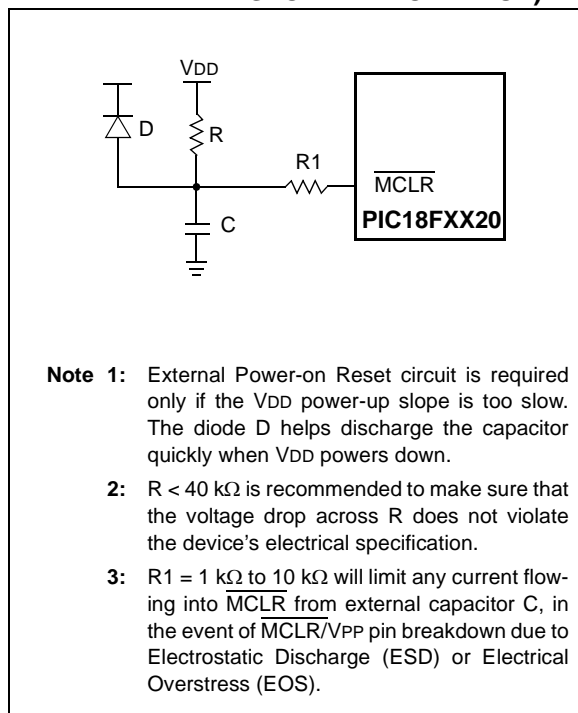
# PIC18F6520/8520/6620/8620/6720/8720

## 3.1 Power-on Reset (POR)

A Power-on Reset pulse is generated on-chip when VDD rise is detected. To take advantage of the POR circuitry, tie the  $\overline{\text{MCLR}}$  pin through a 1 k $\Omega$  to 10 k $\Omega$  resistor to VDD. This will eliminate external RC components usually needed to create a Power-on Reset delay. A minimum rise rate for VDD is specified (parameter D004). For a slow rise time, see Figure 3-2.

When the device starts normal operation (i.e., exits the Reset condition), device operating parameters (voltage, frequency, temperature, etc.) must be met to ensure operation. If these conditions are not met, the device must be held in Reset until the operating conditions are met.

**FIGURE 3-2: EXTERNAL POWER-ON RESET CIRCUIT (FOR SLOW VDD POWER-UP)**



## 3.2 Power-up Timer (PWRT)

The Power-up Timer provides a fixed nominal time-out (parameter #33) only on power-up from the POR. The Power-up Timer operates on an internal RC oscillator. The chip is kept in Reset as long as the PWRT is active. The PWRT's time delay allows VDD to rise to an acceptable level. A configuration bit is provided to enable/disable the PWRT.

The power-up time delay will vary from chip-to-chip due to VDD, temperature and process variation. See DC parameter #33 for details.

## 3.3 Oscillator Start-up Timer (OST)

The Oscillator Start-up Timer (OST) provides 1024 oscillator cycles (from OSC1 input) delay after the PWRT delay is over (parameter #32). This ensures that the crystal oscillator or resonator has started and stabilized.

The OST time-out is invoked only for XT, LP and HS modes and only on Power-on Reset, or wake-up from Sleep.

## 3.4 PLL Lock Time-out

With the PLL enabled, the time-out sequence following a Power-on Reset is different from other oscillator modes. A portion of the Power-up Timer is used to provide a fixed time-out that is sufficient for the PLL to lock to the main oscillator frequency. This PLL lock time-out (TPLL) is typically 2 ms and follows the oscillator start-up time-out.

## 3.5 Brown-out Reset (BOR)

A configuration bit, BOREN, can disable (if clear/programmed), or enable (if set) the Brown-out Reset circuitry. If VDD falls below parameter D005 for greater than parameter #35, the brown-out situation will reset the chip. A Reset may not occur if VDD falls below parameter D005 for less than parameter #35. The chip will remain in Brown-out Reset until VDD rises above BVDD. If the Power-up Timer is enabled, it will be invoked after VDD rises above BVDD; it then will keep the chip in Reset for an additional time delay (parameter #33). If VDD drops below BVDD while the Power-up Timer is running, the chip will go back into a Brown-out Reset and the Power-up Timer will be initialized. Once VDD rises above BVDD, the Power-up Timer will execute the additional time delay.

## 3.6 Time-out Sequence

On power-up, the time-out sequence is as follows: First, PWRT time-out is invoked after the POR time delay has expired. Then, OST is activated. The total time-out will vary based on oscillator configuration and the status of the PWRT. For example, in RC mode with the PWRT disabled, there will be no time-out at all. Figures 3-3 through 3-7 depict time-out sequences on power-up.

Since the time-outs occur from the POR pulse, the time-outs will expire if  $\overline{\text{MCLR}}$  is kept low long enough. Bringing  $\overline{\text{MCLR}}$  high will begin execution immediately (Figure 3-5). This is useful for testing purposes, or to synchronize more than one PIC18FXX20 device operating in parallel.

Table 3-2 shows the Reset conditions for some Special Function Registers, while Table 3-3 shows the Reset conditions for all of the registers.

# PIC18F6520/8520/6620/8620/6720/8720

**TABLE 3-1: TIME-OUT IN VARIOUS SITUATIONS**

| Oscillator Configuration           | Power-up <sup>(2)</sup>       |                               | Brown-out                               | Wake-up from Sleep or Oscillator Switch |
|------------------------------------|-------------------------------|-------------------------------|---|---|
|                                    | $\overline{\text{PWRTE}} = 0$ | $\overline{\text{PWRTE}} = 1$ |   |   |
| HS with PLL enabled <sup>(1)</sup> | 72 ms + 1024 TOSC + 2ms       | 1024 TOSC + 2 ms              | 72 ms <sup>(2)</sup> + 1024 TOSC + 2 ms | 1024 TOSC + 2 ms                        |
| HS, XT, LP                         | 72 ms + 1024 TOSC             | 1024 TOSC                     | 72 ms <sup>(2)</sup> + 1024 TOSC        | 1024 TOSC                               |
| EC                                 | 72 ms                         | 1.5 $\mu\text{s}$             | 72 ms <sup>(2)</sup>                    | 1.5 $\mu\text{s}$ <sup>(3)</sup>        |
| External RC                        | 72 ms                         | —                             | 72 ms <sup>(2)</sup>                    | —                                       |

**Note 1:** 2 ms is the nominal time required for the 4xPLL to lock.

**Note 2:** 72 ms is the nominal power-up timer delay, if implemented.

**Note 3:** 1.5  $\mu\text{s}$  is the recovery time from Sleep. There is no recovery time from oscillator switch.

**REGISTER 3-1: RCON REGISTER BITS AND POSITIONS**

|       |     |     |                        |                        |                        |                         |                         |       |
|-------|-----|-----|------------------------|------------------------|------------------------|-------------------------|-------------------------|-------|
| R/W-0 | U-0 | U-0 | R/W-1                  | R/W-1                  | R/W-1                  | R/W-1                   | R/W-1                   |       |
| IPEN  | —   | —   | $\overline{\text{RI}}$ | $\overline{\text{TO}}$ | $\overline{\text{PD}}$ | $\overline{\text{POR}}$ | $\overline{\text{BOR}}$ |       |
| bit 7 |     |     |                        |                        |                        |                         |                         | bit 0 |

**Note 1:** Refer to Section 4.14 “RCON Register” for bit definitions.

**TABLE 3-2: STATUS BITS, THEIR SIGNIFICANCE AND THE INITIALIZATION CONDITION FOR RCON REGISTER**

| Condition                                     | Program Counter       | RCON Register | $\overline{\text{RI}}$ | $\overline{\text{TO}}$ | $\overline{\text{PD}}$ | $\overline{\text{POR}}$ | $\overline{\text{BOR}}$ | STKFUL | STKUNF |
|---|-----------------------|---------------|------------------------|------------------------|------------------------|-------------------------|-------------------------|--------|--------|
| Power-on Reset                                | 0000h                 | 0--1 1100     | 1                      | 1                      | 1                      | 0                       | 0                       | u      | u      |
| MCLR Reset during normal operation            | 0000h                 | 0--u uuuu     | u                      | u                      | u                      | u                       | u                       | u      | u      |
| Software Reset during normal operation        | 0000h                 | 0--0 uuuu     | 0                      | u                      | u                      | u                       | u                       | u      | u      |
| Stack Full Reset during normal operation      | 0000h                 | 0--u uu11     | u                      | u                      | u                      | u                       | u                       | u      | 1      |
| Stack Underflow Reset during normal operation | 0000h                 | 0--u uu11     | u                      | u                      | u                      | u                       | u                       | 1      | u      |
| MCLR Reset during Sleep                       | 0000h                 | 0--u 10uu     | u                      | 1                      | 0                      | u                       | u                       | u      | u      |
| WDT Reset                                     | 0000h                 | 0--u 01uu     | 1                      | 0                      | 1                      | u                       | u                       | u      | u      |
| WDT Wake-up                                   | PC + 2                | u--u 00uu     | u                      | 0                      | 0                      | u                       | u                       | u      | u      |
| Brown-out Reset                               | 0000h                 | 0--1 11u0     | 1                      | 1                      | 1                      | 1                       | 0                       | u      | u      |
| Interrupt wake-up from Sleep                  | PC + 2 <sup>(1)</sup> | u--u 00uu     | u                      | 1                      | 0                      | u                       | u                       | u      | u      |

**Legend:** u = unchanged, x = unknown, — = unimplemented bit, read as ‘0’

**Note 1:** When the wake-up is due to an interrupt and the GIEH or GIEL bits are set, the PC is loaded with the interrupt vector (0x000008h or 0x000018h).

# PIC18F6520/8520/6620/8620/6720/8720

**TABLE 3-3: INITIALIZATION CONDITIONS FOR ALL REGISTERS**

| Register | Applicable Devices |            | Power-on Reset,<br>Brown-out Reset | MCLR Resets<br>WDT Reset<br>RESET Instruction<br>Stack Resets | Wake-up via WDT<br>or Interrupt |
|----------|--------------------|------------|------------------------------------|---|---------------------------------|
| TOSU     | PIC18F6X20         | PIC18F8X20 | ---0 0000                          | ---0 0000   | ---0 uuuu <sup>(3)</sup>        |
| TOSH     | PIC18F6X20         | PIC18F8X20 | 0000 0000                          | 0000 0000   | uuuu uuuu <sup>(3)</sup>        |
| TOSL     | PIC18F6X20         | PIC18F8X20 | 0000 0000                          | 0000 0000   | uuuu uuuu <sup>(3)</sup>        |
| STKPTR   | PIC18F6X20         | PIC18F8X20 | 00-0 0000                          | uu-0 0000   | uu-u uuuu <sup>(3)</sup>        |
| PCLATU   | PIC18F6X20         | PIC18F8X20 | ---0 0000                          | ---0 0000   | ---u uuuu                       |
| PCLATH   | PIC18F6X20         | PIC18F8X20 | 0000 0000                          | 0000 0000   | uuuu uuuu                       |
| PCL      | PIC18F6X20         | PIC18F8X20 | 0000 0000                          | 0000 0000   | PC + 2 <sup>(2)</sup>           |
| TBLPTRU  | PIC18F6X20         | PIC18F8X20 | --00 0000                          | --00 0000   | --uu uuuu                       |
| TBLPTRH  | PIC18F6X20         | PIC18F8X20 | 0000 0000                          | 0000 0000   | uuuu uuuu                       |
| TBLPTRL  | PIC18F6X20         | PIC18F8X20 | 0000 0000                          | 0000 0000   | uuuu uuuu                       |
| TABLAT   | PIC18F6X20         | PIC18F8X20 | 0000 0000                          | 0000 0000   | uuuu uuuu                       |
| PRODH    | PIC18F6X20         | PIC18F8X20 | xxxx xxxx                          | uuuu uuuu   | uuuu uuuu                       |
| PRODL    | PIC18F6X20         | PIC18F8X20 | xxxx xxxx                          | uuuu uuuu   | uuuu uuuu                       |
| INTCON   | PIC18F6X20         | PIC18F8X20 | 0000 000x                          | 0000 000u   | uuuu uuuu <sup>(1)</sup>        |
| INTCON2  | PIC18F6X20         | PIC18F8X20 | 1111 1111                          | 1111 1111   | uuuu uuuu <sup>(1)</sup>        |
| INTCON3  | PIC18F6X20         | PIC18F8X20 | 1100 0000                          | 1100 0000   | uuuu uuuu <sup>(1)</sup>        |
| INDF0    | PIC18F6X20         | PIC18F8X20 | N/A                                | N/A   | N/A                             |
| POSTINC0 | PIC18F6X20         | PIC18F8X20 | N/A                                | N/A   | N/A                             |
| POSTDEC0 | PIC18F6X20         | PIC18F8X20 | N/A                                | N/A   | N/A                             |
| PREINC0  | PIC18F6X20         | PIC18F8X20 | N/A                                | N/A   | N/A                             |
| PLUSW0   | PIC18F6X20         | PIC18F8X20 | N/A                                | N/A   | N/A                             |
| FSR0H    | PIC18F6X20         | PIC18F8X20 | ---- xxxx                          | ---- uuuu   | ---- uuuu                       |
| FSR0L    | PIC18F6X20         | PIC18F8X20 | xxxx xxxx                          | uuuu uuuu   | uuuu uuuu                       |
| WREG     | PIC18F6X20         | PIC18F8X20 | xxxx xxxx                          | uuuu uuuu   | uuuu uuuu                       |
| INDF1    | PIC18F6X20         | PIC18F8X20 | N/A                                | N/A   | N/A                             |
| POSTINC1 | PIC18F6X20         | PIC18F8X20 | N/A                                | N/A   | N/A                             |
| POSTDEC1 | PIC18F6X20         | PIC18F8X20 | N/A                                | N/A   | N/A                             |
| PREINC1  | PIC18F6X20         | PIC18F8X20 | N/A                                | N/A   | N/A                             |
| PLUSW1   | PIC18F6X20         | PIC18F8X20 | N/A                                | N/A   | N/A                             |

**Legend:** u = unchanged, x = unknown, - = unimplemented bit, read as '0', q = value depends on condition.  
Shaded cells indicate conditions do not apply for the designated device.

**Note 1:** One or more bits in the INTCONx or PIRx registers will be affected (to cause wake-up).

**2:** When the wake-up is due to an interrupt and the GIEL or GIEH bit is set, the PC is loaded with the interrupt vector (0008h or 0018h).

**3:** When the wake-up is due to an interrupt and the GIEL or GIEH bit is set, the TOSU, TOSH and TOSL are updated with the current value of the PC. The STKPTR is modified to point to the next location in the hardware stack.

**4:** See Table 3-2 for Reset value for specific condition.

**5:** Bit 6 of PORTA, LATA and TRISA are enabled in ECIO and RCIO Oscillator modes only. In all other oscillator modes, they are disabled and read '0'.

**6:** Bit 6 of PORTA, LATA and TRISA are not available on all devices. When unimplemented, they are read '0'.



# PIC18F6520/8520/6620/8620/6720/8720

**TABLE 3-3: INITIALIZATION CONDITIONS FOR ALL REGISTERS (CONTINUED)**

| Register            | Applicable Devices |            | Power-on Reset,<br>Brown-out Reset | MCLR Resets<br>WDT Reset<br>RESET Instruction<br>Stack Resets | Wake-up via WDT<br>or Interrupt |
|---------------------|--------------------|------------|------------------------------------|---|---------------------------------|
| FSR1H               | PIC18F6X20         | PIC18F8X20 | ---- xxxx                          | ---- uuuu   | ---- uuuu                       |
| FSR1L               | PIC18F6X20         | PIC18F8X20 | xxxx xxxx                          | uuuu uuuu   | uuuu uuuu                       |
| BSR                 | PIC18F6X20         | PIC18F8X20 | ---- 0000                          | ---- 0000   | ---- uuuu                       |
| INDF2               | PIC18F6X20         | PIC18F8X20 | N/A                                | N/A   | N/A                             |
| POSTINC2            | PIC18F6X20         | PIC18F8X20 | N/A                                | N/A   | N/A                             |
| POSTDEC2            | PIC18F6X20         | PIC18F8X20 | N/A                                | N/A   | N/A                             |
| PREINC2             | PIC18F6X20         | PIC18F8X20 | N/A                                | N/A   | N/A                             |
| PLUSW2              | PIC18F6X20         | PIC18F8X20 | N/A                                | N/A   | N/A                             |
| FSR2H               | PIC18F6X20         | PIC18F8X20 | ---- xxxx                          | ---- uuuu   | ---- uuuu                       |
| FSR2L               | PIC18F6X20         | PIC18F8X20 | xxxx xxxx                          | uuuu uuuu   | uuuu uuuu                       |
| STATUS              | PIC18F6X20         | PIC18F8X20 | ---x xxxx                          | ---u uuuu   | ---u uuuu                       |
| TMR0H               | PIC18F6X20         | PIC18F8X20 | 0000 0000                          | uuuu uuuu   | uuuu uuuu                       |
| TMR0L               | PIC18F6X20         | PIC18F8X20 | xxxx xxxx                          | uuuu uuuu   | uuuu uuuu                       |
| T0CON               | PIC18F6X20         | PIC18F8X20 | 1111 1111                          | 1111 1111   | uuuu uuuu                       |
| OSCCON              | PIC18F6X20         | PIC18F8X20 | ---- ---0                          | ---- ---0   | ---- ---u                       |
| LVDCON              | PIC18F6X20         | PIC18F8X20 | --00 0101                          | --00 0101   | --uu uuuu                       |
| WDTCON              | PIC18F6X20         | PIC18F8X20 | ---- ---0                          | ---- ---0   | ---- ---u                       |
| RCON <sup>(4)</sup> | PIC18F6X20         | PIC18F8X20 | 0--q 11qq                          | 0--q qquu   | u--u qquu                       |
| TMR1H               | PIC18F6X20         | PIC18F8X20 | xxxx xxxx                          | uuuu uuuu   | uuuu uuuu                       |
| TMR1L               | PIC18F6X20         | PIC18F8X20 | xxxx xxxx                          | uuuu uuuu   | uuuu uuuu                       |
| T1CON               | PIC18F6X20         | PIC18F8X20 | 0-00 0000                          | u-uu uuuu   | u-uu uuuu                       |
| TMR2                | PIC18F6X20         | PIC18F8X20 | 0000 0000                          | 0000 0000   | uuuu uuuu                       |
| PR2                 | PIC18F6X20         | PIC18F8X20 | 1111 1111                          | 1111 1111   | 1111 1111                       |
| T2CON               | PIC18F6X20         | PIC18F8X20 | -000 0000                          | -000 0000   | -uuu uuuu                       |
| SSPBUF              | PIC18F6X20         | PIC18F8X20 | xxxx xxxx                          | uuuu uuuu   | uuuu uuuu                       |
| SSPADD              | PIC18F6X20         | PIC18F8X20 | 0000 0000                          | 0000 0000   | uuuu uuuu                       |
| SSPSTAT             | PIC18F6X20         | PIC18F8X20 | 0000 0000                          | 0000 0000   | uuuu uuuu                       |
| SSPCON1             | PIC18F6X20         | PIC18F8X20 | 0000 0000                          | 0000 0000   | uuuu uuuu                       |
| SSPCON2             | PIC18F6X20         | PIC18F8X20 | 0000 0000                          | 0000 0000   | uuuu uuuu                       |

**Legend:** u = unchanged, x = unknown, - = unimplemented bit, read as '0', q = value depends on condition. Shaded cells indicate conditions do not apply for the designated device.

- Note 1:** One or more bits in the INTCONx or PIRx registers will be affected (to cause wake-up).
- 2:** When the wake-up is due to an interrupt and the GIEL or GIEH bit is set, the PC is loaded with the interrupt vector (0008h or 0018h).
- 3:** When the wake-up is due to an interrupt and the GIEL or GIEH bit is set, the TOSU, TOSH and TOSL are updated with the current value of the PC. The STKPTR is modified to point to the next location in the hardware stack.
- 4:** See Table 3-2 for Reset value for specific condition.
- 5:** Bit 6 of PORTA, LATA and TRISA are enabled in ECIO and RCIO Oscillator modes only. In all other oscillator modes, they are disabled and read '0'.
- 6:** Bit 6 of PORTA, LATA and TRISA are not available on all devices. When unimplemented, they are read '0'.

# PIC18F6520/8520/6620/8620/6720/8720

**TABLE 3-3: INITIALIZATION CONDITIONS FOR ALL REGISTERS (CONTINUED)**

| Register | Applicable Devices |            | Power-on Reset,<br>Brown-out Reset | MCLR Resets<br>WDT Reset<br>RESET Instruction<br>Stack Resets | Wake-up via WDT<br>or Interrupt |
|----------|--------------------|------------|------------------------------------|---|---------------------------------|
| ADRESH   | PIC18F6X20         | PIC18F8X20 | xxxx xxxx                          | uuuu uuuu   | uuuu uuuu                       |
| ADRESL   | PIC18F6X20         | PIC18F8X20 | xxxx xxxx                          | uuuu uuuu   | uuuu uuuu                       |
| ADCON0   | PIC18F6X20         | PIC18F8X20 | --00 0000                          | --00 0000   | --uu uuuu                       |
| ADCON1   | PIC18F6X20         | PIC18F8X20 | --00 0000                          | --00 0000   | --uu uuuu                       |
| ADCON2   | PIC18F6X20         | PIC18F8X20 | 0--- -000                          | 0--- -000   | u--- -uuu                       |
| CCPR1H   | PIC18F6X20         | PIC18F8X20 | xxxx xxxx                          | uuuu uuuu   | uuuu uuuu                       |
| CCPR1L   | PIC18F6X20         | PIC18F8X20 | xxxx xxxx                          | uuuu uuuu   | uuuu uuuu                       |
| CCP1CON  | PIC18F6X20         | PIC18F8X20 | --00 0000                          | --00 0000   | --uu uuuu                       |
| CCPR2H   | PIC18F6X20         | PIC18F8X20 | xxxx xxxx                          | uuuu uuuu   | uuuu uuuu                       |
| CCPR2L   | PIC18F6X20         | PIC18F8X20 | xxxx xxxx                          | uuuu uuuu   | uuuu uuuu                       |
| CCP2CON  | PIC18F6X20         | PIC18F8X20 | --00 0000                          | --00 0000   | --uu uuuu                       |
| CCPR3H   | PIC18F6X20         | PIC18F8X20 | xxxx xxxx                          | uuuu uuuu   | uuuu uuuu                       |
| CCPR3L   | PIC18F6X20         | PIC18F8X20 | xxxx xxxx                          | uuuu uuuu   | uuuu uuuu                       |
| CCP3CON  | PIC18F6X20         | PIC18F8X20 | 0000 0000                          | 0000 0000   | uuuu uuuu                       |
| CVRCON   | PIC18F6X20         | PIC18F8X20 | 0000 0000                          | 0000 0000   | uuuu uuuu                       |
| CMCON    | PIC18F6X20         | PIC18F8X20 | 0000 0000                          | 0000 0000   | uuuu uuuu                       |
| TMR3H    | PIC18F6X20         | PIC18F8X20 | xxxx xxxx                          | uuuu uuuu   | uuuu uuuu                       |
| TMR3L    | PIC18F6X20         | PIC18F8X20 | xxxx xxxx                          | uuuu uuuu   | uuuu uuuu                       |
| T3CON    | PIC18F6X20         | PIC18F8X20 | 0000 0000                          | uuuu uuuu   | uuuu uuuu                       |
| PSPCON   | PIC18F6X20         | PIC18F8X20 | 0000 ----                          | 0000 ----   | uuuu ----                       |
| SPBRG1   | PIC18F6X20         | PIC18F8X20 | 0000 0000                          | 0000 0000   | uuuu uuuu                       |
| RCREG1   | PIC18F6X20         | PIC18F8X20 | 0000 0000                          | 0000 0000   | uuuu uuuu                       |
| TXREG1   | PIC18F6X20         | PIC18F8X20 | 0000 0000                          | 0000 0000   | uuuu uuuu                       |
| TXSTA1   | PIC18F6X20         | PIC18F8X20 | 0000 -010                          | 0000 -010   | uuuu -uuu                       |
| RCSTA1   | PIC18F6X20         | PIC18F8X20 | 0000 000x                          | 0000 000x   | uuuu uuuu                       |
| EEADRH   | PIC18F6X20         | PIC18F8X20 | ---- --00                          | ---- --00   | ---- --uu                       |
| EEADR    | PIC18F6X20         | PIC18F8X20 | 0000 0000                          | 0000 0000   | uuuu uuuu                       |
| EEDATA   | PIC18F6X20         | PIC18F8X20 | 0000 0000                          | 0000 0000   | uuuu uuuu                       |
| EECON2   | PIC18F6X20         | PIC18F8X20 | ---- ----                          | ---- ----   | ---- ----                       |
| EECON1   | PIC18F6X20         | PIC18F8X20 | xx-0 x000                          | uu-0 u000   | uu-0 u000                       |

**Legend:** u = unchanged, x = unknown, - = unimplemented bit, read as '0', q = value depends on condition.  
Shaded cells indicate conditions do not apply for the designated device.

- Note 1:** One or more bits in the INTCONx or PIRx registers will be affected (to cause wake-up).
- 2:** When the wake-up is due to an interrupt and the GIEL or GIEH bit is set, the PC is loaded with the interrupt vector (0008h or 0018h).
  - 3:** When the wake-up is due to an interrupt and the GIEL or GIEH bit is set, the TOSU, TOSH and TOSL are updated with the current value of the PC. The STKPTR is modified to point to the next location in the hardware stack.
  - 4:** See Table 3-2 for Reset value for specific condition.
  - 5:** Bit 6 of PORTA, LATA and TRISA are enabled in ECIO and RCIO Oscillator modes only. In all other oscillator modes, they are disabled and read '0'.
  - 6:** Bit 6 of PORTA, LATA and TRISA are not available on all devices. When unimplemented, they are read '0'.

# PIC18F6520/8520/6620/8620/6720/8720

**TABLE 3-3: INITIALIZATION CONDITIONS FOR ALL REGISTERS (CONTINUED)**

| Register               | Applicable Devices |            | Power-on Reset,<br>Brown-out Reset | MCLR Resets<br>WDT Reset<br>RESET Instruction<br>Stack Resets | Wake-up via WDT<br>or Interrupt |
|------------------------|--------------------|------------|------------------------------------|---|---------------------------------|
| IPR3                   | PIC18F6X20         | PIC18F8X20 | --11 1111                          | --11 1111   | --uu uuuu                       |
| PIR3                   | PIC18F6X20         | PIC18F8X20 | --00 0000                          | --00 0000   | --uu uuuu                       |
| PIE3                   | PIC18F6X20         | PIC18F8X20 | --00 0000                          | --00 0000   | --uu uuuu                       |
| IPR2                   | PIC18F6X20         | PIC18F8X20 | -1-1 1111                          | -1-1 1111   | -u-u uuuu                       |
| PIR2                   | PIC18F6X20         | PIC18F8X20 | -0-0 0000                          | -0-0 0000   | -u-u uuuu <sup>(1)</sup>        |
| PIE2                   | PIC18F6X20         | PIC18F8X20 | -0-0 0000                          | -0-0 0000   | -u-u uuuu                       |
| IPR1                   | PIC18F6X20         | PIC18F8X20 | 0111 1111                          | 0111 1111   | uuuu uuuu                       |
| PIR1                   | PIC18F6X20         | PIC18F8X20 | 0000 0000                          | 0000 0000   | uuuu uuuu <sup>(1)</sup>        |
| PIE1                   | PIC18F6X20         | PIC18F8X20 | 0000 0000                          | 0000 0000   | uuuu uuuu                       |
| MEMCON                 | PIC18F6X20         | PIC18F8X20 | 0-00 --00                          | 0-00 --00   | u-uu --uu                       |
| TRISJ                  | PIC18F6X20         | PIC18F8X20 | 1111 1111                          | 1111 1111   | uuuu uuuu                       |
| TRISH                  | PIC18F6X20         | PIC18F8X20 | 1111 1111                          | 1111 1111   | uuuu uuuu                       |
| TRISG                  | PIC18F6X20         | PIC18F8X20 | ---1 1111                          | ---1 1111   | ---u uuuu                       |
| TRISF                  | PIC18F6X20         | PIC18F8X20 | 1111 1111                          | 1111 1111   | uuuu uuuu                       |
| TRISE                  | PIC18F6X20         | PIC18F8X20 | 1111 1111                          | 1111 1111   | uuuu uuuu                       |
| TRISD                  | PIC18F6X20         | PIC18F8X20 | 1111 1111                          | 1111 1111   | uuuu uuuu                       |
| TRISC                  | PIC18F6X20         | PIC18F8X20 | 1111 1111                          | 1111 1111   | uuuu uuuu                       |
| TRISB                  | PIC18F6X20         | PIC18F8X20 | 1111 1111                          | 1111 1111   | uuuu uuuu                       |
| TRISA <sup>(5,6)</sup> | PIC18F6X20         | PIC18F8X20 | -111 1111 <sup>(5)</sup>           | -111 1111 <sup>(5)</sup>                                      | -uuu uuuu <sup>(5)</sup>        |
| LATJ                   | PIC18F6X20         | PIC18F8X20 | xxxx xxxx                          | uuuu uuuu   | uuuu uuuu                       |
| LATH                   | PIC18F6X20         | PIC18F8X20 | xxxx xxxx                          | uuuu uuuu   | uuuu uuuu                       |
| LATG                   | PIC18F6X20         | PIC18F8X20 | --x xxxx                           | ---u uuuu   | ---u uuuu                       |
| LATF                   | PIC18F6X20         | PIC18F8X20 | xxxx xxxx                          | uuuu uuuu   | uuuu uuuu                       |
| LATE                   | PIC18F6X20         | PIC18F8X20 | xxxx xxxx                          | uuuu uuuu   | uuuu uuuu                       |
| LATD                   | PIC18F6X20         | PIC18F8X20 | xxxx xxxx                          | uuuu uuuu   | uuuu uuuu                       |
| LATC                   | PIC18F6X20         | PIC18F8X20 | xxxx xxxx                          | uuuu uuuu   | uuuu uuuu                       |
| LATB                   | PIC18F6X20         | PIC18F8X20 | xxxx xxxx                          | uuuu uuuu   | uuuu uuuu                       |
| LATA <sup>(5,6)</sup>  | PIC18F6X20         | PIC18F8X20 | -xxx xxxx <sup>(5)</sup>           | -uuu uuuu <sup>(5)</sup>                                      | -uuu uuuu <sup>(5)</sup>        |

**Legend:** u = unchanged, x = unknown, - = unimplemented bit, read as '0', q = value depends on condition. Shaded cells indicate conditions do not apply for the designated device.

- Note 1:** One or more bits in the INTCONx or PIRx registers will be affected (to cause wake-up).
- 2:** When the wake-up is due to an interrupt and the GIEL or GIEH bit is set, the PC is loaded with the interrupt vector (0008h or 0018h).
- 3:** When the wake-up is due to an interrupt and the GIEL or GIEH bit is set, the TOSU, TOSH and TOSL are updated with the current value of the PC. The STKPTR is modified to point to the next location in the hardware stack.
- 4:** See Table 3-2 for Reset value for specific condition.
- 5:** Bit 6 of PORTA, LATA and TRISA are enabled in ECIO and RCIO Oscillator modes only. In all other oscillator modes, they are disabled and read '0'.
- 6:** Bit 6 of PORTA, LATA and TRISA are not available on all devices. When unimplemented, they are read '0'.

# PIC18F6520/8520/6620/8620/6720/8720

**TABLE 3-3: INITIALIZATION CONDITIONS FOR ALL REGISTERS (CONTINUED)**

| Register               | Applicable Devices |            | Power-on Reset,<br>Brown-out Reset | MCLR Resets<br>WDT Reset<br>RESET Instruction<br>Stack Resets | Wake-up via WDT<br>or Interrupt |
|------------------------|--------------------|------------|------------------------------------|---|---------------------------------|
| PORTJ                  | PIC18F6X20         | PIC18F8X20 | xxxx xxxx                          | uuuu uuuu   | uuuu uuuu                       |
| PORTH                  | PIC18F6X20         | PIC18F8X20 | 0000 xxxx                          | 0000 uuuu   | uuuu uuuu                       |
| PORTG                  | PIC18F6X20         | PIC18F8X20 | --x-xxxx                           | uuuu uuuu   | --u uuuu                        |
| PORTF                  | PIC18F6X20         | PIC18F8X20 | x000 0000                          | u000 0000   | u000 0000                       |
| PORTE                  | PIC18F6X20         | PIC18F8X20 | xxxx xxxx                          | uuuu uuuu   | uuuu uuuu                       |
| PORTD                  | PIC18F6X20         | PIC18F8X20 | xxxx xxxx                          | uuuu uuuu   | uuuu uuuu                       |
| PORTC                  | PIC18F6X20         | PIC18F8X20 | xxxx xxxx                          | uuuu uuuu   | uuuu uuuu                       |
| PORTB                  | PIC18F6X20         | PIC18F8X20 | xxxx xxxx                          | uuuu uuuu   | uuuu uuuu                       |
| PORTA <sup>(5,6)</sup> | PIC18F6X20         | PIC18F8X20 | -x0x 0000 <sup>(5)</sup>           | -u0u 0000 <sup>(5)</sup>                                      | -uuu uuuu <sup>(5)</sup>        |
| TMR4                   | PIC18F6X20         | PIC18F8X20 | 0000 0000                          | 0000 0000   | uuuu uuuu                       |
| PR4                    | PIC18F6X20         | PIC18F8X20 | 1111 1111                          | 1111 1111   | uuuu uuuu                       |
| T4CON                  | PIC18F6X20         | PIC18F8X20 | -000 0000                          | -000 0000   | -uuu uuuu                       |
| CCPR4H                 | PIC18F6X20         | PIC18F8X20 | xxxx xxxx                          | uuuu uuuu   | uuuu uuuu                       |
| CCPR4L                 | PIC18F6X20         | PIC18F8X20 | xxxx xxxx                          | uuuu uuuu   | uuuu uuuu                       |
| CCP4CON                | PIC18F6X20         | PIC18F8X20 | 0000 0000                          | 0000 0000   | uuuu uuuu                       |
| CCPR5H                 | PIC18F6X20         | PIC18F8X20 | xxxx xxxx                          | uuuu uuuu   | uuuu uuuu                       |
| CCPR5L                 | PIC18F6X20         | PIC18F8X20 | xxxx xxxx                          | uuuu uuuu   | uuuu uuuu                       |
| CCP5CON                | PIC18F6X20         | PIC18F8X20 | 0000 0000                          | 0000 0000   | uuuu uuuu                       |
| SPBRG2                 | PIC18F6X20         | PIC18F8X20 | 0000 0000                          | 0000 0000   | uuuu uuuu                       |
| RCREG2                 | PIC18F6X20         | PIC18F8X20 | 0000 0000                          | 0000 0000   | uuuu uuuu                       |
| TXREG2                 | PIC18F6X20         | PIC18F8X20 | 0000 0000                          | 0000 0000   | uuuu uuuu                       |
| TXSTA2                 | PIC18F6X20         | PIC18F8X20 | 0000 -010                          | 0000 -010   | uuuu -uuu                       |
| RCSTA2                 | PIC18F6X20         | PIC18F8X20 | 0000 000x                          | 0000 000x   | uuuu uuuu                       |

**Legend:** u = unchanged, x = unknown, - = unimplemented bit, read as '0', α = value depends on condition.  
Shaded cells indicate conditions do not apply for the designated device.

- Note 1:** One or more bits in the INTCONx or PIRx registers will be affected (to cause wake-up).
- 2:** When the wake-up is due to an interrupt and the GIEL or GIEH bit is set, the PC is loaded with the interrupt vector (0008h or 0018h).
- 3:** When the wake-up is due to an interrupt and the GIEL or GIEH bit is set, the TOSU, TOSH and TOSL are updated with the current value of the PC. The STKPTR is modified to point to the next location in the hardware stack.
- 4:** See Table 3-2 for Reset value for specific condition.
- 5:** Bit 6 of PORTA, LATA and TRISA are enabled in ECIO and RCIO Oscillator modes only. In all other oscillator modes, they are disabled and read '0'.
- 6:** Bit 6 of PORTA, LATA and TRISA are not available on all devices. When unimplemented, they are read '0'.

# PIC18F6520/8520/6620/8620/6720/8720

**FIGURE 3-3: TIME-OUT SEQUENCE ON POWER-UP ( $\overline{\text{MCLR}}$  TIED TO  $V_{\text{DD}}$  VIA 1 k $\Omega$  RESISTOR)**



**FIGURE 3-4: TIME-OUT SEQUENCE ON POWER-UP ( $\overline{\text{MCLR}}$  NOT TIED TO  $V_{\text{DD}}$ ): CASE 1**



**FIGURE 3-5: TIME-OUT SEQUENCE ON POWER-UP ( $\overline{\text{MCLR}}$  NOT TIED TO  $V_{\text{DD}}$ ): CASE 2**



# PIC18F6520/8520/6620/8620/6720/8720

**FIGURE 3-6: SLOW RISE TIME ( $\overline{\text{MCLR}}$  TIED TO  $V_{\text{DD}}$  VIA 1 k $\Omega$  RESISTOR)**



**FIGURE 3-7: TIME-OUT SEQUENCE ON POR W/PLL ENABLED ( $\overline{\text{MCLR}}$  TIED TO  $V_{\text{DD}}$  VIA 1 k $\Omega$  RESISTOR)**



# PIC18F6520/8520/6620/8620/6720/8720

## 4.0 MEMORY ORGANIZATION

There are three memory blocks in PIC18FXX20 devices. They are:

- Program Memory
- Data RAM
- Data EEPROM

Data and program memory use separate busses, which allows for concurrent access of these blocks. Additional detailed information for Flash program memory and data EEPROM is provided in **Section 5.0 “Flash Program Memory”** and **Section 7.0 “Data EEPROM Memory”**, respectively.

In addition to on-chip Flash, the PIC18F8X20 devices are also capable of accessing external program memory through an external memory bus. Depending on the selected operating mode (discussed in **Section 4.1.1 “PIC18F8X20 Program Memory Modes”**), the controllers may access either internal or external program memory exclusively, or both internal and external memory in selected blocks. Additional information on the External Memory Interface is provided in **Section 6.0 “External Memory Interface”**.

### 4.1 Program Memory Organization

A 21-bit program counter is capable of addressing the 2-Mbyte program memory space. Accessing a location between the physically implemented memory and the 2-Mbyte address will cause a read of all '0's (a NOP instruction).

Devices in the PIC18FXX20 family can be divided into three groups, based on program memory size. The PIC18FX520 devices (PIC18F6520 and PIC18F8520) have 32 Kbytes of on-chip Flash memory, equivalent to 16,384 single-word instructions. The PIC18FX620 devices (PIC18F6620 and PIC18F8620) have 64 Kbytes of on-chip Flash memory, equivalent to 32,768 single-word instructions. Finally, the PIC18FX720 devices (PIC18F6720 and PIC18F8720) have 128 Kbytes of on-chip Flash memory, equivalent to 65,536 single-word instructions.

For all devices, the Reset vector address is at 0000h and the interrupt vector addresses are at 0008h and 0018h.

The program memory maps for all of the PIC18FXX20 devices are compared in Figure 4-1.

### 4.1.1 PIC18F8X20 PROGRAM MEMORY MODES

PIC18F8X20 devices differ significantly from their PIC18 predecessors in their utilization of program memory. In addition to available on-chip Flash program memory, these controllers can also address up to 2 Mbytes of external program memory through the External Memory Interface. There are four distinct operating modes available to the controllers:

- Microprocessor (MP)
- Microprocessor with Boot Block (MPBB)
- Extended Microcontroller (EMC)
- Microcontroller (MC)

The Program Memory mode is determined by setting the two Least Significant bits of the CONFIG3L configuration byte, as shown in Register 4-1. (See also **Section 23.1 “Configuration Bits”** for additional details on the device configuration bits.)

The Program Memory modes operate as follows:

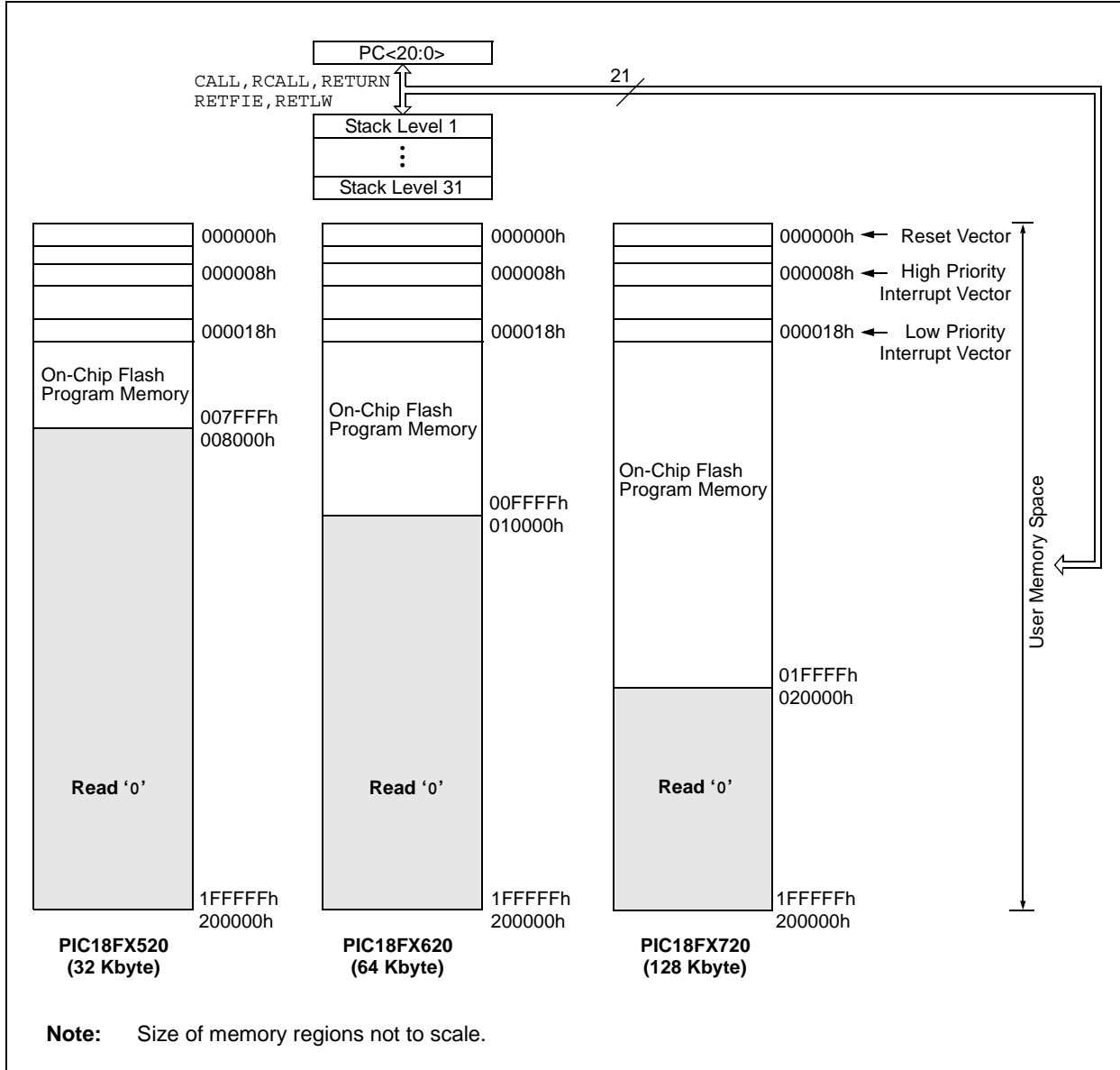
- The **Microprocessor Mode** permits access only to external program memory; the contents of the on-chip Flash memory are ignored. The 21-bit program counter permits access to a 2-Mbyte linear program memory space.
- The **Microprocessor with Boot Block Mode** accesses on-chip Flash memory from addresses 000000h to 0007FFh for PIC18F8520 devices and from 000000h to 0001FFh for PIC18F8620 and PIC18F8720 devices. Above this, external program memory is accessed all the way up to the 2-Mbyte limit. Program execution automatically switches between the two memories, as required.
- The **Microcontroller Mode** accesses only on-chip Flash memory. Attempts to read above the physical limit of the on-chip Flash (7FFFh for the PIC18F8520, 0FFFFh for the PIC18F8620, 1FFFFh for the PIC18F8720) causes a read of all '0's (a NOP instruction). The Microcontroller mode is also the only operating mode available to PIC18F6X20 devices.
- The **Extended Microcontroller Mode** allows access to both internal and external program memories as a single block. The device can access its entire on-chip Flash memory; above this, the device accesses external program memory up to the 2-Mbyte program space limit. As with Boot Block mode, execution automatically switches between the two memories, as required.

In all modes, the microcontroller has complete access to data RAM and EEPROM.

Figure 4-2 compares the memory maps of the different Program Memory modes. The differences between on-chip and external memory access limitations are more fully explained in Table 4-1.

# PIC18F6520/8520/6620/8620/6720/8720

**FIGURE 4-1: INTERNAL PROGRAM MEMORY MAP AND STACK FOR PIC18FXX20 DEVICES**



**TABLE 4-1: MEMORY ACCESS FOR PIC18F8X20 PROGRAM MEMORY MODES**

| Operating Mode                 | Internal Program Memory |                 |                | External Program Memory |                 |                |
|--------------------------------|-------------------------|-----------------|----------------|-------------------------|-----------------|----------------|
|                                | Execution From          | Table Read From | Table Write To | Execution From          | Table Read From | Table Write To |
| Microprocessor                 | No Access               | No Access       | No Access      | Yes                     | Yes             | Yes            |
| Microprocessor with Boot Block | Yes                     | Yes             | Yes            | Yes                     | Yes             | Yes            |
| Microcontroller                | Yes                     | Yes             | Yes            | No Access               | No Access       | No Access      |
| Extended Microcontroller       | Yes                     | Yes             | Yes            | Yes                     | Yes             | Yes            |



# PIC18F6520/8520/6620/8620/6720/8720

**REGISTER 4-1: CONFIG3L CONFIGURATION BYTE**

|       |     |     |     |     |     |       |       |
|-------|-----|-----|-----|-----|-----|-------|-------|
| R/P-1 | U-0 | U-0 | U-0 | U-0 | U-0 | R/P-1 | R/P-1 |
| WAIT  | —   | —   | —   | —   | —   | PM1   | PM0   |
| bit 7 |     |     |     |     |     |       | bit 0 |

- bit 7 **WAIT:** External Bus Data Wait Enable bit  
1 = Wait selections unavailable, device will not wait  
0 = Wait programmed by WAIT1 and WAIT0 bits of MEMCOM register (MEMCOM<5:4>)
- bit 6-2 **Unimplemented:** Read as '0'
- bit 1-0 **PM1:PM0:** Processor Data Memory Mode Select bits  
11 = Microcontroller mode  
10 = Microprocessor mode  
01 = Microcontroller with Boot Block mode  
00 = Extended Microcontroller mode

|                         |                      |                                    |                    |
|-------------------------|----------------------|------------------------------------|--------------------|
| <b>Legend:</b>          |                      |                                    |                    |
| R = Readable bit        | P = Programmable bit | U = Unimplemented bit, read as '0' |                    |
| - n = Value after erase | '1' = Bit is set     | '0' = Bit is cleared               | x = Bit is unknown |

**FIGURE 4-2: MEMORY MAPS FOR PIC18F8X20 PROGRAM MEMORY MODES**



# PIC18F6520/8520/6620/8620/6720/8720

## 4.2 Return Address Stack

The return address stack allows any combination of up to 31 program calls and interrupts to occur. The PC (Program Counter) is pushed onto the stack when a `CALL` or `RCALL` instruction is executed, or an interrupt is Acknowledged. The PC value is pulled off the stack on a `RETURN`, `RETLW` or a `RETFIE` instruction. `PCLATU` and `PCLATH` are not affected by any of the `RETURN` or `CALL` instructions.

The stack operates as a 31-word by 21-bit RAM and a 5-bit stack pointer, with the stack pointer initialized to 00000b after all Resets. There is no RAM associated with stack pointer 00000b. This is only a Reset value. During a `CALL` type instruction, causing a push onto the stack, the stack pointer is first incremented and the RAM location pointed to by the stack pointer is written with the contents of the PC. During a `RETURN` type instruction, causing a pop from the stack, the contents of the RAM location pointed to by the `STKPTR` are transferred to the PC and then the stack pointer is decremented.

The stack space is not part of either program or data space. The stack pointer is readable and writable and the address on the top of the stack is readable and writable through SFR registers. Data can also be pushed to, or popped from the stack using the top-of-stack SFRs. Status bits indicate if the stack pointer is at, or beyond the 31 levels provided.

### 4.2.1 TOP-OF-STACK ACCESS

The top of the stack is readable and writable. Three register locations, `TOSU`, `TOSH` and `TOSL`, hold the contents of the stack location pointed to by the `STKPTR` register. This allows users to implement a software stack if necessary. After a `CALL`, `RCALL` or interrupt, the software can read the pushed value by reading the `TOSU`, `TOSH` and `TOSL` registers. These values can be placed on a user defined software stack. At return time, the software can replace the `TOSU`, `TOSH` and `TOSL` and do a return.

The user must disable the global interrupt enable bits during this time to prevent inadvertent stack operations.

### 4.2.2 RETURN STACK POINTER (STKPTR)

The `STKPTR` register contains the stack pointer value, the `STKFUL` (Stack Full) status bit and the `STKUNF` (Stack Underflow) status bits. Register 4-2 shows the `STKPTR` register. The value of the stack pointer can be 0 through 31. The stack pointer increments when values are pushed onto the stack and decrements when values are popped off the stack. At Reset, the stack pointer value will be '0'. The user may read and write the stack pointer value. This feature can be used by a Real-Time Operating System for return stack maintenance.

After the PC is pushed onto the stack 31 times (without popping any values off the stack), the `STKFUL` bit is set. The `STKFUL` bit can only be cleared in software or by a POR.

The action that takes place when the stack becomes full, depends on the state of the `STVREN` (Stack Overflow Reset Enable) configuration bit. Refer to **Section 24.0 "Instruction Set Summary"** for a description of the device configuration bits. If `STVREN` is set (default), the 31st push will push the `(PC + 2)` value onto the stack, set the `STKFUL` bit and reset the device. The `STKFUL` bit will remain set and the stack pointer will be set to '0'.

If `STVREN` is cleared, the `STKFUL` bit will be set on the 31st push and the stack pointer will increment to 31. Any additional pushes will not overwrite the 31st push and `STKPTR` will remain at 31.

When the stack has been popped enough times to unload the stack, the next pop will return a value of zero to the PC and sets the `STKUNF` bit, while the stack pointer remains at '0'. The `STKUNF` bit will remain set until cleared in software or a POR occurs.

**Note:** Returning a value of zero to the PC on an underflow has the effect of vectoring the program to the Reset vector, where the stack conditions can be verified and appropriate actions can be taken.

# PIC18F6520/8520/6620/8620/6720/8720

**REGISTER 4-2: STKPTR REGISTER**

| R/C-0                 | R/C-0                 | U-0 | R/W-0 | R/W-0 | R/W-0 | R/W-0 | R/W-0 |       |
|-----------------------|-----------------------|-----|-------|-------|-------|-------|-------|-------|
| STKFUL <sup>(1)</sup> | STKUNF <sup>(1)</sup> | —   | SP4   | SP3   | SP2   | SP1   | SP0   |       |
| bit 7                 |                       |     |       |       |       |       |       | bit 0 |

- bit 7 **STKFUL:** Stack Full Flag bit  
1 = Stack became full or overflowed  
0 = Stack has not become full or overflowed
- bit 6 **STKUNF:** Stack Underflow Flag bit  
1 = Stack underflow occurred  
0 = Stack underflow did not occur
- bit 5 **Unimplemented:** Read as '0'
- bit 4-0 **SP4:SP0:** Stack Pointer Location bits

**Note 1:** Bit 7 and bit 6 can only be cleared in user software or by a POR.

| Legend:            |                  |                                    |                    |
|--------------------|------------------|------------------------------------|--------------------|
| R = Readable bit   | W = Writable bit | U = Unimplemented bit, read as '0' |                    |
| - n = Value at POR | '1' = Bit is set | '0' = Bit is cleared               | x = Bit is unknown |

**FIGURE 4-3: RETURN ADDRESS STACK AND ASSOCIATED REGISTERS**



## 4.2.3 PUSH AND POP INSTRUCTIONS

Since the Top-of-Stack (TOS) is readable and writable, the ability to push values onto the stack and pull values off the stack, without disturbing normal program execution, is a desirable option. To push the current PC value onto the stack, a `PUSH` instruction can be executed. This will increment the stack pointer and load the current PC value onto the stack. TOSU, TOSH and TOSL can then be modified to place a return address on the stack.

The ability to pull the TOS value off of the stack and replace it with the value that was previously pushed onto the stack, without disturbing normal execution, is achieved by using the `POP` instruction. The `POP` instruction discards the current TOS by decrementing the stack pointer. The previous value pushed onto the stack then becomes the TOS value.

## 4.2.4 STACK FULL/UNDERFLOW RESETS

These Resets are enabled by programming the `STVREN` configuration bit. When the `STVREN` bit is disabled, a full or underflow condition will set the appropriate `STKFUL` or `STKUNF` bit, but not cause a device Reset. When the `STVREN` bit is enabled, a full or underflow condition will set the appropriate `STKFUL` or `STKUNF` bit and then cause a device Reset. The `STKFUL` or `STKUNF` bits are only cleared by the user software or a POR Reset.

# PIC18F6520/8520/6620/8620/6720/8720

## 4.3 Fast Register Stack

A “fast interrupt return” option is available for interrupts. A Fast Register Stack is provided for the Status, WREG and BSR registers and is only one in depth. The stack is not readable or writable and is loaded with the current value of the corresponding register when the processor vectors for an interrupt. The values in the registers are then loaded back into the working registers, if the `FAST RETURN` instruction is used to return from the interrupt.

A low or high priority interrupt source will push values into the stack registers. If both low and high priority interrupts are enabled, the stack registers cannot be used reliably for low priority interrupts. If a high priority interrupt occurs while servicing a low priority interrupt, the stack register values stored by the low priority interrupt will be overwritten.

If high priority interrupts are not disabled during low priority interrupts, users must save the key registers in software during a low priority interrupt.

If no interrupts are used, the fast register stack can be used to restore the Status, WREG and BSR registers at the end of a subroutine call. To use the fast register stack for a subroutine call, a `FAST CALL` instruction must be executed.

Example 4-1 shows a source code example that uses the fast register stack.

### EXAMPLE 4-1: FAST REGISTER STACK CODE EXAMPLE

```
CALL SUB1, FAST      ;STATUS, WREG, BSR
                    ;SAVED IN FAST REGISTER
                    ;STACK
.
.
SUB1 .
.
RETURN FAST        ;RESTORE VALUES SAVED
                    ;IN FAST REGISTER STACK
```

## 4.4 PCL, PCLATH and PCLATU

The program counter (PC) specifies the address of the instruction to fetch for execution. The PC is 21 bits wide. The low byte is called the PCL register; this register is readable and writable. The high byte is called the PCH register. This register contains the PC<15:8> bits and is not directly readable or writable; updates to the PCH register may be performed through the PCLATH register. The upper byte is called PCU. This register contains the PC<20:16> bits and is not directly readable or writable; updates to the PCU register may be performed through the PCLATU register.

The PC addresses bytes in the program memory. To prevent the PC from becoming misaligned with word instructions, the LSB of the PCL is fixed to a value of ‘0’. The PC increments by 2 to address sequential instructions in the program memory.

The `CALL`, `RCALL`, `GOTO` and program branch instructions write to the program counter directly. For these instructions, the contents of PCLATH and PCLATU are not transferred to the program counter.

The contents of PCLATH and PCLATU will be transferred to the program counter by an operation that writes PCL. Similarly, the upper two bytes of the program counter will be transferred to PCLATH and PCLATU by an operation that reads PCL. This is useful for computed offsets to the PC (see **Section 4.8.1 “Computed GOTO”**).

## 4.5 Clocking Scheme/Instruction Cycle

The clock input (from OSC1) is internally divided by four to generate four non-overlapping quadrature clocks, namely Q1, Q2, Q3 and Q4. Internally, the program counter (PC) is incremented every Q1, the instruction is fetched from the program memory and latched into the instruction register in Q4. The instruction is decoded and executed during the following Q1 through Q4. The clocks and instruction execution flow are shown in Figure 4-4.

FIGURE 4-4: CLOCK/INSTRUCTION CYCLE



# PIC18F6520/8520/6620/8620/6720/8720

## 4.6 Instruction Flow/Pipelining

An "Instruction Cycle" consists of four Q cycles (Q1, Q2, Q3 and Q4). The instruction fetch and execute are pipelined, such that fetch takes one instruction cycle, while decode and execute takes another instruction cycle. However, due to the pipelining, each instruction effectively executes in one cycle. If an instruction causes the program counter to change (e.g., GOTO), then two cycles are required to complete the instruction (Example 4-2).

A fetch cycle begins with the program counter (PC) incrementing in Q1.

In the execution cycle, the fetched instruction is latched into the "Instruction Register" (IR) in cycle Q1. This instruction is then decoded and executed during the Q2, Q3 and Q4 cycles. Data memory is read during Q2 (operand read) and written during Q4 (destination write).

**EXAMPLE 4-2: INSTRUCTION PIPELINE FLOW**

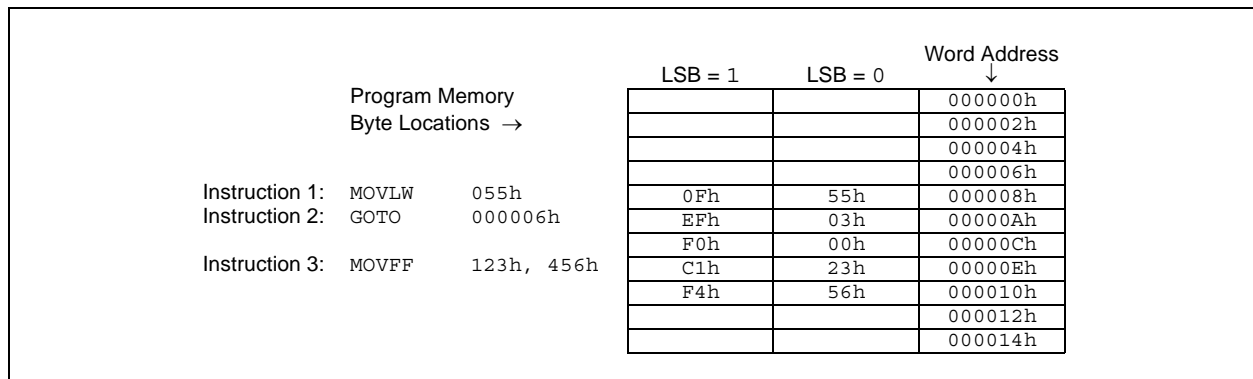


## 4.7 Instructions in Program Memory

The program memory is addressed in bytes. Instructions are stored as two bytes or four bytes in program memory. The Least Significant Byte of an instruction word is always stored in a program memory location with an even address (LSB = 0). Figure 4-5 shows an example of how instruction words are stored in the program memory. To maintain alignment with instruction boundaries, the PC increments in steps of 2 and the LSB will always read '0' (see Section 4.4 "PCL, PCLATH and PCLATU").

word boundaries, the data contained in the instruction is a word address. The word address is written to PC<20:1>, which accesses the desired byte address in program memory. Instruction #2 in Figure 4-5 shows how the instruction "GOTO 000006h" is encoded in the program memory. Program branch instructions, which encode a relative address offset, operate in the same manner. The offset value stored in a branch instruction represents the number of single-word instructions that the PC will be offset by. Section 24.0 "Instruction Set Summary" provides further details of the instruction set.

**FIGURE 4-5: INSTRUCTIONS IN PROGRAM MEMORY**



# PIC18F6520/8520/6620/8620/6720/8720

## 4.7.1 TWO-WORD INSTRUCTIONS

The PIC18FXX20 devices have four two-word instructions: `MOVFF`, `CALL`, `GOTO` and `LFSR`. The second word of these instructions has the 4 MSBs set to '1's and is a special kind of `NOP` instruction. The lower 12 bits of the second word contain data to be used by the instruction. If the first word of the instruction is executed, the data in the second word is accessed. If the second

word of the instruction is executed by itself (first word was skipped), it will execute as a `NOP`. This action is necessary when the two-word instruction is preceded by a conditional instruction that changes the PC. A program example that demonstrates this concept is shown in Example 4-3. Refer to **Section 24.0 "Instruction Set Summary"** for further details of the instruction set.

### EXAMPLE 4-3: TWO-WORD INSTRUCTIONS

| CASE 1:             |   |
|---------------------|---|
| Object Code         | Source Code                                       |
| 0110 0110 0000 0000 | TSTFSZ REG1 ; is RAM location 0?                  |
| 1100 0001 0010 0011 | MOVFF REG1, REG2 ; No, execute 2-word instruction |
| 1111 0100 0101 0110 | ; 2nd operand holds address of REG2               |
| 0010 0100 0000 0000 | ADDWF REG3 ; continue code                        |
| CASE 2:             |   |
| Object Code         | Source Code                                       |
| 0110 0110 0000 0000 | TSTFSZ REG1 ; is RAM location 0?                  |
| 1100 0001 0010 0011 | MOVFF REG1, REG2 ; Yes                            |
| 1111 0100 0101 0110 | ; 2nd operand becomes NOP                         |
| 0010 0100 0000 0000 | ADDWF REG3 ; continue code                        |

## 4.8 Look-up Tables

Look-up tables are implemented two ways. These are:

- Computed `GOTO`
- Table Reads

### 4.8.1 COMPUTED GOTO

A computed `GOTO` is accomplished by adding an offset to the program counter (`ADDWF PCL`).

A look-up table can be formed with an `ADDWF PCL` instruction and a group of `RETLW 0xnn` instructions. `WREG` is loaded with an offset into the table before executing a call to that table. The first instruction of the called routine is the `ADDWF PCL` instruction. The next instruction executed will be one of the `RETLW 0xnn` instructions, that returns the value `0xnn` to the calling function.

The offset value (value in `WREG`) specifies the number of bytes that the program counter should advance.

In this method, only one data byte may be stored in each instruction location and room on the return address stack is required.

### 4.8.2 TABLE READS/TABLE WRITES

A better method of storing data in program memory allows 2 bytes of data to be stored in each instruction location.

Look-up table data may be stored 2 bytes per program word by using table reads and writes. The Table Pointer (`TBLPTR`) specifies the byte address and the Table Latch (`TABLAT`) contains the data that is read from, or written to program memory. Data is transferred to/from program memory, one byte at a time.

A description of the table read/table write operation is shown in **Section 5.0 "Flash Program Memory"**.

## 4.9 Data Memory Organization

The data memory is implemented as static RAM. Each register in the data memory has a 12-bit address, allowing up to 4096 bytes of data memory. The data memory map is in turn divided into 16 banks of 256 bytes each. The lower 4 bits of the Bank Select Register (BSR<3:0>) select which bank will be accessed. The upper 4 bits of the BSR are not implemented.

The data memory space contains both Special Function Registers (SFR) and General Purpose Registers (GPR). The SFRs are used for control and status of the controller and peripheral functions, while GPRs are used for data storage and scratch pad operations in the user's application. The SFRs start at the last location of Bank 15 (0FFFh) and extend downwards. Any remaining space beyond the SFRs in the Bank may be implemented as GPRs. GPRs start at the first location of Bank 0 and grow upwards. Any read of an unimplemented location will read as '0's.

PIC18FX520 devices have 2048 bytes of data RAM, extending from Bank 0 to Bank 7 (000h through 7FFh). PIC18FX620 and PIC18FX720 devices have 3840 bytes of data RAM, extending from Bank 0 to Bank 14 (000h through EFFh). The organization of the data memory space for these devices is shown in Figure 4-6 and Figure 4-7.

The entire data memory may be accessed directly or indirectly. Direct addressing may require the use of the BSR register. Indirect addressing requires the use of a File Select Register (FSRn) and a corresponding Indirect File Operand (INDFn). Each FSR holds a 12-bit address value that can be used to access any location in the data memory map without banking.

The instruction set and architecture allow operations across all banks. This may be accomplished by indirect addressing, or by the use of the MOVFF instruction. The MOVFF instruction is a two-word/two-cycle instruction that moves a value from one register to another.

To ensure that commonly used registers (SFRs and select GPRs) can be accessed in a single cycle, regardless of the current BSR values, an Access Bank is implemented. A segment of Bank 0 and a segment of Bank 15 comprise the Access RAM. **Section 4.10 "Access Bank"** provides a detailed description of the Access RAM.

### 4.9.1 GENERAL PURPOSE REGISTER FILE

The register file can be accessed either directly or indirectly. Indirect addressing operates using a File Select Register and corresponding Indirect File Operand. The operation of indirect addressing is shown in **Section 4.12 "Indirect Addressing, INDF and FSR Registers"**.

Enhanced MCU devices may have banked memory in the GPR area. GPRs are not initialized by a Power-on Reset and are unchanged on all other Resets.

Data RAM is available for use as General Purpose Registers by all instructions. The top section of Bank 15 (F60h to FFFh) contains SFRs. All other banks of data memory contain GPR registers, starting with Bank 0.

### 4.9.2 SPECIAL FUNCTION REGISTERS

The Special Function Registers (SFRs) are registers used by the CPU and peripheral modules for controlling the desired operation of the device. These registers are implemented as static RAM. A list of these registers is given in Table 4-2 and Table 4-3.

The SFRs can be classified into two sets: those associated with the "core" function and those related to the peripheral functions. Those registers related to the "core" are described in this section, while those related to the operation of the peripheral features are described in the section of that peripheral feature. The SFRs are typically distributed among the peripherals whose functions they control.

The unused SFR locations are unimplemented and read as '0's. The addresses for the SFRs are listed in Table 4-2.

# PIC18F6520/8520/6620/8620/6720/8720

**FIGURE 4-6: DATA MEMORY MAP FOR PIC18FX520 DEVICES**





# PIC18F6520/8520/6620/8620/6720/8720

FIGURE 4-7: DATA MEMORY MAP FOR PIC18FX620 AND PIC18FX720 DEVICES



# PIC18F6520/8520/6620/8620/6720/8720

TABLE 4-2: SPECIAL FUNCTION REGISTER MAP

| Address | Name                    | Address | Name                    | Address | Name             | Address | Name                  |
|---------|-------------------------|---------|-------------------------|---------|------------------|---------|-----------------------|
| FFFh    | TOSU                    | FDfH    | INDF2 <sup>(3)</sup>    | FBFh    | CCPR1H           | F9Fh    | IPR1                  |
| FFEh    | TOSH                    | FDEh    | POSTINC2 <sup>(3)</sup> | FBEh    | CCPR1L           | F9Eh    | PIR1                  |
| FFDh    | TOSL                    | FDDh    | POSTDEC2 <sup>(3)</sup> | FBDh    | CCP1CON          | F9Dh    | PIE1                  |
| FFCh    | STKPTR                  | FDCh    | PREINC2 <sup>(3)</sup>  | FBCh    | CCPR2H           | F9Ch    | MEMCON <sup>(2)</sup> |
| FFBh    | PCLATU                  | FDBh    | PLUSW2 <sup>(3)</sup>   | FBHh    | CCPR2L           | F9Bh    | — <sup>(1)</sup>      |
| FFAh    | PCLATH                  | FDAh    | FSR2H                   | FBAh    | CCP2CON          | F9Ah    | TRISJ                 |
| FF9h    | PCL                     | FD9h    | FSR2L                   | FB9h    | CCPR3H           | F99h    | TRISH                 |
| FF8h    | TBLPTRU                 | FD8h    | STATUS                  | FB8h    | CCPR3L           | F98h    | TRISG                 |
| FF7h    | TBLPTRH                 | FD7h    | TMR0H                   | FB7h    | CCP3CON          | F97h    | TRISF                 |
| FF6h    | TBLPTRL                 | FD6h    | TMR0L                   | FB6h    | — <sup>(1)</sup> | F96h    | TRISE                 |
| FF5h    | TABLAT                  | FD5h    | T0CON                   | FB5h    | CVRCON           | F95h    | TRISD                 |
| FF4h    | PRODH                   | FD4h    | — <sup>(1)</sup>        | FB4h    | CMCON            | F94h    | TRISC                 |
| FF3h    | PRODL                   | FD3h    | OSCCON                  | FB3h    | TMR3H            | F93h    | TRISB                 |
| FF2h    | INTCON                  | FD2h    | LVDCON                  | FB2h    | TMR3L            | F92h    | TRISA                 |
| FF1h    | INTCON2                 | FD1h    | WDTCON                  | FB1h    | T3CON            | F91h    | LATJ                  |
| FF0h    | INTCON3                 | FD0h    | RCON                    | FB0h    | PSPCON           | F90h    | LATH                  |
| FEFh    | INDF0 <sup>(3)</sup>    | FCFh    | TMR1H                   | FAFh    | SPBRG1           | F8Fh    | LATG                  |
| FEeh    | POSTINC0 <sup>(3)</sup> | FCEh    | TMR1L                   | FAEh    | RCREG1           | F8Eh    | LATF                  |
| FEDh    | POSTDEC0 <sup>(3)</sup> | FCDh    | T1CON                   | FADh    | TXREG1           | F8Dh    | LATE                  |
| FECh    | PREINC0 <sup>(3)</sup>  | FCCh    | TMR2                    | FACH    | TXSTA1           | F8Ch    | LATD                  |
| FEbh    | PLUSW0 <sup>(3)</sup>   | FCBh    | PR2                     | FABh    | RCSTA1           | F8Bh    | LATC                  |
| FEAh    | FSR0H                   | FCAh    | T2CON                   | FAAh    | EEADRH           | F8Ah    | LATB                  |
| FE9h    | FSR0L                   | FC9h    | SSPBUF                  | FA9h    | EEADR            | F89h    | LATA                  |
| FE8h    | WREG                    | FC8h    | SSPADD                  | FA8h    | EEDATA           | F88h    | PORTJ                 |
| FE7h    | INDF1 <sup>(3)</sup>    | FC7h    | SSPSTAT                 | FA7h    | EECON2           | F87h    | PORTH                 |
| FE6h    | POSTINC1 <sup>(3)</sup> | FC6h    | SSPCON1                 | FA6h    | EECON1           | F86h    | PORTG                 |
| FE5h    | POSTDEC1 <sup>(3)</sup> | FC5h    | SSPCON2                 | FA5h    | IPR3             | F85h    | PORTF                 |
| FE4h    | PREINC1 <sup>(3)</sup>  | FC4h    | ADRESH                  | FA4h    | PIR3             | F84h    | PORTE                 |
| FE3h    | PLUSW1 <sup>(3)</sup>   | FC3h    | ADRESL                  | FA3h    | PIE3             | F83h    | PORTD                 |
| FE2h    | FSR1H                   | FC2h    | ADCON0                  | FA2h    | IPR2             | F82h    | PORTC                 |
| FE1h    | FSR1L                   | FC1h    | ADCON1                  | FA1h    | PIR2             | F81h    | PORTB                 |
| FE0h    | BSR                     | FC0h    | ADCON2                  | FA0h    | PIE2             | F80h    | PORTA                 |

**Note 1:** Unimplemented registers are read as '0'.

**Note 2:** This register is unused on PIC18F6X20 devices. Always maintain this register clear.

**Note 3:** This is not a physical register.

# PIC18F6520/8520/6620/8620/6720/8720

TABLE 4-2: SPECIAL FUNCTION REGISTER MAP (CONTINUED)

| Address | Name             | Address | Name             | Address | Name             | Address | Name             |
|---------|------------------|---------|------------------|---------|------------------|---------|------------------|
| F7Fh    | — <sup>(1)</sup> | F5Fh    | — <sup>(1)</sup> | F3Fh    | — <sup>(1)</sup> | F1Fh    | — <sup>(1)</sup> |
| F7Eh    | — <sup>(1)</sup> | F5Eh    | — <sup>(1)</sup> | F3Eh    | — <sup>(1)</sup> | F1Eh    | — <sup>(1)</sup> |
| F7Dh    | — <sup>(1)</sup> | F5Dh    | — <sup>(1)</sup> | F3Dh    | — <sup>(1)</sup> | F1Dh    | — <sup>(1)</sup> |
| F7Ch    | — <sup>(1)</sup> | F5Ch    | — <sup>(1)</sup> | F3Ch    | — <sup>(1)</sup> | F1Ch    | — <sup>(1)</sup> |
| F7Bh    | — <sup>(1)</sup> | F5Bh    | — <sup>(1)</sup> | F3Bh    | — <sup>(1)</sup> | F1Bh    | — <sup>(1)</sup> |
| F7Ah    | — <sup>(1)</sup> | F5Ah    | — <sup>(1)</sup> | F3Ah    | — <sup>(1)</sup> | F1Ah    | — <sup>(1)</sup> |
| F79h    | — <sup>(1)</sup> | F59h    | — <sup>(1)</sup> | F39h    | — <sup>(1)</sup> | F19h    | — <sup>(1)</sup> |
| F78h    | TMR4             | F58h    | — <sup>(1)</sup> | F38h    | — <sup>(1)</sup> | F18h    | — <sup>(1)</sup> |
| F77h    | PR4              | F57h    | — <sup>(1)</sup> | F37h    | — <sup>(1)</sup> | F17h    | — <sup>(1)</sup> |
| F76h    | T4CON            | F56h    | — <sup>(1)</sup> | F36h    | — <sup>(1)</sup> | F16h    | — <sup>(1)</sup> |
| F75h    | CCPR4H           | F55h    | — <sup>(1)</sup> | F35h    | — <sup>(1)</sup> | F15h    | — <sup>(1)</sup> |
| F74h    | CCPR4L           | F54h    | — <sup>(1)</sup> | F34h    | — <sup>(1)</sup> | F14h    | — <sup>(1)</sup> |
| F73h    | CCP4CON          | F53h    | — <sup>(1)</sup> | F33h    | — <sup>(1)</sup> | F13h    | — <sup>(1)</sup> |
| F72h    | CCPR5H           | F52h    | — <sup>(1)</sup> | F32h    | — <sup>(1)</sup> | F12h    | — <sup>(1)</sup> |
| F71h    | CCPR5L           | F51h    | — <sup>(1)</sup> | F31h    | — <sup>(1)</sup> | F11h    | — <sup>(1)</sup> |
| F70h    | CCP5CON          | F50h    | — <sup>(1)</sup> | F30h    | — <sup>(1)</sup> | F10h    | — <sup>(1)</sup> |
| F6Fh    | SPBRG2           | F4Fh    | — <sup>(1)</sup> | F2Fh    | — <sup>(1)</sup> | F0Fh    | — <sup>(1)</sup> |
| F6Eh    | RCREG2           | F4Eh    | — <sup>(1)</sup> | F2Eh    | — <sup>(1)</sup> | F0Eh    | — <sup>(1)</sup> |
| F6Dh    | TXREG2           | F4Dh    | — <sup>(1)</sup> | F2Dh    | — <sup>(1)</sup> | F0Dh    | — <sup>(1)</sup> |
| F6Ch    | TXSTA2           | F4Ch    | — <sup>(1)</sup> | F2Ch    | — <sup>(1)</sup> | F0Ch    | — <sup>(1)</sup> |
| F6Bh    | RCSTA2           | F4Bh    | — <sup>(1)</sup> | F2Bh    | — <sup>(1)</sup> | F0Bh    | — <sup>(1)</sup> |
| F6Ah    | — <sup>(1)</sup> | F4Ah    | — <sup>(1)</sup> | F2Ah    | — <sup>(1)</sup> | F0Ah    | — <sup>(1)</sup> |
| F69h    | — <sup>(1)</sup> | F49h    | — <sup>(1)</sup> | F29h    | — <sup>(1)</sup> | F09h    | — <sup>(1)</sup> |
| F68h    | — <sup>(1)</sup> | F48h    | — <sup>(1)</sup> | F28h    | — <sup>(1)</sup> | F08h    | — <sup>(1)</sup> |
| F67h    | — <sup>(1)</sup> | F47h    | — <sup>(1)</sup> | F27h    | — <sup>(1)</sup> | F07h    | — <sup>(1)</sup> |
| F66h    | — <sup>(1)</sup> | F46h    | — <sup>(1)</sup> | F26h    | — <sup>(1)</sup> | F06h    | — <sup>(1)</sup> |
| F65h    | — <sup>(1)</sup> | F45h    | — <sup>(1)</sup> | F25h    | — <sup>(1)</sup> | F05h    | — <sup>(1)</sup> |
| F64h    | — <sup>(1)</sup> | F44h    | — <sup>(1)</sup> | F24h    | — <sup>(1)</sup> | F04h    | — <sup>(1)</sup> |
| F63h    | — <sup>(1)</sup> | F43h    | — <sup>(1)</sup> | F23h    | — <sup>(1)</sup> | F03h    | — <sup>(1)</sup> |
| F62h    | — <sup>(1)</sup> | F42h    | — <sup>(1)</sup> | F22h    | — <sup>(1)</sup> | F02h    | — <sup>(1)</sup> |
| F61h    | — <sup>(1)</sup> | F41h    | — <sup>(1)</sup> | F21h    | — <sup>(1)</sup> | F01h    | — <sup>(1)</sup> |
| F60h    | — <sup>(1)</sup> | F40h    | — <sup>(1)</sup> | F20h    | — <sup>(1)</sup> | F00h    | — <sup>(1)</sup> |

- Note 1:** Unimplemented registers are read as '0'.  
**Note 2:** This register is not available on PIC18F6X20 devices.  
**Note 3:** This is not a physical register.

# PIC18F6520/8520/6620/8620/6720/8720

**TABLE 4-3: REGISTER FILE SUMMARY**

| File Name | Bit 7  | Bit 6     | Bit 5                 | Bit 4                                | Bit 3   | Bit 2  | Bit 1  | Bit 0  | Value on POR, BOR | Details on page: |        |
|-----------|--|-----------|-----------------------|--------------------------------------|---|--------|--------|--------|-------------------|------------------|--------|
| TOSU      | —  | —         | —                     | Top-of-Stack Upper Byte (TOS<20:16>) |   |        |        |        | ---0 0000         | 32, 42           |        |
| TOSH      | Top-of-Stack High Byte (TOS<15:8>)   |           |                       |                                      |   |        |        |        | 0000 0000         | 32, 42           |        |
| TOSL      | Top-of-Stack Low Byte (TOS<7:0>)   |           |                       |                                      |   |        |        |        | 0000 0000         | 32, 42           |        |
| STKPTR    | STKFUL   | STKUNF    | —                     | Return Stack Pointer                 |   |        |        |        | 00-0 0000         | 32, 43           |        |
| PCLATU    | —  | —         | bit 21                |                                      | Holding Register for PC<20:16>                          |        |        |        |                   | --10 0000        | 32, 44 |
| PCLATH    | Holding Register for PC<15:8>  |           |                       |                                      |   |        |        |        | 0000 0000         | 32, 44           |        |
| PCL       | PC Low Byte (PC<7:0>)  |           |                       |                                      |   |        |        |        | 0000 0000         | 32, 44           |        |
| TBLPTRU   | —  | —         | bit 21 <sup>(2)</sup> |                                      | Program Memory Table Pointer Upper Byte (TBLPTR<20:16>) |        |        |        |                   | --00 0000        | 32, 64 |
| TBLPTRH   | Program Memory Table Pointer High Byte (TBLPTR<15:8>)  |           |                       |                                      |   |        |        |        | 0000 0000         | 32, 64           |        |
| TBLPTRL   | Program Memory Table Pointer Low Byte (TBLPTR<7:0>)  |           |                       |                                      |   |        |        |        | 0000 0000         | 32, 64           |        |
| TABLAT    | Program Memory Table Latch   |           |                       |                                      |   |        |        |        | 0000 0000         | 32, 64           |        |
| PRODH     | Product Register High Byte   |           |                       |                                      |   |        |        |        | xxxx xxxx         | 32, 85           |        |
| PRODL     | Product Register Low Byte  |           |                       |                                      |   |        |        |        | xxxx xxxx         | 32, 85           |        |
| INTCON    | GIE/GIEH   | PEIE/GIEL | TMR0IE                | INT0IE                               | RBIE  | TMR0IF | INT0IF | RBIF   | 0000 0000         | 32, 89           |        |
| INTCON2   | RBPU   | INTEDG0   | INTEDG1               | INTEDG2                              | INTEDG3   | TMR0IP | INT3IP | RBIP   | 1111 1111         | 32, 90           |        |
| INTCON3   | INT2IP   | INT1IP    | INT3IE                | INT2IE                               | INT1IE  | INT3IF | INT2IF | INT1IF | 1100 0000         | 32, 91           |        |
| INDF0     | Uses contents of FSR0 to address data memory – value of FSR0 not changed (not a physical register)   |           |                       |                                      |   |        |        |        | n/a               | 57               |        |
| POSTINC0  | Uses contents of FSR0 to address data memory – value of FSR0 post-incremented (not a physical register)  |           |                       |                                      |   |        |        |        | n/a               | 57               |        |
| POSTDEC0  | Uses contents of FSR0 to address data memory – value of FSR0 post-decremented (not a physical register)  |           |                       |                                      |   |        |        |        | n/a               | 57               |        |
| PREINC0   | Uses contents of FSR0 to address data memory – value of FSR0 pre-incremented (not a physical register)   |           |                       |                                      |   |        |        |        | n/a               | 57               |        |
| PLUSW0    | Uses contents of FSR0 to address data memory – value of FSR0 pre-incremented (not a physical register) – value of FSR0 offset by value in WREG |           |                       |                                      |   |        |        |        | n/a               | 57               |        |
| FSR0H     | —  | —         | —                     | —                                    | Indirect Data Memory Address Pointer 0 High Byte        |        |        |        | ---- 0000         | 32, 57           |        |
| FSR0L     | Indirect Data Memory Address Pointer 0 Low Byte  |           |                       |                                      |   |        |        |        | xxxx xxxx         | 32, 57           |        |
| WREG      | Working Register   |           |                       |                                      |   |        |        |        | xxxx xxxx         | 32               |        |
| INDF1     | Uses contents of FSR1 to address data memory – value of FSR1 not changed (not a physical register)   |           |                       |                                      |   |        |        |        | n/a               | 57               |        |
| POSTINC1  | Uses contents of FSR1 to address data memory – value of FSR1 post-incremented (not a physical register)  |           |                       |                                      |   |        |        |        | n/a               | 57               |        |
| POSTDEC1  | Uses contents of FSR1 to address data memory – value of FSR1 post-decremented (not a physical register)  |           |                       |                                      |   |        |        |        | n/a               | 57               |        |
| PREINC1   | Uses contents of FSR1 to address data memory – value of FSR1 pre-incremented (not a physical register)   |           |                       |                                      |   |        |        |        | n/a               | 57               |        |
| PLUSW1    | Uses contents of FSR1 to address data memory – value of FSR1 pre-incremented (not a physical register) – value of FSR1 offset by value in WREG |           |                       |                                      |   |        |        |        | n/a               | 57               |        |
| FSR1H     | —  | —         | —                     | —                                    | Indirect Data Memory Address Pointer 1 High Byte        |        |        |        | ---- 0000         | 33, 57           |        |
| FSR1L     | Indirect Data Memory Address Pointer 1 Low Byte  |           |                       |                                      |   |        |        |        | xxxx xxxx         | 33, 57           |        |
| BSR       | —  | —         | —                     | —                                    | Bank Select Register                                    |        |        |        | ---- 0000         | 33, 56           |        |
| INDF2     | Uses contents of FSR2 to address data memory – value of FSR2 not changed (not a physical register)   |           |                       |                                      |   |        |        |        | n/a               | 57               |        |
| POSTINC2  | Uses contents of FSR2 to address data memory – value of FSR2 post-incremented (not a physical register)  |           |                       |                                      |   |        |        |        | n/a               | 57               |        |
| POSTDEC2  | Uses contents of FSR2 to address data memory – value of FSR2 post-decremented (not a physical register)  |           |                       |                                      |   |        |        |        | n/a               | 57               |        |

**Legend:** x = unknown, u = unchanged, – = unimplemented, □ = value depends on condition

**Note 1:** RA6 and associated bits are configured as port pins in RCIO and ECIO Oscillator modes only and read '0' in all other oscillator modes.

**2:** Bit 21 of the TBLPTRU allows access to the device configuration bits.

**3:** These registers are unused on PIC18F6X20 devices; always maintain these clear.

# PIC18F6520/8520/6620/8620/6720/8720

**TABLE 4-3: REGISTER FILE SUMMARY (CONTINUED)**

| File Name | Bit 7  | Bit 6    | Bit 5    | Bit 4    | Bit 3  | Bit 2           | Bit 1   | Bit 0   | Value on POR, BOR | Details on page: |
|-----------|--|----------|----------|----------|--|-----------------|---------|---------|-------------------|------------------|
| PREINC2   | Uses contents of FSR2 to address data memory – value of FSR2 pre-incremented (not a physical register)   |          |          |          |  |                 |         |         | n/a               | 57               |
| PLUSW2    | Uses contents of FSR2 to address data memory – value of FSR2 pre-incremented (not a physical register) – value of FSR2 offset by value in WREG |          |          |          |  |                 |         |         | n/a               | 57               |
| FSR2H     | —  | —        | —        | —        | Indirect Data Memory Address Pointer 2 High Byte |                 |         |         | ---- 0000         | 33, 57           |
| FSR2L     | Indirect Data Memory Address Pointer 2 Low Byte  |          |          |          |  |                 |         |         | xxxx xxxx         | 33, 57           |
| STATUS    | —  | —        | —        | N        | OV   | Z               | DC      | C       | --x xxxx          | 33, 59           |
| TMR0H     | Timer0 Register High Byte  |          |          |          |  |                 |         |         | 0000 0000         | 33, 133          |
| TMR0L     | Timer0 Register Low Byte   |          |          |          |  |                 |         |         | xxxx xxxx         | 33, 133          |
| T0CON     | TMR0ON   | T08BIT   | T0CS     | T0SE     | PSA  | T0PS2           | T0PS1   | T0PS0   | 1111 1111         | 33, 131          |
| OSCCON    | —  | —        | —        | —        | —  | —               | —       | SCS     | ---- --0          | 25, 33           |
| LVDCON    | —  | —        | IRVST    | LVDEN    | LVDL3  | LVDL2           | LVDL1   | LVDL0   | --00 0101         | 33, 235          |
| WDTCON    | —  | —        | —        | —        | —  | —               | —       | SWDTE   | ---- --0          | 33, 250          |
| RCON      | IPEN   | —        | —        | RI       | TO   | PD              | POR     | BOR     | 0--1 11qq         | 33, 60, 101      |
| TMR1H     | Timer1 Register High Byte  |          |          |          |  |                 |         |         | xxxx xxxx         | 33, 135          |
| TMR1L     | Timer1 Register Low Byte   |          |          |          |  |                 |         |         | xxxx xxxx         | 33, 135          |
| T1CON     | RD16   | —        | T1CKPS1  | T1CKPS0  | T1OSCEN  | T1SYN $\bar{C}$ | TMR1CS  | TMR1ON  | 0-00 0000         | 33, 135          |
| TMR2      | Timer2 Register  |          |          |          |  |                 |         |         | 0000 0000         | 33, 141          |
| PR2       | Timer2 Period Register   |          |          |          |  |                 |         |         | 1111 1111         | 33, 142          |
| T2CON     | —  | T2OUTPS3 | T2OUTPS2 | T2OUTPS1 | T2OUTPS0   | TMR2ON          | T2CKPS1 | T2CKPS0 | -000 0000         | 33, 141          |
| SSPBUF    | SSP Receive Buffer/Transmit Register   |          |          |          |  |                 |         |         | xxxx xxxx         | 33, 157          |
| SSPADD    | SSP Address Register in I <sup>2</sup> C Slave mode. SSP Baud Rate Reload Register in I <sup>2</sup> C Master mode.                            |          |          |          |  |                 |         |         | 0000 0000         | 33, 166          |
| SSPSTAT   | SMP  | CKE      | D/A      | P        | S  | R/W             | UA      | BF      | 0000 0000         | 33, 158          |
| SSPCON1   | WCOL   | SSPOV    | SSPEN    | CKP      | SSPM3  | SSPM2           | SSPM1   | SSPM0   | 0000 0000         | 33, 168          |
| SSPCON2   | GCEN   | ACKSTAT  | ACKDT    | ACKEN    | RCEN   | PEN             | RSEN    | SEN     | 0000 0000         | 33, 169          |
| ADRESH    | A/D Result Register High Byte  |          |          |          |  |                 |         |         | xxxx xxxx         | 34, 215          |
| ADRESL    | A/D Result Register Low Byte   |          |          |          |  |                 |         |         | xxxx xxxx         | 34, 215          |
| ADCON0    | —  | —        | CHS3     | CHS2     | CHS1   | CHS0            | GO/DONE | ADON    | --00 0000         | 34, 213          |
| ADCON1    | —  | —        | VCFG1    | VCFG0    | PCFG3  | PCFG2           | PCFG1   | PCFG0   | --00 0000         | 34, 214          |
| ADCON2    | ADFM   | —        | —        | —        | —  | ADCS2           | ADCS1   | ADCS0   | 0--- -000         | 34, 215          |
| CCPR1H    | Capture/Compare/PWM Register 1 High Byte   |          |          |          |  |                 |         |         | xxxx xxxx         | 34, 151, 152     |
| CCPR1L    | Capture/Compare/PWM Register 1 Low Byte  |          |          |          |  |                 |         |         | xxxx xxxx         | 34, 151, 152     |
| CCP1CON   | —  | —        | DC1B1    | DC1B0    | CCP1M3   | CCP1M2          | CCP1M1  | CCP1M0  | --00 0000         | 34, 149          |
| CCPR2H    | Capture/Compare/PWM Register 2 High Byte   |          |          |          |  |                 |         |         | xxxx xxxx         | 34, 151, 152     |
| CCPR2L    | Capture/Compare/PWM Register 2 Low Byte  |          |          |          |  |                 |         |         | xxxx xxxx         | 34, 151, 152     |
| CCP2CON   | —  | —        | DC2B1    | DC2B0    | CCP2M3   | CCP2M2          | CCP2M1  | CCP2M0  | --00 0000         | 34, 149          |

**Legend:** x = unknown, u = unchanged, — = unimplemented, q = value depends on condition

**Note 1:** RA6 and associated bits are configured as port pins in RCIO and ECIO Oscillator modes only and read '0' in all other oscillator modes.

**2:** Bit 21 of the TBLPTRU allows access to the device configuration bits.

**3:** These registers are unused on PIC18F6X20 devices; always maintain these clear.

# PIC18F6520/8520/6620/8620/6720/8720

**TABLE 4-3: REGISTER FILE SUMMARY (CONTINUED)**

| File Name             | Bit 7  | Bit 6                 | Bit 5                                     | Bit 4                                     | Bit 3  | Bit 2           | Bit 1                | Bit 0  | Value on POR, BOR | Details on page: |
|-----------------------|--|-----------------------|---|---|--------|-----------------|----------------------|--------|-------------------|------------------|
| CCPR3H                | Capture/Compare/PWM Register 3 High Byte                 |                       |   |   |        |                 |                      |        | xxxx xxxx         | 34, 151, 152     |
| CCPR3L                | Capture/Compare/PWM Register 3 Low Byte                  |                       |   |   |        |                 |                      |        | xxxx xxxx         | 34, 151, 152     |
| CCP3CON               | —  | —                     | DC3B1                                     | DC3B0                                     | CCP3M3 | CCP3M2          | CCP3M1               | CCP3M0 | --00 0000         | 34, 149          |
| CVRCON                | CVREN  | CVROE                 | CVRR                                      | CVRSS                                     | CVR3   | CVR2            | CVR1                 | CVR0   | 0000 0000         | 34, 229          |
| CMCON                 | C2OUT  | C1OUT                 | C2INV                                     | C1INV                                     | CIS    | CM2             | CM1                  | CM0    | 0000 0000         | 34, 223          |
| TMR3H                 | Timer3 Register High Byte                                |                       |   |   |        |                 |                      |        | xxxx xxxx         | 34, 143          |
| TMR3L                 | Timer3 Register Low Byte                                 |                       |   |   |        |                 |                      |        | xxxx xxxx         | 34, 143          |
| T3CON                 | RD16   | T3CCP2                | T3CKPS1                                   | T3CKPS0                                   | T3CCP1 | T3SYN $\bar{C}$ | TMR3CS               | TMR3ON | 0000 0000         | 34, 143          |
| PSPCON                | IBF  | OBF                   | IBOV                                      | PSPMODE                                   | —      | —               | —                    | —      | 0000 ----         | 34, 129          |
| SPBRG1                | USART1 Baud Rate Generator                               |                       |   |   |        |                 |                      |        | 0000 0000         | 34, 205          |
| RCREG1                | USART1 Receive Register                                  |                       |   |   |        |                 |                      |        | 0000 0000         | 34, 206          |
| TXREG1                | USART1 Transmit Register                                 |                       |   |   |        |                 |                      |        | 0000 0000         | 34, 204          |
| TXSTA1                | CSRC   | TX9                   | TXEN                                      | SYNC                                      | —      | BRGH            | TRMT                 | TX9D   | 0000 -010         | 34, 198          |
| RCSTA1                | SPEN   | RX9                   | SREN                                      | CREN                                      | ADDEN  | FERR            | OERR                 | RX9D   | 0000 000x         | 34, 199          |
| EEADRH                | —  | —                     | —   | —   | —      | —               | EE Adr Register High |        | ---- --00         | 34, 79           |
| EEADR                 | Data EEPROM Address Register                             |                       |   |   |        |                 |                      |        | 0000 0000         | 34, 79           |
| EEDATA                | Data EEPROM Data Register                                |                       |   |   |        |                 |                      |        | 0000 0000         | 34, 79           |
| EECON2                | Data EEPROM Control Register 2 (not a physical register) |                       |   |   |        |                 |                      |        | ---- ----         | 34, 79           |
| EECON1                | EEPGD  | CFGS                  | —   | FREE                                      | WRERR  | WREN            | WR                   | RD     | xx-0 x000         | 34, 80           |
| IPR3                  | —  | —                     | RC2IP                                     | TX2IP                                     | TMR4IP | CCP5IP          | CCP4IP               | CCP3IP | --11 1111         | 35, 100          |
| PIR3                  | —  | —                     | RC2IF                                     | TX2IF                                     | TMR4IF | CCP5IF          | CCP4IF               | CCP3IF | --00 0000         | 35, 94           |
| PIE3                  | —  | —                     | RC2IE                                     | TX2IE                                     | TMR4IE | CCP5IE          | CCP4IE               | CCP3IE | --00 0000         | 35, 97           |
| IPR2                  | —  | CMIP                  | —   | EEIP                                      | BCLIP  | LVDIP           | TMR3IP               | CCP2IP | -1-1 1111         | 35, 99           |
| PIR2                  | —  | CMIF                  | —   | EEIF                                      | BCLIF  | LVDIF           | TMR3IF               | CCP2IF | -0-0 0000         | 35, 93           |
| PIE2                  | —  | CMIE                  | —   | EEIE                                      | BCLIE  | LVDIE           | TMR3IE               | CCP2IE | -0-0 0000         | 35, 96           |
| IPR1                  | PSPIP  | ADIP                  | RCIP                                      | TXIP                                      | SSPIP  | CCP1IP          | TMR2IP               | TMR1IP | 0111 1111         | 35, 98           |
| PIR1                  | PSPIF  | ADIF                  | RCIF                                      | TXIF                                      | SSPIF  | CCP1IF          | TMR2IF               | TMR1IF | 0000 0000         | 35, 92           |
| PIE1                  | PSPIE  | ADIE                  | RCIE                                      | TXIE                                      | SSPIE  | CCP1IE          | TMR2IE               | TMR1IE | 0000 0000         | 35, 95           |
| MEMCON <sup>(3)</sup> | EBDIS  | —                     | WAIT1                                     | WAIT0                                     | —      | —               | WM1                  | WM0    | 0-00 --00         | 35, 71           |
| TRISJ <sup>(3)</sup>  | Data Direction Control Register for PORTJ                |                       |   |   |        |                 |                      |        | 1111 1111         | 35, 125          |
| TRISH <sup>(3)</sup>  | Data Direction Control Register for PORTH                |                       |   |   |        |                 |                      |        | 1111 1111         | 35, 122          |
| TRISG                 | —  | —                     | —   | Data Direction Control Register for PORTG |        |                 |                      | ---    | 1 1111            | 35, 120          |
| TRISF                 | Data Direction Control Register for PORTF                |                       |   |   |        |                 |                      |        | 1111 1111         | 35, 117          |
| TRISE                 | Data Direction Control Register for PORTE                |                       |   |   |        |                 |                      |        | 1111 1111         | 35, 114          |
| TRISD                 | Data Direction Control Register for PORTD                |                       |   |   |        |                 |                      |        | 1111 1111         | 35, 111          |
| TRISC                 | Data Direction Control Register for PORTC                |                       |   |   |        |                 |                      |        | 1111 1111         | 35, 109          |
| TRISB                 | Data Direction Control Register for PORTB                |                       |   |   |        |                 |                      |        | 1111 1111         | 35, 106          |
| TRISA                 | —  | TRISA6 <sup>(1)</sup> | Data Direction Control Register for PORTA |   |        |                 |                      | -111   | 1111              | 35, 103          |

**Legend:** x = unknown, u = unchanged, — = unimplemented,  $\bar{c}$  = value depends on condition

**Note 1:** RA6 and associated bits are configured as port pins in RCIO and ECIO Oscillator modes only and read '0' in all other oscillator modes.

**2:** Bit 21 of the TBLPTRU allows access to the device configuration bits.

**3:** These registers are unused on PIC18F6X20 devices; always maintain these clear.

# PIC18F6520/8520/6620/8620/6720/8720

**TABLE 4-3: REGISTER FILE SUMMARY (CONTINUED)**

| File Name            | Bit 7   | Bit 6                | Bit 5  | Bit 4   | Bit 3    | Bit 2  | Bit 1   | Bit 0   | Value on POR, BOR | Details on page: |
|----------------------|---|----------------------|--|---|----------|--------|---------|---------|-------------------|------------------|
| LATJ <sup>(3)</sup>  | Read PORTJ Data Latch, Write PORTJ Data Latch |                      |  |   |          |        |         |         | xxxx xxxx         | 35, 125          |
| LATH <sup>(3)</sup>  | Read PORTH Data Latch, Write PORTH Data Latch |                      |  |   |          |        |         |         | xxxx xxxx         | 35, 122          |
| LATG                 | —   | —                    | —  | Read PORTG Data Latch, Write PORTG Data Latch |          |        |         |         | --x-xxxx          | 35, 120          |
| LATF                 | Read PORTF Data Latch, Write PORTF Data Latch |                      |  |   |          |        |         |         | xxxx xxxx         | 35, 117          |
| LATE                 | Read PORTE Data Latch, Write PORTE Data Latch |                      |  |   |          |        |         |         | xxxx xxxx         | 35, 114          |
| LATD                 | Read PORTD Data Latch, Write PORTD Data Latch |                      |  |   |          |        |         |         | xxxx xxxx         | 35, 111          |
| LATC                 | Read PORTC Data Latch, Write PORTC Data Latch |                      |  |   |          |        |         |         | xxxx xxxx         | 35, 109          |
| LATB                 | Read PORTB Data Latch, Write PORTB Data Latch |                      |  |   |          |        |         |         | xxxx xxxx         | 35, 106          |
| LATA                 | —   | LATA6 <sup>(1)</sup> | Read PORTA Data Latch, Write PORTA Data Latch <sup>(1)</sup> |   |          |        |         |         | -xxx-xxxx         | 35, 103          |
| PORTJ <sup>(3)</sup> | Read PORTJ pins, Write PORTJ Data Latch       |                      |  |   |          |        |         |         | xxxx xxxx         | 36, 125          |
| PORTH <sup>(3)</sup> | Read PORTH pins, Write PORTH Data Latch       |                      |  |   |          |        |         |         | xxxx xxxx         | 36, 122          |
| PORTG                | —   | —                    | —  | Read PORTG pins, Write PORTG Data Latch       |          |        |         |         | --x-xxxx          | 36, 120          |
| PORTF                | Read PORTF pins, Write PORTF Data Latch       |                      |  |   |          |        |         |         | xxxx xxxx         | 36, 117          |
| PORTE                | Read PORTE pins, Write PORTE Data Latch       |                      |  |   |          |        |         |         | xxxx xxxx         | 36, 114          |
| PORTD                | Read PORTD pins, Write PORTD Data Latch       |                      |  |   |          |        |         |         | xxxx xxxx         | 36, 111          |
| PORTC                | Read PORTC pins, Write PORTC Data Latch       |                      |  |   |          |        |         |         | xxxx xxxx         | 36, 109          |
| PORTB                | Read PORTB pins, Write PORTB Data Latch       |                      |  |   |          |        |         |         | xxxx xxxx         | 36, 106          |
| PORTA                | —   | RA6 <sup>(1)</sup>   | Read PORTA pins, Write PORTA Data Latch <sup>(1)</sup>       |   |          |        |         |         | -x0x 0000         | 36, 103          |
| TMR4                 | Timer4 Register                               |                      |  |   |          |        |         |         | 0000 0000         | 36, 148          |
| PR4                  | Timer4 Period Register                        |                      |  |   |          |        |         |         | 1111 1111         | 36, 148          |
| T4CON                | —   | T4OUTPS3             | T4OUTPS2   | T4OUTPS1                                      | T4OUTPS0 | TMR4ON | T4CKPS1 | T4CKPS0 | -000 0000         | 36, 147          |
| CCPR4H               | Capture/Compare/PWM Register 4 High Byte      |                      |  |   |          |        |         |         | xxxx xxxx         | 36, 151, 152     |
| CCPR4L               | Capture/Compare/PWM Register 4 Low Byte       |                      |  |   |          |        |         |         | xxxx xxxx         | 36, 151, 152     |
| CCP4CON              | —   | —                    | DC4B1  | DC4B0   | CCP4M3   | CCP4M2 | CCP4M1  | CCP4M0  | 0000 0000         | 36, 149          |
| CCPR5H               | Capture/Compare/PWM Register 5 High Byte      |                      |  |   |          |        |         |         | xxxx xxxx         | 36, 151, 152     |
| CCPR5L               | Capture/Compare/PWM Register 5 Low Byte       |                      |  |   |          |        |         |         | xxxx xxxx         | 36, 151, 152     |
| CCP5CON              | —   | —                    | DC5B1  | DC5B0   | CCP5M3   | CCP5M2 | CCP5M1  | CCP5M0  | 0000 0000         | 36, 149          |
| SPBRG2               | USART2 Baud Rate Generator                    |                      |  |   |          |        |         |         | 0000 0000         | 36, 205          |
| RCREG2               | USART2 Receive Register                       |                      |  |   |          |        |         |         | 0000 0000         | 36, 206          |
| TXREG2               | USART2 Transmit Register                      |                      |  |   |          |        |         |         | 0000 0000         | 36, 204          |
| TXSTA2               | CSRC  | TX9                  | TXEN   | SYNC  | —        | BRGH   | TRMT    | TX9D    | 0000 -010         | 36, 198          |
| RCSTA2               | SPEN  | RX9                  | SREN   | CREN  | ADDEN    | FERR   | OERR    | RX9D    | 0000 000x         | 36, 199          |

**Legend:** x = unknown, u = unchanged, — = unimplemented, q = value depends on condition

**Note 1:** RA6 and associated bits are configured as port pins in RCIO and ECIO Oscillator modes only and read '0' in all other oscillator modes.

**2:** Bit 21 of the TBLPTRU allows access to the device configuration bits.

**3:** These registers are unused on PIC18F6X20 devices; always maintain these clear.

# PIC18F6520/8520/6620/8620/6720/8720

## 4.10 Access Bank

The Access Bank is an architectural enhancement, which is very useful for C compiler code optimization. The techniques used by the C compiler may also be useful for programs written in assembly.

This data memory region can be used for:

- Intermediate computational values
- Local variables of subroutines
- Faster context saving/switching of variables
- Common variables
- Faster evaluation/control of SFRs (no banking)

The Access Bank is comprised of the upper 160 bytes in Bank 15 (SFRs) and the lower 96 bytes in Bank 0. These two sections will be referred to as Access RAM High and Access RAM Low, respectively. Figure 4-7 indicates the Access RAM areas.

A bit in the instruction word specifies if the operation is to occur in the bank specified by the BSR register or in the Access Bank. This bit is denoted by the 'a' bit (for access bit).

When forced in the Access Bank ( $a = 0$ ), the last address in Access RAM Low is followed by the first address in Access RAM High. Access RAM High maps the Special Function Registers, so that these registers can be accessed without any software overhead. This is useful for testing status flags and modifying control bits.

## 4.11 Bank Select Register (BSR)

The need for a large general purpose memory space dictates a RAM banking scheme. The data memory is partitioned into sixteen banks. When using direct addressing, the BSR should be configured for the desired bank.

BSR<3:0> holds the upper 4 bits of the 12-bit RAM address. The BSR<7:4> bits will always read '0's and writes will have no effect.

A `MOVLB` instruction has been provided in the instruction set to assist in selecting banks.

If the currently selected bank is not implemented, any read will return all '0's and all writes are ignored. The Status register bits will be set/cleared as appropriate for the instruction performed.

Each Bank extends up to FFh (256 bytes). All data memory is implemented as static RAM.

A `MOVFF` instruction ignores the BSR, since the 12-bit addresses are embedded into the instruction word.

**Section 4.12 “Indirect Addressing, INDF and FSR Registers”** provides a description of indirect addressing, which allows linear addressing of the entire RAM space.

FIGURE 4-8: DIRECT ADDRESSING





## 4.12 Indirect Addressing, INDF and FSR Registers

Indirect addressing is a mode of addressing data memory, where the data memory address in the instruction is not fixed. An FSR register is used as a pointer to the data memory location that is to be read or written. Since this pointer is in RAM, the contents can be modified by the program. This can be useful for data tables in the data memory and for software stacks. Figure 4-9 shows the operation of indirect addressing. This shows the moving of the value to the data memory address, specified by the value of the FSR register.

Indirect addressing is possible by using one of the INDF registers. Any instruction using the INDF register actually accesses the register pointed to by the File Select Register, FSR. Reading the INDF register itself, indirectly (FSR = 0), will read 00h. Writing to the INDF register indirectly, results in a no operation. The FSR register contains a 12-bit address, which is shown in Figure 4-10.

The INDFn register is not a physical register. Addressing INDFn actually addresses the register whose address is contained in the FSRn register (FSRn is a pointer). This is indirect addressing.

Example 4-4 shows a simple use of indirect addressing to clear the RAM in Bank 1 (locations 100h-1FFh) in a minimum number of instructions.

### EXAMPLE 4-4: HOW TO CLEAR RAM (BANK 1) USING INDIRECT ADDRESSING

```

        LFSR   FSR0, 0x100 ;
NEXT    CLR   POSTINCO    ; Clear INDF
        ; register and
        ; inc pointer
        BTFSS FSR0H, 1    ; All done with
        ; Bank 1?
        GOTO  NEXT        ; NO, clear next
CONTINUE ; YES, continue
    
```

There are three indirect addressing registers. To address the entire data memory space (4096 bytes), these registers are 12 bits wide. To store the 12 bits of addressing information, two 8-bit registers are required. These indirect addressing registers are:

1. FSR0: composed of FSR0H:FSR0L
2. FSR1: composed of FSR1H:FSR1L
3. FSR2: composed of FSR2H:FSR2L

In addition, there are registers INDF0, INDF1 and INDF2, which are not physically implemented. Reading or writing to these registers activates indirect addressing, with the value in the corresponding FSR register being the address of the data. If an instruction writes a value to INDF0, the value will be written to the address pointed to by FSR0H:FSR0L. A read from INDF1 reads

the data from the address pointed to by FSR1H:FSR1L. INDFn can be used in code anywhere an operand can be used.

If INDF0, INDF1 or INDF2 are read indirectly via an FSR, all '0's are read (zero bit is set). Similarly, if INDF0, INDF1 or INDF2 are written to indirectly, the operation will be equivalent to a NOP instruction and the Status bits are not affected.

### 4.12.1 INDIRECT ADDRESSING OPERATION

Each FSR register has an INDF register associated with it, plus four additional register addresses. Performing an operation on one of these five registers determines how the FSR will be modified during indirect addressing.

When data access is done to one of the five INDFn locations, the address selected will configure the FSRn register to:

- Do nothing to FSRn after an indirect access (no change) – INDFn.
- Auto-decrement FSRn after an indirect access (post-decrement) – POSTDECn.
- Auto-increment FSRn after an indirect access (post-increment) – POSTINCn.
- Auto-increment FSRn before an indirect access (pre-increment) – PREINCn.
- Use the value in the WREG register as an offset to FSRn. Do not modify the value of the WREG or the FSRn register after an indirect access (no change) – PLUSWn.

When using the auto-increment or auto-decrement features, the effect on the FSR is not reflected in the Status register. For example, if the indirect address causes the FSR to equal '0', the Z bit will not be set.

Incrementing or decrementing an FSR affects all 12 bits. That is, when FSRnL overflows from an increment, FSRnH will be incremented automatically.

Adding these features allows the FSRn to be used as a stack pointer, in addition to its uses for table operations in data memory.

Each FSR has an address associated with it that performs an indexed indirect access. When a data access to this INDFn location (PLUSWn) occurs, the FSRn is configured to add the signed value in the WREG register and the value in FSR to form the address before an indirect access. The FSR value is not changed.

If an FSR register contains a value that points to one of the INDFn, an indirect read will read 00h (zero bit is set), while an indirect write will be equivalent to a NOP (Status bits are not affected).

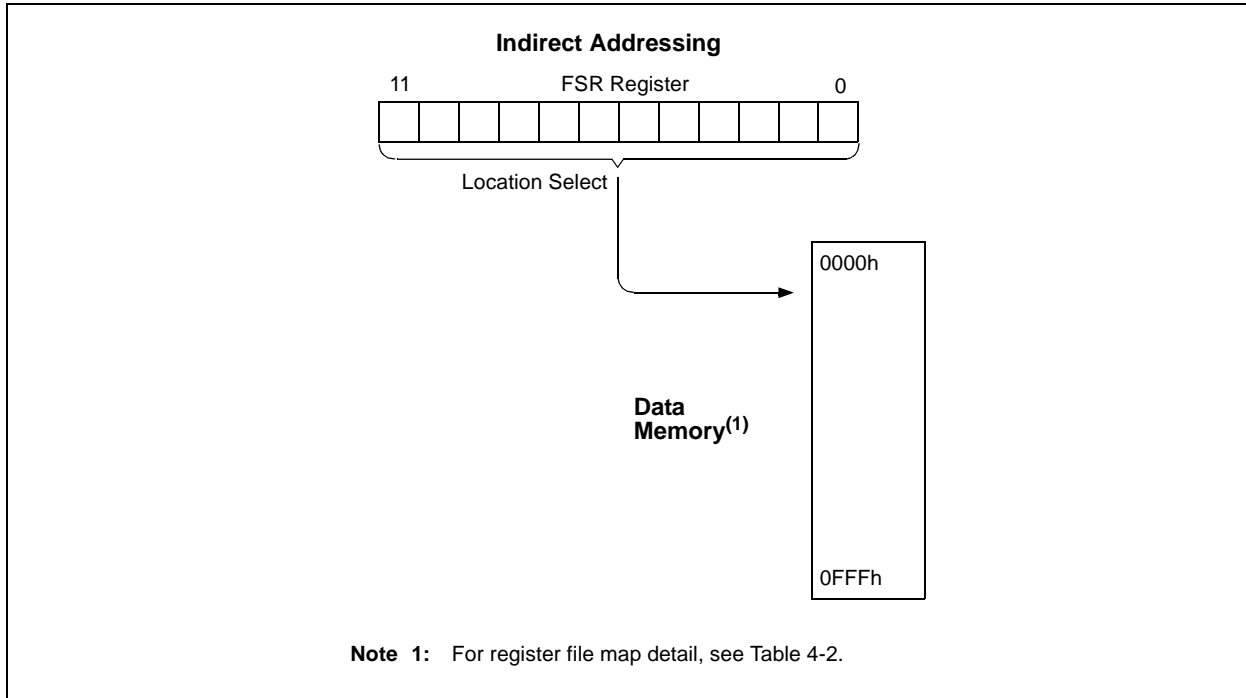
If an indirect addressing operation is done where the target address is an FSRnH or FSRnL register, the write operation will dominate over the pre- or post-increment/decrement functions.

# PIC18F6520/8520/6620/8620/6720/8720

**FIGURE 4-9: INDIRECT ADDRESSING OPERATION**



**FIGURE 4-10: INDIRECT ADDRESSING**



# PIC18F6520/8520/6620/8620/6720/8720

## 4.13 Status Register

The Status register, shown in Register 4-3, contains the arithmetic status of the ALU. The Status register can be the destination for any instruction, as with any other register. If the Status register is the destination for an instruction that affects the Z, DC, C, OV or N bits, then the write to these five bits is disabled. These bits are set or cleared according to the device logic. Therefore, the result of an instruction with the Status register as destination may be different than intended.

For example, `CLRF STATUS` will clear the upper three bits and set the Z bit. This leaves the Status register as `000u u1uu` (where u = unchanged).

It is recommended, therefore, that only `BCF`, `BSF`, `SWAPF`, `MOVFF` and `MOVWF` instructions are used to alter the Status register, because these instructions do not affect the Z, C, DC, OV or N bits from the Status register. For other instructions not affecting any status bits, see Table 24-1.

**Note:** The C and DC bits operate as a borrow and digit borrow bit respectively, in subtraction.

**REGISTER 4-3: STATUS REGISTER**

|       | U-0 | U-0 | U-0 | R/W-x | R/W-x | R/W-x | R/W-x | R/W-x |
|-------|-----|-----|-----|-------|-------|-------|-------|-------|
|       | —   | —   | —   | N     | OV    | Z     | DC    | C     |
| bit 7 |     |     |     |       |       |       |       | bit 0 |

bit 7-5 **Unimplemented:** Read as '0'

bit 4 **N:** Negative bit

This bit is used for signed arithmetic (2's complement). It indicates whether the result was negative (ALU MSB = 1).

- 1 = Result was negative
- 0 = Result was positive

bit 3 **OV:** Overflow bit

This bit is used for signed arithmetic (2's complement). It indicates an overflow of the 7-bit magnitude, which causes the sign bit (bit 7) to change state.

- 1 = Overflow occurred for signed arithmetic (in this arithmetic operation)
- 0 = No overflow occurred

bit 2 **Z:** Zero bit

- 1 = The result of an arithmetic or logic operation is zero
- 0 = The result of an arithmetic or logic operation is not zero

bit 1 **DC:** Digit carry/borrow bit

For `ADDWF`, `ADDLW`, `SUBLW` and `SUBWF` instructions:

- 1 = A carry-out from the 4th low-order bit of the result occurred
- 0 = No carry-out from the 4th low-order bit of the result

**Note:** For borrow, the polarity is reversed. A subtraction is executed by adding the 2's complement of the second operand. For rotate (`RRF`, `RLF`) instructions, this bit is loaded with either bit 4 or bit 3 of the source register.

bit 0 **C:** Carry/borrow bit

For `ADDWF`, `ADDLW`, `SUBLW` and `SUBWF` instructions:

- 1 = A carry-out from the Most Significant bit of the result occurred
- 0 = No carry-out from the Most Significant bit of the result occurred

**Note:** For borrow, the polarity is reversed. A subtraction is executed by adding the 2's complement of the second operand. For rotate (`RRF`, `RLF`) instructions, this bit is loaded with either the high or low-order bit of the source register.

**Legend:**

|                    |                  |  |
|--------------------|------------------|--|
| R = Readable bit   | W = Writable bit | U = Unimplemented bit, read as '0'           |
| - n = Value at POR | '1' = Bit is set | '0' = Bit is cleared      x = Bit is unknown |

# PIC18F6520/8520/6620/8620/6720/8720

## 4.14 RCON Register

The Reset Control (RCON) register contains flag bits that allow differentiation between the sources of a device Reset. These flags include the  $\overline{\text{TO}}$ ,  $\overline{\text{PD}}$ ,  $\overline{\text{POR}}$ ,  $\overline{\text{BOR}}$  and  $\overline{\text{RI}}$  bits. This register is readable and writable.

**Note 1:** If the BOREN configuration bit is set (Brown-out Reset enabled), the  $\overline{\text{BOR}}$  bit is '1' on a Power-on Reset. After a Brown-out Reset has occurred, the BOR bit will be cleared and must be set by firmware to indicate the occurrence of the next Brown-out Reset.

**2:** It is recommended that the  $\overline{\text{POR}}$  bit be set after a Power-on Reset has been detected, so that subsequent Power-on Resets may be detected.

**REGISTER 4-4: RCON REGISTER**

|       |                          |     |     |                        |                        |                        |                         |                         |
|-------|--------------------------|-----|-----|------------------------|------------------------|------------------------|-------------------------|-------------------------|
|       | R/W-0                    | U-0 | U-0 | R/W-1                  | R/W-1                  | R/W-1                  | R/W-0                   | R/W-0                   |
|       | $\overline{\text{IPEN}}$ | —   | —   | $\overline{\text{RI}}$ | $\overline{\text{TO}}$ | $\overline{\text{PD}}$ | $\overline{\text{POR}}$ | $\overline{\text{BOR}}$ |
| bit 7 |                          |     |     |                        |                        |                        |                         | bit 0                   |

- bit 7 **IPEN:** Interrupt Priority Enable bit
  - 1 = Enable priority levels on interrupts
  - 0 = Disable priority levels on interrupts (PIC16CXXX Compatibility mode)
- bit 6-5 **Unimplemented:** Read as '0'
- bit 4 **RI:** RESET Instruction Flag bit
  - 1 = The RESET instruction was not executed
  - 0 = The RESET instruction was executed causing a device Reset (must be set in software after a Brown-out Reset occurs)
- bit 3 **TO:** Watchdog Time-out Flag bit
  - 1 = After power-up, CLRWDT instruction, or SLEEP instruction
  - 0 = A WDT time-out occurred
- bit 2 **PD:** Power-down Detection Flag bit
  - 1 = After power-up or by the CLRWDT instruction
  - 0 = By execution of the SLEEP instruction
- bit 1 **POR:** Power-on Reset Status bit
  - 1 = A Power-on Reset has not occurred
  - 0 = A Power-on Reset occurred (must be set in software after a Power-on Reset occurs)
- bit 0 **BOR:** Brown-out Reset Status bit
  - 1 = A Brown-out Reset has not occurred
  - 0 = A Brown-out Reset occurred (must be set in software after a Brown-out Reset occurs)

**Legend:**

|                    |                  |  |
|--------------------|------------------|--|
| R = Readable bit   | W = Writable bit | U = Unimplemented bit, read as '0'         |
| - n = Value at POR | '1' = Bit is set | '0' = Bit is cleared    x = Bit is unknown |

## 5.0 FLASH PROGRAM MEMORY

The Flash program memory is readable, writable and erasable, during normal operation over the entire VDD range.

A read from program memory is executed on one byte at a time. A write to program memory is executed on blocks of 8 bytes at a time. Program memory is erased in blocks of 64 bytes at a time. A bulk erase operation may not be issued from user code.

Writing or erasing program memory will cease instruction fetches until the operation is complete. The program memory cannot be accessed during the write or erase, therefore, code cannot execute. An internal programming timer terminates program memory writes and erases.

A value written to program memory does not need to be a valid instruction. Executing a program memory location that forms an invalid instruction results in a NOP.

### 5.1 Table Reads and Table Writes

In order to read and write program memory, there are two operations that allow the processor to move bytes between the program memory space and the data RAM:

- Table Read (TBLRD)
- Table Write (TBLWT)

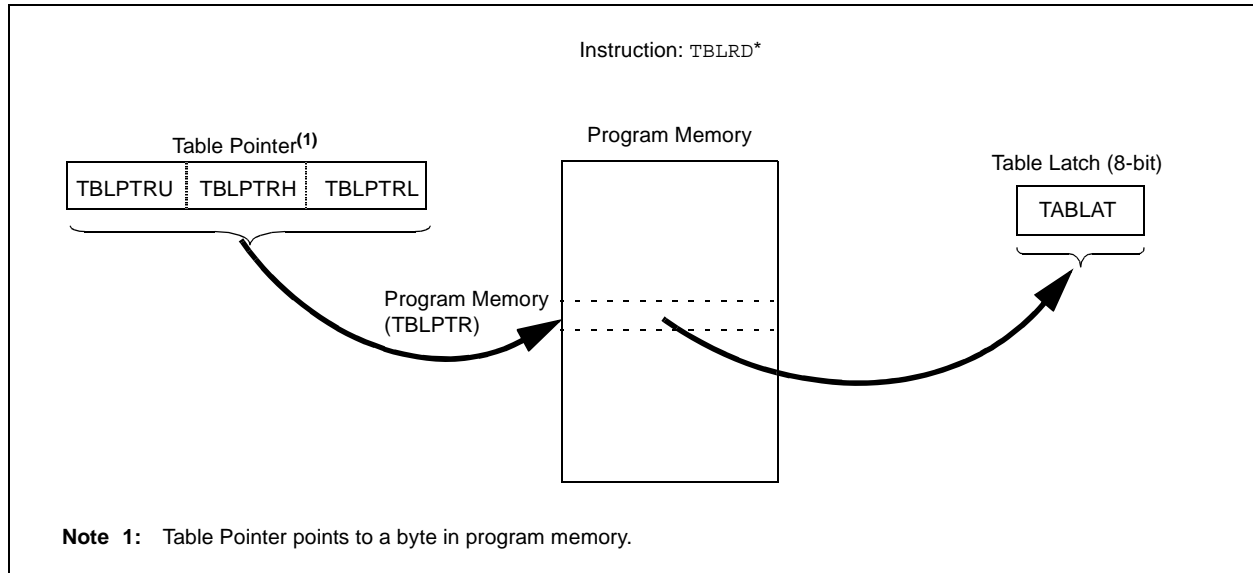
The program memory space is 16 bits wide, while the data RAM space is 8 bits wide. Table reads and table writes move data between these two memory spaces through an 8-bit register (TABLAT).

Table read operations retrieve data from program memory and place it into the data RAM space. Figure 5-1 shows the operation of a table read with program memory and data RAM.

Table write operations store data from the data memory space into holding registers in program memory. The procedure to write the contents of the holding registers into program memory is detailed in **Section 5.5 “Writing to Flash Program Memory”**. Figure 5-2 shows the operation of a table write with program memory and data RAM.

Table operations work with byte entities. A table block containing data, rather than program instructions, is not required to be word aligned. Therefore, a table block can start and end at any byte address. If a table write is being used to write executable code into program memory, program instructions will need to be word aligned.

**FIGURE 5-1: TABLE READ OPERATION**



# PIC18F6520/8520/6620/8620/6720/8720

FIGURE 5-2: TABLE WRITE OPERATION



## 5.2 Control Registers

Several control registers are used in conjunction with the TBLRD and TBLWT instructions. These include the:

- EECON1 register
- EECON2 register
- TABLAT register
- TBLPTR registers

### 5.2.1 EECON1 AND EECON2 REGISTERS

EECON1 is the control register for memory accesses.

EECON2 is not a physical register. Reading EECON2 will read all '0's. The EECON2 register is used exclusively in the memory write and erase sequences.

Control bit EEPGD determines if the access will be a program or data EEPROM memory access. When clear, any subsequent operations will operate on the data EEPROM memory. When set, any subsequent operations will operate on the program memory.

Control bit CFGS determines if the access will be to the configuration/calibration registers, or to program memory/data EEPROM memory. When set, subsequent operations will operate on configuration registers, regardless of EEPGD (see Section 23.0 "Special Features of the CPU"). When clear, memory selection access is determined by EEPGD.

The FREE bit, when set, will allow a program memory erase operation. When the FREE bit is set, the erase operation is initiated on the next WR command. When FREE is clear, only writes are enabled.

The WREN bit, when set, will allow a write operation. On power-up, the WREN bit is clear. The WRERR bit is set when a write operation is interrupted by a MCLR Reset, or a WDT Time-out Reset during normal operation. In these situations, the user can check the WRERR bit and rewrite the location. It is necessary to reload the data and address registers (EEDATA and EEADR), due to Reset values of zero.

The WR control bit, initiates write operations. The bit cannot be cleared, only set, in software; it is cleared in hardware at the completion of the write operation. The inability to clear the WR bit in software prevents the accidental or premature termination of a write operation.

**Note:** Interrupt flag bit, EEIF in the PIR2 register, is set when the write is complete. It must be cleared in software.

# PIC18F6520/8520/6620/8620/6720/8720

## REGISTER 5-1: EECON1 REGISTER (ADDRESS FA6h)

| R/W-x | R/W-x | U-0 | R/W-0 | R/W-x | R/W-0 | R/S-0 | R/S-0 |
|-------|-------|-----|-------|-------|-------|-------|-------|
| EEPGD | CFGS  | —   | FREE  | WRERR | WREN  | WR    | RD    |
| bit 7 |       |     |       |       |       | bit 0 |       |

- bit 7 **EEPGD:** Flash Program or Data EEPROM Memory Select bit  
 1 = Access Flash program memory  
 0 = Access data EEPROM memory
- bit 6 **CFGS:** Flash Program/Data EEPROM or Configuration Select bit  
 1 = Access configuration registers  
 0 = Access Flash program or data EEPROM memory
- bit 5 **Unimplemented:** Read as '0'
- bit 4 **FREE:** Flash Row Erase Enable bit  
 1 = Erase the program memory row addressed by TBLPTR on the next WR command (cleared by completion of erase operation)  
 0 = Perform write only
- bit 3 **WRERR:** Flash Program/Data EEPROM Error Flag bit  
 1 = A write operation is prematurely terminated (any Reset during self-timed programming in normal operation)  
 0 = The write operation completed  
**Note:** When a WRERR occurs, the EEPGD and CFGS bits are not cleared. This allows tracing of the error condition.
- bit 2 **WREN:** Flash Program/Data EEPROM Write Enable bit  
 1 = Allows write cycles to Flash program/data EEPROM  
 0 = Inhibits write cycles to Flash program/data EEPROM
- bit 1 **WR:** Write Control bit  
 1 = Initiates a data EEPROM erase/write cycle or a program memory erase cycle or write cycle. (The operation is self-timed and the bit is cleared by hardware once write is complete. The WR bit can only be set (not cleared) in software.)  
 0 = Write cycle to the EEPROM is complete
- bit 0 **RD:** Read Control bit  
 1 = Initiates an EEPROM read (Read takes one cycle. RD is cleared in hardware. The RD bit can only be set (not cleared) in software. RD bit cannot be set when EEPGD = 1.)  
 0 = Does not initiate an EEPROM read

### Legend:

|                    |                  |  |
|--------------------|------------------|--|
| R = Readable bit   | W = Writable bit | U = Unimplemented bit, read as '0'         |
| - n = Value at POR | '1' = Bit is set | '0' = Bit is cleared    x = Bit is unknown |

# PIC18F6520/8520/6620/8620/6720/8720

## 5.2.2 TABLAT – TABLE LATCH REGISTER

The Table Latch (TABLAT) is an 8-bit register mapped into the SFR space. The Table Latch is used to hold 8-bit data during data transfers between program memory and data RAM.

## 5.2.3 TBLPTR – TABLE POINTER REGISTER

The Table Pointer (TBLPTR) addresses a byte within the program memory. The TBLPTR is comprised of three SFR registers: Table Pointer Upper Byte, Table Pointer High Byte and Table Pointer Low Byte (TBLPTRU:TBLPTRH:TBLPTRL). These three registers join to form a 22-bit wide pointer. The low-order 21 bits allow the device to address up to 2 Mbytes of program memory space. The 22nd bit allows access to the Device ID, the User ID and the configuration bits.

The Table Pointer, TBLPTR, is used by the TBLRD and TBLWT instructions. These instructions can update the TBLPTR in one of four ways, based on the table operation. These operations are shown in Table 5-1. These operations on the TBLPTR only affect the low-order 21 bits.

## 5.2.4 TABLE POINTER BOUNDARIES

TBLPTR is used in reads, writes and erases of the Flash program memory.

When a TBLRD is executed, all 22 bits of the Table Pointer determine which byte is read from program memory into TABLAT.

When a TBLWT is executed, the three LSbs of the Table Pointer (TBLPTR<2:0>) determine which of the eight program memory holding registers is written to. When the timed write to program memory (long write) begins, the 19 MSBs of the Table Pointer, TBLPTR (TBLPTR<21:3>), will determine which program memory block of 8 bytes is written to. For more detail, see **Section 5.5 “Writing to Flash Program Memory”**.

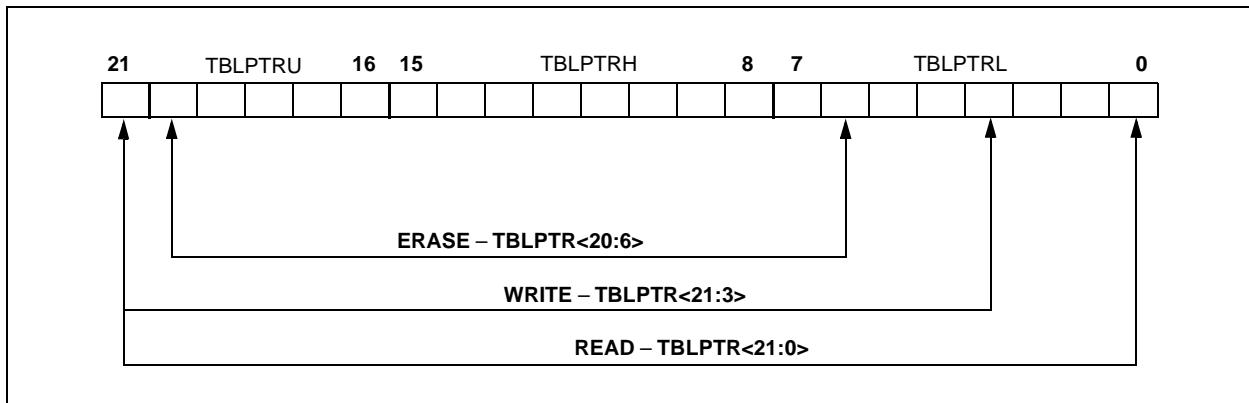
When an erase of program memory is executed, the 16 MSBs of the Table Pointer (TBLPTR<21:6>) point to the 64-byte block that will be erased. The Least Significant bits (TBLPTR<5:0>) are ignored.

Figure 5-3 describes the relevant boundaries of TBLPTR based on Flash program memory operations.

**TABLE 5-1: TABLE POINTER OPERATIONS WITH TBLRD AND TBLWT INSTRUCTIONS**

| Example            | Operation on Table Pointer                  |
|--------------------|---|
| TBLRD*<br>TBLWT*   | TBLPTR is not modified                      |
| TBLRD**<br>TBLWT** | TBLPTR is incremented after the read/write  |
| TBLRD*-<br>TBLWT*- | TBLPTR is decremented after the read/write  |
| TBLRD+*<br>TBLWT+* | TBLPTR is incremented before the read/write |

**FIGURE 5-3: TABLE POINTER BOUNDARIES BASED ON OPERATION**





# PIC18F6520/8520/6620/8620/6720/8720

## 5.3 Reading the Flash Program Memory

The `TBLRD` instruction is used to retrieve data from program memory and places it into data RAM. Table reads from program memory are performed one byte at a time.

`TBLPTR` points to a byte address in program space. Executing `TBLRD` places the byte pointed to into `TABLAT`. In addition, `TBLPTR` can be modified automatically for the next table read operation.

The internal program memory is typically organized by words. The Least Significant bit of the address selects between the high and low bytes of the word. Figure 5-4 shows the interface between the internal program memory and the `TABLAT`.

**FIGURE 5-4: READS FROM FLASH PROGRAM MEMORY**



**EXAMPLE 5-1: READING A FLASH PROGRAM MEMORY WORD**

```
MOVLW CODE_ADDR_UPPER           ; Load TBLPTR with the base
MOVWF TBLPTRU                   ; address of the word
MOVLW CODE_ADDR_HIGH
MOVWF TBLPTRH
MOVLW CODE_ADDR_LOW
MOVWF TBLPTRL

READ_WORD
TBLRD*+                          ; read into TABLAT and increment
MOVF TABLAT, W                   ; get data
MOVWF WORD_EVEN
TBLRD*+                          ; read into TABLAT and increment
MOVFW TABLAT, W                  ; get data
MOVWF WORD_ODD
```

# PIC18F6520/8520/6620/8620/6720/8720

## 5.4 Erasing Flash Program Memory

The minimum erase block is 32 words or 64 bytes. Only through the use of an external programmer, or through ICSP control, can larger blocks of program memory be bulk erased. Word erase in the Flash array is not supported.

When initiating an erase sequence from the microcontroller itself, a block of 64 bytes of program memory is erased. The Most Significant 16 bits of the TBLPTR<21:6> point to the block being erased. TBLPTR<5:0> are ignored.

The EECON1 register commands the erase operation. The EEPGD bit must be set to point to the Flash program memory. The WREN bit must be set to enable write operations. The FREE bit is set to select an erase operation.

For protection, the write initiate sequence for EECON2 must be used.

A long write is necessary for erasing the internal Flash. Instruction execution is halted while in a long write cycle. The long write will be terminated by the internal programming timer.

### 5.4.1 FLASH PROGRAM MEMORY ERASE SEQUENCE

The sequence of events for erasing a block of internal program memory location is:

1. Load Table Pointer with address of row being erased.
2. Set the EECON1 register for the erase operation:
  - set EEPGD bit to point to program memory;
  - clear the CFGS bit to access program memory;
  - set WREN bit to enable writes;
  - set FREE bit to enable the erase.
3. Disable interrupts.
4. Write 55h to EECON2.
5. Write AAh to EECON2.
6. Set the WR bit. This will begin the row erase cycle.
7. The CPU will stall for duration of the erase (about 2 ms using internal timer).
8. Execute a NOP.
9. Re-enable interrupts.

#### EXAMPLE 5-2: ERASING A FLASH PROGRAM MEMORY ROW

|           |       |                 |                                 |
|-----------|-------|-----------------|---------------------------------|
|           | MOVLW | CODE_ADDR_UPPER | ; load TBLPTR with the base     |
|           | MOVWF | TBLPTRU         | ; address of the memory block   |
|           | MOVLW | CODE_ADDR_HIGH  |                                 |
|           | MOVWF | TBLPTRH         |                                 |
|           | MOVLW | CODE_ADDR_LOW   |                                 |
|           | MOVWF | TBLPTRL         |                                 |
| ERASE_ROW |       |                 |                                 |
|           | BSF   | EECON1, EEPGD   | ; point to Flash program memory |
|           | BCF   | EECON1, CFGS    | ; access Flash program memory   |
|           | BSF   | EECON1, WREN    | ; enable write to memory        |
|           | BSF   | EECON1, FREE    | ; enable Row Erase operation    |
|           | BCF   | INTCON, GIE     | ; disable interrupts            |
|           | MOVLW | 55h             |                                 |
|           | MOVWF | EECON2          | ; write 55H                     |
| Required  | MOVLW | AAh             |                                 |
| Sequence  | MOVWF | EECON2          | ; write AAH                     |
|           | BSF   | EECON1, WR      | ; start erase (CPU stall)       |
|           | NOP   |                 |                                 |
|           | BSF   | INTCON, GIE     | ; re-enable interrupts          |

# PIC18F6520/8520/6620/8620/6720/8720

## 5.5 Writing to Flash Program Memory

The minimum programming block is 4 words or 8 bytes. Word or byte programming is not supported.

Table writes are used internally to load the holding registers needed to program the Flash memory. There are 8 holding registers used by the table writes for programming.

Since the Table Latch (TABLAT) is only a single byte, the TBLWT instruction has to be executed 8 times for each programming operation. All of the table write operations will essentially be short writes, because only

the holding registers are written. At the end of updating 8 registers, the EECON1 register must be written to, to start the programming operation with a long write.

The long write is necessary for programming the internal Flash. Instruction execution is halted while in a long write cycle. The long write will be terminated by the internal programming timer.

The EEPROM on-chip timer controls the write time. The write/erase voltages are generated by an on-chip charge pump, rated to operate over the voltage range of the device for byte or word operations.

FIGURE 5-5: TABLE WRITES TO FLASH PROGRAM MEMORY



### 5.5.1 FLASH PROGRAM MEMORY WRITE SEQUENCE

The sequence of events for programming an internal program memory location should be:

1. Read 64 bytes into RAM.
2. Update data values in RAM as necessary.
3. Load Table Pointer with address being erased.
4. Do the row erase procedure.
5. Load Table Pointer with address of first byte being written.
6. Write the first 8 bytes into the holding registers with auto-increment.
7. Set the EECON1 register for the write operation:
  - set EEPGD bit to point to program memory
  - clear the CFGS bit to access program memory
  - set WREN to enable byte writes
8. Disable interrupts.

9. Write 55h to EECON2.
10. Write AAh to EECON2.
11. Set the WR bit. This will begin the write cycle.
12. The CPU will stall for duration of the write (about 2 ms using internal timer).
13. Execute a NOP.
14. Re-enable interrupts.
15. Repeat steps 6-14 seven times, to write 64 bytes.
16. Verify the memory (table read).

This procedure will require about 18 ms to update one row of 64 bytes of memory. An example of the required code is given in Example 5-3.

**Note:** Before setting the WR bit, the Table Pointer address needs to be within the intended address range of the eight bytes in the holding register.

# PIC18F6520/8520/6620/8620/6720/8720

## EXAMPLE 5-3: WRITING TO FLASH PROGRAM MEMORY

```

MOV LW D'64 ; number of bytes in erase block
MOV WF COUNTER
MOV LW BUFFER_ADDR_HIGH ; point to buffer
MOV WF FSR0H
MOV LW BUFFER_ADDR_LOW
MOV WF FSR0L
MOV LW CODE_ADDR_UPPER ; Load TBLPTR with the base
MOV WF TBLPTRU ; address of the memory block
MOV LW CODE_ADDR_HIGH
MOV WF TBLPTRH
MOV LW CODE_ADDR_LOW
MOV WF TBLPTRL

READ_BLOCK
TBLRD*+ ; read into TABLAT, and inc
MOV F TABLAT, W ; get data
MOV WF POSTINC0 ; store data
DECFSZ COUNTER ; done?
BRA READ_BLOCK ; repeat

MODIFY_WORD
MOV LW DATA_ADDR_HIGH ; point to buffer
MOV WF FSR0H
MOV LW DATA_ADDR_LOW
MOV WF FSR0L
MOV LW NEW_DATA_LOW ; update buffer word
MOV WF POSTINC0
MOV LW NEW_DATA_HIGH
MOV WF INDF0

ERASE_BLOCK
MOV LW CODE_ADDR_UPPER ; load TBLPTR with the base
MOV WF TBLPTRU ; address of the memory block
MOV LW CODE_ADDR_HIGH
MOV WF TBLPTRH
MOV LW CODE_ADDR_LOW
MOV WF TBLPTRL
BSF EECON1, EEPGD ; point to Flash program memory
BCF EECON1, CFGS ; access Flash program memory
BSF EECON1, WREN ; enable write to memory
BSF EECON1, FREE ; enable Row Erase operation
BCF INTCON, GIE ; disable interrupts

Required
Sequence
MOV LW 55h
MOV WF EECON2 ; write 55H
MOV LW AAh
MOV WF EECON2 ; write AAH
BSF EECON1, WR ; start erase (CPU stall)
NOP
BSF INTCON, GIE ; re-enable interrupts
TBLRD*- ; dummy read decrement

WRITE_BUFFER_BACK
MOV LW 8 ; number of write buffer groups of 8 bytes
MOV WF COUNTER_HI
MOV LW BUFFER_ADDR_HIGH ; point to buffer
MOV WF FSR0H
MOV LW BUFFER_ADDR_LOW
MOV WF FSR0L

PROGRAM_LOOP
MOV LW 8 ; number of bytes in holding register
MOV WF COUNTER

WRITE_WORD_TO_HREGS
MOV FF POSTINC0, WREG ; get low byte of buffer data
; present data to table latch
TBLWT*+ ; write data, perform a short write
; to internal TBLWT holding register.
DECFSZ COUNTER ; loop until buffers are full
BRA WRITE_WORD_TO_HREGS

```

# PIC18F6520/8520/6620/8620/6720/8720

## EXAMPLE 5-3: WRITING TO FLASH PROGRAM MEMORY (CONTINUED)

| PROGRAM_MEMORY           |        |               |  |                                 |
|--------------------------|--------|---------------|--|---------------------------------|
|                          | BSF    | EECON1, EEPGD |  | ; point to Flash program memory |
|                          | BCF    | EECON1, CFGS  |  | ; access Flash program memory   |
|                          | BSF    | EECON1, WREN  |  | ; enable write to memory        |
|                          | BCF    | INTCON, GIE   |  | ; disable interrupts            |
|                          | MOVLW  | 55h           |  |                                 |
|                          | MOVWF  | EECON2        |  | ; write 55H                     |
| <b>Required Sequence</b> | MOVLW  | AAh           |  |                                 |
|                          | MOVWF  | EECON2        |  | ; write AAH                     |
|                          | BSF    | EECON1, WR    |  | ; start program (CPU stall)     |
|                          | NOP    |               |  |                                 |
|                          | BSF    | INTCON, GIE   |  | ; re-enable interrupts          |
|                          | DECFSZ | COUNTER_HI    |  | ; loop until done               |
|                          | BRA    | PROGRAM_LOOP  |  |                                 |
|                          | BCF    | EECON1, WREN  |  | ; disable write to memory       |

### 5.5.2 WRITE VERIFY

Depending on the application, good programming practice may dictate that the value written to the memory should be verified against the original value. This should be used in applications where excessive writes can stress bits near the specification limit.

### 5.5.3 UNEXPECTED TERMINATION OF WRITE OPERATION

If a write is terminated by an unplanned event, such as loss of power or an unexpected Reset, the memory location just programmed should be verified and reprogrammed if needed. The WRERR bit is set when a write operation is interrupted by a MCLR Reset, or a WDT Time-out Reset during normal operation. In these situations, users can check the WRERR bit and rewrite the location.

### 5.5.4 PROTECTION AGAINST SPURIOUS WRITES

To protect against spurious writes to Flash program memory, the write initiate sequence must also be followed. See **Section 23.0 “Special Features of the CPU”** for more detail.

## 5.6 Flash Program Operation During Code Protection

See **Section 23.0 “Special Features of the CPU”** for details on code protection of Flash program memory.

**TABLE 5-2: REGISTERS ASSOCIATED WITH PROGRAM FLASH MEMORY**

| Name    | Bit 7   | Bit 6     | Bit 5  | Bit 4   | Bit 3 | Bit 2  | Bit 1  | Bit 0  | Value on POR, BOR | Value on all other Resets |
|---------|---|-----------|--------|---|-------|--------|--------|--------|-------------------|---------------------------|
| TBLPTRU | —   | —         | bit 21 | Program Memory Table Pointer Upper Byte (TBLPTR<20:16>) |       |        |        |        | --00 0000         | --00 0000                 |
| TBPLTRH | Program Memory Table Pointer High Byte (TBLPTR<15:8>) |           |        |   |       |        |        |        | 0000 0000         | 0000 0000                 |
| TBLPTRL | Program Memory Table Pointer High Byte (TBLPTR<7:0>)  |           |        |   |       |        |        |        | 0000 0000         | 0000 0000                 |
| TABLAT  | Program Memory Table Latch                            |           |        |   |       |        |        |        | 0000 0000         | 0000 0000                 |
| INTCON  | GIE/GIEH  | PEIE/GIEL | TMR0IE | INTE  | RBIE  | TMR0IF | INTF   | RBIF   | 0000 0000         | 0000 0000                 |
| EECON2  | EEPROM Control Register 2 (not a physical register)   |           |        |   |       |        |        |        | —                 | —                         |
| EECON1  | EEPGD   | CFGFS     | —      | FREE  | WRERR | WREN   | WR     | RD     | xx-0 x000         | uu-0 u000                 |
| IPR2    | —   | CMIP      | —      | EEIP  | BCLIP | LVDIP  | TMR3IP | CCP2IP | ---1 1111         | ---1 1111                 |
| PIR2    | —   | CMIF      | —      | EEIF  | BCLIF | LVDIF  | TMR3IF | CCP2IF | ---0 0000         | ---0 0000                 |
| PIE2    | —   | CMIE      | —      | EEIE  | BCLIE | LVDIE  | TMR3IE | CCP2IE | ---0 0000         | ---0 0000                 |

**Legend:** x = unknown, u = unchanged, r = reserved, - = unimplemented, read as '0'.  
Shaded cells are not used during Flash/EEPROM access.

# PIC18F6520/8520/6620/8620/6720/8720

---

NOTES:

# PIC18F6520/8520/6620/8620/6720/8720

## 6.0 EXTERNAL MEMORY INTERFACE

**Note:** The External Memory Interface is not implemented on PIC18F6X20 (64-pin) devices.

The External Memory Interface is a feature of the PIC18F8X20 devices that allows the controller to access external memory devices (such as Flash, EPROM, SRAM, etc.) as program or data memory.

The physical implementation of the interface uses 27 pins. These pins are reserved for external address/data bus functions; they are multiplexed with I/O port pins on four ports. Three I/O ports are multiplexed with the address/data bus, while the fourth port is multiplexed with the bus control signals. The I/O port functions are enabled when the EBDIS bit in the MEMCON register is set (see Register 6-1). A list of the multiplexed pins and their functions is provided in Table 6-1.

As implemented in the PIC18F8X20 devices, the interface operates in a similar manner to the external memory interface introduced on PIC18C601/801 microcontrollers. The most notable difference is that the interface on PIC18F8X20 devices only operates in 16-bit modes. The 8-bit mode is not supported.

For a more complete discussion of the operating modes that use the external memory interface, refer to Section 4.1.1 “PIC18F8X20 Program Memory Modes”.

## 6.1 Program Memory Modes and the External Memory Interface

As previously noted, PIC18F8X20 controllers are capable of operating in any one of four program memory modes, using combinations of on-chip and external program memory. The functions of the multiplexed port pins depend on the program memory mode selected, as well as the setting of the EBDIS bit.

In **Microprocessor Mode**, the external bus is always active and the port pins have only the external bus function.

In **Microcontroller Mode**, the bus is not active and the pins have their port functions only. Writes to the MEMCOM register are not permitted.

In **Microprocessor with Boot Block** or **Extended Microcontroller Mode**, the external program memory bus shares I/O port functions on the pins. When the device is fetching or doing table read/table write operations on the external program memory space, the pins will have the external bus function. If the device is fetching and accessing internal program memory locations only, the EBDIS control bit will change the pins from external memory to I/O port functions. When EBDIS = 0, the pins function as the external bus. When EBDIS = 1, the pins function as I/O ports.

**Note:** Maximum FOSC for the PIC18FX520 is limited to 25 MHz when using the external memory interface.

### REGISTER 6-1: MEMCON REGISTER

| R/W-0 | U-0 | R/W-0 | R/W-0 | U-0 | U-0 | R/W-0 | R/W-0 |      |
|-------|-----|-------|-------|-----|-----|-------|-------|------|
| EBDIS | —   | WAIT1 | WAIT0 | —   | —   | WM1   | WM0   |      |
| bit7  |     |       |       |     |     |       |       | bit0 |

bit 7 **EBDIS:** External Bus Disable bit

1 = External system bus disabled, all external bus drivers are mapped as I/O ports  
0 = External system bus enabled and I/O ports are disabled

bit 6 **Unimplemented:** Read as '0'

bit 5-4 **WAIT<1:0>:** Table Reads and Writes Bus Cycle Wait Count bits

11 = Table reads and writes will wait 0 T<sub>CY</sub>  
10 = Table reads and writes will wait 1 T<sub>CY</sub>  
01 = Table reads and writes will wait 2 T<sub>CY</sub>  
00 = Table reads and writes will wait 3 T<sub>CY</sub>

bit 3-2 **Unimplemented:** Read as '0'

bit 1-0 **WM<1:0>:** TBLWRT Operation with 16-bit Bus bits

1x = Word Write mode: TABLAT<0> and TABLAT<1> word output,  $\overline{WRH}$  active when TABLAT<1> written  
01 = Byte Select mode: TABLAT data copied on both MSB and LSB,  $\overline{WRH}$  and ( $\overline{UB}$  or  $\overline{LB}$ ) will activate  
00 = Byte Write mode: TABLAT data copied on both MSB and LSB,  $\overline{WRH}$  or  $\overline{WRL}$  will activate

#### Legend:

R = Readable bit                      W = Writable bit                      U = Unimplemented bit, read as '0'  
- n = Value at POR                      '1' = Bit is set                      '0' = Bit is cleared                      x = Bit is unknown

# PIC18F6520/8520/6620/8620/6720/8720

If the device fetches or accesses external memory while  $EBDIS = 1$ , the pins will switch to external bus. If the  $EBDIS$  bit is set by a program executing from external memory, the action of setting the bit will be delayed until the program branches into the internal memory. At that time, the pins will change from external bus to I/O ports.

When the device is executing out of internal memory ( $EBDIS = 0$ ) in Microprocessor with Boot Block mode, or Extended Microcontroller mode, the control signals will NOT be active. They will go to a state where the  $AD_{<15:0>}$  and  $A_{<19:16>}$  are tri-state; the  $\overline{CE}$ ,  $\overline{OE}$ ,  $\overline{WRH}$ ,  $\overline{WRL}$ ,  $\overline{UB}$  and  $\overline{LB}$  signals are '1' and  $ALE$  and  $BA0$  are '0'.

**TABLE 6-1: PIC18F8X20 EXTERNAL BUS – I/O PORT FUNCTIONS**

| Name                  | Port  | Bit   | Function  |
|-----------------------|-------|-------|---|
| RD0/AD0               | PORTD | bit 0 | Input/Output or System Bus Address bit 0 or Data bit 0.                       |
| RD1/AD1               | PORTD | bit 1 | Input/Output or System Bus Address bit 1 or Data bit 1.                       |
| RD2/AD2               | PORTD | bit 2 | Input/Output or System Bus Address bit 2 or Data bit 2.                       |
| RD3/AD3               | PORTD | bit 3 | Input/Output or System Bus Address bit 3 or Data bit 3.                       |
| RD4/AD4               | PORTD | bit 4 | Input/Output or System Bus Address bit 4 or Data bit 4.                       |
| RD5/AD5               | PORTD | bit 5 | Input/Output or System Bus Address bit 5 or Data bit 5.                       |
| RD6/AD6               | PORTD | bit 6 | Input/Output or System Bus Address bit 6 or Data bit 6.                       |
| RD7/AD7               | PORTD | bit 7 | Input/Output or System Bus Address bit 7 or Data bit 7.                       |
| RE0/AD8               | PORTE | bit 0 | Input/Output or System Bus Address bit 8 or Data bit 8.                       |
| RE1/AD9               | PORTE | bit 1 | Input/Output or System Bus Address bit 9 or Data bit 9.                       |
| RE2/AD10              | PORTE | bit 2 | Input/Output or System Bus Address bit 10 or Data bit 10.                     |
| RE3/AD11              | PORTE | bit 3 | Input/Output or System Bus Address bit 11 or Data bit 11.                     |
| RE4/AD12              | PORTE | bit 4 | Input/Output or System Bus Address bit 12 or Data bit 12.                     |
| RE5/AD13              | PORTE | bit 5 | Input/Output or System Bus Address bit 13 or Data bit 13.                     |
| RE6/AD14              | PORTE | bit 6 | Input/Output or System Bus Address bit 14 or Data bit 14.                     |
| RE7/AD15              | PORTE | bit 7 | Input/Output or System Bus Address bit 15 or Data bit 15.                     |
| RH0/A16               | PORTH | bit 0 | Input/Output or System Bus Address bit 16.                                    |
| RH1/A17               | PORTH | bit 1 | Input/Output or System Bus Address bit 17.                                    |
| RH2/A18               | PORTH | bit 2 | Input/Output or System Bus Address bit 18.                                    |
| RH3/A19               | PORTH | bit 3 | Input/Output or System Bus Address bit 19.                                    |
| RJ0/ALE               | PORTJ | bit 0 | Input/Output or System Bus Address Latch Enable (ALE) Control pin.            |
| RJ1/ $\overline{OE}$  | PORTJ | bit 1 | Input/Output or System Bus Output Enable ( $\overline{OE}$ ) Control pin.     |
| RJ2/ $\overline{WRL}$ | PORTJ | bit 2 | Input/Output or System Bus Write Low ( $\overline{WRL}$ ) Control pin.        |
| RJ3/ $\overline{WRH}$ | PORTJ | bit 3 | Input/Output or System Bus Write High ( $\overline{WRH}$ ) Control pin.       |
| RJ4/BA0               | PORTJ | bit 4 | Input/Output or System Bus Byte Address bit 0.                                |
| RJ5/ $\overline{CE}$  | PORTJ | bit 5 | Input/Output or System Bus Chip Enable ( $\overline{CE}$ ) Control pin.       |
| RJ6/ $\overline{LB}$  | PORTJ | bit 6 | Input/Output or System Bus Lower Byte Enable ( $\overline{LB}$ ) Control pin. |
| RJ7/ $\overline{UB}$  | PORTJ | bit 7 | Input/Output or System Bus Upper Byte Enable ( $\overline{UB}$ ) Control pin. |



# PIC18F6520/8520/6620/8620/6720/8720

## 6.2 16-bit Mode

The External Memory Interface implemented in PIC18F8X20 devices operates only in 16-bit mode. The mode selection is not software configurable, but is programmed via the configuration bits.

The WM<1:0> bits in the MEMCON register determine three types of connections in 16-bit mode. They are referred to as:

- 16-bit Byte Write
- 16-bit Word Write
- 16-bit Byte Select

These three different configurations allow the designer maximum flexibility in using 8-bit and 16-bit memory devices.

For all 16-bit modes, the Address Latch Enable (ALE) pin indicates that the address bits A<15:0> are available on the External Memory Interface bus. Following the address latch, the Output Enable signal ( $\overline{OE}$ ) will enable both bytes of program memory at once to form a 16-bit instruction word. The Chip Enable signal ( $\overline{CE}$ ) is active at any time that the microcontroller accesses external memory, whether reading or writing; it is inactive (asserted high) whenever the device is in Sleep mode.

In Byte Select mode, JEDEC standard Flash memories will require BA0 for the byte address line and one I/O line to select between Byte and Word mode. The other 16-bit modes do not need BA0. JEDEC standard static RAM memories will use the UB or LB signals for byte selection.

### 6.2.1 16-BIT BYTE WRITE MODE

Figure 6-1 shows an example of 16-bit Byte Write mode for PIC18F8X20 devices. This mode is used for two separate 8-bit memories connected for 16-bit operation. This generally includes basic EPROM and Flash devices. It allows table writes to byte-wide external memories.

During a TBLWT instruction cycle, the TABLAT data is presented on the upper and lower bytes of the AD15:AD0 bus. The appropriate  $\overline{WRH}$  or  $\overline{WRL}$  control line is strobed on the LSB of the TBLPTR.

**FIGURE 6-1: 16-BIT BYTE WRITE MODE EXAMPLE**



# PIC18F6520/8520/6620/8620/6720/8720

## 6.2.2 16-BIT WORD WRITE MODE

Figure 6-2 shows an example of 16-bit Word Write mode for PIC18F8X20 devices. This mode is used for word-wide memories, which includes some of the EPROM and Flash type memories. This mode allows opcode fetches and table reads from all forms of 16-bit memory and table writes to any type of word-wide external memories. This method makes a distinction between TBLWT cycles to even or odd addresses.

During a TBLWT cycle to an even address (TBLPTR<0> = 0), the TABLAT data is transferred to a holding latch and the external address data bus is tri-stated for the data portion of the bus cycle. No write signals are activated.

During a TBLWT cycle to an odd address (TBLPTR<0> = 1), the TABLAT data is presented on the upper byte of the AD15:AD0 bus. The contents of the holding latch are presented on the lower byte of the AD15:AD0 bus.

The WRH signal is strobed for each write cycle; the WRL pin is unused. The signal on the BA0 pin indicates the LSB of TBLPTR, but it is left unconnected. Instead, the UB and LB signals are active to select both bytes. The obvious limitation to this method is that the table write must be done in pairs on a specific word boundary to correctly write a word location.

**FIGURE 6-2: 16-BIT WORD WRITE MODE EXAMPLE**



# PIC18F6520/8520/6620/8620/6720/8720

## 6.2.3 16-BIT BYTE SELECT MODE

Figure 6-3 shows an example of 16-bit Byte Select mode for PIC18F8X20 devices. This mode allows table write operations to word-wide external memories with byte selection capability. This generally includes both word-wide Flash and SRAM devices.

During a TBLWT cycle, the TABLAT data is presented on the upper and lower byte of the AD15:AD0 bus. The WRH signal is strobed for each write cycle; the WRL pin is not used. The BA0 or  $\overline{UB}/\overline{LB}$  signals are used to select the byte to be written, based on the Least Significant bit of the TBLPTR register.

Flash and SRAM devices use different control signal combinations to implement Byte Select mode. JEDEC standard Flash memories require that a controller I/O port pin be connected to the memory's BYTE/WORD pin to provide the select signal. They also use the BA0 signal from the controller as a byte address. JEDEC standard static RAM memories, on the other hand, use the  $\overline{UB}$  or  $\overline{LB}$  signals to select the byte.

**FIGURE 6-3: 16-BIT BYTE SELECT MODE EXAMPLE**



# PIC18F6520/8520/6620/8620/6720/8720

## 6.2.4 16-BIT MODE TIMING

The presentation of control signals on the external memory bus is different for the various operating modes. Typical signal timing diagrams are shown in Figure 6-4 through Figure 6-6.

**FIGURE 6-4: EXTERNAL MEMORY BUS TIMING FOR TBLRD (MICROPROCESSOR MODE)**

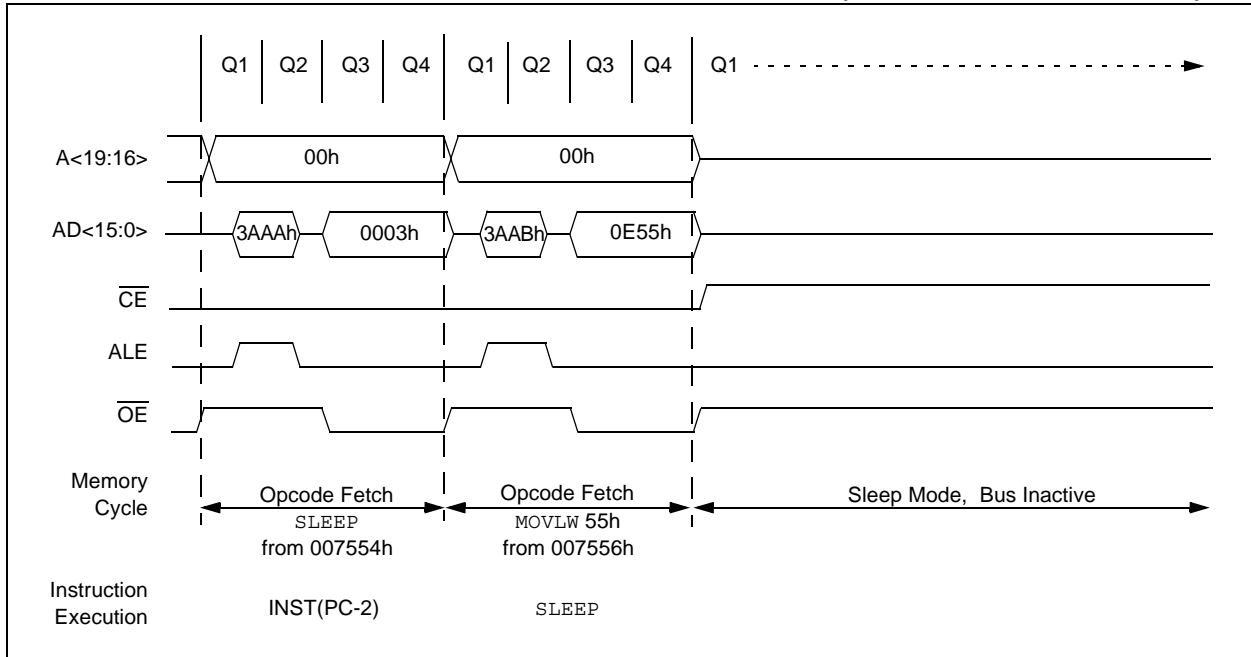


**FIGURE 6-5: EXTERNAL MEMORY BUS TIMING FOR TBLRD (EXTENDED MICROCONTROLLER MODE)**



# PIC18F6520/8520/6620/8620/6720/8720

**FIGURE 6-6: EXTERNAL MEMORY BUS TIMING FOR SLEEP (MICROPROCESSOR MODE)**



# PIC18F6520/8520/6620/8620/6720/8720

---

NOTES:

# PIC18F6520/8520/6620/8620/6720/8720

## 7.0 DATA EEPROM MEMORY

The data EEPROM is readable and writable during normal operation over the entire VDD range. The data memory is not directly mapped in the register file space. Instead, it is indirectly addressed through the Special Function Registers (SFR).

There are five SFRs used to read and write the program and data EEPROM memory. These registers are:

- EECON1
- EECON2
- EEDATA
- EEADRH
- EEADR

The EEPROM data memory allows byte read and write. When interfacing to the data memory block, EEDATA holds the 8-bit data for read/write. EEADR and EEADRH hold the address of the EEPROM location being accessed. These devices have 1024 bytes of data EEPROM with an address range from 00h to 3FFh.

The EEPROM data memory is rated for high erase/write cycles. A byte write automatically erases the location and writes the new data (erase-before-write). The write time is controlled by an on-chip timer. The write time will vary with voltage and temperature, as well as from chip to chip. Please refer to parameter D122 (see **Section 26.0 “Electrical Characteristics”**) for exact limits.

## 7.1 EEADR and EEADRH

The address register pair can address up to a maximum of 1024 bytes of data EEPROM. The two Most Significant bits of the address are stored in EEADRH, while the remaining eight Least Significant bits are stored in EEADR. The six Most Significant bits of EEADRH are unused and are read as '0'.

## 7.2 EECON1 and EECON2 Registers

EECON1 is the control register for EEPROM memory accesses.

EECON2 is not a physical register. Reading EECON2 will read all '0's. The EECON2 register is used exclusively in the EEPROM write sequence.

Control bits, RD and WR, initiate read and write operations, respectively. These bits cannot be cleared, only set, in software. They are cleared in hardware at the completion of the read or write operation. The inability to clear the WR bit in software prevents the accidental or premature termination of a write operation.

The WREN bit, when set, will allow a write operation. On power-up, the WREN bit is clear. The WRERR bit is set when a write operation is interrupted by a MCLR Reset or a WDT Time-out Reset during normal operation. In these situations, the user can check the WRERR bit and rewrite the location. It is necessary to reload the data and address registers (EEDATA and EEADR) due to the Reset condition forcing the contents of the registers to zero.

**Note:** Interrupt flag bit, EEIF in the PIR2 register, is set when write is complete. It must be cleared in software.

# PIC18F6520/8520/6620/8620/6720/8720

## REGISTER 7-1: EECON1 REGISTER (ADDRESS FA6h)

| R/W-x | R/W-x | U-0 | R/W-0 | R/W-x | R/W-0 | R/S-0 | R/S-0 |       |
|-------|-------|-----|-------|-------|-------|-------|-------|-------|
| EEPGD | CFGS  | —   | FREE  | WRERR | WREN  | WR    | RD    |       |
| bit 7 |       |     |       |       |       |       |       | bit 0 |

- bit 7 **EEPGD:** Flash Program/Data EEPROM Memory Select bit  
 1 = Access Flash program memory  
 0 = Access data EEPROM memory
- bit 6 **CFGS:** Flash Program/Data EEPROM or Configuration Select bit  
 1 = Access configuration or calibration registers  
 0 = Access Flash program or data EEPROM memory
- bit 5 **Unimplemented:** Read as '0'
- bit 4 **FREE:** Flash Row Erase Enable bit  
 1 = Erase the program memory row addressed by TBLPTR on the next WR command (cleared by completion of erase operation)  
 0 = Perform write only
- bit 3 **WRERR:** Flash Program/Data EEPROM Error Flag bit  
 1 = A write operation is prematurely terminated (any MCLR or any WDT Reset during self-timed programming in normal operation)  
 0 = The write operation completed  
**Note:** When a WRERR occurs, the EEPGD or FREE bits are not cleared. This allows tracing of the error condition.
- bit 2 **WREN:** Flash Program/Data EEPROM Write Enable bit  
 1 = Allows write cycles to Flash program/data EEPROM  
 0 = Inhibits write cycles to Flash program/data EEPROM
- bit 1 **WR:** Write Control bit  
 1 = Initiates a data EEPROM erase/write cycle, or a program memory erase cycle or write cycle. (The operation is self-timed and the bit is cleared by hardware once write is complete. The WR bit can only be set (not cleared) in software.)  
 0 = Write cycle to the EEPROM is complete
- bit 0 **RD:** Read Control bit  
 1 = Initiates an EEPROM read. (Read takes one cycle. RD is cleared in hardware. The RD bit can only be set (not cleared) in software. RD bit cannot be set when EEPGD = 1.)  
 0 = Does not initiate an EEPROM read

### Legend:

|                    |                  |  |
|--------------------|------------------|--|
| R = Readable bit   | W = Writable bit | U = Unimplemented bit, read as '0'         |
| - n = Value at POR | '1' = Bit is set | '0' = Bit is cleared    x = Bit is unknown |



# PIC18F6520/8520/6620/8620/6720/8720

## 7.3 Reading the Data EEPROM Memory

To read a data memory location, the user must write the address to the EEADRH:EEADR register pair, clear the EEPGD control bit (EECON1<7>), clear the CFGS

control bit (EECON1<6>) and then set the RD control bit (EECON1<0>). The data is available for the very next instruction cycle; therefore, the EEDATA register can be read by the next instruction. EEDATA will hold this value until another read operation, or until it is written to by the user (during a write operation).

### EXAMPLE 7-1: DATA EEPROM READ

```
MOVLW DATA_EE_ADDRH ;
MOVWF EEADRH          ; Upper bits of Data Memory Address to read
MOVLW DATA_EE_ADDR  ;
MOVWF EEADR           ; Lower bits of Data Memory Address to read
BCF   EECON1, EEPGD  ; Point to DATA memory
BCF   EECON1, CFGS   ; Access EEPROM
BSF   EECON1, RD     ; EEPROM Read
MOVF  EEDATA, W      ; W = EEDATA
```

## 7.4 Writing to the Data EEPROM Memory

To write an EEPROM data location, the address must first be written to the EEADRH:EEADR register pair and the data written to the EEDATA register. Then the sequence in Example 7-2 must be followed to initiate the write cycle.

The write will not initiate if the above sequence is not exactly followed (write 55h to EECON2, write AAh to EECON2, then set WR bit) for each byte. It is strongly recommended that interrupts be disabled during this code segment.

Additionally, the WREN bit in EECON1 must be set to enable writes. This mechanism prevents accidental writes to data EEPROM due to unexpected code execution (i.e., runaway programs). The WREN bit

should be kept clear at all times, except when updating the EEPROM. The WREN bit is not cleared by hardware

After a write sequence has been initiated, EECON1, EEADRH, EEADR and EEDATA cannot be modified. The WR bit will be inhibited from being set unless the WREN bit is set. Both WR and WREN cannot be set with the same instruction.

At the completion of the write cycle, the WR bit is cleared in hardware and the EEPROM Write Complete Interrupt Flag bit (EEIF) is set. The user may either enable this interrupt, or poll this bit. EEIF must be cleared by software.

### EXAMPLE 7-2: DATA EEPROM WRITE

```
MOVLW DATA_EE_ADDRH ;
MOVWF EEADRH          ; Upper bits of Data Memory Address to write
MOVLW DATA_EE_ADDR  ;
MOVWF EEADR           ; Lower bits of Data Memory Address to write
MOVLW DATA_EE_DATA  ;
MOVWF EEDATA          ; Data Memory Value to write
BCF   EECON1, EEPGD  ; Point to DATA memory
BCF   EECON1, CFGS   ; Access EEPROM
BSF   EECON1, WREN   ; Enable writes

BCF   INTCON, GIE    ; Disable Interrupts
MOVLW 55h             ;
Required MOVWF EECON2      ; Write 55h
Sequence MOVLW AAh       ;
MOVWF EECON2          ; Write AAh
BSF   EECON1, WR      ; Set WR bit to begin write
BSF   INTCON, GIE     ; Enable Interrupts

; User code execution
BCF   EECON1, WREN    ; Disable writes on write complete (EEIF set)
```

# PIC18F6520/8520/6620/8620/6720/8720

## 7.5 Write Verify

Depending on the application, good programming practice may dictate that the value written to the memory should be verified against the original value. This should be used in applications where excessive writes can stress bits near the specification limit.

## 7.6 Protection Against Spurious Write

There are conditions when the user may not want to write to the data EEPROM memory. To protect against spurious EEPROM writes, various mechanisms have been built-in. On power-up, the WREN bit is cleared. Also, the Power-up Timer (72 ms duration) prevents EEPROM write.

The write initiate sequence and the WREN bit together help prevent an accidental write during brown-out, power glitch, or software malfunction.

## 7.7 Operation During Code-Protect

Data EEPROM memory has its own code-protect mechanism. External read and write operations are disabled if either of these mechanisms are enabled.

The microcontroller itself can both read and write to the internal data EEPROM, regardless of the state of the code-protect configuration bit. Refer to **Section 23.0 “Special Features of the CPU”** for additional information.

## 7.8 Using the Data EEPROM

The data EEPROM is a high endurance, byte addressable array that has been optimized for the storage of frequently changing information (e.g., program variables or other data that are updated often). Frequently changing values will typically be updated more often than specification D124. If this is not the case, an array refresh must be performed. For this reason, variables that change infrequently (such as constants, IDs, calibration, etc.) should be stored in Flash program memory.

A simple data EEPROM refresh routine is shown in Example 7-3.

**Note:** If data EEPROM is only used to store constants and/or data that changes rarely, an array refresh is likely not required. See specification D124.

### EXAMPLE 7-3: DATA EEPROM REFRESH ROUTINE

```
CLRF    EEADR           ; Start at address 0
CLRF    EEADRH          ;
BCF     EECON1, CFGS    ; Set for memory
BCF     EECON1, EEPGD   ; Set for Data EEPROM
BCF     INTCON, GIE     ; Disable interrupts
BSF     EECON1, WREN    ; Enable writes
Loop    ; Loop to refresh array
        BSF     EECON1, RD      ; Read current address
        MOVLW  55h             ;
        MOVWF  EECON2          ; Write 55h
        MOVLW  AAh             ;
        MOVWF  EECON2          ; Write AAh
        BSF     EECON1, WR      ; Set WR bit to begin write
        BTFSC  EECON1, WR      ; Wait for write to complete
        BRA    $-2
        INCFSZ EEADR, F        ; Increment address
        BRA    Loop           ; Not zero, do it again
        INCFSZ EEADRH, F      ; Increment the high address
        BRA    Loop           ; Not zero, do it again

        BCF     EECON1, WREN    ; Disable writes
        BSF     INTCON, GIE     ; Enable interrupts
```

# PIC18F6520/8520/6620/8620/6720/8720

**TABLE 7-1: REGISTERS ASSOCIATED WITH DATA EEPROM MEMORY**

| Name   | Bit 7   | Bit 6     | Bit 5  | Bit 4  | Bit 3 | Bit 2  | Bit 1                 | Bit 0  | Value on POR, BOR | Value on all other Resets |
|--------|---|-----------|--------|--------|-------|--------|-----------------------|--------|-------------------|---------------------------|
| INTCON | GIE/GIEH  | PEIE/GIEL | TMR0IE | INT0IE | RBIE  | TMR0IF | INT0IF                | RBIF   | 0000 0000         | 0000 0000                 |
| EEADRH | —   | —         | —      | —      | —     | —      | EE Addr Register High |        | ---- --00         | ---- --00                 |
| EEADR  | EEPROM Address Register                             |           |        |        |       |        |                       |        | 0000 0000         | 0000 0000                 |
| EEDATA | EEPROM Data Register                                |           |        |        |       |        |                       |        | 0000 0000         | 0000 0000                 |
| EECON2 | EEPROM Control Register 2 (not a physical register) |           |        |        |       |        |                       |        | ---- ----         | ---- ----                 |
| EECON1 | EEPGD   | CFGS      | —      | FREE   | WRERR | WREN   | WR                    | RD     | xx-0 x000         | uu-0 u000                 |
| IPR2   | —   | CMIP      | —      | EEIP   | BCLIP | LVDIP  | TMR3IP                | CCP2IP | ---1 1111         | ---1 1111                 |
| PIR2   | —   | CMIF      | —      | EEIF   | BCLIF | LVDIF  | TMR3IF                | CCP2IF | ---0 0000         | ---0 0000                 |
| PIE2   | —   | CMIE      | —      | EEIE   | BCLIE | LVDIE  | TMR3IE                | CCP2IE | ---0 0000         | ---0 0000                 |

**Legend:** x = unknown, u = unchanged, r = reserved, — = unimplemented, read as '0'.  
Shaded cells are not used during Flash/EEPROM access.

# PIC18F6520/8520/6620/8620/6720/8720

---

NOTES:

# PIC18F6520/8520/6620/8620/6720/8720

## 8.0 8 X 8 HARDWARE MULTIPLIER

### 8.1 Introduction

An 8 x 8 hardware multiplier is included in the ALU of the PIC18FXX20 devices. By making the multiply a hardware operation, it completes in a single instruction cycle. This is an unsigned multiply that gives a 16-bit result. The result is stored in the 16-bit product register pair (PRODH:PRODL). The multiplier does not affect any flags in the ALUSTA register.

Making the 8 x 8 multiplier execute in a single cycle gives the following advantages:

- Higher computational throughput
- Reduces code size requirements for multiply algorithms

The performance increase allows the device to be used in applications previously reserved for Digital Signal Processors.

Table 8-1 shows a performance comparison between enhanced devices using the single-cycle hardware multiply and performing the same function without the hardware multiply.

## 8.2 Operation

Example 8-1 shows the sequence to do an 8 x 8 unsigned multiply. Only one instruction is required when one argument of the multiply is already loaded in the WREG register.

Example 8-2 shows the sequence to do an 8 x 8 signed multiply. To account for the sign bits of the arguments, each argument's Most Significant bit (MSb) is tested and the appropriate subtractions are done.

### EXAMPLE 8-1: 8 x 8 UNSIGNED MULTIPLY ROUTINE

```
MOVWF ARG1, W ;
MULWF ARG2 ; ARG1 * ARG2 ->
; PRODH:PRODL
```

### EXAMPLE 8-2: 8 x 8 SIGNED MULTIPLY ROUTINE

```
MOVWF ARG1, W ;
MULWF ARG2 ; ARG1 * ARG2 ->
; PRODH:PRODL
BTFSC ARG2, SB ; Test Sign Bit
SUBWF PRODH, F ; PRODH = PRODH
; - ARG1
MOVWF ARG2, W ;
BTFSC ARG1, SB ; Test Sign Bit
SUBWF PRODH, F ; PRODH = PRODH
; - ARG2
```

TABLE 8-1: PERFORMANCE COMPARISON

| Routine          | Multiply Method           | Program Memory (Words) | Cycles (Max) | Time     |          |         |
|------------------|---------------------------|------------------------|--------------|----------|----------|---------|
|                  |                           |                        |              | @ 40 MHz | @ 10 MHz | @ 4 MHz |
| 8 x 8 unsigned   | Without hardware multiply | 13                     | 69           | 6.9 μs   | 27.6 μs  | 69 μs   |
|                  | Hardware multiply         | 1                      | 1            | 100 ns   | 400 ns   | 1 μs    |
| 8 x 8 signed     | Without hardware multiply | 33                     | 91           | 9.1 μs   | 36.4 μs  | 91 μs   |
|                  | Hardware multiply         | 6                      | 6            | 600 ns   | 2.4 μs   | 6 μs    |
| 16 x 16 unsigned | Without hardware multiply | 21                     | 242          | 24.2 μs  | 96.8 μs  | 242 μs  |
|                  | Hardware multiply         | 28                     | 28           | 2.8 μs   | 11.2 μs  | 28 μs   |
| 16 x 16 signed   | Without hardware multiply | 52                     | 254          | 25.4 μs  | 102.6 μs | 254 μs  |
|                  | Hardware multiply         | 35                     | 40           | 4.0 μs   | 16.0 μs  | 40 μs   |

# PIC18F6520/8520/6620/8620/6720/8720

Example 8-3 shows the sequence to do a 16 x 16 unsigned multiply. Equation 8-1 shows the algorithm that is used. The 32-bit result is stored in four registers, RES3:RES0.

## EQUATION 8-1: 16 x 16 UNSIGNED MULTIPLICATION ALGORITHM

$$\begin{aligned} \text{RES3:RES0} &= \text{ARG1H:ARG1L} \cdot \text{ARG2H:ARG2L} \\ &= (\text{ARG1H} \cdot \text{ARG2H} \cdot 2^{16}) + \\ &\quad (\text{ARG1H} \cdot \text{ARG2L} \cdot 2^8) + \\ &\quad (\text{ARG1L} \cdot \text{ARG2H} \cdot 2^8) + \\ &\quad (\text{ARG1L} \cdot \text{ARG2L}) \end{aligned}$$

## EXAMPLE 8-3: 16 x 16 UNSIGNED MULTIPLY ROUTINE

```

MOVWF ARG1L, W
MULWF ARG2L      ; ARG1L * ARG2L ->
                  ; PRODH:PRODL

MOVFF PRODH, RES1 ;
MOVFF PRODL, RES0 ;
;

MOVF ARG1H, W
MULWF ARG2H      ; ARG1H * ARG2H ->
                  ; PRODH:PRODL

MOVFF PRODH, RES3 ;
MOVFF PRODL, RES2 ;
;

MOVF ARG1L, W
MULWF ARG2H      ; ARG1L * ARG2H ->
                  ; PRODH:PRODL

MOVF PRODL, W    ;
ADDWF RES1, F    ; Add cross
MOVF PRODH, W    ; products
ADDWFC RES2, F   ;
CLRF WREG        ;
ADDWFC RES3, F   ;
;

MOVF ARG1H, W    ;
MULWF ARG2L      ; ARG1H * ARG2L ->
                  ; PRODH:PRODL

MOVF PRODL, W    ;
ADDWF RES1, F    ; Add cross
MOVF PRODH, W    ; products
ADDWFC RES2, F   ;
CLRF WREG        ;
ADDWFC RES3, F   ;
;

MOVF ARG1H, W    ;
MULWF ARG2L      ; ARG1H * ARG2L ->
                  ; PRODH:PRODL

MOVF PRODL, W    ;
ADDWF RES1, F    ; Add cross
MOVF PRODH, W    ; products
ADDWFC RES2, F   ;
CLRF WREG        ;
ADDWFC RES3, F   ;
;

MOVF ARG1L, W    ;
MULWF ARG2L      ; ARG1L * ARG2L ->
                  ; PRODH:PRODL

MOVF PRODL, W    ;
ADDWF RES1, F    ; Add cross
MOVF PRODH, W    ; products
ADDWFC RES2, F   ;
CLRF WREG        ;
ADDWFC RES3, F   ;
;

```

Example 8-4 shows the sequence to do a 16 x 16 signed multiply. Equation 8-2 shows the algorithm used. The 32-bit result is stored in four registers, RES3:RES0. To account for the sign bits of the arguments, each argument pairs' Most Significant bit (MSb) is tested and the appropriate subtractions are done.

## EQUATION 8-2: 16 x 16 SIGNED MULTIPLICATION ALGORITHM

$$\begin{aligned} \text{RES3:RES0} &= \text{ARG1H:ARG1L} \cdot \text{ARG2H:ARG2L} \\ &= (\text{ARG1H} \cdot \text{ARG2H} \cdot 2^{16}) + \\ &\quad (\text{ARG1H} \cdot \text{ARG2L} \cdot 2^8) + \\ &\quad (\text{ARG1L} \cdot \text{ARG2H} \cdot 2^8) + \\ &\quad (\text{ARG1L} \cdot \text{ARG2L}) + \\ &\quad (-1 \cdot \text{ARG2H} < 7 > \cdot \text{ARG1H:ARG1L} \cdot 2^{16}) + \\ &\quad (-1 \cdot \text{ARG1H} < 7 > \cdot \text{ARG2H:ARG2L} \cdot 2^{16}) \end{aligned}$$

## EXAMPLE 8-4: 16 x 16 SIGNED MULTIPLY ROUTINE

```

MOVWF ARG1L, W
MULWF ARG2L      ; ARG1L * ARG2L ->
                  ; PRODH:PRODL

MOVFF PRODH, RES1 ;
MOVFF PRODL, RES0 ;
;

MOVF ARG1H, W
MULWF ARG2H      ; ARG1H * ARG2H ->
                  ; PRODH:PRODL

MOVFF PRODH, RES3 ;
MOVFF PRODL, RES2 ;
;

MOVF ARG1L, W
MULWF ARG2H      ; ARG1L * ARG2H ->
                  ; PRODH:PRODL

MOVF PRODL, W    ;
ADDWF RES1, F    ; Add cross
MOVF PRODH, W    ; products
ADDWFC RES2, F   ;
CLRF WREG        ;
ADDWFC RES3, F   ;
;

MOVF ARG1H, W    ;
MULWF ARG2L      ; ARG1H * ARG2L ->
                  ; PRODH:PRODL

MOVF PRODL, W    ;
ADDWF RES1, F    ; Add cross
MOVF PRODH, W    ; products
ADDWFC RES2, F   ;
CLRF WREG        ;
ADDWFC RES3, F   ;
;

BTFSF ARG2H, 7   ; ARG2H:ARG2L neg?
BRA SIGN_ARG1    ; no, check ARG1
MOVF ARG1L, W    ;
SUBWF RES2        ;
MOVF ARG1H, W    ;
SUBWFB RES3       ;
;

SIGN_ARG1
BTFSF ARG1H, 7   ; ARG1H:ARG1L neg?
BRA CONT_CODE    ; no, done
MOVF ARG2L, W    ;
SUBWF RES2        ;
MOVF ARG2H, W    ;
SUBWFB RES3       ;
;

CONT_CODE
:

```

## 9.0 INTERRUPTS

The PIC18FXX20 devices have multiple interrupt sources and an interrupt priority feature that allows each interrupt source to be assigned a high or a low priority level. The high priority interrupt vector is at 000008h, while the low priority interrupt vector is at 000018h. High priority interrupt events will override any low priority interrupts that may be in progress.

There are thirteen registers which are used to control interrupt operation. They are:

- RCON
- INTCON
- INTCON2
- INTCON3
- PIR1, PIR2, PIR3
- PIE1, PIE2, PIE3
- IPR1, IPR2, IPR3

It is recommended that the Microchip header files, supplied with MPLAB® IDE, be used for the symbolic bit names in these registers. This allows the assembler/compiler to automatically take care of the placement of these bits within the specified register.

Each interrupt source has three bits to control its operation. The functions of these bits are:

- Flag bit to indicate that an interrupt event occurred
- Enable bit that allows program execution to branch to the interrupt vector address when the flag bit is set
- Priority bit to select high priority or low priority

The interrupt priority feature is enabled by setting the IPEN bit (RCON<7>). When interrupt priority is enabled, there are two bits which enable interrupts globally. Setting the GIEH bit (INTCON<7>) enables all interrupts that have the priority bit set. Setting the GIEL bit (INTCON<6>) enables all interrupts that have the priority bit cleared. When the interrupt flag, enable bit and appropriate global interrupt enable bit are set, the interrupt will vector immediately to address 000008h or 000018h, depending on the priority level. Individual interrupts can be disabled through their corresponding enable bits.

When the IPEN bit is cleared (default state), the interrupt priority feature is disabled and interrupts are compatible with PIC® mid-range devices. In Compatibility mode, the interrupt priority bits for each source have no effect. INTCON<6> is the PEIE bit, which enables/disables all peripheral interrupt sources. INTCON<7> is the GIE bit, which enables/disables all interrupt sources. All interrupts branch to address 000008h in Compatibility mode.

When an interrupt is responded to, the Global Interrupt Enable bit is cleared to disable further interrupts. If the IPEN bit is cleared, this is the GIE bit. If interrupt priority levels are used, this will be either the GIEH or GIEL bit. High priority interrupt sources can interrupt a low priority interrupt.

The return address is pushed onto the stack and the PC is loaded with the interrupt vector address (000008h or 000018h). Once in the Interrupt Service Routine, the source(s) of the interrupt can be determined by polling the interrupt flag bits. The interrupt flag bits must be cleared in software before re-enabling interrupts to avoid recursive interrupts.

The “return from interrupt” instruction, `RETFIE`, exits the interrupt routine and sets the GIE bit (GIEH or GIEL if priority levels are used), which re-enables interrupts.

For external interrupt events, such as the INT pins or the PORTB input change interrupt, the interrupt latency will be three to four instruction cycles. The exact latency is the same for one or two-cycle instructions. Individual interrupt flag bits are set, regardless of the status of their corresponding enable bit or the GIE bit.

# PIC18F6520/8520/6620/8620/6720/8720

**FIGURE 9-1: INTERRUPT LOGIC**





# PIC18F6520/8520/6620/8620/6720/8720

## 9.1 INTCON Registers

The INTCON registers are readable and writable registers, which contain various enable, priority and flag bits.

**Note:** Interrupt flag bits are set when an interrupt condition occurs, regardless of the state of its corresponding enable bit or the global enable bit. User software should ensure the appropriate interrupt flag bits are clear prior to enabling an interrupt. This feature allows for software polling.

### REGISTER 9-1: INTCON REGISTER

| R/W-0    | R/W-0     | R/W-0  | R/W-0  | R/W-0 | R/W-0  | R/W-0  | R/W-x |
|----------|-----------|--------|--------|-------|--------|--------|-------|
| GIE/GIEH | PEIE/GIEL | TMR0IE | INT0IE | RBIE  | TMR0IF | INT0IF | RBIF  |
| bit 7    |           |        |        |       |        |        | bit 0 |

- bit 7 **GIE/GIEH:** Global Interrupt Enable bit  
When IPEN (RCON<7>) = 0:  
 1 = Enables all unmasked interrupts  
 0 = Disables all interrupts  
When IPEN (RCON<7>) = 1:  
 1 = Enables all high priority interrupts  
 0 = Disables all interrupts
- bit 6 **PEIE/GIEL:** Peripheral Interrupt Enable bit  
When IPEN (RCON<7>) = 0:  
 1 = Enables all unmasked peripheral interrupts  
 0 = Disables all peripheral interrupts  
When IPEN (RCON<7>) = 1:  
 1 = Enables all low priority peripheral interrupts  
 0 = Disables all low priority peripheral interrupts
- bit 5 **TMR0IE:** TMR0 Overflow Interrupt Enable bit  
 1 = Enables the TMR0 overflow interrupt  
 0 = Disables the TMR0 overflow interrupt
- bit 4 **INT0IE:** INT0 External Interrupt Enable bit  
 1 = Enables the INT0 external interrupt  
 0 = Disables the INT0 external interrupt
- bit 3 **RBIE:** RB Port Change Interrupt Enable bit  
 1 = Enables the RB port change interrupt  
 0 = Disables the RB port change interrupt
- bit 2 **TMR0IF:** TMR0 Overflow Interrupt Flag bit  
 1 = TMR0 register has overflowed (must be cleared in software)  
 0 = TMR0 register did not overflow
- bit 1 **INT0IF:** INT0 External Interrupt Flag bit  
 1 = The INT0 external interrupt occurred (must be cleared in software)  
 0 = The INT0 external interrupt did not occur
- bit 0 **RBIF:** RB Port Change Interrupt Flag bit  
 1 = At least one of the RB7:RB4 pins changed state (must be cleared in software)  
 0 = None of the RB7:RB4 pins have changed state

**Note:** A mismatch condition will continue to set this bit. Reading PORTB will end the mismatch condition and allow the bit to be cleared.

**Legend:**

|                    |                  |  |
|--------------------|------------------|--|
| R = Readable bit   | W = Writable bit | U = Unimplemented bit, read as '0'         |
| - n = Value at POR | '1' = Bit is set | '0' = Bit is cleared    x = Bit is unknown |

# PIC18F6520/8520/6620/8620/6720/8720

## REGISTER 9-2: INTCON2 REGISTER

|                          |         |         |         |         |        |        |       |
|--------------------------|---------|---------|---------|---------|--------|--------|-------|
| R/W-1                    | R/W-1   | R/W-1   | R/W-1   | R/W-1   | R/W-1  | R/W-1  | R/W-1 |
| $\overline{\text{RBPU}}$ | INTEDG0 | INTEDG1 | INTEDG2 | INTEDG3 | TMR0IP | INT3IP | RBIP  |
| bit 7                    |         |         |         |         |        |        | bit 0 |

- bit 7  **$\overline{\text{RBPU}}$** : PORTB Pull-up Enable bit  
 1 = All PORTB pull-ups are disabled  
 0 = PORTB pull-ups are enabled by individual port latch values
- bit 6 **INTEDG0**: External Interrupt 0 Edge Select bit  
 1 = Interrupt on rising edge  
 0 = Interrupt on falling edge
- bit 5 **INTEDG1**: External Interrupt 1 Edge Select bit  
 1 = Interrupt on rising edge  
 0 = Interrupt on falling edge
- bit 4 **INTEDG2**: External Interrupt 2 Edge Select bit  
 1 = Interrupt on rising edge  
 0 = Interrupt on falling edge
- bit 3 **INTEDG3**: External Interrupt 3 Edge Select bit  
 1 = Interrupt on rising edge  
 0 = Interrupt on falling edge
- bit 2 **TMR0IP**: TMR0 Overflow Interrupt Priority bit  
 1 = High priority  
 0 = Low priority
- bit 1 **INT3IP**: INT3 External Interrupt Priority bit  
 1 = High priority  
 0 = Low priority
- bit 0 **RBIP**: RB Port Change Interrupt Priority bit  
 1 = High priority  
 0 = Low priority

### Legend:

R = Readable bit                      W = Writable bit                      U = Unimplemented bit, read as '0'  
 - n = Value at POR                      '1' = Bit is set                      '0' = Bit is cleared                      x = Bit is unknown

**Note:** Interrupt flag bits are set when an interrupt condition occurs, regardless of the state of its corresponding enable bit or the global enable bit. User software should ensure the appropriate interrupt flag bits are clear prior to enabling an interrupt. This feature allows for software polling.

# PIC18F6520/8520/6620/8620/6720/8720

## REGISTER 9-3: INTCON3 REGISTER

| R/W-1  | R/W-1  | R/W-0  | R/W-0  | R/W-0  | R/W-0  | R/W-0  | R/W-0  |
|--------|--------|--------|--------|--------|--------|--------|--------|
| INT2IP | INT1IP | INT3IE | INT2IE | INT1IE | INT3IF | INT2IF | INT1IF |

bit 7 bit 0

- bit 7 **INT2IP:** INT2 External Interrupt Priority bit  
1 = High priority  
0 = Low priority
- bit 6 **INT1IP:** INT1 External Interrupt Priority bit  
1 = High priority  
0 = Low priority
- bit 5 **INT3IE:** INT3 External Interrupt Enable bit  
1 = Enables the INT3 external interrupt  
0 = Disables the INT3 external interrupt
- bit 4 **INT2IE:** INT2 External Interrupt Enable bit  
1 = Enables the INT2 external interrupt  
0 = Disables the INT2 external interrupt
- bit 3 **INT1IE:** INT1 External Interrupt Enable bit  
1 = Enables the INT1 external interrupt  
0 = Disables the INT1 external interrupt
- bit 2 **INT3IF:** INT3 External Interrupt Flag bit  
1 = The INT3 external interrupt occurred (must be cleared in software)  
0 = The INT3 external interrupt did not occur
- bit 1 **INT2IF:** INT2 External Interrupt Flag bit  
1 = The INT2 external interrupt occurred (must be cleared in software)  
0 = The INT2 external interrupt did not occur
- bit 0 **INT1IF:** INT1 External Interrupt Flag bit  
1 = The INT1 external interrupt occurred (must be cleared in software)  
0 = The INT1 external interrupt did not occur

### Legend:

R = Readable bit                      W = Writable bit                      U = Unimplemented bit, read as '0'  
- n = Value at POR                      '1' = Bit is set                      '0' = Bit is cleared                      x = Bit is unknown

**Note:** Interrupt flag bits are set when an interrupt condition occurs, regardless of the state of its corresponding enable bit or the global enable bit. User software should ensure the appropriate interrupt flag bits are clear prior to enabling an interrupt. This feature allows for software polling.

# PIC18F6520/8520/6620/8620/6720/8720

## 9.2 PIR Registers

The PIR registers contain the individual flag bits for the peripheral interrupts. Due to the number of peripheral interrupt sources, there are three Peripheral Interrupt Flag Registers (PIR1, PIR2 and PIR3).

**Note 1:** Interrupt flag bits are set when an interrupt condition occurs, regardless of the state of its corresponding enable bit or the global enable bit, GIE (INTCON<7>).

**2:** User software should ensure the appropriate interrupt flag bits are cleared prior to enabling an interrupt and after servicing that interrupt.

### REGISTER 9-4: PIR1: PERIPHERAL INTERRUPT REQUEST (FLAG) REGISTER 1

|                      |       |       |       |       |        |        |        |
|----------------------|-------|-------|-------|-------|--------|--------|--------|
| R/W-0                | R/W-0 | R-0   | R-0   | R/W-0 | R/W-0  | R/W-0  | R/W-0  |
| PSPIF <sup>(1)</sup> | ADIF  | RC1IF | TX1IF | SSPIF | CCP1IF | TMR2IF | TMR1IF |
| bit 7                |       |       |       |       |        |        | bit 0  |

- bit 7 **PSPIF:** Parallel Slave Port Read/Write Interrupt Flag bit<sup>(1)</sup>  
 1 = A read or a write operation has taken place (must be cleared in software)  
 0 = No read or write has occurred
- bit 6 **ADIF:** A/D Converter Interrupt Flag bit  
 1 = An A/D conversion completed (must be cleared in software)  
 0 = The A/D conversion is not complete
- bit 5 **RC1IF:** USART1 Receive Interrupt Flag bit  
 1 = The USART1 receive buffer, RCREG, is full (cleared when RCREG is read)  
 0 = The USART1 receive buffer is empty
- bit 4 **TX1IF:** USART Transmit Interrupt Flag bit  
 1 = The USART1 transmit buffer, TXREG, is empty (cleared when TXREG is written)  
 0 = The USART1 transmit buffer is full
- bit 3 **SSPIF:** Master Synchronous Serial Port Interrupt Flag bit  
 1 = The transmission/reception is complete (must be cleared in software)  
 0 = Waiting to transmit/receive
- bit 2 **CCP1IF:** CCP1 Interrupt Flag bit  
Capture mode:  
 1 = A TMR1 register capture occurred (must be cleared in software)  
 0 = No TMR1 register capture occurred  
Compare mode:  
 1 = A TMR1 register compare match occurred (must be cleared in software)  
 0 = No TMR1 register compare match occurred  
PWM mode:  
 Unused in this mode.
- bit 1 **TMR2IF:** TMR2 to PR2 Match Interrupt Flag bit  
 1 = TMR2 to PR2 match occurred (must be cleared in software)  
 0 = No TMR2 to PR2 match occurred
- bit 0 **TMR1IF:** TMR1 Overflow Interrupt Flag bit  
 1 = TMR1 register overflowed (must be cleared in software)  
 0 = TMR1 register did not overflow

**Note 1:** Enabled only in Microcontroller mode for PIC18F8X20 devices.

**Legend:**

|                    |                  |  |
|--------------------|------------------|--|
| R = Readable bit   | W = Writable bit | U = Unimplemented bit, read as '0'           |
| - n = Value at POR | '1' = Bit is set | '0' = Bit is cleared      x = Bit is unknown |

# PIC18F6520/8520/6620/8620/6720/8720

## REGISTER 9-5: PIR2: PERIPHERAL INTERRUPT REQUEST (FLAG) REGISTER 2

| U-0   | R/W-0 | U-0 | R/W-0 | R/W-0 | R/W-0 | R/W-0  | R/W-0  |       |
|-------|-------|-----|-------|-------|-------|--------|--------|-------|
| —     | CMIF  | —   | EEIF  | BCLIF | LVDIF | TMR3IF | CCP2IF |       |
| bit 7 |       |     |       |       |       |        |        | bit 0 |

- bit 7 **Unimplemented:** Read as '0'
- bit 6 **CMIF:** Comparator Interrupt Flag bit  
 1 = The comparator input has changed (must be cleared in software)  
 0 = The comparator input has not changed
- bit 5 **Unimplemented:** Read as '0'
- bit 4 **EEIF:** Data EEPROM/Flash Write Operation Interrupt Flag bit  
 1 = The write operation is complete (must be cleared in software)  
 0 = The write operation is not complete, or has not been started
- bit 3 **BCLIF:** Bus Collision Interrupt Flag bit  
 1 = A bus collision occurred while the SSP module (configured in I<sup>2</sup>C Master mode) was transmitting (must be cleared in software)  
 0 = No bus collision occurred
- bit 2 **LVDIF:** Low-Voltage Detect Interrupt Flag bit  
 1 = A low-voltage condition occurred (must be cleared in software)  
 0 = The device voltage is above the Low-Voltage Detect trip point
- bit 1 **TMR3IF:** TMR3 Overflow Interrupt Flag bit  
 1 = TMR3 register overflowed (must be cleared in software)  
 0 = TMR3 register did not overflow
- bit 0 **CCP2IF:** CCP2 Interrupt Flag bit  
Capture mode:  
 1 = A TMR1 or TMR3 register capture occurred (must be cleared in software)  
 0 = No TMR1 or TMR3 register capture occurred  
Compare mode:  
 1 = A TMR1 or TMR3 register compare match occurred (must be cleared in software)  
 0 = No TMR1 or TMR3 register compare match occurred  
PWM mode:  
 Unused in this mode.

### Legend:

|                    |                  |  |
|--------------------|------------------|--|
| R = Readable bit   | W = Writable bit | U = Unimplemented bit, read as '0'         |
| - n = Value at POR | '1' = Bit is set | '0' = Bit is cleared    x = Bit is unknown |

# PIC18F6520/8520/6620/8620/6720/8720

## REGISTER 9-6: PIR3: PERIPHERAL INTERRUPT REQUEST (FLAG) REGISTER 3

| U-0   | U-0 | R-0   | R-0   | R/W-0  | R/W-0  | R/W-0  | R/W-0  |       |
|-------|-----|-------|-------|--------|--------|--------|--------|-------|
| —     | —   | RC2IF | TX2IF | TMR4IF | CCP5IF | CCP4IF | CCP3IF |       |
| bit 7 |     |       |       |        |        |        |        | bit 0 |

- bit 7-6 **Unimplemented:** Read as '0'
- bit 5 **RC2IF:** USART2 Receive Interrupt Flag bit  
 1 = The USART2 receive buffer, RCREG, is full (cleared when RCREG is read)  
 0 = The USART2 receive buffer is empty
- bit 4 **TX2IF:** USART2 Transmit Interrupt Flag bit  
 1 = The USART2 transmit buffer, TXREG, is empty (cleared when TXREG is written)  
 0 = The USART2 transmit buffer is full
- bit 3 **TMR4IF:** TMR3 Overflow Interrupt Flag bit  
 1 = TMR4 register overflowed (must be cleared in software)  
 0 = TMR4 register did not overflow
- bit 2-0 **CCPxIF:** CCPx Interrupt Flag bit (CCP Modules 3, 4 and 5)  
Capture mode:  
 1 = A TMR1 or TMR3 register capture occurred (must be cleared in software)  
 0 = No TMR1 or TMR3 register capture occurred  
Compare mode:  
 1 = A TMR1 or TMR3 register compare match occurred (must be cleared in software)  
 0 = No TMR1 or TMR3 register compare match occurred  
PWM mode:  
 Unused in this mode.

### Legend:

|                    |                  |  |
|--------------------|------------------|--|
| R = Readable bit   | W = Writable bit | U = Unimplemented bit, read as '0'           |
| - n = Value at POR | '1' = Bit is set | '0' = Bit is cleared      x = Bit is unknown |

# PIC18F6520/8520/6620/8620/6720/8720

## 9.3 PIE Registers

The PIE registers contain the individual enable bits for the peripheral interrupts. Due to the number of peripheral interrupt sources, there are three Peripheral Interrupt Enable registers (PIE1, PIE2 and PIE3). When the IPEN bit (RCON<7>) is '0', the PEIE bit must be set to enable any of these peripheral interrupts.

### REGISTER 9-7: PIE1: PERIPHERAL INTERRUPT ENABLE REGISTER 1

| R/W-0                | R/W-0 | R/W-0 | R/W-0 | R/W-0 | R/W-0  | R/W-0  | R/W-0  |
|----------------------|-------|-------|-------|-------|--------|--------|--------|
| PSPIE <sup>(1)</sup> | ADIE  | RC1IE | TX1IE | SSPIE | CCP1IE | TMR2IE | TMR1IE |
| bit 7                |       |       |       |       |        |        | bit 0  |

- bit 7 **PSPIE:** Parallel Slave Port Read/Write Interrupt Enable bit<sup>(1)</sup>  
1 = Enables the PSP read/write interrupt  
0 = Disables the PSP read/write interrupt
- bit 6 **ADIE:** A/D Converter Interrupt Enable bit  
1 = Enables the A/D interrupt  
0 = Disables the A/D interrupt
- bit 5 **RC1IE:** USART1 Receive Interrupt Enable bit  
1 = Enables the USART1 receive interrupt  
0 = Disables the USART1 receive interrupt
- bit 4 **TX1IE:** USART1 Transmit Interrupt Enable bit  
1 = Enables the USART1 transmit interrupt  
0 = Disables the USART1 transmit interrupt
- bit 3 **SSPIE:** Master Synchronous Serial Port Interrupt Enable bit  
1 = Enables the MSSP interrupt  
0 = Disables the MSSP interrupt
- bit 2 **CCP1IE:** CCP1 Interrupt Enable bit  
1 = Enables the CCP1 interrupt  
0 = Disables the CCP1 interrupt
- bit 1 **TMR2IE:** TMR2 to PR2 Match Interrupt Enable bit  
1 = Enables the TMR2 to PR2 match interrupt  
0 = Disables the TMR2 to PR2 match interrupt
- bit 0 **TMR1IE:** TMR1 Overflow Interrupt Enable bit  
1 = Enables the TMR1 overflow interrupt  
0 = Disables the TMR1 overflow interrupt

**Note 1:** Enabled only in Microcontroller mode for PIC18F8X20 devices.

| Legend:            |                  |                                    |                    |
|--------------------|------------------|------------------------------------|--------------------|
| R = Readable bit   | W = Writable bit | U = Unimplemented bit, read as '0' |                    |
| - n = Value at POR | '1' = Bit is set | '0' = Bit is cleared               | x = Bit is unknown |

# PIC18F6520/8520/6620/8620/6720/8720

## REGISTER 9-8: PIE2: PERIPHERAL INTERRUPT ENABLE REGISTER 2

| U-0   | R/W-0 | U-0 | R/W-0 | R/W-0 | R/W-0 | R/W-0  | R/W-0  |
|-------|-------|-----|-------|-------|-------|--------|--------|
| —     | CMIE  | —   | EEIE  | BCLIE | LVDIE | TMR3IE | CCP2IE |
| bit 7 |       |     |       |       |       |        | bit 0  |

- bit 7     **Unimplemented:** Read as '0'
- bit 6     **CMIE:** Comparator Interrupt Enable bit  
1 = Enables the comparator interrupt  
0 = Disables the comparator interrupt
- bit 5     **Unimplemented:** Read as '0'
- bit 4     **EEIE:** Data EEPROM/Flash Write Operation Interrupt Enable bit  
1 = Enables the write operation interrupt  
0 = Disables the write operation interrupt
- bit 3     **BCLIE:** Bus Collision Interrupt Enable bit  
1 = Enables the bus collision interrupt  
0 = Disables the bus collision interrupt
- bit 2     **LVDIE:** Low-Voltage Detect Interrupt Enable bit  
1 = Enables the Low-Voltage Detect interrupt  
0 = Disables the Low-Voltage Detect interrupt
- bit 1     **TMR3IE:** TMR3 Overflow Interrupt Enable bit  
1 = Enables the TMR3 overflow interrupt  
0 = Disables the TMR3 overflow interrupt
- bit 0     **CCP2IE:** CCP2 Interrupt Enable bit  
1 = Enables the CCP2 interrupt  
0 = Disables the CCP2 interrupt

| <b>Legend:</b>     |                  |                                    |                    |
|--------------------|------------------|------------------------------------|--------------------|
| R = Readable bit   | W = Writable bit | U = Unimplemented bit, read as '0' |                    |
| - n = Value at POR | '1' = Bit is set | '0' = Bit is cleared               | x = Bit is unknown |



# PIC18F6520/8520/6620/8620/6720/8720

## REGISTER 9-9: PIE3: PERIPHERAL INTERRUPT ENABLE REGISTER 3

| U-0   | U-0 | R/W-0 | R/W-0 | R/W-0  | R/W-0  | R/W-0  | R/W-0  |       |
|-------|-----|-------|-------|--------|--------|--------|--------|-------|
| —     | —   | RC2IE | TX2IE | TMR4IE | CCP5IE | CCP4IE | CCP3IE |       |
| bit 7 |     |       |       |        |        |        |        | bit 0 |

- bit 7-6 **Unimplemented:** Read as '0'
- bit 5 **RC2IE:** USART2 Receive Interrupt Enable bit  
 1 = Enables the USART2 receive interrupt  
 0 = Disables the USART2 receive interrupt
- bit 4 **TX2IE:** USART2 Transmit Interrupt Enable bit  
 1 = Enables the USART2 transmit interrupt  
 0 = Disables the USART2 transmit interrupt
- bit 3 **TMR4IE:** TMR4 to PR4 Match Interrupt Enable bit  
 1 = Enables the TMR4 to PR4 match interrupt  
 0 = Disables the TMR4 to PR4 match interrupt
- bit 2-0 **CCPxIE:** CCPx Interrupt Enable bit (CCP Modules 3, 4 and 5)  
 1 = Enables the CCPx interrupt  
 0 = Disables the CCPx interrupt

### Legend:

|                    |                  |  |
|--------------------|------------------|--|
| R = Readable bit   | W = Writable bit | U = Unimplemented bit, read as '0'         |
| - n = Value at POR | '1' = Bit is set | '0' = Bit is cleared    x = Bit is unknown |

# PIC18F6520/8520/6620/8620/6720/8720

## 9.4 IPR Registers

The IPR registers contain the individual priority bits for the peripheral interrupts. Due to the number of peripheral interrupt sources, there are three Peripheral Interrupt Priority Registers (IPR1, IPR2 and IPR3). The operation of the priority bits requires that the Interrupt Priority Enable (IPEN) bit be set.

### REGISTER 9-10: IPR1: PERIPHERAL INTERRUPT PRIORITY REGISTER 1

| R/W-1                | R/W-1 | R/W-1 | R/W-1 | R/W-1 | R/W-1  | R/W-1  | R/W-1  |
|----------------------|-------|-------|-------|-------|--------|--------|--------|
| PSPIP <sup>(1)</sup> | ADIP  | RC1IP | TX1IP | SSPIP | CCP1IP | TMR2IP | TMR1IP |
| bit 7                |       |       |       |       |        |        | bit 0  |

- bit 7 **PSPIP:** Parallel Slave Port Read/Write Interrupt Priority bit<sup>(1)</sup>  
1 = High priority  
0 = Low priority
- bit 6 **ADIP:** A/D Converter Interrupt Priority bit  
1 = High priority  
0 = Low priority
- bit 5 **RC1IP:** USART1 Receive Interrupt Priority bit  
1 = High priority  
0 = Low priority
- bit 4 **TX1IP:** USART1 Transmit Interrupt Priority bit  
1 = High priority  
0 = Low priority
- bit 3 **SSPIP:** Master Synchronous Serial Port Interrupt Priority bit  
1 = High priority  
0 = Low priority
- bit 2 **CCP1IP:** CCP1 Interrupt Priority bit  
1 = High priority  
0 = Low priority
- bit 1 **TMR2IP:** TMR2 to PR2 Match Interrupt Priority bit  
1 = High priority  
0 = Low priority
- bit 0 **TMR1IP:** TMR1 Overflow Interrupt Priority bit  
1 = High priority  
0 = Low priority

**Note 1:** Enabled only in Microcontroller mode for PIC18F8X20 devices.

|                    |                  |                                    |                    |
|--------------------|------------------|------------------------------------|--------------------|
| <b>Legend:</b>     |                  |                                    |                    |
| R = Readable bit   | W = Writable bit | U = Unimplemented bit, read as '0' |                    |
| - n = Value at POR | '1' = Bit is set | '0' = Bit is cleared               | x = Bit is unknown |

# PIC18F6520/8520/6620/8620/6720/8720

## REGISTER 9-11: IPR2: PERIPHERAL INTERRUPT PRIORITY REGISTER 2

| U-0   | R/W-1 | U-0 | R/W-1 | R/W-1 | R/W-1 | R/W-1  | R/W-1  |       |
|-------|-------|-----|-------|-------|-------|--------|--------|-------|
| —     | CMIP  | —   | EEIP  | BCLIP | LVDIP | TMR3IP | CCP2IP |       |
| bit 7 |       |     |       |       |       |        |        | bit 0 |

- bit 7      **Unimplemented:** Read as '0'
- bit 6      **CMIP:** Comparator Interrupt Priority bit  
1 = High priority  
0 = Low priority
- bit 5      **Unimplemented:** Read as '0'
- bit 4      **EEIP:** Data EEPROM/Flash Write Operation Interrupt Priority bit  
1 = High priority  
0 = Low priority
- bit 3      **BCLIP:** Bus Collision Interrupt Priority bit  
1 = High priority  
0 = Low priority
- bit 2      **LVDIP:** Low-Voltage Detect Interrupt Priority bit  
1 = High priority  
0 = Low priority
- bit 1      **TMR3IP:** TMR3 Overflow Interrupt Priority bit  
1 = High priority  
0 = Low priority
- bit 0      **CCP2IP:** CCP2 Interrupt Priority bit  
1 = High priority  
0 = Low priority

|                    |                  |                                    |                    |
|--------------------|------------------|------------------------------------|--------------------|
| <b>Legend:</b>     |                  |                                    |                    |
| R = Readable bit   | W = Writable bit | U = Unimplemented bit, read as '0' |                    |
| - n = Value at POR | '1' = Bit is set | '0' = Bit is cleared               | x = Bit is unknown |

# PIC18F6520/8520/6620/8620/6720/8720

## REGISTER 9-12: IPR3: PERIPHERAL INTERRUPT PRIORITY REGISTER 3

| U-0   | U-0 | R/W-1 | R/W-1 | R/W-1  | R/W-1  | R/W-1  | R/W-1  |       |
|-------|-----|-------|-------|--------|--------|--------|--------|-------|
| —     | —   | RC2IP | TX2IP | TMR4IP | CCP5IP | CCP4IP | CCP3IP |       |
| bit 7 |     |       |       |        |        |        |        | bit 0 |

- bit 7-6     **Unimplemented:** Read as '0'
- bit 5     **RC2IP:** USART2 Receive Interrupt Priority bit  
1 = High priority  
0 = Low priority
- bit 4     **TX2IP:** USART2 Transmit Interrupt Priority bit  
1 = High priority  
0 = Low priority
- bit 3     **TMR4IP:** TMR4 to PR4 Match Interrupt Priority bit  
1 = High priority  
0 = Low priority
- bit 2-0   **CCPxIP:** CCPx Interrupt Priority bit (CCP Modules 3, 4 and 5)  
1 = High priority  
0 = Low priority

|                    |                  |                                    |                    |
|--------------------|------------------|------------------------------------|--------------------|
| <b>Legend:</b>     |                  |                                    |                    |
| R = Readable bit   | W = Writable bit | U = Unimplemented bit, read as '0' |                    |
| - n = Value at POR | '1' = Bit is set | '0' = Bit is cleared               | x = Bit is unknown |

# PIC18F6520/8520/6620/8620/6720/8720

## 9.5 RCON Register

The RCON register contains the IPEN bit, which is used to enable prioritized interrupts. The functions of the other bits in this register are discussed in more detail in **Section 4.14 “RCON Register”**.

### REGISTER 9-13: RCON REGISTER

| R/W-0 | U-0 | U-0 | R/W-1           | R-1             | R-1             | R/W-0            | R/W-0            |       |
|-------|-----|-----|-----------------|-----------------|-----------------|------------------|------------------|-------|
| IPEN  | —   | —   | $\overline{RI}$ | $\overline{TO}$ | $\overline{PD}$ | $\overline{POR}$ | $\overline{BOR}$ |       |
| bit 7 |     |     |                 |                 |                 |                  |                  | bit 0 |

- bit 7 **IPEN:** Interrupt Priority Enable bit  
1 = Enable priority levels on interrupts  
0 = Disable priority levels on interrupts (PIC16 Compatibility mode)
- bit 6-5 **Unimplemented:** Read as '0'
- bit 4  **$\overline{RI}$ :** RESET Instruction Flag bit  
For details of bit operation, see Register 4-4.
- bit 3  **$\overline{TO}$ :** Watchdog Time-out Flag bit  
For details of bit operation, see Register 4-4.
- bit 2  **$\overline{PD}$ :** Power-Down Detection Flag bit  
For details of bit operation, see Register 4-4.
- bit 1  **$\overline{POR}$ :** Power-on Reset Status bit  
For details of bit operation, see Register 4-4.
- bit 0  **$\overline{BOR}$ :** Brown-out Reset Status bit  
For details of bit operation, see Register 4-4.

**Legend:**

|                    |                  |  |
|--------------------|------------------|--|
| R = Readable bit   | W = Writable bit | U = Unimplemented bit, read as '0'         |
| - n = Value at POR | '1' = Bit is set | '0' = Bit is cleared    x = Bit is unknown |

# PIC18F6520/8520/6620/8620/6720/8720

## 9.6 INT0 Interrupt

External interrupts on the RB0/INT0, RB1/INT1, RB2/INT2 and RB3/INT3 pins are edge-triggered: either rising, if the corresponding INTEDGx bit is set in the INTCON2 register, or falling, if the INTEDGx bit is clear. When a valid edge appears on the RBx/INTx pin, the corresponding flag bit, INTxF, is set. This interrupt can be disabled by clearing the corresponding enable bit, INTxE. Flag bit, INTxF, must be cleared in software in the Interrupt Service Routine before re-enabling the interrupt. All external interrupts (INT0, INT1, INT2 and INT3) can wake-up the processor from Sleep if bit INTxIE was set prior to going into Sleep. If the Global Interrupt Enable bit, GIE, is set, the processor will branch to the interrupt vector following wake-up.

The interrupt priority for INT, INT2 and INT3 is determined by the value contained in the interrupt priority bits: INT1IP (INTCON3<6>), INT2IP (INTCON3<7>) and INT3IP (INTCON2<1>). There is no priority bit associated with INT0; it is always a high priority interrupt source.

## 9.7 TMR0 Interrupt

In 8-bit mode (which is the default), an overflow in the TMR0 register (FFh → 00h) will set flag bit TMR0IF. In 16-bit mode, an overflow in the TMR0H:TMR0L registers (FFFFh → 0000h) will set flag bit TMR0IF. The interrupt can be enabled/disabled by setting/clearing enable bit, TMR0IE (INTCON<5>). Interrupt priority for Timer0 is determined by the value contained in the interrupt priority bit, TMR0IP (INTCON2<2>). See **Section 11.0 “Timer0 Module”** for further details on the Timer0 module.

## 9.8 PORTB Interrupt-on-Change

An input change on PORTB<7:4> sets flag bit, RBIF (INTCON<0>). The interrupt can be enabled/disabled by setting/clearing enable bit, RBIE (INTCON<3>). Interrupt priority for PORTB interrupt-on-change is determined by the value contained in the interrupt priority bit, RBIP (INTCON2<0>).

## 9.9 Context Saving During Interrupts

During an interrupt, the return PC value is saved on the stack. Additionally, the WREG, Status and BSR registers are saved on the fast return stack. If a fast return from interrupt is not used (see **Section 4.3 “Fast Register Stack”**), the user may need to save the WREG, Status and BSR registers in software. Depending on the user’s application, other registers may also need to be saved. Example 9-1 saves and restores the WREG, Status and BSR registers during an Interrupt Service Routine.

### EXAMPLE 9-1: SAVING STATUS, WREG AND BSR REGISTERS IN RAM

```
MOVWF  W_TEMP                ; W_TEMP is in virtual bank
MOVFF  STATUS, STATUS_TEMP   ; STATUS_TEMP located anywhere
MOVFF  BSR, BSR_TEMP         ; BSR located anywhere
;
; USER ISR CODE
;
MOVFF  BSR_TEMP, BSR         ; Restore BSR
MOVF   W_TEMP, W             ; Restore WREG
MOVFF  STATUS_TEMP, STATUS   ; Restore STATUS
```

# PIC18F6520/8520/6620/8620/6720/8720

## 10.0 I/O PORTS

Depending on the device selected, there are either seven or nine I/O ports available on PIC18FXX20 devices. Some of their pins are multiplexed with one or more alternate functions from the other peripheral features on the device. In general, when a peripheral is enabled, that pin may not be used as a general purpose I/O pin.

Each port has three registers for its operation. These registers are:

- TRIS register (data direction register)
- PORT register (reads the levels on the pins of the device)
- LAT register (output latch)

The Data Latch (LAT register) is useful for read-modify-write operations on the value that the I/O pins are driving.

A simplified version of a generic I/O port and its operation is shown in Figure 10-1.

**FIGURE 10-1: SIMPLIFIED BLOCK DIAGRAM OF PORT/LAT/TRIS OPERATION**



## 10.1 PORTA, TRISA and LATA Registers

PORTA is a 7-bit wide, bidirectional port. The corresponding data direction register is TRISA. Setting a TRISA bit (= 1) will make the corresponding PORTA pin an input (i.e., put the corresponding output driver in a high-impedance mode). Clearing a TRISA bit (= 0) will make the corresponding PORTA pin an output (i.e., put the contents of the output latch on the selected pin).

Reading the PORTA register reads the status of the pins, whereas writing to it will write to the port latch.

The Data Latch register (LATA) is also memory mapped. Read-modify-write operations on the LATA register, read and write the latched output value for PORTA.

The RA4 pin is multiplexed with the Timer0 module clock input to become the RA4/T0CKI pin. The RA4/T0CKI pin is a Schmitt Trigger input and an open-drain output. All other RA port pins have TTL input levels and full CMOS output drivers.

The RA6 pin is only enabled as a general I/O pin in ECIO and RCIO Oscillator modes.

The other PORTA pins are multiplexed with analog inputs and the analog VREF+ and VREF- inputs. The operation of each pin is selected by clearing/setting the control bits in the ADCON1 register (A/D Control Register 1).

**Note:** On a Power-on Reset, RA5 and RA3:RA0 are configured as analog inputs and read as '0'. RA6 and RA4 are configured as digital inputs.

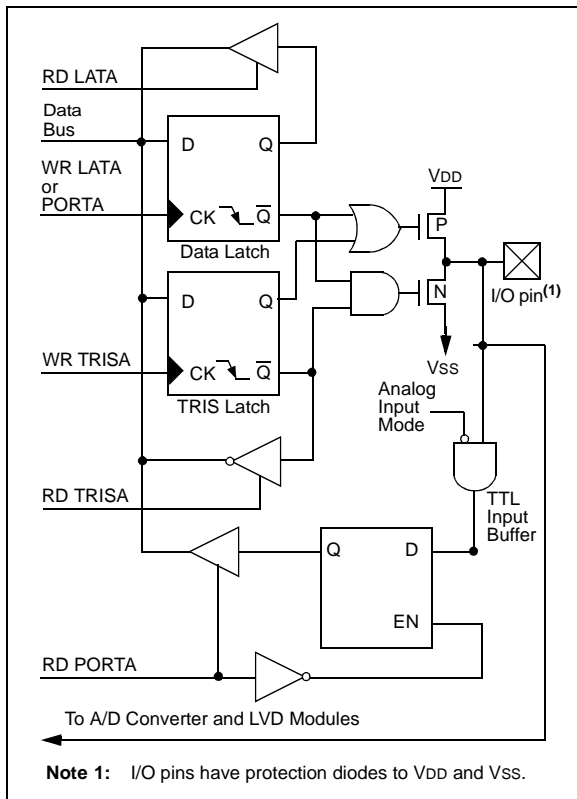
The TRISA register controls the direction of the RA pins, even when they are being used as analog inputs. The user must ensure the bits in the TRISA register are maintained set when using them as analog inputs.

### EXAMPLE 10-1: INITIALIZING PORTA

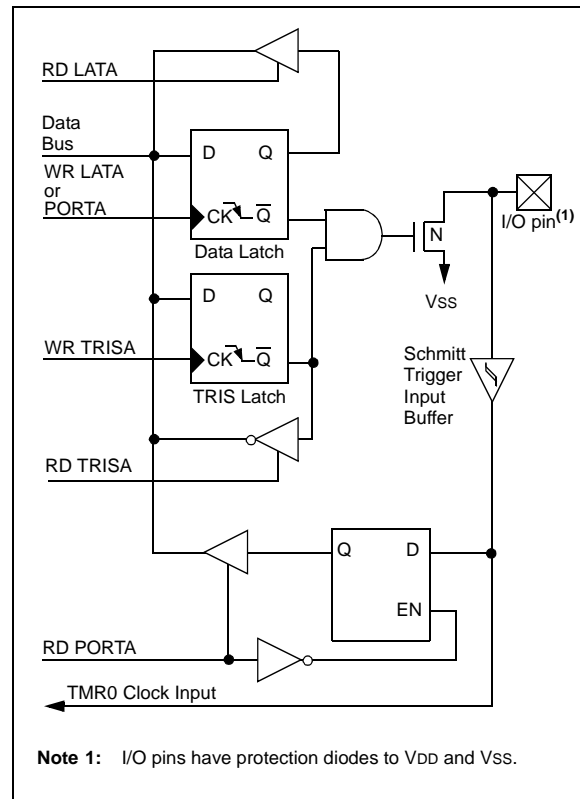
```
CLRF   PORTA   ; Initialize PORTA by
              ; clearing output
              ; data latches
CLRF   LATA    ; Alternate method
              ; to clear output
              ; data latches
MOVLW  0x0F   ; Configure A/D
MOVWF  ADCON1 ; for digital inputs
MOVLW  0xCF   ; Value used to
              ; initialize data
              ; direction
MOVWF  TRISA  ; Set RA<3:0> as inputs
              ; RA<5:4> as outputs
```

# PIC18F6520/8520/6620/8620/6720/8720

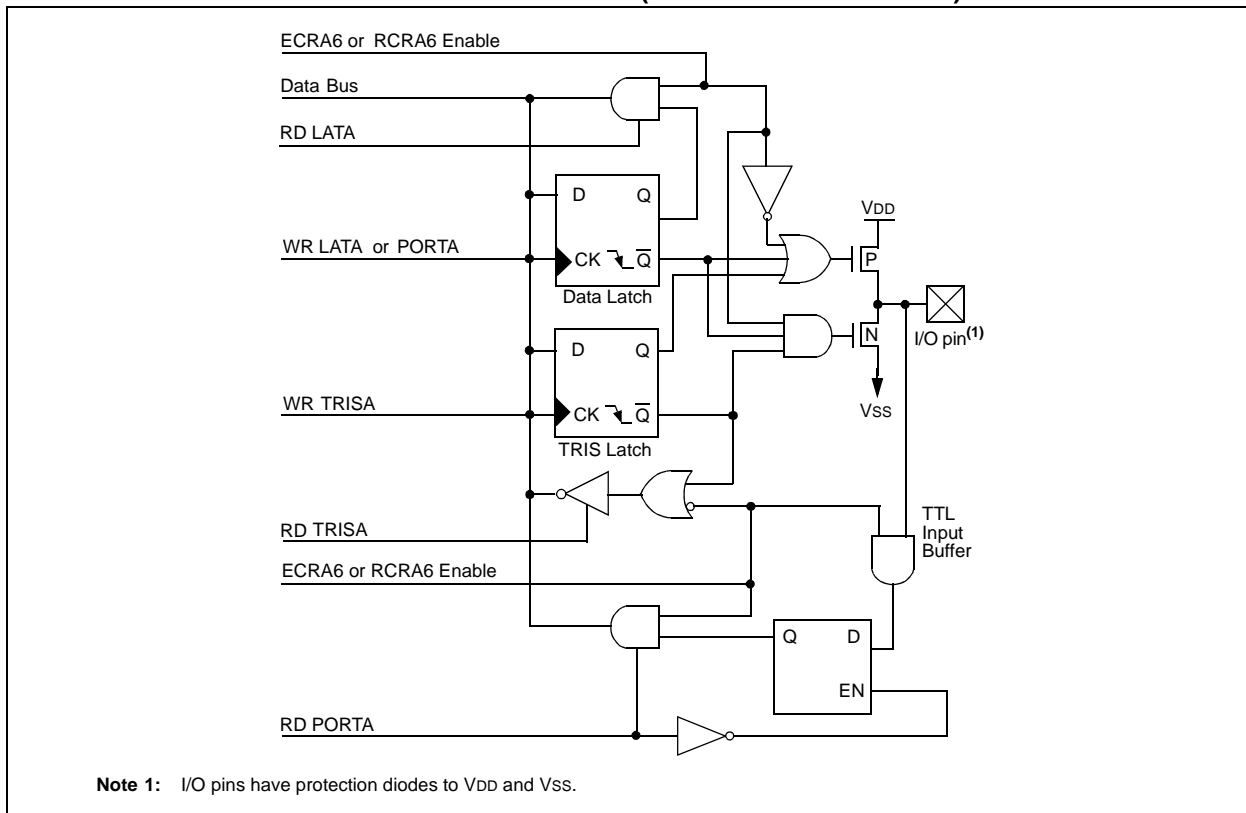
**FIGURE 10-2: BLOCK DIAGRAM OF RA3:RA0 AND RA5 PINS**



**FIGURE 10-3: BLOCK DIAGRAM OF RA4/T0CKI PIN**



**FIGURE 10-4: BLOCK DIAGRAM OF RA6 PIN (WHEN ENABLED AS I/O)**





# PIC18F6520/8520/6620/8620/6720/8720

**TABLE 10-1: PORTA FUNCTIONS**

| Name          | Bit#  | Buffer | Function   |
|---------------|-------|--------|--|
| RA0/AN0       | bit 0 | TTL    | Input/output or analog input.  |
| RA1/AN1       | bit 1 | TTL    | Input/output or analog input.  |
| RA2/AN2/VREF- | bit 2 | TTL    | Input/output or analog input or VREF-.   |
| RA3/AN3/VREF+ | bit 3 | TTL    | Input/output or analog input or VREF+.   |
| RA4/T0CKI     | bit 4 | ST     | Input/output or external clock input for Timer0.<br>Output is open-drain type.                               |
| RA5/AN4/LVDIN | bit 5 | TTL    | Input/output or slave select input for synchronous serial port or analog input, or Low-Voltage Detect input. |
| OSC2/CLKO/RA6 | bit 6 | TTL    | OSC2 or clock output, or I/O pin.  |

**Legend:** TTL = TTL input, ST = Schmitt Trigger input

**TABLE 10-2: SUMMARY OF REGISTERS ASSOCIATED WITH PORTA**

| Name   | Bit 7 | Bit 6                         | Bit 5 | Bit 4 | Bit 3 | Bit 2 | Bit 1 | Bit 0 | Value on POR, BOR | Value on all other Resets |
|--------|-------|-------------------------------|-------|-------|-------|-------|-------|-------|-------------------|---------------------------|
| PORTA  | —     | RA6                           | RA5   | RA4   | RA3   | RA2   | RA1   | RA0   | -x0x 0000         | -u0u 0000                 |
| LATA   | —     | LATA Data Output Register     |       |       |       |       |       |       | -xxx xxxx         | -uuu uuuu                 |
| TRISA  | —     | PORTA Data Direction Register |       |       |       |       |       |       | -111 1111         | -111 1111                 |
| ADCON1 | —     | —                             | VCFG1 | VCFG0 | PCFG3 | PCFG2 | PCFG1 | PCFG0 | --00 0000         | --00 0000                 |

**Legend:** x = unknown, u = unchanged, - = unimplemented locations read as '0'.  
Shaded cells are not used by PORTA.

# PIC18F6520/8520/6620/8620/6720/8720

## 10.2 PORTB, TRISB and LATB Registers

PORTB is an 8-bit wide, bidirectional port. The corresponding data direction register is TRISB. Setting a TRISB bit (= 1) will make the corresponding PORTB pin an input (i.e., put the corresponding output driver in a high-impedance mode). Clearing a TRISB bit (= 0) will make the corresponding PORTB pin an output (i.e., put the contents of the output latch on the selected pin).

The Data Latch register (LATB) is also memory mapped. Read-modify-write operations on the LATB register, read and write the latched output value for PORTB.

### EXAMPLE 10-2: INITIALIZING PORTB

```
CLRF  PORTB  ; Initialize PORTB by
           ; clearing output
           ; data latches
CLRF  LATB   ; Alternate method
           ; to clear output
           ; data latches
MOVLW 0xCF  ; Value used to
           ; initialize data
           ; direction
MOVWF TRISB ; Set RB<3:0> as inputs
           ; RB<5:4> as outputs
           ; RB<7:6> as inputs
```

Each of the PORTB pins has a weak internal pull-up. A single control bit can turn on all the pull-ups. This is performed by clearing bit  $\overline{RBPU}$  (INTCON2<7>). The weak pull-up is automatically turned off when the port pin is configured as an output. The pull-ups are disabled on a Power-on Reset.

**Note:** On a Power-on Reset, these pins are configured as digital inputs.

Four of the PORTB pins (RB3:RB0) are the external interrupt pins, INT3 through INT0. In order to use these pins as external interrupts, the corresponding TRISB bit must be set to '1'.

The other four PORTB pins (RB7:RB4) have an interrupt-on-change feature. Only pins configured as inputs can cause this interrupt to occur (i.e., any RB7:RB4 pin configured as an output is excluded from the interrupt-on-change comparison). The input pins (of RB7:RB4) are compared with the old value latched on the last read of PORTB. The "mismatch" outputs of RB7:RB4 are OR'ed together to generate the RB Port Change Interrupt with Flag bit, RBIF (INTCON<0>).

This interrupt can wake the device from Sleep. The user, in the Interrupt Service Routine, can clear the interrupt in the following manner:

- a) Any read or write of PORTB (except with the MOVFF instruction). This will end the mismatch condition.
- b) Clear flag bit RBIF.

A mismatch condition will continue to set flag bit, RBIF. Reading PORTB will end the mismatch condition and allow flag bit RBIF to be cleared.

The interrupt-on-change feature is recommended for wake-up on key depression operation and operations where PORTB is only used for the interrupt-on-change feature. Polling of PORTB is not recommended while using the interrupt-on-change feature.

RB3 can be configured by the configuration bit CCP2MX, as the alternate peripheral pin for the CCP2 module. This is only available when the device is configured in Microprocessor, Microprocessor with Boot Block, or Extended Microcontroller operating modes.

The RB5 pin is used as the LVP programming pin. When the LVP configuration bit is programmed, this pin loses the I/O function and become a programming test function.

**Note:** When LVP is enabled, the weak pull-up on RB5 is disabled.

FIGURE 10-5: BLOCK DIAGRAM OF RB7:RB4 PINS



# PIC18F6520/8520/6620/8620/6720/8720

**FIGURE 10-6: BLOCK DIAGRAM OF RB2:RB0 PINS**



**FIGURE 10-7: BLOCK DIAGRAM OF RB3 PIN**



# PIC18F6520/8520/6620/8620/6720/8720

**TABLE 10-3: PORTB FUNCTIONS**

| Name                         | Bit#  | Buffer                | Function   |
|------------------------------|-------|-----------------------|--|
| RB0/INT0                     | bit 0 | TTL/ST <sup>(1)</sup> | Input/output pin or external interrupt input 0. Internal software programmable weak pull-up.   |
| RB1/INT1                     | bit 1 | TTL/ST <sup>(1)</sup> | Input/output pin or external interrupt input 1. Internal software programmable weak pull-up.   |
| RB2/INT2                     | bit 2 | TTL/ST <sup>(1)</sup> | Input/output pin or external interrupt input 2. Internal software programmable weak pull-up.   |
| RB3/INT3/CCP2 <sup>(3)</sup> | bit 3 | TTL/ST <sup>(4)</sup> | Input/output pin or external interrupt input 3. Capture2 input/Compare2 output/PWM output (when CCP2MX configuration bit is enabled, all PIC18F8X20 operating modes except Microcontroller mode). Internal software programmable weak pull-up. |
| RB4/KBI0                     | bit 4 | TTL                   | Input/output pin (with interrupt-on-change). Internal software programmable weak pull-up.  |
| RB5/KBI1/PGM                 | bit 5 | TTL/ST <sup>(2)</sup> | Input/output pin (with interrupt-on-change). Internal software programmable weak pull-up. Low-voltage ICSP enable pin.   |
| RB6/KBI2/PGC                 | bit 6 | TTL/ST <sup>(2)</sup> | Input/output pin (with interrupt-on-change). Internal software programmable weak pull-up. Serial programming clock.  |
| RB7/KBI3/PGD                 | bit 7 | TTL/ST <sup>(2)</sup> | Input/output pin (with interrupt-on-change). Internal software programmable weak pull-up. Serial programming data.   |

**Legend:** TTL = TTL input, ST = Schmitt Trigger input

**Note 1:** This buffer is a Schmitt Trigger input when configured as the external interrupt.

**2:** This buffer is a Schmitt Trigger input when used in Serial Programming mode.

**3:** RC1 is the alternate assignment for CCP2 when CCP2MX is not set (all operating modes except Microcontroller mode).

**4:** This buffer is a Schmitt Trigger input when configured as the CCP2 input.

**TABLE 10-4: SUMMARY OF REGISTERS ASSOCIATED WITH PORTB**

| Name    | Bit 7                         | Bit 6         | Bit 5   | Bit 4   | Bit 3   | Bit 2  | Bit 1  | Bit 0  | Value on POR, BOR | Value on all other Resets |
|---------|-------------------------------|---------------|---------|---------|---------|--------|--------|--------|-------------------|---------------------------|
| PORTB   | RB7                           | RB6           | RB5     | RB4     | RB3     | RB2    | RB1    | RB0    | xxxx xxxx         | uuuu uuuu                 |
| LATB    | LATB Data Output Register     |               |         |         |         |        |        |        | xxxx xxxx         | uuuu uuuu                 |
| TRISB   | PORTB Data Direction Register |               |         |         |         |        |        |        | 1111 1111         | 1111 1111                 |
| INTCON  | GIE/<br>GIEH                  | PEIE/<br>GIEL | TMR0IE  | INT0IE  | RBIE    | TMR0IF | INT0IF | RBIF   | 0000 0000         | 0000 0000                 |
| INTCON2 | RBPU                          | INTEDG0       | INTEDG1 | INTEDG2 | INTEDG3 | TMR0IP | INT3IP | RBIP   | 1111 1111         | 1111 1111                 |
| INTCON3 | INT2IP                        | INT1IP        | INT3IE  | INT2IE  | INT1IE  | INT3IF | INT2IF | INT1IF | 1100 0000         | 1100 0000                 |

**Legend:** x = unknown, u = unchanged. Shaded cells are not used by PORTB.

# PIC18F6520/8520/6620/8620/6720/8720

## 10.3 PORTC, TRISC and LATC Registers

PORTC is an 8-bit wide, bidirectional port. The corresponding data direction register is TRISC. Setting a TRISC bit (= 1) will make the corresponding PORTC pin an input (i.e., put the corresponding output driver in a high-impedance mode). Clearing a TRISC bit (= 0) will make the corresponding PORTC pin an output (i.e., put the contents of the output latch on the selected pin).

The Data Latch register (LATC) is also memory mapped. Read-modify-write operations on the LATC register, read and write the latched output value for PORTC.

PORTC is multiplexed with several peripheral functions (Table 10-5). PORTC pins have Schmitt Trigger input buffers.

When enabling peripheral functions, care should be taken in defining TRIS bits for each PORTC pin. Some peripherals override the TRIS bit to make a pin an output, while other peripherals override the TRIS bit to make a pin an input. The user should refer to the corresponding peripheral section for the correct TRIS bit settings.

**Note:** On a Power-on Reset, these pins are configured as digital inputs.

The pin override value is not loaded into the TRIS register. This allows read-modify-write of the TRIS register, without concern due to peripheral overrides.

RC1 is normally configured by configuration bit, CCP2MX, as the default peripheral pin of the CCP2 module (default/erased state, CCP2MX = 1).

### EXAMPLE 10-3: INITIALIZING PORTC

```
CLRF   PORTC   ; Initialize PORTC by
              ; clearing output
              ; data latches
CLRF   LATC    ; Alternate method
              ; to clear output
              ; data latches
MOVLW  0xCF   ; Value used to
              ; initialize data
              ; direction
MOVWF  TRISC   ; Set RC<3:0> as inputs
              ; RC<5:4> as outputs
              ; RC<7:6> as inputs
```

**FIGURE 10-8: PORTC BLOCK DIAGRAM (PERIPHERAL OUTPUT OVERRIDE)**



# PIC18F6520/8520/6620/8620/6720/8720

**TABLE 10-5: PORTC FUNCTIONS**

| Name                          | Bit#  | Buffer Type | Function   |
|-------------------------------|-------|-------------|--|
| RC0/T1OSO/T13CKI              | bit 0 | ST          | Input/output port pin, Timer1 oscillator output or Timer1/Timer3 clock input.  |
| RC1/T1OSI/CCP2 <sup>(1)</sup> | bit 1 | ST          | Input/output port pin, Timer1 oscillator input or Capture2 input/Compare2 output/PWM output (when CCP2MX configuration bit is disabled). |
| RC2/CCP1                      | bit 2 | ST          | Input/output port pin or Capture1 input/Compare1 output/PWM1 output.   |
| RC3/SCK/SCL                   | bit 3 | ST          | RC3 can also be the synchronous serial clock for both SPI and I <sup>2</sup> C modes.  |
| RC4/SDI/SDA                   | bit 4 | ST          | RC4 can also be the SPI data in (SPI mode) or data I/O (I <sup>2</sup> C mode).  |
| RC5/SDO                       | bit 5 | ST          | Input/output port pin or synchronous serial port data output.  |
| RC6/TX1/CK1                   | bit 6 | ST          | Input/output port pin, addressable USART1 asynchronous transmit or addressable USART1 synchronous clock.                                 |
| RC7/RX1/DT1                   | bit 7 | ST          | Input/output port pin, addressable USART1 asynchronous receive or addressable USART1 synchronous data.                                   |

**Legend:** ST = Schmitt Trigger input

**Note 1:** RB3 is the alternate assignment for CCP2 when CCP2MX is set.

**TABLE 10-6: SUMMARY OF REGISTERS ASSOCIATED WITH PORTC**

| Name  | Bit 7                         | Bit 6 | Bit 5 | Bit 4 | Bit 3 | Bit 2 | Bit 1 | Bit 0 | Value on POR, BOR | Value on all other Resets |
|-------|-------------------------------|-------|-------|-------|-------|-------|-------|-------|-------------------|---------------------------|
| PORTC | RC7                           | RC6   | RC5   | RC4   | RC3   | RC2   | RC1   | RC0   | xxxx xxxx         | uuuu uuuu                 |
| LATC  | LATC Data Output Register     |       |       |       |       |       |       |       | xxxx xxxx         | uuuu uuuu                 |
| TRISC | PORTC Data Direction Register |       |       |       |       |       |       |       | 1111 1111         | 1111 1111                 |

**Legend:** x = unknown, u = unchanged

# PIC18F6520/8520/6620/8620/6720/8720

## 10.4 PORTD, TRISD and LATD Registers

PORTD is an 8-bit wide, bidirectional port. The corresponding data direction register is TRISD. Setting a TRISD bit (= 1) will make the corresponding PORTD pin an input (i.e., put the corresponding output driver in a high-impedance mode). Clearing a TRISD bit (= 0) will make the corresponding PORTD pin an output (i.e., put the contents of the output latch on the selected pin).

The Data Latch register (LATD) is also memory mapped. Read-modify-write operations on the LATD register, read and write the latched output value for PORTD.

PORTD is an 8-bit port with Schmitt Trigger input buffers. Each pin is individually configurable as an input or output.

**Note:** On a Power-on Reset, these pins are configured as digital inputs.

PORTD is multiplexed with the system bus as the external memory interface; I/O port functions are only available when the system bus is disabled, by setting the EBDIS bit in the MEMCOM register (MEMCON<7>). When operating as the external memory interface, PORTD is the low-order byte of the multiplexed address/data bus (AD7:AD0).

PORTD can also be configured as an 8-bit wide micro-processor port (Parallel Slave Port) by setting control bit PSPMODE (TRISE<4>). In this mode, the input buffers are TTL. See **Section 10.10 “Parallel Slave Port”** for additional information on the Parallel Slave Port (PSP).

### EXAMPLE 10-4: INITIALIZING PORTD

```
CLRF   PORTD   ; Initialize PORTD by
                ; clearing output
                ; data latches
CLRF   LATD    ; Alternate method
                ; to clear output
                ; data latches
MOVLW  0xCF    ; Value used to
                ; initialize data
                ; direction
MOVWF  TRISD   ; Set RD<3:0> as inputs
                ; RD<5:4> as outputs
                ; RD<7:6> as inputs
```

**FIGURE 10-9: PORTD BLOCK DIAGRAM IN I/O PORT MODE**



# PIC18F6520/8520/6620/8620/6720/8720

FIGURE 10-10: PORTD BLOCK DIAGRAM IN SYSTEM BUS MODE





# PIC18F6520/8520/6620/8620/6720/8720

**TABLE 10-7: PORTD FUNCTIONS**

| Name         | Bit#  | Buffer Type           | Function  |
|--------------|-------|-----------------------|---|
| RD0/PSP0/AD0 | bit 0 | ST/TTL <sup>(1)</sup> | Input/output port pin, Parallel Slave Port bit 0 or address/data bus bit 0. |
| RD1/PSP1/AD1 | bit 1 | ST/TTL <sup>(1)</sup> | Input/output port pin, Parallel Slave Port bit 1 or address/data bus bit 1. |
| RD2/PSP2/AD2 | bit 2 | ST/TTL <sup>(1)</sup> | Input/output port pin, Parallel Slave Port bit 2 or address/data bus bit 2. |
| RD3/PSP3/AD3 | bit 3 | ST/TTL <sup>(1)</sup> | Input/output port pin, Parallel Slave Port bit 3 or address/data bus bit 3. |
| RD4/PSP4/AD4 | bit 4 | ST/TTL <sup>(1)</sup> | Input/output port pin, Parallel Slave Port bit 4 or address/data bus bit 4. |
| RD5/PSP5/AD5 | bit 5 | ST/TTL <sup>(1)</sup> | Input/output port pin, Parallel Slave Port bit 5 or address/data bus bit 5. |
| RD6/PSP6/AD6 | bit 6 | ST/TTL <sup>(1)</sup> | Input/output port pin, Parallel Slave Port bit 6 or address/data bus bit 6. |
| RD7/PSP7/AD7 | bit 7 | ST/TTL <sup>(1)</sup> | Input/output port pin, Parallel Slave Port bit 7 or address/data bus bit 7. |

**Legend:** ST = Schmitt Trigger input, TTL = TTL input

**Note 1:** Input buffers are Schmitt Triggers when in I/O mode and TTL buffers when in System Bus or Parallel Slave Port mode.

**TABLE 10-8: SUMMARY OF REGISTERS ASSOCIATED WITH PORTD**

| Name   | Bit 7                         | Bit 6 | Bit 5 | Bit 4   | Bit 3 | Bit 2 | Bit 1 | Bit 0 | Value on POR, BOR | Value on all other Resets |
|--------|-------------------------------|-------|-------|---------|-------|-------|-------|-------|-------------------|---------------------------|
| PORTD  | RD7                           | RD6   | RD5   | RD4     | RD3   | RD2   | RD1   | RD0   | xxxx xxxx         | uuuu uuuu                 |
| LATD   | LATD Data Output Register     |       |       |         |       |       |       |       | xxxx xxxx         | uuuu uuuu                 |
| TRISD  | PORTD Data Direction Register |       |       |         |       |       |       |       | 1111 1111         | 1111 1111                 |
| PSPCON | IBF                           | OBF   | IBOV  | PSPMODE | —     | —     | —     | —     | 0000 ----         | 0000 ----                 |
| MEMCON | EBDIS                         | —     | WAIT1 | WAIT0   | —     | —     | WM1   | WM0   | 0-00 --00         | 0-00 --00                 |

**Legend:** x = unknown, u = unchanged, — = unimplemented, read as '0'. Shaded cells are not used by PORTD.

# PIC18F6520/8520/6620/8620/6720/8720

## 10.5 PORTE, TRISE and LATE Registers

PORTE is an 8-bit wide, bidirectional port. The corresponding data direction register is TRISE. Setting a TRISE bit (= 1) will make the corresponding PORTE pin an input (i.e., put the corresponding output driver in a high-impedance mode). Clearing a TRISE bit (= 0) will make the corresponding PORTE pin an output (i.e., put the contents of the output latch on the selected pin).

Read-modify-write operations on the LATE register, read and write the latched output value for PORTE.

PORTE is an 8-bit port with Schmitt Trigger input buffers. Each pin is individually configurable as an input or output. PORTE is multiplexed with the CCP module (Table 10-9).

On PIC18F8X20 devices, PORTE is also multiplexed with the system bus as the external memory interface; the I/O bus is available only when the system bus is disabled, by setting the EBDIS bit in the MEMCON register (MEMCON<7>). If the device is configured in Microprocessor or Extended Microcontroller mode, then the PORTE<7:0> becomes the high byte of the address/data bus for the external program memory interface. In Microcontroller mode, the PORTE<2:0> pins become the control inputs for the Parallel Slave Port when bit PSPMODE (PSPCON<4>) is set. (Refer to **Section 4.1.1 “PIC18F8X20 Program Memory Modes”** for more information on program memory modes.)

When the Parallel Slave Port is active, three PORTE pins (RE0/RD/AD8, RE1/WR/AD9 and RE2/CS/AD10) function as its control inputs. This automatically occurs when the PSPMODE bit (PSPCON<4>) is set. Users must also make certain that bits TRISE<2:0> are set to configure the pins as digital inputs and the ADCON1 register is configured for digital I/O. The PORTE PSP control functions are summarized in Table 10-9.

Pin RE7 can be configured as the alternate peripheral pin for CCP module 2 when the device is operating in Microcontroller mode. This is done by clearing the configuration bit, CCP2MX, in configuration register, CONFIG3H (CONFIG3H<0>).

**Note:** For PIC18F8X20 (80-pin) devices operating in Extended Microcontroller mode, PORTE defaults to the system bus on Power-on Reset.

### EXAMPLE 10-5: INITIALIZING PORTE

```
CLRF   PORTE   ; Initialize PORTE by
             ; clearing output
             ; data latches
CLRF   LATE    ; Alternate method
             ; to clear output
             ; data latches
MOVLW  0x03   ; Value used to
             ; initialize data
             ; direction
MOVWF  TRISE   ; Set RE1:RE0 as inputs
             ; RE7:RE2 as outputs
```

# PIC18F6520/8520/6620/8620/6720/8720

**FIGURE 10-11: PORTE BLOCK DIAGRAM IN I/O MODE**



**FIGURE 10-12: PORTE BLOCK DIAGRAM IN SYSTEM BUS MODE**



# PIC18F6520/8520/6620/8620/6720/8720

**TABLE 10-9: PORTE FUNCTIONS**

| Name                              | Bit#  | Buffer Type           | Function   |
|-----------------------------------|-------|-----------------------|--|
| RE0/ $\overline{\text{RD}}$ /AD8  | bit 0 | ST/TTL <sup>(1)</sup> | Input/output port pin, read control for Parallel Slave Port or address/data bit 8<br>For $\overline{\text{RD}}$ (PSP Control mode):<br>1 = Not a read operation<br>0 = Read operation, reads PORTD register (if chip selected)     |
| RE1/ $\overline{\text{WR}}$ /AD9  | bit 1 | ST/TTL <sup>(1)</sup> | Input/output port pin, write control for Parallel Slave Port or address/data bit 9<br>For $\overline{\text{WR}}$ (PSP Control mode):<br>1 = Not a write operation<br>0 = Write operation, writes PORTD register (if chip selected) |
| RE2/ $\overline{\text{CS}}$ /AD10 | bit 2 | ST/TTL <sup>(1)</sup> | Input/output port pin, chip select control for Parallel Slave Port or address/data bit 10<br>For $\overline{\text{CS}}$ (PSP Control mode):<br>1 = Device is not selected<br>0 = Device is selected                                |
| RE3/AD11                          | bit 3 | ST/TTL <sup>(1)</sup> | Input/output port pin or address/data bit 11.  |
| RE4/AD12                          | bit 4 | ST/TTL <sup>(1)</sup> | Input/output port pin or address/data bit 12.  |
| RE5/AD13                          | bit 5 | ST/TTL <sup>(1)</sup> | Input/output port pin or address/data bit 13.  |
| RE6/AD14                          | bit 6 | ST/TTL <sup>(1)</sup> | Input/output port pin or address/data bit 14.  |
| RE7/CCP2/AD15                     | bit 7 | ST/TTL <sup>(1)</sup> | Input/output port pin, Capture2 input/Compare2 output/PWM output (PIC18F8X20 devices in Microcontroller mode only) or address/data bit 15.   |

**Legend:** ST = Schmitt Trigger input, TTL = TTL input

**Note 1:** Input buffers are Schmitt Triggers when in I/O or CCP mode and TTL buffers when in System Bus or PSP Control mode.

**TABLE 10-10: SUMMARY OF REGISTERS ASSOCIATED WITH PORTE**

| Name   | Bit 7  | Bit 6 | Bit 5 | Bit 4   | Bit 3 | Bit 2 | Bit 1 | Bit 0 | Value on POR, BOR | Value on all other Resets |
|--------|--|-------|-------|---------|-------|-------|-------|-------|-------------------|---------------------------|
| TRISE  | PORTE Data Direction Control Register        |       |       |         |       |       |       |       | 1111 1111         | 1111 1111                 |
| PORTE  | Read PORTE pin/Write PORTE Data Latch        |       |       |         |       |       |       |       | xxxx xxxx         | uuuu uuuu                 |
| LATE   | Read PORTE Data Latch/Write PORTE Data Latch |       |       |         |       |       |       |       | xxxx xxxx         | uuuu uuuu                 |
| MEMCON | EBDIS  | —     | WAIT1 | WAIT0   | —     | —     | WM1   | WM0   | 0-00 --00         | 0000 --00                 |
| PSPCON | IBF  | OBF   | IBOV  | PSPMODE | —     | —     | —     | —     | 0000 ----         | 0000 ----                 |

**Legend:** x = unknown, u = unchanged. Shaded cells are not used by PORTE.

# PIC18F6520/8520/6620/8620/6720/8720

## 10.6 PORTF, LATF and TRISF Registers

PORTF is an 8-bit wide, bidirectional port. The corresponding data direction register is TRISF. Setting a TRISF bit (= 1) will make the corresponding PORTF pin an input (i.e., put the corresponding output driver in a high-impedance mode). Clearing a TRISF bit (= 0) will make the corresponding PORTF pin an output (i.e., put the contents of the output latch on the selected pin).

Read-modify-write operations on the LATF register, read and write the latched output value for PORTF.

PORTF is multiplexed with several analog peripheral functions, including the A/D converter inputs and comparator inputs, outputs and voltage reference.

**Note 1:** On a Power-on Reset, the RF6:RF0 pins are configured as inputs and read as '0'.

**2:** To configure PORTF as digital I/O, turn off comparators and set ADCON1 value.

### EXAMPLE 10-6: INITIALIZING PORTF

```

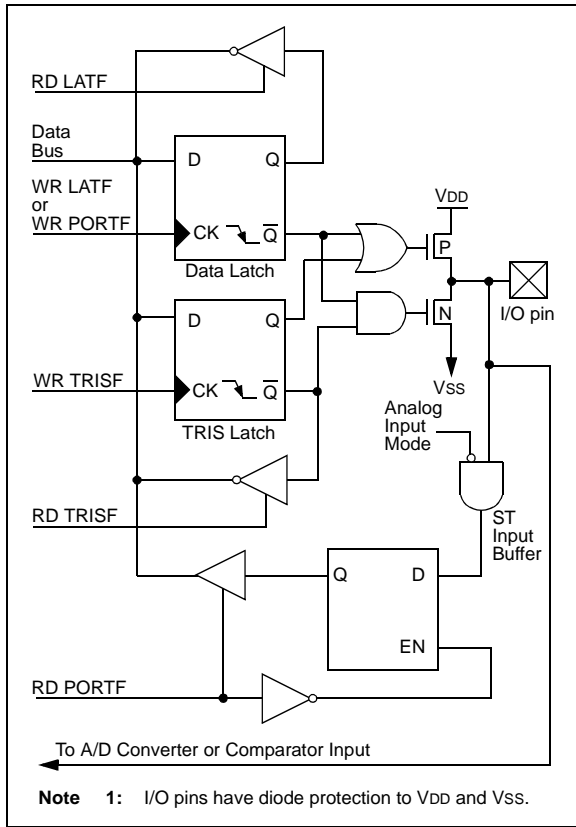
CLRWF  PORTF  ; Initialize PORTF by
              ; clearing output
              ; data latches
CLRWF  LATF   ; Alternate method
              ; to clear output
              ; data latches
MOVLW  0x07   ;
MOVWF  CMCON  ; Turn off comparators
MOVLW  0x0F   ;
MOVWF  ADCON1 ; Set PORTF as digital I/O
MOVLW  0xCF   ; Value used to
              ; initialize data
              ; direction
MOVWF  TRISF  ; Set RF3:RF0 as inputs
              ; RF5:RF4 as outputs
              ; RF7:RF6 as inputs
    
```

**FIGURE 10-13: PORTF RF1/AN6/C2OUT, RF2/AN7/C1OUT PINS BLOCK DIAGRAM**

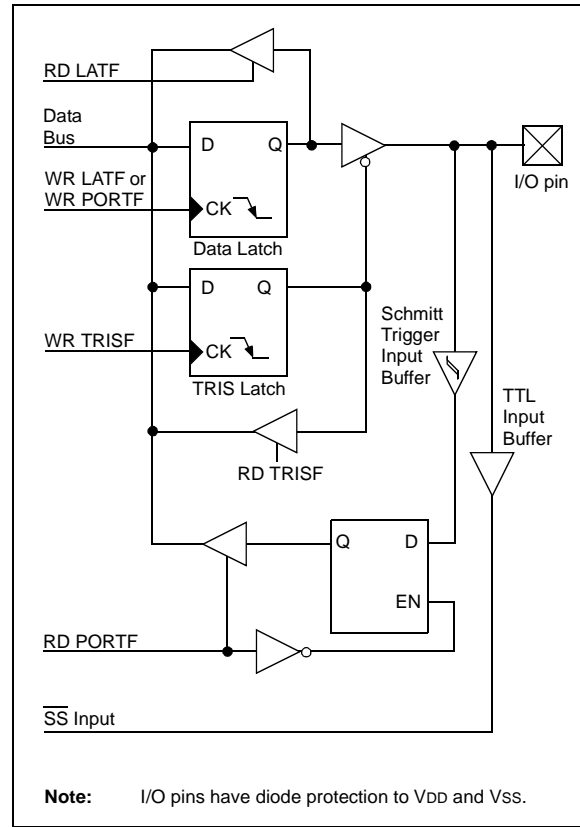


# PIC18F6520/8520/6620/8620/6720/8720

**FIGURE 10-14: RF6:RF3 AND RF0 PINS BLOCK DIAGRAM**



**FIGURE 10-15: RF7 PIN BLOCK DIAGRAM**



# PIC18F6520/8520/6620/8620/6720/8720

**TABLE 10-11: PORTF FUNCTIONS**

| Name                 | Bit#  | Buffer Type | Function   |
|----------------------|-------|-------------|--|
| RF0/AN5              | bit 0 | ST          | Input/output port pin or analog input.   |
| RF1/AN6/C2OUT        | bit 1 | ST          | Input/output port pin, analog input or comparator 2 output.                          |
| RF2/AN7/C1OUT        | bit 2 | ST          | Input/output port pin, analog input or comparator 1 output.                          |
| RF3/AN8              | bit 3 | ST          | Input/output port pin or analog input/comparator input.                              |
| RF4/AN9              | bit 4 | ST          | Input/output port pin or analog input/comparator input.                              |
| RF5/AN10/CVREF       | bit 5 | ST          | Input/output port pin, analog input/comparator input or comparator reference output. |
| RF6/AN11             | bit 6 | ST          | Input/output port pin or analog input/comparator input.                              |
| RF7/ $\overline{SS}$ | bit 7 | ST/TTL      | Input/output port pin or slave select pin for synchronous serial port.               |

**Legend:** ST = Schmitt Trigger input, TTL = TTL input

**TABLE 10-12: SUMMARY OF REGISTERS ASSOCIATED WITH PORTF**

| Name   | Bit 7  | Bit 6 | Bit 5 | Bit 4 | Bit 3 | Bit 2 | Bit 1 | Bit 0 | Value on POR, BOR | Value on all other Resets |
|--------|--|-------|-------|-------|-------|-------|-------|-------|-------------------|---------------------------|
| TRISF  | PORTF Data Direction Control Register        |       |       |       |       |       |       |       | 1111 1111         | 1111 1111                 |
| PORTF  | Read PORTF pin/Write PORTF Data Latch        |       |       |       |       |       |       |       | xxxx xxxx         | uuuu uuuu                 |
| LATF   | Read PORTF Data Latch/Write PORTF Data Latch |       |       |       |       |       |       |       | 0000 0000         | uuuu uuuu                 |
| ADCON1 | —  | —     | VCFG1 | VCFG0 | PCFG3 | PCFG2 | PCFG1 | PCFG0 | --00 0000         | --00 0000                 |
| CMCON  | C2OUT  | C1OUT | C2INV | C1INV | CIS   | CM2   | CM1   | CM0   | 0000 0000         | 0000 0000                 |
| CVRCON | CVREN  | CVROE | CVRR  | CVRSS | CVR3  | CVR2  | CVR1  | CVR0  | 0000 0000         | 0000 0000                 |

**Legend:** x = unknown, u = unchanged. Shaded cells are not used by PORTF.

# PIC18F6520/8520/6620/8620/6720/8720

## 10.7 PORTG, TRISG and LATG Registers

PORTG is a 5-bit wide, bidirectional port. The corresponding data direction register is TRISG. Setting a TRISG bit (= 1) will make the corresponding PORTG pin an input (i.e., put the corresponding output driver in a high-impedance mode). Clearing a TRISG bit (= 0) will make the corresponding PORTG pin an output (i.e., put the contents of the output latch on the selected pin).

The Data Latch register (LATG) is also memory mapped. Read-modify-write operations on the LATG register, read and write the latched output value for PORTG.

PORTG is multiplexed with both CCP and USART functions (Table 10-13). PORTG pins have Schmitt Trigger input buffers.

When enabling peripheral functions, care should be taken in defining TRIS bits for each PORTG pin. Some peripherals override the TRIS bit to make a pin an output, while other peripherals override the TRIS bit to

make a pin an input. The user should refer to the corresponding peripheral section for the correct TRIS bit settings.

**Note:** On a Power-on Reset, these pins are configured as digital inputs.

The pin override value is not loaded into the TRIS register. This allows read-modify-write of the TRIS register, without concern due to peripheral overrides.

### EXAMPLE 10-7: INITIALIZING PORTG

```

CLRF   PORTG   ; Initialize PORTG by
              ; clearing output
              ; data latches
CLRF   LATG    ; Alternate method
              ; to clear output
              ; data latches
MOVLW  0x04    ; Value used to
              ; initialize data
              ; direction
MOVWF  TRISG   ; Set RG1:RG0 as outputs
              ; RG2 as input
              ; RG4:RG3 as inputs
    
```

**FIGURE 10-16: PORTG BLOCK DIAGRAM (PERIPHERAL OUTPUT OVERRIDE)**





# PIC18F6520/8520/6620/8620/6720/8720

**TABLE 10-13: PORTG FUNCTIONS**

| Name        | Bit#  | Buffer Type | Function   |
|-------------|-------|-------------|--|
| RG0/CCP3    | bit 0 | ST          | Input/output port pin or Capture3 input/Compare3 output/PWM3 output.                                     |
| RG1/TX2/CK2 | bit 1 | ST          | Input/output port pin, addressable USART2 asynchronous transmit or addressable USART2 synchronous clock. |
| RG2/RX2/DT2 | bit 2 | ST          | Input/output port pin, addressable USART2 asynchronous receive or addressable USART2 synchronous data.   |
| RG3/CCP4    | bit 3 | ST          | Input/output port pin or Capture4 input/Compare4 output/PWM4 output.                                     |
| RG4/CCP5    | bit 4 | ST          | Input/output port pin or Capture5 input/Compare5 output/PWM5 output.                                     |

**Legend:** ST = Schmitt Trigger input

**TABLE 10-14: SUMMARY OF REGISTERS ASSOCIATED WITH PORTG**

| Name  | Bit 7 | Bit 6 | Bit 5 | Bit 4                                     | Bit 3 | Bit 2 | Bit 1 | Bit 0 | Value on POR, BOR | Value on all other Resets |
|-------|-------|-------|-------|---|-------|-------|-------|-------|-------------------|---------------------------|
| PORTG | —     | —     | —     | Read PORTF pin/Write PORTF Data Latch     |       |       |       | ---   | x xxxx            | ---u uuuu                 |
| LATG  | —     | —     | —     | LATG Data Output Register                 |       |       |       | ---   | x xxxx            | ---u uuuu                 |
| TRISG | —     | —     | —     | Data Direction Control Register for PORTG |       |       |       | ---   | 1 1111            | ---1 1111                 |

**Legend:** x = unknown, u = unchanged

# PIC18F6520/8520/6620/8620/6720/8720

## 10.8 PORTH, LATH and TRISH Registers

**Note:** PORTH is available only on PIC18F8X20 devices.

PORTH is an 8-bit wide, bidirectional I/O port. The corresponding data direction register is TRISH. Setting a TRISH bit (= 1) will make the corresponding PORTH pin an input (i.e., put the corresponding output driver in a high-impedance mode). Clearing a TRISH bit (= 0) will make the corresponding PORTH pin an output (i.e., put the contents of the output latch on the selected pin).

Read-modify-write operations on the LATH register, read and write the latched output value for PORTH.

Pins RH7:RH4 are multiplexed with analog inputs AN15:AN12. Pins RH3:RH0 are multiplexed with the system bus as the external memory interface; they are the high-order address bits, A19:A16. By default, pins RH7:RH4 are enabled as A/D inputs and pins RH3:RH0 are enabled as the system address bus. Register ADCON1 configures RH7:RH4 as I/O or A/D inputs. Register MEMCON configures RH3:RH0 as I/O or system bus pins.

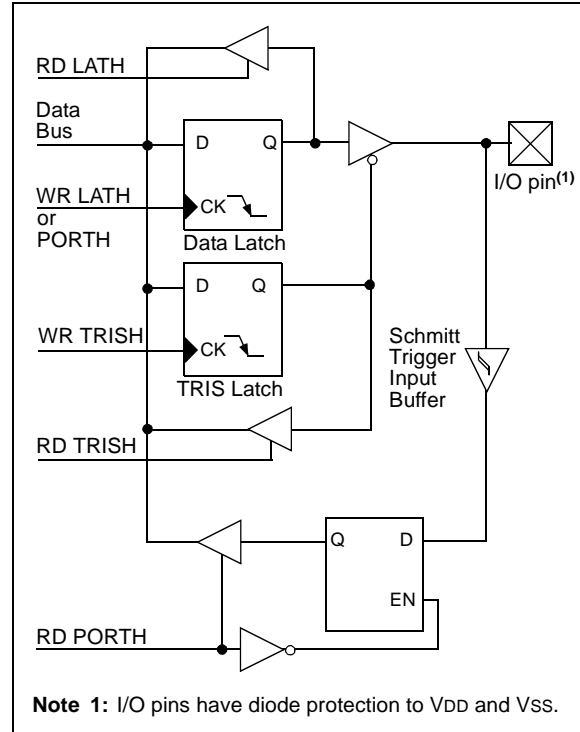
- Note 1:** On Power-on Reset, PORTH pins RH7:RH4 default to A/D inputs and read as '0'.
- 2:** On Power-on Reset, PORTH pins RH3:RH0 default to system bus signals.

### EXAMPLE 10-8: INITIALIZING PORTH

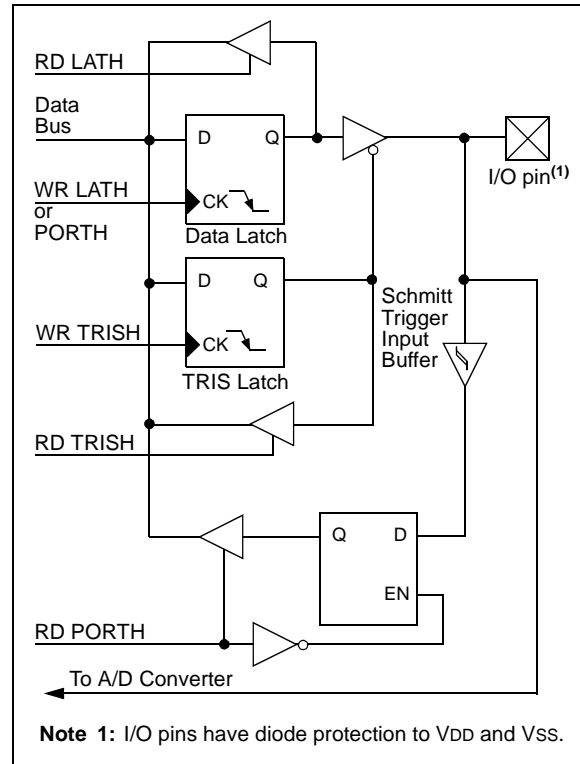
```

CLRF   PORTH   ; Initialize PORTH by
               ; clearing output
               ; data latches
CLRF   LATH    ; Alternate method
               ; to clear output
               ; data latches
MOVLW  0Fh    ;
MOVWF  ADCON1 ;
MOVLW  0CFh   ; Value used to
               ; initialize data
               ; direction
MOVWF  TRISH   ; Set RH3:RH0 as inputs
               ; RH5:RH4 as outputs
               ; RH7:RH6 as inputs
    
```

**FIGURE 10-17: RH3:RH0 PINS BLOCK DIAGRAM IN I/O MODE**



**FIGURE 10-18: RH7:RH4 PINS BLOCK DIAGRAM IN I/O MODE**



# PIC18F6520/8520/6620/8620/6720/8720

FIGURE 10-19: RH3:RH0 PINS BLOCK DIAGRAM IN SYSTEM BUS MODE



# PIC18F6520/8520/6620/8620/6720/8720

**TABLE 10-15: PORTH FUNCTIONS**

| Name     | Bit#  | Buffer Type           | Function   |
|----------|-------|-----------------------|--|
| RH0/A16  | bit 0 | ST/TTL <sup>(1)</sup> | Input/output port pin or address bit 16 for external memory interface. |
| RH1/A17  | bit 1 | ST/TTL <sup>(1)</sup> | Input/output port pin or address bit 17 for external memory interface. |
| RH2/A18  | bit 2 | ST/TTL <sup>(1)</sup> | Input/output port pin or address bit 18 for external memory interface. |
| RH3/A19  | bit 3 | ST/TTL <sup>(1)</sup> | Input/output port pin or address bit 19 for external memory interface. |
| RH4/AN12 | bit 4 | ST                    | Input/output port pin or analog input channel 12.                      |
| RH5/AN13 | bit 5 | ST                    | Input/output port pin or analog input channel 13.                      |
| RH6/AN14 | bit 6 | ST                    | Input/output port pin or analog input channel 14.                      |
| RH7/AN15 | bit 7 | ST                    | Input/output port pin or analog input channel 15.                      |

**Legend:** ST = Schmitt Trigger input, TTL = TTL input

**Note 1:** Input buffers are Schmitt Triggers when in I/O mode and TTL buffers when in System Bus or Parallel Slave Port mode.

**TABLE 10-16: SUMMARY OF REGISTERS ASSOCIATED WITH PORTH**

| Name   | Bit 7  | Bit 6 | Bit 5 | Bit 4 | Bit 3 | Bit 2 | Bit 1 | Bit 0 | Value on POR, BOR | Value on all other Resets |
|--------|--|-------|-------|-------|-------|-------|-------|-------|-------------------|---------------------------|
| TRISH  | PORTH Data Direction Control Register        |       |       |       |       |       |       |       | 1111 1111         | 1111 1111                 |
| PORTH  | Read PORTH pin/Write PORTH Data Latch        |       |       |       |       |       |       |       | xxxx xxxx         | uuuu uuuu                 |
| LATH   | Read PORTH Data Latch/Write PORTH Data Latch |       |       |       |       |       |       |       | xxxx xxxx         | uuuu uuuu                 |
| ADCON1 | —  | —     | VCFG1 | VCFG0 | PCFG3 | PCFG2 | PCFG1 | PCFG0 | --00 0000         | --00 0000                 |
| MEMCON | EBDIS  | —     | WAIT1 | WAIT0 | —     | —     | WM1   | WM0   | 0-00 --00         | 0-00 --00                 |

**Legend:** x = unknown, u = unchanged, — = unimplemented. Shaded cells are not used by PORTH.

# PIC18F6520/8520/6620/8620/6720/8720

## 10.9 PORTJ, TRISJ and LATJ Registers

**Note:** PORTJ is available only on PIC18F8X20 devices.

PORTJ is an 8-bit wide, bidirectional port. The corresponding data direction register is TRISJ. Setting a TRISJ bit (= 1) will make the corresponding PORTJ pin an input (i.e., put the corresponding output driver in a high-impedance mode). Clearing a TRISJ bit (= 0) will make the corresponding PORTJ pin an output (i.e., put the contents of the output latch on the selected pin).

The Data Latch register (LATJ) is also memory mapped. Read-modify-write operations on the LATJ register, read and write the latched output value for PORTJ.

PORTJ is multiplexed with the system bus as the external memory interface; I/O port functions are only available when the system bus is disabled. When operating as the external memory interface, PORTJ provides the control signal to external memory devices. The RJ5 pin is not multiplexed with any system bus functions.

When enabling peripheral functions, care should be taken in defining TRIS bits for each PORTJ pin. Some peripherals override the TRIS bit to make a pin an output, while other peripherals override the TRIS bit to make a pin an input. The user should refer to the corresponding peripheral section for the correct TRIS bit settings.

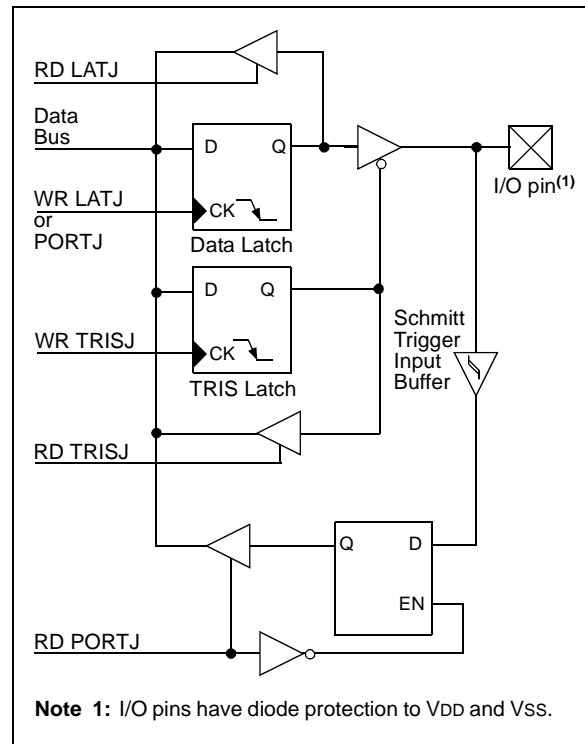
**Note:** On a Power-on Reset, these pins are configured as digital inputs.

The pin override value is not loaded into the TRIS register. This allows read-modify-write of the TRIS register, without concern due to peripheral overrides.

### EXAMPLE 10-9: INITIALIZING PORTJ

```
CLRF   PORTJ   ; Initialize PORTG by
               ; clearing output
               ; data latches
CLRF   LATJ    ; Alternate method
               ; to clear output
               ; data latches
MOVLW  0xCF   ; Value used to
               ; initialize data
               ; direction
MOVWF  TRISJ  ; Set RJ3:RJ0 as inputs
               ; RJ5:RJ4 as output
               ; RJ7:RJ6 as inputs
```

FIGURE 10-20: PORTJ BLOCK DIAGRAM IN I/O MODE

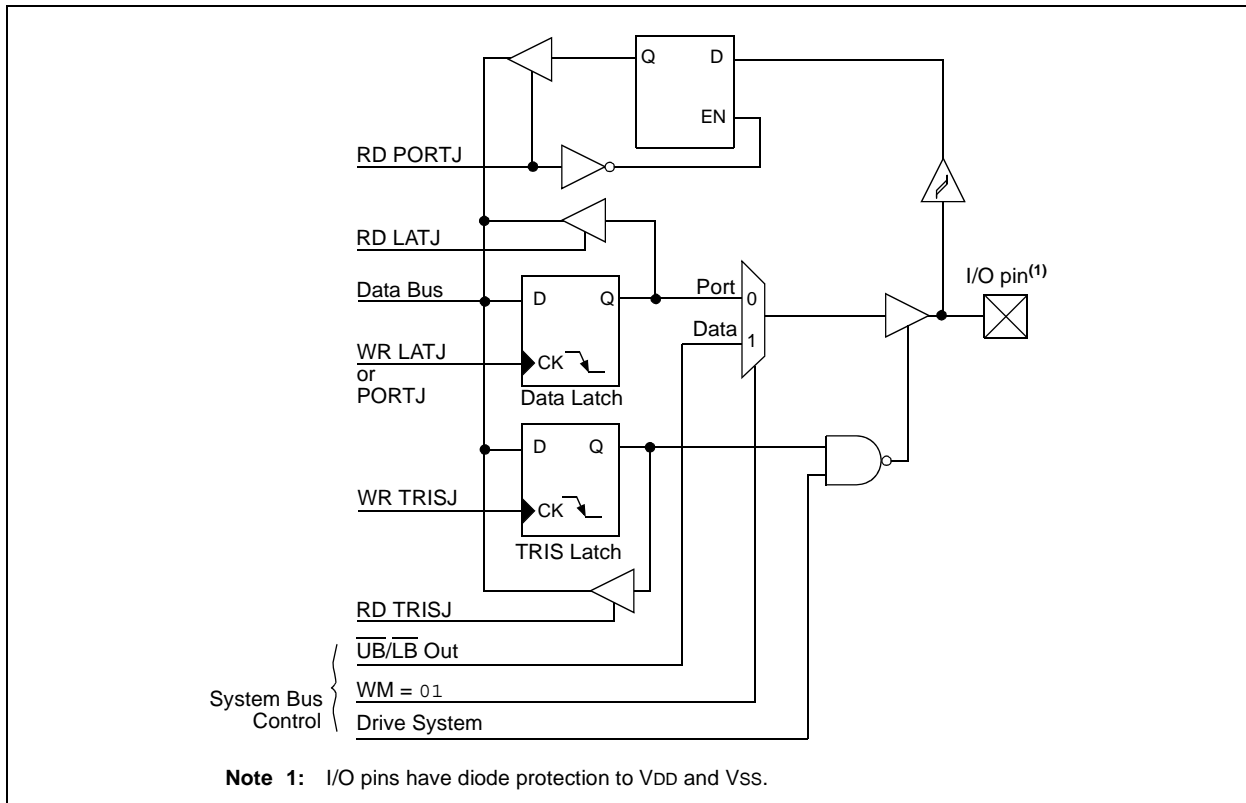


# PIC18F6520/8520/6620/8620/6720/8720

**FIGURE 10-21: RJ4:RJ0 PINS BLOCK DIAGRAM IN SYSTEM BUS MODE**



**FIGURE 10-22: RJ7:RJ6 PINS BLOCK DIAGRAM IN SYSTEM BUS MODE**



# PIC18F6520/8520/6620/8620/6720/8720

**TABLE 10-17: PORTJ FUNCTIONS**

| Name                  | Bit#  | Buffer Type | Function   |
|-----------------------|-------|-------------|--|
| RJ0/ALE               | bit 0 | ST          | Input/output port pin or address latch enable control for external memory interface. |
| RJ1/ $\overline{OE}$  | bit 1 | ST          | Input/output port pin or output enable control for external memory interface.        |
| RJ2/ $\overline{WRL}$ | bit 2 | ST          | Input/output port pin or write low byte control for external memory interface.       |
| RJ3/ $\overline{WRH}$ | bit 3 | ST          | Input/output port pin or write high byte control for external memory interface.      |
| RJ4/BA0               | bit 4 | ST          | Input/output port pin or byte address 0 control for external memory interface.       |
| RJ5/ $\overline{CE}$  | bit 5 | ST          | Input/output port pin or chip enable control for external memory interface.          |
| RJ6/ $\overline{LB}$  | bit 6 | ST          | Input/output port pin or lower byte select control for external memory interface.    |
| RJ7/ $\overline{UB}$  | bit 7 | ST          | Input/output port pin or upper byte select control for external memory interface.    |

**Legend:** ST = Schmitt Trigger input

**TABLE 10-18: SUMMARY OF REGISTERS ASSOCIATED WITH PORTJ**

| Name  | Bit 7                                     | Bit 6 | Bit 5 | Bit 4 | Bit 3 | Bit 2 | Bit 1 | Bit 0 | Value on POR, BOR | Value on all other Resets |
|-------|---|-------|-------|-------|-------|-------|-------|-------|-------------------|---------------------------|
| PORTJ | Read PORTJ pin/Write PORTJ Data Latch     |       |       |       |       |       |       |       | xxxx xxxx         | uuuu uuuu                 |
| LATJ  | LATJ Data Output Register                 |       |       |       |       |       |       |       | xxxx xxxx         | uuuu uuuu                 |
| TRISJ | Data Direction Control Register for PORTJ |       |       |       |       |       |       |       | 1111 1111         | 1111 1111                 |

**Legend:** x = unknown, u = unchanged

# PIC18F6520/8520/6620/8620/6720/8720

## 10.10 Parallel Slave Port

PORTD also operates as an 8-bit wide Parallel Slave Port, or microprocessor port, when control bit PSPMODE (PSPCON<4>) is set. It is asynchronously readable and writable by the external world through the  $\overline{RD}$  control input pin, RE0/ $\overline{RD}$ /AD8 and the  $\overline{WR}$  control input pin, RE1/ $\overline{WR}$ /AD9.

**Note:** For PIC18F8X20 devices, the Parallel Slave Port is available only in Microcontroller mode.

The PSP can directly interface to an 8-bit microprocessor data bus. The external microprocessor can read or write the PORTD latch as an 8-bit latch. Setting bit PSPMODE enables port pin RE0/ $\overline{RD}$ /AD8 to be the  $\overline{RD}$  input, RE1/ $\overline{WR}$ /AD9 to be the  $\overline{WR}$  input and RE2/ $\overline{CS}$ /AD10 to be the  $\overline{CS}$  (Chip Select) input. For this functionality, the corresponding data direction bits of the TRISE register (TRISE<2:0>) must be configured as inputs (set). The A/D port configuration bits, PCFG2:PCFG0 (ADCON1<2:0>), must be set which will configure pins RE2:RE0 as digital I/O.

A write to the PSP occurs when both the  $\overline{CS}$  and  $\overline{WR}$  lines are first detected low. A read from the PSP occurs when both the  $\overline{CS}$  and  $\overline{RD}$  lines are first detected low.

The PORTE I/O pins become control inputs for the microprocessor port when bit PSPMODE (PSPCON<4>) is set. In this mode, the user must make sure that the TRISE<2:0> bits are set (pins are configured as digital inputs) and the ADCON1 is configured for digital I/O. In this mode, the input buffers are TTL.

**FIGURE 10-23: PORTD AND PORTE BLOCK DIAGRAM (PARALLEL SLAVE PORT)**





# PIC18F6520/8520/6620/8620/6720/8720

**REGISTER 10-1: PSPCON REGISTER**

|       |     |       |         |       |     |     |     |
|-------|-----|-------|---------|-------|-----|-----|-----|
| R-0   | R-0 | R/W-0 | R/W-0   | U-0   | U-0 | U-0 | U-0 |
| IBF   | OBF | IBOV  | PSPMODE | —     | —   | —   | —   |
| bit 7 |     |       |         | bit 0 |     |     |     |

- bit 7     **IBF:** Input Buffer Full Status bit  
 1 = A word has been received and is waiting to be read by the CPU  
 0 = No word has been received
- bit 6     **OBF:** Output Buffer Full Status bit  
 1 = The output buffer still holds a previously written word  
 0 = The output buffer has been read
- bit 5     **IBOV:** Input Buffer Overflow Detect bit  
 1 = A write occurred when a previously input word has not been read  
       (must be cleared in software)  
 0 = No overflow occurred
- bit 4     **PSPMODE:** Parallel Slave Port Mode Select bit  
 1 = Parallel Slave Port mode  
 0 = General Purpose I/O mode
- bit 3-0   **Unimplemented:** Read as '0'

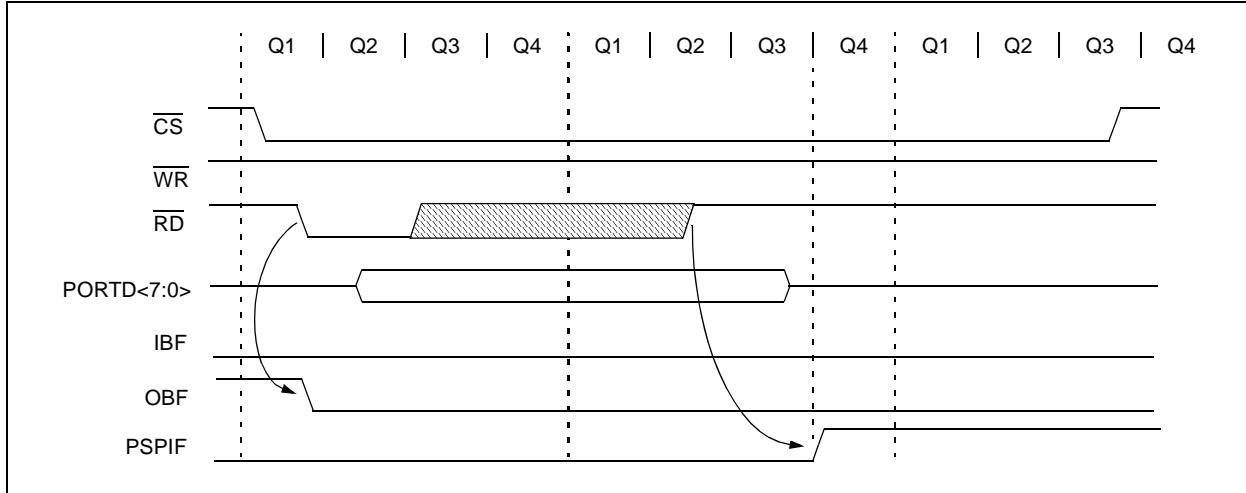
|                    |                  |                                    |                    |
|--------------------|------------------|------------------------------------|--------------------|
| <b>Legend:</b>     |                  |                                    |                    |
| R = Readable bit   | W = Writable bit | U = Unimplemented bit, read as '0' |                    |
| - n = Value at POR | '1' = Bit is set | '0' = Bit is cleared               | x = Bit is unknown |

**FIGURE 10-24: PARALLEL SLAVE PORT WRITE WAVEFORMS**



# PIC18F6520/8520/6620/8620/6720/8720

**FIGURE 10-25: PARALLEL SLAVE PORT READ WAVEFORMS**



**TABLE 10-19: REGISTERS ASSOCIATED WITH PARALLEL SLAVE PORT**

| Name   | Bit 7   | Bit 6         | Bit 5  | Bit 4   | Bit 3 | Bit 2                                     | Bit 1  | Bit 0  | Value on POR, BOR | Value on all other Resets |
|--------|---|---------------|--------|---------|-------|---|--------|--------|-------------------|---------------------------|
| PORTD  | Port Data Latch when written; Port pins when read |               |        |         |       |   |        |        | xxxx xxxx         | uuuu uuuu                 |
| LATD   | LATD Data Output bits                             |               |        |         |       |   |        |        | xxxx xxxx         | uuuu uuuu                 |
| TRISD  | PORTD Data Direction bits                         |               |        |         |       |   |        |        | 1111 1111         | 1111 1111                 |
| PORTE  | —   | —             | —      | —       | —     | Read PORTE pin/<br>Write PORTE Data Latch |        |        | 0000 0000         | 0000 0000                 |
| LATE   | —   | —             | —      | —       | —     | LATE Data Output bits                     |        |        | xxxx xxxx         | uuuu uuuu                 |
| TRISE  | —   | —             | —      | —       | —     | PORTE Data Direction bits                 |        |        | 1111 1111         | 1111 1111                 |
| PSPCON | IBF   | OBF           | IBOV   | PSPMODE | —     | —   | —      | —      | 0000 ----         | 0000 ----                 |
| INTCON | GIE/<br>GIEH                                      | PEIE/<br>GIEL | TMR0IF | INT0IE  | RBIE  | TMR0IF                                    | INT0IF | RBIF   | 0000 0000         | 0000 0000                 |
| PIR1   | PSPIF <sup>(1)</sup>                              | ADIF          | RCIF   | TXIF    | SSPIF | CCP1IF                                    | TMR2IF | TMR1IF | 0000 0000         | 0000 0000                 |
| PIE1   | PSPIE <sup>(1)</sup>                              | ADIE          | RCIE   | TXIE    | SSPIE | CCP1IE                                    | TMR2IE | TMR1IE | 0000 0000         | 0000 0000                 |
| IPR1   | PSPIP <sup>(1)</sup>                              | ADIP          | RCIP   | TXIP    | SSPIP | CCP1IP                                    | TMR2IP | TMR1IP | 0111 1111         | 0111 1111                 |

**Legend:** x = unknown, u = unchanged, — = unimplemented, read as '0'. Shaded cells are not used by the Parallel Slave Port.

**Note 1:** Enabled only in Microcontroller mode for PIC18F8X20 devices.

# PIC18F6520/8520/6620/8620/6720/8720

## 11.0 TIMER0 MODULE

The Timer0 module has the following features:

- Software selectable as an 8-bit or 16-bit timer/counter
- Readable and writable
- Dedicated 8-bit software programmable prescaler
- Clock source selectable to be external or internal
- Interrupt-on-overflow from FFh to 00h in 8-bit mode and FFFFh to 0000h in 16-bit mode
- Edge select for external clock

Figure 11-1 shows a simplified block diagram of the Timer0 module in 8-bit mode and Figure 11-2 shows a simplified block diagram of the Timer0 module in 16-bit mode.

The T0CON register (Register 11-1) is a readable and writable register that controls all the aspects of Timer0, including the prescale selection.

### REGISTER 11-1: T0CON: TIMER0 CONTROL REGISTER

| R/W-1  | R/W-1  | R/W-1 | R/W-1 | R/W-1 | R/W-1 | R/W-1 | R/W-1 |
|--------|--------|-------|-------|-------|-------|-------|-------|
| TMR0ON | T08BIT | T0CS  | T0SE  | PSA   | T0PS2 | T0PS1 | T0PS0 |
| bit 7  |        |       |       |       |       |       | bit 0 |

- bit 7 **TMR0ON:** Timer0 On/Off Control bit  
 1 = Enables Timer0  
 0 = Stops Timer0
- bit 6 **T08BIT:** Timer0 8-bit/16-bit Control bit  
 1 = Timer0 is configured as an 8-bit timer/counter  
 0 = Timer0 is configured as a 16-bit timer/counter
- bit 5 **T0CS:** Timer0 Clock Source Select bit  
 1 = Transition on T0CKI pin  
 0 = Internal instruction cycle clock (CLKO)
- bit 4 **T0SE:** Timer0 Source Edge Select bit  
 1 = Increment on high-to-low transition on T0CKI pin  
 0 = Increment on low-to-high transition on T0CKI pin
- bit 3 **PSA:** Timer0 Prescaler Assignment bit  
 1 = Timer0 prescaler is NOT assigned. Timer0 clock input bypasses prescaler.  
 0 = Timer0 prescaler is assigned. Timer0 clock input comes from prescaler output.
- bit 2-0 **T0PS2:T0PS0:** Timer0 Prescaler Select bits  
 111 = 1:256 prescale value  
 110 = 1:128 prescale value  
 101 = 1:64 prescale value  
 100 = 1:32 prescale value  
 011 = 1:16 prescale value  
 010 = 1:8 prescale value  
 001 = 1:4 prescale value  
 000 = 1:2 prescale value

#### Legend:

|                    |                  |  |
|--------------------|------------------|--|
| R = Readable bit   | W = Writable bit | U = Unimplemented bit, read as '0'         |
| - n = Value at POR | '1' = Bit is set | '0' = Bit is cleared    x = Bit is unknown |

# PIC18F6520/8520/6620/8620/6720/8720

**FIGURE 11-1: TIMER0 BLOCK DIAGRAM IN 8-BIT MODE**



**FIGURE 11-2: TIMER0 BLOCK DIAGRAM IN 16-BIT MODE**



# PIC18F6520/8520/6620/8620/6720/8720

## 11.1 Timer0 Operation

Timer0 can operate as a timer or as a counter.

Timer mode is selected by clearing the T0CS bit. In Timer mode, the Timer0 module will increment every instruction cycle (without prescaler). If the TMR0 register is written, the increment is inhibited for the following two instruction cycles. The user can work around this by writing an adjusted value to the TMR0 register.

Counter mode is selected by setting the T0CS bit. In Counter mode, Timer0 will increment, either on every rising or falling edge of pin RA4/T0CKI. The incrementing edge is determined by the Timer0 Source Edge Select bit (T0SE). Clearing the T0SE bit selects the rising edge. Restrictions on the external clock input are discussed below.

When an external clock input is used for Timer0, it must meet certain requirements. The requirements ensure the external clock can be synchronized with the internal phase clock (TOSC). Also, there is a delay in the actual incrementing of Timer0 after synchronization.

## 11.2 Prescaler

An 8-bit counter is available as a prescaler for the Timer0 module. The prescaler is not readable or writable.

The PSA and T0PS2:T0PS0 bits determine the prescaler assignment and prescale ratio.

Clearing bit PSA will assign the prescaler to the Timer0 module. When the prescaler is assigned to the Timer0 module, prescale values of 1:2, 1:4, ..., 1:256 are selectable.

When assigned to the Timer0 module, all instructions writing to the TMR0 register (e.g., CLRF TMR0, MOVWF TMR0, BSF TMR0, x, ..., etc.) will clear the prescaler count.

**Note:** Writing to TMR0 when the prescaler is assigned to Timer0, will clear the prescaler count, but will not change the prescaler assignment.

### 11.2.1 SWITCHING PRESCALER ASSIGNMENT

The prescaler assignment is fully under software control, (i.e., it can be changed “on-the-fly” during program execution).

## 11.3 Timer0 Interrupt

The TMR0 interrupt is generated when the TMR0 register overflows from FFh to 00h in 8-bit mode, or FFFFh to 0000h in 16-bit mode. This overflow sets the TMR0IF bit. The interrupt can be masked by clearing the TMR0IE bit. The TMR0IF bit must be cleared in software by the Timer0 module Interrupt Service Routine before re-enabling this interrupt. The TMR0 interrupt cannot awaken the processor from Sleep, since the timer is shut-off during Sleep.

## 11.4 16-Bit Mode Timer Reads and Writes

TMR0H is not the high byte of the timer/counter in 16-bit mode, but is actually a buffered version of the high byte of Timer0 (refer to Figure 11-2). The high byte of the Timer0 counter/timer is not directly readable nor writable. TMR0H is updated with the contents of the high byte of Timer0 during a read of TMR0L. This provides the ability to read all 16 bits of Timer0 without having to verify that the read of the high and low byte were valid, due to a rollover between successive reads of the high and low byte.

A write to the high byte of Timer0 must also take place through the TMR0H Buffer register. Timer0 high byte is updated with the contents of TMR0H when a write occurs to TMR0L. This allows all 16 bits of Timer0 to be updated at once.

**TABLE 11-1: REGISTERS ASSOCIATED WITH TIMER0**

| Name   | Bit 7                            | Bit 6                         | Bit 5  | Bit 4  | Bit 3 | Bit 2  | Bit 1  | Bit 0 | Value on POR, BOR | Value on all other Resets |
|--------|----------------------------------|-------------------------------|--------|--------|-------|--------|--------|-------|-------------------|---------------------------|
| TMR0L  | Timer0 Module Low Byte Register  |                               |        |        |       |        |        |       | xxxx xxxx         | uuuu uuuu                 |
| TMR0H  | Timer0 Module High Byte Register |                               |        |        |       |        |        |       | 0000 0000         | 0000 0000                 |
| INTCON | GIE/GIEH                         | PEIE/GIEL                     | TMR0IE | INT0IE | RBIE  | TMR0IF | INT0IF | RBIF  | 0000 0000         | 0000 0000                 |
| T0CON  | TMR0ON                           | T08BIT                        | T0CS   | T0SE   | PSA   | T0PS2  | T0PS1  | T0PS0 | 1111 1111         | 1111 1111                 |
| TRISA  | —                                | PORTA Data Direction Register |        |        |       |        |        |       | -111 1111         | -111 1111                 |

**Legend:** x = unknown, u = unchanged, — = unimplemented locations, read as ‘0’.  
Shaded cells are not used by Timer0.

# PIC18F6520/8520/6620/8620/6720/8720

---

NOTES:

# PIC18F6520/8520/6620/8620/6720/8720

## 12.0 TIMER1 MODULE

The Timer1 module timer/counter has the following features:

- 16-bit timer/counter (two 8-bit registers: TMR1H and TMR1L)
- Readable and writable (both registers)
- Internal or external clock select
- Interrupt-on-overflow from FFFFh to 0000h
- Reset from CCP module special event trigger

Figure 12-1 is a simplified block diagram of the Timer1 module.

Register 12-1 details the Timer1 Control register. This register controls the operating mode of the Timer1 module and contains the Timer1 Oscillator Enable bit (T1OSCEN). Timer1 can be enabled or disabled by setting or clearing control bit, TMR1ON (T1CON<0>).

Timer1 can also be used to provide Real-Time Clock (RTC) functionality to applications, with only a minimal addition of external components and code overhead.

### REGISTER 12-1: T1CON: TIMER1 CONTROL REGISTER

| R/W-0 | U-0 | R/W-0   | R/W-0   | R/W-0   | R/W-0  | R/W-0  | R/W-0  |
|-------|-----|---------|---------|---------|--------|--------|--------|
| RD16  | —   | T1CKPS1 | T1CKPS0 | T1OSCEN | T1SYNC | TMR1CS | TMR1ON |
| bit 7 |     |         |         |         |        |        | bit 0  |

- bit 7 **RD16:** 16-bit Read/Write Mode Enable bit  
 1 = Enables register read/write of Timer1 in one 16-bit operation  
 0 = Enables register read/write of Timer1 in two 8-bit operations
- bit 6 **Unimplemented:** Read as '0'
- bit 5-4 **T1CKPS1:T1CKPS0:** Timer1 Input Clock Prescale Select bits  
 11 = 1:8 Prescale value  
 10 = 1:4 Prescale value  
 01 = 1:2 Prescale value  
 00 = 1:1 Prescale value
- bit 3 **T1OSCEN:** Timer1 Oscillator Enable bit  
 1 = Timer1 oscillator is enabled  
 0 = Timer1 oscillator is shut off  
 The oscillator inverter and feedback resistor are turned off to eliminate power drain.
- bit 2 **T1SYNC:** Timer1 External Clock Input Synchronization Select bit  
When TMR1CS = 1:  
 1 = Do not synchronize external clock input  
 0 = Synchronize external clock input  
When TMR1CS = 0:  
 This bit is ignored. Timer1 uses the internal clock when TMR1CS = 0.
- bit 1 **TMR1CS:** Timer1 Clock Source Select bit  
 1 = External clock from pin RC0/T1OSO/T13CKI (on the rising edge)  
 0 = Internal clock (FOSC/4)
- bit 0 **TMR1ON:** Timer1 On bit  
 1 = Enables Timer1  
 0 = Stops Timer1

#### Legend:

|                    |                  |  |
|--------------------|------------------|--|
| R = Readable bit   | W = Writable bit | U = Unimplemented bit, read as '0'         |
| - n = Value at POR | '1' = Bit is set | '0' = Bit is cleared    x = Bit is unknown |

# PIC18F6520/8520/6620/8620/6720/8720

## 12.1 Timer1 Operation

Timer1 can operate in one of these modes:

- As a timer
- As a synchronous counter
- As an asynchronous counter

The operating mode is determined by the clock select bit, TMR1CS (T1CON<1>).

When TMR1CS = 0, Timer1 increments every instruction cycle. When TMR1CS = 1, Timer1 increments on every rising edge of the external clock input or the Timer1 oscillator, if enabled.

When the Timer1 oscillator is enabled (T1OSCEN is set), the RC1/T1OSI and RC0/T1OSO/T13CKI pins become inputs. That is, the TRISC<1:0> value is ignored and the pins are read as '0'.

Timer1 also has an internal "Reset input". This Reset can be generated by the CCP module (see Section 16.0 "Capture/Compare/PWM (CCP) Modules").

FIGURE 12-1: TIMER1 BLOCK DIAGRAM



FIGURE 12-2: TIMER1 BLOCK DIAGRAM: 16-BIT READ/WRITE MODE





# PIC18F6520/8520/6620/8620/6720/8720

## 12.2 Timer1 Oscillator

A crystal oscillator circuit is built-in between pins T1OSI (input) and T1OSO (amplifier output). It is enabled by setting control bit, T1OSCEN (T1CON<3>). The oscillator is a low-power oscillator, rated up to 200 kHz. It will continue to run during Sleep. It is primarily intended for a 32 kHz crystal. The circuit for a typical LP oscillator is shown in Figure 12-3. Table 12-1 shows the capacitor selection for the Timer1 oscillator.

The user must provide a software time delay to ensure proper start-up of the Timer1 oscillator

**FIGURE 12-3: EXTERNAL COMPONENTS FOR THE TIMER1 LP OSCILLATOR**



**TABLE 12-1: CAPACITOR SELECTION FOR THE ALTERNATE OSCILLATOR**

| Osc Type                     | Freq                  | C1                 | C2                 |
|------------------------------|-----------------------|--------------------|--------------------|
| LP                           | 32 kHz                | TBD <sup>(1)</sup> | TBD <sup>(1)</sup> |
| <b>Crystal to be Tested:</b> |                       |                    |                    |
| 32.768 kHz                   | Epson C-001R32.768K-A | ± 20 PPM           |                    |

**Note 1:** Microchip suggests 33 pF as a starting point in validating the oscillator circuit.

- 2: Higher capacitance increases the stability of the oscillator, but also increases the start-up time.
- 3: Since each resonator/crystal has its own characteristics, the user should consult the resonator/crystal manufacturer for appropriate values of external components.
- 4: Capacitor values are for design guidance only.

### 12.2.1 LOW-POWER TIMER1 OPTION (PIC18FX520 DEVICES ONLY)

The Timer1 oscillator for PIC18LFX520 devices incorporates a low-power feature, which allows the oscillator to automatically reduce its power consumption when the microcontroller is in Sleep mode.

As high noise environments may cause excessive oscillator instability in Sleep mode, this option is best suited for low noise applications where power conservation is an important design consideration. Due to the low-power nature of the oscillator, it may also be sensitive to rapidly changing signals in close proximity.

The oscillator circuit, shown in Figure 12-3, should be located as close as possible to the microcontroller. There should be no circuits passing within the oscillator circuit boundaries other than Vss or VDD.

If a high-speed circuit must be located near the oscillator (such as the CCP1 pin in output compare or PWM mode, or the primary oscillator using the OSC2 pin), a grounded guard ring around the oscillator circuit, as shown in Figure 12-4, may be helpful when used on a single-sided PCB or in addition to a ground plane.

**FIGURE 12-4: OSCILLATOR CIRCUIT WITH GROUNDED GUARD RING**



**Note:** PIC18FX620/X720 devices have the standard Timer1 oscillator permanently selected. PIC18LFX620/X720 devices have the low-power Timer1 oscillator permanently selected.

# PIC18F6520/8520/6620/8620/6720/8720

## 12.3 Timer1 Interrupt

The TMR1 register pair (TMR1H:TMR1L) increments from 0000h to FFFFh and rolls over to 0000h. The TMR1 interrupt, if enabled, is generated on overflow, which is latched in interrupt flag bit, TMR1IF (PIR1<0>). This interrupt can be enabled/disabled by setting/clearing TMR1 Interrupt Enable bit, TMR1IE (PIE1<0>).

## 12.4 Resetting Timer1 Using a CCP Trigger Output

If the CCP module is configured in Compare mode to generate a “special event trigger” (CCP1M3:CCP1M0 = 1011), this signal will reset Timer1 and start an A/D conversion (if the A/D module is enabled).

**Note:** The special event triggers from the CCP1 module will not set interrupt flag bit TMR1IF (PIR1<0>).

Timer1 must be configured for either Timer or Synchronized Counter mode to take advantage of this feature. If Timer1 is running in Asynchronous Counter mode, this Reset operation may not work.

In the event that a write to Timer1 coincides with a special event trigger from CCP1, the write will take precedence.

In this mode of operation, the CCPR1H:CCPR1L register pair effectively becomes the period register for Timer1.

## 12.5 Timer1 16-Bit Read/Write Mode

Timer1 can be configured for 16-bit reads and writes (see Figure 12-2). When the RD16 control bit (T1CON<7>) is set, the address for TMR1H is mapped to a buffer register for the high byte of Timer1. A read from TMR1L will load the contents of the high byte of Timer1 into the Timer1 high byte buffer. This provides the user with the ability to accurately read all 16 bits of Timer1 without having to determine whether a read of the high byte, followed by a read of the low byte, is valid, due to a rollover between reads.

A write to the high byte of Timer1 must also take place through the TMR1H Buffer register. Timer1 high byte is updated with the contents of TMR1H when a write occurs to TMR1L. This allows a user to write all 16 bits to both the high and low bytes of Timer1 at once.

The high byte of Timer1 is not directly readable or writable in this mode. All reads and writes must take place through the Timer1 High Byte Buffer register. Writes to TMR1H do not clear the Timer1 prescaler. The prescaler is only cleared on writes to TMR1L.

## 12.6 Using Timer1 as a Real-Time Clock

Adding an external LP oscillator to Timer1 (such as the one described in **Section 12.2 “Timer1 Oscillator”**) gives users the option to include RTC functionality to their applications. This is accomplished with an inexpensive watch crystal to provide an accurate time base and several lines of application code to calculate the time. When operating in Sleep mode and using a battery or supercapacitor as a power source, it can completely eliminate the need for a separate RTC device and battery backup.

The application code routine, *RTCisr*, shown in Example 12-1, demonstrates a simple method to increment a counter at one-second intervals using an Interrupt Service Routine. Incrementing the TMR1 register pair to overflow, triggers the interrupt and calls the routine, which increments the seconds counter by one; additional counters for minutes and hours are incremented as the previous counter overflows.

Since the register pair is 16 bits wide, counting up to overflow the register directly from a 32.768 kHz clock would take 2 seconds. To force the overflow at the required one-second intervals, it is necessary to preload it; the simplest method is to set the MSb of TMR1H with a BSF instruction. Note that the TMR1L register is never preloaded or altered; doing so may introduce cumulative error over many cycles.

For this method to be accurate, Timer1 must operate in Asynchronous mode and the Timer1 overflow interrupt must be enabled (PIE1<0> = 1), as shown in the routine, *RTCinit*. The Timer1 oscillator must also be enabled and running at all times.

# PIC18F6520/8520/6620/8620/6720/8720

## EXAMPLE 12-1: IMPLEMENTING A REAL-TIME CLOCK USING A TIMER1 INTERRUPT SERVICE

```

RTCinit
    MOVLW    0x80          ; Preload TMR1 register pair
    MOVWF    TMR1H        ; for 1 second overflow
    CLRF     TMR1L
    MOVLW    b'00001111'  ; Configure for external clock,
    MOVWF    T1OSC        ; Asynchronous operation, external oscillator
    CLRF     secs         ; Initialize timekeeping registers
    CLRF     mins         ;
    MOVLW    .12
    MOVWF    hours
    BSF      PIE1, TMR1IE ; Enable Timer1 interrupt
    RETURN

RTCisr
    BSF      TMR1H, 7     ; Preload for 1 sec overflow
    BCF      PIR1, TMR1IF ; Clear interrupt flag
    INCF     secs, F      ; Increment seconds
    MOVLW    .59         ; 60 seconds elapsed?
    CPFSGT   secs
    RETURN    ; No, done
    CLRF     secs         ; Clear seconds
    INCF     mins, F     ; Increment minutes
    MOVLW    .59         ; 60 minutes elapsed?
    CPFSGT   mins
    RETURN    ; No, done
    CLRF     mins        ; clear minutes
    INCF     hours, F    ; Increment hours
    MOVLW    .23         ; 24 hours elapsed?
    CPFSGT   hours
    RETURN    ; No, done
    MOVLW    .01         ; Reset hours to 1
    MOVWF    hours
    RETURN    ; Done
    
```

**TABLE 12-2: REGISTERS ASSOCIATED WITH TIMER1 AS A TIMER/COUNTER**

| Name   | Bit 7   | Bit 6     | Bit 5   | Bit 4   | Bit 3  | Bit 2  | Bit 1  | Bit 0  | Value on POR, BOR | Value on all other Resets |
|--------|---|-----------|---------|---------|--------|--------|--------|--------|-------------------|---------------------------|
| INTCON | GIE/GIEH  | PEIE/GIEL | TMR0IE  | INT0IE  | RBIE   | TMR0IF | INT0IF | RBIF   | 0000 0000         | 0000 0000                 |
| PIR1   | PSPIF   | ADIF      | RCIF    | TXIF    | SSPIF  | CCP1IF | TMR2IF | TMR1IF | 0000 0000         | 0000 0000                 |
| PIE1   | PSPIE   | ADIE      | RCIE    | TXIE    | SSPIE  | CCP1IE | TMR2IE | TMR1IE | 0000 0000         | 0000 0000                 |
| IPR1   | PSPIP   | ADIP      | RCIP    | TXIP    | SSPIP  | CCP1IP | TMR2IP | TMR1IP | 0111 1111         | 0111 1111                 |
| TMR1L  | Holding Register for the Least Significant Byte of the 16-bit TMR1 Register |           |         |         |        |        |        |        | xxxx xxxx         | uuuu uuuu                 |
| TMR1H  | Holding Register for the Most Significant Byte of the 16-bit TMR1 Register  |           |         |         |        |        |        |        | xxxx xxxx         | uuuu uuuu                 |
| T1CON  | RD16  | —         | T1CKPS1 | T1CKPS0 | T1OSCN | T1SYNC | TMR1CS | TMR1ON | 0-00 0000         | u-uu uuuu                 |

**Legend:** x = unknown, u = unchanged, — = unimplemented, read as '0'. Shaded cells are not used by the Timer1 module.

# PIC18F6520/8520/6620/8620/6720/8720

---

NOTES:

# PIC18F6520/8520/6620/8620/6720/8720

## 13.0 TIMER2 MODULE

The Timer2 module timer has the following features:

- 8-bit timer (TMR2 register)
- 8-bit period register (PR2)
- Readable and writable (both registers)
- Software programmable prescaler (1:1, 1:4, 1:16)
- Software programmable postscaler (1:1 to 1:16)
- Interrupt on TMR2 match of PR2
- SSP module optional use of TMR2 output to generate clock shift

Timer2 has a control register shown in Register 13-1. Timer2 can be shut-off by clearing control bit, TMR2ON (T2CON<2>), to minimize power consumption. Figure 13-1 is a simplified block diagram of the Timer2 module. Register 13-1 shows the Timer2 Control register. The prescaler and postscaler selection of Timer2 are controlled by this register.

## 13.1 Timer2 Operation

Timer2 can be used as the PWM time base for the PWM mode of the CCP module. The TMR2 register is readable and writable and is cleared on any device Reset. The input clock (Fosc/4) has a prescale option of 1:1, 1:4 or 1:16, selected by control bits, T2CKPS1:T2CKPS0 (T2CON<1:0>). The match output of TMR2 goes through a 4-bit postscaler (which gives a 1:1 to 1:16 scaling inclusive) to generate a TMR2 interrupt (latched in flag bit, TMR2IF (PIR1<1>)).

The prescaler and postscaler counters are cleared when any of the following occurs:

- a write to the TMR2 register
- a write to the T2CON register
- any device Reset (Power-on Reset,  $\overline{\text{MCLR}}$  Reset, Watchdog Timer Reset or Brown-out Reset)

TMR2 is not cleared when T2CON is written.

**REGISTER 13-1: T2CON: TIMER2 CONTROL REGISTER**

|       |          |          |          |          |        |         |         |
|-------|----------|----------|----------|----------|--------|---------|---------|
| U-0   | R/W-0    | R/W-0    | R/W-0    | R/W-0    | R/W-0  | R/W-0   | R/W-0   |
| —     | T2OUTPS3 | T2OUTPS2 | T2OUTPS1 | T2OUTPS0 | TMR2ON | T2CKPS1 | T2CKPS0 |
| bit 7 |          |          |          |          |        |         | bit 0   |

- bit 7 **Unimplemented:** Read as '0'
- bit 6-3 **T2OUTPS3:T2OUTPS0:** Timer2 Output Postscale Select bits  
 0000 = 1:1 Postscale  
 0001 = 1:2 Postscale  
 •  
 •  
 •  
 1111 = 1:16 Postscale
- bit 2 **TMR2ON:** Timer2 On bit  
 1 = Timer2 is on  
 0 = Timer2 is off
- bit 1-0 **T2CKPS1:T2CKPS0:** Timer2 Clock Prescale Select bits  
 00 = Prescaler is 1  
 01 = Prescaler is 4  
 1x = Prescaler is 16

**Legend:**

|                    |                  |  |
|--------------------|------------------|--|
| R = Readable bit   | W = Writable bit | U = Unimplemented bit, read as '0'         |
| - n = Value at POR | '1' = Bit is set | '0' = Bit is cleared    x = Bit is unknown |

# PIC18F6520/8520/6620/8620/6720/8720

## 13.2 Timer2 Interrupt

The Timer2 module has an 8-bit period register, PR2. Timer2 increments from 00h until it matches PR2 and then resets to 00h on the next increment cycle. PR2 is a readable and writable register. The PR2 register is initialized to FFh upon Reset.

## 13.3 Output of TMR2

The output of TMR2 (before the postscaler) is fed to the synchronous serial port module, which optionally uses it to generate the shift clock.

**FIGURE 13-1: TIMER2 BLOCK DIAGRAM**



**TABLE 13-1: REGISTERS ASSOCIATED WITH TIMER2 AS A TIMER/COUNTER**

| Name   | Bit 7                  | Bit 6     | Bit 5    | Bit 4    | Bit 3    | Bit 2  | Bit 1   | Bit 0   | Value on POR, BOR | Value on all other Resets |
|--------|------------------------|-----------|----------|----------|----------|--------|---------|---------|-------------------|---------------------------|
| INTCON | GIE/GIEH               | PEIE/GIEL | TMR0IE   | INT0IE   | RBIE     | TMR0IF | INT0IF  | RBIF    | 0000 0000         | 0000 0000                 |
| PIR1   | PSPIF                  | ADIF      | RCIF     | TXIF     | SSPIF    | CCP1IF | TMR2IF  | TMR1IF  | 0000 0000         | 0000 0000                 |
| PIE1   | PSPIE                  | ADIE      | RCIE     | TXIE     | SSPIE    | CCP1IE | TMR2IE  | TMR1IE  | 0000 0000         | 0000 0000                 |
| IPR1   | PSPIP                  | ADIP      | RCIP     | TXIP     | SSPIP    | CCP1IP | TMR2IP  | TMR1IP  | 0111 1111         | 0111 1111                 |
| TMR2   | Timer2 Module Register |           |          |          |          |        |         |         | 0000 0000         | 0000 0000                 |
| T2CON  | —                      | T2OUTPS3  | T2OUTPS2 | T2OUTPS1 | T2OUTPS0 | TMR2ON | T2CKPS1 | T2CKPS0 | -000 0000         | -000 0000                 |
| PR2    | Timer2 Period Register |           |          |          |          |        |         |         | 1111 1111         | 1111 1111                 |

**Legend:** x = unknown, u = unchanged, - = unimplemented, read as '0'. Shaded cells are not used by the Timer2 module.

# PIC18F6520/8520/6620/8620/6720/8720

## 14.0 TIMER3 MODULE

The Timer3 module timer/counter has the following features:

- 16-bit timer/counter (two 8-bit registers; TMR3H and TMR3L)
- Readable and writable (both registers)
- Internal or external clock select
- Interrupt-on-overflow from FFFFh to 0000h
- Reset from CCP module trigger

Figure 14-1 is a simplified block diagram of the Timer3 module.

Register 14-1 shows the Timer3 Control register. This register controls the operating mode of the Timer3 module and sets the CCP clock source.

Register 12-1 shows the Timer1 Control register. This register controls the operating mode of the Timer1 module, as well as contains the Timer1 Oscillator Enable bit (T1OSCEN), which can be a clock source for Timer3.

### REGISTER 14-1: T3CON: TIMER3 CONTROL REGISTER

| R/W-0 | R/W-0  | R/W-0   | R/W-0   | R/W-0  | R/W-0  | R/W-0  | R/W-0  |
|-------|--------|---------|---------|--------|--------|--------|--------|
| RD16  | T3CCP2 | T3CKPS1 | T3CKPS0 | T3CCP1 | T3SYNC | TMR3CS | TMR3ON |
| bit 7 |        |         |         |        |        |        | bit 0  |

- bit 7 **RD16:** 16-bit Read/Write Mode Enable bit  
 1 = Enables register read/write of Timer3 in one 16-bit operation  
 0 = Enables register read/write of Timer3 in two 8-bit operations
- bit 6, 3 **T3CCP2:T3CCP1:** Timer3 and Timer1 to CCPx Enable bits  
 11 = Timer3 and Timer4 are the clock sources for CCP1 through CCP5  
 10 = Timer3 and Timer4 are the clock sources for CCP3 through CCP5;  
 Timer1 and Timer2 are the clock sources for CCP1 and CCP2  
 01 = Timer3 and Timer4 are the clock sources for CCP2 through CCP5;  
 Timer1 and Timer2 are the clock sources for CCP1  
 00 = Timer1 and Timer2 are the clock sources for CCP1 through CCP5
- bit 5-4 **T3CKPS1:T3CKPS0:** Timer3 Input Clock Prescale Select bits  
 11 = 1:8 Prescale value  
 10 = 1:4 Prescale value  
 01 = 1:2 Prescale value  
 00 = 1:1 Prescale value
- bit 2 **T3SYNC:** Timer3 External Clock Input Synchronization Control bit  
 (Not usable if the system clock comes from Timer1/Timer3.)  
When TMR3CS = 1:  
 1 = Do not synchronize external clock input  
 0 = Synchronize external clock input  
When TMR3CS = 0:  
 This bit is ignored. Timer3 uses the internal clock when TMR3CS = 0.
- bit 1 **TMR3CS:** Timer3 Clock Source Select bit  
 1 = External clock input from Timer1 oscillator or T13CKI (on the rising edge after the first falling edge)  
 0 = Internal clock (Fosc/4)
- bit 0 **TMR3ON:** Timer3 On bit  
 1 = Enables Timer3  
 0 = Stops Timer3

#### Legend:

|                    |                  |  |
|--------------------|------------------|--|
| R = Readable bit   | W = Writable bit | U = Unimplemented bit, read as '0'         |
| - n = Value at POR | '1' = Bit is set | '0' = Bit is cleared    x = Bit is unknown |

# PIC18F6520/8520/6620/8620/6720/8720

## 14.1 Timer3 Operation

Timer3 can operate in one of these modes:

- As a timer
- As a synchronous counter
- As an asynchronous counter

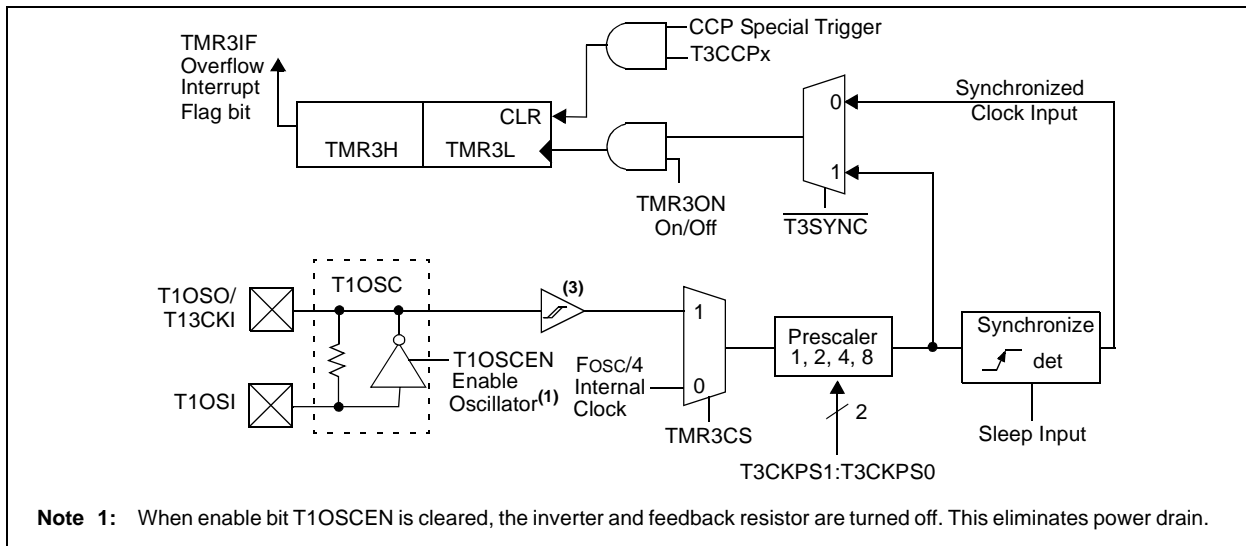
The operating mode is determined by the clock select bit, TMR3CS (T3CON<1>).

When TMR3CS = 0, Timer3 increments every instruction cycle. When TMR3CS = 1, Timer3 increments on every rising edge of the Timer1 external clock input or the Timer1 oscillator, if enabled.

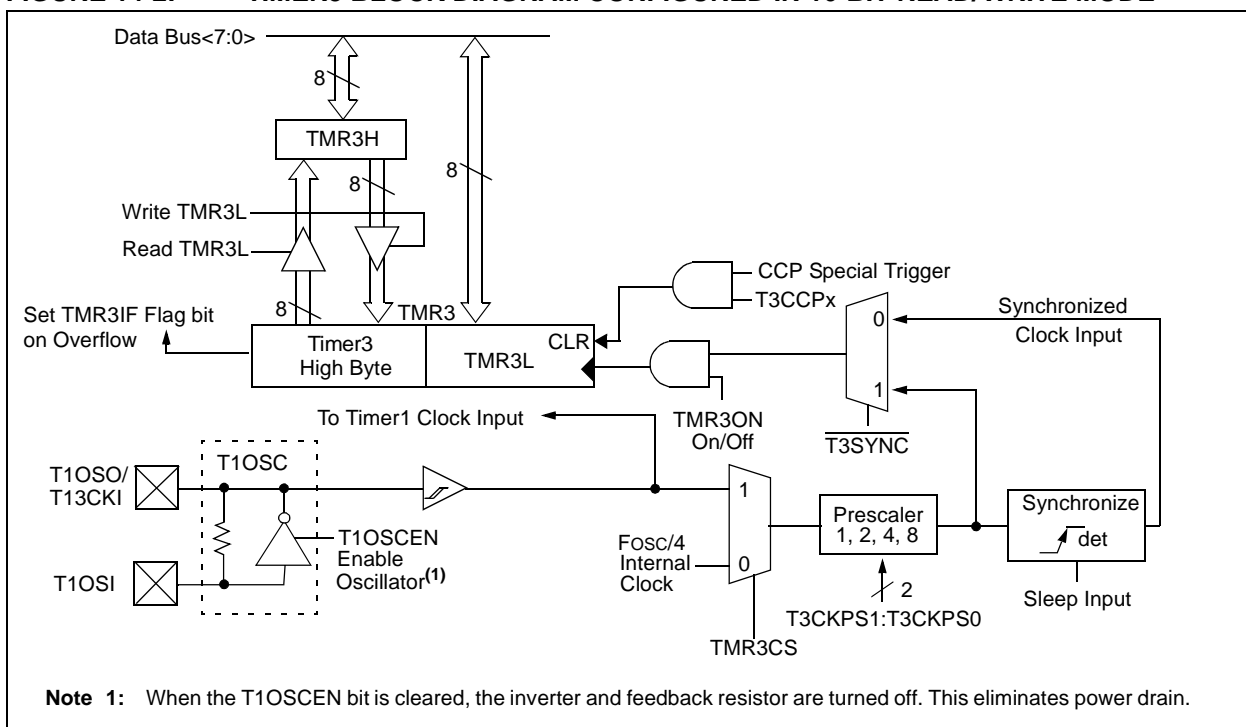
When the Timer1 oscillator is enabled (T1OSCEN is set), the RC1/T1OSI and RC0/T1OSO/T13CKI pins become inputs. That is, the TRISC<1:0> value is ignored and the pins are read as '0'.

Timer3 also has an internal "Reset input". This Reset can be generated by the CCP module (see **Section 14.0 "Timer3 Module"**).

**FIGURE 14-1: TIMER3 BLOCK DIAGRAM**



**FIGURE 14-2: TIMER3 BLOCK DIAGRAM CONFIGURED IN 16-BIT READ/WRITE MODE**





# PIC18F6520/8520/6620/8620/6720/8720

## 14.2 Timer1 Oscillator

The Timer1 oscillator may be used as the clock source for Timer3. The Timer1 oscillator is enabled by setting the T1OSCEN (T1CON<3>) bit. The oscillator is a low-power oscillator rated up to 200 kHz. See **Section 12.0 “Timer1 Module”** for further details.

## 14.3 Timer3 Interrupt

The TMR3 register pair (TMR3H:TMR3L) increments from 0000h to FFFFh and rolls over to 0000h. The TMR3 interrupt, if enabled, is generated on overflow, which is latched in interrupt flag bit, TMR3IF (PIR2<1>). This interrupt can be enabled/disabled by setting/clearing TMR3 Interrupt Enable bit, TMR3IE (PIE2<1>).

## 14.4 Resetting Timer3 Using a CCP Trigger Output

If the CCP module is configured in Compare mode to generate a “special event trigger” (CCP1M3:CCP1M0 = 1011), this signal will reset Timer3.

**Note:** The special event triggers from the CCP module will not set interrupt flag bit, TMR3IF (PIR1<0>).

Timer3 must be configured for either Timer or Synchronized Counter mode to take advantage of this feature. If Timer3 is running in Asynchronous Counter mode, this Reset operation may not work. In the event that a write to Timer3 coincides with a special event trigger from CCP1, the write will take precedence. In this mode of operation, the CCPR1H:CCPR1L register pair effectively becomes the period register for Timer3.

**TABLE 14-1: REGISTERS ASSOCIATED WITH TIMER3 AS A TIMER/COUNTER**

| Name   | Bit 7   | Bit 6     | Bit 5   | Bit 4   | Bit 3   | Bit 2               | Bit 1  | Bit 0  | Value on POR, BOR | Value on all other Resets |
|--------|---|-----------|---------|---------|---------|---------------------|--------|--------|-------------------|---------------------------|
| INTCON | GIE/GIEH  | PEIE/GIEL | TMR0IE  | INT0IE  | RBIE    | TMR0IF              | INT0IF | RBIF   | 0000 0000         | 0000 0000                 |
| PIR2   | —   | —         | —       | EEIF    | BCLIF   | LVDIF               | TMR3IF | CCP2IF | ---0 0000         | ---0 0000                 |
| PIE2   | —   | —         | —       | EEIE    | BCLIE   | LVDIE               | TMR3IE | CCP2IE | ---0 0000         | ---0 0000                 |
| IPR2   | —   | —         | —       | EEIP    | BCLIP   | LVDIP               | TMR3IP | CCP2IP | ---1 1111         | ---1 1111                 |
| TMR3L  | Holding Register for the Least Significant Byte of the 16-bit TMR3 Register |           |         |         |         |                     |        |        | xxxx xxxx         | uuuu uuuu                 |
| TMR3H  | Holding Register for the Most Significant Byte of the 16-bit TMR3 Register  |           |         |         |         |                     |        |        | xxxx xxxx         | uuuu uuuu                 |
| T1CON  | RD16  | —         | T1CKPS1 | T1CKPS0 | T1OSCEN | $\overline{T1SYNC}$ | TMR1CS | TMR1ON | 0-00 0000         | u-uu uuuu                 |
| T3CON  | RD16  | T3CCP2    | T3CKPS1 | T3CKPS0 | T3CCP1  | $\overline{T3SYNC}$ | TMR3CS | TMR3ON | 0000 0000         | uuuu uuuu                 |

**Legend:** x = unknown, u = unchanged, - = unimplemented, read as '0'. Shaded cells are not used by the Timer3 module.

# PIC18F6520/8520/6620/8620/6720/8720

---

NOTES:

# PIC18F6520/8520/6620/8620/6720/8720

## 15.0 TIMER4 MODULE

The Timer4 module timer has the following features:

- 8-bit timer (TMR4 register)
- 8-bit period register (PR4)
- Readable and writable (both registers)
- Software programmable prescaler (1:1, 1:4, 1:16)
- Software programmable postscaler (1:1 to 1:16)
- Interrupt on TMR4 match of PR4

Timer4 has a control register shown in Register 15-1. Timer4 can be shut-off by clearing control bit, TMR4ON (T4CON<2>), to minimize power consumption. The prescaler and postscaler selection of Timer4 are also controlled by this register. Figure 15-1 is a simplified block diagram of the Timer4 module.

## 15.1 Timer4 Operation

Timer4 can be used as the PWM time base for the PWM mode of the CCP module. The TMR4 register is readable and writable and is cleared on any device Reset. The input clock (Fosc/4) has a prescale option of 1:1, 1:4 or 1:16, selected by control bits T4CKPS1:T4CKPS0 (T4CON<1:0>). The match output of TMR4 goes through a 4-bit postscaler (which gives a 1:1 to 1:16 scaling inclusive) to generate a TMR4 interrupt, latched in flag bit, TMR4IF (PIR3<3>).

The prescaler and postscaler counters are cleared when any of the following occurs:

- a write to the TMR4 register
- a write to the T4CON register
- any device Reset (Power-on Reset,  $\overline{\text{MCLR}}$  Reset, Watchdog Timer Reset or Brown-out Reset)

TMR4 is not cleared when T4CON is written.

### REGISTER 15-1: T4CON: TIMER4 CONTROL REGISTER

|       |          |          |          |          |        |         |         |
|-------|----------|----------|----------|----------|--------|---------|---------|
| U-0   | R/W-0    | R/W-0    | R/W-0    | R/W-0    | R/W-0  | R/W-0   | R/W-0   |
| —     | T4OUTPS3 | T4OUTPS2 | T4OUTPS1 | T4OUTPS0 | TMR4ON | T4CKPS1 | T4CKPS0 |
| bit 7 |          |          |          |          |        |         | bit 0   |

bit 7 **Unimplemented:** Read as '0'

bit 6-3 **T4OUTPS3:T4OUTPS0:** Timer4 Output Postscale Select bits

0000 = 1:1 Postscale

0001 = 1:2 Postscale

•

•

•

1111 = 1:16 Postscale

bit 2 **TMR4ON:** Timer4 On bit

1 = Timer4 is on

0 = Timer4 is off

bit 1-0 **T4CKPS1:T4CKPS0:** Timer4 Clock Prescale Select bits

00 = Prescaler is 1

01 = Prescaler is 4

1x = Prescaler is 16

#### Legend:

R = Readable bit

W = Writable bit

U = Unimplemented bit, read as '0'

- n = Value at POR

'1' = Bit is set

'0' = Bit is cleared

x = Bit is unknown

# PIC18F6520/8520/6620/8620/6720/8720

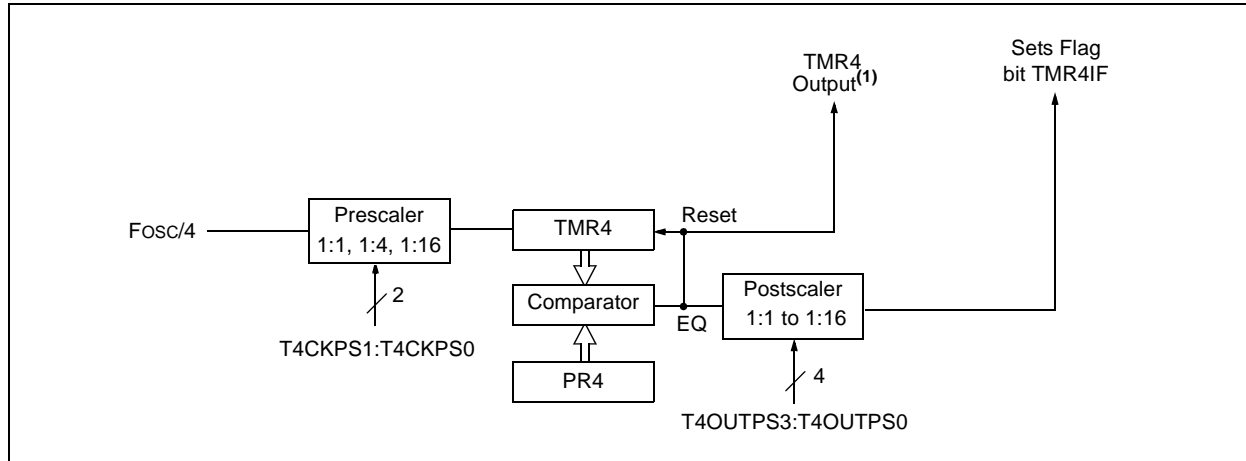
## 15.2 Timer4 Interrupt

The Timer4 module has an 8-bit period register, PR4, which is both readable and writable. Timer4 increments from 00h until it matches PR4 and then resets to 00h on the next increment cycle. The PR4 register is initialized to FFh upon Reset.

## 15.3 Output of TMR4

The output of TMR4 (before the postscaler) is used only as a PWM time base for the CCP modules. It is not used as a baud rate clock for the MSSP, as is the Timer2 output.

**FIGURE 15-1: TIMER4 BLOCK DIAGRAM**



**TABLE 15-1: REGISTERS ASSOCIATED WITH TIMER4 AS A TIMER/COUNTER**

| Name   | Bit 7                  | Bit 6     | Bit 5    | Bit 4    | Bit 3    | Bit 2  | Bit 1   | Bit 0   | Value on POR, BOR | Value on all other Resets |
|--------|------------------------|-----------|----------|----------|----------|--------|---------|---------|-------------------|---------------------------|
| INTCON | GIE/GIEH               | PEIE/GIEL | TMR0IE   | INT0IE   | RBIE     | TMR0IF | INT0IF  | RBIF    | 0000 0000         | 0000 0000                 |
| IPR3   | —                      | —         | RC2IP    | TX2IP    | TMR4IP   | CCP5IP | CCP4IP  | CCP3IP  | --11 1111         | --00 0000                 |
| PIR3   | —                      | —         | RC2IF    | TX2IF    | TMR4IF   | CCP5IF | CCP4IF  | CCP3IF  | --00 0000         | --00 0000                 |
| PIE3   | —                      | —         | RC2IE    | TX2IE    | TMR4IE   | CCP5IE | CCP4IE  | CCP3IE  | --00 0000         | --00 0000                 |
| TMR4   | Timer4 Module Register |           |          |          |          |        |         |         | 0000 0000         | 0000 0000                 |
| T4CON  | —                      | T4OUTPS3  | T4OUTPS2 | T4OUTPS1 | T4OUTPS0 | TMR4ON | T4CKPS1 | T4CKPS0 | -000 0000         | -000 0000                 |
| PR4    | Timer4 Period Register |           |          |          |          |        |         |         | 1111 1111         | 1111 1111                 |

**Legend:** x = unknown, u = unchanged, — = unimplemented, read as '0'. Shaded cells are not used by the Timer4 module.

# PIC18F6520/8520/6620/8620/6720/8720

## 16.0 CAPTURE/COMPARE/PWM (CCP) MODULES

The PIC18FXX20 devices all have five CCP (Capture/Compare/PWM) modules. Each module contains a 16-bit register, which can operate as a 16-bit Capture register, a 16-bit Compare register or a Pulse Width Modulation (PWM) Master/Slave Duty Cycle register. Table 16-1 shows the timer resources of the CCP module modes.

The operation of all CCP modules are identical, with the exception of the special event trigger present on CCP1 and CCP2.

For the sake of clarity, CCP module operation in the following sections is described with respect to CCP1. The descriptions can be applied (with the exception of the special event triggers) to any of the modules.

**Note:** Throughout this section, references to register and bit names that may be associated with a specific CCP module are referred to generically by the use of 'x' or 'y' in place of the specific module number. Thus, "CCPxCON" might refer to the control register for CCP1, CCP2, CCP3, CCP4 or CCP5.

**REGISTER 16-1: CCPxCON REGISTER**

|       |     |     |       |       |        |        |        |        |
|-------|-----|-----|-------|-------|--------|--------|--------|--------|
|       | U-0 | U-0 | R/W-0 | R/W-0 | R/W-0  | R/W-0  | R/W-0  | R/W-0  |
|       | —   | —   | DCxB1 | DCxB0 | CCPxM3 | CCPxM2 | CCPxM1 | CCPxM0 |
| bit 7 |     |     |       |       |        |        |        | bit 0  |

bit 7-6 **Unimplemented:** Read as '0'

bit 5-4 **DCxB1:DCxB0:** PWM Duty Cycle bit 1 and bit 0 for CCP Module x

Capture mode:

Unused.

Compare mode:

Unused.

PWM mode:

These bits are the two Least Significant bits (bit 1 and bit 0) of the 10-bit PWM duty cycle. The eight Most Significant bits (DCx9:DCx2) of the duty cycle are found in CCPRxL.

bit 3-0 **CCPxM3:CCPxM0:** CCP Module x Mode Select bits

0000 = Capture/Compare/PWM disabled (resets CCPx module)

0001 = Reserved

0010 = Compare mode, toggle output on match (CCPxIF bit is set)

0011 = Reserved

0100 = Capture mode, every falling edge

0101 = Capture mode, every rising edge

0110 = Capture mode, every 4th rising edge

0111 = Capture mode, every 16th rising edge

1000 = Compare mode, Initialize CCP pin Low; on compare match, force CCP pin High (CCPIF bit is set)

1001 = Compare mode, Initialize CCP pin High; on compare match, force CCP pin Low (CCPIF bit is set)

1010 = Compare mode, Generate software interrupt on compare match (CCPIF bit is set, CCP pin is unaffected)

1011 = Compare mode, trigger special event (CCPIF bit is set):

For CCP1 and CCP2:

Timer1 or Timer3 is reset on event.

For all other modules:

CCPx pin is unaffected and is configured as an I/O port (same as CCPxM<3:0> = 1010, above).

11xx = PWM mode

**Legend:**

R = Readable bit

W = Writable bit

U = Unimplemented bit, read as '0'

- n = Value at POR

'1' = Bit is set

'0' = Bit is cleared

x = Bit is unknown

# PIC18F6520/8520/6620/8620/6720/8720

## 16.1 CCP Module Configuration

Each Capture/Compare/PWM module is associated with a control register (generically, CCPxCON) and a data register (CCPRx). The data register, in turn, is comprised of two 8-bit registers: CCPRxL (low byte) and CCPRxH (high byte). All registers are both readable and writable.

### 16.1.1 CCP MODULES AND TIMER RESOURCES

The CCP modules utilize Timers 1, 2, 3 or 4, depending on the mode selected. Timer1 and Timer3 are available to modules in Capture or Compare modes, while Timer2 and Timer4 are available for modules in PWM mode.

**TABLE 16-1: CCP MODE – TIMER RESOURCE**

| CCP Mode | Timer Resource   |
|----------|------------------|
| Capture  | Timer1 or Timer3 |
| Compare  | Timer1 or Timer3 |
| PWM      | Timer2 or Timer4 |

The assignment of a particular timer to a module is determined by the Timer-to-CCP Enable bits in the T3CON register (Register 14-1). Depending on the configuration selected, up to four timers may be active at once, with modules in the same configuration (Capture/Compare or PWM) sharing timer resources. The possible configurations are shown in Figure 16-1.

**FIGURE 16-1: CCP AND TIMER INTERCONNECT CONFIGURATIONS**



# PIC18F6520/8520/6620/8620/6720/8720

## 16.2 Capture Mode

In Capture mode, CCP1H:CCP1L captures the 16-bit value of the TMR1 or TMR3 registers when an event occurs on pin RC2/CCP1. An event is defined as one of the following:

- every falling edge
- every rising edge
- every 4th rising edge
- every 16th rising edge

The event is selected by control bits, CCP1M3:CCP1M0 (CCP1CON<3:0>). When a capture is made, the interrupt request flag bit, CCP1IF (PIR1<2>), is set; it must be cleared in software. If another capture occurs before the value in register CCP1 is read, the old captured value is overwritten by the new captured value.

### 16.2.1 CCP PIN CONFIGURATION

In Capture mode, the RC2/CCP1 pin should be configured as an input by setting the TRISC<2> bit.

**Note:** If the RC2/CCP1 is configured as an output, a write to the port can cause a capture condition.

### 16.2.2 TIMER1/TIMER3 MODE SELECTION

The timers that are to be used with the capture feature (Timer1 and/or Timer3) must be running in Timer mode, or Synchronized Counter mode. In Asynchronous Counter mode, the capture operation may not work. The timer to be used with each CCP module is selected in the T3CON register (see **Section 16.1.1 “CCP Modules and Timer Resources”**).

### 16.2.3 SOFTWARE INTERRUPT

When the Capture mode is changed, a false capture interrupt may be generated. The user should keep bit CCP1IE (PIE1<2>) clear to avoid false interrupts and should clear the flag bit, CCP1IF, following any such change in operating mode.

### 16.2.4 CCP PRESCALER

There are four prescaler settings, specified by bits CCP1M3:CCP1M0. Whenever the CCP module is turned off or the CCP module is not in Capture mode, the prescaler counter is cleared. This means that any Reset will clear the prescaler counter.

Switching from one capture prescaler to another may generate an interrupt. Also, the prescaler counter will not be cleared, therefore, the first capture may be from a non-zero prescaler. Example 16-1 shows the recommended method for switching between capture prescalers. This example also clears the prescaler counter and will not generate the “false” interrupt.

#### EXAMPLE 16-1: CHANGING BETWEEN CAPTURE PRESCALERS

```
CLRF  CCP1CON, F ; Turn CCP module off
MOVLW NEW_CAPT_PS ; Load WREG with the
                    ; new prescaler mode
                    ; value and CCP ON
MOVWF  CCP1CON   ; Load CCP1CON with
                    ; this value
```

**FIGURE 16-2: CAPTURE MODE OPERATION BLOCK DIAGRAM**



# PIC18F6520/8520/6620/8620/6720/8720

## 16.3 Compare Mode

In Compare mode, the 16-bit CCPR1 register value is constantly compared against either the TMR1 register pair value or the TMR3 register pair value. When a match occurs, the CCP1 pin:

- is driven High
- is driven Low
- toggles output (high-to-low or low-to-high)
- remains unchanged

The action on the pin is based on the value of control bits, CCP1M3:CCP1M0. At the same time, interrupt flag bit CCP1IF (CCP2IF) is set.

### 16.3.1 CCP PIN CONFIGURATION

The user must configure the CCPx pin as an output by clearing the appropriate TRIS bit.

**Note:** Clearing the CCP1CON register will force the RC2/CCP1 compare output latch to the default low level. This is not the PORTC I/O data latch.

### 16.3.2 TIMER1/TIMER3 MODE SELECTION

Timer1 and/or Timer3 must be running in Timer mode, or Synchronized Counter mode, if the CCP module is using the compare feature. In Asynchronous Counter mode, the compare operation may not work.

### 16.3.3 SOFTWARE INTERRUPT MODE

When generate software interrupt is chosen, the CCP1 pin is not affected. Only a CCP interrupt is generated (if enabled).

### 16.3.4 SPECIAL EVENT TRIGGER

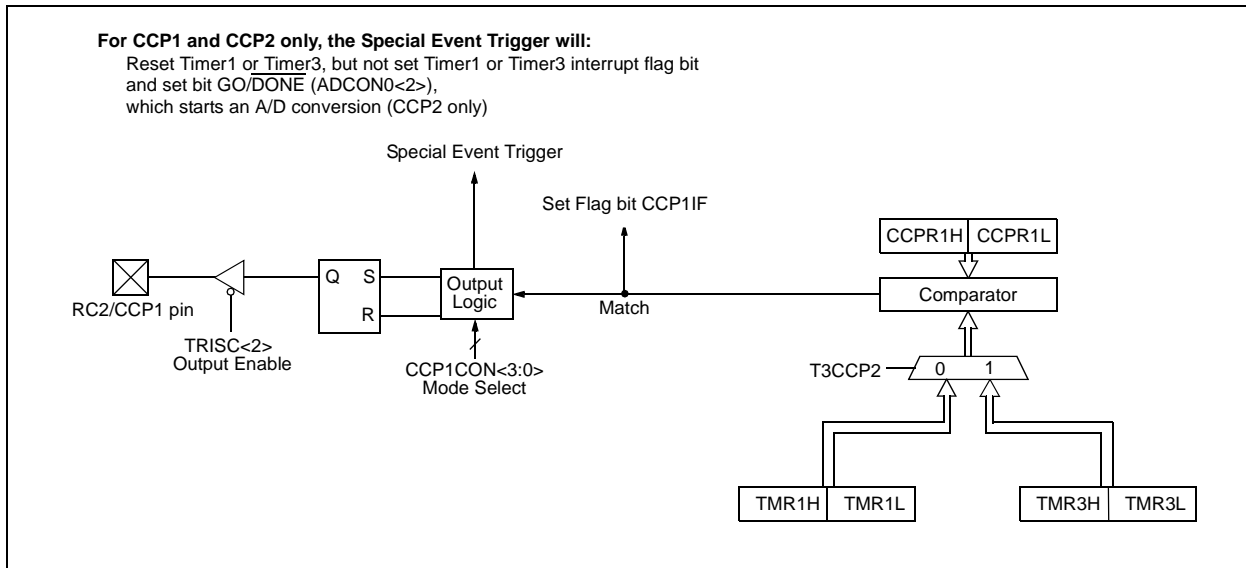
In this mode, an internal hardware trigger is generated, which may be used to initiate an action.

The special event trigger output of either CCP1 or CCP2, resets the TMR1 or TMR3 register pair, depending on which timer resource is currently selected. This allows the CCPR1 register to effectively be a 16-bit programmable period register for Timer1 or Timer3.

The CCP2 Special Event Trigger will also start an A/D conversion if the A/D module is enabled.

**Note:** The special event trigger from the CCP2 module will not set the Timer1 or Timer3 interrupt flag bits.

**FIGURE 16-3: COMPARE MODE OPERATION BLOCK DIAGRAM**





# PIC18F6520/8520/6620/8620/6720/8720

**TABLE 16-2: REGISTERS ASSOCIATED WITH CAPTURE, COMPARE, TIMER1 AND TIMER3**

| Name                   | Bit 7   | Bit 6     | Bit 5   | Bit 4           | Bit 3           | Bit 2               | Bit 1            | Bit 0            | Value on POR, BOR | Value on all other Resets |
|------------------------|---|-----------|---------|-----------------|-----------------|---------------------|------------------|------------------|-------------------|---------------------------|
| INTCON                 | GIE/GIEH  | PEIE/GIEL | TMR0IE  | INT0IE          | RBIE            | TMR0IF              | INT0IF           | RBIF             | 0000 0000         | 0000 0000                 |
| RCON                   | IPEN  | —         | —       | $\overline{RI}$ | $\overline{TO}$ | $\overline{PD}$     | $\overline{POR}$ | $\overline{BOR}$ | 0--1 11qq         | 0--q qquu                 |
| PIR1                   | PSPIF   | ADIF      | RCIF    | TXIF            | SSPIF           | CCP1IF              | TMR2IF           | TMR1IF           | 0000 0000         | 0000 0000                 |
| PIE1                   | PSPIE   | ADIE      | RCIE    | TXIE            | SSPIE           | CCP1IE              | TMR2IE           | TMR1IE           | 0000 0000         | 0000 0000                 |
| IPR1                   | PSPIP   | ADIP      | RCIP    | TXIP            | SSPIP           | CCP1IP              | TMR2IP           | TMR1IP           | 0111 1111         | 0111 1111                 |
| PIR2                   | —   | CMIE      | —       | EEIE            | BCLIF           | LVDIF               | TMR3IF           | CCP2IF           | -0-0 0000         | ---0 0000                 |
| PIE2                   | —   | CMIE      | —       | EEIF            | BCLIE           | LVDIE               | TMR3IE           | CCP2IE           | -0-0 0000         | ---0 0000                 |
| IPR2                   | —   | CMIP      | —       | EEIP            | BCLIP           | LVDIP               | TMR3IP           | CCP2IP           | -1-1 1111         | ---1 1111                 |
| PIR3                   | —   | —         | RC2IF   | TX2IF           | TMR4IF          | CCP5IF              | CCP4IF           | CCP3IF           | --00 0000         | --00 0000                 |
| PIE3                   | —   | —         | RC2IE   | TX2IE           | TMR4IE          | CCP5IE              | CCP4IE           | CCP3IE           | --00 0000         | --00 0000                 |
| IPR3                   | —   | —         | RC2IP   | TX2IP           | TMR4IP          | CCP5IP              | CCP4IP           | CCP3IP           | --11 1111         | --11 1111                 |
| TRISC                  | PORTC Data Direction Register   |           |         |                 |                 |                     |                  |                  | 1111 1111         | 1111 1111                 |
| TMR1L                  | Holding Register for the Least Significant Byte of the 16-bit TMR1 Register |           |         |                 |                 |                     |                  |                  | xxxx xxxx         | uuuu uuuu                 |
| TMR1H                  | Holding Register for the Most Significant Byte of the 16-bit TMR1 Register  |           |         |                 |                 |                     |                  |                  | xxxx xxxx         | uuuu uuuu                 |
| T1CON                  | RD16  | —         | T1CKPS1 | T1CKPS0         | T1OSCEN         | $\overline{T1SYNC}$ | TMR1CS           | TMR1ON           | 0-00 0000         | u-uu uuuu                 |
| TMR3H                  | Timer3 Register High Byte   |           |         |                 |                 |                     |                  |                  | xxxx xxxx         | uuuu uuuu                 |
| TMR3L                  | Timer3 Register Low Byte  |           |         |                 |                 |                     |                  |                  | xxxx xxxx         | uuuu uuuu                 |
| T3CON                  | RD16  | T3CCP2    | T3CKPS1 | T3CKPS0         | T3CCP1          | $\overline{T3SYNC}$ | TMR3CS           | TMR3ON           | 0000 0000         | uuuu uuuu                 |
| CCPRxL <sup>(1)</sup>  | Capture/Compare/PWM Register x (LSB)  |           |         |                 |                 |                     |                  |                  | xxxx xxxx         | uuuu uuuu                 |
| CCPRxH <sup>(1)</sup>  | Capture/Compare/PWM Register x (MSB)  |           |         |                 |                 |                     |                  |                  | xxxx xxxx         | uuuu uuuu                 |
| CCPxCON <sup>(1)</sup> | —   | —         | DCxB1   | DCxB0           | CCPxM3          | CCPxM2              | CCPxM1           | CCPxM0           | --00 0000         | --00 0000                 |

**Legend:** x = unknown, u = unchanged, - = unimplemented, read as '0'.  
Shaded cells are not used by Capture and Compare, Timer1 or Timer3.

**Note 1:** Generic term for all of the identical registers of this name for all CCP modules, where 'x' identifies the individual module (CCP1 through CCP5). Bit assignments and Reset values for all registers of the same generic name are identical.

# PIC18F6520/8520/6620/8620/6720/8720

## 16.4 PWM Mode

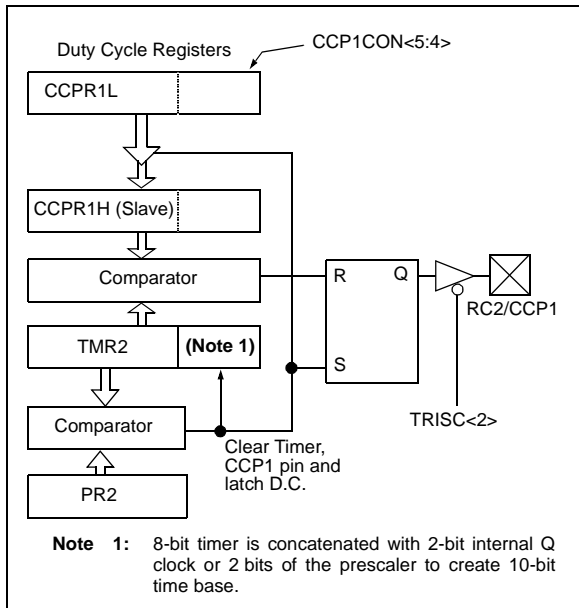
In Pulse Width Modulation (PWM) mode, the CCP1 pin produces up to a 10-bit resolution PWM output. Since the CCP1 pin is multiplexed with the PORTC data latch, the TRISC<2> bit must be cleared to make the CCP1 pin an output.

**Note:** Clearing the CCP1CON register will force the CCP1 PWM output latch to the default low level. This is not the PORTC I/O data latch.

Figure 16-4 shows a simplified block diagram of the CCP module in PWM mode.

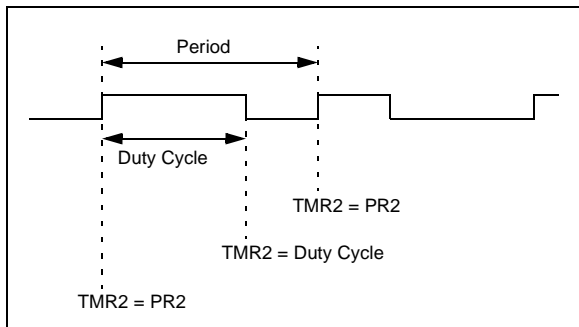
For a step-by-step procedure on how to set up the CCP module for PWM operation, see **Section 16.4.3 “Setup for PWM Operation”**.

**FIGURE 16-4: SIMPLIFIED PWM BLOCK DIAGRAM**



A PWM output (Figure 16-5) has a time base (period) and a time that the output stays high (duty cycle). The frequency of the PWM is the inverse of the period (1/period).

**FIGURE 16-5: PWM OUTPUT**



### 16.4.1 PWM PERIOD

The PWM period is specified by writing to the PR2 register. The PWM period can be calculated using the following formula:

**EQUATION 16-1:**

$$\text{PWM Period} = (\text{PR2} + 1) \cdot 4 \cdot \text{TOSC} \cdot (\text{TMR2 Prescale Value})$$

PWM frequency is defined as 1/[PWM period].

When TMR2 is equal to PR2, the following three events occur on the next increment cycle:

- TMR2 is cleared
- The CCP1 pin is set (exception: if PWM duty cycle = 0%, the CCP1 pin will not be set)
- The PWM duty cycle is latched from CCPR1L into CCPR1H

**Note:** The Timer2 and Timer4 postscalers (see **Section 13.0 “Timer2 Module”**) are not used in the determination of the PWM frequency. The postscaler could be used to have a servo update rate at a different frequency than the PWM output.

### 16.4.2 PWM DUTY CYCLE

The PWM duty cycle is specified by writing to the CCPR1L register and to the CCP1CON<5:4> bits. Up to 10-bit resolution is available. The CCPR1L contains the eight MSBs and the CCP1CON<5:4> contains the two LSBs. This 10-bit value is represented by CCPR1L:CCP1CON<5:4>. The following equation is used to calculate the PWM duty cycle in time:

**EQUATION 16-2:**

$$\text{PWM Duty Cycle} = (\text{CCPR1L:CCP1CON<5:4>}) \cdot \text{TOSC} \cdot (\text{TMR2 Prescale Value})$$

CCPR1L and CCP1CON<5:4> can be written to at any time, but the duty cycle value is not latched into CCPR1H until after a match between PR2 and TMR2 occurs (i.e., the period is complete). In PWM mode, CCPR1H is a read-only register.

The CCPR1H register and a 2-bit internal latch are used to double-buffer the PWM duty cycle. This doublebuffering is essential for glitchless PWM operation.

When the CCPR1H and 2-bit latch match TMR2, concatenated with an internal 2-bit Q clock or 2 bits of the TMR2 prescaler, the CCP1 pin is cleared.

# PIC18F6520/8520/6620/8620/6720/8720

The maximum PWM resolution (bits) for a given PWM frequency is given by the equation:

**EQUATION 16-3:**

$$\text{PWM Resolution (max)} = \frac{\log\left(\frac{F_{\text{OSC}}}{F_{\text{PWM}}}\right)}{\log(2)} \text{ bits}$$

**Note:** If the PWM duty cycle value is longer than the PWM period, the CCP1 pin will not be cleared.

## 16.4.3 SETUP FOR PWM OPERATION

The following steps should be taken when configuring the CCP module for PWM operation:

1. Set the PWM period by writing to the PR2 register.
2. Set the PWM duty cycle by writing to the CCPR1L register and CCP1CON<5:4> bits.
3. Make the CCP1 pin an output by clearing the TRISC<2> bit.
4. Set the TMR2 prescale value and enable Timer2 by writing to T2CON.
5. Configure the CCP1 module for PWM operation.

**TABLE 16-3: EXAMPLE PWM FREQUENCIES AND RESOLUTIONS AT 40 MHz**

| PWM Frequency              | 2.44 kHz | 9.77 kHz | 39.06 kHz | 156.25 kHz | 312.50 kHz | 416.67 kHz |
|----------------------------|----------|----------|-----------|------------|------------|------------|
| Timer Prescaler (1, 4, 16) | 16       | 4        | 1         | 1          | 1          | 1          |
| PR2 Value                  | FFh      | FFh      | FFh       | 3Fh        | 1Fh        | 17h        |
| Maximum Resolution (bits)  | 14 → 10  | 12 → 10  | 10        | 8          | 7          | 6.58       |

**TABLE 16-4: REGISTERS ASSOCIATED WITH PWM, TIMER2 AND TIMER4**

| Name                   | Bit 7                                | Bit 6     | Bit 5    | Bit 4    | Bit 3    | Bit 2   | Bit 1   | Bit 0   | Value on POR, BOR | Value on all other Resets |
|------------------------|--------------------------------------|-----------|----------|----------|----------|---------|---------|---------|-------------------|---------------------------|
| INTCON                 | GIE/GIEH                             | PEIE/GIEL | TMR0IE   | INT0IE   | RBIE     | TMR0IF  | INT0IF  | RBFIF   | 0000 0000         | 0000 0000                 |
| RCON                   | IPEN                                 | —         | —        | RI       | TO       | PD      | POR     | BOR     | 0--1 11qq         | 0--q qquu                 |
| PIR1                   | PSPIF                                | ADIF      | RCIF     | TXIF     | SSPIF    | CCP1IF  | TMR2IF  | TMR1IF  | 0000 0000         | 0000 0000                 |
| PIE1                   | PSPIE                                | ADIE      | RCIE     | TXIE     | SSPIE    | CCP1IE  | TMR2IE  | TMR1IE  | 0000 0000         | 0000 0000                 |
| IPR1                   | PSPIP                                | ADIP      | RCIP     | TXIP     | SSPIP    | CCP1IP  | TMR2IP  | TMR1IP  | 0111 1111         | 0111 1111                 |
| PIR2                   | —                                    | CMIE      | —        | EEIE     | BCLIF    | LVDIF   | TMR3IF  | CCP2IF  | -0-0 0000         | ---0 0000                 |
| PIE2                   | —                                    | CMIF      | —        | EEIF     | BCLIE    | LVDIE   | TMR3IE  | CCP2IE  | -0-0 0000         | ---0 0000                 |
| IPR2                   | —                                    | CMIP      | —        | EEIP     | BCLIP    | LVDIP   | TMR3IP  | CCP2IP  | -1-1 1111         | ---1 1111                 |
| PIR3                   | —                                    | —         | RC2IF    | TX2IF    | TMR4IF   | CCP5IF  | CCP4IF  | CCP3IF  | --00 0000         | --00 0000                 |
| PIE3                   | —                                    | —         | RC2IE    | TX2IE    | TMR4IE   | CCP5IE  | CCP4IE  | CCP3IE  | --00 0000         | --00 0000                 |
| IPR3                   | —                                    | —         | RC2IP    | TX2IP    | TMR4IP   | CCP5IP  | CCP4IP  | CCP3IP  | --11 1111         | --11 1111                 |
| TMR2                   | Timer2 Module Register               |           |          |          |          |         |         |         | 0000 0000         | 0000 0000                 |
| PR2                    | Timer2 Module Period Register        |           |          |          |          |         |         |         | 1111 1111         | 1111 1111                 |
| T2CON                  | —                                    | T2OUTPS3  | T2OUTPS2 | T2OUTPS1 | T2OUTPS0 | TMR2ON  | T2CKPS1 | T2CKPS0 | -000 0000         | -000 0000                 |
| T3CON                  | RD16                                 | T3CCP2    | T3CKPS1  | T3CKPS0  | T3CCP1   | T3SYNCR | TMR3CS  | TMR3ON  | 0000 0000         | uuuu uuuu                 |
| TMR4                   | Timer4 Register                      |           |          |          |          |         |         |         | 0000 0000         | uuuu uuuu                 |
| PR4                    | Timer4 Period Register               |           |          |          |          |         |         |         | 1111 1111         | uuuu uuuu                 |
| T4CON                  | —                                    | T4OUTPS3  | T4OUTPS2 | T4OUTPS1 | T4OUTPS0 | TMR4ON  | T4CKPS1 | T4CKPS0 | -000 0000         | uuuu uuuu                 |
| CCPRxL <sup>(1)</sup>  | Capture/Compare/PWM Register x (LSB) |           |          |          |          |         |         |         | xxxx xxxx         | uuuu uuuu                 |
| CCPRxH <sup>(1)</sup>  | Capture/Compare/PWM Register x (MSB) |           |          |          |          |         |         |         | xxxx xxxx         | uuuu uuuu                 |
| CCPxCON <sup>(1)</sup> | —                                    | —         | DCxB1    | DCxB0    | CCPxM3   | CCPxM2  | CCPxM1  | CCPxM0  | --00 0000         | --00 0000                 |

**Legend:** x = unknown, u = unchanged, — = unimplemented, read as '0'. Shaded cells are not used by PWM, Timer2, or Timer4.

**Note 1:** Generic term for all of the identical registers of this name for all CCP modules, where 'x' identifies the individual module (CCP1 through CCP5). Bit assignments and Reset values for all registers of the same generic name are identical.

# PIC18F6520/8520/6620/8620/6720/8720

---

NOTES:

# PIC18F6520/8520/6620/8620/6720/8720

## 17.0 MASTER SYNCHRONOUS SERIAL PORT (MSSP) MODULE

### 17.1 Master SSP (MSSP) Module Overview

The Master Synchronous Serial Port (MSSP) module is a serial interface, useful for communicating with other peripheral or microcontroller devices. These peripheral devices may be serial EEPROMs, shift registers, display drivers, A/D converters, etc. The MSSP module can operate in one of two modes:

- Serial Peripheral Interface (SPI)
- Inter-Integrated Circuit (I<sup>2</sup>C)
  - Full Master mode
  - Slave mode (with general address call)

The I<sup>2</sup>C interface supports the following modes in hardware:

- Master mode
- Multi-Master mode
- Slave mode

### 17.2 Control Registers

The MSSP module has three associated registers. These include a status register (SSPSTAT) and two control registers (SSPCON1 and SSPCON2). The use of these registers and their individual configuration bits differ significantly, depending on whether the MSSP module is operated in SPI or I<sup>2</sup>C mode.

Additional details are provided under the individual sections.

### 17.3 SPI Mode

The SPI mode allows 8 bits of data to be synchronously transmitted and received simultaneously. All four modes of SPI are supported. To accomplish communication, typically three pins are used:

- Serial Data Out (SDO) – RC5/SDO
- Serial Data In (SDI) – RC4/SDI/SDA
- Serial Clock (SCK) – RC3/SCK/SCL

Additionally, a fourth pin may be used when in a Slave mode of operation:

- Slave Select ( $\overline{SS}$ ) – RF7/ $\overline{SS}$

Figure 17-1 shows the block diagram of the MSSP module when operating in SPI mode.

**FIGURE 17-1: MSSP BLOCK DIAGRAM (SPI MODE)**



# PIC18F6520/8520/6620/8620/6720/8720

## 17.3.1 REGISTERS

The MSSP module has four registers for SPI mode operation. These are:

- MSSP Control Register 1 (SSPCON1)
- MSSP Status Register (SSPSTAT)
- Serial Receive/Transmit Buffer (SSPBUF)
- MSSP Shift Register (SSPSR) – Not directly accessible

SSPCON1 and SSPSTAT are the control and status registers in SPI mode operation. The SSPCON1 register is readable and writable. The lower 6 bits of the SSPSTAT are read-only. The upper two bits of the SSPSTAT are read/write.

SSPSR is the shift register used for shifting data in or out. SSPBUF is the buffer register to which data bytes are written to or read from.

In receive operations, SSPSR and SSPBUF together create a double-buffered receiver. When SSPSR receives a complete byte, it is transferred to SSPBUF and the SSPIF interrupt is set.

During transmission, the SSPBUF is not double-buffered. A write to SSPBUF will write to both SSPBUF and SSPSR.

### REGISTER 17-1: SSPSTAT: MSSP STATUS REGISTER (SPI MODE)

| R/W-0 | R/W-0 | R-0 | R-0 | R-0 | R-0 | R-0 | R-0   |
|-------|-------|-----|-----|-----|-----|-----|-------|
| SMP   | CKE   | D/A | P   | S   | R/W | UA  | BF    |
| bit 7 |       |     |     |     |     |     | bit 0 |

- bit 7 **SMP:** Sample bit  
SPI Master mode:  
 1 = Input data sampled at end of data output time  
 0 = Input data sampled at middle of data output time  
SPI Slave mode:  
 SMP must be cleared when SPI is used in Slave mode.
- bit 6 **CKE:** SPI Clock Select bit  
 1 = Transmit occurs on transition from active to Idle clock state  
 0 = Transmit occurs on transition from Idle to active clock state  
**Note:** Polarity of clock state is set by the CKP bit (SSPCON1<4>).
- bit 5 **D/A:** Data/Address bit  
 Used in I<sup>2</sup>C mode only.
- bit 4 **P:** Stop bit  
 Used in I<sup>2</sup>C mode only. This bit is cleared when the MSSP module is disabled, SSPEN is cleared.
- bit 3 **S:** Start bit  
 Used in I<sup>2</sup>C mode only.
- bit 2 **R/W:** Read/Write bit information  
 Used in I<sup>2</sup>C mode only.
- bit 1 **UA:** Update Address bit  
 Used in I<sup>2</sup>C mode only.
- bit 0 **BF:** Buffer Full Status bit (Receive mode only)  
 1 = Receive complete, SSPBUF is full  
 0 = Receive not complete, SSPBUF is empty

| Legend:            |                  |                                    |                    |
|--------------------|------------------|------------------------------------|--------------------|
| R = Readable bit   | W = Writable bit | U = Unimplemented bit, read as '0' |                    |
| - n = Value at POR | '1' = Bit is set | '0' = Bit is cleared               | x = Bit is unknown |

# PIC18F6520/8520/6620/8620/6720/8720

## REGISTER 17-2: SSPCON1: MSSP CONTROL REGISTER1 (SPI MODE)

| R/W-0 | R/W-0 | R/W-0 | R/W-0 | R/W-0 | R/W-0 | R/W-0 | R/W-0 |
|-------|-------|-------|-------|-------|-------|-------|-------|
| WCOL  | SSPOV | SSPEN | CKP   | SSPM3 | SSPM2 | SSPM1 | SSPM0 |
| bit 7 |       |       |       |       |       |       | bit 0 |

bit 7 **WCOL:** Write Collision Detect bit (Transmit mode only)

- 1 = The SSPBUF register is written while it is still transmitting the previous word (must be cleared in software)
- 0 = No collision

bit 6 **SSPOV:** Receive Overflow Indicator bit

SPI Slave mode:

- 1 = A new byte is received while the SSPBUF register is still holding the previous data. In case of overflow, the data in SSPSR is lost. Overflow can only occur in Slave mode. The user must read the SSPBUF, even if only transmitting data, to avoid setting overflow (must be cleared in software).
- 0 = No overflow

**Note:** In Master mode, the overflow bit is not set, since each new reception (and transmission) is initiated by writing to the SSPBUF register.

bit 5 **SSPEN:** Synchronous Serial Port Enable bit

- 1 = Enables serial port and configures SCK, SDO, SDI and  $\overline{SS}$  as serial port pins
- 0 = Disables serial port and configures these pins as I/O port pins

**Note:** When enabled, these pins must be properly configured as input or output.

bit 4 **CKP:** Clock Polarity Select bit

- 1 = Idle state for clock is a high level
- 0 = Idle state for clock is a low level

bit 3-0 **SSPM3:SSPM0:** Synchronous Serial Port Mode Select bits

- 0101 = SPI Slave mode, clock = SCK pin,  $\overline{SS}$  pin control disabled,  $\overline{SS}$  can be used as I/O pin
- 0100 = SPI Slave mode, clock = SCK pin,  $\overline{SS}$  pin control enabled
- 0011 = SPI Master mode, clock = TMR2 output/2
- 0010 = SPI Master mode, clock = Fosc/64
- 0001 = SPI Master mode, clock = Fosc/16
- 0000 = SPI Master mode, clock = Fosc/4

**Note:** Bit combinations not specifically listed here are either reserved, or implemented in I<sup>2</sup>C mode only.

**Legend:**

|                    |                  |  |
|--------------------|------------------|--|
| R = Readable bit   | W = Writable bit | U = Unimplemented bit, read as '0'           |
| - n = Value at POR | '1' = Bit is set | '0' = Bit is cleared      x = Bit is unknown |

# PIC18F6520/8520/6620/8620/6720/8720

## 17.3.2 OPERATION

When initializing the SPI, several options need to be specified. This is done by programming the appropriate control bits (SSPCON1<5:0> and SSPSTAT<7:6>). These control bits allow the following to be specified:

- Master mode (SCK is the clock output)
- Slave mode (SCK is the clock input)
- Clock Polarity (Idle state of SCK)
- Data input sample phase (middle or end of data output time)
- Clock edge (output data on rising/falling edge of SCK)
- Clock Rate (Master mode only)
- Slave Select mode (Slave mode only)

The MSSP consists of a Transmit/Receive Shift Register (SSPSR) and a Buffer register (SSPBUF). The SSPSR shifts the data in and out of the device, MSb first. The SSPBUF holds the data that was written to the SSPSR until the received data is ready. Once the 8 bits of data have been received, that byte is moved to the SSPBUF register. Then, the Buffer Full detect bit, BF (SSPSTAT<0>) and the interrupt flag bit, SSPIF, are set. This double-buffering of the received data (SSPBUF) allows the next byte to start reception before

reading the data that was just received. Any write to the SSPBUF register during transmission/reception of data will be ignored and the Write Collision detect bit, WCOL (SSPCON1<7>), will be set. User software must clear the WCOL bit so that it can be determined if the following write(s) to the SSPBUF register completed successfully.

When the application software is expecting to receive valid data, the SSPBUF should be read before the next byte of data to transfer is written to the SSPBUF. Buffer Full bit, BF (SSPSTAT<0>), indicates when SSPBUF has been loaded with the received data (transmission is complete). When the SSPBUF is read, the BF bit is cleared. This data may be irrelevant if the SPI is only a transmitter. Generally, the MSSP interrupt is used to determine when the transmission/reception has completed. The SSPBUF must be read and/or written. If the interrupt method is not going to be used, then software polling can be done to ensure that a write collision does not occur. Example 17-1 shows the loading of the SSPBUF (SSPSR) for data transmission.

The SSPSR is not directly readable or writable and can only be accessed by addressing the SSPBUF register. Additionally, the MSSP Status register (SSPSTAT) indicates the various status conditions.

### EQUATION 17-1: LOADING THE SSPBUF (SSPSR) REGISTER

```
LOOP BTFSS SSPSTAT, BF ;Has data been received (transmit complete)?
    BRA LOOP ;No
    MOVF SSPBUF, W ;WREG reg = contents of SSPBUF
    MOVWF RXDATA ;Save in user RAM, if data is meaningful
    MOVF TXDATA, W ;W reg = contents of TXDATA
    MOVWF SSPBUF ;New data to transmit
```



# PIC18F6520/8520/6620/8620/6720/8720

## 17.3.3 ENABLING SPI I/O

To enable the serial port, SSP Enable bit, SSPEN (SSPCON1<5>), must be set. To reset or reconfigure SPI mode, clear the SSPEN bit, reinitialize the SSPCON registers and then set the SSPEN bit. This configures the SDI, SDO, SCK and  $\overline{SS}$  pins as serial port pins. For the pins to behave as the serial port function, some must have their data direction bits (in the TRIS register) appropriately programmed as follows:

- SDI is automatically controlled by the SPI module
- SDO must have TRISC<5> bit cleared
- SCK (Master mode) must have TRISC<3> bit cleared
- SCK (Slave mode) must have TRISC<3> bit set
- $\overline{SS}$  must have TRISF<7> bit set

Any serial port function that is not desired may be overridden by programming the corresponding data direction (TRIS) register to the opposite value.

## 17.3.4 TYPICAL CONNECTION

Figure 17-2 shows a typical connection between two microcontrollers. The master controller (Processor 1) initiates the data transfer by sending the SCK signal. Data is shifted out of both shift registers on their programmed clock edge and latched on the opposite edge of the clock. Both processors should be programmed to the same Clock Polarity (CKP), then both controllers would send and receive data at the same time. Whether the data is meaningful (or dummy data) depends on the application software. This leads to three scenarios for data transmission:

- Master sends data – Slave sends dummy data
- Master sends data – Slave sends data
- Master sends dummy data – Slave sends data

**FIGURE 17-2: SPI MASTER/SLAVE CONNECTION**



# PIC18F6520/8520/6620/8620/6720/8720

## 17.3.5 MASTER MODE

The master can initiate the data transfer at any time because it controls the SCK. The master determines when the slave (Processor 2, Figure 17-2) is to broadcast data by the software protocol.

In Master mode, the data is transmitted/received as soon as the SSPBUF register is written to. If the SPI is only going to receive, the SDO output could be disabled (programmed as an input). The SSPSR register will continue to shift in the signal present on the SDI pin at the programmed clock rate. As each byte is received, it will be loaded into the SSPBUF register as if a normal received byte (interrupts and status bits appropriately set). This could be useful in receiver applications as a "Line Activity Monitor" mode.

The clock polarity is selected by appropriately programming the CKP bit (SSPCON1<4>). This then, would give waveforms for SPI communication, as shown in

Figure 17-3, Figure 17-5 and Figure 17-6, where the MSB is transmitted first. In Master mode, the SPI clock rate (bit rate) is user-programmable to be one of the following:

- $F_{OSC}/4$  (or  $T_{CY}$ )
- $F_{OSC}/16$  (or  $4 \cdot T_{CY}$ )
- $F_{OSC}/64$  (or  $16 \cdot T_{CY}$ )
- $\text{Timer2 output}/2$

This allows a maximum data rate (at 40 MHz) of 10.00 Mbps.

Figure 17-3 shows the waveforms for Master mode. When the CKE bit is set, the SDO data is valid before there is a clock edge on SCK. The change of the input sample is shown based on the state of the SMP bit. The time when the SSPBUF is loaded with the received data is shown.

**FIGURE 17-3: SPI MODE WAVEFORM (MASTER MODE)**



# PIC18F6520/8520/6620/8620/6720/8720

## 17.3.6 SLAVE MODE

In Slave mode, the data is transmitted and received as the external clock pulses appear on SCK. When the last bit is latched, the SSPIF interrupt flag bit is set.

While in Slave mode, the external clock is supplied by the external clock source on the SCK pin. This external clock must meet the minimum high and low times as specified in the electrical specifications.

While in Sleep mode, the slave can transmit/receive data. When a byte is received, the device will wake-up from Sleep.

## 17.3.7 SLAVE SELECT SYNCHRONIZATION

The  $\overline{SS}$  pin allows a Synchronous Slave mode. The SPI must be in Slave mode with  $\overline{SS}$  pin control enabled ( $SSPCON1\langle 3:0 \rangle = 04h$ ). The pin must not be driven low for the  $\overline{SS}$  pin to function as an input. The Data Latch must be high. When the  $\overline{SS}$  pin is low, transmission and reception are enabled and the SDO pin is driven. When the  $\overline{SS}$  pin goes high, the SDO pin is no

longer driven, even if in the middle of a transmitted byte and becomes a floating output. External pull-up/pull-down resistors may be desirable, depending on the application.

- Note 1:** When the SPI is in Slave mode with  $\overline{SS}$  pin control enabled ( $SSPCON\langle 3:0 \rangle = 0100$ ), the SPI module will reset if the  $\overline{SS}$  pin is set to VDD.
- 2:** If the SPI is used in Slave mode with CKE set, then the  $\overline{SS}$  pin control must be enabled.

When the SPI module resets, the bit counter is forced to '0'. This can be done by either forcing the  $\overline{SS}$  pin to a high level or clearing the SSPEN bit.

To emulate two-wire communication, the SDO pin can be connected to the SDI pin. When the SPI needs to operate as a receiver, the SDO pin can be configured as an input. This disables transmissions from the SDO. The SDI can always be left as an input (SDI function), since it cannot create a bus conflict.

**FIGURE 17-4: SLAVE SYNCHRONIZATION WAVEFORM**

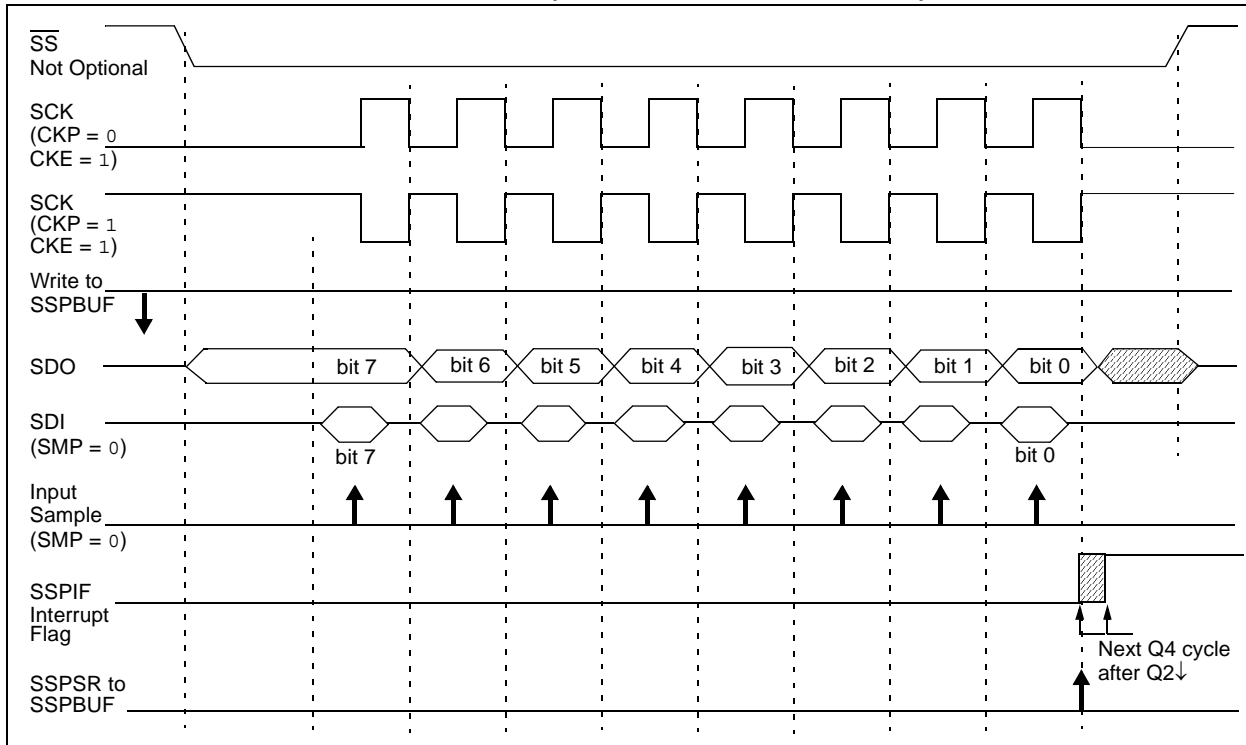


# PIC18F6520/8520/6620/8620/6720/8720

**FIGURE 17-5: SPI MODE WAVEFORM (SLAVE MODE WITH CKE = 0)**



**FIGURE 17-6: SPI MODE WAVEFORM (SLAVE MODE WITH CKE = 1)**



# PIC18F6520/8520/6620/8620/6720/8720

## 17.3.8 SLEEP OPERATION

In Master mode, all module clocks are halted and the transmission/reception will remain in that state until the device wakes from Sleep. After the device returns to normal mode, the module will continue to transmit/receive data.

In Slave mode, the SPI Transmit/Receive Shift register operates asynchronously to the device. This allows the device to be placed in Sleep mode and data to be shifted into the SPI Transmit/Receive Shift register. When all 8 bits have been received, the MSSP interrupt flag bit will be set and if enabled, will wake the device from Sleep.

## 17.3.9 EFFECTS OF A RESET

A Reset disables the MSSP module and terminates the current transfer.

## 17.3.10 BUS MODE COMPATIBILITY

Table 17-1 shows the compatibility between the standard SPI modes and the states of the CKP and CKE control bits.

**TABLE 17-1: SPI BUS MODES**

| Standard SPI Mode Terminology | Control Bits State |     |
|-------------------------------|--------------------|-----|
|                               | CKP                | CKE |
| 0, 0                          | 0                  | 1   |
| 0, 1                          | 0                  | 0   |
| 1, 0                          | 1                  | 1   |
| 1, 1                          | 1                  | 0   |

There is also an SMP bit, which controls when the data is sampled.

**TABLE 17-2: REGISTERS ASSOCIATED WITH SPI OPERATION**

| Name    | Bit 7  | Bit 6     | Bit 5  | Bit 4  | Bit 3  | Bit 2  | Bit 1  | Bit 0  | Value on POR, BOR | Value on all other Resets |
|---------|--|-----------|--------|--------|--------|--------|--------|--------|-------------------|---------------------------|
| INTCON  | GIE/GIEH   | PEIE/GIEL | TMR0IE | INT0IE | RBIE   | TMR0IF | INT0IF | RBIF   | 0000 0000         | 0000 0000                 |
| PIR1    | PSPIF  | ADIF      | RCIF   | TXIF   | SSPIF  | CCP1IF | TMR2IF | TMR1IF | 0000 0000         | 0000 0000                 |
| PIE1    | PSPIE  | ADIE      | RCIE   | TXIE   | SSPIE  | CCP1IE | TMR2IE | TMR1IE | 0000 0000         | 0000 0000                 |
| IPR1    | PSPIP  | ADIP      | RCIP   | TXIP   | SSPIP  | CCP1IP | TMR2IP | TMR1IP | 0111 1111         | 0111 1111                 |
| TRISC   | PORTC Data Direction Register                            |           |        |        |        |        |        |        | 1111 1111         | 1111 1111                 |
| TRISF   | TRISF7   | TRISF6    | TRISF5 | TRISF4 | TRISF3 | TRISF2 | TRISF1 | TRISF0 | 1111 1111         | uuuu uuuu                 |
| SSPBUF  | Synchronous Serial Port Receive Buffer/Transmit Register |           |        |        |        |        |        |        | xxxx xxxx         | uuuu uuuu                 |
| SSPCON  | WCOL   | SSPOV     | SSPEN  | CKP    | SSPM3  | SSPM2  | SSPM1  | SSPM0  | 0000 0000         | 0000 0000                 |
| SSPSTAT | SMP  | CKE       | D/Ā    | P      | S      | R/W    | UA     | BF     | 0000 0000         | 0000 0000                 |

**Legend:** x = unknown, u = unchanged, - = unimplemented, read as '0'. Shaded cells are not used by the MSSP in SPI mode.

# PIC18F6520/8520/6620/8620/6720/8720

## 17.4 I<sup>2</sup>C Mode

The MSSP module in I<sup>2</sup>C mode fully implements all master and slave functions (including general call support) and provides interrupts on Start and Stop bits in hardware to determine a free bus (multi-master function). The MSSP module implements the standard mode specifications, as well as 7-bit and 10-bit addressing.

Two pins are used for data transfer:

- Serial clock (SCL) – RC3/SCK/SCL
- Serial data (SDA) – RC4/SDI/SDA

The user must configure these pins as inputs or outputs through the TRISC<4:3> bits.

**FIGURE 17-7: MSSP BLOCK DIAGRAM (I<sup>2</sup>C MODE)**



### 17.4.1 REGISTERS

The MSSP module has six registers for I<sup>2</sup>C operation. These are:

- MSSP Control Register 1 (SSPCON1)
- MSSP Control Register 2 (SSPCON2)
- MSSP Status Register (SSPSTAT)
- Serial Receive/Transmit Buffer (SSPBUF)
- MSSP Shift Register (SSPSR) – Not directly accessible
- MSSP Address Register (SSPADD)

SSPCON, SSPCON2 and SSPSTAT are the control and status registers in I<sup>2</sup>C mode operation. The SSPCON and SSPCON2 registers are readable and writable. The lower six bits of the SSPSTAT are read-only. The upper two bits of the SSPSTAT are read/write.

SSPSR is the shift register used for shifting data in or out. SSPBUF is the buffer register to which data bytes are written to or read from.

SSPADD register holds the slave device address when the SSP is configured in I<sup>2</sup>C Slave mode. When the SSP is configured in Master mode, the lower seven bits of SSPADD act as the Baud Rate Generator reload value.

In receive operations, SSPSR and SSPBUF together, create a double-buffered receiver. When SSPSR receives a complete byte, it is transferred to SSPBUF and the SSPIF interrupt is set.

During transmission, the SSPBUF is not double-buffered. A write to SSPBUF will write to both SSPBUF and SSPSR.

# PIC18F6520/8520/6620/8620/6720/8720

## REGISTER 17-3: SSPSTAT: MSSP STATUS REGISTER (I<sup>2</sup>C MODE)

|       |       |     |     |     |     |       |     |
|-------|-------|-----|-----|-----|-----|-------|-----|
| R/W-0 | R/W-0 | R-0 | R-0 | R-0 | R-0 | R-0   | R-0 |
| SMP   | CKE   | D/A | P   | S   | R/W | UA    | BF  |
| bit 7 |       |     |     |     |     | bit 0 |     |

bit 7 **SMP:** Slew Rate Control bit

In Master or Slave mode:

1 = Slew rate control disabled for standard speed mode (100 kHz and 1 MHz)

0 = Slew rate control enabled for high-speed mode (400 kHz)

bit 6 **CKE:** SMBus Select bit

In Master or Slave mode:

1 = Enable SMBus specific inputs

0 = Disable SMBus specific inputs

bit 5 **D/A:** Data/Address bit

In Master mode:

Reserved.

In Slave mode:

1 = Indicates that the last byte received or transmitted was data

0 = Indicates that the last byte received or transmitted was address

bit 4 **P:** Stop bit

1 = Indicates that a Stop bit has been detected last

0 = Stop bit was not detected last

**Note:** This bit is cleared on Reset and when SSPEN is cleared.

bit 3 **S:** Start bit

1 = Indicates that a Start bit has been detected last

0 = Start bit was not detected last

**Note:** This bit is cleared on Reset and when SSPEN is cleared.

bit 2 **R/W:** Read/Write bit Information (I<sup>2</sup>C mode only)

In Slave mode:

1 = Read

0 = Write

**Note:** This bit holds the R/W bit information following the last address match. This bit is only valid from the address match to the next Start bit, Stop bit, or not ACK bit.

In Master mode:

1 = Transmit is in progress

0 = Transmit is not in progress

**Note:** ORing this bit with SEN, RSEN, PEN, RCEN or ACKEN will indicate if the MSSP is in active mode.

bit 1 **UA:** Update Address bit (10-bit Slave mode only)

1 = Indicates that the user needs to update the address in the SSPADD register

0 = Address does not need to be updated

bit 0 **BF:** Buffer Full Status bit

In Transmit mode:

1 = SSPBUF is full

0 = SSPBUF is empty

In Receive mode:

1 = SSPBUF is full (does not include the ACK and Stop bits)

0 = SSPBUF is empty (does not include the ACK and Stop bits)

### Legend:

R = Readable bit

W = Writable bit

U = Unimplemented bit, read as '0'

- n = Value at POR

'1' = Bit is set

'0' = Bit is cleared

x = Bit is unknown

# PIC18F6520/8520/6620/8620/6720/8720

## REGISTER 17-4: SSPCON1: MSSP CONTROL REGISTER 1 (I<sup>2</sup>C MODE)

| R/W-0 | R/W-0 | R/W-0 | R/W-0 | R/W-0 | R/W-0 | R/W-0 | R/W-0 |
|-------|-------|-------|-------|-------|-------|-------|-------|
| WCOL  | SSPOV | SSPEN | CKP   | SSPM3 | SSPM2 | SSPM1 | SSPM0 |

bit 7

bit 0

bit 7 **WCOL:** Write Collision Detect bit

In Master Transmit mode:

1 = A write to the SSPBUF register was attempted while the I<sup>2</sup>C conditions were not valid for a transmission to be started (must be cleared in software)

0 = No collision

In Slave Transmit mode:

1 = The SSPBUF register is written while it is still transmitting the previous word (must be cleared in software)

0 = No collision

In Receive mode (Master or Slave modes):

This is a “don’t care” bit.

bit 6 **SSPOV:** Receive Overflow Indicator bit

In Receive mode:

1 = A byte is received while the SSPBUF register is still holding the previous byte (must be cleared in software)

0 = No overflow

In Transmit mode:

This is a “don’t care” bit in Transmit mode.

bit 5 **SSPEN:** Synchronous Serial Port Enable bit

1 = Enables the serial port and configures the SDA and SCL pins as the serial port pins

0 = Disables serial port and configures these pins as I/O port pins

**Note:** When enabled, the SDA and SCL pins must be properly configured as input or output.

bit 4 **CKP:** SCK Release Control bit

In Slave mode:

1 = Release clock

0 = Holds clock low (clock stretch), used to ensure data setup time

In Master mode:

Unused in this mode.

bit 3-0 **SSPM3:SSPM0:** Synchronous Serial Port Mode Select bits

1111 = I<sup>2</sup>C Slave mode, 10-bit address with Start and Stop bit interrupts enabled

1110 = I<sup>2</sup>C Slave mode, 7-bit address with Start and Stop bit interrupts enabled

1011 = I<sup>2</sup>C Firmware Controlled Master mode (Slave Idle)

1000 = I<sup>2</sup>C Master mode, clock = FOSC/(4 \* (SSPADD + 1))

0111 = I<sup>2</sup>C Slave mode, 10-bit address

0110 = I<sup>2</sup>C Slave mode, 7-bit address

**Note:** Bit combinations not specifically listed here are either reserved or implemented in SPI mode only.

**Legend:**

R = Readable bit

W = Writable bit

U = Unimplemented bit, read as ‘0’

- n = Value at POR

‘1’ = Bit is set

‘0’ = Bit is cleared

x = Bit is unknown



# PIC18F6520/8520/6620/8620/6720/8720

## REGISTER 17-5: SSPCON2: MSSP CONTROL REGISTER 2 (I<sup>2</sup>C MODE)

| R/W-0 | R/W-0   | R/W-0 | R/W-0 | R/W-0 | R/W-0 | R/W-0 | R/W-0 |
|-------|---------|-------|-------|-------|-------|-------|-------|
| GCEN  | ACKSTAT | ACKDT | ACKEN | RCEN  | PEN   | RSEN  | SEN   |
| bit 7 |         |       |       |       |       |       | bit 0 |

- bit 7 **GCEN:** General Call Enable bit (Slave mode only)  
 1 = Enable interrupt when a general call address (0000h) is received in the SSPSR  
 0 = General call address disabled
- bit 6 **ACKSTAT:** Acknowledge Status bit (Master Transmit mode only)  
 1 = Acknowledge was not received from slave  
 0 = Acknowledge was received from slave
- bit 5 **ACKDT:** Acknowledged Data bit (Master Receive mode only)  
 1 = Not Acknowledge  
 0 = Acknowledge
- Note:** Value that will be transmitted when the user initiates an Acknowledge sequence at the end of a receive.
- bit 4 **ACKEN:** Acknowledge Sequence Enable bit (Master Receive mode only)  
 1 = Initiate Acknowledge sequence on SDA and SCL pins and transmit ACKDT data bit. Automatically cleared by hardware.  
 0 = Acknowledge sequence Idle
- bit 3 **RCEN:** Receive Enable bit (Master mode only)  
 1 = Enables Receive mode for I<sup>2</sup>C  
 0 = Receive Idle
- bit 2 **PEN:** Stop Condition Enable bit (Master mode only)  
 1 = Initiate Stop condition on SDA and SCL pins. Automatically cleared by hardware.  
 0 = Stop condition Idle
- bit 1 **RSEN:** Repeated Start Condition Enabled bit (Master mode only)  
 1 = Initiate Repeated Start condition on SDA and SCL pins. Automatically cleared by hardware.  
 0 = Repeated Start condition Idle
- bit 0 **SEN:** Start Condition Enabled/Stretch Enabled bit
- In Master mode:  
 1 = Initiate Start condition on SDA and SCL pins. Automatically cleared by hardware.  
 0 = Start condition Idle
- In Slave mode:  
 1 = Clock stretching is enabled for both Slave Transmit and Slave Receive (stretch enabled)  
 0 = Clock stretching is disabled

**Note:** For bits ACKEN, RCEN, PEN, RSEN, SEN: If the I<sup>2</sup>C module is not in the Idle mode, this bit may not be set (no spooling) and the SSPBUF may not be written (or writes to the SSPBUF are disabled).

### Legend:

R = Readable bit                      W = Writable bit                      U = Unimplemented bit, read as '0'  
 - n = Value at POR                      '1' = Bit is set                      '0' = Bit is cleared                      x = Bit is unknown

# PIC18F6520/8520/6620/8620/6720/8720

## 17.4.2 OPERATION

The MSSP module functions are enabled by setting MSSP Enable bit, SSPEN (SSPCON<5>).

The SSPCON1 register allows control of the I<sup>2</sup>C operation. Four mode selection bits (SSPCON<3:0>) allow one of the following I<sup>2</sup>C modes to be selected:

- I<sup>2</sup>C Master mode, clock = (Fosc/4) x (SSPADD + 1)
- I<sup>2</sup>C Slave mode (7-bit address)
- I<sup>2</sup>C Slave mode (10-bit address)
- I<sup>2</sup>C Slave mode (7-bit address), with Start and Stop bit interrupts enabled
- I<sup>2</sup>C Slave mode (10-bit address), with Start and Stop bit interrupts enabled
- I<sup>2</sup>C Firmware Controlled Master mode, slave is Idle

Selection of any I<sup>2</sup>C mode, with the SSPEN bit set, forces the SCL and SDA pins to be open-drain, provided these pins are programmed to inputs by setting the appropriate TRISC bits. To ensure proper operation of the module, pull-up resistors must be provided externally to the SCL and SDA pins.

## 17.4.3 SLAVE MODE

In Slave mode, the SCL and SDA pins must be configured as inputs (TRISC<4:3> set). The MSSP module will override the input state with the output data when required (slave-transmitter).

The I<sup>2</sup>C Slave mode hardware will always generate an interrupt on an address match. Through the mode select bits, the user can also choose to interrupt on Start and Stop bits

When an address is matched or the data transfer after an address match is received, the hardware automatically will generate the Acknowledge ( $\overline{ACK}$ ) pulse and load the SSPBUF register with the received value currently in the SSPSR register.

Any combination of the following conditions will cause the MSSP module not to give this  $\overline{ACK}$  pulse:

- The Buffer Full bit BF (SSPSTAT<0>) was set before the transfer was received.
- The overflow bit SSPOV (SSPCON<6>) was set before the transfer was received.

In this case, the SSPSR register value is not loaded into the SSPBUF, but bit SSPIF (PIR1<3>) is set. The BF bit is cleared by reading the SSPBUF register, while bit SSPOV is cleared through software.

The SCL clock input must have a minimum high and low for proper operation. The high and low times of the I<sup>2</sup>C specification, as well as the requirement of the MSSP module, are shown in timing parameter #100 and parameter #101.

## 17.4.3.1 Addressing

Once the MSSP module has been enabled, it waits for a Start condition to occur. Following the Start condition, the 8 bits are shifted into the SSPSR register. All incoming bits are sampled with the rising edge of the clock (SCL) line. The value of register SSPSR<7:1> is compared to the value of the SSPADD register. The address is compared on the falling edge of the eighth clock (SCL) pulse. If the addresses match and the BF and SSPOV bits are clear, the following events occur:

1. The SSPSR register value is loaded into the SSPBUF register.
2. The Buffer Full bit BF is set.
3. An  $\overline{ACK}$  pulse is generated.
4. MSSP Interrupt Flag bit, SSPIF (PIR1<3>), is set (interrupt is generated, if enabled) on the falling edge of the ninth SCL pulse.

In 10-bit Address mode, two address bytes need to be received by the slave. The five Most Significant bits (MSBs) of the first address byte specify if this is a 10-bit address. Bit R/W (SSPSTAT<2>) must specify a write so the slave device will receive the second address byte. For a 10-bit address, the first byte would equal '11110 A9 A8 0', where 'A9' and 'A8' are the two MSBs of the address. The sequence of events for 10-bit address is as follows, with steps 7 through 9 for the slave-transmitter:

1. Receive first (high) byte of address (bits SSPIF, BF and bit UA (SSPSTAT<1>) are set).
2. Update the SSPADD register with second (low) byte of address (clears bit UA and releases the SCL line).
3. Read the SSPBUF register (clears bit BF) and clear flag bit SSPIF.
4. Receive second (low) byte of address (bits SSPIF, BF and UA are set).
5. Update the SSPADD register with the first (high) byte of address. If match releases SCL line, this will clear bit UA.
6. Read the SSPBUF register (clears bit BF) and clear flag bit SSPIF.
7. Receive Repeated Start condition.
8. Receive first (high) byte of address (bits SSPIF and BF are set).
9. Read the SSPBUF register (clears bit BF) and clear flag bit SSPIF.

# PIC18F6520/8520/6620/8620/6720/8720

---

## 17.4.3.2 Reception

When the  $\overline{R/W}$  bit of the address byte is clear and an address match occurs, the  $\overline{R/W}$  bit of the SSPSTAT register is cleared. The received address is loaded into the SSPBUF register and the SDA line is held low ( $\overline{ACK}$ ).

When the address byte overflow condition exists, then the no Acknowledge ( $\overline{ACK}$ ) pulse is given. An overflow condition is defined as either bit BF (SSPSTAT<0>) is set, or bit SSPOV (SSPCON1<6>) is set.

An MSSP interrupt is generated for each data transfer byte. Flag bit SSPIF (PIR1<3>) must be cleared in software. The SSPSTAT register is used to determine the status of the byte.

If SEN is enabled (SSPCON1<0> = 1), RC3/SCK/SCL will be held low (clock stretch) following each data transfer. The clock must be released by setting bit CKP (SSPCON<4>). See **Section 17.4.4 “Clock Stretching”** for more detail.

## 17.4.3.3 Transmission

When the  $\overline{R/W}$  bit of the incoming address byte is set and an address match occurs, the  $\overline{R/W}$  bit of the SSPSTAT register is set. The received address is loaded into the SSPBUF register. The  $\overline{ACK}$  pulse will be sent on the ninth bit and pin RC3/SCK/SCL is held low, regardless of SEN (see **Section 17.4.4 “Clock Stretching”**, for more detail). By stretching the clock, the master will be unable to assert another clock pulse until the slave is done preparing the transmit data. The transmit data must be loaded into the SSPBUF register, which also loads the SSPSR register. Then pin RC3/SCK/SCL should be enabled by setting bit CKP (SSPCON1<4>). The eight data bits are shifted out on the falling edge of the SCL input. This ensures that the SDA signal is valid during the SCL high time (Figure 17-9).

The  $\overline{ACK}$  pulse from the master-receiver is latched on the rising edge of the ninth SCL input pulse. If the SDA line is high (not  $\overline{ACK}$ ), then the data transfer is complete. In this case, when the  $\overline{ACK}$  is latched by the slave, the slave logic is reset (resets SSPSTAT register) and the slave monitors for another occurrence of the Start bit. If the SDA line was low ( $\overline{ACK}$ ), the next transmit data must be loaded into the SSPBUF register. Again, pin RC3/SCK/SCL must be enabled by setting bit CKP.

An MSSP interrupt is generated for each data transfer byte. The SSPIF bit must be cleared in software and the SSPSTAT register is used to determine the status of the byte. The SSPIF bit is set on the falling edge of the ninth clock pulse.

# PIC18F6520/8520/6620/8620/6720/8720

FIGURE 17-8: I<sup>2</sup>C SLAVE MODE TIMING WITH SEN = 0 (RECEPTION, 7-BIT ADDRESS)



# PIC18F6520/8520/6620/8620/6720/8720

FIGURE 17-9: I<sup>2</sup>C SLAVE MODE TIMING (TRANSMISSION, 7-BIT ADDRESS)



# PIC18F6520/8520/6620/8620/6720/8720

FIGURE 17-10: I<sup>2</sup>C SLAVE MODE TIMING WITH SEN = 0 (RECEPTION, 10-BIT ADDRESS)



# PIC18F6520/8520/6620/8620/6720/8720

FIGURE 17-11: I<sup>2</sup>C SLAVE MODE TIMING (TRANSMISSION, 10-BIT ADDRESS)



# PIC18F6520/8520/6620/8620/6720/8720

## 17.4.4 CLOCK STRETCHING

Both 7- and 10-bit Slave modes implement automatic clock stretching during a transmit sequence.

The SEN bit (SSPCON2<0>) allows clock stretching to be enabled during receives. Setting SEN will cause the SCL pin to be held low at the end of each data receive sequence.

### 17.4.4.1 Clock Stretching for 7-bit Slave Receive Mode (SEN = 1)

In 7-bit Slave Receive mode, on the falling edge of the ninth clock at the end of the ACK sequence, if the BF bit is set, the CKP bit in the SSPCON1 register is automatically cleared, forcing the SCL output to be held low. The CKP being cleared to '0' will assert the SCL line low. The CKP bit must be set in the user's ISR before reception is allowed to continue. By holding the SCL line low, the user has time to service the ISR and read the contents of the SSPBUF before the master device can initiate another receive sequence. This will prevent buffer overruns from occurring (see Figure 17-13).

**Note 1:** If the user reads the contents of the SSPBUF before the falling edge of the ninth clock, thus clearing the BF bit, the CKP bit will not be cleared and clock stretching will not occur.

**2:** The CKP bit can be set in software, regardless of the state of the BF bit. The user should be careful to clear the BF bit in the ISR before the next receive sequence, in order to prevent an overflow condition.

### 17.4.4.2 Clock Stretching for 10-bit Slave Receive Mode (SEN = 1)

In 10-bit Slave Receive mode, during the address sequence, clock stretching automatically takes place but CKP is not cleared. During this time, if the UA bit is set after the ninth clock, clock stretching is initiated. The UA bit is set after receiving the upper byte of the 10-bit address and following the receive of the second byte of the 10-bit address with the R/W bit cleared to '0'. The release of the clock line occurs upon updating SSPADD. Clock stretching will occur on each data receive sequence, as described in 7-bit mode.

**Note:** If the user polls the UA bit and clears it by updating the SSPADD register before the falling edge of the ninth clock occurs and if the user hasn't cleared the BF bit by reading the SSPBUF register before that time, then the CKP bit will still NOT be asserted low. Clock stretching on the basis of the state of the BF bit only occurs during a data sequence, not an address sequence.

### 17.4.4.3 Clock Stretching for 7-bit Slave Transmit Mode

7-bit Slave Transmit mode implements clock stretching by clearing the CKP bit after the falling edge of the ninth clock, if the BF bit is clear. This occurs, regardless of the state of the SEN bit.

The user's ISR must set the CKP bit before transmission is allowed to continue. By holding the SCL line low, the user has time to service the ISR and load the contents of the SSPBUF before the master device can initiate another transmit sequence (see Figure 17-9).

**Note 1:** If the user loads the contents of SSPBUF, setting the BF bit before the falling edge of the ninth clock, the CKP bit will not be cleared and clock stretching will not occur.

**2:** The CKP bit can be set in software, regardless of the state of the BF bit.

### 17.4.4.4 Clock Stretching for 10-bit Slave Transmit Mode

In 10-bit Slave Transmit mode, clock stretching is controlled during the first two address sequences by the state of the UA bit, just as it is in 10-bit Slave Receive mode. The first two addresses are followed by a third address sequence, which contains the high-order bits of the 10-bit address and the R/W bit set to '1'. After the third address sequence is performed, the UA bit is not set, the module is now configured in Transmit mode and clock stretching is controlled as in 7-bit Slave Transmit mode (see Figure 17-11).



# PIC18F6520/8520/6620/8620/6720/8720

## 17.4.4.5 Clock Synchronization and the CKP bit

When the CKP bit is cleared, the SCL output is forced to '0'. However, clearing the CKP bit will not assert the SCL output low until the SCL output is already sampled low. Therefore, the CKP bit will not assert the SCL line until an external I<sup>2</sup>C master device has

already asserted the SCL line. The SCL output will remain low until the CKP bit is set and all other devices on the I<sup>2</sup>C bus have deasserted SCL. This ensures that a write to the CKP bit will not violate the minimum high time requirement for SCL (see Figure 17-12).

**FIGURE 17-12: CLOCK SYNCHRONIZATION TIMING**



# PIC18F6520/8520/6620/8620/6720/8720

FIGURE 17-13: I<sup>2</sup>C SLAVE MODE TIMING WITH SEN = 1 (RECEPTION, 7-BIT ADDRESS)



# PIC18F6520/8520/6620/8620/6720/8720

FIGURE 17-14: I<sup>2</sup>C SLAVE MODE TIMING SEN = 1 (RECEPTION, 10-BIT ADDRESS)



# PIC18F6520/8520/6620/8620/6720/8720

## 17.4.5 GENERAL CALL ADDRESS SUPPORT

The addressing procedure for the I<sup>2</sup>C bus is such that the first byte after the Start condition usually determines which device will be the slave addressed by the master. The exception is the general call address, which can address all devices. When this address is used, all devices should, in theory, respond with an Acknowledge.

The general call address is one of eight addresses reserved for specific purposes by the I<sup>2</sup>C protocol. It consists of all '0's with R/W = 0.

The general call address is recognized when the General Call Enable bit (GCEN) is enabled (SSPCON2<7> set). Following a Start bit detect, 8 bits are shifted into the SSPSR and the address is compared against the SSPADD. It is also compared to the general call address and fixed in hardware.

If the general call address matches, the SSPSR is transferred to the SSPBUF, the BF flag bit is set (eighth bit) and on the falling edge of the ninth bit ( $\overline{ACK}$  bit), the SSPIF interrupt flag bit is set.

When the interrupt is serviced, the source for the interrupt can be checked by reading the contents of the SSPBUF. The value can be used to determine if the address was device specific or a general call address.

In 10-bit mode, the SSPADD is required to be updated for the second half of the address to match and the UA bit is set (SSPSTAT<1>). If the general call address is sampled when the GCEN bit is set, while the slave is configured in 10-bit Address mode, then the second half of the address is not necessary, the UA bit will not be set and the slave will begin receiving data after the Acknowledge (Figure 17-15).

**FIGURE 17-15: SLAVE MODE GENERAL CALL ADDRESS SEQUENCE (7 OR 10-BIT ADDRESS MODE)**



# PIC18F6520/8520/6620/8620/6720/8720

## 17.4.6 MASTER MODE

Master mode is enabled by setting and clearing the appropriate SSPM bits in SSPCON1 and by setting the SSPEN bit. In Master mode, the SCL and SDA lines are manipulated by the MSSP hardware.

Master mode of operation is supported by interrupt generation on the detection of the Start and Stop conditions. The Stop (P) and Start (S) bits are cleared from a Reset, or when the MSSP module is disabled. Control of the I<sup>2</sup>C bus may be taken when the P bit is set or the bus is Idle, with both the S and P bits clear.

In Firmware Controlled Master mode, user code conducts all I<sup>2</sup>C bus operations based on Start and Stop bit conditions.

Once Master mode is enabled, the user has six options.

1. Assert a Start condition on SDA and SCL.
2. Assert a Repeated Start condition on SDA and SCL.
3. Write to the SSPBUF register initiating transmission of data/address.
4. Configure the I<sup>2</sup>C port to receive data.
5. Generate an Acknowledge condition at the end of a received byte of data.
6. Generate a Stop condition on SDA and SCL.

**Note:** The MSSP module, when configured in I<sup>2</sup>C Master mode, does not allow queuing of events. For instance, the user is not allowed to initiate a Start condition and immediately write the SSPBUF register to initiate transmission before the Start condition is complete. In this case, the SSPBUF will not be written to and the WCOL bit will be set, indicating that a write to the SSPBUF did not occur.

The following events will cause SSP Interrupt Flag bit, SSPIF, to be set (SSP interrupt if enabled):

- Start Condition
- Stop Condition
- Data Transfer Byte Transmitted/received
- Acknowledge Transmit
- Repeated Start

**FIGURE 17-16: MSSP BLOCK DIAGRAM (I<sup>2</sup>C MASTER MODE)**



# PIC18F6520/8520/6620/8620/6720/8720

---

## 17.4.6.1 I<sup>2</sup>C Master Mode Operation

The master device generates all of the serial clock pulses and the Start and Stop conditions. A transfer is ended with a Stop condition or with a Repeated Start condition. Since the Repeated Start condition is also the beginning of the next serial transfer, the I<sup>2</sup>C bus will not be released.

In Master Transmitter mode, serial data is output through SDA, while SCL outputs the serial clock. The first byte transmitted contains the slave address of the receiving device (7 bits) and the Read/Write (R/W) bit. In this case, the R/W bit will be logic '0'. Serial data is transmitted 8 bits at a time. After each byte is transmitted, an Acknowledge bit is received. Start and Stop conditions are output to indicate the beginning and the end of a serial transfer.

In Master Receive mode, the first byte transmitted contains the slave address of the transmitting device (7 bits) and the R/W bit. In this case, the R/W bit will be logic '1'. Thus, the first byte transmitted is a 7-bit slave address followed by a '1' to indicate receive bit. Serial data is received via SDA, while SCL outputs the serial clock. Serial data is received 8 bits at a time. After each byte is received, an Acknowledge bit is transmitted. Start and Stop conditions indicate the beginning and end of transmission.

The Baud Rate Generator used for the SPI mode operation is used to set the SCL clock frequency for either 100 kHz, 400 kHz or 1 MHz I<sup>2</sup>C operation. See **Section 17.4.7 "Baud Rate Generator"**, for more information.

A typical transmit sequence would go as follows:

1. The user generates a Start condition by setting the Start enable bit, SEN (SSPCON2<0>).
2. SSPIF is set. The MSSP module will wait the required start time before any other operation takes place.
3. The user loads the SSPBUF with the slave address to transmit.
4. Address is shifted out the SDA pin until all 8 bits are transmitted.
5. The MSSP module shifts in the ACK bit from the slave device and writes its value into the SSPCON2 register (SSPCON2<6>).
6. The MSSP module generates an interrupt at the end of the ninth clock cycle by setting the SSPIF bit.
7. The user loads the SSPBUF with eight bits of data.
8. Data is shifted out the SDA pin until all 8 bits are transmitted.
9. The MSSP module shifts in the ACK bit from the slave device and writes its value into the SSPCON2 register (SSPCON2<6>).
10. The MSSP module generates an interrupt at the end of the ninth clock cycle by setting the SSPIF bit.
11. The user generates a Stop condition by setting the Stop enable bit PEN (SSPCON2<2>).
12. Interrupt is generated once the Stop condition is complete.

# PIC18F6520/8520/6620/8620/6720/8720

## 17.4.7 BAUD RATE GENERATOR

In I<sup>2</sup>C Master mode, the Baud Rate Generator (BRG) reload value is placed in the lower 7 bits of the SSPADD register (Figure 17-17). When a write occurs to SSPBUF, the Baud Rate Generator will automatically begin counting. The BRG counts down to '0' and stops until another reload has taken place. The BRG count is decremented twice per instruction cycle (TCY) on the Q2 and Q4 clocks. In I<sup>2</sup>C Master mode, the BRG is reloaded automatically.

Once the given operation is complete (i.e., transmission of the last data bit is followed by ACK), the internal clock will automatically stop counting and the SCL pin will remain in its last state.

Table 15-3 demonstrates clock rates based on instruction cycles and the BRG value loaded into SSPADD.

**FIGURE 17-17: BAUD RATE GENERATOR BLOCK DIAGRAM**



**TABLE 17-3: I<sup>2</sup>C CLOCK RATE W/BRG**

| Fcy    | Fcy*2  | BRG VALUE | Fscl<br>(2 rollovers of BRG) |
|--------|--------|-----------|------------------------------|
| 10 MHz | 20 MHz | 19h       | 400 kHz <sup>(1)</sup>       |
| 10 MHz | 20 MHz | 20h       | 312.5 kHz                    |
| 10 MHz | 20 MHz | 3Fh       | 100 kHz                      |
| 4 MHz  | 8 MHz  | 0Ah       | 400 kHz <sup>(1)</sup>       |
| 4 MHz  | 8 MHz  | 0Dh       | 308 kHz                      |
| 4 MHz  | 8 MHz  | 28h       | 100 kHz                      |
| 1 MHz  | 2 MHz  | 03h       | 333 kHz <sup>(1)</sup>       |
| 1 MHz  | 2 MHz  | 0Ah       | 100 kHz                      |
| 1 MHz  | 2 MHz  | 00h       | 1 MHz <sup>(1)</sup>         |

**Note 1:** The I<sup>2</sup>C interface does not conform to the 400 kHz I<sup>2</sup>C specification (which applies to rates greater than 100 kHz) in all details, but may be used with care where higher rates are required by the application.

# PIC18F6520/8520/6620/8620/6720/8720

## 17.4.7.1 Clock Arbitration

Clock arbitration occurs when the master, during any receive, transmit or Repeated Start/Stop condition, deasserts the SCL pin (SCL allowed to float high). When the SCL pin is allowed to float high, the Baud Rate Generator (BRG) is suspended from counting until the SCL pin is actually sampled high. When the

SCL pin is sampled high, the Baud Rate Generator is reloaded with the contents of SSPADD<6:0> and begins counting. This ensures that the SCL high time will always be at least one BRG rollover count, in the event that the clock is held low by an external device (Figure 15-18).

**FIGURE 17-18: BAUD RATE GENERATOR TIMING WITH CLOCK ARBITRATION**





# PIC18F6520/8520/6620/8620/6720/8720

## 17.4.8 I<sup>2</sup>C MASTER MODE START CONDITION TIMING

To initiate a Start condition, the user sets the Start Condition Enable bit, SEN (SSPCON2<0>). If the SDA and SCL pins are sampled high, the Baud Rate Generator is reloaded with the contents of SSPADD<6:0> and starts its count. If SCL and SDA are both sampled high when the Baud Rate Generator times out (TBRG), the SDA pin is driven low. The action of the SDA being driven low, while SCL is high, is the Start condition and causes the S bit (SSPSTAT<3>) to be set. Following this, the Baud Rate Generator is reloaded with the contents of SSPADD<6:0> and resumes its count. When the Baud Rate Generator times out (TBRG), the SEN bit (SSPCON2<0>) will be automatically cleared by hardware, the Baud Rate Generator is suspended, leaving the SDA line held low and the Start condition is complete.

**Note:** If at the beginning of the Start condition, the SDA and SCL pins are already sampled low, or if during the Start condition the SCL line is sampled low before the SDA line is driven low, a bus collision occurs, the Bus Collision Interrupt Flag, BCLIF, is set, the Start condition is aborted and the I<sup>2</sup>C module is reset into its Idle state.

### 17.4.8.1 WCOL Status Flag

If the user writes the SSPBUF when a Start sequence is in progress, the WCOL is set and the contents of the buffer are unchanged (the write doesn't occur).

**Note:** Because queueing of events is not allowed, writing to the lower 5 bits of SSPCON2 is disabled until the Start condition is complete.

**FIGURE 17-19: FIRST START BIT TIMING**



# PIC18F6520/8520/6620/8620/6720/8720

## 17.4.9 I<sup>2</sup>C MASTER MODE REPEATED START CONDITION TIMING

A Repeated Start condition occurs when the RSEN bit (SSPCON2<1>) is programmed high and the I<sup>2</sup>C logic module is in the Idle state. When the RSEN bit is set, the SCL pin is asserted low. When the SCL pin is sampled low, the Baud Rate Generator is loaded with the contents of SSPADD<5:0> and begins counting. The SDA pin is released (brought high) for one Baud Rate Generator count (TBRG). When the Baud Rate Generator times out, if SDA is sampled high, the SCL pin will be deasserted (brought high). When SCL is sampled high, the Baud Rate Generator is reloaded with the contents of SSPADD<6:0> and begins counting. SDA and SCL must be sampled high for one TBRG. This action is then followed by assertion of the SDA pin (SDA = 0) for one TBRG, while SCL is high. Following this, the RSEN bit (SSPCON2<1>) will be automatically cleared and the Baud Rate Generator will not be reloaded, leaving the SDA pin held low. As soon as a Start condition is detected on the SDA and SCL pins, the S bit (SSPSTAT<3>) will be set. The SSPIF bit will not be set until the Baud Rate Generator has timed out.

**Note 1:** If RSEN is programmed while any other event is in progress, it will not take effect.

**2:** A bus collision during the Repeated Start condition occurs if:

- SDA is sampled low when SCL goes from low-to-high.
- SCL goes low before SDA is asserted low. This may indicate that another master is attempting to transmit a data '1'.

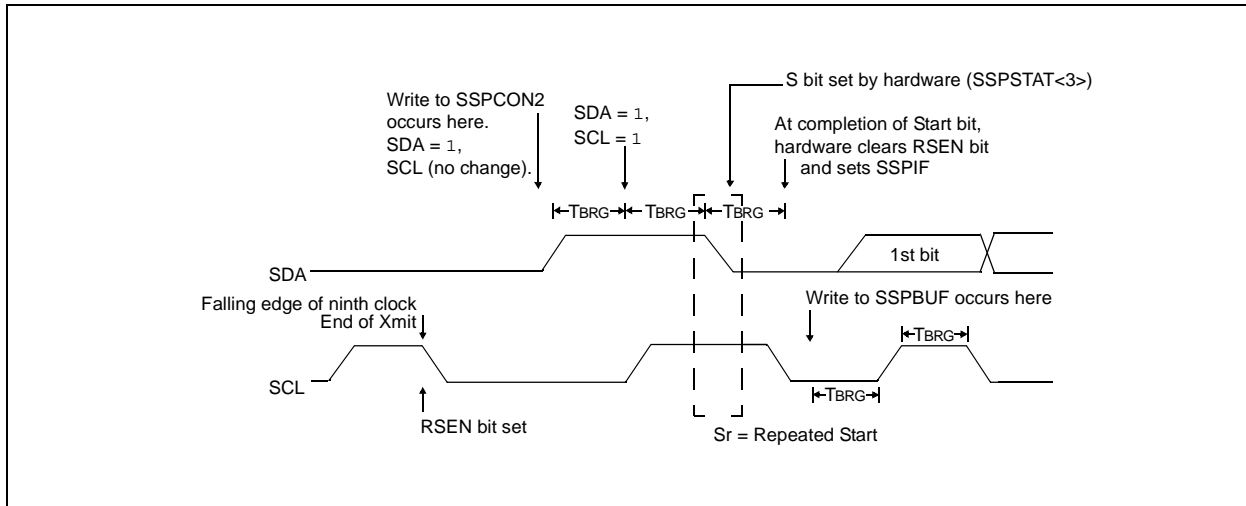
Immediately following the setting of the SSPIF bit, the user may write the SSPBUF with the 7-bit address in 7-bit mode, or the default first address in 10-bit mode. After the first eight bits are transmitted and an ACK is received, the user may then transmit an additional eight bits of address (10-bit mode) or eight bits of data (7-bit mode).

### 17.4.9.1 WCOL Status Flag

If the user writes the SSPBUF when a Repeated Start sequence is in progress, the WCOL is set and the contents of the buffer are unchanged (the write does not occur).

**Note:** Because queueing of events is not allowed, writing of the lower 5 bits of SSPCON2 is disabled until the Repeated Start condition is complete.

**FIGURE 17-20: REPEAT START CONDITION WAVEFORM**



# PIC18F6520/8520/6620/8620/6720/8720

## 17.4.10 I<sup>2</sup>C MASTER MODE TRANSMISSION

Transmission of a data byte, a 7-bit address, or the other half of a 10-bit address is accomplished by simply writing a value to the SSPBUF register. This action will set the Buffer Full flag bit, BF and allow the Baud Rate Generator to begin counting and start the next transmission. Each bit of address/data will be shifted out onto the SDA pin after the falling edge of SCL is asserted (see data hold time specification parameter #106). SCL is held low for one Baud Rate Generator rollover count (TBRG). Data should be valid before SCL is released high (see data setup time specification parameter #107). When the SCL pin is released high, it is held that way for TBRG. The data on the SDA pin must remain stable for that duration and some hold time, after the next falling edge of SCL. After the eighth bit is shifted out (the falling edge of the eighth clock), the BF flag is cleared and the master releases SDA. This allows the slave device being addressed to respond with an  $\overline{ACK}$  bit during the ninth bit time if an address match occurred, or if data was received properly. The status of  $\overline{ACK}$  is written into the ACKDT bit on the falling edge of the ninth clock. If the master receives an Acknowledge, the Acknowledge Status bit, ACKSTAT, is cleared. If not, the bit is set. After the ninth clock, the SSPIF bit is set and the master clock (Baud Rate Generator) is suspended until the next data byte is loaded into the SSPBUF, leaving SCL low and SDA unchanged (Figure 17-21).

After the write to the SSPBUF, each address bit will be shifted out on the falling edge of SCL, until all seven address bits and the R/W bit are completed. On the falling edge of the eighth clock, the master will deassert the SDA pin, allowing the slave to respond with an Acknowledge. On the falling edge of the ninth clock, the master will sample the SDA pin to see if the address was recognized by a slave. The status of the  $\overline{ACK}$  bit is loaded into the ACKSTAT status bit (SSPCON2<6>). Following the falling edge of the ninth clock transmission of the address, the SSPIF is set, the BF flag is cleared and the Baud Rate Generator is turned off until another write to the SSPBUF takes place, holding SCL low and allowing SDA to float.

### 17.4.10.1 BF Status Flag

In Transmit mode, the BF bit (SSPSTAT<0>) is set when the CPU writes to SSPBUF and is cleared when all 8 bits are shifted out.

### 17.4.10.2 WCOL Status Flag

If the user writes the SSPBUF when a transmit is already in progress (i.e., SSPSR is still shifting out a data byte), the WCOL is set and the contents of the buffer are unchanged (the write doesn't occur).

WCOL must be cleared in software.

### 17.4.10.3 ACKSTAT Status Flag

In Transmit mode, the ACKSTAT bit (SSPCON2<6>) is cleared when the slave has sent an Acknowledge ( $ACK = 0$ ) and is set when the slave does not Acknowledge ( $ACK = 1$ ). A slave sends an Acknowledge when it has recognized its address (including a general call), or when the slave has properly received its data.

## 17.4.11 I<sup>2</sup>C MASTER MODE RECEPTION

Master mode reception is enabled by programming the Receive Enable bit, RCEN (SSPCON2<3>).

|  |
|--|
| <b>Note:</b> The MSSP module must be in an Idle state before the RCEN bit is set, or the RCEN bit will be disregarded. |
|--|

The Baud Rate Generator begins counting and on each rollover, the state of the SCL pin changes (high-to-low/low-to-high) and data is shifted into the SSPSR. After the falling edge of the eighth clock, the receive enable flag is automatically cleared, the contents of the SSPSR are loaded into the SSPBUF, the BF flag bit is set, the SSPIF flag bit is set and the Baud Rate Generator is suspended from counting, holding SCL low. The MSSP is now in Idle state, awaiting the next command. When the buffer is read by the CPU, the BF flag bit is automatically cleared. The user can then send an Acknowledge bit at the end of reception by setting the Acknowledge Sequence Enable bit, ACKEN (SSPCON2<4>).

### 17.4.11.1 BF Status Flag

In receive operation, the BF bit is set when an address or data byte is loaded into SSPBUF from SSPSR. It is cleared when the SSPBUF register is read.

### 17.4.11.2 SSPOV Status Flag

In receive operation, the SSPOV bit is set when 8 bits are received into the SSPSR and the BF flag bit is already set from a previous reception.

### 17.4.11.3 WCOL Status Flag

If the user writes the SSPBUF when a receive is already in progress (i.e., SSPSR is still shifting in a data byte), the WCOL bit is set and the contents of the buffer are unchanged (the write doesn't occur).

# PIC18F6520/8520/6620/8620/6720/8720

FIGURE 17-21: I<sup>2</sup>C MASTER MODE WAVEFORM (TRANSMISSION, 7 OR 10-BIT ADDRESS)



# PIC18F6520/8520/6620/8620/6720/8720

FIGURE 17-22: I<sup>2</sup>C MASTER MODE WAVEFORM (RECEPTION, 7-BIT ADDRESS)



# PIC18F6520/8520/6620/8620/6720/8720

## 17.4.12 ACKNOWLEDGE SEQUENCE TIMING

An Acknowledge sequence is enabled by setting the Acknowledge Sequence Enable bit, ACKEN (SSPCON2<4>). When this bit is set, the SCL pin is pulled low and the contents of the Acknowledge data bit are presented on the SDA pin. If the user wishes to generate an Acknowledge, then the ACKDT bit should be cleared. If not, the user should set the ACKDT bit before starting an Acknowledge sequence. The Baud Rate Generator then counts for one rollover period (TBRG) and the SCL pin is deasserted (pulled high). When the SCL pin is sampled high (clock arbitration), the Baud Rate Generator counts for TBRG. The SCL pin is then pulled low. Following this, the ACKEN bit is automatically cleared, the Baud Rate Generator is turned off and the MSSP module then goes into Idle mode (Figure 17-23).

### 17.4.12.1 WCOL Status Flag

If the user writes the SSPBUF when an Acknowledge sequence is in progress, then WCOL is set and the contents of the buffer are unchanged (the write doesn't occur).

## 17.4.13 STOP CONDITION TIMING

A Stop bit is asserted on the SDA pin at the end of a receive/transmit by setting the Stop Sequence Enable bit, PEN (SSPCON2<2>). At the end of a receive/transmit, the SCL line is held low after the falling edge of the ninth clock. When the PEN bit is set, the master will assert the SDA line low. When the SDA line is sampled low, the Baud Rate Generator is reloaded and counts down to '0'. When the Baud Rate Generator times out, the SCL pin will be brought high and one TBRG (Baud Rate Generator rollover count) later, the SDA pin will be deasserted. When the SDA pin is sampled high while SCL is high, the P bit (SSPSTAT<4>) is set. A TBRG later, the PEN bit is cleared and the SSPIF bit is set (Figure 17-24).

### 17.4.13.1 WCOL Status Flag

If the user writes the SSPBUF when a Stop sequence is in progress, then the WCOL bit is set and the contents of the buffer are unchanged (the write doesn't occur).

**FIGURE 17-23: ACKNOWLEDGE SEQUENCE WAVEFORM**



**FIGURE 17-24: STOP CONDITION RECEIVE OR TRANSMIT MODE**



# PIC18F6520/8520/6620/8620/6720/8720

## 17.4.14 SLEEP OPERATION

While in Sleep mode, the I<sup>2</sup>C module can receive addresses or data and when an address match or complete byte transfer occurs, wake the processor from Sleep (if the MSSP interrupt is enabled).

## 17.4.15 EFFECT OF A RESET

A Reset disables the MSSP module and terminates the current transfer.

## 17.4.16 MULTI-MASTER MODE

In Multi-Master mode, the interrupt generation on the detection of the Start and Stop conditions allows the determination of when the bus is free. The Stop (P) and Start (S) bits are cleared from a Reset or when the MSSP module is disabled. Control of the I<sup>2</sup>C bus may be taken when the P bit (SSPSTAT<4>) is set, or the bus is idle with both the S and P bits clear. When the bus is busy, enabling the SSP interrupt will generate the interrupt when the Stop condition occurs.

In multi-master operation, the SDA line must be monitored for arbitration, to see if the signal level is the expected output level. This check is performed in hardware, with the result placed in the BCLIF bit.

The states where arbitration can be lost are:

- Address Transfer
- Data Transfer
- A Start Condition
- A Repeated Start Condition
- An Acknowledge Condition

## 17.4.17 MULTI-MASTER COMMUNICATION, BUS COLLISION AND BUS ARBITRATION

Multi-Master mode support is achieved by bus arbitration. When the master outputs address/data bits onto the SDA pin, arbitration takes place when the master outputs a '1' on SDA, by letting SDA float high and another master asserts a '0'. When the SCL pin floats high, data should be stable. If the expected data on SDA is a '1' and the data sampled on the SDA pin = 0, then a bus collision has taken place. The master will set the Bus Collision Interrupt Flag, BCLIF and reset the I<sup>2</sup>C port to its Idle state (Figure 17-25).

If a transmit was in progress when the bus collision occurred, the transmission is halted, the BF flag is cleared, the SDA and SCL lines are deasserted and the SSPBUF can be written to. When the user services the bus collision Interrupt Service Routine and if the I<sup>2</sup>C bus is free, the user can resume communication by asserting a Start condition.

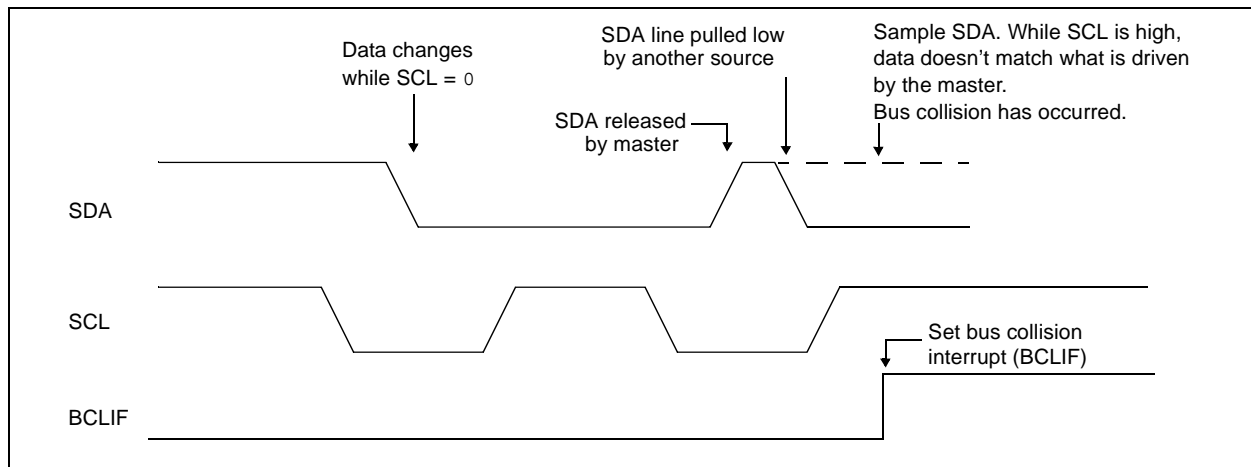
If a Start, Repeated Start, Stop, or Acknowledge condition was in progress when the bus collision occurred, the condition is aborted, the SDA and SCL lines are deasserted and the respective control bits in the SSPCON2 register are cleared. When the user services the bus collision Interrupt Service Routine and if the I<sup>2</sup>C bus is free, the user can resume communication by asserting a Start condition.

The master will continue to monitor the SDA and SCL pins. If a Stop condition occurs, the SSPIF bit will be set.

A write to the SSPBUF will start the transmission of data at the first data bit, regardless of where the transmitter left off when the bus collision occurred.

In Multi-Master mode, the interrupt generation on the detection of Start and Stop conditions allows the determination of when the bus is free. Control of the I<sup>2</sup>C bus can be taken when the P bit is set in the SSPSTAT register, or the bus is Idle and the S and P bits are cleared.

**FIGURE 17-25: BUS COLLISION TIMING FOR TRANSMIT AND ACKNOWLEDGE**



# PIC18F6520/8520/6620/8620/6720/8720

## 17.4.17.1 Bus Collision During a Start Condition

During a Start condition, a bus collision occurs if:

- SDA or SCL are sampled low at the beginning of the Start condition (Figure 17-26).
- SCL is sampled low before SDA is asserted low (Figure 17-27).

During a Start condition, both the SDA and the SCL pins are monitored.

If the SDA pin is already low, or the SCL pin is already low, then all of the following occur:

- the Start condition is aborted,
- the BCLIF flag is set and
- the MSSP module is reset to its Idle state (Figure 17-26).

The Start condition begins with the SDA and SCL pins deasserted. When the SDA pin is sampled high, the Baud Rate Generator is loaded from SSPADD<6:0> and counts down to '0'. If the SCL pin is sampled low while SDA is high, a bus collision occurs, because it is assumed that another master is attempting to drive a data '1' during the Start condition.

If the SDA pin is sampled low during this count, the BRG is reset and the SDA line is asserted early (Figure 17-28). If, however, a '1' is sampled on the SDA pin, the SDA pin is asserted low at the end of the BRG count. The Baud Rate Generator is then reloaded and counts down to '0' and during this time, if the SCL pin is sampled as '0', a bus collision does not occur. At the end of the BRG count, the SCL pin is asserted low.

**Note:** The reason that bus collision is not a factor during a Start condition is that no two bus masters can assert a Start condition at the exact same time. Therefore, one master will always assert SDA before the other. This condition does not cause a bus collision because the two masters must be allowed to arbitrate the first address following the Start condition. If the address is the same, arbitration must be allowed to continue into the data portion, Repeated Start or Stop conditions.

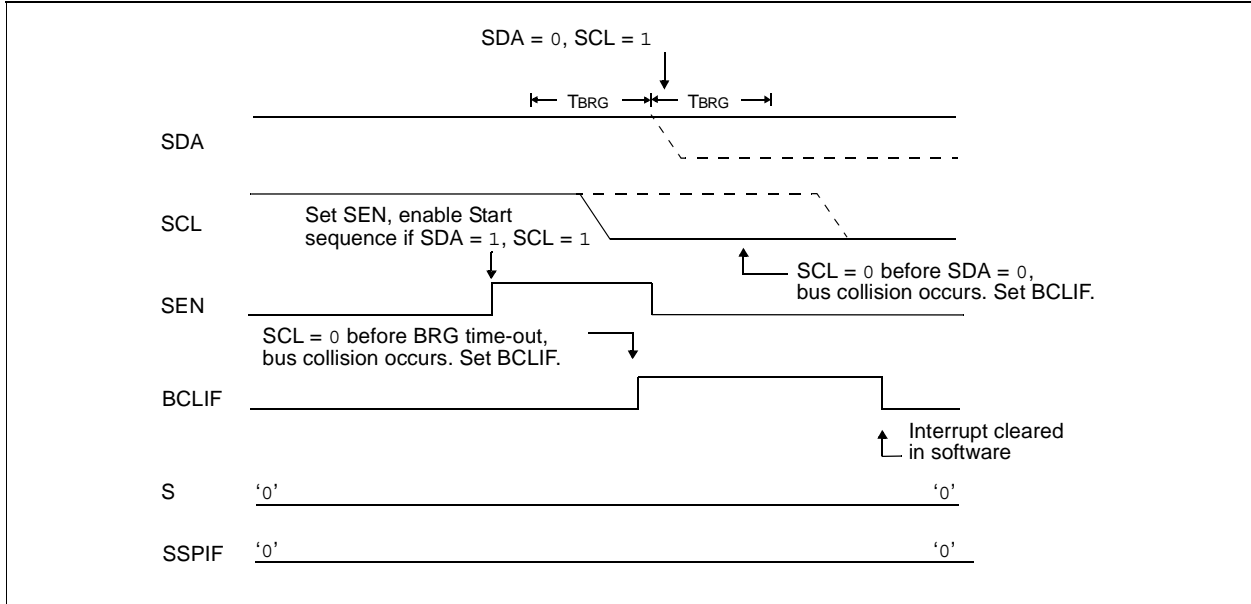
**FIGURE 17-26: BUS COLLISION DURING START CONDITION (SDA ONLY)**



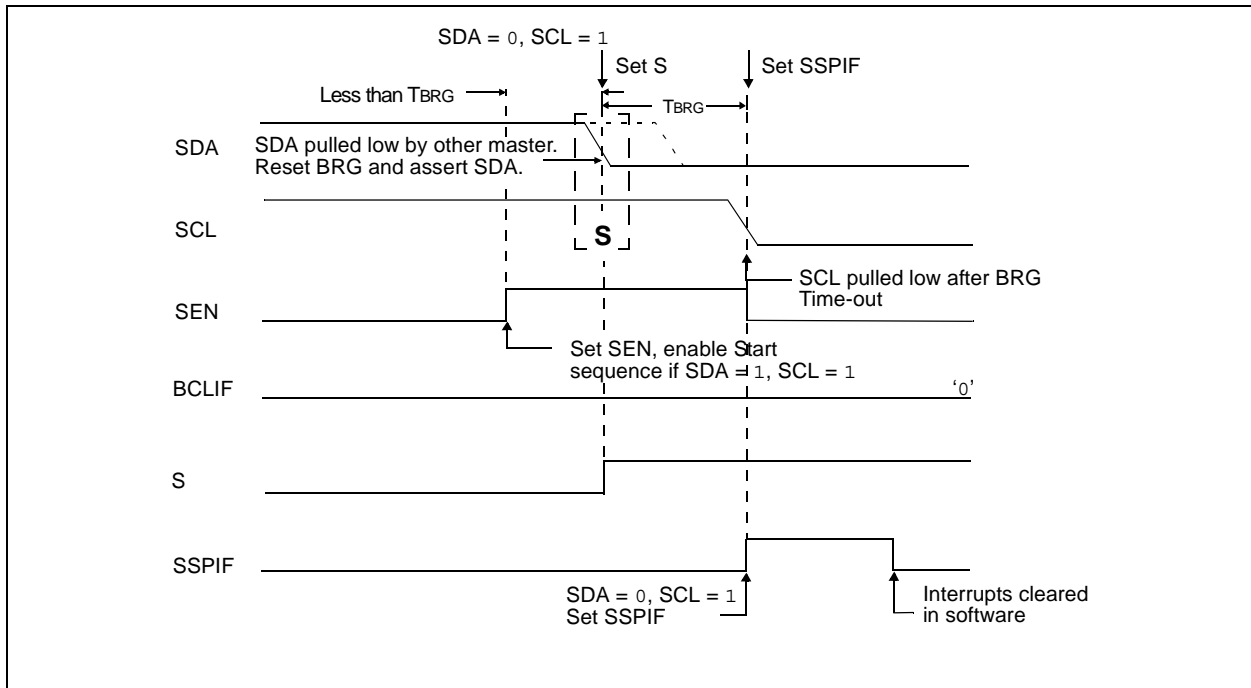


# PIC18F6520/8520/6620/8620/6720/8720

**FIGURE 17-27: BUS COLLISION DURING START CONDITION (SCL = 0)**



**FIGURE 17-28: BRG RESET DUE TO SDA ARBITRATION DURING START CONDITION**



# PIC18F6520/8520/6620/8620/6720/8720

## 17.4.17.2 Bus Collision During a Repeated Start Condition

During a Repeated Start condition, a bus collision occurs if:

- a) A low level is sampled on SDA when SCL goes from low level to high level.
- b) SCL goes low before SDA is asserted low, indicating that another master is attempting to transmit a data '1'.

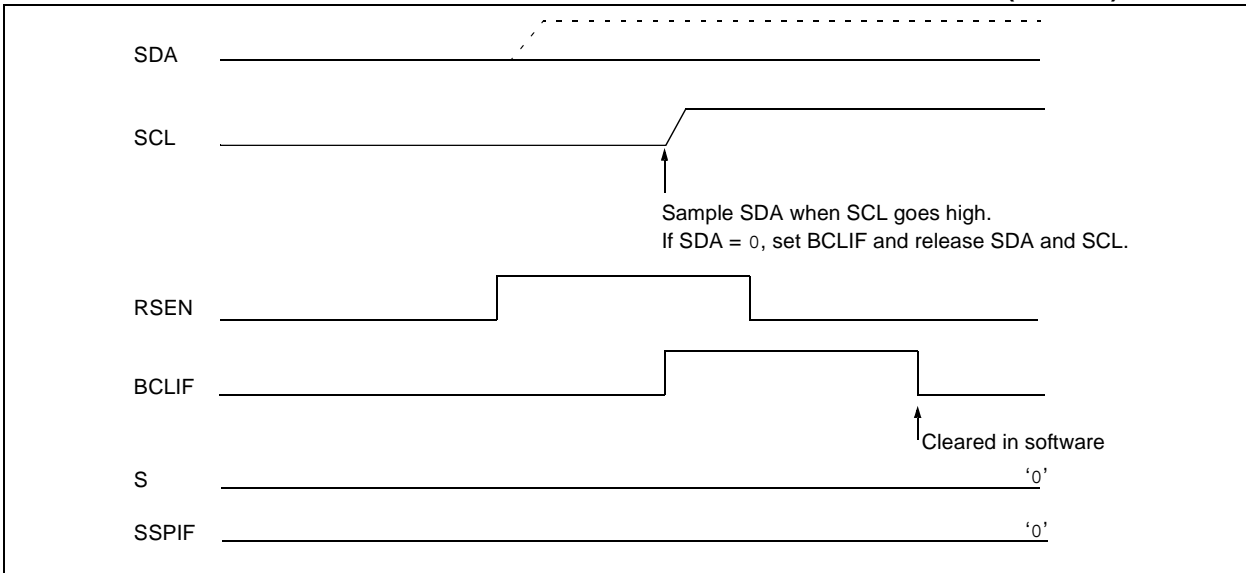
When the user deasserts SDA and the pin is allowed to float high, the BRG is loaded with SSPADD<6:0> and counts down to '0'. The SCL pin is then deasserted and when sampled high, the SDA pin is sampled.

If SDA is low, a bus collision has occurred (i.e., another master is attempting to transmit a data '0', Figure 17-29). If SDA is sampled high, the BRG is reloaded and begins counting. If SDA goes from high-to-low before the BRG times out, no bus collision occurs because no two masters can assert SDA at exactly the same time.

If SCL goes from high-to-low before the BRG times out and SDA has not already been asserted, a bus collision occurs. In this case, another master is attempting to transmit a data '1' during the Repeated Start condition, Figure 17-30.

If, at the end of the BRG time-out, both SCL and SDA are still high, the SDA pin is driven low and the BRG is released and begins counting. At the end of the count, regardless of the status of the SCL pin, the SCL pin is driven low and the Repeated Start condition is complete.

**FIGURE 17-29: BUS COLLISION DURING A REPEATED START CONDITION (CASE 1)**



**FIGURE 17-30: BUS COLLISION DURING REPEATED START CONDITION (CASE 2)**



# PIC18F6520/8520/6620/8620/6720/8720

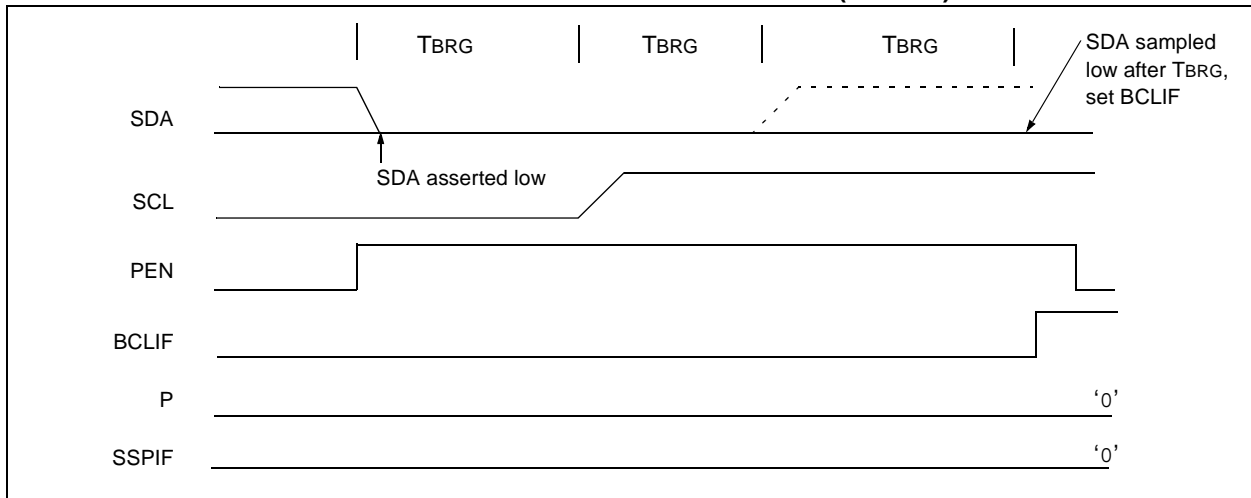
## 17.4.17.3 Bus Collision During a Stop Condition

Bus collision occurs during a Stop condition if:

- After the SDA pin has been deasserted and allowed to float high, SDA is sampled low after the BRG has timed out.
- After the SCL pin is deasserted, SCL is sampled low before SDA goes high.

The Stop condition begins with SDA asserted low. When SDA is sampled low, the SCL pin is allowed to float. When the pin is sampled high (clock arbitration), the Baud Rate Generator is loaded with SSPADD<6:0> and counts down to '0'. After the BRG times out, SDA is sampled. If SDA is sampled low, a bus collision has occurred. This is due to another master attempting to drive a data '0' (Figure 17-31). If the SCL pin is sampled low before SDA is allowed to float high, a bus collision occurs. This is another case of another master attempting to drive a data '0' (Figure 17-32).

**FIGURE 17-31: BUS COLLISION DURING A STOP CONDITION (CASE 1)**



**FIGURE 17-32: BUS COLLISION DURING A STOP CONDITION (CASE 2)**



# PIC18F6520/8520/6620/8620/6720/8720

---

NOTES:

## 18.0 ADDRESSABLE UNIVERSAL SYNCHRONOUS ASYNCHRONOUS RECEIVER TRANSMITTER (USART)

The Universal Synchronous Asynchronous Receiver Transmitter (USART) module (also known as a Serial Communications Interface or SCI) is one of the two types of serial I/O modules available on PIC18FXX20 devices. Each device has two USARTs, which can be configured independently of each other. Each can be configured as a full-duplex asynchronous system that can communicate with peripheral devices, such as CRT terminals and personal computers, or as a half-duplex synchronous system that can communicate with peripheral devices, such as A/D or D/A integrated circuits, serial EEPROMs, etc.

The USART can be configured in the following modes:

- Asynchronous (full-duplex)
- Synchronous – Master (half-duplex)
- Synchronous – Slave (half-duplex)

The pins of USART1 and USART2 are multiplexed with the functions of PORTC (RC6/TX1/CK1 and RC7/RX1/DT1) and PORTG (RG1/TX2/CK2 and RG2/RX2/DT2), respectively. In order to configure these pins as a USART:

- For USART1:
  - bit SPEN (RCSTA1<7>) must be set (= 1)
  - bit TRISC<7> must be set (= 1)
  - bit TRISC<6> must be cleared (= 0) for Asynchronous and Synchronous Master modes
  - bit TRISC<6> must be set (= 1) for Synchronous Slave mode
- For USART2:
  - bit SPEN (RCSTA2<7>) must be set (= 1)
  - bit TRISG<2> must be set (= 1)
  - bit TRISG<1> must be cleared (= 0) for Asynchronous and Synchronous Master modes
  - bit TRISC<6> must be set (= 1) for Synchronous Slave mode

Register 18-1 shows the layout of the Transmit Status and Control registers (TXSTAx) and Register 18-2 shows the layout of the Receive Status and Control registers (RCSTAx). USART1 and USART2 each have their own independent and distinct pairs of transmit and receive control registers, which are identical to each other apart from their names. Similarly, each USART has its own distinct set of transmit, receive and baud rate registers.

**Note:** Throughout this section, references to register and bit names that may be associated with a specific USART module are referred to generically by the use of 'x' in place of the specific module number. Thus, "RCSTAx" might refer to the receive status register for either USART1 or USART2.

# PIC18F6520/8520/6620/8620/6720/8720

## REGISTER 18-1: TXSTAx: TRANSMIT STATUS AND CONTROL REGISTER

|       |       |       |       |     |       |      |       |
|-------|-------|-------|-------|-----|-------|------|-------|
| R/W-0 | R/W-0 | R/W-0 | R/W-0 | U-0 | R/W-0 | R-1  | R/W-0 |
| CSRC  | TX9   | TXEN  | SYNC  | —   | BRGH  | TRMT | TX9D  |

bit 7

bit 0

bit 7 **CSRC:** Clock Source Select bit

Asynchronous mode:

Don't care.

Synchronous mode:

1 = Master mode (clock generated internally from BRG)

0 = Slave mode (clock from external source)

bit 6 **TX9:** 9-bit Transmit Enable bit

1 = Selects 9-bit transmission

0 = Selects 8-bit transmission

bit 5 **TXEN:** Transmit Enable bit

1 = Transmit enabled

0 = Transmit disabled

**Note:** SREN/CREN overrides TXEN in Sync mode.

bit 4 **SYNC:** USART Mode Select bit

1 = Synchronous mode

0 = Asynchronous mode

bit 3 **Unimplemented:** Read as '0'

bit 2 **BRGH:** High Baud Rate Select bit

Asynchronous mode:

1 = High speed

0 = Low speed

Synchronous mode:

Unused in this mode.

bit 1 **TRMT:** Transmit Shift Register Status bit

1 = TSR empty

0 = TSR full

bit 0 **TX9D:** 9th bit of Transmit Data

Can be address/data bit or a parity bit.

### Legend:

R = Readable bit

W = Writable bit

U = Unimplemented bit, read as '0'

- n = Value at POR

'1' = Bit is set

'0' = Bit is cleared

x = Bit is unknown

# PIC18F6520/8520/6620/8620/6720/8720

## REGISTER 18-2: RCSTAx: RECEIVE STATUS AND CONTROL REGISTER

| R/W-0 | R/W-0 | R/W-0 | R/W-0 | R/W-0 | R-0  | R-0  | R-x   |
|-------|-------|-------|-------|-------|------|------|-------|
| SPEN  | RX9   | SREN  | CREN  | ADDEN | FERR | OERR | RX9D  |
| bit 7 |       |       |       |       |      |      | bit 0 |

- bit 7 **SPEN:** Serial Port Enable bit  
 1 = Serial port enabled (configures RX/DT and TX/CK pins as serial port pins)  
 0 = Serial port disabled
- bit 6 **RX9:** 9-bit Receive Enable bit  
 1 = Selects 9-bit reception  
 0 = Selects 8-bit reception
- bit 5 **SREN:** Single Receive Enable bit  
Asynchronous mode:  
 Don't care.  
Synchronous mode – Master:  
 1 = Enables single receive  
 0 = Disables single receive  
 This bit is cleared after reception is complete.  
Synchronous mode – Slave:  
 Don't care.
- bit 4 **CREN:** Continuous Receive Enable bit  
Asynchronous mode:  
 1 = Enables receiver  
 0 = Disables receiver  
Synchronous mode:  
 1 = Enables continuous receive until enable bit CREN is cleared (CREN overrides SREN)  
 0 = Disables continuous receive
- bit 3 **ADDEN:** Address Detect Enable bit  
Asynchronous mode 9-bit (RX9 = 1):  
 1 = Enables address detection, enables interrupt and load of the receive buffer when RSR<8> is set  
 0 = Disables address detection, all bytes are received and ninth bit can be used as parity bit
- bit 2 **FERR:** Framing Error bit  
 1 = Framing error (can be updated by reading RCREG register and receive next valid byte)  
 0 = No framing error
- bit 1 **OERR:** Overrun Error bit  
 1 = Overrun error (can be cleared by clearing bit CREN)  
 0 = No overrun error
- bit 0 **RX9D:** 9th bit of Received Data  
 This can be address/data bit or a parity bit and must be calculated by user firmware.

### Legend:

|                    |                  |  |
|--------------------|------------------|--|
| R = Readable bit   | W = Writable bit | U = Unimplemented bit, read as '0'         |
| - n = Value at POR | '1' = Bit is set | '0' = Bit is cleared    x = Bit is unknown |

# PIC18F6520/8520/6620/8620/6720/8720

## 18.1 USART Baud Rate Generator (BRG)

The BRG supports both the Asynchronous and Synchronous modes of the USARTs. It is a dedicated 8-bit Baud Rate Generator. The SPBRG register controls the period of a free running 8-bit timer. In Asynchronous mode, bit BRGH (TXSTAx<2>) also controls the baud rate. In Synchronous mode, bit BRGH is ignored. Table 18-1 shows the formula for computation of the baud rate for different USART modes, which only apply in Master mode (internal clock).

Given the desired baud rate and FOSC, the nearest integer value for the SPBRGx register can be calculated using the formula in Table 18-1. From this, the error in baud rate can be determined.

Example 18-1 shows the calculation of the baud rate error for the following conditions:

- FOSC = 16 MHz
- Desired Baud Rate = 9600
- BRGH = 0
- SYNC = 0

It may be advantageous to use the high baud rate (BRGH = 1) even for slower baud clocks. This is because the equation in Example 18-1 can reduce the baud rate error in some cases.

Writing a new value to the SPBRGx register causes the BRG timer to be reset (or cleared). This ensures the BRG does not wait for a timer overflow before outputting the new baud rate.

### 18.1.1 SAMPLING

The data on the RXx pin (either RC7/RX1/DT1 or RG2/RX2/DT2) is sampled three times by a majority detect circuit to determine if a high or a low level is present at the pin.

### EXAMPLE 18-1: CALCULATING BAUD RATE ERROR

|                      |   |   |
|----------------------|---|---|
| Desired Baud Rate    | = | $F_{OSC}/(64(X + 1))$   |
| Solving for X:       |   |   |
| X                    | = | $((F_{OSC}/\text{Desired Baud Rate})/64) - 1$   |
| X                    | = | $((16000000/9600)/64) - 1$  |
| X                    | = | $[25.042] = 25$   |
| Calculated Baud Rate | = | $16000000/(64(25 + 1))$   |
|                      | = | 9615  |
| Error                | = | $\frac{(\text{Calculated Baud Rate} - \text{Desired Baud Rate})}{\text{Desired Baud Rate}}$ |
|                      | = | $(9615 - 9600)/9600$  |
|                      | = | 0.16%   |

TABLE 18-1: BAUD RATE FORMULA

| SYNC | BRGH = 0 (Low Speed)                             | BRGH = 1 (High Speed)             |
|------|--|-----------------------------------|
| 0    | (Asynchronous) Baud Rate = $F_{OSC}/(64(X + 1))$ | Baud Rate = $F_{OSC}/(16(X + 1))$ |
| 1    | (Synchronous) Baud Rate = $F_{OSC}/(4(X + 1))$   | N/A                               |

Legend: X = value in SPBRGx (0 to 255)

TABLE 18-2: REGISTERS ASSOCIATED WITH BAUD RATE GENERATOR

| Name   | Bit 7                        | Bit 6 | Bit 5 | Bit 4 | Bit 3 | Bit 2 | Bit 1 | Bit 0 | Value on POR, BOR | Value on all other Resets |
|--------|------------------------------|-------|-------|-------|-------|-------|-------|-------|-------------------|---------------------------|
| TXSTAx | CSRC                         | TX9   | TXEN  | SYNC  | —     | BRGH  | TRMT  | TX9D  | 0000 -010         | 0000 -010                 |
| RCSTAx | SPEN                         | RX9   | SREN  | CREN  | ADDEN | FERR  | OERR  | RX9D  | 0000 000x         | 0000 000x                 |
| SPBRGx | Baud Rate Generator Register |       |       |       |       |       |       |       | 0000 0000         | 0000 0000                 |

Legend: x = unknown, — = unimplemented, read as '0'. Shaded cells are not used by the BRG.

Note 1: Register names generically refer to both of the identically named registers for the two USART modules, where 'x' indicates the particular module. Bit names and Reset values are identical between modules.



# PIC18F6520/8520/6620/8620/6720/8720

**TABLE 18-3: BAUD RATES FOR SYNCHRONOUS MODE**

| BAUD RATE (Kbps) | Fosc = 40 MHz |         |                       | 33 MHz |         |                       | 25 MHz |         |                       | 20 MHz |         |                       |
|------------------|---------------|---------|-----------------------|--------|---------|-----------------------|--------|---------|-----------------------|--------|---------|-----------------------|
|                  | KBAUD         | % ERROR | SPBRG value (decimal) | KBAUD  | % ERROR | SPBRG value (decimal) | KBAUD  | % ERROR | SPBRG value (decimal) | KBAUD  | % ERROR | SPBRG value (decimal) |
| 0.3              | NA            | -       | -                     | NA     | -       | -                     | NA     | -       | -                     | NA     | -       | -                     |
| 1.2              | NA            | -       | -                     | NA     | -       | -                     | NA     | -       | -                     | NA     | -       | -                     |
| 2.4              | NA            | -       | -                     | NA     | -       | -                     | NA     | -       | -                     | NA     | -       | -                     |
| 9.6              | NA            | -       | -                     | NA     | -       | -                     | NA     | -       | -                     | NA     | -       | -                     |
| 19.2             | NA            | -       | -                     | NA     | -       | -                     | NA     | -       | -                     | NA     | -       | -                     |
| 76.8             | 76.92         | +0.16   | 129                   | 77.10  | +0.39   | 106                   | 77.16  | +0.47   | 80                    | 76.92  | +0.16   | 64                    |
| 96               | 96.15         | +0.16   | 103                   | 95.93  | -0.07   | 85                    | 96.15  | +0.16   | 64                    | 96.15  | +0.16   | 51                    |
| 300              | 303.03        | +1.01   | 32                    | 294.64 | -1.79   | 27                    | 297.62 | -0.79   | 20                    | 294.12 | -1.96   | 16                    |
| 500              | 500           | 0       | 19                    | 485.30 | -2.94   | 16                    | 480.77 | -3.85   | 12                    | 500    | 0       | 9                     |
| HIGH             | 10000         | -       | 0                     | 8250   | -       | 0                     | 6250   | -       | 0                     | 5000   | -       | 0                     |
| LOW              | 39.06         | -       | 255                   | 32.23  | -       | 255                   | 24.41  | -       | 255                   | 19.53  | -       | 255                   |

| BAUD RATE (Kbps) | Fosc = 16 MHz |         |                       | 10 MHz |         |                       | 7.15909 MHz |         |                       | 5.0688 MHz |         |                       |
|------------------|---------------|---------|-----------------------|--------|---------|-----------------------|-------------|---------|-----------------------|------------|---------|-----------------------|
|                  | KBAUD         | % ERROR | SPBRG value (decimal) | KBAUD  | % ERROR | SPBRG value (decimal) | KBAUD       | % ERROR | SPBRG value (decimal) | KBAUD      | % ERROR | SPBRG value (decimal) |
| 0.3              | NA            | -       | -                     | NA     | -       | -                     | NA          | -       | -                     | NA         | -       | -                     |
| 1.2              | NA            | -       | -                     | NA     | -       | -                     | NA          | -       | -                     | NA         | -       | -                     |
| 2.4              | NA            | -       | -                     | NA     | -       | -                     | NA          | -       | -                     | NA         | -       | -                     |
| 9.6              | NA            | -       | -                     | NA     | -       | -                     | 9.62        | +0.23   | 185                   | 9.60       | 0       | 131                   |
| 19.2             | 19.23         | +0.16   | 207                   | 19.23  | +0.16   | 129                   | 19.24       | +0.23   | 92                    | 19.20      | 0       | 65                    |
| 76.8             | 76.92         | +0.16   | 51                    | 75.76  | -1.36   | 32                    | 77.82       | +1.32   | 22                    | 74.54      | -2.94   | 16                    |
| 96               | 95.24         | -0.79   | 41                    | 96.15  | +0.16   | 25                    | 94.20       | -1.88   | 18                    | 97.48      | +1.54   | 12                    |
| 300              | 307.70        | +2.56   | 12                    | 312.50 | +4.17   | 7                     | 298.35      | -0.57   | 5                     | 316.80     | +5.60   | 3                     |
| 500              | 500           | 0       | 7                     | 500    | 0       | 4                     | 447.44      | -10.51  | 3                     | 422.40     | -15.52  | 2                     |
| HIGH             | 4000          | -       | 0                     | 2500   | -       | 0                     | 1789.80     | -       | 0                     | 1267.20    | -       | 0                     |
| LOW              | 15.63         | -       | 255                   | 9.77   | -       | 255                   | 6.99        | -       | 255                   | 4.95       | -       | 255                   |

| BAUD RATE (Kbps) | Fosc = 4 MHz |         |                       | 3.579545 MHz |         |                       | 1 MHz |         |                       | 32.768 kHz |         |                       |
|------------------|--------------|---------|-----------------------|--------------|---------|-----------------------|-------|---------|-----------------------|------------|---------|-----------------------|
|                  | KBAUD        | % ERROR | SPBRG value (decimal) | KBAUD        | % ERROR | SPBRG value (decimal) | KBAUD | % ERROR | SPBRG value (decimal) | KBAUD      | % ERROR | SPBRG value (decimal) |
| 0.3              | NA           | -       | -                     | NA           | -       | -                     | NA    | -       | -                     | 0.30       | +1.14   | 26                    |
| 1.2              | NA           | -       | -                     | NA           | -       | -                     | 1.20  | +0.16   | 207                   | 1.17       | -2.48   | 6                     |
| 2.4              | NA           | -       | -                     | NA           | -       | -                     | 2.40  | +0.16   | 103                   | 2.73       | +13.78  | 2                     |
| 9.6              | 9.62         | +0.16   | 103                   | 9.62         | +0.23   | 92                    | 9.62  | +0.16   | 25                    | 8.20       | -14.67  | 0                     |
| 19.2             | 19.23        | +0.16   | 51                    | 19.04        | -0.83   | 46                    | 19.23 | +0.16   | 12                    | NA         | -       | -                     |
| 76.8             | 76.92        | +0.16   | 12                    | 74.57        | -2.90   | 11                    | 83.33 | +8.51   | 2                     | NA         | -       | -                     |
| 96               | 1000         | +4.17   | 9                     | 99.43        | +3.57   | 8                     | 83.33 | -13.19  | 2                     | NA         | -       | -                     |
| 300              | 333.33       | +11.11  | 2                     | 298.30       | -0.57   | 2                     | 250   | -16.67  | 0                     | NA         | -       | -                     |
| 500              | 500          | 0       | 1                     | 447.44       | -10.51  | 1                     | NA    | -       | -                     | NA         | -       | -                     |
| HIGH             | 1000         | -       | 0                     | 894.89       | -       | 0                     | 250   | -       | 0                     | 8.20       | -       | 0                     |
| LOW              | 3.91         | -       | 255                   | 3.50         | -       | 255                   | 0.98  | -       | 255                   | 0.03       | -       | 255                   |

# PIC18F6520/8520/6620/8620/6720/8720

**TABLE 18-4: BAUD RATES FOR ASYNCHRONOUS MODE (BRGH = 0)**

| BAUD RATE (Kbps) | Fosc = 40 MHz |         |                       | 33 MHz |         |                       | 25 MHz |         |                       | 20 MHz |         |                       |
|------------------|---------------|---------|-----------------------|--------|---------|-----------------------|--------|---------|-----------------------|--------|---------|-----------------------|
|                  | KBAUD         | % ERROR | SPBRG value (decimal) | KBAUD  | % ERROR | SPBRG value (decimal) | KBAUD  | % ERROR | SPBRG value (decimal) | KBAUD  | % ERROR | SPBRG value (decimal) |
| 0.3              | NA            | -       | -                     | NA     | -       | -                     | NA     | -       | -                     | NA     | -       | -                     |
| 1.2              | NA            | -       | -                     | NA     | -       | -                     | NA     | -       | -                     | NA     | -       | -                     |
| 2.4              | NA            | -       | -                     | 2.40   | -0.07   | 214                   | 2.40   | -0.15   | 162                   | 2.40   | +0.16   | 129                   |
| 9.6              | 9.62          | +0.16   | 64                    | 9.55   | -0.54   | 53                    | 9.53   | -0.76   | 40                    | 9.47   | -1.36   | 32                    |
| 19.2             | 18.94         | -1.36   | 32                    | 19.10  | -0.54   | 26                    | 19.53  | +1.73   | 19                    | 19.53  | +1.73   | 15                    |
| 76.8             | 78.13         | +1.73   | 7                     | 73.66  | -4.09   | 6                     | 78.13  | +1.73   | 4                     | 78.13  | +1.73   | 3                     |
| 96               | 89.29         | -6.99   | 6                     | 103.13 | +7.42   | 4                     | 97.66  | +1.73   | 3                     | 104.17 | +8.51   | 2                     |
| 300              | 312.50        | +4.17   | 1                     | 257.81 | -14.06  | 1                     | NA     | -       | -                     | 312.50 | +4.17   | 0                     |
| 500              | 625           | +25.00  | 0                     | NA     | -       | -                     | NA     | -       | -                     | NA     | -       | -                     |
| HIGH             | 625           | -       | 0                     | 515.63 | -       | 0                     | 390.63 | -       | 0                     | 312.50 | -       | 0                     |
| LOW              | 2.44          | -       | 255                   | 2.01   | -       | 255                   | 1.53   | -       | 255                   | 1.22   | -       | 255                   |

| BAUD RATE (Kbps) | Fosc = 16 MHz |         |                       | 10 MHz |         |                       | 7.15909 MHz |         |                       | 5.0688 MHz |         |                       |
|------------------|---------------|---------|-----------------------|--------|---------|-----------------------|-------------|---------|-----------------------|------------|---------|-----------------------|
|                  | KBAUD         | % ERROR | SPBRG value (decimal) | KBAUD  | % ERROR | SPBRG value (decimal) | KBAUD       | % ERROR | SPBRG value (decimal) | KBAUD      | % ERROR | SPBRG value (decimal) |
| 0.3              | NA            | -       | -                     | NA     | -       | -                     | NA          | -       | -                     | NA         | -       | -                     |
| 1.2              | 1.20          | +0.16   | 207                   | 1.20   | +0.16   | 129                   | 1.20        | +0.23   | 92                    | 1.20       | 0       | 65                    |
| 2.4              | 2.40          | +0.16   | 103                   | 2.40   | +0.16   | 64                    | 2.38        | -0.83   | 46                    | 2.40       | 0       | 32                    |
| 9.6              | 9.62          | +0.16   | 25                    | 9.77   | +1.73   | 15                    | 9.32        | -2.90   | 11                    | 9.90       | +3.13   | 7                     |
| 19.2             | 19.23         | +0.16   | 12                    | 19.53  | +1.73   | 7                     | 18.64       | -2.90   | 5                     | 19.80      | +3.13   | 3                     |
| 76.8             | 83.33         | +8.51   | 2                     | 78.13  | +1.73   | 1                     | 111.86      | +45.65  | 0                     | 79.20      | +3.13   | 0                     |
| 96               | 83.33         | -13.19  | 2                     | 78.13  | -18.62  | 1                     | NA          | -       | -                     | NA         | -       | -                     |
| 300              | 250           | -16.67  | 0                     | 156.25 | -47.92  | 0                     | NA          | -       | -                     | NA         | -       | -                     |
| 500              | NA            | -       | -                     | NA     | -       | -                     | NA          | -       | -                     | NA         | -       | -                     |
| HIGH             | 250           | -       | 0                     | 156.25 | -       | 0                     | 111.86      | -       | 0                     | 79.20      | -       | 0                     |
| LOW              | 0.98          | -       | 255                   | 0.61   | -       | 255                   | 0.44        | -       | 255                   | 0.31       | -       | 255                   |

| BAUD RATE (Kbps) | Fosc = 4 MHz |         |                       | 3.579545 MHz |         |                       | 1 MHz |         |                       | 32.768 kHz |         |                       |
|------------------|--------------|---------|-----------------------|--------------|---------|-----------------------|-------|---------|-----------------------|------------|---------|-----------------------|
|                  | KBAUD        | % ERROR | SPBRG value (decimal) | KBAUD        | % ERROR | SPBRG value (decimal) | KBAUD | % ERROR | SPBRG value (decimal) | KBAUD      | % ERROR | SPBRG value (decimal) |
| 0.3              | 0.30         | -0.16   | 207                   | 0.30         | +0.23   | 185                   | 0.30  | +0.16   | 51                    | 0.26       | -14.67  | 1                     |
| 1.2              | 1.20         | +1.67   | 51                    | 1.19         | -0.83   | 46                    | 1.20  | +0.16   | 12                    | NA         | -       | -                     |
| 2.4              | 2.40         | +1.67   | 25                    | 2.43         | +1.32   | 22                    | 2.23  | -6.99   | 6                     | NA         | -       | -                     |
| 9.6              | 8.93         | -6.99   | 6                     | 9.32         | -2.90   | 5                     | 7.81  | -18.62  | 1                     | NA         | -       | -                     |
| 19.2             | 20.83        | +8.51   | 2                     | 18.64        | -2.90   | 2                     | 15.63 | -18.62  | 0                     | NA         | -       | -                     |
| 76.8             | 62.50        | -18.62  | 0                     | 55.93        | -27.17  | 0                     | NA    | -       | -                     | NA         | -       | -                     |
| 96               | NA           | -       | -                     | NA           | -       | -                     | NA    | -       | -                     | NA         | -       | -                     |
| 300              | NA           | -       | -                     | NA           | -       | -                     | NA    | -       | -                     | NA         | -       | -                     |
| 500              | NA           | -       | -                     | NA           | -       | -                     | NA    | -       | -                     | NA         | -       | -                     |
| HIGH             | 62.50        | -       | 0                     | 55.93        | -       | 0                     | 15.63 | -       | 0                     | 0.51       | -       | 0                     |
| LOW              | 0.24         | -       | 255                   | 0.22         | -       | 255                   | 0.06  | -       | 255                   | 0.002      | -       | 255                   |

# PIC18F6520/8520/6620/8620/6720/8720

**TABLE 18-5: BAUD RATES FOR ASYNCHRONOUS MODE (BRGH = 1)**

| BAUD RATE (Kbps) | Fosc = 40 MHz |         |                       | 33 MHz  |         |                       | 25 MHz  |         |                       | 20 MHz |         |                       |
|------------------|---------------|---------|-----------------------|---------|---------|-----------------------|---------|---------|-----------------------|--------|---------|-----------------------|
|                  | KBAUD         | % ERROR | SPBRG value (decimal) | KBAUD   | % ERROR | SPBRG value (decimal) | KBAUD   | % ERROR | SPBRG value (decimal) | KBAUD  | % ERROR | SPBRG value (decimal) |
| 0.3              | NA            | -       | -                     | NA      | -       | -                     | NA      | -       | -                     | NA     | -       | -                     |
| 1.2              | NA            | -       | -                     | NA      | -       | -                     | NA      | -       | -                     | NA     | -       | -                     |
| 2.4              | NA            | -       | -                     | NA      | -       | -                     | NA      | -       | -                     | NA     | -       | -                     |
| 9.6              | NA            | -       | -                     | 9.60    | -0.07   | 214                   | 9.59    | -0.15   | 162                   | 9.62   | +0.16   | 129                   |
| 19.2             | 19.23         | +0.16   | 129                   | 19.28   | +0.39   | 106                   | 19.30   | +0.47   | 80                    | 19.23  | +0.16   | 64                    |
| 76.8             | 75.76         | -1.36   | 32                    | 76.39   | -0.54   | 26                    | 78.13   | +1.73   | 19                    | 78.13  | +1.73   | 15                    |
| 96               | 96.15         | +0.16   | 25                    | 98.21   | +2.31   | 20                    | 97.66   | +1.73   | 15                    | 96.15  | +0.16   | 12                    |
| 300              | 312.50        | +4.17   | 7                     | 294.64  | -1.79   | 6                     | 312.50  | +4.17   | 4                     | 312.50 | +4.17   | 3                     |
| 500              | 500           | 0       | 4                     | 515.63  | +3.13   | 3                     | 520.83  | +4.17   | 2                     | 416.67 | -16.67  | 2                     |
| HIGH             | 2500          | -       | 0                     | 2062.50 | -       | 0                     | 1562.50 | -       | 0                     | 1250   | -       | 0                     |
| LOW              | 9.77          | -       | 255                   | 8.06    | -       | 255                   | 6.10    | -       | 255                   | 4.88   | -       | 255                   |

| BAUD RATE (Kbps) | Fosc = 16 MHz |         |                       | 10 MHz |         |                       | 7.15909 MHz |         |                       | 5.0688 MHz |         |                       |
|------------------|---------------|---------|-----------------------|--------|---------|-----------------------|-------------|---------|-----------------------|------------|---------|-----------------------|
|                  | KBAUD         | % ERROR | SPBRG value (decimal) | KBAUD  | % ERROR | SPBRG value (decimal) | KBAUD       | % ERROR | SPBRG value (decimal) | KBAUD      | % ERROR | SPBRG value (decimal) |
| 0.3              | NA            | -       | -                     | NA     | -       | -                     | NA          | -       | -                     | NA         | -       | -                     |
| 1.2              | NA            | -       | -                     | NA     | -       | -                     | NA          | -       | -                     | NA         | -       | -                     |
| 2.4              | NA            | -       | -                     | NA     | -       | -                     | 2.41        | +0.23   | 185                   | 2.40       | 0       | 131                   |
| 9.6              | 9.62          | +0.16   | 103                   | 9.62   | +0.16   | 64                    | 9.52        | -0.83   | 46                    | 9.60       | 0       | 32                    |
| 19.2             | 19.23         | +0.16   | 51                    | 18.94  | -1.36   | 32                    | 19.45       | +1.32   | 22                    | 18.64      | -2.94   | 16                    |
| 76.8             | 76.92         | +0.16   | 12                    | 78.13  | +1.73   | 7                     | 74.57       | -2.90   | 5                     | 79.20      | +3.13   | 3                     |
| 96               | 100           | +4.17   | 9                     | 89.29  | -6.99   | 6                     | 89.49       | -6.78   | 4                     | 105.60     | +10.00  | 2                     |
| 300              | 333.33        | +11.11  | 2                     | 312.50 | +4.17   | 1                     | 447.44      | +49.15  | 0                     | 316.80     | +5.60   | 0                     |
| 500              | 500           | 0       | 1                     | 625    | +25.00  | 0                     | 447.44      | -10.51  | 0                     | NA         | -       | -                     |
| HIGH             | 1000          | -       | 0                     | 625    | -       | 0                     | 447.44      | -       | 0                     | 316.80     | -       | 0                     |
| LOW              | 3.91          | -       | 255                   | 2.44   | -       | 255                   | 1.75        | -       | 255                   | 1.24       | -       | 255                   |

| BAUD RATE (Kbps) | Fosc = 4 MHz |         |                       | 3.579545 MHz |         |                       | 1 MHz |         |                       | 32.768 kHz |         |                       |
|------------------|--------------|---------|-----------------------|--------------|---------|-----------------------|-------|---------|-----------------------|------------|---------|-----------------------|
|                  | KBAUD        | % ERROR | SPBRG value (decimal) | KBAUD        | % ERROR | SPBRG value (decimal) | KBAUD | % ERROR | SPBRG value (decimal) | KBAUD      | % ERROR | SPBRG value (decimal) |
| 0.3              | NA           | -       | -                     | NA           | -       | -                     | 0.30  | +0.16   | 207                   | 0.29       | -2.48   | 6                     |
| 1.2              | 1.20         | +0.16   | 207                   | 1.20         | +0.23   | 185                   | 1.20  | +0.16   | 51                    | 1.02       | -14.67  | 1                     |
| 2.4              | 2.40         | +0.16   | 103                   | 2.41         | +0.23   | 92                    | 2.40  | +0.16   | 25                    | 2.05       | -14.67  | 0                     |
| 9.6              | 9.62         | +0.16   | 25                    | 9.73         | +1.32   | 22                    | 8.93  | -6.99   | 6                     | NA         | -       | -                     |
| 19.2             | 19.23        | +0.16   | 12                    | 18.64        | -2.90   | 11                    | 20.83 | +8.51   | 2                     | NA         | -       | -                     |
| 76.8             | NA           | -       | -                     | 74.57        | -2.90   | 2                     | 62.50 | -18.62  | 0                     | NA         | -       | -                     |
| 96               | NA           | -       | -                     | 111.86       | +16.52  | 1                     | NA    | -       | -                     | NA         | -       | -                     |
| 300              | NA           | -       | -                     | 223.72       | -25.43  | 0                     | NA    | -       | -                     | NA         | -       | -                     |
| 500              | NA           | -       | -                     | NA           | -       | -                     | NA    | -       | -                     | NA         | -       | -                     |
| HIGH             | 250          | -       | 0                     | 55.93        | -       | 0                     | 62.50 | -       | 0                     | 2.05       | -       | 0                     |
| LOW              | 0.98         | -       | 255                   | 0.22         | -       | 255                   | 0.24  | -       | 255                   | 0.008      | -       | 255                   |

# PIC18F6520/8520/6620/8620/6720/8720

## 18.2 USART Asynchronous Mode

In this mode, the USARTs use standard Non-Return-to-Zero (NRZ) format (one Start bit, eight or nine data bits and one Stop bit). The most common data format is 8 bits. An on-chip dedicated 8-bit Baud Rate Generator can be used to derive standard baud rate frequencies from the oscillator. The USART transmits and receives the LSb first. The USART's transmitter and receiver are functionally independent, but use the same data format and baud rate. The Baud Rate Generator produces a clock, either 16 or 64 times the bit shift rate, depending on bit BRGH (TXSTAx<2>). Parity is not supported by the hardware, but can be implemented in software (and stored as the ninth data bit). Asynchronous mode is stopped during Sleep.

Asynchronous mode is selected by clearing bit SYNC (TXSTAx<4>).

The USART Asynchronous module consists of the following important elements:

- Baud Rate Generator
- Sampling Circuit
- Asynchronous Transmitter
- Asynchronous Receiver

### 18.2.1 USART ASYNCHRONOUS TRANSMITTER

The USART transmitter block diagram is shown in Figure 18-1. The heart of the transmitter is the Transmit (Serial) Shift Register (TSR). The shift register obtains its data from the Read/Write Transmit Buffer register, TXREGx. The TXREGx register is loaded with data in software. The TSR register is not loaded until the Stop bit has been transmitted from the previous load. As soon as the Stop bit is transmitted, the TSR is loaded with new data from the TXREGx register (if available). Once the TXREGx register transfers the data to the TSR register (occurs in one Tcy), the TXREGx register is empty and flag bit, TXx1IF (PIR1<4> for USART1,

PIR3<4> for USART2), is set. This interrupt can be enabled/disabled by setting/clearing enable bit, TXxIE (PIE1<4> for USART1, PIE<4> for USART2). Flag bit TXxIF will be set, regardless of the state of enable bit TXxIE and cannot be cleared in software. It will reset only when new data is loaded into the TXREGx register. While flag bit TXIF indicates the status of the TXREGx register, another bit, TRMT (TXSTAx<1>), shows the status of the TSR register. Status bit TRMT is a read-only bit, which is set when the TSR register is empty. No interrupt logic is tied to this bit, so the user has to poll this bit in order to determine if the TSR register is empty.

**Note 1:** The TSR register is not mapped in data memory, so it is not available to the user.

**2:** Flag bit TXIF is set when enable bit TXEN is set.

To set up an Asynchronous Transmission:

1. Initialize the SPBRGx register for the appropriate baud rate. If a high-speed baud rate is desired, set bit BRGH (Section 18.1 "USART Baud Rate Generator (BRG)").
2. Enable the asynchronous serial port by clearing bit SYNC and setting bit SPEN.
3. If interrupts are desired, set enable bit TXxIE in the appropriate PIE register.
4. If 9-bit transmission is desired, set transmit bit TX9. Can be used as address/data bit.
5. Enable the transmission by setting bit TXEN, which will also set bit TXxIF.
6. If 9-bit transmission is selected, the ninth bit should be loaded in bit TX9D.
7. Load data to the TXREGx register (starts transmission).

**Note:** TXIF is not cleared immediately upon loading data into the transmit buffer TXREG. The flag bit becomes valid in the second instruction cycle following the load instruction.

**FIGURE 18-1: USART TRANSMIT BLOCK DIAGRAM**



# PIC18F6520/8520/6620/8620/6720/8720

**FIGURE 18-2: ASYNCHRONOUS TRANSMISSION**



**FIGURE 18-3: ASYNCHRONOUS TRANSMISSION (BACK TO BACK)**



**TABLE 18-6: REGISTERS ASSOCIATED WITH ASYNCHRONOUS TRANSMISSION**

| Name                  | Bit 7                        | Bit 6     | Bit 5  | Bit 4  | Bit 3  | Bit 2  | Bit 1  | Bit 0  | Value on POR, BOR | Value on all other Resets |
|-----------------------|------------------------------|-----------|--------|--------|--------|--------|--------|--------|-------------------|---------------------------|
| INTCON                | GIE/GIEH                     | PEIE/GIEL | TMR0IE | INT0IE | RBIE   | TMR0IF | INT0IF | RBIF   | 0000 0000         | 0000 0000                 |
| PIR1                  | PSPIF                        | ADIF      | RC1IF  | TX1IF  | SSPIF  | CCP1IF | TMR2IF | TMR1IF | 0000 0000         | 0000 0000                 |
| PIE1                  | PSPIE                        | ADIE      | RC1IE  | TX1IE  | SSPIE  | CCP1IE | TMR2IE | TMR1IE | 0000 0000         | 0000 0000                 |
| IPR1                  | PSPIP                        | ADIP      | RC1IP  | TX1IP  | SSPIP  | CCP1IP | TMR2IP | TMR1IP | 0111 1111         | 0111 1111                 |
| PIR3                  | —                            | —         | RC2IF  | TX2IF  | TMR4IF | CCP5IF | CCP4IF | CCP3IF | --00 0000         | --00 0000                 |
| PIE3                  | —                            | —         | RC2IE  | TX2IE  | TMR4IE | CCP5IE | CCP4IE | CCP3IE | --00 0000         | --00 0000                 |
| IPR3                  | —                            | —         | RC2IP  | TX2IP  | TMR4IP | CCP5IP | CCP4IP | CCP3IP | --11 1111         | --11 1111                 |
| RCSTAx <sup>(1)</sup> | SPEN                         | RX9       | SREN   | CREN   | ADDEN  | FERR   | OERR   | RX9D   | 0000 000x         | 0000 000x                 |
| TXREGx <sup>(1)</sup> | USART Transmit Register      |           |        |        |        |        |        |        | 0000 0000         | 0000 0000                 |
| TXSTAx <sup>(1)</sup> | CSRC                         | TX9       | TXEN   | SYNC   | —      | BRGH   | TRMT   | TX9D   | 0000 -010         | 0000 -010                 |
| SPBRGx <sup>(1)</sup> | Baud Rate Generator Register |           |        |        |        |        |        |        | 0000 0000         | 0000 0000                 |

**Legend:** x = unknown, — = unimplemented locations read as '0'. Shaded cells are not used for asynchronous transmission.

**Note 1:** Register names generically refer to both of the identically named registers for the two USART modules, where 'x' indicates the particular module. Bit names and Reset values are identical between modules.

# PIC18F6520/8520/6620/8620/6720/8720

## 18.2.2 USART ASYNCHRONOUS RECEIVER

The USART receiver block diagram is shown in Figure 18-4. The data is received on the pin (RC7/RX1/DT1 or RG2/RX2/DT2) and drives the data recovery block. The data recovery block is actually a high-speed shifter operating at 16 times the baud rate, whereas the main receive serial shifter operates at the bit rate or at Fosc. This mode would typically be used in RS-232 systems.

To set up an Asynchronous Reception:

1. Initialize the SPBRG register for the appropriate baud rate. If a high-speed baud rate is desired, set bit BRGH (Section 18.1 “USART Baud Rate Generator (BRG)”).
2. Enable the asynchronous serial port by clearing bit SYNC and setting bit SPEN.
3. If interrupts are desired, set enable bit RCxIE.
4. If 9-bit reception is desired, set bit RX9.
5. Enable the reception by setting bit CREN.
6. Flag bit RCxIF will be set when reception is complete and an interrupt will be generated if enable bit RCxIE was set.
7. Read the RCSTAx register to get the ninth bit (if enabled) and determine if any error occurred during reception.
8. Read the 8-bit received data by reading the RCREG register.
9. If any error occurred, clear the error by clearing enable bit CREN.
10. If using interrupts, ensure that the GIE and PEIE bits in the INTCON register (INTCON<7:6>) are set.

## 18.2.3 SETTING UP 9-BIT MODE WITH ADDRESS DETECT

This mode would typically be used in RS-485 systems. To set up an Asynchronous Reception with Address Detect Enable:

1. Initialize the SPBRGx register for the appropriate baud rate. If a high-speed baud rate is required, set the BRGH bit.
2. Enable the asynchronous serial port by clearing the SYNC bit and setting the SPEN bit.
3. If interrupts are required, set the RCEN bit and select the desired priority level with the RCIP bit.
4. Set the RX9 bit to enable 9-bit reception.
5. Set the ADDEN bit to enable address detect.
6. Enable reception by setting the CREN bit.
7. The RCxIF bit will be set when reception is complete. The interrupt will be Acknowledged if the RCxIE and GIE bits are set.
8. Read the RCSTAx register to determine if any error occurred during reception, as well as read bit 9 of data (if applicable).
9. Read RCREGx to determine if the device is being addressed.
10. If any error occurred, clear the CREN bit.
11. If the device has been addressed, clear the ADDEN bit to allow all received data into the receive buffer and interrupt the CPU.

FIGURE 18-4: USART RECEIVE BLOCK DIAGRAM



# PIC18F6520/8520/6620/8620/6720/8720

**FIGURE 18-5: ASYNCHRONOUS RECEPTION**



**TABLE 18-7: REGISTERS ASSOCIATED WITH ASYNCHRONOUS RECEPTION**

| Name                  | Bit 7                        | Bit 6     | Bit 5  | Bit 4  | Bit 3  | Bit 2  | Bit 1  | Bit 0  | Value on POR, BOR | Value on all other Resets |
|-----------------------|------------------------------|-----------|--------|--------|--------|--------|--------|--------|-------------------|---------------------------|
| INTCON                | GIE/GIEH                     | PEIE/GIEL | TMR0IE | INT0IE | RBIE   | TMR0IF | INT0IF | RBIF   | 0000 0000         | 0000 0000                 |
| PIR1                  | PSPIF                        | ADIF      | RC1IF  | TXIF   | SSPIF  | CCP1IF | TMR2IF | TMR1IF | 0000 0000         | 0000 0000                 |
| PIE1                  | PSPIE                        | ADIE      | RC1IE  | TXIE   | SSPIE  | CCP1IE | TMR2IE | TMR1IE | 0000 0000         | 0000 0000                 |
| IPR1                  | PSPIP                        | ADIP      | RC1IP  | TXIP   | SSPIP  | CCP1IP | TMR2IP | TMR1IP | 0111 1111         | 0111 1111                 |
| PIR3                  | —                            | —         | RC2IF  | TX2IF  | TMR4IF | CCP5IF | CCP4IF | CCP3IF | --00 0000         | --00 0000                 |
| PIE3                  | —                            | —         | RC2IE  | TX2IE  | TMR4IE | CCP5IE | CCP4IE | CCP3IE | --00 0000         | --00 0000                 |
| IPR3                  | —                            | —         | RC2IP  | TX2IP  | TMR4IP | CCP5IP | CCP4IP | CCP3IP | --11 1111         | --11 1111                 |
| RCSTAx <sup>(1)</sup> | SPEN                         | RX9       | SREN   | CREN   | ADDEN  | FERR   | OERR   | RX9D   | 0000 000x         | 0000 000x                 |
| RCREGx <sup>(1)</sup> | USART Receive Register       |           |        |        |        |        |        |        | 0000 0000         | 0000 0000                 |
| TXSTAx <sup>(1)</sup> | CSRC                         | TX9       | TXEN   | SYNC   | —      | BRGH   | TRMT   | TX9D   | 0000 -010         | 0000 -010                 |
| SPBRGx <sup>(1)</sup> | Baud Rate Generator Register |           |        |        |        |        |        |        | 0000 0000         | 0000 0000                 |

**Legend:** x = unknown, — = unimplemented locations read as '0'. Shaded cells are not used for asynchronous reception.

**Note 1:** Register names generically refer to both of the identically named registers for the two USART modules, where 'x' indicates the particular module. Bit names and Reset values are identical between modules.

# PIC18F6520/8520/6620/8620/6720/8720

## 18.3 USART Synchronous Master Mode

In Synchronous Master mode, the data is transmitted in a half-duplex manner (i.e., transmission and reception do not occur at the same time). When transmitting data, the reception is inhibited and vice versa. Synchronous mode is entered by setting bit SYNC (TXSTAx<4>). In addition, enable bit SPEN (RCSTAx<7>) is set in order to configure the appropriate I/O pins to CK (clock) and DT (data) lines, respectively. The Master mode indicates that the processor transmits the master clock on the CK line. The Master mode is entered by setting bit CSRC (TXSTAx<7>).

### 18.3.1 USART SYNCHRONOUS MASTER TRANSMISSION

The USART transmitter block diagram is shown in Figure 18-1. The heart of the transmitter is the Transmit (Serial) Shift Register (TSR). The shift register obtains its data from the Read/Write Transmit Buffer register, TXREG. The TXREGx register is loaded with data in software. The TSR register is not loaded until the last bit has been transmitted from the previous load. As soon as the last bit is transmitted, the TSR is loaded with new data from the TXREGx (if available). Once the TXREGx register transfers the data to the TSR register (occurs in one Tcycle), the TXREGx is empty and interrupt bit TXxIF (PIR1<4> for USART1, PIR3<4> for USART2) is set. The interrupt can be enabled/disabled by setting/clearing enable bit TXxIE (PIE1<4> for USART1, PIE3<4> for USART2). Flag bit TXxIF will be

set, regardless of the state of enable bit TXxIE and cannot be cleared in software. It will reset only when new data is loaded into the TXREGx register. While flag bit TXxIF indicates the status of the TXREGx register, another bit TRMT (TXSTAx<1>) shows the status of the TSR register. TRMT is a read-only bit, which is set when the TSR is empty. No interrupt logic is tied to this bit, so the user has to poll this bit in order to determine if the TSR register is empty. The TSR is not mapped in data memory, so it is not available to the user.

To set up a Synchronous Master Transmission:

1. Initialize the SPBRG register for the appropriate baud rate (**Section 18.1 “USART Baud Rate Generator (BRG)”**).
2. Enable the synchronous master serial port by setting bits SYNC, SPEN and CSRC.
3. If interrupts are desired, set enable bit TXxIE in the appropriate PIE register.
4. If 9-bit transmission is desired, set bit TX9.
5. Enable the transmission by setting bit TXEN.
6. If 9-bit transmission is selected, the ninth bit should be loaded in bit TX9D.
7. Start transmission by loading data to the TXREGx register.

**Note:** TXIF is not cleared immediately upon loading data into the transmit buffer TXREG. The flag bit becomes valid in the second instruction cycle following the load instruction.

**TABLE 18-8: REGISTERS ASSOCIATED WITH SYNCHRONOUS MASTER TRANSMISSION**

| Name                  | Bit 7                        | Bit 6     | Bit 5  | Bit 4  | Bit 3  | Bit 2  | Bit 1  | Bit 0  | Value on POR, BOR | Value on all other Resets |
|-----------------------|------------------------------|-----------|--------|--------|--------|--------|--------|--------|-------------------|---------------------------|
| INTCON                | GIE/GIEH                     | PEIE/GIEL | TMR0IE | INT0IE | RBIE   | TMR0IF | INT0IF | RBIF   | 0000 0000         | 0000 0000                 |
| PIR1                  | PSPIF                        | ADIF      | RCIF   | TXIF   | SSPIF  | CCP1IF | TMR2IF | TMR1IF | 0000 0000         | 0000 0000                 |
| PIE1                  | PSPIE                        | ADIE      | RCIE   | TXIE   | SSPIE  | CCP1IE | TMR2IE | TMR1IE | 0000 0000         | 0000 0000                 |
| IPR1                  | PSPIP                        | ADIP      | RCIP   | TXIP   | SSPIP  | CCP1IP | TMR2IP | TMR1IP | 0111 1111         | 0111 1111                 |
| PIR3                  | —                            | —         | RC2IF  | TX2IF  | TMR4IF | CCP5IF | CCP4IF | CCP3IF | --00 0000         | --00 0000                 |
| PIE3                  | —                            | —         | RC2IE  | TX2IE  | TMR4IE | CCP5IE | CCP4IE | CCP3IE | --00 0000         | --00 0000                 |
| IPR3                  | —                            | —         | RC2IP  | TX2IP  | TMR4IP | CCP5IP | CCP4IP | CCP3IP | --11 1111         | --11 1111                 |
| RCSTAx <sup>(1)</sup> | SPEN                         | RX9       | SREN   | CREN   | ADDEN  | FERR   | OERR   | RX9D   | 0000 000x         | 0000 000x                 |
| TXREGx <sup>(1)</sup> | USART Transmit Register      |           |        |        |        |        |        |        | 0000 0000         | 0000 0000                 |
| TXSTAx <sup>(1)</sup> | CSRC                         | TX9       | TXEN   | SYNC   | —      | BRGH   | TRMT   | TX9D   | 0000 -010         | 0000 -010                 |
| SPBRGx <sup>(1)</sup> | Baud Rate Generator Register |           |        |        |        |        |        |        | 0000 0000         | 0000 0000                 |

**Legend:** x = unknown, — = unimplemented, read as '0'. Shaded cells are not used for synchronous master transmission.

**Note 1:** Register names generically refer to both of the identically named registers for the two USART modules, where 'x' indicates the particular module. Bit names and Reset values are identical between modules.



# PIC18F6520/8520/6620/8620/6720/8720

**FIGURE 18-6: SYNCHRONOUS TRANSMISSION**



**FIGURE 18-7: SYNCHRONOUS TRANSMISSION (THROUGH TXEN)**



# PIC18F6520/8520/6620/8620/6720/8720

## 18.3.2 USART SYNCHRONOUS MASTER RECEPTION

Once Synchronous mode is selected, reception is enabled by setting either enable bit SREN (RCSTAx<5>) or enable bit CREN (RCSTAx<4>). Data is sampled on the RXx pin (RC7/RX1/DT1 or RG2/RX2/DT2) on the falling edge of the clock. If enable bit SREN is set, only a single word is received. If enable bit CREN is set, the reception is continuous until CREN is cleared. If both bits are set, then CREN takes precedence.

To set up a Synchronous Master Reception:

1. Initialize the SPBRGx register for the appropriate baud rate (**Section 18.1 “USART Baud Rate Generator (BRG)”**).
2. Enable the synchronous master serial port by setting bits SYNC, SPEN and CSRC.
3. Ensure bits CREN and SREN are clear.
4. If interrupts are desired, set enable bit RCxIE in the appropriate PIE register.
5. If 9-bit reception is desired, set bit RX9.
6. If a single reception is required, set bit SREN. For continuous reception, set bit CREN.
7. Interrupt flag bit RCxIF will be set when reception is complete and an interrupt will be generated if the enable bit RCxIE was set.
8. Read the RCSTAx register to get the ninth bit (if enabled) and determine if any error occurred during reception.
9. Read the 8-bit received data by reading the RCREGx register.
10. If any error occurred, clear the error by clearing bit CREN.
11. If using interrupts, ensure that the GIE and PEIE bits in the INTCON register (INTCON<7:6>) are set.

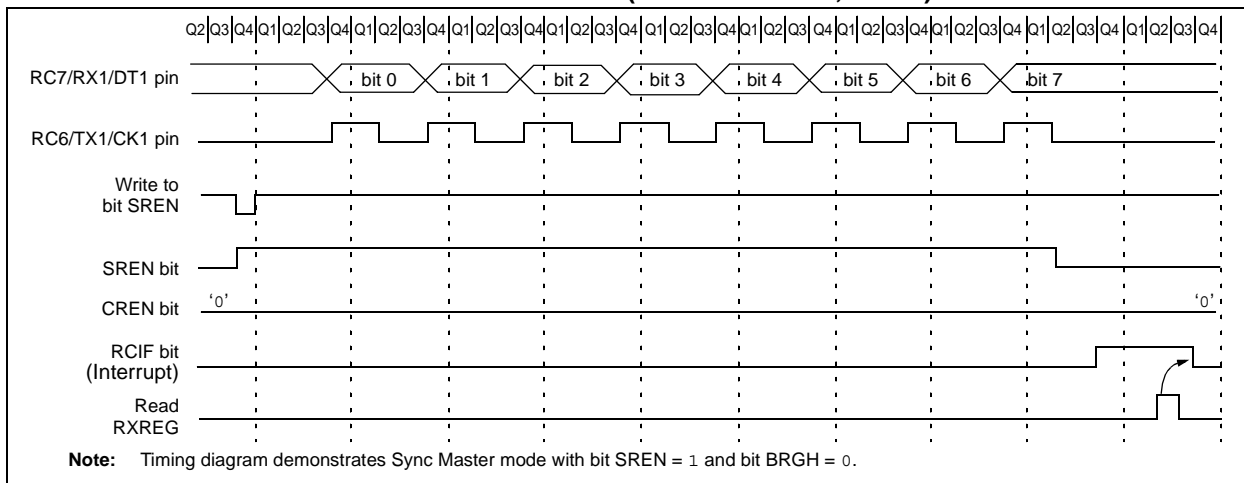
**TABLE 18-9: REGISTERS ASSOCIATED WITH SYNCHRONOUS MASTER RECEPTION**

| Name                  | Bit 7                        | Bit 6     | Bit 5  | Bit 4  | Bit 3  | Bit 2  | Bit 1  | Bit 0  | Value on POR, BOR | Value on all other Resets |
|-----------------------|------------------------------|-----------|--------|--------|--------|--------|--------|--------|-------------------|---------------------------|
| INTCON                | GIE/GIEH                     | PEIE/GIEL | TMR0IE | INT0IE | RBIE   | TMR0IF | INT0IF | RBIF   | 0000 0000         | 0000 0000                 |
| PIR1                  | PSPIF                        | ADIF      | RC1IF  | TX1IF  | SSPIF  | CCP1IF | TMR2IF | TMR1IF | 0000 0000         | 0000 0000                 |
| PIE1                  | PSPIE                        | ADIE      | RC1IE  | TX1IE  | SSPIE  | CCP1IE | TMR2IE | TMR1IE | 0000 0000         | 0000 0000                 |
| IPR1                  | PSPIP                        | ADIP      | RC1IP  | TX1IP  | SSPIP  | CCP1IP | TMR2IP | TMR1IP | 0111 1111         | 0111 1111                 |
| PIR3                  | —                            | —         | RC2IF  | TX2IF  | TMR4IF | CCP5IF | CCP4IF | CCP3IF | --00 0000         | --00 0000                 |
| PIE3                  | —                            | —         | RC2IE  | TX2IE  | TMR4IE | CCP5IE | CCP4IE | CCP3IE | --00 0000         | --00 0000                 |
| IPR3                  | —                            | —         | RC2IP  | TX2IP  | TMR4IP | CCP5IP | CCP4IP | CCP3IP | --11 1111         | --11 1111                 |
| RCSTAx <sup>(1)</sup> | SPEN                         | RX9       | SREN   | CREN   | ADDEN  | FERR   | OERR   | RX9D   | 0000 000x         | 0000 000x                 |
| RCREGx <sup>(1)</sup> | USART Receive Register       |           |        |        |        |        |        |        | 0000 0000         | 0000 0000                 |
| TXSTAx <sup>(1)</sup> | CSRC                         | TX9       | TXEN   | SYNC   | —      | BRGH   | TRMT   | TX9D   | 0000 -010         | 0000 -010                 |
| SPBRGx <sup>(1)</sup> | Baud Rate Generator Register |           |        |        |        |        |        |        | 0000 0000         | 0000 0000                 |

**Legend:** x = unknown, – = unimplemented, read as ‘0’. Shaded cells are not used for synchronous master reception.

**Note 1:** Register names generically refer to both of the identically named registers for the two USART modules, where ‘x’ indicates the particular module. Bit names and Reset values are identical between modules.

**FIGURE 18-8: SYNCHRONOUS RECEPTION (MASTER MODE, SREN)**



# PIC18F6520/8520/6620/8620/6720/8720

## 18.4 USART Synchronous Slave Mode

Synchronous Slave mode differs from the Master mode in the fact that the shift clock is supplied externally at the TXx pin (RC6/TX1/CK1 or RG1/TX2/CK2), instead of being supplied internally in Master mode. TRISC<6> must be set for this mode. This allows the device to transfer or receive data while in Sleep mode. Slave mode is entered by clearing bit CSRC (TXSTAx<7>).

### 18.4.1 USART SYNCHRONOUS SLAVE TRANSMIT

The operation of the Synchronous Master and Slave modes are identical, except in the case of the Sleep mode.

If two words are written to the TXREG and then the SLEEP instruction is executed, the following will occur:

- The first word will immediately transfer to the TSR register and transmit.
- The second word will remain in TXREG register.
- Flag bit TXxIF will not be set.
- When the first word has been shifted out of TSR, the TXREGx register will transfer the second word to the TSR and flag bit TXxIF will now be set.
- If enable bit TXxIE is set, the interrupt will wake the chip from Sleep. If the global interrupt is enabled, the program will branch to the interrupt vector.

To set up a Synchronous Slave Transmission:

- Enable the synchronous slave serial port by setting bits SYNC and SPEN and clearing bit CSRC.
- Clear bits CREN and SREN.
- If interrupts are desired, set enable bit TXxIE.
- If 9-bit transmission is desired, set bit TX9.
- Enable the transmission by setting enable bit TXEN.
- If 9-bit transmission is selected, the ninth bit should be loaded in bit TX9D.
- Start transmission by loading data to the TXREGx register.
- If using interrupts, ensure that the GIE and PEIE bits in the INTCON register (INTCON<7:6>) are set.

**TABLE 18-10: REGISTERS ASSOCIATED WITH SYNCHRONOUS SLAVE TRANSMISSION**

| Name                  | Bit 7                        | Bit 6         | Bit 5  | Bit 4  | Bit 3  | Bit 2  | Bit 1  | Bit 0  | Value on POR, BOR | Value on all other Resets |
|-----------------------|------------------------------|---------------|--------|--------|--------|--------|--------|--------|-------------------|---------------------------|
| INTCON                | GIE/<br>GIEH                 | PEIE/<br>GIEL | TMR0IE | INT0IE | RBIE   | TMR0IF | INT0IF | RBIF   | 0000 0000         | 0000 0000                 |
| PIR1                  | PSPIF                        | ADIF          | RC1IF  | TX1IF  | SSPIF  | CCP1IF | TMR2IF | TMR1IF | 0000 0000         | 0000 0000                 |
| PIE1                  | PSPIE                        | ADIE          | RC1IE  | TX1IE  | SSPIE  | CCP1IE | TMR2IE | TMR1IE | 0000 0000         | 0000 0000                 |
| IPR1                  | PSPIP                        | ADIP          | RC1IP  | TX1IP  | SSPIP  | CCP1IP | TMR2IP | TMR1IP | 0111 1111         | 0111 1111                 |
| PIR3                  | —                            | —             | RC2IF  | TX2IF  | TMR4IF | CCP5IF | CCP4IF | CCP3IF | --00 0000         | --00 0000                 |
| PIE3                  | —                            | —             | RC2IE  | TX2IE  | TMR4IE | CCP5IE | CCP4IE | CCP3IE | --00 0000         | --00 0000                 |
| IPR3                  | —                            | —             | RC2IP  | TX2IP  | TMR4IP | CCP5IP | CCP4IP | CCP3IP | --11 1111         | --11 1111                 |
| RCSTAx <sup>(1)</sup> | SPEN                         | RX9           | SREN   | CREN   | ADDEN  | FERR   | OERR   | RX9D   | 0000 000x         | 0000 000x                 |
| TXREGx <sup>(1)</sup> | USART Transmit Register      |               |        |        |        |        |        |        | 0000 0000         | 0000 0000                 |
| TXSTAx <sup>(1)</sup> | CSRC                         | TX9           | TXEN   | SYNC   | —      | BRGH   | TRMT   | TX9D   | 0000 -010         | 0000 -010                 |
| SPBRGx <sup>(1)</sup> | Baud Rate Generator Register |               |        |        |        |        |        |        | 0000 0000         | 0000 0000                 |

**Legend:** x = unknown, — = unimplemented, read as '0'. Shaded cells are not used for synchronous slave transmission.

**Note 1:** Register names generically refer to both of the identically named registers for the two USART modules, where 'x' indicates the particular module. Bit names and Reset values are identical between modules.

# PIC18F6520/8520/6620/8620/6720/8720

## 18.4.2 USART SYNCHRONOUS SLAVE RECEPTION

The operation of the Synchronous Master and Slave modes is identical, except in the case of the Sleep mode and bit SREN, which is a “don’t care” in Slave mode.

If receive is enabled by setting bit CREN prior to the SLEEP instruction, then a word may be received during Sleep. On completely receiving the word, the RSR register will transfer the data to the RCREG register and if enable bit RCxIE bit is set, the interrupt generated will wake the chip from Sleep. If the global interrupt is enabled, the program will branch to the interrupt vector.

To set up a Synchronous Slave Reception:

1. Enable the synchronous master serial port by setting bits SYNC and SPEN and clearing bit CSRC.
2. If interrupts are desired, set enable bit RCxIE.
3. If 9-bit reception is desired, set bit RX9.
4. To enable reception, set enable bit CREN.
5. Flag bit RCxIF will be set when reception is complete. An interrupt will be generated if enable bit RCxIE was set.
6. Read the RCSTAx register to get the ninth bit (if enabled) and determine if any error occurred during reception.
7. Read the 8-bit received data by reading the RCREGx register.
8. If any error occurred, clear the error by clearing bit CREN.
9. If using interrupts, ensure that the GIE and PEIE bits in the INTCON register (INTCON<7:6>) are set.

**TABLE 18-11: REGISTERS ASSOCIATED WITH SYNCHRONOUS SLAVE RECEPTION**

| Name                  | Bit 7                        | Bit 6         | Bit 5  | Bit 4  | Bit 3  | Bit 2  | Bit 1  | Bit 0  | Value on POR, BOR | Value on all other Resets |
|-----------------------|------------------------------|---------------|--------|--------|--------|--------|--------|--------|-------------------|---------------------------|
| INTCON                | GIE/<br>GIEH                 | PEIE/<br>GIEL | TMR0IE | INT0IE | RBIE   | TMR0IF | INT0IF | RBIF   | 0000 0000         | 0000 0000                 |
| PIR1                  | PSPIF                        | ADIF          | RC1IF  | TX1IF  | SSPIF  | CCP1IF | TMR2IF | TMR1IF | 0000 0000         | 0000 0000                 |
| PIE1                  | PSPIE                        | ADIE          | RC1IE  | TX1IE  | SSPIE  | CCP1IE | TMR2IE | TMR1IE | 0000 0000         | 0000 0000                 |
| IPR1                  | PSPIP                        | ADIP          | RC1IP  | TX1IP  | SSPIP  | CCP1IP | TMR2IP | TMR1IP | 0111 1111         | 0111 1111                 |
| PIR3                  | —                            | —             | RC2IF  | TX2IF  | TMR4IF | CCP5IF | CCP4IF | CCP3IF | --00 0000         | --00 0000                 |
| PIE3                  | —                            | —             | RC2IE  | TX2IE  | TMR4IE | CCP5IE | CCP4IE | CCP3IE | --00 0000         | --00 0000                 |
| IPR3                  | —                            | —             | RC2IP  | TX2IP  | TMR4IP | CCP5IP | CCP4IP | CCP3IP | --11 1111         | --11 1111                 |
| RCSTAx <sup>(1)</sup> | SPEN                         | RX9           | SREN   | CREN   | ADDEN  | FERR   | OERR   | RX9D   | 0000 000x         | 0000 000x                 |
| RCREGx <sup>(1)</sup> | USART Receive Register       |               |        |        |        |        |        |        | 0000 0000         | 0000 0000                 |
| TXSTAx <sup>(1)</sup> | CSRC                         | TX9           | TXEN   | SYNC   | —      | BRGH   | TRMT   | TX9D   | 0000 -010         | 0000 -010                 |
| SPBRGx <sup>(1)</sup> | Baud Rate Generator Register |               |        |        |        |        |        |        | 0000 0000         | 0000 0000                 |

**Legend:** x = unknown, – = unimplemented, read as ‘0’. Shaded cells are not used for synchronous slave reception.

**Note 1:** Register names generically refer to both of the identically named registers for the two USART modules, where ‘x’ indicates the particular module. Bit names and Reset values are identical between modules.

# PIC18F6520/8520/6620/8620/6720/8720

## 19.0 10-BIT ANALOG-TO-DIGITAL CONVERTER (A/D) MODULE

The analog-to-digital (A/D) converter module has 12 inputs for the PIC18F6X20 devices and 16 for the PIC18F8X20 devices. This module allows conversion of an analog input signal to a corresponding 10-bit digital number.

The module has five registers:

- A/D Result High Register (ADRESH)
- A/D Result Low Register (ADRESL)
- A/D Control Register 0 (ADCON0)
- A/D Control Register 1 (ADCON1)
- A/D Control Register 2 (ADCON2)

The ADCON0 register, shown in Register 19-1, controls the operation of the A/D module. The ADCON1 register, shown in Register 19-2, configures the functions of the port pins. The ADCON2 register, shown in Register 19-3, configures the A/D clock source and justification.

### REGISTER 19-1: ADCON0 REGISTER

|       |     |       |       |       |       |         |       |       |
|-------|-----|-------|-------|-------|-------|---------|-------|-------|
| U-0   | U-0 | R/W-0 | R/W-0 | R/W-0 | R/W-0 | R/W-0   | R/W-0 |       |
| —     | —   | CHS3  | CHS2  | CHS1  | CHS0  | GO/DONE | ADON  |       |
| bit 7 |     |       |       |       |       |         |       | bit 0 |

bit 7-6 **Unimplemented:** Read as '0'

bit 5-2 **CHS3:CHS0:** Analog Channel Select bits

- 0000 = Channel 0 (AN0)
- 0001 = Channel 1 (AN1)
- 0010 = Channel 2 (AN2)
- 0011 = Channel 3 (AN3)
- 0100 = Channel 4 (AN4)
- 0101 = Channel 5 (AN5)
- 0110 = Channel 6 (AN6)
- 0111 = Channel 7 (AN7)
- 1000 = Channel 8 (AN8)
- 1001 = Channel 9 (AN9)
- 1010 = Channel 10 (AN10)
- 1011 = Channel 11 (AN11)
- 1100 = Channel 12 (AN12)<sup>(1)</sup>
- 1101 = Channel 13 (AN13)<sup>(1)</sup>
- 1110 = Channel 14 (AN14)<sup>(1)</sup>
- 1111 = Channel 15 (AN15)<sup>(1)</sup>

**Note 1:** These channels are not available on the PIC18F6X20 (64-pin) devices.

bit 1 **GO/DONE:** A/D Conversion Status bit

When **ADON = 1:**

- 1 = A/D conversion in progress (setting this bit starts the A/D conversion, which is automatically cleared by hardware when the A/D conversion is complete)
- 0 = A/D conversion not in progress

bit 0 **ADON:** A/D On bit

- 1 = A/D converter module is enabled
- 0 = A/D converter module is disabled

#### Legend:

|                    |                  |  |
|--------------------|------------------|--|
| R = Readable bit   | W = Writable bit | U = Unimplemented bit, read as '0'         |
| - n = Value at POR | '1' = Bit is set | '0' = Bit is cleared    x = Bit is unknown |

# PIC18F6520/8520/6620/8620/6720/8720

## REGISTER 19-2: ADCON1 REGISTER

|       |     |       |       |       |       |       |       |       |
|-------|-----|-------|-------|-------|-------|-------|-------|-------|
| U-0   | U-0 | R/W-0 | R/W-0 | R/W-0 | R/W-0 | R/W-0 | R/W-0 |       |
| —     | —   | VCFG1 | VCFG0 | PCFG3 | PCFG2 | PCFG1 | PCFG0 |       |
| bit 7 |     |       |       |       |       |       |       | bit 0 |

bit 7-6 **Unimplemented:** Read as '0'

bit 5-4 **VCFG1:VCFG0:** Voltage Reference Configuration bits:

| VCFG1<br>VCFG0 | A/D VREF+      | A/D VREF-      |
|----------------|----------------|----------------|
| 00             | AVDD           | AVSS           |
| 01             | External VREF+ | AVSS           |
| 10             | AVDD           | External VREF- |
| 11             | External VREF+ | External VREF- |

bit 3-0 **PCFG3:PCFG0:** A/D Port Configuration Control bits:

| PCFG3<br>PCFG0 | AN15 | AN14 | AN13 | AN12 | AN11 | AN10 | AN9 | AN8 | AN7 | AN6 | AN5 | AN4 | AN3 | AN2 | AN1 | AN0 |
|----------------|------|------|------|------|------|------|-----|-----|-----|-----|-----|-----|-----|-----|-----|-----|
| 0000           | A    | A    | A    | A    | A    | A    | A   | A   | A   | A   | A   | A   | A   | A   | A   | A   |
| 0001           | D    | D    | A    | A    | A    | A    | A   | A   | A   | A   | A   | A   | A   | A   | A   | A   |
| 0010           | D    | D    | D    | A    | A    | A    | A   | A   | A   | A   | A   | A   | A   | A   | A   | A   |
| 0011           | D    | D    | D    | D    | A    | A    | A   | A   | A   | A   | A   | A   | A   | A   | A   | A   |
| 0100           | D    | D    | D    | D    | D    | A    | A   | A   | A   | A   | A   | A   | A   | A   | A   | A   |
| 0101           | D    | D    | D    | D    | D    | D    | A   | A   | A   | A   | A   | A   | A   | A   | A   | A   |
| 0110           | D    | D    | D    | D    | D    | D    | D   | A   | A   | A   | A   | A   | A   | A   | A   | A   |
| 0111           | D    | D    | D    | D    | D    | D    | D   | D   | A   | A   | A   | A   | A   | A   | A   | A   |
| 1000           | D    | D    | D    | D    | D    | D    | D   | D   | D   | A   | A   | A   | A   | A   | A   | A   |
| 1001           | D    | D    | D    | D    | D    | D    | D   | D   | D   | D   | A   | A   | A   | A   | A   | A   |
| 1010           | D    | D    | D    | D    | D    | D    | D   | D   | D   | D   | D   | A   | A   | A   | A   | A   |
| 1011           | D    | D    | D    | D    | D    | D    | D   | D   | D   | D   | D   | D   | A   | A   | A   | A   |
| 1100           | D    | D    | D    | D    | D    | D    | D   | D   | D   | D   | D   | D   | D   | A   | A   | A   |
| 1101           | D    | D    | D    | D    | D    | D    | D   | D   | D   | D   | D   | D   | D   | D   | A   | A   |
| 1110           | D    | D    | D    | D    | D    | D    | D   | D   | D   | D   | D   | D   | D   | D   | D   | A   |
| 1111           | D    | D    | D    | D    | D    | D    | D   | D   | D   | D   | D   | D   | D   | D   | D   | D   |

A = Analog input      D = Digital I/O

**Note:** Shaded cells indicate A/D channels available only on PIC18F8X20 devices.

|                    |                  |                                    |                    |
|--------------------|------------------|------------------------------------|--------------------|
| <b>Legend:</b>     |                  |                                    |                    |
| R = Readable bit   | W = Writable bit | U = Unimplemented bit, read as '0' |                    |
| - n = Value at POR | '1' = Bit is set | '0' = Bit is cleared               | x = Bit is unknown |

# PIC18F6520/8520/6620/8620/6720/8720

## REGISTER 19-3: ADCON2 REGISTER

|       |     |     |     |     |       |       |       |
|-------|-----|-----|-----|-----|-------|-------|-------|
| R/W-0 | U-0 | U-0 | U-0 | U-0 | R/W-0 | R/W-0 | R/W-0 |
| ADFM  | —   | —   | —   | —   | ADCS2 | ADCS1 | ADCS0 |
| bit 7 |     |     |     |     |       |       | bit 0 |

- bit 7      **ADFM:** A/D Result Format Select bit  
1 = Right justified  
0 = Left justified
- bit 6-3    **Unimplemented:** Read as '0'
- bit 2-0    **ADCS1:ADCS0:** A/D Conversion Clock Select bits  
000 = Fosc/2  
001 = Fosc/8  
010 = Fosc/32  
011 = FRC (clock derived from an RC oscillator = 1 MHz max)  
100 = Fosc/4  
101 = Fosc/16  
110 = Fosc/64  
111 = FRC (clock derived from an RC oscillator = 1 MHz max)

|                    |                  |                                    |                    |
|--------------------|------------------|------------------------------------|--------------------|
| <b>Legend:</b>     |                  |                                    |                    |
| R = Readable bit   | W = Writable bit | U = Unimplemented bit, read as '0' |                    |
| - n = Value at POR | '1' = Bit is set | '0' = Bit is cleared               | x = Bit is unknown |

The analog reference voltage is software selectable to either the device's positive and negative supply voltage (VDD and VSS), or the voltage level on the RA3/AN3/VREF+ pin and RA2/AN2/VREF- pin.

The A/D converter has a unique feature of being able to operate while the device is in Sleep mode. To operate in Sleep, the A/D conversion clock must be derived from the A/D's internal RC oscillator.

The output of the sample and hold is the input into the converter, which generates the result via successive approximation.

A device Reset forces all registers to their Reset state. This forces the A/D module to be turned off and any conversion is aborted.

Each port pin associated with the A/D converter can be configured as an analog input (RA3 can also be a voltage reference), or as a digital I/O. The ADRESH and ADRESL registers contain the result of the A/D conversion. When the A/D conversion is complete, the result is loaded into the ADRESH/ADRESL registers, the GO/DONE bit (ADCON0 register) is cleared and A/D interrupt flag bit, ADIF, is set. The block diagram of the A/D module is shown in Figure 19-1.

# PIC18F6520/8520/6620/8620/6720/8720

FIGURE 19-1: A/D BLOCK DIAGRAM





# PIC18F6520/8520/6620/8620/6720/8720

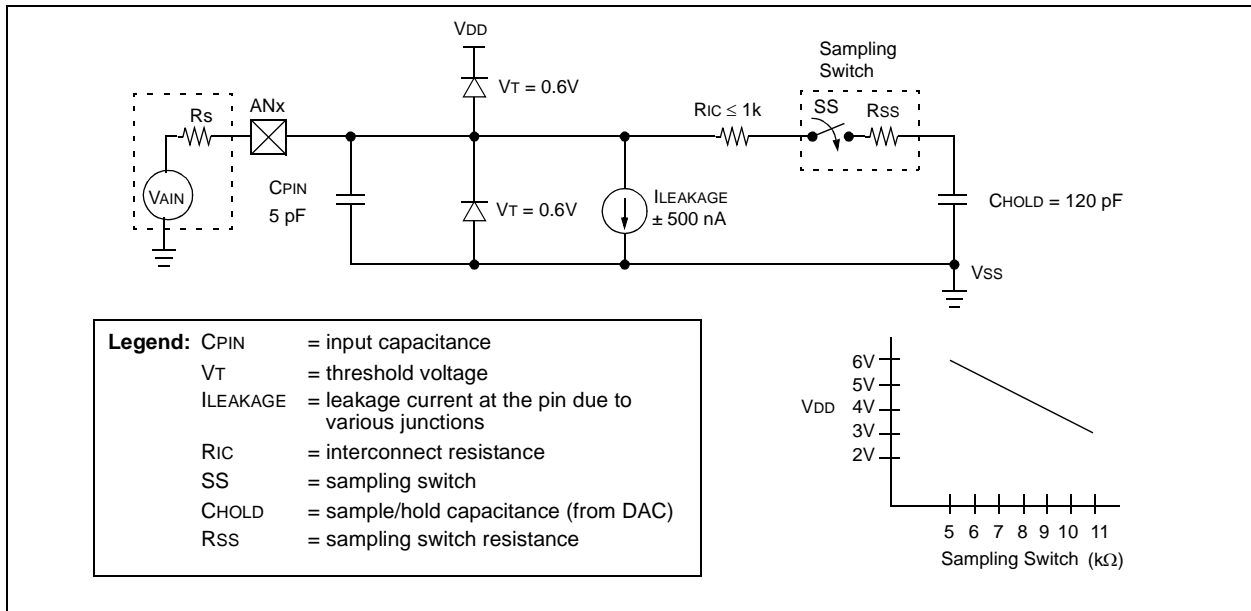
The value in the ADRESH/ADRESL registers is not modified for a Power-on Reset. The ADRESH/ADRESL registers will contain unknown data after a Power-on Reset.

After the A/D module has been configured as desired, the selected channel must be acquired before the conversion is started. The analog input channels must have their corresponding TRIS bits selected as an input. To determine acquisition time, see **Section 19.1 “A/D Acquisition Requirements”**. After this acquisition time has elapsed, the A/D conversion can be started.

The following steps should be followed to do an A/D conversion:

1. Configure the A/D module:
  - Configure analog pins, voltage reference and digital I/O (ADCON1)
  - Select A/D input channel (ADCON0)
  - Select A/D conversion clock (ADCON2)
  - Turn on A/D module (ADCON0)
2. Configure A/D interrupt (if desired):
  - Clear ADIF bit
  - Set ADIE bit
  - Set GIE bit
3. Wait the required acquisition time.
4. Start conversion:
  - Set  $\overline{\text{GO/DONE}}$  bit (ADCON0 register)
5. Wait for A/D conversion to complete, by either:
  - Polling for the  $\overline{\text{GO/DONE}}$  bit to be cleared OR
  - Waiting for the A/D interrupt
6. Read A/D Result registers (ADRESH:ADRESL); clear bit ADIF, if required.
7. For the next conversion, go to step 1 or step 2, as required. The A/D conversion time per bit is defined as  $T_{AD}$ . A minimum wait of 2  $T_{AD}$  is required before the next acquisition starts.

**FIGURE 19-2: ANALOG INPUT MODEL**



# PIC18F6520/8520/6620/8620/6720/8720

## 19.1 A/D Acquisition Requirements

For the A/D converter to meet its specified accuracy, the charge holding capacitor (CHOLD) must be allowed to fully charge to the input channel voltage level. The analog input model is shown in Figure 19-2. The source impedance (Rs) and the internal sampling switch (Rss) impedance directly affect the time required to charge the capacitor CHOLD. The sampling switch (Rss) impedance varies over the device voltage (VDD). The source impedance affects the offset voltage at the analog input (due to pin leakage current). **The maximum recommended impedance for analog sources is 2.5 kΩ.** After the analog input channel is selected (changed), this acquisition must be done before the conversion can be started.

**Note:** When the conversion is started, the holding capacitor is disconnected from the input pin.

To calculate the minimum acquisition time, Equation 19-1 may be used. This equation assumes that 1/2 LSB error is used (1024 steps for the A/D). The 1/2 LSB error is the maximum error allowed for the A/D to meet its specified resolution.

Example 19-1 shows the calculation of the minimum required acquisition time, TACQ. This calculation is based on the following application system assumptions:

|                  |   |                    |
|------------------|---|--------------------|
| CHOLD            | = | 120 pF             |
| Rs               | = | 2.5 kΩ             |
| Conversion Error | ≤ | 1/2 LSB            |
| VDD              | = | 5V → Rss = 7 kΩ    |
| Temperature      | = | 50°C (system max.) |
| VHOLD            | = | 0V @ time = 0      |

**Note:** When using external voltage references with the A/D converter, the source impedance of the external voltage references must be less than 20Ω to obtain the A/D performance specified in parameters A01-A06. Higher reference source impedances will increase both offset and gain errors. Resistive voltage dividers will not provide a sufficiently low source impedance.

To maintain the best possible performance in A/D conversions, external VREF inputs should be buffered with an operational amplifier or other low output impedance circuit.

If deviating from the operating conditions specified for parameters A03-A06, the effect of parameter A50 (VREF input current) must be considered.

### EQUATION 19-1: ACQUISITION TIME

$$\begin{aligned} TACQ &= \text{Amplifier Settling Time} + \text{Holding Capacitor Charging Time} + \text{Temperature Coefficient} \\ &= TAMP + TC + TCOFF \end{aligned}$$

### EQUATION 19-2: A/D MINIMUM CHARGING TIME

$$\begin{aligned} VHOLD &= (VREF - (VREF/2048)) \cdot (1 - e^{-(Tc/CHOLD)(RIC + RSS + RS)}) \\ \text{or} \\ TC &= -(120 \text{ pF})(1 \text{ k}\Omega + RSS + RS) \ln(1/2047) \end{aligned}$$

### EXAMPLE 19-1: CALCULATING THE MINIMUM REQUIRED ACQUISITION TIME

$$\begin{aligned} TACQ &= TAMP + TC + TCOFF \\ \text{Temperature coefficient is only required for temperatures } > 25^\circ\text{C.} \\ TACQ &= 2 \mu\text{s} + TC + [(Temp - 25^\circ\text{C})(0.05 \mu\text{s}/^\circ\text{C})] \\ TC &= -CHOLD (RIC + RSS + RS) \ln(1/2047) \\ &= -120 \text{ pF} (1 \text{ k}\Omega + 7 \text{ k}\Omega + 2.5 \text{ k}\Omega) \ln(0.0004885) \\ &= -120 \text{ pF} (10.5 \text{ k}\Omega) \ln(0.0004885) \\ &= -1.26 \mu\text{s} (-7.6241) \\ &= 9.61 \mu\text{s} \\ TACQ &= 2 \mu\text{s} + 9.61 \mu\text{s} + [(50^\circ\text{C} - 25^\circ\text{C})(0.05 \mu\text{s}/^\circ\text{C})] \\ &= 11.61 \mu\text{s} + 1.25 \mu\text{s} \\ &= 12.86 \mu\text{s} \end{aligned}$$

# PIC18F6520/8520/6620/8620/6720/8720

## 19.2 Selecting the A/D Conversion Clock

The A/D conversion time per bit is defined as  $T_{AD}$ . The A/D conversion requires 12  $T_{AD}$  per 10-bit conversion. The source of the A/D conversion clock is software selectable. There are seven possible options for  $T_{AD}$ :

- 2  $T_{OSC}$
- 4  $T_{OSC}$
- 8  $T_{OSC}$
- 16  $T_{OSC}$
- 32  $T_{OSC}$
- 64  $T_{OSC}$
- Internal RC oscillator

For correct A/D conversions, the A/D conversion clock ( $T_{AD}$ ) must be selected to ensure a minimum  $T_{AD}$  time of 1.6  $\mu\text{s}$ .

Table 19-1 shows the resultant  $T_{AD}$  times derived from the device operating frequencies and the A/D clock source selected.

## 19.3 Configuring Analog Port Pins

The  $ADCON1$ ,  $TRISA$ ,  $TRISF$  and  $TRISH$  registers control the operation of the A/D port pins. The port pins needed as analog inputs must have their corresponding TRIS bits set (input). If the TRIS bit is cleared (output), the digital output level ( $V_{OH}$  or  $V_{OL}$ ) will be converted.

The A/D operation is independent of the state of the  $CHS3:CHS0$  bits and the TRIS bits.

**Note 1:** When reading the port register, all pins configured as analog input channels will read as cleared (a low level). Pins configured as digital inputs will convert as an analog input. Analog levels on a digitally configured input will not affect the conversion accuracy.

**2:** Analog levels on any pin defined as a digital input may cause the input buffer to consume current out of the device's specification limits.

**TABLE 19-1:  $T_{AD}$  vs. DEVICE OPERATING FREQUENCIES**

| AD Clock Source ( $T_{AD}$ ) |             | Maximum Device Frequency |             |
|------------------------------|-------------|--------------------------|-------------|
| Operation                    | ADCS2:ADCS0 | PIC18FXX20               | PIC18LFXX20 |
| 2 $T_{OSC}$                  | 000         | 1.25 MHz                 | 666 kHz     |
| 4 $T_{OSC}$                  | 100         | 2.50 MHz                 | 1.33 MHz    |
| 8 $T_{OSC}$                  | 001         | 5.00 MHz                 | 2.67 MHz    |
| 16 $T_{OSC}$                 | 101         | 10.0 MHz                 | 5.33 MHz    |
| 32 $T_{OSC}$                 | 010         | 20.0 MHz                 | 10.67 MHz   |
| 64 $T_{OSC}$                 | 110         | 40.0 MHz                 | 21.33 MHz   |
| RC                           | x11         | —                        | —           |

# PIC18F6520/8520/6620/8620/6720/8720

## 19.4 A/D Conversions

Figure 19-3 shows the operation of the A/D converter after the GO bit has been set. Clearing the GO/DONE bit during a conversion will abort the current conversion. The A/D Result register pair will NOT be updated with the partially completed A/D conversion sample. That is, the ADRESH:ADRESL registers will continue to contain the value of the last completed conversion (or the last value written to the ADRESH:ADRESL registers). After the A/D conversion is aborted, a 2 TAD wait is required before the next acquisition is started. After this 2 TAD wait, acquisition on the selected channel is automatically started.

**Note:** The GO/DONE bit should **NOT** be set in the same instruction that turns on the A/D.

## 19.5 Use of the CCP2 Trigger

An A/D conversion can be started by the “special event trigger” of the CCP2 module. This requires that the CCP2M3:CCP2M0 bits (CCP2CON<3:0>) be programmed as ‘1011’ and that the A/D module is enabled (ADON bit is set). When the trigger occurs, the GO/DONE bit will be set, starting the A/D conversion and the Timer1 (or Timer3) counter will be reset to zero. Timer1 (or Timer3) is reset to automatically repeat the A/D acquisition period with minimal software overhead (moving ADRESH/ADRESL to the desired location). The appropriate analog input channel must be selected and the minimum acquisition done before the “special event trigger” sets the GO/DONE bit (starts a conversion).

If the A/D module is not enabled (ADON is cleared), the “special event trigger” will be ignored by the A/D module, but will still reset the Timer1 (or Timer3) counter.

FIGURE 19-3: A/D CONVERSION TAD CYCLES



# PIC18F6520/8520/6620/8620/6720/8720

**TABLE 19-2: SUMMARY OF A/D REGISTERS**

| Name                 | Bit 7                                 | Bit 6                         | Bit 5  | Bit 4  | Bit 3 | Bit 2  | Bit 1   | Bit 0  | Value on POR, BOR | Value on all other Resets |
|----------------------|---------------------------------------|-------------------------------|--------|--------|-------|--------|---------|--------|-------------------|---------------------------|
| INTCON               | GIE/<br>GIEH                          | PEIE/<br>GIEL                 | TMR0IE | INT0IE | RBIE  | TMR0IF | INT0IF  | RBIF   | 0000 0000         | 0000 0000                 |
| PIR1                 | PSPIF                                 | ADIF                          | RCIF   | TXIF   | SSPIF | CCP1IF | TMR2IF  | TMR1IF | 0000 0000         | 0000 0000                 |
| PIE1                 | PSPIE                                 | ADIE                          | RCIE   | TXIE   | SSPIE | CCP1IE | TMR2IE  | TMR1IE | 0000 0000         | 0000 0000                 |
| IPR1                 | PSPIP                                 | ADIP                          | RCIP   | TXIP   | SSPIP | CCP1IP | TMR2IP  | TMR1IP | 0111 1111         | 0111 1111                 |
| PIR2                 | —                                     | CMIF                          | —      | —      | BCLIF | LVDIF  | TMR3IF  | CCP2IF | -0-- 0000         | -0-- 0000                 |
| PIE2                 | —                                     | CMIE                          | —      | —      | BCLIE | LVDIE  | TMR3IE  | CCP2IE | -0-- 0000         | -0-- 0000                 |
| IPR2                 | —                                     | CMIP                          | —      | —      | BCLIP | LVDIP  | TMR3IP  | CCP2IP | -0-- 0000         | -0-- 0000                 |
| ADRESH               | A/D Result Register High Byte         |                               |        |        |       |        |         |        | xxxx xxxx         | uuuu uuuu                 |
| ADRESL               | A/D Result Register Low Byte          |                               |        |        |       |        |         |        | xxxx xxxx         | uuuu uuuu                 |
| ADCON0               | —                                     | —                             | CHS3   | CHS3   | CHS1  | CHS0   | GO/DONE | ADON   | --00 0000         | --00 0000                 |
| ADCON1               | —                                     | —                             | VCFG1  | VCFG0  | PCFG3 | PCFG2  | PCFG1   | PCFG0  | --00 0000         | --00 0000                 |
| ADCON2               | ADFM                                  | —                             | —      | —      | —     | ADCS2  | ADCS1   | ADCS0  | 0--- -000         | 0--- -000                 |
| PORTA                | —                                     | RA6                           | RA5    | RA4    | RA3   | RA2    | RA1     | RA0    | --0x 0000         | --0u 0000                 |
| TRISA                | —                                     | PORTA Data Direction Register |        |        |       |        |         |        | --11 1111         | --11 1111                 |
| PORTF                | RF7                                   | RF6                           | RF5    | RF4    | RF3   | RF2    | RF1     | RF0    | x000 0000         | u000 0000                 |
| LATF                 | LATF7                                 | LATF6                         | LATF5  | LATF4  | LATF3 | LATF2  | LATF1   | LATF0  | xxxx xxxx         | uuuu uuuu                 |
| TRISF                | PORTF Data Direction Control Register |                               |        |        |       |        |         |        | 1111 1111         | 1111 1111                 |
| PORTH <sup>(1)</sup> | RH7                                   | RH6                           | RH5    | RH4    | RH3   | RH2    | RH1     | RH0    | 0000 xxxx         | 0000 xxxx                 |
| LATH <sup>(1)</sup>  | LATH7                                 | LATH6                         | LATH5  | LATH4  | LATH3 | LATH2  | LATH1   | LATH0  | xxxx xxxx         | uuuu uuuu                 |
| TRISH <sup>(1)</sup> | PORTH Data Direction Control Register |                               |        |        |       |        |         |        | 1111 1111         | 1111 1111                 |

**Legend:** x = unknown, u = unchanged, — = unimplemented, read as '0'. Shaded cells are not used for A/D conversion.

**Note 1:** Only available on PIC18F8X20 devices.

# PIC18F6520/8520/6620/8620/6720/8720

---

NOTES:

# PIC18F6520/8520/6620/8620/6720/8720

## 20.0 COMPARATOR MODULE

The comparator module contains two analog comparators. The inputs to the comparators are multiplexed with the RF1 through RF6 pins. The on-chip voltage reference (Section 21.0 “Comparator Voltage Reference Module”) can also be an input to the comparators.

The CMCON register, shown as Register 20-1, controls the comparator input and output multiplexers. A block diagram of the various comparator configurations is shown in Figure 20-1.

**REGISTER 20-1: CMCON REGISTER**

|       |       |       |       |       |       |       |       |
|-------|-------|-------|-------|-------|-------|-------|-------|
| R-0   | R-0   | R/W-0 | R/W-0 | R/W-0 | R/W-0 | R/W-0 | R/W-0 |
| C2OUT | C1OUT | C2INV | C1INV | CIS   | CM2   | CM1   | CM0   |
| bit 7 |       |       |       |       |       | bit 0 |       |

bit 7 **C2OUT**: Comparator 2 Output bit

When C2INV = 0:

1 = C2 VIN+ > C2 VIN-  
0 = C2 VIN+ < C2 VIN-

When C2INV = 1:

1 = C2 VIN+ < C2 VIN-  
0 = C2 VIN+ > C2 VIN-

bit 6 **C1OUT**: Comparator 1 Output bit

When C1INV = 0:

1 = C1 VIN+ > C1 VIN-  
0 = C1 VIN+ < C1 VIN-

When C1INV = 1:

1 = C1 VIN+ < C1 VIN-  
0 = C1 VIN+ > C1 VIN-

bit 5 **C2INV**: Comparator 2 Output Inversion bit

1 = C2 output inverted  
0 = C2 output not inverted

bit 4 **C1INV**: Comparator 1 Output Inversion bit

1 = C1 output inverted  
0 = C1 output not inverted

bit 3 **CIS**: Comparator Input Switch bit

When CM2:CM0 = 110:

1 = C1 VIN- connects to RF5/AN10  
C2 VIN- connects to RF3/AN8  
0 = C1 VIN- connects to RF6/AN11  
C2 VIN- connects to RF4/AN9

bit 2-0 **CM2:CM0**: Comparator Mode bits

Figure 20-1 shows the Comparator modes and the CM2:CM0 bit settings.

**Legend:**

|                    |                  |  |
|--------------------|------------------|--|
| R = Readable bit   | W = Writable bit | U = Unimplemented bit, read as '0'         |
| - n = Value at POR | '1' = Bit is set | '0' = Bit is cleared    x = Bit is unknown |

# PIC18F6520/8520/6620/8620/6720/8720

## 20.1 Comparator Configuration

There are eight modes of operation for the comparators. The CMCON register is used to select these modes. Figure 20-1 shows the eight possible modes. The TRISF register controls the data direction of the comparator pins for each mode. If the Comparator mode is changed, the comparator output level may not

be valid for the specified mode change delay shown in the Electrical Specifications (Section 26.0 “Electrical Characteristics”).

**Note:** Comparator interrupts should be disabled during a Comparator mode change. Otherwise, a false interrupt may occur.

**FIGURE 20-1: COMPARATOR I/O OPERATING MODES**





## 20.2 Comparator Operation

A single comparator is shown in Figure 20-2, along with the relationship between the analog input levels and the digital output. When the analog input at  $V_{IN+}$  is less than the analog input  $V_{IN-}$ , the output of the comparator is a digital low level. When the analog input at  $V_{IN+}$  is greater than the analog input  $V_{IN-}$ , the output of the comparator is a digital high level. The shaded areas of the output of the comparator in Figure 20-2 represent the uncertainty, due to input offsets and response time.

## 20.3 Comparator Reference

An external or internal reference signal may be used, depending on the comparator operating mode. The analog signal present at  $V_{IN-}$  is compared to the signal at  $V_{IN+}$  and the digital output of the comparator is adjusted accordingly (Figure 20-2).

**FIGURE 20-2: SINGLE COMPARATOR**



### 20.3.1 EXTERNAL REFERENCE SIGNAL

When external voltage references are used, the comparator module can be configured to have the comparators operate from the same, or different reference sources. However, threshold detector applications may require the same reference. The reference signal must be between  $V_{SS}$  and  $V_{DD}$  and can be applied to either pin of the comparator(s).

### 20.3.2 INTERNAL REFERENCE SIGNAL

The comparator module also allows the selection of an internally generated voltage reference for the comparators. **Section 21.0 “Comparator Voltage Reference Module”** contains a detailed description of the comparator voltage reference module that provides this signal. The internal reference signal is used when comparators are in mode  $CM\langle 2:0 \rangle = 110$  (Figure 20-1). In this mode, the internal voltage reference is applied to the  $V_{IN+}$  pin of both comparators.

## 20.4 Comparator Response Time

Response time is the minimum time, after selecting a new reference voltage or input source, before the comparator output has a valid level. If the internal reference is changed, the maximum delay of the internal voltage reference must be considered when using the comparator outputs. Otherwise, the maximum delay of the comparators should be used (**Section 26.0 “Electrical Characteristics”**).

## 20.5 Comparator Outputs

The comparator outputs are read through the CMCON register. These bits are read-only. The comparator outputs may also be directly output to the RF1 and RF2 I/O pins. When enabled, multiplexors in the output path of the RF1 and RF2 pins will switch and the output of each pin will be the unsynchronized output of the comparator. The uncertainty of each of the comparators is related to the input offset voltage and the response time given in the specifications. Figure 20-3 shows the comparator output block diagram.

The TRISF bits will still function as an output enable/disable for the RF1 and RF2 pins while in this mode.

The polarity of the comparator outputs can be changed using the C2INV and C1INV bits ( $CMCON\langle 4:5 \rangle$ ).

**Note 1:** When reading the port register, all pins configured as analog inputs will read as a ‘0’. Pins configured as digital inputs will convert an analog input, according to the Schmitt Trigger input specification.

**2:** Analog levels on any pin defined as a digital input may cause the input buffer to consume more current than is specified.

# PIC18F6520/8520/6620/8620/6720/8720

FIGURE 20-3: COMPARATOR OUTPUT BLOCK DIAGRAM



## 20.6 Comparator Interrupts

The comparator interrupt flag is set whenever there is a change in the output value of either comparator. Software will need to maintain information about the status of the output bits, as read from CMCON<7:6>, to determine the actual change that occurred. The CMIF bit (PIR registers) is the Comparator Interrupt Flag. The CMIF bit must be reset by clearing '0'. Since it is also possible to write a '1' to this register, a simulated interrupt may be initiated.

The CMIE bit (PIE registers) and the PEIE bit (INTCON register) must be set to enable the interrupt. In addition, the GIE bit must also be set. If any of these bits are clear, the interrupt is not enabled, though the CMIF bit will still be set if an interrupt condition occurs.

**Note:** If a change in the CMCON register (C1OUT or C2OUT) should occur when a read operation is being executed (start of the Q2 cycle), then the CMIF (PIR registers) interrupt flag may not get set.

The user, in the Interrupt Service Routine, can clear the interrupt in the following manner:

- Any read or write of CMCON will end the mismatch condition.
- Clear flag bit CMIF.

A mismatch condition will continue to set flag bit CMIF. Reading CMCON will end the mismatch condition and allow flag bit CMIF to be cleared.

# PIC18F6520/8520/6620/8620/6720/8720

## 20.7 Comparator Operation During Sleep

When a comparator is active and the device is placed in Sleep mode, the comparator remains active and the interrupt is functional, if enabled. This interrupt will wake-up the device from Sleep mode, when enabled. While the comparator is powered up, higher Sleep currents than shown in the power-down current specification will occur. Each operational comparator will consume additional current, as shown in the comparator specifications. To minimize power consumption while in Sleep mode, turn off the comparators ( $CM\langle 2:0 \rangle = 111$ ) before entering Sleep. If the device wakes up from Sleep, the contents of the CMCON register are not affected.

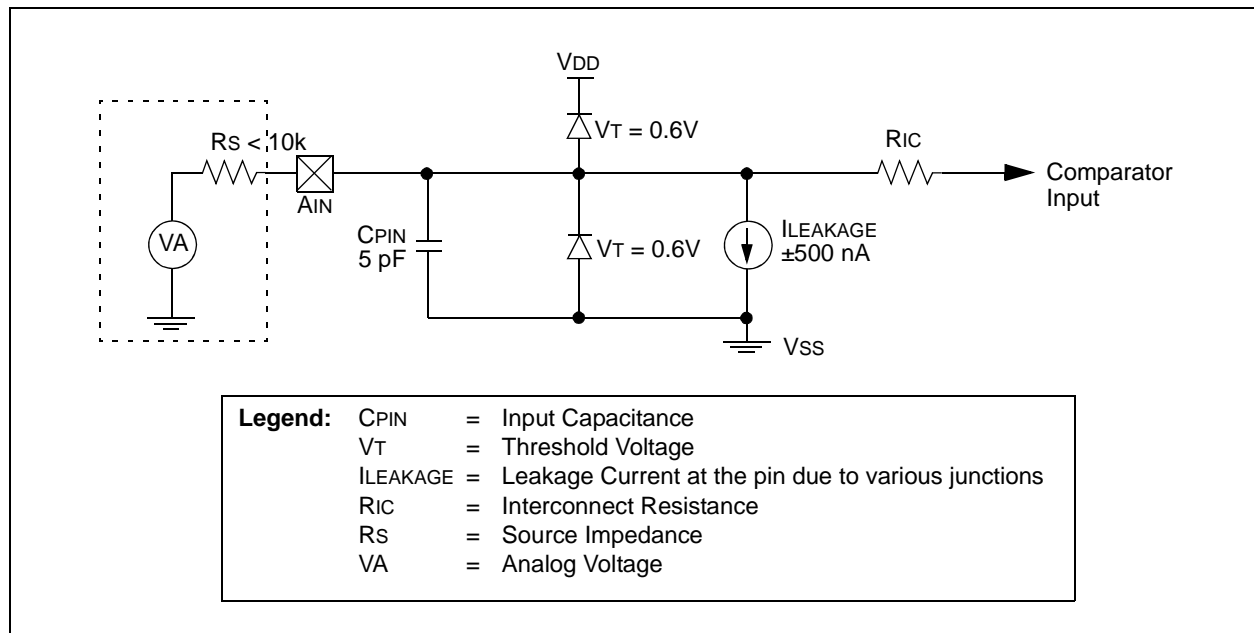
## 20.8 Effects of a Reset

A device Reset forces the CMCON register to its Reset state, causing the comparator module to be in the Comparator Reset mode,  $CM\langle 2:0 \rangle = 000$ . This ensures that all potential inputs are analog inputs. Device current is minimized when analog inputs are present at Reset time. The comparators will be powered down during the Reset interval.

## 20.9 Analog Input Connection Considerations

A simplified circuit for an analog input is shown in Figure 20-4. Since the analog pins are connected to a digital output, they have reverse biased diodes to  $V_{DD}$  and  $V_{SS}$ . The analog input, therefore, must be between  $V_{SS}$  and  $V_{DD}$ . If the input voltage deviates from this range by more than 0.6V in either direction, one of the diodes is forward biased and a latch-up condition may occur. A maximum source impedance of 10 k $\Omega$  is recommended for the analog sources. Any external component connected to an analog input pin, such as a capacitor or a Zener diode, should have very little leakage current.

FIGURE 20-4: COMPARATOR ANALOG INPUT MODEL



# PIC18F6520/8520/6620/8620/6720/8720

**TABLE 20-1: REGISTERS ASSOCIATED WITH COMPARATOR MODULE**

| Name   | Bit 7        | Bit 6         | Bit 5  | Bit 4  | Bit 3  | Bit 2  | Bit 1  | Bit 0  | Value on POR | Value on all other Resets |
|--------|--------------|---------------|--------|--------|--------|--------|--------|--------|--------------|---------------------------|
| CMCON  | C2OUT        | C1OUT         | C2INV  | C1INV  | CIS    | CM2    | CM1    | CM0    | 0000 0000    | 0000 0000                 |
| CVRCON | CVREN        | CVROE         | CVRR   | CVRSS  | CVR3   | CVR2   | CVR1   | CVR0   | 0000 0000    | 0000 0000                 |
| INTCON | GIE/<br>GIEH | PEIE/<br>GIEL | TMR0IE | INT0IE | RBIE   | TMR0IF | INT0IF | RBIF   | 0000 0000    | 0000 0000                 |
| PIR2   | —            | CMIF          | —      | —      | BCLIF  | LVDIF  | TMR3IF | CCP2IF | -0-- 0000    | -0-- 0000                 |
| PIE2   | —            | CMIE          | —      | —      | BCLIE  | LVDIE  | TMR3IE | CCP2IE | -0-- 0000    | -0-- 0000                 |
| IPR2   | —            | CMIP          | —      | —      | BCLIP  | LVDIP  | TMR3IP | CCP2IP | -1-- 1111    | -1-- 1111                 |
| PORTF  | RF7          | RF6           | RF5    | RF4    | RF3    | RF2    | RF1    | RF0    | x000 0000    | u000 0000                 |
| LATF   | LATF7        | LATF6         | LATF5  | LATF4  | LATF3  | LATF2  | LATF1  | LATF0  | xxxx xxxx    | uuuu uuuu                 |
| TRISF  | TRISF7       | TRISF6        | TRISF5 | TRISF4 | TRISF3 | TRISF2 | TRISF1 | TRISF0 | 1111 1111    | 1111 1111                 |

**Legend:** x = unknown, u = unchanged, – = unimplemented, read as '0'.  
Shaded cells are unused by the comparator module.

# PIC18F6520/8520/6620/8620/6720/8720

## 21.0 COMPARATOR VOLTAGE REFERENCE MODULE

The comparator voltage reference is a 16-tap resistor ladder network that provides a selectable voltage reference. The resistor ladder is segmented to provide two ranges of CVREF values and has a power-down function to conserve power when the reference is not being used. The CVRCON register controls the operation of the reference as shown in Register 21-1. The block diagram is given in Figure 21-1.

The comparator reference supply voltage can come from either VDD or VSS, or the external VREF+ and VREF- that are multiplexed with RA3 and RA2. The comparator reference supply voltage is controlled by the CVRSS bit.

**Note:** In order to select external VREF+ and VREF- supply voltages, the Voltage Reference Configuration bits (VCFG1:VCFG0) of the ADCON1 register must be set appropriately.

## 21.1 Configuring the Comparator Voltage Reference

The comparator voltage reference can output 16 distinct voltage levels for each range. The equations used to calculate the output of the comparator voltage reference are as follows:

If CVRR = 1:  
 $CVREF = (CVR<3:0>/24) \times CVRSRC$

If CVRR = 0:  
 $CVREF = (CVRSRC \times 1/4) + (CVR<3:0>/32) \times CVRSRC$

The settling time of the comparator voltage reference must be considered when changing the CVREF output (**Section 26.0 “Electrical Characteristics”**).

### REGISTER 21-1: CVRCON REGISTER

|       |       |       |       |       |       |       |       |
|-------|-------|-------|-------|-------|-------|-------|-------|
| R/W-0 | R/W-0 | R/W-0 | R/W-0 | R/W-0 | R/W-0 | R/W-0 | R/W-0 |
| CVREN | CVROE | CVRR  | CVRSS | CVR3  | CVR2  | CVR1  | CVR0  |

bit 7

bit 0

bit 7 **CVREN:** Comparator Voltage Reference Enable bit

- 1 = CVREF circuit powered on
- 0 = CVREF circuit powered down

bit 6 **CVROE:** Comparator VREF Output Enable bit<sup>(1)</sup>

- 1 = CVREF voltage level is also output on the RF5/AN10/CVREF pin
- 0 = CVREF voltage is disconnected from the RF5/AN10/CVREF pin

bit 5 **CVRR:** Comparator VREF Range Selection bit

- 1 = 0.00 CVRSRC to 0.667 CVRSRC, with CVRSRC/24 step size (low range)
- 0 = 0.25 CVRSRC to 0.75 CVRSRC, with CVRSRC/32 step size (high range)

bit 4 **CVRSS:** Comparator VREF Source Selection bit<sup>(2)</sup>

- 1 = Comparator reference source CVRSRC = VREF+ – VREF-
- 0 = Comparator reference source CVRSRC = VDD – VSS

bit 3-0 **CVR3:CVRO:** Comparator VREF Value Selection bits ( $0 \leq VR3:VR0 \leq 15$ )

When CVRR = 1:  
 $CVREF = (CVR<3:0>/24) \cdot (CVRSRC)$

When CVRR = 0:  
 $CVREF = 1/4 \cdot (CVRSRC) + (CVR3:CVRO/32) \cdot (CVRSRC)$

**Note 1:** If enabled for output, RF5 must also be configured as an input by setting TRISF<5> to ‘1’.

**2:** In order to select external VREF+ and VREF- supply voltages, the Voltage Reference Configuration bits (VCFG1:VCFG0) of the ADCON1 register must be set appropriately.

#### Legend:

R = Readable bit                      W = Writable bit                      U = Unimplemented bit, read as ‘0’  
 - n = Value at POR                      ‘1’ = Bit is set                      ‘0’ = Bit is cleared                      x = Bit is unknown

# PIC18F6520/8520/6620/8620/6720/8720

FIGURE 21-1: VOLTAGE REFERENCE BLOCK DIAGRAM



## 21.2 Voltage Reference Accuracy/Error

The full range of voltage reference cannot be realized due to the construction of the module. The transistors on the top and bottom of the resistor ladder network (Figure 21-1) keep  $CVREF$  from approaching the reference source rails. The voltage reference is derived from the reference source; therefore, the  $CVREF$  output changes with fluctuations in that source. The tested absolute accuracy of the voltage reference can be found in Section 26.0 "Electrical Characteristics".

## 21.3 Operation During Sleep

When the device wakes up from Sleep through an interrupt or a Watchdog Timer time-out, the contents of the  $CVRCON$  register are not affected. To minimize current consumption in Sleep mode, the voltage reference should be disabled.

## 21.4 Effects of a Reset

A device Reset disables the voltage reference by clearing bit  $CVREN$  ( $CVRCON<7>$ ). This Reset also disconnects the reference from the  $RA2$  pin by clearing bit  $CVROE$  ( $CVRCON<6>$ ) and selects the high-voltage range by clearing bit  $CVRR$  ( $CVRCON<5>$ ). The  $VRSS$  value select bits,  $CVRCON<3:0>$ , are also cleared.

## 21.5 Connection Considerations

The voltage reference module operates independently of the comparator module. The output of the reference generator may be connected to the  $RF5$  pin if the  $TRISF<5>$  bit is set and the  $CVROE$  bit is set. Enabling the voltage reference output onto the  $RF5$  pin, configured as a digital input, will increase current consumption. Connecting  $RF5$  as a digital output with  $VRSS$  enabled will also increase current consumption.

The  $RF5$  pin can be used as a simple D/A output with limited drive capability. Due to the limited current drive capability, a buffer must be used on the voltage reference output for external connections to  $VREF$ . Figure 21-2 shows an example buffering technique.

# PIC18F6520/8520/6620/8620/6720/8720

**FIGURE 21-2: VOLTAGE REFERENCE OUTPUT BUFFER EXAMPLE**



**TABLE 21-1: REGISTERS ASSOCIATED WITH COMPARATOR VOLTAGE REFERENCE**

| Name   | Bit 7  | Bit 6  | Bit 5  | Bit 4  | Bit 3  | Bit 2  | Bit 1  | Bit 0  | Value on POR | Value on all other Resets |
|--------|--------|--------|--------|--------|--------|--------|--------|--------|--------------|---------------------------|
| CVRCON | CVREN  | CVROE  | CVRR   | CVRSS  | CVR3   | CVR2   | CVR1   | CVR0   | 0000 0000    | 0000 0000                 |
| CMCON  | C2OUT  | C1OUT  | C2INV  | C1INV  | CIS    | CM2    | CM1    | CM0    | 0000 0000    | 0000 0000                 |
| TRISF  | TRISF7 | TRISF6 | TRISF5 | TRISF4 | TRISF3 | TRISF2 | TRISF1 | TRISF0 | 1111 1111    | 1111 1111                 |

**Legend:** x = unknown, u = unchanged, - = unimplemented, read as '0'.  
Shaded cells are not used with the comparator voltage reference.

# PIC18F6520/8520/6620/8620/6720/8720

---

NOTES:



# PIC18F6520/8520/6620/8620/6720/8720

## 22.0 LOW-VOLTAGE DETECT

In many applications, the ability to determine if the device voltage ( $V_{DD}$ ) is below a specified voltage level is a desirable feature. A window of operation for the application can be created, where the application software can do “housekeeping tasks” before the device voltage exits the valid operating range. This can be done using the Low-Voltage Detect module.

This module is a software programmable circuitry, where a device voltage trip point can be specified. When the voltage of the device becomes lower than the specified point, an interrupt flag is set. If the interrupt is enabled, the program execution will branch to the interrupt vector address and the software can then respond to that interrupt source.

The Low-Voltage Detect circuitry is completely under software control. This allows the circuitry to be “turned off” by the software, which minimizes the current consumption for the device.

Figure 22-1 shows a possible application voltage curve (typically for batteries). Over time, the device voltage decreases. When the device voltage equals voltage  $V_A$ , the LVD logic generates an interrupt. This occurs at time  $T_A$ . The application software then has the time, until the device voltage is no longer in valid operating range, to shut down the system. Voltage point  $V_B$  is the minimum valid operating voltage specification. This occurs at time  $T_B$ . The difference  $T_B - T_A$  is the total time for shutdown.

FIGURE 22-1: TYPICAL LOW-VOLTAGE DETECT APPLICATION



The block diagram for the LVD module is shown in Figure 22-2. A comparator uses an internally generated reference voltage as the set point. When the selected tap output of the device voltage crosses the set point (is lower than), the LVDIF bit is set.

Each node in the resistor divider represents a “trip point” voltage. The “trip point” voltage is the minimum supply voltage level at which the device can operate before the LVD module asserts an interrupt. When the

supply voltage is equal to the trip point, the voltage tapped off of the resistor array is equal to the 1.2V internal reference voltage generated by the voltage reference module. The comparator then generates an interrupt signal, setting the LVDIF bit. This voltage is software programmable to any one of 16 values (see Figure 22-2). The trip point is selected by programming the LVDL3:LVDL0 bits (LVDCON<3:0>).

# PIC18F6520/8520/6620/8620/6720/8720

**FIGURE 22-2: LOW-VOLTAGE DETECT (LVD) BLOCK DIAGRAM**



The LVD module has an additional feature that allows the user to supply the trip voltage to the module from an external source. This mode is enabled when bits LVDL3:LVDL0 are set to '1111'. In this state, the comparator input is multiplexed from the external input pin,

LVDIN (Figure 22-3). This gives users flexibility because it allows them to configure the Low-Voltage Detect interrupt to occur at any voltage in the valid operating range.

**FIGURE 22-3: LOW-VOLTAGE DETECT (LVD) WITH EXTERNAL INPUT BLOCK DIAGRAM**



# PIC18F6520/8520/6620/8620/6720/8720

## 22.1 Control Register

The Low-Voltage Detect Control register controls the operation of the Low-Voltage Detect circuitry.

### REGISTER 22-1: LVDCON REGISTER

|       |     |       |       |       |       |       |       |       |
|-------|-----|-------|-------|-------|-------|-------|-------|-------|
| U-0   | U-0 | R-0   | R/W-0 | R/W-0 | R/W-1 | R/W-0 | R/W-1 |       |
| —     | —   | IRVST | LVDEN | LVDL3 | LVDL2 | LVDL1 | LVDL0 |       |
| bit 7 |     |       |       |       |       |       |       | bit 0 |

bit 7-6 **Unimplemented:** Read as '0'

bit 5 **IRVST:** Internal Reference Voltage Stable Flag bit

- 1 = Indicates that the Low-Voltage Detect logic will generate the interrupt flag at the specified voltage range
- 0 = Indicates that the Low-Voltage Detect logic will not generate the interrupt flag at the specified voltage range and the LVD interrupt should not be enabled

bit 4 **LVDEN:** Low-Voltage Detect Power Enable bit

- 1 = Enables LVD, powers up LVD circuit
- 0 = Disables LVD, powers down LVD circuit

bit 3-0 **LVDL3:LVDL0:** Low-Voltage Detection Limit bits<sup>(2)</sup>

- 1111 = External analog input is used (input comes from the LVDIN pin)
- 1110 = 4.64V
- 1101 = 4.33V
- 1100 = 4.13V
- 1011 = 3.92V
- 1010 = 3.72V
- 1001 = 3.61V
- 1000 = 3.41V
- 0111 = 3.1V
- 0110 = 2.89V
- 0101 = 2.78V
- 0100 = 2.58V
- 0011 = 2.47V
- 0010 = 2.27V
- 0001 = 2.06V
- 0000 = Reserved

**Note 1:** LVDL3:LVDL0 modes which result in a trip point below the valid operating voltage of the device are not tested.

**2:** Typical values shown, see parameter D420 in Table 26-3 for more information.

#### Legend:

|                    |                  |  |
|--------------------|------------------|--|
| R = Readable bit   | W = Writable bit | U = Unimplemented bit, read as '0'         |
| - n = Value at POR | '1' = Bit is set | '0' = Bit is cleared    x = Bit is unknown |

# PIC18F6520/8520/6620/8620/6720/8720

## 22.2 Operation

Depending on the power source for the device voltage, the voltage normally decreases relatively slowly. This means that the LVD module does not need to be constantly operating. To decrease the current requirements, the LVD circuitry only needs to be enabled for short periods, where the voltage is checked. After doing the check, the LVD module may be disabled.

Each time that the LVD module is enabled, the circuitry requires some time to stabilize. After the circuitry has stabilized, all status flags may be cleared. The module will then indicate the proper state of the system.

The following steps are needed to set up the LVD module:

1. Write the value to the LVDL3:LVDL0 bits (LVDCON register), which selects the desired LVD trip point.
2. Ensure that LVD interrupts are disabled (the LVDIE bit is cleared or the GIE bit is cleared).
3. Enable the LVD module (set the LVDEN bit in the LVDCON register).
4. Wait for the LVD module to stabilize (the IRVST bit to become set).
5. Clear the LVD interrupt flag, which may have falsely become set, until the LVD module has stabilized (clear the LVDIF bit).
6. Enable the LVD interrupt (set the LVDIE and the GIE bits).

Figure 22-4 shows typical waveforms that the LVD module may be used to detect.

**FIGURE 22-4: LOW-VOLTAGE DETECT WAVEFORMS**



## 22.2.1 REFERENCE VOLTAGE SET POINT

The internal reference voltage of the LVD module, specified in electrical specification parameter #D423, may be used by other internal circuitry (the Programmable Brown-out Reset). If these circuits are disabled (lower current consumption), the reference voltage circuit requires a time to become stable before a low-voltage condition can be reliably detected. This time is invariant of system clock speed. This start-up time is specified in electrical specification parameter #36. The low-voltage interrupt flag will not be enabled until a stable reference voltage is reached. Refer to the waveform in Figure 22-4.

## 22.2.2 CURRENT CONSUMPTION

When the module is enabled, the LVD comparator and voltage divider are enabled and will consume static current. The voltage divider can be tapped from multiple places in the resistor array. Total current consumption, when enabled, is specified in electrical specification parameter #D022B.

## 22.3 Operation During Sleep

When enabled, the LVD circuitry continues to operate during Sleep. If the device voltage crosses the trip point, the LVDIF bit will be set and the device will wake-up from Sleep. Device execution will continue from the interrupt vector address if interrupts have been globally enabled.

## 22.4 Effects of a Reset

A device Reset forces all registers to their Reset state. This forces the LVD module to be turned off.

# PIC18F6520/8520/6620/8620/6720/8720

---

NOTES:

## 23.0 SPECIAL FEATURES OF THE CPU

There are several features intended to maximize system reliability, minimize cost through elimination of external components, provide power saving operating modes and offer code protection. These are:

- Oscillator Selection
- Reset
  - Power-on Reset (POR)
  - Power-up Timer (PWRT)
  - Oscillator Start-up Timer (OST)
  - Brown-out Reset (BOR)
- Interrupts
- Watchdog Timer (WDT)
- Sleep
- Code Protection
- ID Locations
- In-Circuit Serial Programming

All PIC18FXX20 devices have a Watchdog Timer, which is permanently enabled via the configuration bits, or software controlled. It runs off its own RC oscillator for added reliability. There are two timers that offer necessary delays on power-up. One is the Oscillator Start-up Timer (OST), intended to keep the chip in Reset until the crystal oscillator is stable. The other is the Power-up Timer (PWRT), which provides a fixed delay on power-up only, designed to keep the part in Reset while the power supply stabilizes. With these two timers on-chip, most applications need no external Reset circuitry.

Sleep mode is designed to offer a very low current power-down mode. The user can wake-up from Sleep through external Reset, Watchdog Timer Wake-up or through an interrupt. Several oscillator options are also made available to allow the part to fit the application. The RC oscillator option saves system cost, while the LP crystal option saves power. A set of configuration bits is used to select various options.

## 23.1 Configuration Bits

The configuration bits can be programmed (read as '0'), or left unprogrammed (read as '1'), to select various device configurations. These bits are mapped, starting at program memory location 300000h.

The user will note that address 300000h is beyond the user program memory space. In fact, it belongs to the configuration memory space (300000h through 3FFFFFFh), which can only be accessed using table reads and table writes.

Programming the configuration registers is done in a manner similar to programming the Flash memory. The EECON1 register WR bit starts a self-timed write to the configuration register. In normal operation mode, a TBLWT instruction with the TBLPTR pointed to the configuration register sets up the address and the data for the configuration register write. Setting the WR bit starts a long write to the configuration register. The configuration registers are written a byte at a time. To write or erase a configuration cell, a TBLWT instruction can write a '1' or a '0' into the cell.

# PIC18F6520/8520/6620/8620/6720/8720

**TABLE 23-1: CONFIGURATION BITS AND DEVICE IDS**

| File Name                       | Bit 7                | Bit 6                | Bit 5                | Bit 4                | Bit 3  | Bit 2  | Bit 1            | Bit 0  | Default/<br>Unprogrammed<br>Value |
|---------------------------------|----------------------|----------------------|----------------------|----------------------|--------|--------|------------------|--------|-----------------------------------|
| 300001h CONFIG1H                | —                    | —                    | OSCSEN               | —                    | —      | FOSC2  | FOSC1            | FOSC0  | --1- -111                         |
| 300002h CONFIG2L                | —                    | —                    | —                    | —                    | BORV1  | BORV0  | BODEN            | PWRTEN | ---- 1111                         |
| 300003h CONFIG2H                | —                    | —                    | —                    | —                    | WDTPS2 | WDTPS1 | WDTPS0           | WDTEN  | ---- 1111                         |
| 300004h <sup>(1)</sup> CONFIG3L | WAIT                 | —                    | —                    | —                    | —      | —      | PM1              | PM0    | 1--- --11                         |
| 300005h CONFIG3H                | —                    | —                    | —                    | —                    | —      | —      | r <sup>(3)</sup> | CCP2MX | ---- --11                         |
| 300006h CONFIG4L                | DEBUG                | —                    | —                    | —                    | —      | LVP    | —                | STVREN | 1--- -1-1                         |
| 300008h CONFIG5L                | CP7 <sup>(2)</sup>   | CP6 <sup>(2)</sup>   | CP5 <sup>(2)</sup>   | CP4 <sup>(2)</sup>   | CP3    | CP2    | CP1              | CP0    | 1111 1111                         |
| 300009h CONFIG5H                | CPD                  | CPB                  | —                    | —                    | —      | —      | —                | —      | 11-- ----                         |
| 30000Ah CONFIG6L                | WRT7 <sup>(2)</sup>  | WRT6 <sup>(2)</sup>  | WRT5 <sup>(2)</sup>  | WRT4 <sup>(2)</sup>  | WRT3   | WRT2   | WRT1             | WRT0   | 1111 1111                         |
| 30000Bh CONFIG6H                | WRTD                 | WRTB                 | WRTC                 | —                    | —      | —      | —                | —      | 111- ----                         |
| 30000Ch CONFIG7L                | EBTR7 <sup>(2)</sup> | EBTR6 <sup>(2)</sup> | EBTR5 <sup>(2)</sup> | EBTR4 <sup>(2)</sup> | EBTR3  | EBTR2  | EBTR1            | EBTR0  | 1111 1111                         |
| 30000Dh CONFIG7H                | —                    | EBTRB                | —                    | —                    | —      | —      | —                | —      | -1-- ----                         |
| 3FFFFEh DEVID1                  | DEV2                 | DEV1                 | DEV0                 | REV4                 | REV3   | REV2   | REV1             | REV0   | (4)                               |
| 3FFFFFh DEVID2                  | DEV10                | DEV9                 | DEV8                 | DEV7                 | DEV6   | DEV5   | DEV4             | DEV3   | 0000 0110                         |

**Legend:** x = unknown, u = unchanged, — = unimplemented, q = value depends on condition, r = reserved.  
Shaded cells are unimplemented, read as '0'.

- Note 1:** Unimplemented in PIC18F6X20 devices; maintain this bit set.  
**Note 2:** Unimplemented in PIC18FX520 and PIC18FX620 devices; maintain this bit set.  
**Note 3:** Unimplemented in PIC18FX620 and PIC18FX720 devices; maintain this bit set.  
**Note 4:** See Register 23-13 for DEVID1 values.

**REGISTER 23-1: CONFIG1H: CONFIGURATION REGISTER 1 HIGH (BYTE ADDRESS 300001h)**

|       |     |        |     |     |       |       |       |       |
|-------|-----|--------|-----|-----|-------|-------|-------|-------|
| U-0   | U-0 | R/P-1  | U-0 | U-0 | R/P-1 | R/P-1 | R/P-1 |       |
| —     | —   | OSCSEN | —   | —   | FOSC2 | FOSC1 | FOSC0 |       |
| bit 7 |     |        |     |     |       |       |       | bit 0 |

bit 7-6 **Unimplemented:** Read as '0'

bit 5 **OSCSEN:** Oscillator System Clock Switch Enable bit  
 1 = Oscillator system clock switch option is disabled (main oscillator is source)  
 0 = Timer1 Oscillator system clock switch option is enabled (oscillator switching is enabled)

bit 4-3 **Unimplemented:** Read as '0'

bit 2-0 **FOSC2:FOSC0:** Oscillator Selection bits  
 111 = RC oscillator w/ OSC2 configured as RA6  
 110 = HS oscillator with PLL enabled; clock frequency = (4 x FOSC)  
 101 = EC oscillator w/ OSC2 configured as RA6  
 100 = EC oscillator w/ OSC2 configured as divide-by-4 clock output  
 011 = RC oscillator w/ OSC2 configured as divide-by-4 clock output  
 010 = HS oscillator  
 001 = XT oscillator  
 000 = LP oscillator

**Legend:**

R = Readable bit      P = Programmable bit      U = Unimplemented bit, read as '0'  
 - n = Value when device is unprogrammed      u = Unchanged from programmed state



# PIC18F6520/8520/6620/8620/6720/8720

## REGISTER 23-2: CONFIG2L: CONFIGURATION REGISTER 2 LOW (BYTE ADDRESS 300002h)

|       |     |     |     |       |       |       |        |
|-------|-----|-----|-----|-------|-------|-------|--------|
| U-0   | U-0 | U-0 | U-0 | R/P-1 | R/P-1 | R/P-1 | R/P-1  |
| —     | —   | —   | —   | BORV1 | BORV0 | BOREN | PWRTEN |
| bit 7 |     |     |     | bit 0 |       |       |        |

bit 7-4 **Unimplemented:** Read as '0'

bit 3-2 **BORV1:BORV0:** Brown-out Reset Voltage bits

11 = VBOR set to 2.5V  
 10 = VBOR set to 2.7V  
 01 = VBOR set to 4.2V  
 00 = VBOR set to 4.5V

bit 1 **BOREN:** Brown-out Reset Enable bit

1 = Brown-out Reset enabled  
 0 = Brown-out Reset disabled

bit 0 **PWRTEN:** Power-up Timer Enable bit

1 = PWRT disabled  
 0 = PWRT enabled

### Legend:

R = Readable bit      P = Programmable bit      U = Unimplemented bit, read as '0'  
 - n = Value when device is unprogrammed      u = Unchanged from programmed state

## REGISTER 23-3: CONFIG2H: CONFIGURATION REGISTER 2 HIGH (BYTE ADDRESS 300003h)

|       |     |     |     |        |        |        |       |
|-------|-----|-----|-----|--------|--------|--------|-------|
| U-0   | U-0 | U-0 | U-0 | R/P-1  | R/P-1  | R/P-1  | R/P-1 |
| —     | —   | —   | —   | WDTPS2 | WDTPS1 | WDTPS0 | WDTEN |
| bit 7 |     |     |     | bit 0  |        |        |       |

bit 7-4 **Unimplemented:** Read as '0'

bit 3-1 **WDTPS2:WDTPS0:** Watchdog Timer Postscale Select bits

111 = 1:128  
 110 = 1:64  
 101 = 1:32  
 100 = 1:16  
 011 = 1:8  
 010 = 1:4  
 001 = 1:2  
 000 = 1:1

bit 0 **WDTEN:** Watchdog Timer Enable bit

1 = WDT enabled  
 0 = WDT disabled (control is placed on the SWDTEN bit)

### Legend:

R = Readable bit      P = Programmable bit      U = Unimplemented bit, read as '0'  
 - n = Value when device is unprogrammed      u = Unchanged from programmed state

# PIC18F6520/8520/6620/8620/6720/8720

## REGISTER 23-4: CONFIG3L: CONFIGURATION REGISTER 3 LOW (BYTE ADDRESS 300004h)<sup>(1)</sup>

| R/P-1 | U-0 | U-0 | U-0 | U-0 | U-0 | R/P-1 | R/P-1 |
|-------|-----|-----|-----|-----|-----|-------|-------|
| WAIT  | —   | —   | —   | —   | —   | PM1   | PM0   |
| bit 7 |     |     |     |     |     |       | bit 0 |

bit 7 **WAIT:** External Bus Data Wait Enable bit

1 = Wait selections unavailable for table reads and table writes

0 = Wait selections for table reads and table writes are determined by the WAIT1:WAIT0 bits (MEMCOM<5:4>)

bit 6-2 **Unimplemented:** Read as '0'

bit 1-0 **PM1:PM0:** Processor Mode Select bits

11 = Microcontroller mode

10 = Microprocessor mode

01 = Microprocessor with Boot Block mode

00 = Extended Microcontroller mode

**Note 1:** This register is unimplemented in PIC18F6X20 devices; maintain these bits set.

### Legend:

R = Readable bit

P = Programmable bit

U = Unimplemented bit, read as '0'

- n = Value when device is unprogrammed

u = Unchanged from programmed state

## REGISTER 23-5: CONFIG3H: CONFIGURATION REGISTER 3 HIGH (BYTE ADDRESS 300005h)

| U-0   | U-0 | U-0 | U-0 | U-0 | U-0 | R/P-1            | R/P-1  |
|-------|-----|-----|-----|-----|-----|------------------|--------|
| —     | —   | —   | —   | —   | —   | r <sup>(1)</sup> | CCP2MX |
| bit 7 |     |     |     |     |     |                  | bit 0  |

bit 7-2 **Unimplemented:** Read as '0'

bit 1 **Reserved:** Read as unknown<sup>(1)</sup>

bit 0 **CCP2MX:** CCP2 Mux bit

In Microcontroller mode:

1 = CCP2 input/output is multiplexed with RC1

0 = CCP2 input/output is multiplexed with RE7

In Microprocessor, Microprocessor with Boot Block and Extended Microcontroller modes (PIC18F8X20 devices only):

1 = CCP2 input/output is multiplexed with RC1

0 = CCP2 input/output is multiplexed with RB3

**Note 1:** Unimplemented in PIC18FX620 and PIC18FX720 devices; read as '0'.

### Legend:

R = Readable bit

P = Programmable bit

U = Unimplemented bit, read as '0'

- n = Value when device is unprogrammed

u = Unchanged from programmed state

# PIC18F6520/8520/6620/8620/6720/8720

## REGISTER 23-6: CONFIG4L: CONFIGURATION REGISTER 4 LOW (BYTE ADDRESS 300006h)

| R/P-1                     | U-0 | U-0 | U-0 | U-0 | R/P-1 | U-0 | R/P-1  |
|---------------------------|-----|-----|-----|-----|-------|-----|--------|
| $\overline{\text{DEBUG}}$ | —   | —   | —   | —   | LVP   | —   | STVREN |

bit 7

bit 0

- bit 7 **DEBUG:** Background Debugger Enable bit  
1 = Background debugger disabled. RB6 and RB7 configured as general purpose I/O pins.  
0 = Background debugger enabled. RB6 and RB7 are dedicated to In-Circuit Debug.
- bit 6-3 **Unimplemented:** Read as '0'
- bit 2 **LVP:** Low-Voltage ICSP Enable bit  
1 = Low-voltage ICSP enabled  
0 = Low-voltage ICSP disabled
- bit 1 **Unimplemented:** Read as '0'
- bit 0 **STVREN:** Stack Full/Underflow Reset Enable bit  
1 = Stack full/underflow will cause Reset  
0 = Stack full/underflow will not cause Reset

### Legend:

R = Readable bit      P = Programmable bit      U = Unimplemented bit, read as '0'  
- n = Value when device is unprogrammed      u = Unchanged from programmed state

# PIC18F6520/8520/6620/8620/6720/8720

## REGISTER 23-7: CONFIG5L: CONFIGURATION REGISTER 5 LOW (BYTE ADDRESS 300008h)

| R/P-1              | R/P-1              | R/P-1              | R/P-1              | R/P-1 | R/P-1 | R/P-1 | R/P-1 |
|--------------------|--------------------|--------------------|--------------------|-------|-------|-------|-------|
| CP7 <sup>(1)</sup> | CP6 <sup>(1)</sup> | CP5 <sup>(1)</sup> | CP4 <sup>(1)</sup> | CP3   | CP2   | CP1   | CP0   |
| bit 7              |                    |                    |                    | bit 0 |       |       |       |

- bit 7 **CP7:** Code Protection bit<sup>(1)</sup>  
 1 = Block 7 (01C000-01FFFFh) not code-protected  
 0 = Block 7 (01C000-01FFFFh) code-protected
- bit 6 **CP6:** Code Protection bit<sup>(1)</sup>  
 1 = Block 6 (018000-01BFFFh) not code-protected  
 0 = Block 6 (018000-01BFFFh) code-protected
- bit 5 **CP5:** Code Protection bit<sup>(1)</sup>  
 1 = Block 5 (014000-017FFFh) not code-protected  
 0 = Block 5 (014000-017FFFh) code-protected
- bit 4 **CP4:** Code Protection bit<sup>(1)</sup>  
 1 = Block 4 (010000-013FFFh) not code-protected  
 0 = Block 4 (010000-013FFFh) code-protected
- bit 3 **CP3:** Code Protection bit  
For PIC18FX520 devices:  
 1 = Block 3 (006000-007FFFh) not code-protected  
 0 = Block 3 (006000-007FFFh) code-protected  
For PIC18FX620 and PIC18FX720 devices:  
 1 = Block 3 (00C000-00FFFFh) not code-protected  
 0 = Block 3 (00C000-00FFFFh) code-protected
- bit 2 **CP2:** Code Protection bit  
For PIC18FX520 devices:  
 1 = Block 2 (004000-005FFFh) not code-protected  
 0 = Block 2 (004000-005FFFh) code-protected  
For PIC18FX620 and PIC18FX720 devices:  
 1 = Block 2 (008000-00BFFFh) not code-protected  
 0 = Block 2 (008000-00BFFFh) code-protected
- bit 1 **CP1:** Code Protection bit  
For PIC18FX520 devices:  
 1 = Block 1 (002000-003FFFh) not code-protected  
 0 = Block 1 (002000-003FFFh) code-protected  
For PIC18FX620 and PIC18FX720 devices:  
 1 = Block 1 (004000-007FFFh) not code-protected  
 0 = Block 1 (004000-007FFFh) code-protected
- bit 0 **CP0:** Code Protection bit  
For PIC18FX520 devices:  
 1 = Block 0 (000800-001FFFh) not code-protected  
 0 = Block 0 (000800-001FFFh) code-protected  
For PIC18FX620 and PIC18FX720 devices:  
 1 = Block 0 (000200-003FFFh) not code-protected  
 0 = Block 0 (000200-003FFFh) code-protected

**Note 1:** Unimplemented in PIC18FX520 and PIC18FX620 devices; maintain this bit set.

### Legend:

|   |                                     |                                    |
|---|-------------------------------------|------------------------------------|
| R = Readable bit                        | P = Programmable bit                | U = Unimplemented bit, read as '0' |
| - n = Value when device is unprogrammed | u = Unchanged from programmed state |                                    |

# PIC18F6520/8520/6620/8620/6720/8720

## REGISTER 23-8: CONFIG5H: CONFIGURATION REGISTER 5 HIGH (BYTE ADDRESS 300009h)

| R/C-1 | R/C-1 | U-0 | U-0 | U-0 | U-0 | U-0 | U-0 |
|-------|-------|-----|-----|-----|-----|-----|-----|
| CPD   | CPB   | —   | —   | —   | —   | —   | —   |

bit 7 bit 0

bit 7 **CPD:** Data EEPROM Code Protection bit

1 = Data EEPROM not code-protected

0 = Data EEPROM code-protected

bit 6 **CPB:** Boot Block Code Protection bit

For PIC18FX520 devices:

1 = Boot Block (000000-0007FFh) not code-protected

0 = Boot Block (000000-0007FFh) code-protected

For PIC18FX620 and PIC18FX720 devices:

1 = Boot Block (000000-0001FFh) not code-protected

0 = Boot Block (000000-0001FFh) code-protected

bit 5-0 **Unimplemented:** Read as '0'

### Legend:

R = Readable bit

C = Clearable bit

U = Unimplemented bit, read as '0'

- n = Value when device is unprogrammed

u = Unchanged from programmed state

# PIC18F6520/8520/6620/8620/6720/8720

## REGISTER 23-9: CONFIG6L: CONFIGURATION REGISTER 6 LOW (BYTE ADDRESS 3000Ah)

| R/P-1               | R/P-1               | R/P-1               | R/P-1               | R/P-1 | R/P-1 | R/P-1 | R/P-1 |
|---------------------|---------------------|---------------------|---------------------|-------|-------|-------|-------|
| WRT7 <sup>(1)</sup> | WRT6 <sup>(1)</sup> | WRT5 <sup>(1)</sup> | WRT4 <sup>(1)</sup> | WRT3  | WRT2  | WRT1  | WRT0  |
| bit 7               |                     |                     |                     | bit 0 |       |       |       |

- bit 7 **WR7:** Write Protection bit<sup>(1)</sup>  
 1 = Block 7 (01C000-01FFFFh) not write-protected  
 0 = Block 7 (01C000-01FFFFh) write-protected
- bit 6 **WR6:** Write Protection bit<sup>(1)</sup>  
 1 = Block 6 (018000-01BFFFh) not write-protected  
 0 = Block 6 (018000-01BFFFh) write-protected
- bit 5 **WR5:** Write Protection bit<sup>(1)</sup>  
 1 = Block 5 (014000-017FFFh) not write-protected  
 0 = Block 5 (014000-017FFFh) write-protected
- bit 4 **WR4:** Write Protection bit<sup>(1)</sup>  
 1 = Block 4 (010000-013FFFh) not write-protected  
 0 = Block 4 (010000-013FFFh) write-protected
- bit 3 **WR3:** Write Protection bit  
For PIC18FX520 devices:  
 1 = Block 3 (006000-007FFFh) not write-protected  
 0 = Block 3 (006000-007FFFh) write-protected  
For PIC18FX620 and PIC18FX720 devices:  
 1 = Block 3 (00C000-00FFFFh) not write-protected  
 0 = Block 3 (00C000-00FFFFh) write-protected
- bit 2 **WR2:** Write Protection bit  
For PIC18FX520 devices:  
 1 = Block 2 (004000-005FFFh) not write-protected  
 0 = Block 2 (004000-005FFFh) write-protected  
For PIC18FX620 and PIC18FX720 devices:  
 1 = Block 2 (008000-00BFFFh) not write-protected  
 0 = Block 2 (008000-00BFFFh) write-protected
- bit 1 **WR1:** Write Protection bit  
For PIC18FX520 devices:  
 1 = Block 1 (002000-003FFFh) not write-protected  
 0 = Block 1 (002000-003FFFh) write-protected  
For PIC18FX620 and PIC18FX720 devices:  
 1 = Block 1 (004000-007FFFh) not write-protected  
 0 = Block 1 (004000-007FFFh) write-protected
- bit 0 **WR0:** Write Protection bit  
For PIC18FX520 devices:  
 1 = Block 0 (000800-001FFFh) not write-protected  
 0 = Block 0 (000800-001FFFh) write-protected  
For PIC18FX620 and PIC18FX720 devices:  
 1 = Block 0 (000200-003FFFh) not write-protected  
 0 = Block 0 (000200-003FFFh) write-protected

**Note 1:** Unimplemented in PIC18FX520 and PIC18FX620 devices; maintain this bit set.

### Legend:

R = Readable bit      P = Programmable bit      U = Unimplemented bit, read as '0'  
 - n = Value when device is unprogrammed      u = Unchanged from programmed state

# PIC18F6520/8520/6620/8620/6720/8720

## REGISTER 23-10: CONFIG6H: CONFIGURATION REGISTER 6 HIGH (BYTE ADDRESS 30000Bh)

| R/P-1 | R/P-1 | R-1                 | U-0 | U-0 | U-0 | U-0 | U-0 |
|-------|-------|---------------------|-----|-----|-----|-----|-----|
| WRTD  | WRTB  | WRTC <sup>(1)</sup> | —   | —   | —   | —   | —   |

bit 7 bit 0

bit 7 **WRTD:** Data EEPROM Write Protection bit

1 = Data EEPROM not write-protected  
0 = Data EEPROM write-protected

bit 6 **WRTB:** Boot Block Write Protection bit

For PIC18FX520 devices:

1 = Boot Block (000000-0007FFh) not write-protected  
0 = Boot Block (000000-0007FFh) write-protected

For PIC18FX620 and PIC18FX720 devices:

1 = Boot Block (000000-0001FFh) not write-protected  
0 = Boot Block (000000-0001FFh) write-protected

bit 5 **WRTC:** Configuration Register Write Protection bit<sup>(1)</sup>

1 = Configuration registers (300000-3000FFh) not write-protected  
0 = Configuration registers (300000-3000FFh) write-protected

**Note 1:** This bit is read-only and cannot be changed in user mode.

bit 4-0 **Unimplemented:** Read as '0'

### Legend:

R = Readable bit      P = Programmable bit      U = Unimplemented bit, read as '0'  
- n = Value when device is unprogrammed      u = Unchanged from programmed state

# PIC18F6520/8520/6620/8620/6720/8720

## REGISTER 23-11: CONFIG7L: CONFIGURATION REGISTER 7 LOW (BYTE ADDRESS 3000Ch)

| R/P-1                | R/P-1                | R/P-1                | R/P-1                | R/P-1 | R/P-1 | R/P-1 | R/P-1 |
|----------------------|----------------------|----------------------|----------------------|-------|-------|-------|-------|
| EBTR7 <sup>(1)</sup> | EBTR6 <sup>(1)</sup> | EBTR5 <sup>(1)</sup> | EBTR4 <sup>(1)</sup> | EBTR3 | EBTR2 | EBTR1 | EBTR0 |
| bit 7                |                      |                      |                      | bit 0 |       |       |       |

- bit 7 **EBTR7:** Table Read Protection bit<sup>(1)</sup>  
 1 = Block 3 (01C000-01FFFFh) not protected from table reads executed in other blocks  
 0 = Block 3 (01C000-01FFFFh) protected from table reads executed in other blocks
- bit 6 **EBTR6:** Table Read Protection bit<sup>(1)</sup>  
 1 = Block 2 (018000-01BFFFh) not protected from table reads executed in other blocks  
 0 = Block 2 (018000-01BFFFh) protected from table reads executed in other blocks
- bit 5 **EBTR5:** Table Read Protection bit<sup>(1)</sup>  
 1 = Block 1 (014000-017FFFh) not protected from table reads executed in other blocks  
 0 = Block 1 (014000-017FFFh) protected from table reads executed in other blocks
- bit 4 **EBTR4:** Table Read Protection bit<sup>(1)</sup>  
 1 = Block 0 (010000-013FFFh) not protected from table reads executed in other blocks  
 0 = Block 0 (010000-013FFFh) protected from table reads executed in other blocks
- bit 3 **EBTR3:** Table Read Protection bit  
For PIC18FX520 devices:  
 1 = Block 3 (006000-007FFFh) not protected from table reads executed in other blocks  
 0 = Block 3 (006000-007FFFh) protected from table reads executed in other blocks  
For PIC18FX620 and PIC18FX720 devices:  
 1 = Block 3 (00C000-00FFFFh) not protected from table reads executed in other blocks  
 0 = Block 3 (00C000-00FFFFh) protected from table reads executed in other blocks
- bit 2 **EBTR2:** Table Read Protection bit  
For PIC18FX520 devices:  
 1 = Block 2 (004000-005FFFh) not protected from table reads executed in other blocks  
 0 = Block 2 (004000-005FFFh) protected from table reads executed in other blocks  
For PIC18FX620 and PIC18FX720 devices:  
 1 = Block 2 (008000-00BFFFh) not protected from table reads executed in other blocks  
 0 = Block 2 (008000-00BFFFh) protected from table reads executed in other blocks
- bit 1 **EBTR1:** Table Read Protection bit  
For PIC18FX520 devices:  
 1 = Block 1 (002000-003FFFh) not protected from table reads executed in other blocks  
 0 = Block 1 (002000-003FFFh) protected from table reads executed in other blocks  
For PIC18FX620 and PIC18FX720 devices:  
 1 = Block 1 (004000-007FFFh) not protected from table reads executed in other blocks  
 0 = Block 1 (004000-007FFFh) protected from table reads executed in other blocks
- bit 0 **EBTR0:** Table Read Protection bit  
For PIC18FX520 devices:  
 1 = Block 0 (000800-001FFFh) not protected from table reads executed in other blocks  
 0 = Block 0 (000800-001FFFh) protected from table reads executed in other blocks  
For PIC18FX620 and PIC18FX720 devices:  
 1 = Block 0 (000200-003FFFh) not protected from table reads executed in other blocks  
 0 = Block 0 (000200-003FFFh) protected from table reads executed in other blocks

**Note 1:** Unimplemented in PIC18FX520 and PIC18FX620 devices; maintain this bit set.

### Legend:

R = Readable bit      P = Programmable bit      U = Unimplemented bit, read as '0'  
 - n = Value when device is unprogrammed      u = Unchanged from programmed state



# PIC18F6520/8520/6620/8620/6720/8720

## REGISTER 23-12: CONFIG7H: CONFIGURATION REGISTER 7 HIGH (BYTE ADDRESS 30000Dh)

|       |       |     |     |     |     |     |       |
|-------|-------|-----|-----|-----|-----|-----|-------|
| U-0   | R/P-1 | U-0 | U-0 | U-0 | U-0 | U-0 | U-0   |
| —     | EBTRB | —   | —   | —   | —   | —   | —     |
| bit 7 |       |     |     |     |     |     | bit 0 |

bit 7 **Unimplemented:** Read as '0'

bit 6 **EBTRB:** Boot Block Table Read Protection bit

For PIC18FX520 devices:

1 = Boot Block (000000-0007FFh) not protected from table reads executed in other blocks

0 = Boot Block (000000-0007FFh) protected from table reads executed in other blocks

For PIC18FX620 and PIC18FX720 devices:

1 = Boot Block (000000-0001FFh) not protected from table reads executed in other blocks

0 = Boot Block (000000-0001FFh) protected from table reads executed in other blocks

bit 5-0 **Unimplemented:** Read as '0'

### Legend:

R = Readable bit

P = Programmable bit

U = Unimplemented bit, read as '0'

- n = Value when device is unprogrammed

u = Unchanged from programmed state

## REGISTER 23-13: DEVICE ID REGISTER 1 FOR PIC18FXX20 DEVICES (ADDRESS 3FFFEh)

|       |      |      |      |      |      |      |       |
|-------|------|------|------|------|------|------|-------|
| R     | R    | R    | R    | R    | R    | R    | R     |
| DEV2  | DEV1 | DEV0 | REV4 | REV3 | REV2 | REV1 | REV0  |
| bit 7 |      |      |      |      |      |      | bit 0 |

bit 7-5 **DEV2:DEV0:** Device ID bits

000 = PIC18F8720

001 = PIC18F6720

010 = PIC18F8620

011 = PIC18F6620

bit 4-0 **REV4:REV0:** Revision ID bits

These bits are used to indicate the device revision.

### Legend:

R = Readable bit

P = Programmable bit

U = Unimplemented bit, read as '0'

- n = Value when device is unprogrammed

u = Unchanged from programmed state

## REGISTER 23-14: DEVICE ID REGISTER 2 FOR PIC18FXX20 DEVICES (ADDRESS 3FFFFh)

|       |      |      |      |      |      |      |       |
|-------|------|------|------|------|------|------|-------|
| R     | R    | R    | R    | R    | R    | R    | R     |
| DEV10 | DEV9 | DEV8 | DEV7 | DEV6 | DEV5 | DEV4 | DEV3  |
| bit 7 |      |      |      |      |      |      | bit 0 |

bit 7-0 **DEV10:DEV3:** Device ID bits

These bits are used with the DEV2:DEV0 bits in the Device ID Register 1 to identify the part number.

### Legend:

R = Readable bit

P = Programmable bit

U = Unimplemented bit, read as '0'

- n = Value when device is unprogrammed

u = Unchanged from programmed state

# PIC18F6520/8520/6620/8620/6720/8720

## 23.2 Watchdog Timer (WDT)

The Watchdog Timer is a free running, on-chip RC oscillator, which does not require any external components. This RC oscillator is separate from the RC oscillator of the OSC1/CLKI pin. That means that the WDT will run, even if the clock on the OSC1/CLKI and OSC2/CLKO/RA6 pins of the device has been stopped, for example, by execution of a SLEEP instruction.

During normal operation, a WDT time-out generates a device Reset (Watchdog Timer Reset). If the device is in Sleep mode, a WDT time-out causes the device to wake-up and continue with normal operation (Watchdog Timer wake-up). The  $\overline{TO}$  bit in the RCON register will be cleared upon a WDT time-out.

The Watchdog Timer is enabled/disabled by a device configuration bit. If the WDT is enabled, software execution may not disable this function. When the WDTEEN configuration bit is cleared, the SWDTEN bit enables/disables the operation of the WDT.

The WDT time-out period values may be found in the Electrical Specifications section under parameter #31. Values for the WDT postscaler may be assigned using the configuration bits.

**Note 1:** The CLRWDT and SLEEP instructions clear the WDT and the postscaler, if assigned to the WDT and prevent it from timing out and generating a device Reset condition.

**2:** When a CLRWDT instruction is executed and the postscaler is assigned to the WDT, the postscaler count will be cleared, but the postscaler assignment is not changed.

### 23.2.1 CONTROL REGISTER

Register 23-15 shows the WDTCON register. This is a readable and writable register, which contains a control bit that allows software to override the WDT enable configuration bit, only when the configuration bit has disabled the WDT.

**REGISTER 23-15: WDTCON REGISTER**

|       |     |     |     |     |     |     |     |        |
|-------|-----|-----|-----|-----|-----|-----|-----|--------|
|       | U-0 | U-0 | U-0 | U-0 | U-0 | U-0 | U-0 | R/W-0  |
|       | —   | —   | —   | —   | —   | —   | —   | SWDTEN |
| bit 7 |     |     |     |     |     |     |     | bit 0  |

bit 7-1 **Unimplemented:** Read as '0'

bit 0 **SWDTEN:** Software Controlled Watchdog Timer Enable bit

1 = Watchdog Timer is on

0 = Watchdog Timer is turned off if the WDTEEN configuration bit in the configuration register = 0

**Legend:**

R = Readable bit

W = Writable bit

U = Unimplemented bit, read as '0'

- n = Value at POR

'1' = Bit is set

'0' = Bit is cleared

x = Bit is unknown

# PIC18F6520/8520/6620/8620/6720/8720

## 23.2.2 WDT POSTSCALER

The WDT has a postscaler that can extend the WDT Reset period. The postscaler is selected at the time of the device programming by the value written to the CONFIG2H Configuration register.

**FIGURE 23-1: WATCHDOG TIMER BLOCK DIAGRAM**



**TABLE 23-2: SUMMARY OF WATCHDOG TIMER REGISTERS**

| Name     | Bit 7 | Bit 6 | Bit 5 | Bit 4           | Bit 3           | Bit 2           | Bit 1            | Bit 0            |
|----------|-------|-------|-------|-----------------|-----------------|-----------------|------------------|------------------|
| CONFIG2H | —     | —     | —     | —               | WDTPS2          | WDTPS2          | WDTPS0           | WDTEN            |
| RCON     | IPEN  | —     | —     | $\overline{RI}$ | $\overline{TO}$ | $\overline{PD}$ | $\overline{POR}$ | $\overline{BOR}$ |
| WDTCON   | —     | —     | —     | —               | —               | —               | —                | SWDTEN           |

**Legend:** Shaded cells are not used by the Watchdog Timer.

# PIC18F6520/8520/6620/8620/6720/8720

## 23.3 Power-down Mode (Sleep)

Power-down mode is entered by executing a `SLEEP` instruction.

If enabled, the Watchdog Timer will be cleared, but keeps running, the `PD` bit (`RCON<3>`) is cleared, the `TO` (`RCON<4>`) bit is set and the oscillator driver is turned off. The I/O ports maintain the status they had before the `SLEEP` instruction was executed (driving high, low or high-impedance).

For lowest current consumption in this mode, place all I/O pins at either `VDD` or `VSS`, ensure no external circuitry is drawing current from the I/O pin, power-down the A/D and disable external clocks. Pull all I/O pins that are high-impedance inputs, high or low externally, to avoid switching currents caused by floating inputs. The `TOCKI` input should also be at `VDD` or `VSS` for lowest current consumption. The contribution from on-chip pull-ups on `PORTB` should be considered.

The `MCLR` pin must be at a logic high level (`VIHMC`).

### 23.3.1 WAKE-UP FROM SLEEP

The device can wake-up from Sleep through one of the following events:

1. External Reset input on `MCLR` pin.
2. Watchdog Timer Wake-up (if WDT was enabled).
3. Interrupt from `INT` pin, `RB` port change or a peripheral interrupt.

The following peripheral interrupts can wake the device from Sleep:

1. PSP read or write.
2. TMR1 interrupt. Timer1 must be operating as an asynchronous counter.
3. TMR3 interrupt. Timer3 must be operating as an asynchronous counter.
4. CCP Capture mode interrupt.
5. Special event trigger (Timer1 in Asynchronous mode using an external clock).
6. MSSP (Start/Stop) bit detect interrupt.
7. MSSP transmit or receive in Slave mode (`SPI/I2C`).
8. USART RX or TX (Synchronous Slave mode).
9. A/D conversion (when A/D clock source is RC).
10. EEPROM write operation complete.
11. LVD interrupt.

Other peripherals cannot generate interrupts, since during Sleep, no on-chip clocks are present.

External `MCLR` Reset will cause a device Reset. All other events are considered a continuation of program execution and will cause a “wake-up”. The `TO` and `PD` bits in the `RCON` register can be used to determine the cause of the device Reset. The `PD` bit, which is set on power-up, is cleared when Sleep is invoked. The `TO` bit is cleared if a WDT time-out occurred (and caused wake-up).

When the `SLEEP` instruction is being executed, the next instruction (`PC + 2`) is prefetched. For the device to wake-up through an interrupt event, the corresponding interrupt enable bit must be set (enabled). Wake-up is regardless of the state of the `GIE` bit. If the `GIE` bit is clear (disabled), the device continues execution at the instruction after the `SLEEP` instruction. If the `GIE` bit is set (enabled), the device executes the instruction after the `SLEEP` instruction and then branches to the interrupt address. In cases where the execution of the instruction following `SLEEP` is not desirable, the user should have a `NOP` after the `SLEEP` instruction.

### 23.3.2 WAKE-UP USING INTERRUPTS

When global interrupts are disabled (`GIE` cleared) and any interrupt source has both its interrupt enable bit and interrupt flag bit set, one of the following will occur:

- If an interrupt condition (interrupt flag bit and interrupt enable bits are set) occurs **before** the execution of a `SLEEP` instruction, the `SLEEP` instruction will complete as a `NOP`. Therefore, the `WDT` and `WDT` postscaler will not be cleared, the `TO` bit will not be set and `PD` bits will not be cleared.
- If the interrupt condition occurs **during or after** the execution of a `SLEEP` instruction, the device will immediately wake-up from Sleep. The `SLEEP` instruction will be completely executed before the wake-up. Therefore, the `WDT` and `WDT` postscaler will be cleared, the `TO` bit will be set and the `PD` bit will be cleared.

Even if the flag bits were checked before executing a `SLEEP` instruction, it may be possible for flag bits to become set before the `SLEEP` instruction completes. To determine whether a `SLEEP` instruction executed, test the `PD` bit. If the `PD` bit is set, the `SLEEP` instruction was executed as a `NOP`.

To ensure that the `WDT` is cleared, a `CLRWDT` instruction should be executed before a `SLEEP` instruction.

# PIC18F6520/8520/6620/8620/6720/8720

**FIGURE 23-2: WAKE-UP FROM SLEEP THROUGH INTERRUPT<sup>(1,2)</sup>**



## 23.4 Program Verification and Code Protection

The overall structure of the code protection on the PIC18 Flash devices differs significantly from other PIC<sup>®</sup> devices. The user program memory is divided on binary boundaries into individual blocks, each of which has three separate code protection bits associated with it:

- Code-Protect bit (CP<sub>n</sub>)
- Write-Protect bit (WRT<sub>n</sub>)
- External Block Table Read bit (EBTR<sub>n</sub>)

The code protection bits are located in Configuration Registers 5L through 7H. Their locations within the registers are summarized in Table 23-3.

In the PIC18FXX20 family, the block size varies with the size of the user program memory. For PIC18FX520 devices, program memory is divided into four blocks of 8 Kbytes each. The first block is further divided into a boot block of 2 Kbytes and a second block (Block 0) of 6 Kbytes, for a total of five blocks. The organization of the blocks and their associated code protection bits are shown in Figure 23-3.

For PIC18FX620 and PIC18FX720 devices, program memory is divided into blocks of 16 Kbytes. The first block is further divided into a boot block of 512 bytes and a second block (Block 0) of 15.5 Kbytes, for a total of nine blocks. This produces five blocks for 64-Kbyte devices and nine for 128-Kbyte devices. The organization of the blocks and their associated code protection bits are shown in Figure 23-4.

**TABLE 23-3: SUMMARY OF CODE PROTECTION REGISTERS**

| File Name |          | Bit 7                | Bit 6                | Bit 5                | Bit 4                | Bit 3 | Bit 2 | Bit 1 | Bit 0 |
|-----------|----------|----------------------|----------------------|----------------------|----------------------|-------|-------|-------|-------|
| 300008h   | CONFIG5L | CP7 <sup>(1)</sup>   | CP6 <sup>(1)</sup>   | CP5 <sup>(1)</sup>   | CP4 <sup>(1)</sup>   | CP3   | CP2   | CP1   | CP0   |
| 300009h   | CONFIG5H | CPD                  | CPB                  | —                    | —                    | —     | —     | —     | —     |
| 30000Ah   | CONFIG6L | WRT7 <sup>(1)</sup>  | WRT6 <sup>(1)</sup>  | WRT5 <sup>(1)</sup>  | WRT4 <sup>(1)</sup>  | WRT3  | WRT2  | WRT1  | WRT0  |
| 30000Bh   | CONFIG6H | WRTD                 | WRTB                 | WRTC                 | —                    | —     | —     | —     | —     |
| 30000Ch   | CONFIG7L | EBTR7 <sup>(1)</sup> | EBTR6 <sup>(1)</sup> | EBTR5 <sup>(1)</sup> | EBTR4 <sup>(1)</sup> | EBTR3 | EBTR2 | EBTR1 | EBTR0 |
| 30000Dh   | CONFIG7H | —                    | EBTRB                | —                    | —                    | —     | —     | —     | —     |

**Legend:** Shaded cells are unimplemented.

**Note 1:** Unimplemented in PIC18FX520 and PIC18FX620 devices.

# PIC18F6520/8520/6620/8620/6720/8720

**FIGURE 23-3: CODE-PROTECTED PROGRAM MEMORY FOR PIC18FX520 DEVICES**

| 32 Kbytes                  |  | Address Range                       | Block Code Protection Controlled By: |
|----------------------------|--|-------------------------------------|--------------------------------------|
| Boot Block                 |  | 000000h<br>0007FFh                  | CPB, WRTB, EBTRB                     |
| Block 0                    |  | 000800h<br>001FFFh                  | CP0, WRT0, EBTR0                     |
| Block 1                    |  | 002000h<br>003FFFh                  | CP1, WRT1, EBTR1                     |
| Block 2                    |  | 004000h<br>005FFFh                  | CP2, WRT2, EBTR2                     |
| Block 3                    |  | 006000h<br>007FFFh                  | CP3, WRT3, EBTR3                     |
| Unimplemented<br>Read '0's |  | 008000h<br><br><br><br><br>1FFFFFFh |                                      |

**FIGURE 23-4: CODE-PROTECTED PROGRAM MEMORY FOR PIC18FX620/X720 DEVICES**

| MEMORY SIZE/DEVICE         |                            | Address Range      | Block Code Protection Controlled By: |
|----------------------------|----------------------------|--------------------|--------------------------------------|
| 64 Kbytes<br>(PIC18FX620)  | 128 Kbytes<br>(PIC18FX720) |                    |                                      |
| Boot Block                 | Boot Block                 | 000000h<br>0001FFh | CPB, WRTB, EBTRB                     |
| Block 0                    | Block 0                    | 000200h<br>003FFFh | CP0, WRT0, EBTR0                     |
| Block 1                    | Block 1                    | 004000h<br>007FFFh | CP1, WRT1, EBTR1                     |
| Block 2                    | Block 2                    | 008000h<br>00BFFFh | CP2, WRT2, EBTR2                     |
| Block 3                    | Block 3                    | 00C000h<br>00FFFFh | CP3, WRT3, EBTR3                     |
| Unimplemented<br>Read '0's | Block 4                    | 010000h<br>013FFFh | CP4, WRT4, EBTR4                     |
|                            | Block 5                    | 014000h<br>017FFFh | CP5, WRT5, EBTR5                     |
|                            | Block 6                    | 018000h<br>01BFFFh | CP6, WRT6, EBTR6                     |
|                            | Block 7                    | 01C000h<br>01FFFFh | CP7, WRT7, EBTR7                     |

# PIC18F6520/8520/6620/8620/6720/8720

## 23.4.1 PROGRAM MEMORY CODE PROTECTION

The user memory may be read to, or written from, any location using the table read and table write instructions. The device ID may be read with table reads. The configuration registers may be read and written with the table read and table write instructions.

In user mode, the CPn bits have no direct effect. CPn bits inhibit external reads and writes. A block of user memory may be protected from table writes if the WRTn configuration bit is '0'. The EBTRn bits control table reads. For a block of user memory with the EBTRn bit set to '0', a table read instruction that executes from within that block is allowed to read. A table read instruction that executes from a location out-

side of that block is not allowed to read and will result in reading '0's. Figures 23-5 through 23-7 illustrate table write and table read protection using devices with a 16-Kbyte block size as the models. The principles illustrated are identical for devices with an 8-Kbyte block size.

**Note:** Code protection bits may only be written to a '0' from a '1' state. It is not possible to write a '1' to a bit in the '0' state. Code protection bits are only set to '1' by a full chip erase or block erase function. The full chip erase and block erase functions can only be initiated via ICSP or an external programmer.

**FIGURE 23-5: TABLE WRITE (WRTn) DISALLOWED**



# PIC18F6520/8520/6620/8620/6720/8720

**FIGURE 23-6: EXTERNAL BLOCK TABLE READ (EBTRn) DISALLOWED**



**FIGURE 23-7: EXTERNAL BLOCK TABLE READ (EBTRn) ALLOWED**





# PIC18F6520/8520/6620/8620/6720/8720

## 23.4.2 DATA EEPROM CODE PROTECTION

The entire data EEPROM is protected from external reads and writes by two bits: CPD and WRTD. CPD inhibits external reads and writes of data EEPROM. WRTD inhibits external writes to data EEPROM. The CPU can continue to read and write data EEPROM, regardless of the protection bit settings.

## 23.4.3 CONFIGURATION REGISTER PROTECTION

The configuration registers can be write-protected. The WRTC bit controls protection of the configuration registers. In user mode, the WRTC bit is readable only. WRTC can only be written via ICSP or an external programmer.

## 23.5 ID Locations

Eight memory locations (200000h-200007h) are designated as ID locations, where the user can store checksum or other code identification numbers. These locations are accessible during normal execution through the TBLRD and TBLWT instructions or during program/verify. The ID locations can be read when the device is code-protected.

## 23.6 In-Circuit Serial Programming

PIC18FX520/X620/X720 microcontrollers can be serially programmed while in the end application circuit. This is simply done with two lines for clock and data and three other lines for power, ground and the programming voltage. This allows customers to manufacture boards with unprogrammed devices and then program the microcontroller just before shipping the product. This also allows the most recent firmware or a custom firmware to be programmed.

**Note:** When performing In-Circuit Serial Programming, verify that power is connected to all VDD and AVDD pins of the microcontroller and that all VSS and AVSS pins are grounded.

## 23.7 In-Circuit Debugger

When the DEBUG bit in the CONFIG4L Configuration register is programmed to a '0', the In-Circuit Debugger functionality is enabled. This function allows simple debugging functions when used with MPLAB® IDE. When the microcontroller has this feature enabled, some of the resources are not available for general use. Table 23-4 shows which features are consumed by the background debugger.

**TABLE 23-4: DEBUGGER RESOURCES**

|                |                |
|----------------|----------------|
| I/O pins       | RB6, RB7       |
| Stack          | 2 levels       |
| Program Memory | Last 576 bytes |
| Data Memory    | Last 10 bytes  |

To use the In-Circuit Debugger function of the microcontroller, the design must implement In-Circuit Serial Programming connections to MCLR/VPP, VDD, GND, RB7 and RB6. This will interface to the In-Circuit Debugger module available from Microchip or one of the third party development tool companies.

## 23.8 Low-Voltage ICSP Programming

The LVP bit in the CONFIG4L Configuration register enables Low-Voltage ICSP Programming. This mode allows the microcontroller to be programmed via ICSP using a VDD source in the operating voltage range. This only means that VPP does not have to be brought to VIH, but can instead be left at the normal operating voltage. In this mode, the RB5/PGM pin is dedicated to the programming function and ceases to be a general purpose I/O pin. During programming, VDD is applied to the MCLR/VPP pin. To enter Programming mode, VDD must be applied to the RB5/PGM pin, provided the LVP bit is set. The LVP bit defaults to a '1' from the factory.

- Note 1:** The High-Voltage Programming mode is always available, regardless of the state of the LVP bit, by applying VIH to the MCLR pin.
- 2:** While in Low-Voltage ICSP mode, the RB5 pin can no longer be used as a general purpose I/O pin and should be held low during normal operation.
- 3:** When using Low-Voltage ICSP Programming (LVP) and the pull-ups on PORTB are enabled, bit 5 in the TRISB register must be cleared to disable the pull-up on RB5 and ensure the proper operation of the device.

If Low-Voltage Programming mode is not used, the LVP bit can be programmed to a '0' and RB5/PGM becomes a digital I/O pin. However, the LVP bit may only be programmed when programming is entered with VIH on MCLR/VPP.

It should be noted that once the LVP bit is programmed to '0', only the High-Voltage Programming mode is available and only High-Voltage Programming mode can be used to program the device.

When using Low-Voltage ICSP Programming, the part must be supplied 4.5V to 5.5V if a bulk erase will be executed. This includes reprogramming of the code-protect bits from an on state to an off state. For all other cases of Low-Voltage ICSP, the part may be programmed at the normal operating voltage. This means unique user IDs or user code can be reprogrammed or added.

# PIC18F6520/8520/6620/8620/6720/8720

---

NOTES:

## 24.0 INSTRUCTION SET SUMMARY

The PIC18 instruction set adds many enhancements to the previous PIC MCU instruction sets, while maintaining an easy migration from these PIC MCU instruction sets.

Most instructions are a single program memory word (16 bits), but there are three instructions that require two program memory locations.

Each single-word instruction is a 16-bit word divided into an opcode, which specifies the instruction type and one or more operands, which further specify the operation of the instruction.

The instruction set is highly orthogonal and is grouped into four basic categories:

- **Byte-oriented** operations
- **Bit-oriented** operations
- **Literal** operations
- **Control** operations

The PIC18 instruction set summary in Table 24-1 lists **byte-oriented**, **bit-oriented**, **literal** and **control** operations. Table 24-1 shows the opcode field descriptions.

Most **byte-oriented** instructions have three operands:

1. The file register (specified by 'f')
2. The destination of the result (specified by 'd')
3. The accessed memory (specified by 'a')

The file register designator 'f' specifies which file register is to be used by the instruction.

The destination designator 'd' specifies where the result of the operation is to be placed. If 'd' is zero, the result is placed in the WREG register. If 'd' is one, the result is placed in the file register specified in the instruction.

All **bit-oriented** instructions have three operands:

1. The file register (specified by 'f')
2. The bit in the file register (specified by 'b')
3. The accessed memory (specified by 'a')

The bit field designator 'b' selects the number of the bit affected by the operation, while the file register designator 'f' represents the number of the file in which the bit is located.

The **literal** instructions may use some of the following operands:

- A literal value to be loaded into a file register (specified by 'k')
- The desired FSR register to load the literal value into (specified by 'f')
- No operand required (specified by '—')

The **control** instructions may use some of the following operands:

- A program memory address (specified by 'n')
- The mode of the `CALL` or `RETURN` instructions (specified by 's')
- The mode of the table read and table write instructions (specified by 'm')
- No operand required (specified by '—')

All instructions are a single word, except for three double-word instructions. These three instructions were made double-word instructions so that all the required information is available in these 32 bits. In the second word, the 4 MSBs are '1's. If this second word is executed as an instruction (by itself), it will execute as a `NOOP`.

All single-word instructions are executed in a single instruction cycle, unless a conditional test is true or the program counter is changed as a result of the instruction. In these cases, the execution takes two instruction cycles, with the additional instruction cycle(s) executed as a `NOOP`.

The double-word instructions execute in two instruction cycles.

One instruction cycle consists of four oscillator periods. Thus, for an oscillator frequency of 4 MHz, the normal instruction execution time is 1  $\mu$ s. If a conditional test is true, or the program counter is changed as a result of an instruction, the instruction execution time is 2  $\mu$ s. Two-word branch instructions (if true) would take 3  $\mu$ s.

Figure 24-1 shows the general formats that the instructions can have.

All examples use the format 'nnh' to represent a hexadecimal number, where 'h' signifies a hexadecimal digit.

The Instruction Set Summary, shown in Table 24-1, lists the instructions recognized by the Microchip Assembler (MPASM™).

**Section 24.1 "Instruction Set"** provides a description of each instruction.

# PIC18F6520/8520/6620/8620/6720/8720

**TABLE 24-1: OPCODE FIELD DESCRIPTIONS**

| Field           | Description   |
|-----------------|---|
| a               | RAM access bit<br>a = 0: RAM location in Access RAM (BSR register is ignored)<br>a = 1: RAM bank is specified by BSR register                                   |
| bbb             | Bit address within an 8-bit file register (0 to 7).   |
| BSR             | Bank Select Register. Used to select the current RAM bank.  |
| d               | Destination select bit<br>d = 0: store result in WREG<br>d = 1: store result in file register f   |
| dest            | Destination either the WREG register or the specified register file location.   |
| f               | 8-bit Register file address (0x00 to 0xFF).   |
| fs              | 12-bit Register file address (0x000 to 0xFFF). This is the source address.  |
| fd              | 12-bit Register file address (0x000 to 0xFFF). This is the destination address.   |
| k               | Literal field, constant data or label (may be either an 8-bit, 12-bit or a 20-bit value).   |
| label           | Label name.   |
| mmm             | The mode of the TBLPTR register for the table read and table write instructions.<br>Only used with table read and table write instructions:                     |
| *               | No Change to register (such as TBLPTR with table reads and writes)  |
| *+              | Post-Increment register (such as TBLPTR with table reads and writes)  |
| *-              | Post-Decrement register (such as TBLPTR with table reads and writes)  |
| +*              | Pre-Increment register (such as TBLPTR with table reads and writes)   |
| n               | The relative address (2's complement number) for relative branch instructions, or the direct address for Call/Branch and Return instructions.                   |
| PRODH           | Product of Multiply High Byte.  |
| PRODL           | Product of Multiply Low Byte.   |
| s               | Fast Call/Return mode select bit<br>s = 0: do not update into/from shadow registers<br>s = 1: certain registers loaded into/from shadow registers (Fast mode)   |
| u               | Unused or Unchanged.  |
| WREG            | Working register (accumulator).   |
| x               | Don't care ('0' or '1').<br>The assembler will generate code with x = 0. It is the recommended form of use for compatibility with all Microchip software tools. |
| TBLPTR          | 21-bit Table Pointer (points to a Program Memory location).   |
| TABLAT          | 8-bit Table Latch.  |
| TOS             | Top-of-Stack.   |
| PC              | Program Counter.  |
| PCL             | Program Counter Low Byte.   |
| PCH             | Program Counter High Byte.  |
| PCLATH          | Program Counter High Byte Latch.  |
| PCLATU          | Program Counter Upper Byte Latch.   |
| GIE             | Global Interrupt Enable bit.  |
| WDT             | Watchdog Timer.   |
| T $\bar{O}$     | Time-out bit.   |
| P $\bar{D}$     | Power-down bit.   |
| C, DC, Z, OV, N | ALU Status bits: Carry, Digit Carry, Zero, Overflow, Negative.  |
| [ ]             | Optional.   |
| ( )             | Contents.   |
| →               | Assigned to.  |
| < >             | Register bit field.   |
| ∈               | In the set of.  |
| <i>italics</i>  | User defined term (font is courier).  |

# PIC18F6520/8520/6620/8620/6720/8720

**FIGURE 24-1: GENERAL FORMAT FOR INSTRUCTIONS**



# PIC18F6520/8520/6620/8620/6720/8720

TABLE 24-1: PIC18FXXXX INSTRUCTION SET

| Mnemonic,<br>Operands                         | Description                     | Cycles  | 16-Bit Instruction Word |      |      |      | Status<br>Affected | Notes           |            |
|---|---------------------------------|---|-------------------------|------|------|------|--------------------|-----------------|------------|
|   |                                 |   | MSb                     |      |      | LSb  |                    |                 |            |
| <b>BYTE-ORIENTED FILE REGISTER OPERATIONS</b> |                                 |   |                         |      |      |      |                    |                 |            |
| ADDWF   | f, d, a                         | Add WREG and f  | 1                       | 0010 | 01da | ffff | ffff               | C, DC, Z, OV, N | 1, 2       |
| ADDWFC  | f, d, a                         | Add WREG and Carry bit to f   | 1                       | 0010 | 00da | ffff | ffff               | C, DC, Z, OV, N | 1, 2       |
| ANDWF   | f, d, a                         | AND WREG with f   | 1                       | 0001 | 01da | ffff | ffff               | Z, N            | 1, 2       |
| CLRF  | f, a                            | Clear f   | 1                       | 0110 | 101a | ffff | ffff               | Z               | 2          |
| COMF  | f, d, a                         | Complement f  | 1                       | 0001 | 11da | ffff | ffff               | Z, N            | 1, 2       |
| CPFSEQ  | f, a                            | Compare f with WREG, skip =   | 1 (2 or 3)              | 0110 | 001a | ffff | ffff               | None            | 4          |
| CPFSGT  | f, a                            | Compare f with WREG, skip >   | 1 (2 or 3)              | 0110 | 010a | ffff | ffff               | None            | 4          |
| CPFSLT  | f, a                            | Compare f with WREG, skip <   | 1 (2 or 3)              | 0110 | 000a | ffff | ffff               | None            | 1, 2       |
| DECf  | f, d, a                         | Decrement f   | 1                       | 0000 | 01da | ffff | ffff               | C, DC, Z, OV, N | 1, 2, 3, 4 |
| DECFSZ  | f, d, a                         | Decrement f, Skip if 0  | 1 (2 or 3)              | 0010 | 11da | ffff | ffff               | None            | 1, 2, 3, 4 |
| DCFSNZ  | f, d, a                         | Decrement f, Skip if Not 0  | 1 (2 or 3)              | 0100 | 11da | ffff | ffff               | None            | 1, 2       |
| INCF  | f, d, a                         | Increment f   | 1                       | 0010 | 10da | ffff | ffff               | C, DC, Z, OV, N | 1, 2, 3, 4 |
| INCFsZ  | f, d, a                         | Increment f, Skip if 0  | 1 (2 or 3)              | 0011 | 11da | ffff | ffff               | None            | 4          |
| INFSNZ  | f, d, a                         | Increment f, Skip if Not 0  | 1 (2 or 3)              | 0100 | 10da | ffff | ffff               | None            | 1, 2       |
| IORWF   | f, d, a                         | Inclusive OR WREG with f  | 1                       | 0001 | 00da | ffff | ffff               | Z, N            | 1, 2       |
| MOVF  | f, d, a                         | Move f  | 1                       | 0101 | 00da | ffff | ffff               | Z, N            | 1          |
| MOVFF   | f <sub>s</sub> , f <sub>d</sub> | Move f <sub>s</sub> (source) to 1st word<br>f <sub>d</sub> (destination) 2nd word | 2                       | 1100 | ffff | ffff | ffff               | None            |            |
|   |                                 |   |                         | 1111 | ffff | ffff | ffff               |                 |            |
| MOVWF   | f, a                            | Move WREG to f  | 1                       | 0110 | 111a | ffff | ffff               | None            |            |
| MULWF   | f, a                            | Multiply WREG with f  | 1                       | 0000 | 001a | ffff | ffff               | None            |            |
| NEGF  | f, a                            | Negate f  | 1                       | 0110 | 110a | ffff | ffff               | C, DC, Z, OV, N | 1, 2       |
| RLCF  | f, d, a                         | Rotate Left f through Carry   | 1                       | 0011 | 01da | ffff | ffff               | C, Z, N         |            |
| RLNCF   | f, d, a                         | Rotate Left f (No Carry)  | 1                       | 0100 | 01da | ffff | ffff               | Z, N            | 1, 2       |
| RRCF  | f, d, a                         | Rotate Right f through Carry  | 1                       | 0011 | 00da | ffff | ffff               | C, Z, N         |            |
| RRNCF   | f, d, a                         | Rotate Right f (No Carry)   | 1                       | 0100 | 00da | ffff | ffff               | Z, N            |            |
| SETF  | f, a                            | Set f   | 1                       | 0110 | 100a | ffff | ffff               | None            |            |
| SUBFWB  | f, d, a                         | Subtract f from WREG with<br>borrow   | 1                       | 0101 | 01da | ffff | ffff               | C, DC, Z, OV, N | 1, 2       |
| SUBWF   | f, d, a                         | Subtract WREG from f  | 1                       | 0101 | 11da | ffff | ffff               | C, DC, Z, OV, N |            |
| SUBWFB  | f, d, a                         | Subtract WREG from f with<br>borrow   | 1                       | 0101 | 10da | ffff | ffff               | C, DC, Z, OV, N | 1, 2       |
| SWAPF   | f, d, a                         | Swap nibbles in f   | 1                       | 0011 | 10da | ffff | ffff               | None            | 4          |
| TSTFSZ  | f, a                            | Test f, skip if 0   | 1 (2 or 3)              | 0110 | 011a | ffff | ffff               | None            | 1, 2       |
| XORWF   | f, d, a                         | Exclusive OR WREG with f  | 1                       | 0001 | 10da | ffff | ffff               | Z, N            |            |
| <b>BIT-ORIENTED FILE REGISTER OPERATIONS</b>  |                                 |   |                         |      |      |      |                    |                 |            |
| BCF   | f, b, a                         | Bit Clear f   | 1                       | 1001 | bbba | ffff | ffff               | None            | 1, 2       |
| BSF   | f, b, a                         | Bit Set f   | 1                       | 1000 | bbba | ffff | ffff               | None            | 1, 2       |
| BTFSC   | f, b, a                         | Bit Test f, Skip if Clear   | 1 (2 or 3)              | 1011 | bbba | ffff | ffff               | None            | 3, 4       |
| BTFSS   | f, b, a                         | Bit Test f, Skip if Set   | 1 (2 or 3)              | 1010 | bbba | ffff | ffff               | None            | 3, 4       |
| BTG   | f, d, a                         | Bit Toggle f  | 1                       | 0111 | bbba | ffff | ffff               | None            | 1, 2       |

- Note 1:** When a Port register is modified as a function of itself (e.g., `MOVF PORTB, 1, 0`), the value used will be that value present on the pins themselves. For example, if the data latch is '1' for a pin configured as input and is driven low by an external device, the data will be written back with a '0'.
- Note 2:** If this instruction is executed on the TMR0 register (and where applicable,  $d = 1$ ), the prescaler will be cleared if assigned.
- Note 3:** If Program Counter (PC) is modified or a conditional test is true, the instruction requires two cycles. The second cycle is executed as a NOP.
- Note 4:** Some instructions are 2-word instructions. The second word of these instructions will be executed as a NOP unless the first word of the instruction retrieves the information embedded in these 16 bits. This ensures that all program memory locations have a valid instruction.
- Note 5:** If the table write starts the write cycle to internal memory, the write will continue until terminated.

# PIC18F6520/8520/6620/8620/6720/8720

**TABLE 24-1: PIC18FXXXX INSTRUCTION SET (CONTINUED)**

| Mnemonic,<br>Operands     | Description | Cycles                         | 16-Bit Instruction Word |      |      |      | Status<br>Affected | Notes                             |   |
|---------------------------|-------------|--------------------------------|-------------------------|------|------|------|--------------------|-----------------------------------|---|
|                           |             |                                | MSb                     | LSb  |      |      |                    |                                   |   |
| <b>CONTROL OPERATIONS</b> |             |                                |                         |      |      |      |                    |                                   |   |
| BC                        | n           | Branch if Carry                | 1 (2)                   | 1110 | 0010 | nnnn | nnnn               | None                              |   |
| BN                        | n           | Branch if Negative             | 1 (2)                   | 1110 | 0110 | nnnn | nnnn               | None                              |   |
| BNC                       | n           | Branch if Not Carry            | 1 (2)                   | 1110 | 0011 | nnnn | nnnn               | None                              |   |
| BNN                       | n           | Branch if Not Negative         | 1 (2)                   | 1110 | 0111 | nnnn | nnnn               | None                              |   |
| BNOV                      | n           | Branch if Not Overflow         | 1 (2)                   | 1110 | 0101 | nnnn | nnnn               | None                              |   |
| BNZ                       | n           | Branch if Not Zero             | 1 (2)                   | 1110 | 0001 | nnnn | nnnn               | None                              |   |
| BOV                       | n           | Branch if Overflow             | 1 (2)                   | 1110 | 0100 | nnnn | nnnn               | None                              |   |
| BRA                       | n           | Branch Unconditionally         | 2                       | 1101 | 0nnn | nnnn | nnnn               | None                              |   |
| BZ                        | n           | Branch if Zero                 | 1 (2)                   | 1110 | 0000 | nnnn | nnnn               | None                              |   |
| CALL                      | n, s        | Call subroutine 1st word       | 2                       | 1110 | 110s | kkkk | kkkk               | None                              |   |
|                           |             | 2nd word                       |                         | 1111 | kkkk | kkkk | kkkk               |                                   |   |
| CLRWDT                    | —           | Clear Watchdog Timer           | 1                       | 0000 | 0000 | 0000 | 0100               | $\overline{TO}$ , $\overline{PD}$ |   |
| DAW                       | —           | Decimal Adjust WREG            | 1                       | 0000 | 0000 | 0000 | 0111               | C                                 |   |
| GOTO                      | n           | Go to address 1st word         | 2                       | 1110 | 1111 | kkkk | kkkk               | None                              |   |
|                           |             | 2nd word                       |                         | 1111 | kkkk | kkkk | kkkk               |                                   |   |
| NOP                       | —           | No Operation                   | 1                       | 0000 | 0000 | 0000 | 0000               | None                              |   |
| NOP                       | —           | No Operation                   | 1                       | 1111 | xxxx | xxxx | xxxx               | None                              | 4 |
| POP                       | —           | Pop top of return stack (TOS)  | 1                       | 0000 | 0000 | 0000 | 0110               | None                              |   |
| PUSH                      | —           | Push top of return stack (TOS) | 1                       | 0000 | 0000 | 0000 | 0101               | None                              |   |
| RCALL                     | n           | Relative Call                  | 2                       | 1101 | 1nnn | nnnn | nnnn               | None                              |   |
| RESET                     |             | Software device Reset          | 1                       | 0000 | 0000 | 1111 | 1111               | All                               |   |
| RETFIE                    | s           | Return from interrupt enable   | 2                       | 0000 | 0000 | 0001 | 000s               | GIE/GIEH,<br>PEIE/GIEL            |   |
| RETLW                     | k           | Return with literal in WREG    | 2                       | 0000 | 1100 | kkkk | kkkk               | None                              |   |
| RETURN                    | s           | Return from Subroutine         | 2                       | 0000 | 0000 | 0001 | 001s               | None                              |   |
| SLEEP                     | —           | Go into Standby mode           | 1                       | 0000 | 0000 | 0000 | 0011               | $\overline{TO}$ , $\overline{PD}$ |   |

- Note 1:** When a Port register is modified as a function of itself (e.g., `MOVF PORTB, 1, 0`), the value used will be that value present on the pins themselves. For example, if the data latch is '1' for a pin configured as input and is driven low by an external device, the data will be written back with a '0'.
- 2:** If this instruction is executed on the TMR0 register (and where applicable,  $d = 1$ ), the prescaler will be cleared if assigned.
- 3:** If Program Counter (PC) is modified or a conditional test is true, the instruction requires two cycles. The second cycle is executed as a NOP.
- 4:** Some instructions are 2-word instructions. The second word of these instructions will be executed as a NOP unless the first word of the instruction retrieves the information embedded in these 16 bits. This ensures that all program memory locations have a valid instruction.
- 5:** If the table write starts the write cycle to internal memory, the write will continue until terminated.

# PIC18F6520/8520/6620/8620/6720/8720

**TABLE 24-1: PIC18FXXXX INSTRUCTION SET (CONTINUED)**

| Mnemonic,<br>Operands                          | Description | Cycles   | 16-Bit Instruction Word |      |      |      | Status<br>Affected | Notes           |
|--|-------------|--|-------------------------|------|------|------|--------------------|-----------------|
|  |             |  | MSb                     |      |      | LSb  |                    |                 |
| <b>LITERAL OPERATIONS</b>                      |             |  |                         |      |      |      |                    |                 |
| ADDLW  | k           | Add literal and WREG                               | 1                       | 0000 | 1111 | kkkk | kkkk               | C, DC, Z, OV, N |
| ANDLW  | k           | AND literal with WREG                              | 1                       | 0000 | 1011 | kkkk | kkkk               | Z, N            |
| IORLW  | k           | Inclusive OR literal with WREG                     | 1                       | 0000 | 1001 | kkkk | kkkk               | Z, N            |
| LFSR   | f, k        | Move literal (12-bit) 2nd word<br>to FSRx 1st word | 2                       | 1110 | 1110 | 00ff | kkkk               | None            |
| MOVLB  | k           | Move literal to BSR<3:0>                           | 1                       | 0000 | 0001 | 0000 | kkkk               | None            |
| MOVLW  | k           | Move literal to WREG                               | 1                       | 0000 | 1110 | kkkk | kkkk               | None            |
| MULLW  | k           | Multiply literal with WREG                         | 1                       | 0000 | 1101 | kkkk | kkkk               | None            |
| RETLW  | k           | Return with literal in WREG                        | 2                       | 0000 | 1100 | kkkk | kkkk               | None            |
| SUBLW  | k           | Subtract WREG from literal                         | 1                       | 0000 | 1000 | kkkk | kkkk               | C, DC, Z, OV, N |
| XORLW  | k           | Exclusive OR literal with WREG                     | 1                       | 0000 | 1010 | kkkk | kkkk               | Z, N            |
| <b>DATA MEMORY ↔ PROGRAM MEMORY OPERATIONS</b> |             |  |                         |      |      |      |                    |                 |
| TBLRD*   |             | Table Read   | 2                       | 0000 | 0000 | 0000 | 1000               | None            |
| TBLRD*+  |             | Table Read with post-increment                     |                         | 0000 | 0000 | 0000 | 1001               | None            |
| TBLRD*-  |             | Table Read with post-decrement                     |                         | 0000 | 0000 | 0000 | 1010               | None            |
| TBLRD*+  |             | Table Read with pre-increment                      |                         | 0000 | 0000 | 0000 | 1011               | None            |
| TBLWT*   |             | Table Write  | 2 (5)                   | 0000 | 0000 | 0000 | 1100               | None            |
| TBLWT*+  |             | Table Write with post-increment                    |                         | 0000 | 0000 | 0000 | 1101               | None            |
| TBLWT*-  |             | Table Write with post-decrement                    |                         | 0000 | 0000 | 0000 | 1110               | None            |
| TBLWT*+  |             | Table Write with pre-increment                     |                         | 0000 | 0000 | 0000 | 1111               | None            |

- Note 1:** When a Port register is modified as a function of itself (e.g., `MOVF PORTB, 1, 0`), the value used will be that value present on the pins themselves. For example, if the data latch is '1' for a pin configured as input and is driven low by an external device, the data will be written back with a '0'.
- 2:** If this instruction is executed on the TMR0 register (and where applicable,  $d = 1$ ), the prescaler will be cleared if assigned.
- 3:** If Program Counter (PC) is modified or a conditional test is true, the instruction requires two cycles. The second cycle is executed as a `NOOP`.
- 4:** Some instructions are 2-word instructions. The second word of these instructions will be executed as a `NOOP` unless the first word of the instruction retrieves the information embedded in these 16 bits. This ensures that all program memory locations have a valid instruction.
- 5:** If the table write starts the write cycle to internal memory, the write will continue until terminated.



# PIC18F6520/8520/6620/8620/6720/8720

## 24.1 Instruction Set

### ADDLW      ADD literal to W

**Syntax:**      [ *label* ] ADDLW   k

**Operands:**     $0 \leq k \leq 255$

**Operation:**     $(W) + k \rightarrow W$

**Status Affected:** N, OV, C, DC, Z

**Encoding:**

|      |      |      |      |
|------|------|------|------|
| 0000 | 1111 | kkkk | kkkk |
|------|------|------|------|

**Description:**    The contents of W are added to the 8-bit literal 'k' and the result is placed in W.

**Words:**        1

**Cycles:**        1

**Q Cycle Activity:**

| Q1     | Q2                  | Q3              | Q4         |
|--------|---------------------|-----------------|------------|
| Decode | Read<br>literal 'k' | Process<br>Data | Write to W |

**Example:**      ADDLW    0x15

Before Instruction

W    =    0x10

After Instruction

W    =    0x25

### ADDWF      ADD W to f

**Syntax:**      [ *label* ] ADDWF   f [,d [,a] f [,d [,a]

**Operands:**     $0 \leq f \leq 255$   
d  $\in$  [0,1]  
a  $\in$  [0,1]

**Operation:**     $(W) + (f) \rightarrow \text{dest}$

**Status Affected:** N, OV, C, DC, Z

**Encoding:**

|      |      |      |      |
|------|------|------|------|
| 0010 | 01da | ffff | ffff |
|------|------|------|------|

**Description:**    Add W to register 'f'. If 'd' is '0', the result is stored in W. If 'd' is '1', the result is stored back in register 'f' (default). If 'a' is '0', the Access Bank will be selected. If 'a' is '1', the BSR is used.

**Words:**        1

**Cycles:**        1

**Q Cycle Activity:**

| Q1     | Q2                   | Q3              | Q4                      |
|--------|----------------------|-----------------|-------------------------|
| Decode | Read<br>register 'f' | Process<br>Data | Write to<br>destination |

**Example:**      ADDWF    REG, 0, 0

Before Instruction

W    =    0x17

REG =    0xC2

After Instruction

W    =    0xD9

REG =    0xC2

# PIC18F6520/8520/6620/8620/6720/8720

## ADDWFC      ADD W and Carry bit to f

Syntax:      [ *label* ] ADDWFC    f [,d [,a]

Operands:     $0 \leq f \leq 255$   
                $d \in [0,1]$   
                $a \in [0,1]$

Operation:     $(W) + (f) + (C) \rightarrow \text{dest}$

Status Affected:    N, OV, C, DC, Z

Encoding:     

|      |      |      |      |
|------|------|------|------|
| 0010 | 00da | ffff | ffff |
|------|------|------|------|

Description:    Add W, the Carry flag and data memory location 'f'. If 'd' is '0', the result is placed in W. If 'd' is '1', the result is placed in data memory location 'f'. If 'a' is '0', the Access Bank will be selected. If 'a' is '1', the BSR will not be overridden.

Words:        1

Cycles:       1

Q Cycle Activity:

| Q1     | Q2                | Q3           | Q4                   |
|--------|-------------------|--------------|----------------------|
| Decode | Read register 'f' | Process Data | Write to destination |

**Example:**      ADDWFC    REG, 0, 1

**Before Instruction**  
     Carry bit = 1  
     REG       = 0x02  
     W          = 0x4D

**After Instruction**  
     Carry bit = 0  
     REG       = 0x02  
     W          = 0x50

## ANDLW        AND literal with W

Syntax:      [ *label* ] ANDLW    k

Operands:     $0 \leq k \leq 255$

Operation:     $(W) .AND. k \rightarrow W$

Status Affected:    N, Z

Encoding:     

|      |      |      |      |
|------|------|------|------|
| 0000 | 1011 | kkkk | kkkk |
|------|------|------|------|

Description:    The contents of W are AND'ed with the 8-bit literal 'k'. The result is placed in W.

Words:        1

Cycles:       1

Q Cycle Activity:

| Q1     | Q2               | Q3           | Q4         |
|--------|------------------|--------------|------------|
| Decode | Read literal 'k' | Process Data | Write to W |

**Example:**      ANDLW    0x5F

**Before Instruction**  
     W         = 0xA3

**After Instruction**  
     W         = 0x03

# PIC18F6520/8520/6620/8620/6720/8720

**ANDWF**      **AND W with f**

---

Syntax:      [ *label* ] ANDWF    f [,d [,a]

Operands:     $0 \leq f \leq 255$   
 $d \in [0,1]$   
 $a \in [0,1]$

Operation:    (W) .AND. (f) → dest

Status Affected: N, Z

Encoding:    

|      |      |      |      |
|------|------|------|------|
| 0001 | 01da | ffff | ffff |
|------|------|------|------|

Description:    The contents of W are AND'ed with register 'f'. If 'd' is '0', the result is stored in W. If 'd' is '1', the result is stored back in register 'f' (default). If 'a' is '0', the Access Bank will be selected. If 'a' is '1', the BSR will not be overridden (default).

Words:      1

Cycles:      1

Q Cycle Activity:

| Q1     | Q2                | Q3           | Q4                   |
|--------|-------------------|--------------|----------------------|
| Decode | Read register 'f' | Process Data | Write to destination |

**Example:**      ANDWF    REG, 0, 0

Before Instruction

W      =    0x17  
REG    =    0xC2

After Instruction

W      =    0x02  
REG    =    0xC2

**BC**      **Branch if Carry**

---

Syntax:      [ *label* ] BC    n

Operands:     $-128 \leq n \leq 127$

Operation:    if Carry bit is '1'  
(PC) + 2 + 2n → PC

Status Affected: None

Encoding:    

|      |      |      |      |
|------|------|------|------|
| 1110 | 0010 | nnnn | nnnn |
|------|------|------|------|

Description:    If the Carry bit is '1', then the program will branch. The 2's complement number '2n' is added to the PC. Since the PC will have incremented to fetch the next instruction, the new address will be PC+2+2n. This instruction is then a two-cycle instruction.

Words:      1

Cycles:      1(2)

Q Cycle Activity:

If Jump:

| Q1           | Q2               | Q3           | Q4           |
|--------------|------------------|--------------|--------------|
| Decode       | Read literal 'n' | Process Data | Write to PC  |
| No operation | No operation     | No operation | No operation |

If No Jump:

| Q1     | Q2               | Q3           | Q4           |
|--------|------------------|--------------|--------------|
| Decode | Read literal 'n' | Process Data | No operation |

**Example:**      HERE      BC    5

Before Instruction

PC      =    address (HERE)

After Instruction

If Carry    =    1;  
PC      =    address (HERE+12)  
If Carry    =    0;  
PC      =    address (HERE+2)

# PIC18F6520/8520/6620/8620/6720/8720

## BCF Bit Clear f

Syntax: [ *label* ] BCF f,b[*a*]

Operands:  $0 \leq f \leq 255$   
 $0 \leq b \leq 7$   
 $a \in [0,1]$

Operation:  $0 \rightarrow f < b >$

Status Affected: None

Encoding: 

|      |      |      |      |
|------|------|------|------|
| 1001 | bbba | ffff | ffff |
|------|------|------|------|

Description: Bit 'b' in register 'f' is cleared. If 'a' is '0', the Access Bank will be selected, overriding the BSR value. If 'a' = 1, then the bank will be selected as per the BSR value (default).

Words: 1

Cycles: 1

Q Cycle Activity:

| Q1     | Q2                | Q3           | Q4                 |
|--------|-------------------|--------------|--------------------|
| Decode | Read register 'f' | Process Data | Write register 'f' |

**Example:** BCF FLAG\_REG, 7, 0

Before Instruction  
 FLAG\_REG = 0xC7  
 After Instruction  
 FLAG\_REG = 0x47

## BN Branch if Negative

Syntax: [ *label* ] BN n

Operands:  $-128 \leq n \leq 127$

Operation: if Negative bit is '1'  
 $(PC) + 2 + 2n \rightarrow PC$

Status Affected: None

Encoding: 

|      |      |      |      |
|------|------|------|------|
| 1110 | 0110 | nnnn | nnnn |
|------|------|------|------|

Description: If the Negative bit is '1', then the program will branch. The 2's complement number '2n' is added to the PC. Since the PC will have incremented to fetch the next instruction, the new address will be  $PC+2+2n$ . This instruction is then a two-cycle instruction.

Words: 1

Cycles: 1(2)

Q Cycle Activity:

If Jump:

| Q1           | Q2               | Q3           | Q4           |
|--------------|------------------|--------------|--------------|
| Decode       | Read literal 'n' | Process Data | Write to PC  |
| No operation | No operation     | No operation | No operation |

If No Jump:

| Q1     | Q2               | Q3           | Q4           |
|--------|------------------|--------------|--------------|
| Decode | Read literal 'n' | Process Data | No operation |

**Example:** HERE BN Jump

Before Instruction  
 PC = address (HERE)  
 After Instruction  
 If Negative = 1;  
 PC = address (Jump)  
 If Negative = 0;  
 PC = address (HERE+2)

# PIC18F6520/8520/6620/8620/6720/8720

**BNC**                      **Branch if Not Carry**

---

Syntax:                    [ *label* ] BNC n

Operands:                -128 ≤ n ≤ 127

Operation:                if Carry bit is '0'  
(PC) + 2 + 2n → PC

Status Affected:        None

Encoding:                

|      |      |      |      |
|------|------|------|------|
| 1110 | 0011 | nnnn | nnnn |
|------|------|------|------|

Description:             If the Carry bit is '0', then the program will branch. The 2's complement number '2n' is added to the PC. Since the PC will have incremented to fetch the next instruction, the new address will be PC+2+2n. This instruction is then a two-cycle instruction.

Words:                    1

Cycles:                    1(2)

Q Cycle Activity:

If Jump:

| Q1           | Q2               | Q3           | Q4           |
|--------------|------------------|--------------|--------------|
| Decode       | Read literal 'n' | Process Data | Write to PC  |
| No operation | No operation     | No operation | No operation |

If No Jump:

| Q1     | Q2               | Q3           | Q4           |
|--------|------------------|--------------|--------------|
| Decode | Read literal 'n' | Process Data | No operation |

Example:                       HERE        BNC    Jump

Before Instruction  
PC = address (HERE)

After Instruction  
If Carry = 0;  
PC = address (Jump)  
If Carry = 1;  
PC = address (HERE+2)

**BNN**                      **Branch if Not Negative**

---

Syntax:                    [ *label* ] BNN n

Operands:                -128 ≤ n ≤ 127

Operation:                if Negative bit is '0'  
(PC) + 2 + 2n → PC

Status Affected:        None

Encoding:                

|      |      |      |      |
|------|------|------|------|
| 1110 | 0111 | nnnn | nnnn |
|------|------|------|------|

Description:             If the Negative bit is '0', then the program will branch. The 2's complement number '2n' is added to the PC. Since the PC will have incremented to fetch the next instruction, the new address will be PC+2+2n. This instruction is then a two-cycle instruction.

Words:                    1

Cycles:                    1(2)

Q Cycle Activity:

If Jump:

| Q1           | Q2               | Q3           | Q4           |
|--------------|------------------|--------------|--------------|
| Decode       | Read literal 'n' | Process Data | Write to PC  |
| No operation | No operation     | No operation | No operation |

If No Jump:

| Q1     | Q2               | Q3           | Q4           |
|--------|------------------|--------------|--------------|
| Decode | Read literal 'n' | Process Data | No operation |

Example:                       HERE        BNN    Jump

Before Instruction  
PC = address (HERE)

After Instruction  
If Negative = 0;  
PC = address (Jump)  
If Negative = 1;  
PC = address (HERE+2)

# PIC18F6520/8520/6620/8620/6720/8720

## BNOV Branch if Not Overflow

Syntax: [ *label* ] BNOV n

Operands:  $-128 \leq n \leq 127$

Operation: if Overflow bit is '0'  
(PC) + 2 + 2n → PC

Status Affected: None

Encoding: 

|      |      |      |      |
|------|------|------|------|
| 1110 | 0101 | nnnn | nnnn |
|------|------|------|------|

Description: If the Overflow bit is '0', then the program will branch. The 2's complement number '2n' is added to the PC. Since the PC will have incremented to fetch the next instruction, the new address will be PC+2+2n. This instruction is then a two-cycle instruction.

Words: 1

Cycles: 1(2)

Q Cycle Activity:

If Jump:

| Q1           | Q2               | Q3           | Q4           |
|--------------|------------------|--------------|--------------|
| Decode       | Read literal 'n' | Process Data | Write to PC  |
| No operation | No operation     | No operation | No operation |

If No Jump:

| Q1     | Q2               | Q3           | Q4           |
|--------|------------------|--------------|--------------|
| Decode | Read literal 'n' | Process Data | No operation |

**Example:**            HERE        BNOV Jump

Before Instruction

PC = address (HERE)

After Instruction

If Overflow = 0;  
 PC = address (Jump)  
 If Overflow = 1;  
 PC = address (HERE+2)

## BNZ Branch if Not Zero

Syntax: [ *label* ] BNZ n

Operands:  $-128 \leq n \leq 127$

Operation: if Zero bit is '0'  
(PC) + 2 + 2n → PC

Status Affected: None

Encoding: 

|      |      |      |      |
|------|------|------|------|
| 1110 | 0001 | nnnn | nnnn |
|------|------|------|------|

Description: If the Zero bit is '0', then the program will branch. The 2's complement number '2n' is added to the PC. Since the PC will have incremented to fetch the next instruction, the new address will be PC+2+2n. This instruction is then a two-cycle instruction.

Words: 1

Cycles: 1(2)

Q Cycle Activity:

If Jump:

| Q1           | Q2               | Q3           | Q4           |
|--------------|------------------|--------------|--------------|
| Decode       | Read literal 'n' | Process Data | Write to PC  |
| No operation | No operation     | No operation | No operation |

If No Jump:

| Q1     | Q2               | Q3           | Q4           |
|--------|------------------|--------------|--------------|
| Decode | Read literal 'n' | Process Data | No operation |

**Example:**            HERE        BNZ Jump

Before Instruction

PC = address (HERE)

After Instruction

If Zero = 0;  
 PC = address (Jump)  
 If Zero = 1;  
 PC = address (HERE+2)

# PIC18F6520/8520/6620/8620/6720/8720

## BRA Unconditional Branch

Syntax: [ *label* ] BRA n

Operands:  $-1024 \leq n \leq 1023$

Operation:  $(PC) + 2 + 2n \rightarrow PC$

Status Affected: None

Encoding: 

|      |      |      |      |
|------|------|------|------|
| 1101 | 0nnn | nnnn | nnnn |
|------|------|------|------|

Description: Add the 2's complement number '2n' to the PC. Since the PC will have incremented to fetch the next instruction, the new address will be  $PC+2+2n$ . This instruction is a two-cycle instruction.

Words: 1

Cycles: 2

Q Cycle Activity:

| Q1           | Q2               | Q3           | Q4           |
|--------------|------------------|--------------|--------------|
| Decode       | Read literal 'n' | Process Data | Write to PC  |
| No operation | No operation     | No operation | No operation |

**Example:**            HERE        BRA    Jump

Before Instruction  
PC            =    address (HERE)

After Instruction  
PC            =    address (Jump)

## BSF Bit Set f

Syntax: [ *label* ] BSF f,b[,a]

Operands:  $0 \leq f \leq 255$   
 $0 \leq b \leq 7$   
 $a \in [0,1]$

Operation:  $1 \rightarrow f < b >$

Status Affected: None

Encoding: 

|      |      |      |      |
|------|------|------|------|
| 1000 | bbba | ffff | ffff |
|------|------|------|------|

Description: Bit 'b' in register 'f' is set. If 'a' is '0', Access Bank will be selected, overriding the BSR value. If 'a' = 1, then the bank will be selected as per the BSR value.

Words: 1

Cycles: 1

Q Cycle Activity:

| Q1     | Q2                | Q3           | Q4                 |
|--------|-------------------|--------------|--------------------|
| Decode | Read register 'f' | Process Data | Write register 'f' |

**Example:**            BSF        FLAG\_REG, 7, 1

Before Instruction  
FLAG\_REG = 0x0A

After Instruction  
FLAG\_REG = 0x8A

# PIC18F6520/8520/6620/8620/6720/8720

**BTFSC**                      **Bit Test File, Skip if Clear**

---

Syntax:                      [ *label* ] BTFSC f,b[,a]

Operands:                     $0 \leq f \leq 255$   
 $0 \leq b \leq 7$   
 $a \in [0,1]$

Operation:                    skip if (f<b>) = 0

Status Affected:            None

Encoding:                    

|      |      |      |      |
|------|------|------|------|
| 1011 | bbba | ffff | ffff |
|------|------|------|------|

Description:                    If bit 'b' in register 'f' is '0', then the next instruction is skipped.  
If bit 'b' is '0', then the next instruction fetched during the current instruction execution is discarded and a NOP is executed instead, making this a two-cycle instruction. If 'a' is '0', the Access Bank will be selected, overriding the BSR value. If 'a' = 1, then the bank will be selected as per the BSR value (default).

Words:                        1

Cycles:                        1(2)  
**Note:** 3 cycles if skip and followed by a 2-word instruction.

Q Cycle Activity:

| Q1     | Q2                | Q3           | Q4           |
|--------|-------------------|--------------|--------------|
| Decode | Read register 'f' | Process Data | No operation |

If skip:

| Q1           | Q2           | Q3           | Q4           |
|--------------|--------------|--------------|--------------|
| No operation | No operation | No operation | No operation |

If skip and followed by 2-word instruction:

| Q1           | Q2           | Q3           | Q4           |
|--------------|--------------|--------------|--------------|
| No operation | No operation | No operation | No operation |
| No operation | No operation | No operation | No operation |

**Example:**

```

HERE    BTFSC    FLAG, 1, 0
FALSE   :
TRUE    :
    
```

Before Instruction  
PC = address (HERE)

After Instruction  
If FLAG<1> = 0;  
PC = address (TRUE)  
If FLAG<1> = 1;  
PC = address (FALSE)

**BTFSS**                      **Bit Test File, Skip if Set**

---

Syntax:                      [ *label* ] BTFSS f,b[,a]

Operands:                     $0 \leq f \leq 255$   
 $0 \leq b < 7$   
 $a \in [0,1]$

Operation:                    skip if (f<b>) = 1

Status Affected:            None

Encoding:                    

|      |      |      |      |
|------|------|------|------|
| 1010 | bbba | ffff | ffff |
|------|------|------|------|

Description:                    If bit 'b' in register 'f' is '1', then the next instruction is skipped.  
If bit 'b' is '1', then the next instruction fetched during the current instruction execution is discarded and a NOP is executed instead, making this a two-cycle instruction. If 'a' is '0', the Access Bank will be selected, overriding the BSR value. If 'a' = 1, then the bank will be selected as per the BSR value (default).

Words:                        1

Cycles:                        1(2)  
**Note:** 3 cycles if skip and followed by a 2-word instruction.

Q Cycle Activity:

| Q1     | Q2                | Q3           | Q4           |
|--------|-------------------|--------------|--------------|
| Decode | Read register 'f' | Process Data | No operation |

If skip:

| Q1           | Q2           | Q3           | Q4           |
|--------------|--------------|--------------|--------------|
| No operation | No operation | No operation | No operation |

If skip and followed by 2-word instruction:

| Q1           | Q2           | Q3           | Q4           |
|--------------|--------------|--------------|--------------|
| No operation | No operation | No operation | No operation |
| No operation | No operation | No operation | No operation |

**Example:**

```

HERE    BTFSS    FLAG, 1, 0
FALSE   :
TRUE    :
    
```

Before Instruction  
PC = address (HERE)

After Instruction  
If FLAG<1> = 0;  
PC = address (FALSE)  
If FLAG<1> = 1;  
PC = address (TRUE)



# PIC18F6520/8520/6620/8620/6720/8720

**BTG**                      **Bit Toggle f**

---

Syntax:                    [ *label* ] BTG f,b[,a]

Operands:                 $0 \leq f \leq 255$   
 $0 \leq b < 7$   
 $a \in [0,1]$

Operation:                 $(\overline{f < b}) \rightarrow f < b >$

Status Affected:        None

Encoding:                

|      |      |      |      |
|------|------|------|------|
| 0111 | bbba | ffff | ffff |
|------|------|------|------|

Description:             Bit 'b' in data memory location 'f' is inverted. If 'a' is '0', the Access Bank will be selected, overriding the BSR value. If 'a' = 1, then the bank will be selected as per the BSR value (default).

Words:                    1

Cycles:                    1

Q Cycle Activity:

| Q1     | Q2                | Q3           | Q4                 |
|--------|-------------------|--------------|--------------------|
| Decode | Read register 'f' | Process Data | Write register 'f' |

**Example:**                      BTG            PORTC,    4, 0

Before Instruction:  
PORTC =    0111 0101 [0x75]

After Instruction:  
PORTC =    0110 0101 [0x65]

**BOV**                      **Branch if Overflow**

---

Syntax:                    [ *label* ] BOV    n

Operands:                 $-128 \leq n \leq 127$

Operation:                if Overflow bit is '1'  
(PC) + 2 + 2n → PC

Status Affected:        None

Encoding:                

|      |      |      |      |
|------|------|------|------|
| 1110 | 0100 | nnnn | nnnn |
|------|------|------|------|

Description:             If the Overflow bit is '1', then the program will branch. The 2's complement number '2n' is added to the PC. Since the PC will have incremented to fetch the next instruction, the new address will be PC+2+2n. This instruction is then a two-cycle instruction.

Words:                    1

Cycles:                    1(2)

Q Cycle Activity:

If Jump:

| Q1           | Q2               | Q3           | Q4           |
|--------------|------------------|--------------|--------------|
| Decode       | Read literal 'n' | Process Data | Write to PC  |
| No operation | No operation     | No operation | No operation |

If No Jump:

| Q1     | Q2               | Q3           | Q4           |
|--------|------------------|--------------|--------------|
| Decode | Read literal 'n' | Process Data | No operation |

**Example:**                      HERE            BOV    Jump

Before Instruction  
PC =            address (HERE)

After Instruction  
If Overflow =    1;  
PC =            address (Jump)  
If Overflow =    0;  
PC =            address (HERE+2)

# PIC18F6520/8520/6620/8620/6720/8720

## BZ Branch if Zero

Syntax: [ *label* ] BZ n

Operands:  $-128 \leq n \leq 127$

Operation: if Zero bit is '1'  
 $(PC) + 2 + 2n \rightarrow PC$

Status Affected: None

Encoding: 

|      |      |      |      |
|------|------|------|------|
| 1110 | 0000 | nnnn | nnnn |
|------|------|------|------|

Description: If the Zero bit is '1', then the program will branch. The 2's complement number '2n' is added to the PC. Since the PC will have incremented to fetch the next instruction, the new address will be  $PC+2+2n$ . This instruction is then a two-cycle instruction.

Words: 1

Cycles: 1(2)

Q Cycle Activity:  
 If Jump:

| Q1           | Q2               | Q3           | Q4           |
|--------------|------------------|--------------|--------------|
| Decode       | Read literal 'n' | Process Data | Write to PC  |
| No operation | No operation     | No operation | No operation |

If No Jump:

| Q1     | Q2               | Q3           | Q4           |
|--------|------------------|--------------|--------------|
| Decode | Read literal 'n' | Process Data | No operation |

**Example:**            HERE            BZ    Jump

Before Instruction  
 PC = address (HERE)

After Instruction  
 If Zero = 1;  
 PC = address (Jump)  
 If Zero = 0;  
 PC = address (HERE+2)

## CALL Subroutine Call

Syntax: [ *label* ] CALL k [,s]

Operands:  $0 \leq k \leq 1048575$   
 $s \in [0,1]$

Operation:  $(PC) + 4 \rightarrow TOS$ ,  
 $k \rightarrow PC<20:1>$ ,  
 if  $s = 1$   
 $(W) \rightarrow WS$ ,  
 $(STATUS) \rightarrow STATUSS$ ,  
 $(BSR) \rightarrow BSRs$

Status Affected: None

Encoding: 

|      |                     |                    |                   |
|------|---------------------|--------------------|-------------------|
| 1110 | 110s                | k <sub>7</sub> kkk | kkkk <sub>0</sub> |
| 1111 | k <sub>19</sub> kkk | kkkk               | kkkk <sub>8</sub> |

Description: Subroutine call of entire 2-Mbyte memory range. First, return address ( $PC+4$ ) is pushed onto the return stack. If 's' = 1, the W, Status and BSR registers are also pushed into their respective shadow registers, WS, STATUSS and BSRs. If 's' = 0, no update occurs (default). Then, the 20-bit value 'k' is loaded into  $PC<20:1>$ . CALL is a two-cycle instruction.

Words: 2

Cycles: 2

Q Cycle Activity:

| Q1           | Q2                    | Q3               | Q4                                  |
|--------------|-----------------------|------------------|-------------------------------------|
| Decode       | Read literal 'k'<7:0> | Push PC to stack | Read literal 'k'<19:8>, Write to PC |
| No operation | No operation          | No operation     | No operation                        |

**Example:**            HERE            CALL    THERE, 1

Before Instruction  
 PC = address (HERE)

After Instruction  
 PC = address (THERE)  
 TOS = address (HERE + 4)  
 WS = W  
 BSRs = BSR  
 STATUSS = STATUS

# PIC18F6520/8520/6620/8620/6720/8720

**CLRF**                    **Clear f**

---

Syntax:                    [ *label* ] CLRF f [,a]

Operands:                 $0 \leq f \leq 255$   
 $a \in [0,1]$

Operation:                 $000h \rightarrow f$   
 $1 \rightarrow Z$

Status Affected:        Z

Encoding:                

|      |      |      |      |
|------|------|------|------|
| 0110 | 101a | ffff | ffff |
|------|------|------|------|

Description:             Clears the contents of the specified register. If 'a' is '0', the Access Bank will be selected, overriding the BSR value. If 'a' = 1, then the bank will be selected as per the BSR value (default).

Words:                    1

Cycles:                    1

Q Cycle Activity:

| Q1     | Q2                | Q3           | Q4                 |
|--------|-------------------|--------------|--------------------|
| Decode | Read register 'f' | Process Data | Write register 'f' |

**Example:**                CLRF                FLAG\_REG, 1

Before Instruction  
FLAG\_REG = 0x5A

After Instruction  
FLAG\_REG = 0x00

**CLRWDT**                **Clear Watchdog Timer**

---

Syntax:                    [ *label* ] CLRWDT

Operands:                None

Operation:                 $000h \rightarrow$  WDT,  
 $000h \rightarrow$  WDT postscaler,  
 $1 \rightarrow \overline{TO}$ ,  
 $1 \rightarrow \overline{PD}$

Status Affected:         $\overline{TO}$ ,  $\overline{PD}$

Encoding:                

|      |      |      |      |
|------|------|------|------|
| 0000 | 0000 | 0000 | 0100 |
|------|------|------|------|

Description:             CLRWDT instruction resets the Watchdog Timer. It also resets the postscaler of the WDT. Status bits  $\overline{TO}$  and  $\overline{PD}$  are set.

Words:                    1

Cycles:                    1

Q Cycle Activity:

| Q1     | Q2           | Q3           | Q4           |
|--------|--------------|--------------|--------------|
| Decode | No operation | Process Data | No operation |

**Example:**                CLRWDT

Before Instruction  
WDT Counter = ?

After Instruction  
WDT Counter = 0x00  
WDT Postscaler = 0  
 $\overline{TO}$  = 1  
 $\overline{PD}$  = 1

# PIC18F6520/8520/6620/8620/6720/8720

**COMF**                      **Complement f**

Syntax:                    [ *label* ] COMF f [,d [,a]

Operands:                 $0 \leq f \leq 255$   
 $d \in [0,1]$   
 $a \in [0,1]$

Operation:                 $\bar{f} \rightarrow \text{dest}$

Status Affected:        N, Z

Encoding:                

|      |      |      |      |
|------|------|------|------|
| 0001 | 11da | ffff | ffff |
|------|------|------|------|

Description:             The contents of register 'f' are complemented. If 'd' is '0', the result is stored in W. If 'd' is '1', the result is stored back in register 'f' (default). If 'a' is '0', the Access Bank will be selected, overriding the BSR value. If 'a' = 1, then the bank will be selected as per the BSR value (default).

Words:                    1

Cycles:                    1

Q Cycle Activity:

| Q1     | Q2                | Q3           | Q4                   |
|--------|-------------------|--------------|----------------------|
| Decode | Read register 'f' | Process Data | Write to destination |

Example:                COMF        REG, 0, 0

Before Instruction  
REG = 0x13

After Instruction  
REG = 0x13  
W = 0xEC

**CPFSEQ**                    **Compare f with W, skip if f = W**

Syntax:                    [ *label* ] CPFSEQ f [,a]

Operands:                 $0 \leq f \leq 255$   
 $a \in [0,1]$

Operation:                 $f - (W)$ ,  
skip if  $f = (W)$   
(unsigned comparison)

Status Affected:        None

Encoding:                

|      |      |      |      |
|------|------|------|------|
| 0110 | 001a | ffff | ffff |
|------|------|------|------|

Description:             Compares the contents of data memory location 'f' to the contents of W by performing an unsigned subtraction. If 'f' = W, then the fetched instruction is discarded and a NOP is executed instead, making this a two-cycle instruction. If 'a' is '0', the Access Bank will be selected, overriding the BSR value. If 'a' = 1, then the bank will be selected as per the BSR value (default).

Words:                    1

Cycles:                    1(2)

**Note:** 3 cycles if skip and followed by a 2-word instruction.

Q Cycle Activity:

| Q1     | Q2                | Q3           | Q4           |
|--------|-------------------|--------------|--------------|
| Decode | Read register 'f' | Process Data | No operation |

If skip:

| Q1           | Q2           | Q3           | Q4           |
|--------------|--------------|--------------|--------------|
| No operation | No operation | No operation | No operation |

If skip and followed by 2-word instruction:

| Q1           | Q2           | Q3           | Q4           |
|--------------|--------------|--------------|--------------|
| No operation | No operation | No operation | No operation |
| No operation | No operation | No operation | No operation |

Example:                HERE        CPFSEQ REG, 0  
NEQUAL        :  
EQUAL        :

Before Instruction  
PC Address = HERE  
W = ?  
REG = ?

After Instruction  
If REG = W;  
PC = Address (EQUAL)  
If REG  $\neq$  W;  
PC = Address (NEQUAL)

# PIC18F6520/8520/6620/8620/6720/8720

**CPFSGT**      **Compare f with W, skip if f > W**

Syntax:      [label] CPFSGT f[,a]

Operands:     $0 \leq f \leq 255$   
 $a \in [0,1]$

Operation:    (f) – (W),  
 skip if (f) > (W)  
 (unsigned comparison)

Status Affected:    None

Encoding:      

|      |      |      |      |
|------|------|------|------|
| 0110 | 010a | ffff | ffff |
|------|------|------|------|

Description:    Compares the contents of data memory location 'f' to the contents of W by performing an unsigned subtraction.  
 If the contents of 'f' are greater than the contents of WREG, then the fetched instruction is discarded and a NOP is executed instead, making this a two-cycle instruction. If 'a' is '0', the Access Bank will be selected, overriding the BSR value. If 'a' = 1, then the bank will be selected as per the BSR value (default).

Words:        1

Cycles:        1(2)  
**Note:** 3 cycles if skip and followed by a 2-word instruction.

Q Cycle Activity:

| Q1     | Q2                | Q3           | Q4           |
|--------|-------------------|--------------|--------------|
| Decode | Read register 'f' | Process Data | No operation |

If skip:

| Q1           | Q2           | Q3           | Q4           |
|--------------|--------------|--------------|--------------|
| No operation | No operation | No operation | No operation |

If skip and followed by 2-word instruction:

| Q1           | Q2           | Q3           | Q4           |
|--------------|--------------|--------------|--------------|
| No operation | No operation | No operation | No operation |
| No operation | No operation | No operation | No operation |

**Example:**      HERE      CPFSGT REG, 0  
 NGREATER    :  
 GREATER     :

Before Instruction

PC            =    Address (HERE)  
 W             =    ?

After Instruction

If REG > W;  
 PC            =    Address (GREATER)  
 If REG ≤ W;  
 PC            =    Address (NGREATER)

**CPFSLT**      **Compare f with W, skip if f < W**

Syntax:      [label] CPFSLT f[,a]

Operands:     $0 \leq f \leq 255$   
 $a \in [0,1]$

Operation:    (f) – (W),  
 skip if (f) < (W)  
 (unsigned comparison)

Status Affected:    None

Encoding:      

|      |      |      |      |
|------|------|------|------|
| 0110 | 000a | ffff | ffff |
|------|------|------|------|

Description:    Compares the contents of data memory location 'f' to the contents of W by performing an unsigned subtraction.  
 If the contents of 'f' are less than the contents of W, then the fetched instruction is discarded and a NOP is executed instead, making this a two-cycle instruction. If 'a' is '0', the Access Bank will be selected. If 'a' is '1', the BSR will not be overridden (default).

Words:        1

Cycles:        1(2)  
**Note:** 3 cycles if skip and followed by a 2-word instruction.

Q Cycle Activity:

| Q1     | Q2                | Q3           | Q4           |
|--------|-------------------|--------------|--------------|
| Decode | Read register 'f' | Process Data | No operation |

If skip:

| Q1           | Q2           | Q3           | Q4           |
|--------------|--------------|--------------|--------------|
| No operation | No operation | No operation | No operation |

If skip and followed by 2-word instruction:

| Q1           | Q2           | Q3           | Q4           |
|--------------|--------------|--------------|--------------|
| No operation | No operation | No operation | No operation |
| No operation | No operation | No operation | No operation |

**Example:**      HERE      CPFSLT REG, 1  
 NLESS        :  
 LESS         :

Before Instruction

PC            =    Address (HERE)  
 W             =    ?

After Instruction

If REG < W;  
 PC            =    Address (LESS)  
 If REG ≥ W;  
 PC            =    Address (NLESS)

# PIC18F6520/8520/6620/8620/6720/8720

**DAW**                      **Decimal Adjust W Register**

---

Syntax:                    [ *label* ] DAW

Operands:                None

Operation:                If [W<3:0> >9] or [DC = 1] then  
                               (W<3:0>) + 6 → W<3:0>;  
                               else  
                               (W<3:0>) → W<3:0>;

                              If [W<7:4> >9] or [C = 1] then  
                               (W<7:4>) + 6 → W<7:4>;  
                               else  
                               (W<7:4>) → W<7:4>;

Status Affected:        C

Encoding:                

|      |      |      |      |
|------|------|------|------|
| 0000 | 0000 | 0000 | 0111 |
|------|------|------|------|

Description:             DAW adjusts the eight-bit value in W, resulting from the earlier addition of two variables (each in packed BCD format) and produces a correct packed BCD result.

Words:                    1

Cycles:                    1

Q Cycle Activity:

| Q1     | Q2              | Q3           | Q4      |
|--------|-----------------|--------------|---------|
| Decode | Read register W | Process Data | Write W |

**Example 1:**             DAW

Before Instruction

W        = 0xA5  
 C        = 0  
 DC      = 0

After Instruction

W        = 0x05  
 C        = 1  
 DC      = 0

**Example 2:**

Before Instruction

W        = 0xCE  
 C        = 0  
 DC      = 0

After Instruction

W        = 0x34  
 C        = 1  
 DC      = 0

**DECF**                    **Decrement f**

---

Syntax:                    [ *label* ] DECF f [,d [,a]]

Operands:                 $0 \leq f \leq 255$   
                                $d \in [0,1]$   
                                $a \in [0,1]$

Operation:                 $(f) - 1 \rightarrow \text{dest}$

Status Affected:        C, DC, N, OV, Z

Encoding:                

|      |      |      |      |
|------|------|------|------|
| 0000 | 01da | ffff | ffff |
|------|------|------|------|

Description:             Decrement register 'f'. If 'd' is '0', the result is stored in W. If 'd' is '1', the result is stored back in register 'f' (default). If 'a' is '0', the Access Bank will be selected, overriding the BSR value. If 'a' = 1, then the bank will be selected as per the BSR value (default).

Words:                    1

Cycles:                    1

Q Cycle Activity:

| Q1     | Q2                | Q3           | Q4                   |
|--------|-------------------|--------------|----------------------|
| Decode | Read register 'f' | Process Data | Write to destination |

**Example:**                DECF    CNT,    1,    0

Before Instruction

CNT     = 0x01  
 Z        = 0

After Instruction

CNT     = 0x00  
 Z        = 1

# PIC18F6520/8520/6620/8620/6720/8720

---

**DECFSZ**          **Decrement f, skip if 0**

---

**Syntax:**        `[ label ] DECFSZ f [,d [,a]]`

**Operands:**       $0 \leq f \leq 255$   
 $d \in [0,1]$   
 $a \in [0,1]$

**Operation:**      $(f) - 1 \rightarrow \text{dest}$ ,  
 skip if result = 0

**Status Affected:**   None

**Encoding:**

|      |      |      |      |
|------|------|------|------|
| 0010 | 11da | ffff | ffff |
|------|------|------|------|

**Description:**    The contents of register ‘f’ are decremented. If ‘d’ is ‘0’, the result is placed in W. If ‘d’ is ‘1’, the result is placed back in register ‘f’ (default).  
 If the result is ‘0’, the next instruction which is already fetched is discarded and a NOP is executed instead, making it a two-cycle instruction. If ‘a’ is ‘0’, the Access Bank will be selected, overriding the BSR value. If ‘a’ = 1, then the bank will be selected as per the BSR value (default).

**Words:**        1

**Cycles:**        1(2)  
**Note:** 3 cycles if skip and followed by a 2-word instruction.

**Q Cycle Activity:**

| Q1     | Q2                | Q3           | Q4                   |
|--------|-------------------|--------------|----------------------|
| Decode | Read register ‘f’ | Process Data | Write to destination |

**If skip:**

| Q1           | Q2           | Q3           | Q4           |
|--------------|--------------|--------------|--------------|
| No operation | No operation | No operation | No operation |

**If skip and followed by 2-word instruction:**

| Q1           | Q2           | Q3           | Q4           |
|--------------|--------------|--------------|--------------|
| No operation | No operation | No operation | No operation |
| No operation | No operation | No operation | No operation |

**Example:**        HERE        DECFSZ    CNT, 1, 1  
   GOTO        LOOP  
   CONTINUE

**Before Instruction**  
 PC = Address (HERE)

**After Instruction**  
 CNT = CNT - 1  
 If CNT = 0;  
 PC = Address (CONTINUE)  
 If CNT ≠ 0;  
 PC = Address (HERE+2)

**DCFSNZ**          **Decrement f, skip if not 0**

---

**Syntax:**        `[ label ] DCFSNZ f [,d [,a]]`

**Operands:**       $0 \leq f \leq 255$   
 $d \in [0,1]$   
 $a \in [0,1]$

**Operation:**      $(f) - 1 \rightarrow \text{dest}$ ,  
 skip if result ≠ 0

**Status Affected:**   None

**Encoding:**

|      |      |      |      |
|------|------|------|------|
| 0100 | 11da | ffff | ffff |
|------|------|------|------|

**Description:**    The contents of register ‘f’ are decremented. If ‘d’ is ‘0’, the result is placed in W. If ‘d’ is ‘1’, the result is placed back in register ‘f’ (default).  
 If the result is not ‘0’, the next instruction which is already fetched is discarded and a NOP is executed instead, making it a two-cycle instruction. If ‘a’ is ‘0’, the Access Bank will be selected, overriding the BSR value. If ‘a’ = 1, then the bank will be selected as per the BSR value (default).

**Words:**        1

**Cycles:**        1(2)  
**Note:** 3 cycles if skip and followed by a 2-word instruction.

**Q Cycle Activity:**

| Q1     | Q2                | Q3           | Q4                   |
|--------|-------------------|--------------|----------------------|
| Decode | Read register ‘f’ | Process Data | Write to destination |

**If skip:**

| Q1           | Q2           | Q3           | Q4           |
|--------------|--------------|--------------|--------------|
| No operation | No operation | No operation | No operation |

**If skip and followed by 2-word instruction:**

| Q1           | Q2           | Q3           | Q4           |
|--------------|--------------|--------------|--------------|
| No operation | No operation | No operation | No operation |
| No operation | No operation | No operation | No operation |

**Example:**        HERE        DCFSNZ    TEMP, 1, 0  
   ZERO        :  
   NZERO       :

**Before Instruction**  
 TEMP = ?

**After Instruction**  
 TEMP = TEMP - 1,  
 If TEMP = 0;  
 PC = Address (ZERO)  
 If TEMP ≠ 0;  
 PC = Address (NZERO)

# PIC18F6520/8520/6620/8620/6720/8720

## GOTO Unconditional Branch

Syntax: [ *label* ] GOTO *k*

Operands:  $0 \leq k \leq 1048575$

Operation:  $k \rightarrow PC<20:1>$

Status Affected: None

Encoding:

|                        |      |             |          |          |
|------------------------|------|-------------|----------|----------|
| 1st word ( $k<7:0>$ )  | 1110 | 1111        | $k_7kkk$ | $kkkk_0$ |
| 2nd word ( $k<19:8>$ ) | 1111 | $k_{19}kkk$ | $kkkk$   | $kkkk_8$ |

Description: GOTO allows an unconditional branch anywhere within the entire 2-Mbyte memory range. The 20-bit value 'k' is loaded into PC<20:1>. GOTO is always a two-cycle instruction.

Words: 2

Cycles: 2

Q Cycle Activity:

| Q1           | Q2                    | Q3           | Q4                                  |
|--------------|-----------------------|--------------|-------------------------------------|
| Decode       | Read literal 'k'<7:0> | No operation | Read literal 'k'<19:8>, Write to PC |
| No operation | No operation          | No operation | No operation                        |

**Example:** GOTO THERE

After Instruction  
PC = Address (THERE)

## INCF Increment f

Syntax: [ *label* ] INCF *f* [,d [,a]]

Operands:  $0 \leq f \leq 255$   
 $d \in [0,1]$   
 $a \in [0,1]$

Operation:  $(f) + 1 \rightarrow \text{dest}$

Status Affected: C, DC, N, OV, Z

Encoding:

|      |      |      |      |
|------|------|------|------|
| 0010 | 10da | ffff | ffff |
|------|------|------|------|

Description: The contents of register 'f' are incremented. If 'd' is '0', the result is placed in W. If 'd' is '1', the result is placed back in register 'f' (default). If 'a' is '0', the Access Bank will be selected, overriding the BSR value. If 'a' = 1, then the bank will be selected as per the BSR value (default).

Words: 1

Cycles: 1

Q Cycle Activity:

| Q1     | Q2                | Q3           | Q4                   |
|--------|-------------------|--------------|----------------------|
| Decode | Read register 'f' | Process Data | Write to destination |

**Example:** INCF CNT, 1, 0

Before Instruction

|     |   |      |
|-----|---|------|
| CNT | = | 0xFF |
| Z   | = | 0    |
| C   | = | ?    |
| DC  | = | ?    |

After Instruction

|     |   |      |
|-----|---|------|
| CNT | = | 0x00 |
| Z   | = | 1    |
| C   | = | 1    |
| DC  | = | 1    |



# PIC18F6520/8520/6620/8620/6720/8720

**INCF SZ**      **Increment f, skip if 0**

---

Syntax:      [ *label* ]    INCF SZ    f [,d [,a]]

Operands:     $0 \leq f \leq 255$   
 $d \in [0,1]$   
 $a \in [0,1]$

Operation:     $(f) + 1 \rightarrow \text{dest}$ ,  
skip if result = 0

Status Affected:    None

Encoding:    

|      |      |      |      |
|------|------|------|------|
| 0011 | 11da | ffff | ffff |
|------|------|------|------|

Description:    The contents of register 'f' are incremented. If 'd' is '0', the result is placed in W. If 'd' is '1', the result is placed back in register 'f' (default).  
If the result is '0', the next instruction which is already fetched is discarded and a NOP is executed instead, making it a two-cycle instruction. If 'a' is '0', the Access Bank will be selected, overriding the BSR value. If 'a' = 1, then the bank will be selected as per the BSR value (default).

Words:      1

Cycles:      1(2)  
**Note:** 3 cycles if skip and followed by a 2-word instruction.

Q Cycle Activity:

| Q1     | Q2                | Q3           | Q4                   |
|--------|-------------------|--------------|----------------------|
| Decode | Read register 'f' | Process Data | Write to destination |

If skip:

| Q1           | Q2           | Q3           | Q4           |
|--------------|--------------|--------------|--------------|
| No operation | No operation | No operation | No operation |

If skip and followed by 2-word instruction:

| Q1           | Q2           | Q3           | Q4           |
|--------------|--------------|--------------|--------------|
| No operation | No operation | No operation | No operation |
| No operation | No operation | No operation | No operation |

**Example:**      HERE      INCF SZ    CNT, 1, 0  
                  NZERO    :  
                  ZERO     :

Before Instruction

PC = Address (HERE)

After Instruction

CNT = CNT + 1  
If CNT = 0;  
PC = Address (ZERO)  
If CNT ≠ 0;  
PC = Address (NZERO)

**INFS NZ**      **Increment f, skip if not 0**

---

Syntax:      [ *label* ]    INFS NZ    f [,d [,a]]

Operands:     $0 \leq f \leq 255$   
 $d \in [0,1]$   
 $a \in [0,1]$

Operation:     $(f) + 1 \rightarrow \text{dest}$ ,  
skip if result ≠ 0

Status Affected:    None

Encoding:    

|      |      |      |      |
|------|------|------|------|
| 0100 | 10da | ffff | ffff |
|------|------|------|------|

Description:    The contents of register 'f' are incremented. If 'd' is '0', the result is placed in W. If 'd' is '1', the result is placed back in register 'f' (default).  
If the result is not '0', the next instruction which is already fetched is discarded and a NOP is executed instead, making it a two-cycle instruction. If 'a' is '0', the Access Bank will be selected, overriding the BSR value. If 'a' = 1, then the bank will be selected as per the BSR value (default).

Words:      1

Cycles:      1(2)  
**Note:** 3 cycles if skip and followed by a 2-word instruction.

Q Cycle Activity:

| Q1     | Q2                | Q3           | Q4                   |
|--------|-------------------|--------------|----------------------|
| Decode | Read register 'f' | Process Data | Write to destination |

If skip:

| Q1           | Q2           | Q3           | Q4           |
|--------------|--------------|--------------|--------------|
| No operation | No operation | No operation | No operation |

If skip and followed by 2-word instruction:

| Q1           | Q2           | Q3           | Q4           |
|--------------|--------------|--------------|--------------|
| No operation | No operation | No operation | No operation |
| No operation | No operation | No operation | No operation |

**Example:**      HERE      INFS NZ    REG, 1, 0  
                  ZERO     :  
                  NZERO    :

Before Instruction

PC = Address (HERE)

After Instruction

REG = REG + 1  
If REG ≠ 0;  
PC = Address (NZERO)  
If REG = 0;  
PC = Address (ZERO)

# PIC18F6520/8520/6620/8620/6720/8720

## IORLW Inclusive OR literal with W

Syntax: [ *label* ] IORLW *k*

Operands:  $0 \leq k \leq 255$

Operation: (W) .OR. *k* → W

Status Affected: N, Z

Encoding: 

|      |      |      |      |
|------|------|------|------|
| 0000 | 1001 | kkkk | kkkk |
|------|------|------|------|

Description: The contents of W are OR'ed with the eight-bit literal 'k'. The result is placed in W.

Words: 1

Cycles: 1

Q Cycle Activity:

| Q1     | Q2               | Q3           | Q4         |
|--------|------------------|--------------|------------|
| Decode | Read literal 'k' | Process Data | Write to W |

**Example:** IORLW 0x35

Before Instruction  
W = 0x9A

After Instruction  
W = 0xBF

## IORWF Inclusive OR W with f

Syntax: [ *label* ] IORWF *f* [,d [,a]]

Operands:  $0 \leq f \leq 255$   
 $d \in [0,1]$   
 $a \in [0,1]$

Operation: (W) .OR. (f) → dest

Status Affected: N, Z

Encoding: 

|      |      |      |      |
|------|------|------|------|
| 0001 | 00da | ffff | ffff |
|------|------|------|------|

Description: Inclusive OR W with register 'f'. If 'd' is '0', the result is placed in W. If 'd' is '1', the result is placed back in register 'f' (default). If 'a' is '0', the Access Bank will be selected, overriding the BSR value. If 'a' = 1, then the bank will be selected as per the BSR value (default).

Words: 1

Cycles: 1

Q Cycle Activity:

| Q1     | Q2                | Q3           | Q4                   |
|--------|-------------------|--------------|----------------------|
| Decode | Read register 'f' | Process Data | Write to destination |

**Example:** IORWF RESULT, 0, 1

Before Instruction  
RESULT = 0x13  
W = 0x91

After Instruction  
RESULT = 0x13  
W = 0x93

# PIC18F6520/8520/6620/8620/6720/8720

**LFSR**                      **Load FSR**

---

Syntax:                    [ *label* ] LFSR f,k

Operands:                 $0 \leq f \leq 2$   
 $0 \leq k \leq 4095$

Operation:                 $k \rightarrow \text{FSRf}$

Status Affected:        None

Encoding:                

|      |      |          |             |
|------|------|----------|-------------|
| 1110 | 1110 | 00ff     | $k_{11}kkk$ |
| 1111 | 0000 | $k_7kkk$ | kkkk        |

Description:             The 12-bit literal 'k' is loaded into the File Select Register pointed to by 'f'.

Words:                    2

Cycles:                    2

Q Cycle Activity:

| Q1     | Q2                   | Q3           | Q4                             |
|--------|----------------------|--------------|--------------------------------|
| Decode | Read literal 'k' MSB | Process Data | Write literal 'k' MSB to FSRfH |
| Decode | Read literal 'k' LSB | Process Data | Write literal 'k' to FSRfL     |

**Example:**                      LFSR 2, 0x3AB

After Instruction

FSR2H                    = 0x03  
 FSR2L                    = 0xAB

**MOVF**                      **Move f**

---

Syntax:                    [ *label* ] MOVF f [,d [,a]]

Operands:                 $0 \leq f \leq 255$   
 $d \in [0,1]$   
 $a \in [0,1]$

Operation:                 $f \rightarrow \text{dest}$

Status Affected:        N, Z

Encoding:                

|      |      |      |      |
|------|------|------|------|
| 0101 | 00da | ffff | ffff |
|------|------|------|------|

Description:             The contents of register 'f' are moved to a destination dependent upon the status of 'd'. If 'd' is '0', the result is placed in W. If 'd' is '1', the result is placed back in register 'f' (default). Location 'f' can be anywhere in the 256-byte bank. If 'a' is '0', the Access Bank will be selected, overriding the BSR value. If 'a' = 1, then the bank will be selected as per the BSR value (default).

Words:                    1

Cycles:                    1

Q Cycle Activity:

| Q1     | Q2                | Q3           | Q4      |
|--------|-------------------|--------------|---------|
| Decode | Read register 'f' | Process Data | Write W |

**Example:**                      MOVF REG, 0, 0

Before Instruction

REG                      = 0x22  
 W                        = 0xFF

After Instruction

REG                      = 0x22  
 W                        = 0x22

# PIC18F6520/8520/6620/8620/6720/8720

## MOVFF Move f to f

Syntax: [ *label* ] MOVFF *f<sub>s</sub>*,*f<sub>d</sub>*

Operands:  $0 \leq f_s \leq 4095$   
 $0 \leq f_d \leq 4095$

Operation: (*f<sub>s</sub>*) → *f<sub>d</sub>*

Status Affected: None

Encoding:

|                    |      |      |      |                   |
|--------------------|------|------|------|-------------------|
| 1st word (source)  | 1100 | ffff | ffff | ffff <sub>s</sub> |
| 2nd word (destin.) | 1111 | ffff | ffff | ffff <sub>d</sub> |

Description: The contents of source register '*f<sub>s</sub>*' are moved to destination register '*f<sub>d</sub>*'. Location of source '*f<sub>s</sub>*' can be anywhere in the 4096-byte data space (000h to FFFh) and location of destination '*f<sub>d</sub>*' can also be anywhere from 000h to FFFh. Either source or destination can be W (a useful special situation). MOVFF is particularly useful for transferring a data memory location to a peripheral register (such as the transmit buffer or an I/O port). The MOVFF instruction cannot use the PCL, TOSU, TOSH or TOSL as the destination register.

Words: 2

Cycles: 2 (3)

Q Cycle Activity:

|        | Q1     | Q2                               | Q3           | Q4                                 |
|--------|--------|----------------------------------|--------------|------------------------------------|
| Decode | Decode | Read register ' <i>f</i> ' (src) | Process Data | No operation                       |
| Decode | Decode | No operation, No dummy read      | No operation | Write register ' <i>f</i> ' (dest) |

**Example:** MOVFF REG1, REG2

Before Instruction

REG1 = 0x33  
 REG2 = 0x11

After Instruction

REG1 = 0x33,  
 REG2 = 0x33

## MOVLB Move literal to low nibble in BSR

Syntax: [ *label* ] MOVLB *k*

Operands:  $0 \leq k \leq 255$

Operation: *k* → BSR

Status Affected: None

Encoding: 

|      |      |      |      |
|------|------|------|------|
| 0000 | 0001 | kkkk | kkkk |
|------|------|------|------|

Description: The 8-bit literal '*k*' is loaded into the Bank Select Register (BSR).

Words: 1

Cycles: 1

Q Cycle Activity:

|        | Q1     | Q2                        | Q3           | Q4                                |
|--------|--------|---------------------------|--------------|-----------------------------------|
| Decode | Decode | Read literal ' <i>k</i> ' | Process Data | Write literal ' <i>k</i> ' to BSR |

**Example:** MOVLB 5

Before Instruction

BSR register = 0x02

After Instruction

BSR register = 0x05

# PIC18F6520/8520/6620/8620/6720/8720

## MOVLW Move literal to W

Syntax: [ *label* ] MOVLW *k*

Operands:  $0 \leq k \leq 255$

Operation:  $k \rightarrow W$

Status Affected: None

Encoding: 

|      |      |      |      |
|------|------|------|------|
| 0000 | 1110 | kkkk | kkkk |
|------|------|------|------|

Description: The eight-bit literal 'k' is loaded into W.

Words: 1

Cycles: 1

Q Cycle Activity:

| Q1     | Q2                  | Q3              | Q4         |
|--------|---------------------|-----------------|------------|
| Decode | Read<br>literal 'k' | Process<br>Data | Write to W |

**Example:** MOVLW 0x5A

After Instruction

W = 0x5A

## MOVWF Move W to f

Syntax: [ *label* ] MOVWF *f* [,a]

Operands:  $0 \leq f \leq 255$   
 $a \in [0,1]$

Operation:  $(W) \rightarrow f$

Status Affected: None

Encoding: 

|      |      |      |      |
|------|------|------|------|
| 0110 | 111a | ffff | ffff |
|------|------|------|------|

Description: Move data from W to register 'f'. Location 'f' can be anywhere in the 256-byte bank. If 'a' is '0', the Access Bank will be selected, overriding the BSR value. If 'a' = 1, then the bank will be selected as per the BSR value (default).

Words: 1

Cycles: 1

Q Cycle Activity:

| Q1     | Q2                   | Q3              | Q4                    |
|--------|----------------------|-----------------|-----------------------|
| Decode | Read<br>register 'f' | Process<br>Data | Write<br>register 'f' |

**Example:** MOVWF REG, 0

Before Instruction

W = 0x4F  
REG = 0xFF

After Instruction

W = 0x4F  
REG = 0x4F

# PIC18F6520/8520/6620/8620/6720/8720

## MULLW Multiply Literal with W

Syntax: [ *label* ] MULLW *k*

Operands:  $0 \leq k \leq 255$

Operation:  $(W) \times k \rightarrow \text{PRODH}:\text{PRODL}$

Status Affected: None

Encoding: 

|      |      |      |      |
|------|------|------|------|
| 0000 | 1101 | kkkk | kkkk |
|------|------|------|------|

Description: An unsigned multiplication is carried out between the contents of W and the 8-bit literal 'k'. The 16-bit result is placed in PRODH:PRODL register pair. PRODH contains the high byte. W is unchanged. None of the status flags are affected. Note that neither overflow nor carry is possible in this operation. A zero result is possible but not detected.

Words: 1

Cycles: 1

Q Cycle Activity:

| Q1     | Q2               | Q3           | Q4                          |
|--------|------------------|--------------|-----------------------------|
| Decode | Read literal 'k' | Process Data | Write registers PRODH:PRODL |

**Example:** MULLW 0xC4

Before Instruction

W = 0xE2  
 PRODH = ?  
 PRODL = ?

After Instruction

W = 0xE2  
 PRODH = 0xAD  
 PRODL = 0x08

## MULWF Multiply W with f

Syntax: [ *label* ] MULWF *f* [,a]

Operands:  $0 \leq f \leq 255$   
 $a \in [0,1]$

Operation:  $(W) \times (f) \rightarrow \text{PRODH}:\text{PRODL}$

Status Affected: None

Encoding: 

|      |      |      |      |
|------|------|------|------|
| 0000 | 001a | ffff | ffff |
|------|------|------|------|

Description: An unsigned multiplication is carried out between the contents of W and the register file location 'f'. The 16-bit result is stored in the PRODH:PRODL register pair. PRODH contains the high byte. Both W and 'f' are unchanged. None of the status flags are affected. Note that neither overflow nor carry is possible in this operation. A zero result is possible but not detected. If 'a' is '0', the Access Bank will be selected, overriding the BSR value. If 'a'= 1, then the bank will be selected as per the BSR value (default).

Words: 1

Cycles: 1

Q Cycle Activity:

| Q1     | Q2                | Q3           | Q4                          |
|--------|-------------------|--------------|-----------------------------|
| Decode | Read register 'f' | Process Data | Write registers PRODH:PRODL |

**Example:** MULWF REG, 1

Before Instruction

W = 0xC4  
 REG = 0xB5  
 PRODH = ?  
 PRODL = ?

After Instruction

W = 0xC4  
 REG = 0xB5  
 PRODH = 0x8A  
 PRODL = 0x94

# PIC18F6520/8520/6620/8620/6720/8720

| NEGF              | Negate f  |              |                    |      |      |        |                   |              |                    |
|-------------------|---|--------------|--------------------|------|------|--------|-------------------|--------------|--------------------|
| Syntax:           | [ <i>label</i> ] NEGF f [,a]  |              |                    |      |      |        |                   |              |                    |
| Operands:         | 0 ≤ f ≤ 255<br>a ∈ [0,1]  |              |                    |      |      |        |                   |              |                    |
| Operation:        | ( $\bar{f}$ ) + 1 → f   |              |                    |      |      |        |                   |              |                    |
| Status Affected:  | N, OV, C, DC, Z   |              |                    |      |      |        |                   |              |                    |
| Encoding:         | <table border="1"> <tr> <td>0110</td> <td>110a</td> <td>ffff</td> <td>ffff</td> </tr> </table>  | 0110         | 110a               | ffff | ffff |        |                   |              |                    |
| 0110              | 110a  | ffff         | ffff               |      |      |        |                   |              |                    |
| Description:      | Location 'f' is negated using two's complement. The result is placed in the data memory location 'f'. If 'a' is '0', the Access Bank will be selected, overriding the BSR value. If 'a' = 1, then the bank will be selected as per the BSR value. |              |                    |      |      |        |                   |              |                    |
| Words:            | 1   |              |                    |      |      |        |                   |              |                    |
| Cycles:           | 1   |              |                    |      |      |        |                   |              |                    |
| Q Cycle Activity: | <table border="1"> <thead> <tr> <th>Q1</th> <th>Q2</th> <th>Q3</th> <th>Q4</th> </tr> </thead> <tbody> <tr> <td>Decode</td> <td>Read register 'f'</td> <td>Process Data</td> <td>Write register 'f'</td> </tr> </tbody> </table>                  | Q1           | Q2                 | Q3   | Q4   | Decode | Read register 'f' | Process Data | Write register 'f' |
| Q1                | Q2  | Q3           | Q4                 |      |      |        |                   |              |                    |
| Decode            | Read register 'f'   | Process Data | Write register 'f' |      |      |        |                   |              |                    |

**Example:**            NEGF    REG, 1

Before Instruction  
REG    =    0011 1010 [0x3A]

After Instruction  
REG    =    1100 0110 [0xC6]

| NOP               | No Operation  |              |              |      |      |        |              |              |              |
|-------------------|---|--------------|--------------|------|------|--------|--------------|--------------|--------------|
| Syntax:           | [ <i>label</i> ] NOP  |              |              |      |      |        |              |              |              |
| Operands:         | None  |              |              |      |      |        |              |              |              |
| Operation:        | No operation  |              |              |      |      |        |              |              |              |
| Status Affected:  | None  |              |              |      |      |        |              |              |              |
| Encoding:         | <table border="1"> <tr> <td>0000</td> <td>0000</td> <td>0000</td> <td>0000</td> </tr> <tr> <td>1111</td> <td>xxxx</td> <td>xxxx</td> <td>xxxx</td> </tr> </table>   | 0000         | 0000         | 0000 | 0000 | 1111   | xxxx         | xxxx         | xxxx         |
| 0000              | 0000  | 0000         | 0000         |      |      |        |              |              |              |
| 1111              | xxxx  | xxxx         | xxxx         |      |      |        |              |              |              |
| Description:      | No operation.   |              |              |      |      |        |              |              |              |
| Words:            | 1   |              |              |      |      |        |              |              |              |
| Cycles:           | 1   |              |              |      |      |        |              |              |              |
| Q Cycle Activity: | <table border="1"> <thead> <tr> <th>Q1</th> <th>Q2</th> <th>Q3</th> <th>Q4</th> </tr> </thead> <tbody> <tr> <td>Decode</td> <td>No operation</td> <td>No operation</td> <td>No operation</td> </tr> </tbody> </table> | Q1           | Q2           | Q3   | Q4   | Decode | No operation | No operation | No operation |
| Q1                | Q2  | Q3           | Q4           |      |      |        |              |              |              |
| Decode            | No operation  | No operation | No operation |      |      |        |              |              |              |

**Example:**

None.

# PIC18F6520/8520/6620/8620/6720/8720

## POP Pop Top of Return Stack

Syntax: [ *label* ] POP  
 Operands: None  
 Operation: (TOS) → bit bucket  
 Status Affected: None  
 Encoding: 

|      |      |      |      |
|------|------|------|------|
| 0000 | 0000 | 0000 | 0110 |
|------|------|------|------|

  
 Description: The TOS value is pulled off the return stack and is discarded. The TOS value then becomes the previous value that was pushed onto the return stack. This instruction is provided to enable the user to properly manage the return stack to incorporate a software stack.  
 Words: 1  
 Cycles: 1

Q Cycle Activity:

| Q1     | Q2           | Q3            | Q4           |
|--------|--------------|---------------|--------------|
| Decode | No operation | POP TOS value | No operation |

**Example:**

POP  
GOTO NEW

Before Instruction

TOS = 0031A2h  
 Stack (1 level down) = 014332h

After Instruction

TOS = 014332h  
 PC = NEW

## PUSH Push Top of Return Stack

Syntax: [ *label* ] PUSH  
 Operands: None  
 Operation: (PC+2) → TOS  
 Status Affected: None  
 Encoding: 

|      |      |      |      |
|------|------|------|------|
| 0000 | 0000 | 0000 | 0101 |
|------|------|------|------|

  
 Description: The PC+2 is pushed onto the top of the return stack. The previous TOS value is pushed down on the stack. This instruction allows implementing a software stack by modifying TOS and then pushing it onto the return stack.  
 Words: 1  
 Cycles: 1

Q Cycle Activity:

| Q1     | Q2                          | Q3           | Q4           |
|--------|-----------------------------|--------------|--------------|
| Decode | PUSH PC+2 onto return stack | No operation | No operation |

**Example:**

PUSH

Before Instruction

TOS = 00345Ah  
 PC = 000124h

After Instruction

PC = 000126h  
 TOS = 000126h  
 Stack (1 level down) = 00345Ah



# PIC18F6520/8520/6620/8620/6720/8720

**RCALL**                      **Relative Call**

---

Syntax:                      [ *label* ] RCALL n

Operands:                    -1024 ≤ n ≤ 1023

Operation:                    (PC) + 2 → TOS,  
                                  (PC) + 2 + 2n → PC

Status Affected:            None

Encoding:                    

|      |      |      |      |
|------|------|------|------|
| 1101 | 1nnn | nnnn | nnnn |
|------|------|------|------|

Description:                 Subroutine call with a jump up to 1K from the current location. First, return address (PC+2) is pushed onto the stack. Then, add the 2's complement number '2n' to the PC. Since the PC will have incremented to fetch the next instruction, the new address will be PC+2+2n. This instruction is a two-cycle instruction.

Words:                        1

Cycles:                        2

Q Cycle Activity:

| Q1           | Q2                                   | Q3           | Q4           |
|--------------|--------------------------------------|--------------|--------------|
| Decode       | Read literal 'n'<br>Push PC to stack | Process Data | Write to PC  |
| No operation | No operation                         | No operation | No operation |

**Example:**                    HERE                    RCALL Jump

Before Instruction  
PC = Address (HERE)

After Instruction  
PC = Address (Jump)  
TOS = Address (HERE+2)

**RESET**                      **Reset**

---

Syntax:                      [ *label* ] RESET

Operands:                    None

Operation:                    Reset all registers and flags that are affected by a MCLR Reset.

Status Affected:            All

Encoding:                    

|      |      |      |      |
|------|------|------|------|
| 0000 | 0000 | 1111 | 1111 |
|------|------|------|------|

Description:                 This instruction provides a way to execute a MCLR Reset in software.

Words:                        1

Cycles:                        1

Q Cycle Activity:

| Q1     | Q2          | Q3           | Q4           |
|--------|-------------|--------------|--------------|
| Decode | Start Reset | No operation | No operation |

**Example:**                    RESET

After Instruction  
Registers =                    Reset Value  
Flags\* =                        Reset Value

# PIC18F6520/8520/6620/8620/6720/8720

## RETFIE Return from Interrupt

Syntax: [ *label* ] RETFIE [ *s* ]

Operands:  $s \in [0,1]$

Operation: (TOS) → PC,  
 1 → GIE/GIEH or PEIE/GIEL,  
 if  $s = 1$   
 (WS) → W,  
 (STATUS) → STATUS,  
 (BSRS) → BSR,  
 PCLATU, PCLATH are unchanged

Status Affected: GIE/GIEH, PEIE/GIEL.

Encoding: 

|      |      |      |      |
|------|------|------|------|
| 0000 | 0000 | 0001 | 000s |
|------|------|------|------|

Description: Return from Interrupt. Stack is popped and Top-of-Stack (TOS) is loaded into the PC. Interrupts are enabled by setting either the high or low priority global interrupt enable bit. If 's' = 1, the contents of the shadow registers, WS, STATUS and BSR, are loaded into their corresponding registers, W, Status and BSR. If 's' = 0, no update of these registers occurs (default).

Words: 1  
 Cycles: 2

Q Cycle Activity:

| Q1           | Q2           | Q3           | Q4                                    |
|--------------|--------------|--------------|---------------------------------------|
| Decode       | No operation | No operation | Pop PC from stack<br>Set GIEH or GIEL |
| No operation | No operation | No operation | No operation                          |

**Example:** RETFIE 1

After Interrupt

|                     |   |        |
|---------------------|---|--------|
| PC                  | = | TOS    |
| W                   | = | WS     |
| BSR                 | = | BSRS   |
| STATUS              | = | STATUS |
| GIE/GIEH, PEIE/GIEL | = | 1      |

## RETLW Return Literal to W

Syntax: [ *label* ] RETLW k

Operands:  $0 \leq k \leq 255$

Operation:  $k \rightarrow W$ ,  
 (TOS) → PC,  
 PCLATU, PCLATH are unchanged

Status Affected: None

Encoding: 

|      |      |      |      |
|------|------|------|------|
| 0000 | 1100 | kkkk | kkkk |
|------|------|------|------|

Description: W is loaded with the eight-bit literal 'k'. The program counter is loaded from the top of the stack (the return address). The high address latch (PCLATH) remains unchanged.

Words: 1  
 Cycles: 2

Q Cycle Activity:

| Q1           | Q2               | Q3           | Q4                               |
|--------------|------------------|--------------|----------------------------------|
| Decode       | Read literal 'k' | Process Data | Pop PC from stack,<br>Write to W |
| No operation | No operation     | No operation | No operation                     |

**Example:**

```
CALL TABLE ; W contains table
              ; offset value
              ; W now has
              ; table value
:
TABLE
ADDWF PCL ; W = offset
RETLW k0 ; Begin table
RETLW k1 ;
:
RETLW kn ; End of table
```

**Before Instruction**

W = 0x07

**After Instruction**

W = value of kn

# PIC18F6520/8520/6620/8620/6720/8720

| RETURN            | Return from Subroutine  |              |                   |      |      |        |              |              |                   |              |              |              |              |
|-------------------|---|--------------|-------------------|------|------|--------|--------------|--------------|-------------------|--------------|--------------|--------------|--------------|
| Syntax:           | [ <i>label</i> ] RETURN [ <i>s</i> ]  |              |                   |      |      |        |              |              |                   |              |              |              |              |
| Operands:         | $s \in [0,1]$   |              |                   |      |      |        |              |              |                   |              |              |              |              |
| Operation:        | (TOS) → PC,<br>if $s = 1$<br>(WS) → W,<br>(STATUS) → STATUS,<br>(BSRS) → BSR,<br>PCLATU, PCLATH are unchanged   |              |                   |      |      |        |              |              |                   |              |              |              |              |
| Status Affected:  | None  |              |                   |      |      |        |              |              |                   |              |              |              |              |
| Encoding:         | <table border="1"> <tr> <td>0000</td> <td>0000</td> <td>0001</td> <td>001s</td> </tr> </table>  | 0000         | 0000              | 0001 | 001s |        |              |              |                   |              |              |              |              |
| 0000              | 0000  | 0001         | 001s              |      |      |        |              |              |                   |              |              |              |              |
| Description:      | Return from subroutine. The stack is popped and the top of the stack (TOS) is loaded into the program counter. If 's' = 1, the contents of the shadow registers, WS, STATUS and BSRS, are loaded into their corresponding registers, W, Status and BSR. If 's' = 0, no update of these registers occurs (default).            |              |                   |      |      |        |              |              |                   |              |              |              |              |
| Words:            | 1   |              |                   |      |      |        |              |              |                   |              |              |              |              |
| Cycles:           | 2   |              |                   |      |      |        |              |              |                   |              |              |              |              |
| Q Cycle Activity: | <table border="1"> <thead> <tr> <th>Q1</th> <th>Q2</th> <th>Q3</th> <th>Q4</th> </tr> </thead> <tbody> <tr> <td>Decode</td> <td>No operation</td> <td>Process Data</td> <td>Pop PC from stack</td> </tr> <tr> <td>No operation</td> <td>No operation</td> <td>No operation</td> <td>No operation</td> </tr> </tbody> </table> | Q1           | Q2                | Q3   | Q4   | Decode | No operation | Process Data | Pop PC from stack | No operation | No operation | No operation | No operation |
| Q1                | Q2  | Q3           | Q4                |      |      |        |              |              |                   |              |              |              |              |
| Decode            | No operation  | Process Data | Pop PC from stack |      |      |        |              |              |                   |              |              |              |              |
| No operation      | No operation  | No operation | No operation      |      |      |        |              |              |                   |              |              |              |              |

**Example:** RETURN  
After Interrupt  
PC = TOS

| RLCF              | Rotate Left f through Carry  |              |                      |      |      |        |                   |              |                      |
|-------------------|--|--------------|----------------------|------|------|--------|-------------------|--------------|----------------------|
| Syntax:           | [ <i>label</i> ] RLCF f [,d [,a]   |              |                      |      |      |        |                   |              |                      |
| Operands:         | $0 \leq f \leq 255$<br>$d \in [0,1]$<br>$a \in [0,1]$  |              |                      |      |      |        |                   |              |                      |
| Operation:        | (f<n>) → dest<n+1>,<br>(f<7>) → C,<br>(C) → dest<0>  |              |                      |      |      |        |                   |              |                      |
| Status Affected:  | C, N, Z  |              |                      |      |      |        |                   |              |                      |
| Encoding:         | <table border="1"> <tr> <td>0011</td> <td>01da</td> <td>ffff</td> <td>ffff</td> </tr> </table>   | 0011         | 01da                 | ffff | ffff |        |                   |              |                      |
| 0011              | 01da   | ffff         | ffff                 |      |      |        |                   |              |                      |
| Description:      | The contents of register 'f' are rotated one bit to the left through the Carry flag. If 'd' is '0', the result is placed in W. If 'd' is '1', the result is stored back in register 'f' (default). If 'a' is '0', the Access Bank will be selected, overriding the BSR value. If 'a' = 1, then the bank will be selected as per the BSR value (default). |              |                      |      |      |        |                   |              |                      |
|                   |  |              |                      |      |      |        |                   |              |                      |
| Words:            | 1  |              |                      |      |      |        |                   |              |                      |
| Cycles:           | 1  |              |                      |      |      |        |                   |              |                      |
| Q Cycle Activity: | <table border="1"> <thead> <tr> <th>Q1</th> <th>Q2</th> <th>Q3</th> <th>Q4</th> </tr> </thead> <tbody> <tr> <td>Decode</td> <td>Read register 'f'</td> <td>Process Data</td> <td>Write to destination</td> </tr> </tbody> </table>   | Q1           | Q2                   | Q3   | Q4   | Decode | Read register 'f' | Process Data | Write to destination |
| Q1                | Q2   | Q3           | Q4                   |      |      |        |                   |              |                      |
| Decode            | Read register 'f'  | Process Data | Write to destination |      |      |        |                   |              |                      |

**Example:** RLCF REG, 0, 0

**Before Instruction**  
REG = 1110 0110  
C = 0

**After Instruction**  
REG = 1110 0110  
W = 1100 1100  
C = 1

# PIC18F6520/8520/6620/8620/6720/8720

## RLNCF Rotate Left f (no carry)

Syntax: [ *label* ] RLNCF f [,d [,a]

Operands:  $0 \leq f \leq 255$   
 $d \in [0,1]$   
 $a \in [0,1]$

Operation: (f<n>) → dest<n+1>,  
(f<7>) → dest<0>

Status Affected: N, Z

Encoding: 

|      |      |      |      |
|------|------|------|------|
| 0100 | 01da | ffff | ffff |
|------|------|------|------|

Description: The contents of register 'f' are rotated one bit to the left. If 'd' is '0', the result is placed in W. If 'd' is '1', the result is stored back in register 'f' (default). If 'a' is '0', the Access Bank will be selected, overriding the BSR value. If 'a' is '1', then the bank will be selected as per the BSR value (default).



Words: 1

Cycles: 1

Q Cycle Activity:

| Q1     | Q2                | Q3           | Q4                   |
|--------|-------------------|--------------|----------------------|
| Decode | Read register 'f' | Process Data | Write to destination |

**Example:** RLNCF REG, 1, 0

Before Instruction  
REG = 1010 1011  
After Instruction  
REG = 0101 0111

## RRCF Rotate Right f through Carry

Syntax: [ *label* ] RRCF f [,d [,a]

Operands:  $0 \leq f \leq 255$   
 $d \in [0,1]$   
 $a \in [0,1]$

Operation: (f<n>) → dest<n-1>,  
(f<0>) → C,  
(C) → dest<7>

Status Affected: C, N, Z

Encoding: 

|      |      |      |      |
|------|------|------|------|
| 0011 | 00da | ffff | ffff |
|------|------|------|------|

Description: The contents of register 'f' are rotated one bit to the right through the Carry flag. If 'd' is '0', the result is placed in W. If 'd' is '1', the result is placed back in register 'f' (default). If 'a' is '0', the Access Bank will be selected, overriding the BSR value. If 'a' is '1', then the bank will be selected as per the BSR value (default).



Words: 1

Cycles: 1

Q Cycle Activity:

| Q1     | Q2                | Q3           | Q4                   |
|--------|-------------------|--------------|----------------------|
| Decode | Read register 'f' | Process Data | Write to destination |

**Example:** RRCF REG, 0, 0

Before Instruction  
REG = 1110 0110  
C = 0  
After Instruction  
REG = 1110 0110  
W = 0111 0011  
C = 0

# PIC18F6520/8520/6620/8620/6720/8720

## RRNCF Rotate Right f (no carry)

**Syntax:** [ *label* ] RRNCF f [,d [,a]]

**Operands:**  $0 \leq f \leq 255$   
 $d \in [0,1]$   
 $a \in [0,1]$

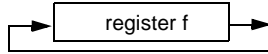
**Operation:** (f<n>) → dest<n-1>,  
(f<0>) → dest<7>

**Status Affected:** N, Z

**Encoding:**

|      |      |      |      |
|------|------|------|------|
| 0100 | 00da | ffff | ffff |
|------|------|------|------|

**Description:** The contents of register 'f' are rotated one bit to the right. If 'd' is '0', the result is placed in W. If 'd' is '1', the result is placed back in register 'f' (default). If 'a' is '0', the Access Bank will be selected, overriding the BSR value. If 'a' is '1', then the bank will be selected as per the BSR value (default).



**Words:** 1

**Cycles:** 1

**Q Cycle Activity:**

| Q1     | Q2                | Q3           | Q4                   |
|--------|-------------------|--------------|----------------------|
| Decode | Read register 'f' | Process Data | Write to destination |

**Example 1:** RRNCF REG, 1, 0

**Before Instruction**  
REG = 1101 0111

**After Instruction**  
REG = 1110 1011

**Example 2:** RRNCF REG, 0, 0

**Before Instruction**  
W = ?  
REG = 1101 0111

**After Instruction**  
W = 1110 1011  
REG = 1101 0111

## SETF Set f

**Syntax:** [ *label* ] SETF f [,a]

**Operands:**  $0 \leq f \leq 255$   
 $a \in [0,1]$

**Operation:** FFh → f

**Status Affected:** None

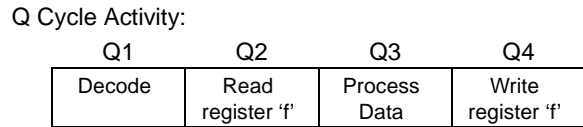
**Encoding:**

|      |      |      |      |
|------|------|------|------|
| 0110 | 100a | ffff | ffff |
|------|------|------|------|

**Description:** The contents of the specified register are set to FFh. If 'a' is '0', the Access Bank will be selected, overriding the BSR value. If 'a' is '1', then the bank will be selected as per the BSR value (default).

**Words:** 1

**Cycles:** 1



**Example:** SETF REG, 1

**Before Instruction**  
REG = 0x5A

**After Instruction**  
REG = 0xFF

# PIC18F6520/8520/6620/8620/6720/8720

|                   |  |              |             |      |      |        |              |              |             |
|-------------------|--|--------------|-------------|------|------|--------|--------------|--------------|-------------|
| <b>SLEEP</b>      | <b>Enter SLEEP mode</b>  |              |             |      |      |        |              |              |             |
| Syntax:           | [ <i>label</i> ] SLEEP   |              |             |      |      |        |              |              |             |
| Operands:         | None   |              |             |      |      |        |              |              |             |
| Operation:        | 00h → WDT,<br>0 → WDT postscaler,<br>1 → $\overline{TO}$ ,<br>0 → $\overline{PD}$  |              |             |      |      |        |              |              |             |
| Status Affected:  | $\overline{TO}$ , $\overline{PD}$  |              |             |      |      |        |              |              |             |
| Encoding:         | <table border="1" style="display: inline-table; border-collapse: collapse;"> <tr> <td style="width: 25px; text-align: center;">0000</td> <td style="width: 25px; text-align: center;">0000</td> <td style="width: 25px; text-align: center;">0000</td> <td style="width: 25px; text-align: center;">0011</td> </tr> </table>   | 0000         | 0000        | 0000 | 0011 |        |              |              |             |
| 0000              | 0000   | 0000         | 0011        |      |      |        |              |              |             |
| Description:      | The Power-down status bit ( $\overline{PD}$ ) is cleared. The Time-out status bit ( $\overline{TO}$ ) is set. Watchdog Timer and its postscaler are cleared. The processor is put into Sleep mode with the oscillator stopped.   |              |             |      |      |        |              |              |             |
| Words:            | 1  |              |             |      |      |        |              |              |             |
| Cycles:           | 1  |              |             |      |      |        |              |              |             |
| Q Cycle Activity: |  |              |             |      |      |        |              |              |             |
|                   | <table border="1" style="display: inline-table; border-collapse: collapse;"> <tr> <td style="width: 25px; text-align: center;">Q1</td> <td style="width: 25px; text-align: center;">Q2</td> <td style="width: 25px; text-align: center;">Q3</td> <td style="width: 25px; text-align: center;">Q4</td> </tr> <tr> <td style="text-align: center;">Decode</td> <td style="text-align: center;">No operation</td> <td style="text-align: center;">Process Data</td> <td style="text-align: center;">Go to Sleep</td> </tr> </table> | Q1           | Q2          | Q3   | Q4   | Decode | No operation | Process Data | Go to Sleep |
| Q1                | Q2   | Q3           | Q4          |      |      |        |              |              |             |
| Decode            | No operation   | Process Data | Go to Sleep |      |      |        |              |              |             |

**Example:**                    SLEEP

Before Instruction

$\overline{TO}$  = ?  
 $\overline{PD}$  = ?

After Instruction

$\overline{TO}$  = 1 †  
 $\overline{PD}$  = 0

† If WDT causes wake-up, this bit is cleared.

|                   |  |              |                      |      |      |        |                   |              |                      |
|-------------------|--|--------------|----------------------|------|------|--------|-------------------|--------------|----------------------|
| <b>SUBFWB</b>     | <b>Subtract f from W with borrow</b>   |              |                      |      |      |        |                   |              |                      |
| Syntax:           | [ <i>label</i> ] SUBFWB f [,d [,a]   |              |                      |      |      |        |                   |              |                      |
| Operands:         | $0 \leq f \leq 255$<br>$d \in [0,1]$<br>$a \in [0,1]$  |              |                      |      |      |        |                   |              |                      |
| Operation:        | $(W) - (f) - (\overline{C}) \rightarrow \text{dest}$   |              |                      |      |      |        |                   |              |                      |
| Status Affected:  | N, OV, C, DC, Z  |              |                      |      |      |        |                   |              |                      |
| Encoding:         | <table border="1" style="display: inline-table; border-collapse: collapse;"> <tr> <td style="width: 25px; text-align: center;">0101</td> <td style="width: 25px; text-align: center;">01da</td> <td style="width: 25px; text-align: center;">ffff</td> <td style="width: 25px; text-align: center;">ffff</td> </tr> </table>   | 0101         | 01da                 | ffff | ffff |        |                   |              |                      |
| 0101              | 01da   | ffff         | ffff                 |      |      |        |                   |              |                      |
| Description:      | Subtract register 'f' and Carry flag (borrow) from W (2's complement method). If 'd' is '0', the result is stored in W. If 'd' is '1', the result is stored in register 'f' (default). If 'a' is '0', the Access Bank will be selected, overriding the BSR value. If 'a' is '1', then the bank will be selected as per the BSR value (default).  |              |                      |      |      |        |                   |              |                      |
| Words:            | 1  |              |                      |      |      |        |                   |              |                      |
| Cycles:           | 1  |              |                      |      |      |        |                   |              |                      |
| Q Cycle Activity: |  |              |                      |      |      |        |                   |              |                      |
|                   | <table border="1" style="display: inline-table; border-collapse: collapse;"> <tr> <td style="width: 25px; text-align: center;">Q1</td> <td style="width: 25px; text-align: center;">Q2</td> <td style="width: 25px; text-align: center;">Q3</td> <td style="width: 25px; text-align: center;">Q4</td> </tr> <tr> <td style="text-align: center;">Decode</td> <td style="text-align: center;">Read register 'f'</td> <td style="text-align: center;">Process Data</td> <td style="text-align: center;">Write to destination</td> </tr> </table> | Q1           | Q2                   | Q3   | Q4   | Decode | Read register 'f' | Process Data | Write to destination |
| Q1                | Q2   | Q3           | Q4                   |      |      |        |                   |              |                      |
| Decode            | Read register 'f'  | Process Data | Write to destination |      |      |        |                   |              |                      |

**Example 1:**                    SUBFWB REG, 1, 0

Before Instruction

REG = 3  
W = 2  
C = 1

After Instruction

REG = FF  
W = 2  
C = 0  
Z = 0  
N = 1 ; result is negative

**Example 2:**                    SUBFWB REG, 0, 0

Before Instruction

REG = 2  
W = 5  
C = 1

After Instruction

REG = 2  
W = 3  
C = 1  
Z = 0  
N = 0 ; result is positive

**Example 3:**                    SUBFWB REG, 1, 0

Before Instruction

REG = 1  
W = 2  
C = 0

After Instruction

REG = 0  
W = 2  
C = 1  
Z = 1 ; result is zero  
N = 0

# PIC18F6520/8520/6620/8620/6720/8720

## SUBLW Subtract W from literal

Syntax: [ *label* ] SUBLW *k*

Operands:  $0 \leq k \leq 255$

Operation:  $k - (W) \rightarrow W$

Status Affected: N, OV, C, DC, Z

Encoding: 

|      |      |      |      |
|------|------|------|------|
| 0000 | 1000 | kkkk | kkkk |
|------|------|------|------|

Description: W is subtracted from the eight-bit literal 'k'. The result is placed in W.

Words: 1

Cycles: 1

Q Cycle Activity:

| Q1     | Q2               | Q3           | Q4         |
|--------|------------------|--------------|------------|
| Decode | Read literal 'k' | Process Data | Write to W |

**Example 1:** SUBLW 0x02

Before Instruction

W = 1  
C = ?

After Instruction

W = 1  
C = 1 ; result is positive  
Z = 0  
N = 0

**Example 2:** SUBLW 0x02

Before Instruction

W = 2  
C = ?

After Instruction

W = 0  
C = 1 ; result is zero  
Z = 1  
N = 0

**Example 3:** SUBLW 0x02

Before Instruction

W = 3  
C = ?

After Instruction

W = FF ; (2's complement)  
C = 0 ; result is negative  
Z = 0  
N = 1

## SUBWF Subtract W from f

Syntax: [ *label* ] SUBWF *f* [,d [,a]]

Operands:  $0 \leq f \leq 255$   
 $d \in [0,1]$   
 $a \in [0,1]$

Operation:  $(f) - (W) \rightarrow \text{dest}$

Status Affected: N, OV, C, DC, Z

Encoding: 

|      |      |      |      |
|------|------|------|------|
| 0101 | 11da | ffff | ffff |
|------|------|------|------|

Description: Subtract W from register 'f' (2's complement method). If 'd' is '0', the result is stored in W. If 'd' is '1', the result is stored back in register 'f' (default). If 'a' is '0', the Access Bank will be selected, overriding the BSR value. If 'a' is '1', then the bank will be selected as per the BSR value (default).

Words: 1

Cycles: 1

Q Cycle Activity:

| Q1     | Q2                | Q3           | Q4                   |
|--------|-------------------|--------------|----------------------|
| Decode | Read register 'f' | Process Data | Write to destination |

**Example 1:** SUBWF REG, 1, 0

Before Instruction

REG = 3  
W = 2  
C = ?

After Instruction

REG = 1  
W = 2  
C = 1 ; result is positive  
Z = 0  
N = 0

**Example 2:** SUBWF REG, 0, 0

Before Instruction

REG = 2  
W = 2  
C = ?

After Instruction

REG = 2  
W = 0  
C = 1 ; result is zero  
Z = 1  
N = 0

**Example 3:** SUBWF REG, 1, 0

Before Instruction

REG = 1  
W = 2  
C = ?

After Instruction

REG = FFh ; (2's complement)  
W = 2  
C = 0 ; result is negative  
Z = 0  
N = 1

# PIC18F6520/8520/6620/8620/6720/8720

**SUBWFB**      **Subtract W from f with Borrow**

---

Syntax:            [ *label* ] SUBWFB f [,d [,a]

Operands:         $0 \leq f \leq 255$   
 $d \in [0,1]$   
 $a \in [0,1]$

Operation:         $(f) - (W) - (\bar{C}) \rightarrow \text{dest}$

Status Affected: N, OV, C, DC, Z

Encoding:        

|      |      |      |      |
|------|------|------|------|
| 0101 | 10da | ffff | ffff |
|------|------|------|------|

Description:     Subtract W and the Carry flag (borrow) from register 'f' (2's complement method). If 'd' is '0', the result is stored in W. If 'd' is '1', the result is stored back in register 'f' (default). If 'a' is '0', the Access Bank will be selected, overriding the BSR value. If 'a' is '1', then the bank will be selected as per the BSR value (default).

Words:            1

Cycles:            1

Q Cycle Activity:

| Q1     | Q2                | Q3           | Q4                   |
|--------|-------------------|--------------|----------------------|
| Decode | Read register 'f' | Process Data | Write to destination |

**Example 1:**            SUBWFB REG, 1, 0

Before Instruction

REG = 0x19      (0001 1001)  
W = 0x0D      (0000 1101)  
C = 1

After Instruction

REG = 0x0C      (0000 1011)  
W = 0x0D      (0000 1101)  
C = 1  
Z = 0  
N = 0            ; result is positive

**Example 2:**            SUBWFB REG, 0, 0

Before Instruction

REG = 0x1B      (0001 1011)  
W = 0x1A      (0001 1010)  
C = 0

After Instruction

REG = 0x1B      (0001 1011)  
W = 0x00  
C = 1  
Z = 1            ; result is zero  
N = 0

**Example 3:**            SUBWFB REG, 1, 0

Before Instruction

REG = 0x03      (0000 0011)  
W = 0x0E      (0000 1101)  
C = 1

After Instruction

REG = 0xF5      (1111 0100)  
                     ; [2's comp]  
W = 0x0E      (0000 1101)  
C = 0  
Z = 0  
N = 1            ; result is negative

**SWAPF**        **Swap f**

---

Syntax:            [ *label* ] SWAPF f [,d [,a]

Operands:         $0 \leq f \leq 255$   
 $d \in [0,1]$   
 $a \in [0,1]$

Operation:         $(f<3:0>) \rightarrow \text{dest}<7:4>$ ,  
 $(f<7:4>) \rightarrow \text{dest}<3:0>$

Status Affected: None

Encoding:        

|      |      |      |      |
|------|------|------|------|
| 0011 | 10da | ffff | ffff |
|------|------|------|------|

Description:     The upper and lower nibbles of register 'f' are exchanged. If 'd' is '0', the result is placed in W. If 'd' is '1', the result is placed in register 'f' (default). If 'a' is '0', the Access Bank will be selected, overriding the BSR value. If 'a' is '1', then the bank will be selected as per the BSR value (default).

Words:            1

Cycles:            1

Q Cycle Activity:

| Q1     | Q2                | Q3           | Q4                   |
|--------|-------------------|--------------|----------------------|
| Decode | Read register 'f' | Process Data | Write to destination |

**Example:**            SWAPF REG, 1, 0

Before Instruction

REG = 0x53

After Instruction

REG = 0x35



# PIC18F6520/8520/6620/8620/6720/8720

**TBLRD**      **Table Read**

---

Syntax:      [ *label* ]    TBLRD ( \*, \*+, \*-; +\* )

Operands:    None

Operation:    if TBLRD \*,  
                  (Prog Mem (TBLPTR)) → TABLAT;  
                  TBLPTR – No Change;  
                  if TBLRD \*+,  
                  (Prog Mem (TBLPTR)) → TABLAT;  
                  (TBLPTR) + 1 → TBLPTR;  
                  if TBLRD \*-,  
                  (Prog Mem (TBLPTR)) → TABLAT;  
                  (TBLPTR) – 1 → TBLPTR;  
                  if TBLRD +\*,  
                  (TBLPTR) + 1 → TBLPTR;  
                  (Prog Mem (TBLPTR)) → TABLAT;

Status Affected: None

Encoding:

|      |      |      |   |
|------|------|------|---|
| 0000 | 0000 | 0000 | 10nn<br>nn=0 *<br>=1 *+<br>=2 *-<br>=3 +* |
|------|------|------|---|

Description:    This instruction is used to read the contents of Program Memory (P.M.). To address the Program Memory, a pointer called Table Pointer (TBLPTR) is used. The TBLPTR (a 21-bit pointer) points to each byte in the program memory. TBLPTR has a 2-Mbyte address range.

TBLPTR[0] = 0: Least Significant Byte of Program Memory Word

TBLPTR[0] = 1: Most Significant Byte of Program Memory Word

The TBLRD instruction can modify the value of TBLPTR as follows:

- no change
- post-increment
- post-decrement
- pre-increment

Words:        1

Cycles:       2

Q Cycle Activity:

|              | Q1                                 | Q2           | Q3           | Q4                          |
|--------------|------------------------------------|--------------|--------------|-----------------------------|
| Decode       | No operation                       | No operation | No operation | No operation                |
| No operation | No operation (Read Program Memory) | No operation | No operation | No operation (Write TABLAT) |

**TBLRD**      **Table Read (Continued)**

---

Example 1:      TBLRD \*+ ;

Before Instruction

TABLAT            =    0x55  
 TBLPTR            =    0x00A356  
 MEMORY(0x00A356) =    0x34

After Instruction

TABLAT            =    0x34  
 TBLPTR            =    0x00A357

Example 2:      TBLRD \*- ;

Before Instruction

TABLAT            =    0xAA  
 TBLPTR            =    0x01A357  
 MEMORY(0x01A357) =    0x12  
 MEMORY(0x01A358) =    0x34

After Instruction

TABLAT            =    0x34  
 TBLPTR            =    0x01A358

# PIC18F6520/8520/6620/8620/6720/8720

## TBLWT Table Write

**Syntax:** [ *label* ] TBLWT ( \*; \*+; \*-; +\* )

**Operands:** None

**Operation:** if TBLWT\*,  
 (TABLAT) → Holding Register;  
 TBLPTR – No Change;  
 if TBLWT\*+,  
 (TABLAT) → Holding Register;  
 (TBLPTR) + 1 → TBLPTR;  
 if TBLWT\*-,  
 (TABLAT) → Holding Register;  
 (TBLPTR) – 1 → TBLPTR;  
 if TBLWT\*+\*,  
 (TBLPTR) + 1 → TBLPTR;  
 (TABLAT) → Holding Register;

**Status Affected:** None

**Encoding:**

|      |      |      |   |
|------|------|------|---|
| 0000 | 0000 | 0000 | 11nn<br>nn=0 *<br>=1 *+<br>=2 *-<br>=3 +* |
|------|------|------|---|

**Description:** This instruction uses the 3 LSBs of TBLPTR to determine which of the 8 holding registers the TABLAT is written to. The holding registers are used to program the contents of Program Memory (P.M.). (Refer to **Section 5.0 “Flash Program Memory”** for additional details on programming Flash memory.) The TBLPTR (a 21-bit pointer) points to each byte in the Program Memory. TBLPTR has a 2-Mbyte address range. The LSb of the TBLPTR selects which byte of the program memory location to access.

TBLPTR[0] = 0: Least Significant Byte of Program Memory Word

TBLPTR[0] = 1: Most Significant Byte of Program Memory Word

The TBLWT instruction can modify the value of TBLPTR as follows:

- no change
- post-increment
- post-decrement
- pre-increment

## TBLWT Table Write (Continued)

**Words:** 1

**Cycles:** 2

**Q Cycle Activity:**

| Q1           | Q2                         | Q3           | Q4                                       |
|--------------|----------------------------|--------------|--|
| Decode       | No operation               | No operation | No operation                             |
| No operation | No operation (Read TABLAT) | No operation | No operation (Write to Holding Register) |

**Example 1:** TBLWT \*+;

**Before Instruction**

TABLAT = 0x55  
 TBLPTR = 0x00A356  
 HOLDING REGISTER (0x00A356) = 0xFF

**After Instructions (table write completion)**

TABLAT = 0x55  
 TBLPTR = 0x00A357  
 HOLDING REGISTER (0x00A356) = 0x55

**Example 2:** TBLWT +\*;

**Before Instruction**

TABLAT = 0x34  
 TBLPTR = 0x01389A  
 HOLDING REGISTER (0x01389A) = 0xFF  
 HOLDING REGISTER (0x01389B) = 0xFF

**After Instruction (table write completion)**

TABLAT = 0x34  
 TBLPTR = 0x01389B  
 HOLDING REGISTER (0x01389A) = 0xFF  
 HOLDING REGISTER (0x01389B) = 0x34

# PIC18F6520/8520/6620/8620/6720/8720

**TSTFSZ**      **Test f, skip if 0**

---

Syntax:      [ *label* ] TSTFSZ f [,a]

Operands:     $0 \leq f \leq 255$   
                    $a \in [0,1]$

Operation:    skip if  $f = 0$

Status Affected: None

Encoding:    

|      |      |      |      |
|------|------|------|------|
| 0110 | 011a | ffff | ffff |
|------|------|------|------|

Description:    If 'f' = 0, the next instruction, fetched during the current instruction execution is discarded and a NOP is executed, making this a two-cycle instruction. If 'a' is '0', the Access Bank will be selected, overriding the BSR value. If 'a' is '1', then the bank will be selected as per the BSR value (default).

Words:        1

Cycles:        1(2)  
                   **Note:** 3 cycles if skip and followed by a 2-word instruction.

Q Cycle Activity:

| Q1     | Q2                | Q3           | Q4           |
|--------|-------------------|--------------|--------------|
| Decode | Read register 'f' | Process Data | No operation |

If skip:

| Q1           | Q2           | Q3           | Q4           |
|--------------|--------------|--------------|--------------|
| No operation | No operation | No operation | No operation |

If skip and followed by 2-word instruction:

| Q1           | Q2           | Q3           | Q4           |
|--------------|--------------|--------------|--------------|
| No operation | No operation | No operation | No operation |
| No operation | No operation | No operation | No operation |

**Example:**

```

HERE      TSTFSZ   CNT, 1
NZERO     :
ZERO      :
```

Before Instruction

PC        =    Address (HERE)

After Instruction

```

If CNT    =    0x00,
PC        =    Address (ZERO)
If CNT    ≠    0x00,
PC        =    Address (NZERO)
```

**XORLW**        **Exclusive OR literal with W**

---

Syntax:        [ *label* ] XORLW k

Operands:       $0 \leq k \leq 255$

Operation:      (W) .XOR. k → W

Status Affected: N, Z

Encoding:      

|      |      |      |      |
|------|------|------|------|
| 0000 | 1010 | kkkk | kkkk |
|------|------|------|------|

Description:    The contents of W are XOR'ed with the 8-bit literal 'k'. The result is placed in W.

Words:         1

Cycles:         1

Q Cycle Activity:

| Q1     | Q2               | Q3           | Q4         |
|--------|------------------|--------------|------------|
| Decode | Read literal 'k' | Process Data | Write to W |

**Example:**                    XORLW 0xAF

Before Instruction

W        =    0xB5

After Instruction

W        =    0x1A

# PIC18F6520/8520/6620/8620/6720/8720

---

## XORWF Exclusive OR W with f

Syntax: [ *label* ] XORWF f [,d [,a]

Operands:  $0 \leq f \leq 255$   
 $d \in [0,1]$   
 $a \in [0,1]$

Operation: (W) .XOR. (f) → dest

Status Affected: N, Z

Encoding: 

|      |      |      |      |
|------|------|------|------|
| 0001 | 10da | ffff | ffff |
|------|------|------|------|

Description: Exclusive OR the contents of W with register 'f'. If 'd' is '0', the result is stored in W. If 'd' is '1', the result is stored back in register 'f' (default). If 'a' is '0', the Access Bank will be selected, overriding the BSR value. If 'a' is '1', then the bank will be selected as per the BSR value (default).

Words: 1

Cycles: 1

Q Cycle Activity:

| Q1     | Q2                | Q3           | Q4                   |
|--------|-------------------|--------------|----------------------|
| Decode | Read register 'f' | Process Data | Write to destination |

Example: XORWF REG, 1, 0

Before Instruction

REG = 0xAF  
W = 0xB5

After Instruction

REG = 0x1A  
W = 0xB5

# PIC18F6520/8520/6620/8620/6720/8720

---

## 25.0 DEVELOPMENT SUPPORT

The PIC® microcontrollers and dsPIC® digital signal controllers are supported with a full range of software and hardware development tools:

- Integrated Development Environment
  - MPLAB® IDE Software
- Compilers/Assemblers/Linkers
  - MPLAB C Compiler for Various Device Families
  - HI-TECH C® for Various Device Families
  - MPASM™ Assembler
  - MPLINK™ Object Linker/  
MPLIB™ Object Librarian
  - MPLAB Assembler/Linker/Librarian for Various Device Families
- Simulators
  - MPLAB SIM Software Simulator
- Emulators
  - MPLAB REAL ICE™ In-Circuit Emulator
- In-Circuit Debuggers
  - MPLAB ICD 3
  - PICKit™ 3 Debug Express
- Device Programmers
  - PICKit™ 2 Programmer
  - MPLAB PM3 Device Programmer
- Low-Cost Demonstration/Development Boards, Evaluation Kits, and Starter Kits

## 25.1 MPLAB Integrated Development Environment Software

The MPLAB IDE software brings an ease of software development previously unseen in the 8/16/32-bit microcontroller market. The MPLAB IDE is a Windows® operating system-based application that contains:

- A single graphical interface to all debugging tools
  - Simulator
  - Programmer (sold separately)
  - In-Circuit Emulator (sold separately)
  - In-Circuit Debugger (sold separately)
- A full-featured editor with color-coded context
- A multiple project manager
- Customizable data windows with direct edit of contents
- High-level source code debugging
- Mouse over variable inspection
- Drag and drop variables from source to watch windows
- Extensive on-line help
- Integration of select third party tools, such as IAR C Compilers

The MPLAB IDE allows you to:

- Edit your source files (either C or assembly)
- One-touch compile or assemble, and download to emulator and simulator tools (automatically updates all project information)
- Debug using:
  - Source files (C or assembly)
  - Mixed C and assembly
  - Machine code

MPLAB IDE supports multiple debugging tools in a single development paradigm, from the cost-effective simulators, through low-cost in-circuit debuggers, to full-featured emulators. This eliminates the learning curve when upgrading to tools with increased flexibility and power.

# PIC18F6520/8520/6620/8620/6720/8720

---

## 25.2 MPLAB C Compilers for Various Device Families

The MPLAB C Compiler code development systems are complete ANSI C compilers for Microchip's PIC18, PIC24 and PIC32 families of microcontrollers and the dsPIC30 and dsPIC33 families of digital signal controllers. These compilers provide powerful integration capabilities, superior code optimization and ease of use.

For easy source level debugging, the compilers provide symbol information that is optimized to the MPLAB IDE debugger.

## 25.3 HI-TECH C for Various Device Families

The HI-TECH C Compiler code development systems are complete ANSI C compilers for Microchip's PIC family of microcontrollers and the dsPIC family of digital signal controllers. These compilers provide powerful integration capabilities, omniscient code generation and ease of use.

For easy source level debugging, the compilers provide symbol information that is optimized to the MPLAB IDE debugger.

The compilers include a macro assembler, linker, pre-processor, and one-step driver, and can run on multiple platforms.

## 25.4 MPASM Assembler

The MPASM Assembler is a full-featured, universal macro assembler for PIC10/12/16/18 MCUs.

The MPASM Assembler generates relocatable object files for the MPLINK Object Linker, Intel® standard HEX files, MAP files to detail memory usage and symbol reference, absolute LST files that contain source lines and generated machine code and COFF files for debugging.

The MPASM Assembler features include:

- Integration into MPLAB IDE projects
- User-defined macros to streamline assembly code
- Conditional assembly for multi-purpose source files
- Directives that allow complete control over the assembly process

## 25.5 MPLINK Object Linker/ MPLIB Object Librarian

The MPLINK Object Linker combines relocatable objects created by the MPASM Assembler and the MPLAB C18 C Compiler. It can link relocatable objects from precompiled libraries, using directives from a linker script.

The MPLIB Object Librarian manages the creation and modification of library files of precompiled code. When a routine from a library is called from a source file, only the modules that contain that routine will be linked in with the application. This allows large libraries to be used efficiently in many different applications.

The object linker/library features include:

- Efficient linking of single libraries instead of many smaller files
- Enhanced code maintainability by grouping related modules together
- Flexible creation of libraries with easy module listing, replacement, deletion and extraction

## 25.6 MPLAB Assembler, Linker and Librarian for Various Device Families

MPLAB Assembler produces relocatable machine code from symbolic assembly language for PIC24, PIC32 and dsPIC devices. MPLAB C Compiler uses the assembler to produce its object file. The assembler generates relocatable object files that can then be archived or linked with other relocatable object files and archives to create an executable file. Notable features of the assembler include:

- Support for the entire device instruction set
- Support for fixed-point and floating-point data
- Command line interface
- Rich directive set
- Flexible macro language
- MPLAB IDE compatibility

## 25.7 MPLAB SIM Software Simulator

The MPLAB SIM Software Simulator allows code development in a PC-hosted environment by simulating the PIC MCUs and dsPIC<sup>®</sup> DSCs on an instruction level. On any given instruction, the data areas can be examined or modified and stimuli can be applied from a comprehensive stimulus controller. Registers can be logged to files for further run-time analysis. The trace buffer and logic analyzer display extend the power of the simulator to record and track program execution, actions on I/O, most peripherals and internal registers.

The MPLAB SIM Software Simulator fully supports symbolic debugging using the MPLAB C Compilers, and the MPASM and MPLAB Assemblers. The software simulator offers the flexibility to develop and debug code outside of the hardware laboratory environment, making it an excellent, economical software development tool.

## 25.8 MPLAB REAL ICE In-Circuit Emulator System

MPLAB REAL ICE In-Circuit Emulator System is Microchip's next generation high-speed emulator for Microchip Flash DSC and MCU devices. It debugs and programs PIC<sup>®</sup> Flash MCUs and dsPIC<sup>®</sup> Flash DSCs with the easy-to-use, powerful graphical user interface of the MPLAB Integrated Development Environment (IDE), included with each kit.

The emulator is connected to the design engineer's PC using a high-speed USB 2.0 interface and is connected to the target with either a connector compatible with in-circuit debugger systems (RJ11) or with the new high-speed, noise tolerant, Low-Voltage Differential Signal (LVDS) interconnection (CAT5).

The emulator is field upgradable through future firmware downloads in MPLAB IDE. In upcoming releases of MPLAB IDE, new devices will be supported, and new features will be added. MPLAB REAL ICE offers significant advantages over competitive emulators including low-cost, full-speed emulation, run-time variable watches, trace analysis, complex breakpoints, a ruggedized probe interface and long (up to three meters) interconnection cables.

## 25.9 MPLAB ICD 3 In-Circuit Debugger System

MPLAB ICD 3 In-Circuit Debugger System is Microchip's most cost effective high-speed hardware debugger/programmer for Microchip Flash Digital Signal Controller (DSC) and microcontroller (MCU) devices. It debugs and programs PIC<sup>®</sup> Flash microcontrollers and dsPIC<sup>®</sup> DSCs with the powerful, yet easy-to-use graphical user interface of MPLAB Integrated Development Environment (IDE).

The MPLAB ICD 3 In-Circuit Debugger probe is connected to the design engineer's PC using a high-speed USB 2.0 interface and is connected to the target with a connector compatible with the MPLAB ICD 2 or MPLAB REAL ICE systems (RJ-11). MPLAB ICD 3 supports all MPLAB ICD 2 headers.

## 25.10 PICkit 3 In-Circuit Debugger/Programmer and PICkit 3 Debug Express

The MPLAB PICkit 3 allows debugging and programming of PIC<sup>®</sup> and dsPIC<sup>®</sup> Flash microcontrollers at a most affordable price point using the powerful graphical user interface of the MPLAB Integrated Development Environment (IDE). The MPLAB PICkit 3 is connected to the design engineer's PC using a full speed USB interface and can be connected to the target via a Microchip debug (RJ-11) connector (compatible with MPLAB ICD 3 and MPLAB REAL ICE). The connector uses two device I/O pins and the reset line to implement in-circuit debugging and In-Circuit Serial Programming<sup>™</sup>.

The PICkit 3 Debug Express include the PICkit 3, demo board and microcontroller, hookup cables and CDROM with user's guide, lessons, tutorial, compiler and MPLAB IDE software.

# PIC18F6520/8520/6620/8620/6720/8720

---

## 25.11 PICkit 2 Development Programmer/Debugger and PICkit 2 Debug Express

The PICkit™ 2 Development Programmer/Debugger is a low-cost development tool with an easy to use interface for programming and debugging Microchip's Flash families of microcontrollers. The full featured Windows® programming interface supports baseline (PIC10F, PIC12F5xx, PIC16F5xx), midrange (PIC12F6xx, PIC16F), PIC18F, PIC24, dsPIC30, dsPIC33, and PIC32 families of 8-bit, 16-bit, and 32-bit microcontrollers, and many Microchip Serial EEPROM products. With Microchip's powerful MPLAB Integrated Development Environment (IDE) the PICkit™ 2 enables in-circuit debugging on most PIC® microcontrollers. In-Circuit-Debugging runs, halts and single steps the program while the PIC microcontroller is embedded in the application. When halted at a breakpoint, the file registers can be examined and modified.

The PICkit 2 Debug Express include the PICkit 2, demo board and microcontroller, hookup cables and CDROM with user's guide, lessons, tutorial, compiler and MPLAB IDE software.

## 25.12 MPLAB PM3 Device Programmer

The MPLAB PM3 Device Programmer is a universal, CE compliant device programmer with programmable voltage verification at VDDMIN and VDDMAX for maximum reliability. It features a large LCD display (128 x 64) for menus and error messages and a modular, detachable socket assembly to support various package types. The ICSP™ cable assembly is included as a standard item. In Stand-Alone mode, the MPLAB PM3 Device Programmer can read, verify and program PIC devices without a PC connection. It can also set code protection in this mode. The MPLAB PM3 connects to the host PC via an RS-232 or USB cable. The MPLAB PM3 has high-speed communications and optimized algorithms for quick programming of large memory devices and incorporates an MMC card for file storage and data applications.

## 25.13 Demonstration/Development Boards, Evaluation Kits, and Starter Kits

A wide variety of demonstration, development and evaluation boards for various PIC MCUs and dsPIC DSCs allows quick application development on fully functional systems. Most boards include prototyping areas for adding custom circuitry and provide application firmware and source code for examination and modification.

The boards support a variety of features, including LEDs, temperature sensors, switches, speakers, RS-232 interfaces, LCD displays, potentiometers and additional EEPROM memory.

The demonstration and development boards can be used in teaching environments, for prototyping custom circuits and for learning about various microcontroller applications.

In addition to the PICDEM™ and dsPICDEM™ demonstration/development board series of circuits, Microchip has a line of evaluation kits and demonstration software for analog filter design, KEELOQ® security ICs, CAN, IrDA®, PowerSmart battery management, SEEVAL® evaluation system, Sigma-Delta ADC, flow rate sensing, plus many more.

Also available are starter kits that contain everything needed to experience the specified device. This usually includes a single application and debug capability, all on one board.

Check the Microchip web page ([www.microchip.com](http://www.microchip.com)) for the complete list of demonstration, development and evaluation kits.



# PIC18F6520/8520/6620/8620/6720/8720

## 26.0 ELECTRICAL CHARACTERISTICS

### Absolute Maximum Ratings <sup>(†)</sup>

|  |                                   |
|--|-----------------------------------|
| Ambient temperature under bias .....   | -55°C to +125°C                   |
| Storage temperature .....  | -65°C to +150°C                   |
| Voltage on any pin with respect to V <sub>SS</sub> (except V <sub>DD</sub> , $\overline{\text{MCLR}}$ and RA4) ..... | -0.3V to (V <sub>DD</sub> + 0.3V) |
| Voltage on V <sub>DD</sub> with respect to V <sub>SS</sub> .....   | -0.3V to +5.5V                    |
| Voltage on $\overline{\text{MCLR}}$ with respect to V <sub>SS</sub> ( <b>Note 2</b> ) .....                          | 0V to +13.25V                     |
| Voltage on RA4 with respect to V <sub>SS</sub> .....   | 0V to +8.5V                       |
| Total power dissipation ( <b>Note 1</b> ) .....  | 1.0W                              |
| Maximum current out of V <sub>SS</sub> pin .....   | 300 mA                            |
| Maximum current into V <sub>DD</sub> pin .....   | 250 mA                            |
| Input clamp current, I <sub>IK</sub> (V <sub>I</sub> < 0 or V <sub>I</sub> > V <sub>DD</sub> ) .....                 | ±20 mA                            |
| Output clamp current, I <sub>OK</sub> (V <sub>O</sub> < 0 or V <sub>O</sub> > V <sub>DD</sub> ) .....                | ±20 mA                            |
| Maximum output current sunk by any I/O pin .....   | 25 mA                             |
| Maximum output current sourced by any I/O pin .....  | 25 mA                             |
| Maximum current sunk by all ports .....  | 200 mA                            |
| Maximum current sourced by all ports .....   | 200 mA                            |

**Note 1:** Power dissipation is calculated as follows:

$$P_{dis} = V_{DD} \times \{I_{DD} - \sum I_{OH}\} + \sum \{(V_{DD} - V_{OH}) \times I_{OH}\} + \sum (V_{OL} \times I_{OL})$$

- 2:** Voltage spikes below V<sub>SS</sub> at the  $\overline{\text{MCLR}}$ /V<sub>PP</sub> pin, inducing currents greater than 80 mA, may cause latch-up. Thus, a series resistor of 50-100Ω should be used when applying a “low” level to the  $\overline{\text{MCLR}}$ /V<sub>PP</sub> pin, rather than pulling this pin directly to V<sub>SS</sub>.

† NOTICE: Stresses above those listed under “Absolute Maximum Ratings” may cause permanent damage to the device. This is a stress rating only and functional operation of the device at those or any other conditions above those indicated in the operation listings of this specification is not implied. Exposure to maximum rating conditions for extended periods may affect device reliability.

# PIC18F6520/8520/6620/8620/6720/8720

FIGURE 26-1: PIC18F6520/8520 VOLTAGE-FREQUENCY GRAPH (INDUSTRIAL, EXTENDED)



FIGURE 26-2: PIC18LF6520/8520 VOLTAGE-FREQUENCY GRAPH (INDUSTRIAL)



# PIC18F6520/8520/6620/8620/6720/8720

**FIGURE 26-3: PIC18F6620/6720/8620/8720 VOLTAGE-FREQUENCY GRAPH (INDUSTRIAL, EXTENDED)**



**FIGURE 26-4: PIC18LF6620/6720/8620/8720 VOLTAGE-FREQUENCY GRAPH (INDUSTRIAL)**



# PIC18F6520/8520/6620/8620/6720/8720

## 26.1 DC Characteristics: Supply Voltage

PIC18F6520/8520/6620/8620/6720/8720 (Industrial, Extended)

PIC18LF6520/8520/6620/8620/6720/8720 (Industrial)

| PIC18LF6520/8520/6620/8620/6720/8720<br>(Industrial)          |        | Standard Operating Conditions (unless otherwise stated)<br>Operating temperature $-40^{\circ}\text{C} \leq T_A \leq +85^{\circ}\text{C}$ for industrial  |                |     |                |       |   |
|---|--------|--|----------------|-----|----------------|-------|---|
| PIC18F6520/8520/6620/8620/6720/8720<br>(Industrial, Extended) |        | Standard Operating Conditions (unless otherwise stated)<br>Operating temperature $-40^{\circ}\text{C} \leq T_A \leq +85^{\circ}\text{C}$ for industrial<br>$-40^{\circ}\text{C} \leq T_A \leq +125^{\circ}\text{C}$ for extended |                |     |                |       |   |
| Param No.   | Symbol | Characteristic   | Min            | Typ | Max            | Units | Conditions                                |
| D001  | VDD    | <b>Supply Voltage</b>  |                |     |                |       |   |
|   |        | PIC18LFXX20  | 2.0            | —   | 5.5            | V     | HS, XT, RC and LP Oscillator mode         |
|   |        | PIC18FXX20   | 4.2            | —   | 5.5            | V     |   |
| D001A   | AVDD   | <b>Analog Supply Voltage</b>   | $V_{DD} - 0.3$ | —   | $V_{DD} + 0.3$ | V     |   |
| D002  | VDR    | <b>RAM Data Retention Voltage<sup>(1)</sup></b>  | 1.5            | —   | —              | V     |   |
| D003  | VPOR   | <b>VDD Start Voltage</b><br>to ensure internal<br>Power-on Reset signal  | —              | —   | 0.7            | V     | See section on Power-on Reset for details |
| D004  | SVDD   | <b>VDD Rise Rate</b><br>to ensure internal<br>Power-on Reset signal  | 0.05           | —   | —              | V/ms  | See section on Power-on Reset for details |
| D005  | VBOR   | <b>Brown-out Reset Voltage</b>   |                |     |                |       |   |
|   |        | BORV1:BORV0 = 11   | N/A            | —   | N/A            | V     | Reserved                                  |
|   |        | BORV1:BORV0 = 10   | 2.64           | —   | 2.92           | V     |   |
|   |        | BORV1:BORV0 = 01   | 4.11           | —   | 4.55           | V     |   |
|   |        | BORV1:BORV0 = 00   | 4.41           | —   | 4.87           | V     |   |

**Legend:** Shading of rows is to assist in readability of the table.

**Note 1:** This is the limit to which VDD can be lowered in Sleep mode, or during a device Reset, without losing RAM data.

# PIC18F6520/8520/6620/8620/6720/8720

## 26.2 DC Characteristics: Power-Down and Supply Current

PIC18F6520/8520/6620/8620/6720/8720 (Industrial, Extended)  
 PIC18LF6520/8520/6620/8620/6720/8720 (Industrial)

| PIC18LF6520/8520/6620/8620/6720/8720<br>(Industrial)          |             | Standard Operating Conditions (unless otherwise stated)<br>Operating temperature $-40^{\circ}\text{C} \leq T_A \leq +85^{\circ}\text{C}$ for industrial  |     |       |            |
|---|-------------|--|-----|-------|------------|
| PIC18F6520/8520/6620/8620/6720/8720<br>(Industrial, Extended) |             | Standard Operating Conditions (unless otherwise stated)<br>Operating temperature $-40^{\circ}\text{C} \leq T_A \leq +85^{\circ}\text{C}$ for industrial<br>$-40^{\circ}\text{C} \leq T_A \leq +125^{\circ}\text{C}$ for extended |     |       |            |
| Param No.   | Device      | Typ  | Max | Units | Conditions |
| <b>Power-down Current (I<sub>PD</sub>)<sup>(1)</sup></b>      |             |  |     |       |            |
|   | PIC18LFXX20 | 0.2  | 1   | μA    | -40°C      |
|   |             | 0.2  | 1   | μA    | +25°C      |
|   |             | 1.2  | 5   | μA    | +85°C      |
|   | PIC18LFXX20 | 0.4  | 1   | μA    | -40°C      |
|   |             | 0.4  | 1   | μA    | +25°C      |
|   |             | 1.8  | 8   | μA    | +85°C      |
|   | All devices | 0.7  | 2   | μA    | -40°C      |
|   |             | 0.7  | 2   | μA    | +25°C      |
|   |             | 3.0  | 15  | μA    | +85°C      |

**Legend:** Shading of rows is to assist in readability of the table.

- Note 1:** The power-down current in Sleep mode does not depend on the oscillator type. Power-down current is measured with the part in Sleep mode, with all I/O pins in high-impedance state and tied to V<sub>DD</sub> or V<sub>SS</sub> and all features that add delta current disabled (such as WDT, Timer1 Oscillator, BOR, etc.).
- 2:** The supply current is mainly a function of operating voltage, frequency and mode. Other factors, such as I/O pin loading and switching rate, oscillator type and circuit, internal code execution pattern and temperature, also have an impact on the current consumption.  
 The test conditions for all I<sub>DD</sub> measurements in active operation mode are:  
 OSC1 = external square wave, from rail-to-rail; all I/O pins tri-stated, pulled to V<sub>DD</sub>;  
 MCLR = V<sub>DD</sub>; WDT enabled/disabled as specified.
- 3:** For RC oscillator configurations, current through R<sub>EXT</sub> is not included. The current through the resistor can be estimated by the formula  $I_r = V_{DD}/2R_{EXT}$  (mA) with R<sub>EXT</sub> in kΩ.

# PIC18F6520/8520/6620/8620/6720/8720

## 26.2 DC Characteristics: Power-Down and Supply Current

PIC18F6520/8520/6620/8620/6720/8720 (Industrial, Extended)

PIC18LF6520/8520/6620/8620/6720/8720 (Industrial) (Continued)

| Param No.  | Device      | Typ  | Max  | Units | Conditions |  |
|--|-------------|--|------|-------|------------|--|
| PIC18LF6520/8520/6620/8620/6720/8720 (Industrial)          |             | Standard Operating Conditions (unless otherwise stated)<br>Operating temperature $-40^{\circ}\text{C} \leq T_A \leq +85^{\circ}\text{C}$ for industrial  |      |       |            |  |
| PIC18F6520/8520/6620/8620/6720/8720 (Industrial, Extended) |             | Standard Operating Conditions (unless otherwise stated)<br>Operating temperature $-40^{\circ}\text{C} \leq T_A \leq +85^{\circ}\text{C}$ for industrial<br>$-40^{\circ}\text{C} \leq T_A \leq +125^{\circ}\text{C}$ for extended |      |       |            |  |
| <b>Supply Current (I<sub>DD</sub>)<sup>(2,3)</sup></b>     |             |  |      |       |            |  |
|  | PIC18LFXX20 | 165  | 350  | μA    | -40°C      | V <sub>DD</sub> = 2.0V<br><br>FOSC = 1 MHz,<br>EC oscillator |
|  |             | 165  | 350  | μA    | +25°C      |  |
|  |             | 170  | 350  | μA    | +85°C      |  |
|  | PIC18LFXX20 | 360  | 750  | μA    | -40°C      |  |
|  |             | 340  | 750  | μA    | +25°C      |  |
|  |             | 300  | 750  | μA    | +85°C      |  |
|  | All devices | 800  | 1700 | μA    | -40°C      |  |
|  |             | 730  | 1700 | μA    | +25°C      |  |
|  |             | 700  | 1700 | μA    | +85°C      |  |
|  | PIC18LFXX20 | 600  | 1200 | μA    | -40°C      | V <sub>DD</sub> = 2.0V<br><br>FOSC = 4 MHz,<br>EC oscillator |
|  |             | 600  | 1200 | μA    | +25°C      |  |
|  |             | 640  | 1300 | μA    | +85°C      |  |
|  | PIC18LFXX20 | 1000   | 2500 | μA    | -40°C      |  |
|  |             | 1000   | 2500 | μA    | +25°C      |  |
|  |             | 1000   | 2500 | μA    | +85°C      |  |
|  | All devices | 2.2  | 5.0  | mA    | -40°C      |  |
|  |             | 2.1  | 5.0  | mA    | +25°C      |  |
|  |             | 2.0  | 5.0  | mA    | +85°C      |  |

**Legend:** Shading of rows is to assist in readability of the table.

- Note 1:** The power-down current in Sleep mode does not depend on the oscillator type. Power-down current is measured with the part in Sleep mode, with all I/O pins in high-impedance state and tied to V<sub>DD</sub> or V<sub>SS</sub> and all features that add delta current disabled (such as WDT, Timer1 Oscillator, BOR, etc.).
- 2:** The supply current is mainly a function of operating voltage, frequency and mode. Other factors, such as I/O pin loading and switching rate, oscillator type and circuit, internal code execution pattern and temperature, also have an impact on the current consumption.  
The test conditions for all I<sub>DD</sub> measurements in active operation mode are:  
OSC1 = external square wave, from rail-to-rail; all I/O pins tri-stated, pulled to V<sub>DD</sub>;  
MCLR = V<sub>DD</sub>; WDT enabled/disabled as specified.
- 3:** For RC oscillator configurations, current through R<sub>EXT</sub> is not included. The current through the resistor can be estimated by the formula  $I_r = V_{DD}/2R_{EXT}$  (mA) with R<sub>EXT</sub> in kΩ.

# PIC18F6520/8520/6620/8620/6720/8720

## 26.2 DC Characteristics: Power-Down and Supply Current

PIC18F6520/8520/6620/8620/6720/8720 (Industrial, Extended)

PIC18LF6520/8520/6620/8620/6720/8720 (Industrial) (Continued)

| PIC18LF6520/8520/6620/8620/6720/8720<br>(Industrial)          |                        | Standard Operating Conditions (unless otherwise stated)   |     |       |   |                        |                                   |
|---|------------------------|---|-----|-------|---|------------------------|-----------------------------------|
|   |                        | Operating temperature $-40^{\circ}\text{C} \leq T_A \leq +85^{\circ}\text{C}$ for industrial  |     |       |   |                        |                                   |
| PIC18F6520/8520/6620/8620/6720/8720<br>(Industrial, Extended) |                        | Standard Operating Conditions (unless otherwise stated)   |     |       |   |                        |                                   |
|   |                        | Operating temperature $-40^{\circ}\text{C} \leq T_A \leq +85^{\circ}\text{C}$ for industrial<br>$-40^{\circ}\text{C} \leq T_A \leq +125^{\circ}\text{C}$ for extended |     |       |   |                        |                                   |
| Param No.   | Device                 | Typ   | Max | Units | Conditions                                      |                        |                                   |
| <b>Supply Current (I<sub>DD</sub>)<sup>(2,3)</sup></b>        |                        |   |     |       |   |                        |                                   |
|   | PIC18FX620, PIC18FX720 | 9.3   | 15  | mA    | $-40^{\circ}\text{C}$                           | V <sub>DD</sub> = 4.2V | FOSC = 25 MHz,<br>EC oscillator   |
|   |                        | 9.5   | 15  | mA    | $+25^{\circ}\text{C}$                           |                        |                                   |
|   |                        | 10  | 15  | mA    | $+85^{\circ}\text{C}$                           |                        |                                   |
|   | PIC18FX620, PIC18FX720 | 11.8  | 20  | mA    | $-40^{\circ}\text{C}$                           | V <sub>DD</sub> = 5.0V |                                   |
|   |                        | 12  | 20  | mA    | $+25^{\circ}\text{C}$                           |                        |                                   |
|   |                        | 12  | 20  | mA    | $+85^{\circ}\text{C}$                           |                        |                                   |
|   | PIC18FX520             | 16  | 20  | mA    | $-40^{\circ}\text{C}$                           | V <sub>DD</sub> = 4.2V | FOSC = 40 MHz,<br>EC oscillator   |
|   |                        | 16  | 20  | mA    | $+25^{\circ}\text{C}$                           |                        |                                   |
|   |                        | 16  | 20  | mA    | $+85^{\circ}\text{C}$                           |                        |                                   |
|   | PIC18FX520             | 19  | 25  | mA    | $-40^{\circ}\text{C}$                           | V <sub>DD</sub> = 5.0V |                                   |
|   |                        | 19  | 25  | mA    | $+25^{\circ}\text{C}$                           |                        |                                   |
|   |                        | 19  | 25  | mA    | $+85^{\circ}\text{C}$                           |                        |                                   |
| D014  | PIC18FX620/X720        | 15  | 55  | μA    | $-40^{\circ}\text{C}$ to $+85^{\circ}\text{C}$  | V <sub>DD</sub> = 2.0V | FOSC = 32 kHz,<br>Timer1 as clock |
|   | PIC18LF8520            | 13  | 18  | μA    | $-40^{\circ}\text{C}$ to $+85^{\circ}\text{C}$  | V <sub>DD</sub> = 2.0V | FOSC = 32 kHz,<br>Timer1 as clock |
|   |                        | 20  | 35  | μA    | $-40^{\circ}\text{C}$ to $+85^{\circ}\text{C}$  | V <sub>DD</sub> = 3.0V |                                   |
|   |                        | 50  | 85  | μA    | $-40^{\circ}\text{C}$ to $+85^{\circ}\text{C}$  | V <sub>DD</sub> = 5.0V |                                   |
|   | PIC18FXX20             | —   | 200 | μA    | $-40^{\circ}\text{C}$ to $+85^{\circ}\text{C}$  | V <sub>DD</sub> = 4.2V | FOSC = 32 kHz,<br>Timer1 as clock |
|   |                        | —   | 250 | μA    | $-40^{\circ}\text{C}$ to $+125^{\circ}\text{C}$ | V <sub>DD</sub> = 4.2V |                                   |

**Legend:** Shading of rows is to assist in readability of the table.

- Note 1:** The power-down current in Sleep mode does not depend on the oscillator type. Power-down current is measured with the part in Sleep mode, with all I/O pins in high-impedance state and tied to V<sub>DD</sub> or V<sub>SS</sub> and all features that add delta current disabled (such as WDT, Timer1 Oscillator, BOR, etc.).
- 2:** The supply current is mainly a function of operating voltage, frequency and mode. Other factors, such as I/O pin loading and switching rate, oscillator type and circuit, internal code execution pattern and temperature, also have an impact on the current consumption.  
The test conditions for all I<sub>DD</sub> measurements in active operation mode are:  
OSC1 = external square wave, from rail-to-rail; all I/O pins tri-stated, pulled to V<sub>DD</sub>;  
MCLR = V<sub>DD</sub>; WDT enabled/disabled as specified.
- 3:** For RC oscillator configurations, current through R<sub>EXT</sub> is not included. The current through the resistor can be estimated by the formula  $I_r = V_{DD}/2R_{EXT}$  (mA) with R<sub>EXT</sub> in kΩ.

# PIC18F6520/8520/6620/8620/6720/8720

## 26.2 DC Characteristics: Power-Down and Supply Current

PIC18F6520/8520/6620/8620/6720/8720 (Industrial, Extended)

PIC18LF6520/8520/6620/8620/6720/8720 (Industrial) (Continued)

| PIC18LF6520/8520/6620/8620/6720/8720 (Industrial)          |                                       | Standard Operating Conditions (unless otherwise stated)   |     |               |   |   |            |
|--|---------------------------------------|---|-----|---------------|---|---|------------|
|  |                                       | Operating temperature $-40^{\circ}\text{C} \leq T_A \leq +85^{\circ}\text{C}$ for industrial  |     |               |   |   |            |
| PIC18F6520/8520/6620/8620/6720/8720 (Industrial, Extended) |                                       | Standard Operating Conditions (unless otherwise stated)   |     |               |   |   |            |
|  |                                       | Operating temperature $-40^{\circ}\text{C} \leq T_A \leq +85^{\circ}\text{C}$ for industrial<br>$-40^{\circ}\text{C} \leq T_A \leq +125^{\circ}\text{C}$ for extended |     |               |   |   |            |
| Param No.  | Device                                | Typ   | Max | Units         | Conditions                                      |   |            |
| D022<br>( $\Delta I_{WDT}$ )                               | Watchdog Timer                        | Module Differential Currents ( $\Delta I_{WDT}$ , $\Delta I_{BOR}$ , $\Delta I_{LVD}$ , $\Delta I_{OSCB}$ , $\Delta I_{AD}$ )   |     |               |   |   |            |
|  |                                       | <1  | 2.0 | $\mu\text{A}$ | $-40^{\circ}\text{C}$                           | VDD = 2.0V                                      |            |
|  |                                       | <1  | 1.5 | $\mu\text{A}$ | $+25^{\circ}\text{C}$                           |   |            |
|  |                                       | <1  | 3   | $\mu\text{A}$ | $+85^{\circ}\text{C}$                           |   |            |
|  |                                       |   | 3   | 10            | $\mu\text{A}$                                   | $-40^{\circ}\text{C}$                           | VDD = 3.0V |
|  |                                       |   | 2.5 | 6             | $\mu\text{A}$                                   | $+25^{\circ}\text{C}$                           |            |
|  |                                       |   | 3   | 15            | $\mu\text{A}$                                   | $+85^{\circ}\text{C}$                           |            |
|  |                                       |   | 15  | 25            | $\mu\text{A}$                                   | $-40^{\circ}\text{C}$                           | VDD = 5.0V |
|  |                                       |   | 12  | 20            | $\mu\text{A}$                                   | $+25^{\circ}\text{C}$                           |            |
|  |                                       |   | 12  | 40            | $\mu\text{A}$                                   | $+85^{\circ}\text{C}$                           |            |
| D022A<br>( $\Delta I_{BOR}$ )                              | Brown-out Reset                       | 35  | 50  | $\mu\text{A}$ | $-40^{\circ}\text{C}$ to $+85^{\circ}\text{C}$  | VDD = 3.0V                                      |            |
|  |                                       | 45  | 65  | $\mu\text{A}$ | $-40^{\circ}\text{C}$ to $+85^{\circ}\text{C}$  | VDD = 5.0V                                      |            |
| D022B<br>( $\Delta I_{LVD}$ )                              | Low-Voltage Detect                    | 33  | 45  | $\mu\text{A}$ | $-40^{\circ}\text{C}$ to $+85^{\circ}\text{C}$  | VDD = 2.0V                                      |            |
|  |                                       | 35  | 50  | $\mu\text{A}$ | $-40^{\circ}\text{C}$ to $+85^{\circ}\text{C}$  | VDD = 3.0V                                      |            |
|  |                                       | 45  | 65  | $\mu\text{A}$ | $-40^{\circ}\text{C}$ to $+85^{\circ}\text{C}$  | VDD = 5.0V                                      |            |
| D025<br>( $\Delta I_{OSCB}$ )                              | Timer1 Oscillator<br>PIC18LF8720/8620 | 5.2   | 30  | $\mu\text{A}$ | $+25^{\circ}\text{C}$                           | VDD = 2.0V                                      |            |
|  |                                       | 5.2   | 40  | $\mu\text{A}$ | $-40^{\circ}\text{C}$ to $+85^{\circ}\text{C}$  | VDD = 2.0V                                      |            |
|  |                                       | 6.5   | 50  | $\mu\text{A}$ | $-40^{\circ}\text{C}$ to $+125^{\circ}\text{C}$ | VDD = 4.2V                                      |            |
|  |                                       | PIC18F8520/8620/8720  | 6.5 | 40            | $\mu\text{A}$                                   | $+25^{\circ}\text{C}$                           | VDD = 4.2V |
|  |                                       |   | 6.5 | 50            | $\mu\text{A}$                                   | $-40^{\circ}\text{C}$ to $+85^{\circ}\text{C}$  |            |
|  |                                       |   | 6.5 | 65            | $\mu\text{A}$                                   | $-40^{\circ}\text{C}$ to $+125^{\circ}\text{C}$ |            |
|  |                                       | PIC18LF8520   | 1.8 | 2.2           | $\mu\text{A}$                                   | $+25^{\circ}\text{C}$                           | VDD = 2.0V |
|  |                                       |   | 2.9 | 3.8           | $\mu\text{A}$                                   | $-40^{\circ}\text{C}$ to $+85^{\circ}\text{C}$  |            |
|  |                                       |   | 3.4 | 7.0           | $\mu\text{A}$                                   | $-40^{\circ}\text{C}$ to $+125^{\circ}\text{C}$ |            |
| D026<br>( $\Delta I_{AD}$ )                                | A/D Converter                         | <1  | 2   | $\mu\text{A}$ | $+25^{\circ}\text{C}$                           | VDD = 2.0V                                      |            |
|  |                                       | <1  | 2   | $\mu\text{A}$ | $+25^{\circ}\text{C}$                           | VDD = 3.0V                                      |            |
|  |                                       | <1  | 2   | $\mu\text{A}$ | $+25^{\circ}\text{C}$                           | VDD = 5.0V                                      |            |

**Legend:** Shading of rows is to assist in readability of the table.

- Note 1:** The power-down current in Sleep mode does not depend on the oscillator type. Power-down current is measured with the part in Sleep mode, with all I/O pins in high-impedance state and tied to VDD or VSS and all features that add delta current disabled (such as WDT, Timer1 Oscillator, BOR, etc.).
- 2:** The supply current is mainly a function of operating voltage, frequency and mode. Other factors, such as I/O pin loading and switching rate, oscillator type and circuit, internal code execution pattern and temperature, also have an impact on the current consumption.  
The test conditions for all IDD measurements in active operation mode are:  
OSC1 = external square wave, from rail-to-rail; all I/O pins tri-stated, pulled to VDD;  
MCLR = VDD; WDT enabled/disabled as specified.
- 3:** For RC oscillator configurations, current through REXT is not included. The current through the resistor can be estimated by the formula  $I_r = V_{DD}/2R_{EXT}$  (mA) with REXT in k $\Omega$ .



# PIC18F6520/8520/6620/8620/6720/8720

## 26.3 DC Characteristics: PIC18F6520/8520/6620/8620/6720/8720 (Industrial, Extended) PIC18LF6520/8520/6620/8620/6720/8720 (Industrial)

| DC CHARACTERISTICS                             |                                      |  | Standard Operating Conditions (unless otherwise stated)<br>Operating temperature -40°C ≤ TA ≤ +85°C for industrial<br>-40°C ≤ TA ≤ +125°C for extended |   |                                 |   |
|--|--------------------------------------|--|--|---|---------------------------------|---|
| Param No.                                      | Sym                                  | Characteristic   | Min  | Max   | Units                           | Conditions  |
| D030<br>D030A<br>D031<br>D032<br>D032A<br>D033 | V <sub>IL</sub>                      | <b>Input Low Voltage</b><br>I/O ports:<br>with TTL buffer<br>with Schmitt Trigger buffer<br>RC3 and RC4<br>$\overline{\text{MCLR}}$<br>OSC1 (in XT, HS and LP modes)<br>and T1OSI<br>OSC1 (in RC and EC mode) <sup>(1)</sup> | V <sub>SS</sub><br>—<br>V <sub>SS</sub><br>V <sub>SS</sub><br>V <sub>SS</sub><br>V <sub>SS</sub>   | 0.15 V <sub>DD</sub><br>0.8<br>0.2 V <sub>DD</sub><br>0.3 V <sub>DD</sub><br>0.2 V <sub>DD</sub><br>0.2 V <sub>DD</sub>           | V<br>V<br>V<br>V<br>V<br>V      | V <sub>DD</sub> < 4.5V<br>4.5V ≤ V <sub>DD</sub> ≤ 5.5V   |
| D040<br>D040A<br>D041<br>D042<br>D042A<br>D043 | V <sub>IH</sub>                      | <b>Input High Voltage</b><br>I/O ports:<br>with TTL buffer<br>with Schmitt Trigger buffer<br>RC3 and RC4<br>$\overline{\text{MCLR}}$ , OSC1 (EC mode)<br>OSC1 and T1OSI<br>OSC1 (RC mode) <sup>(1)</sup>                     | 0.25 V <sub>DD</sub> + 0.8V<br>2.0<br>0.8 V <sub>DD</sub><br>0.7 V <sub>DD</sub><br>0.8 V <sub>DD</sub><br>1.6<br>0.9 V <sub>DD</sub>                  | V <sub>DD</sub><br>V <sub>DD</sub><br>V <sub>DD</sub><br>V <sub>DD</sub><br>V <sub>DD</sub><br>V <sub>DD</sub><br>V <sub>DD</sub> | V<br>V<br>V<br>V<br>V<br>V<br>V | V <sub>DD</sub> < 4.5V<br>4.5V ≤ V <sub>DD</sub> ≤ 5.5V<br>LP, XT, HS, HSPLL<br>modes <sup>(1)</sup>  |
| D060<br>D061<br>D063                           | I <sub>IL</sub>                      | <b>Input Leakage Current<sup>(2,3)</sup></b><br>I/O ports<br>$\overline{\text{MCLR}}$<br>OSC1  | —<br>—<br>—  | ±1<br>±5<br>±5  | μA<br>μA<br>μA                  | V <sub>SS</sub> ≤ V <sub>PIN</sub> ≤ V <sub>DD</sub> ,<br>Pin at high-impedance<br>V <sub>SS</sub> ≤ V <sub>PIN</sub> ≤ V <sub>DD</sub><br>V <sub>SS</sub> ≤ V <sub>PIN</sub> ≤ V <sub>DD</sub> |
| D070   | I <sub>PU</sub><br>I <sub>PURB</sub> | <b>Weak Pull-up Current</b><br>PORTB weak pull-up current  | 50   | 400   | μA                              | V <sub>DD</sub> = 5V, V <sub>PIN</sub> = V <sub>SS</sub>  |

**Note 1:** In RC oscillator configuration, the OSC1/CLKI pin is a Schmitt Trigger input. It is not recommended that the PIC device be driven with an external clock while in RC mode.

**2:** The leakage current on the  $\overline{\text{MCLR}}$  pin is strongly dependent on the applied voltage level. The specified levels represent normal operating conditions. Higher leakage current may be measured at different input voltages.

**3:** Negative current is defined as current sourced by the pin.

**4:** Parameter is characterized but not tested.

# PIC18F6520/8520/6620/8620/6720/8720

## 26.3 DC Characteristics: PIC18F6520/8520/6620/8620/6720/8720 (Industrial, Extended) PIC18LF6520/8520/6620/8620/6720/8720 (Industrial) (Continued)

| DC CHARACTERISTICS  |       |   | Standard Operating Conditions (unless otherwise stated)<br>Operating temperature $-40^{\circ}\text{C} \leq T_A \leq +85^{\circ}\text{C}$ for industrial<br>$-40^{\circ}\text{C} \leq T_A \leq +125^{\circ}\text{C}$ for extended |     |       |   |
|---------------------|-------|---|--|-----|-------|---|
| Param No.           | Sym   | Characteristic  | Min  | Max | Units | Conditions  |
| D080                | VOL   | <b>Output Low Voltage</b><br>I/O ports                | —  | 0.6 | V     | $I_{OL} = 8.5\text{ mA}$ , $V_{DD} = 4.5\text{V}$ ,<br>$-40^{\circ}\text{C}$ to $+85^{\circ}\text{C}$   |
| D080A               |       |   | —  | 0.6 | V     | $I_{OL} = 7.0\text{ mA}$ , $V_{DD} = 4.5\text{V}$ ,<br>$-40^{\circ}\text{C}$ to $+125^{\circ}\text{C}$  |
| D083                |       | OSC2/CLKO<br>(RC mode)                                | —  | 0.6 | V     | $I_{OL} = 1.6\text{ mA}$ , $V_{DD} = 4.5\text{V}$ ,<br>$-40^{\circ}\text{C}$ to $+85^{\circ}\text{C}$   |
| D083A               |       |   | —  | 0.6 | V     | $I_{OL} = 1.2\text{ mA}$ , $V_{DD} = 4.5\text{V}$ ,<br>$-40^{\circ}\text{C}$ to $+125^{\circ}\text{C}$  |
| D090                | VOH   | <b>Output High Voltage<sup>(3)</sup></b><br>I/O ports | $V_{DD} - 0.7$   | —   | V     | $I_{OH} = -3.0\text{ mA}$ , $V_{DD} = 4.5\text{V}$ ,<br>$-40^{\circ}\text{C}$ to $+85^{\circ}\text{C}$  |
| D090A               |       |   | $V_{DD} - 0.7$   | —   | V     | $I_{OH} = -2.5\text{ mA}$ , $V_{DD} = 4.5\text{V}$ ,<br>$-40^{\circ}\text{C}$ to $+125^{\circ}\text{C}$ |
| D092                |       | OSC2/CLKO<br>(RC mode)                                | $V_{DD} - 0.7$   | —   | V     | $I_{OH} = -1.3\text{ mA}$ , $V_{DD} = 4.5\text{V}$ ,<br>$-40^{\circ}\text{C}$ to $+85^{\circ}\text{C}$  |
| D092A               |       |   | $V_{DD} - 0.7$   | —   | V     | $I_{OH} = -1.0\text{ mA}$ , $V_{DD} = 4.5\text{V}$ ,<br>$-40^{\circ}\text{C}$ to $+125^{\circ}\text{C}$ |
| D150                | VOD   | <b>Open-Drain High Voltage</b>                        | —  | 8.5 | V     | RA4 pin   |
|                     |       | <b>Capacitive Loading Specs<br/>on Output Pins</b>    |  |     |       |   |
| D100 <sup>(4)</sup> | Cosc2 | OSC2 pin  | —  | 15  | pF    | In XT, HS and LP modes<br>when external clock is used<br>to drive OSC1                                  |
| D101                | Cio   | All I/O pins and OSC2<br>(in RC mode)                 | —  | 50  | pF    | To meet the AC Timing<br>Specifications   |
| D102                | CB    | SCL, SDA  | —  | 400 | pF    | In I <sup>2</sup> C mode  |

**Note 1:** In RC oscillator configuration, the OSC1/CLKI pin is a Schmitt Trigger input. It is not recommended that the PIC device be driven with an external clock while in RC mode.

**2:** The leakage current on the  $\overline{\text{MCLR}}$  pin is strongly dependent on the applied voltage level. The specified levels represent normal operating conditions. Higher leakage current may be measured at different input voltages.

**3:** Negative current is defined as current sourced by the pin.

**4:** Parameter is characterized but not tested.

# PIC18F6520/8520/6620/8620/6720/8720

**TABLE 26-1: COMPARATOR SPECIFICATIONS**

| Operating Conditions: $3.0V < V_{DD} < 5.5V$ , $-40^{\circ}C < T_A < +125^{\circ}C$ (unless otherwise stated). |                    |  |     |       |                |          |                           |
|--|--------------------|--|-----|-------|----------------|----------|---------------------------|
| Param No.  | Sym                | Characteristics                        | Min | Typ   | Max            | Units    | Comments                  |
| D300   | V <sub>IOFF</sub>  | Input Offset Voltage                   | —   | ± 5.0 | ± 10           | mV       |                           |
| D301   | V <sub>ICM</sub>   | Input Common Mode Voltage              | 0   | —     | $V_{DD} - 1.5$ | V        |                           |
| D302   | CMRR               | Common Mode Rejection Ratio            | 55  | —     | —              | dB       |                           |
| 300<br>300A  | T <sub>RESP</sub>  | Response Time <sup>(1)</sup>           | —   | 150   | 400<br>600     | ns<br>ns | PIC18FXX20<br>PIC18LFXX20 |
| 301  | T <sub>MC2OV</sub> | Comparator Mode Change to Output Valid | —   | —     | 10             | μs       |                           |

**Note 1:** Response time measured with one comparator input at  $(V_{DD} - 1.5)/2$ , while the other input transitions from V<sub>SS</sub> to V<sub>DD</sub>.

**TABLE 26-2: VOLTAGE REFERENCE SPECIFICATIONS**

| Operating Conditions: $3.0V < V_{DD} < 5.5V$ , $-40^{\circ}C < T_A < +125^{\circ}C$ (unless otherwise stated). |                  |                              |             |        |             |            |   |
|--|------------------|------------------------------|-------------|--------|-------------|------------|---|
| Param No.  | Sym              | Characteristics              | Min         | Typ    | Max         | Units      | Comments                                    |
| D310   | V <sub>RES</sub> | Resolution                   | $V_{DD}/24$ | —      | $V_{DD}/32$ | LSb        |   |
| D311   | V <sub>RAA</sub> | Absolute Accuracy            | —<br>—      | —<br>— | 1/4<br>1/2  | LSb<br>LSb | Low Range (VRR = 1)<br>High Range (VRR = 0) |
| D312   | V <sub>RUR</sub> | Unit Resistor Value (R)      | —           | 2k     | —           | Ω          |   |
| 310  | T <sub>SET</sub> | Settling Time <sup>(1)</sup> | —           | —      | 10          | μs         |   |

**Note 1:** Settling time measured while VRR = 1 and VR<3:0> transitions from '0000' to '1111'.

# PIC18F6520/8520/6620/8620/6720/8720

**FIGURE 26-5: LOW-VOLTAGE DETECT CHARACTERISTICS**



**TABLE 26-3: LOW-VOLTAGE DETECT CHARACTERISTICS**

| Standard Operating Conditions (unless otherwise stated)                                      |        |  |            |      |      |       |            |  |
|--|--------|--|------------|------|------|-------|------------|--|
| Operating temperature $-40^{\circ}\text{C} \leq T_A \leq +85^{\circ}\text{C}$ for industrial |        |  |            |      |      |       |            |  |
| $-40^{\circ}\text{C} \leq T_A \leq +125^{\circ}\text{C}$ for extended                        |        |  |            |      |      |       |            |  |
| Param No.  | Symbol | Characteristic                               | Min        | Typ† | Max  | Units | Conditions |  |
| D420   |        | LVD Voltage on VDD<br>Transition high-to-low | LVV = 0001 | 1.96 | 2.06 | 2.16  | V          |  |
|  |        |  | LVV = 0010 | 2.16 | 2.27 | 2.38  | V          |  |
|  |        |  | LVV = 0011 | 2.35 | 2.47 | 2.59  | V          |  |
|  |        |  | LVV = 0100 | 2.45 | 2.58 | 2.71  | V          |  |
|  |        |  | LVV = 0101 | 2.64 | 2.78 | 2.92  | V          |  |
|  |        |  | LVV = 0110 | 2.75 | 2.89 | 3.03  | V          |  |
|  |        |  | LVV = 0111 | 2.95 | 3.1  | 3.26  | V          |  |
|  |        |  | LVV = 1000 | 3.24 | 3.41 | 3.58  | V          |  |
|  |        |  | LVV = 1001 | 3.43 | 3.61 | 3.79  | V          |  |
|  |        |  | LVV = 1010 | 3.53 | 3.72 | 3.91  | V          |  |
|  |        |  | LVV = 1011 | 3.72 | 3.92 | 4.12  | V          |  |
|  |        |  | LVV = 1100 | 3.92 | 4.13 | 4.34  | V          |  |
|  |        |  | LVV = 1101 | 4.11 | 4.33 | 4.55  | V          |  |
| LVV = 1110   | 4.41   | 4.64   | 4.87       | V    |      |       |            |  |
| D423   | VBG    | Band Gap Reference Voltage Value             | —          | 1.22 | —    | V     |            |  |

† Production tested at  $T_{\text{AMB}} = 25^{\circ}\text{C}$ . Specifications over temperature limits ensured by characterization.

# PIC18F6520/8520/6620/8620/6720/8720

**TABLE 26-4: MEMORY PROGRAMMING REQUIREMENTS**

| DC Characteristics   |       |  | Standard Operating Conditions (unless otherwise stated)<br>Operating temperature $-40^{\circ}\text{C} \leq T_A \leq +85^{\circ}\text{C}$ for industrial<br>$-40^{\circ}\text{C} \leq T_A \leq +125^{\circ}\text{C}$ for extended |      |       |               |   |
|--|-------|--|--|------|-------|---------------|---|
| Param No.  | Sym   | Characteristic                                       | Min  | Typ† | Max   | Units         | Conditions  |
| <b>Internal Program Memory Programming Specifications (Note 1)</b> |       |  |  |      |       |               |   |
| D110   | VPP   | Voltage on $\overline{\text{MCLR}}/\text{VPP}$ pin   | 9.00   | —    | 13.25 | V             | <b>(Note 2)</b>   |
| D112   | IPP   | Current into $\overline{\text{MCLR}}/\text{VPP}$ pin | —  | —    | 5     | $\mu\text{A}$ |   |
| D113   | IDDP  | Supply Current during Programming                    | —  | —    | 10    | mA            |   |
| <b>Data EEPROM Memory</b>  |       |  |  |      |       |               |   |
| D120   | ED    | Cell Endurance                                       | 100K   | 1M   | —     | E/W           | -40°C to +85°C  |
| D120A  | ED    | Cell Endurance                                       | 10K  | 100K | —     | E/W           | +85°C to +125°C   |
| D121   | VDRW  | VDD for Read/Write                                   | V <sub>MIN</sub>   | —    | 5.5   | V             | Using EECON to read/write<br>V <sub>MIN</sub> = Minimum operating voltage |
| D122   | TDEW  | Erase/Write Cycle Time                               | —  | 4    | —     | ms            |   |
| D123   | TRETD | Characteristic Retention                             | 40   | —    | —     | Year          | -40°C to +85°C <b>(Note 3)</b>  |
| D123A  | TRETD | Characteristic Retention                             | 100  | —    | —     | Year          | 25°C <b>(Note 3)</b>  |
| <b>Program Flash Memory</b>  |       |  |  |      |       |               |   |
| D130   | EP    | Cell Endurance                                       | 10K  | 100K | —     | E/W           | -40°C to +85°C  |
| D130A  | EP    | Cell Endurance                                       | 1000   | 10K  | —     | E/W           | +85°C to +125°C   |
| D131   | VPR   | VDD for Read   | V <sub>MIN</sub>   | —    | 5.5   | V             | V <sub>MIN</sub> = Minimum operating voltage                              |
| D132   | VIE   | VDD for Block Erase                                  | 4.5  | —    | 5.5   | V             | Using ICSP port   |
| D132A  | VIW   | VDD for Externally Timed Erase or Write              | 4.5  | —    | 5.5   | V             | Using ICSP port   |
| D132B  | VPEW  | VDD for Self-Timed Write                             | V <sub>MIN</sub>   | —    | 5.5   | V             | V <sub>MIN</sub> = Minimum operating voltage                              |
| D133   | TIE   | ICSP Block Erase Cycle Time                          | —  | 5    | —     | ms            | V <sub>DD</sub> > 4.5V  |
| D133A  | TIW   | ICSP Erase or Write Cycle Time (externally timed)    | 1  | —    | —     | ms            | V <sub>DD</sub> > 4.5V  |
| D133A  | TIW   | Self-Timed Write Cycle Time                          | —  | 2.5  | —     | ms            |   |
| D134   | TRETD | Characteristic Retention                             | 40   | —    | —     | Year          | -40°C to +85°C <b>(Note 3)</b>  |
| D134A  | TRETD | Characteristic Retention                             | 100  | —    | —     | Year          | 25°C <b>(Note 3)</b>  |

† Data in “Typ” column is at 5.0V, 25°C unless otherwise stated. These parameters are for design guidance only and are not tested.

**Note 1:** These specifications are for programming the on-chip program memory through the use of table write instructions.

**2:** The pin may be kept in this range at times other than programming, but it is not recommended.

**3:** Retention time is valid, provided no other specifications are violated.

# PIC18F6520/8520/6620/8620/6720/8720

## 26.4 AC (Timing) Characteristics

### 26.4.1 TIMING PARAMETER SYMBOLOGY

The timing parameter symbols have been created using one of the following formats:

1. TppS2ppS
2. TppS
3. TCC:ST (I<sup>2</sup>C specifications only)
4. Ts (I<sup>2</sup>C specifications only)

|                                  |                      |
|----------------------------------|----------------------|
| <p>T</p> <p>F      Frequency</p> | <p>T</p> <p>Time</p> |
|----------------------------------|----------------------|

Lowercase letters (pp) and their meanings:

|  |   |
|--|---|
| <p>pp</p> <p>cc      CCP1</p> <p>ck      CLKO</p> <p>cs      <math>\overline{CS}</math></p> <p>di      SDI</p> <p>do      SDO</p> <p>dt      Data in</p> <p>io      I/O port</p> <p>mc      <math>\overline{MCLR}</math></p> | <p>osc      OSC1</p> <p>rd      <math>\overline{RD}</math></p> <p>rw      <math>\overline{RD}</math> or <math>\overline{WR}</math></p> <p>sc      SCK</p> <p>ss      <math>\overline{SS}</math></p> <p>t0      T0CKI</p> <p>t1      T1CKI</p> <p>wr      <math>\overline{WR}</math></p> |
|--|---|

Uppercase letters and their meanings:

|  |  |
|--|--|
| <p>S</p> <p>F      Fall</p> <p>H      High</p> <p>I      Invalid (High-Impedance)</p> <p>L      Low</p> <p>I<sup>2</sup>C only</p> <p>AA      output access</p> <p>BUF      Bus free</p> | <p>P      Period</p> <p>R      Rise</p> <p>V      Valid</p> <p>Z      High-Impedance</p><br><p>High    High</p> <p>Low     Low</p> |
|--|--|

TCC:ST (I<sup>2</sup>C specifications only)

|   |  |
|---|--|
| <p>CC</p> <p>HD      Hold</p> <p>ST</p> <p>DAT      DATA input hold</p> <p>STA      Start condition</p> | <p>SU      Setup</p><br><p>STO      Stop condition</p> |
|---|--|

# PIC18F6520/8520/6620/8620/6720/8720

## 26.4.2 TIMING CONDITIONS

The temperature and voltages specified in Table 26-5 apply to all timing specifications unless otherwise noted. Figure 26-6 specifies the load conditions for the timing specifications.

**TABLE 26-5: TEMPERATURE AND VOLTAGE SPECIFICATIONS – AC**

|                           |  |   |
|---------------------------|--|---|
| <b>AC CHARACTERISTICS</b> | <b>Standard Operating Conditions (unless otherwise stated)</b> |   |
|                           | Operating temperature  | -40°C ≤ TA ≤ +85°C for industrial<br>-40°C ≤ TA ≤ +125°C for extended |
|                           | Operating voltage VDD range                                    | as described in DC spec <b>Section 26.1</b> and <b>Section 26.3</b> . |
|                           | LC parts operate   | for industrial temperatures only.                                     |

**FIGURE 26-6: LOAD CONDITIONS FOR DEVICE TIMING SPECIFICATIONS**



# PIC18F6520/8520/6620/8620/6720/8720

## 26.4.3 TIMING DIAGRAMS AND SPECIFICATIONS

**FIGURE 26-7: EXTERNAL CLOCK TIMING (ALL MODES EXCEPT PLL)**



**TABLE 26-6: EXTERNAL CLOCK TIMING REQUIREMENTS**

| Param No. | Symbol     | Characteristic                             | Min | Max    | Units | Conditions  |
|-----------|------------|--|-----|--------|-------|---|
| 1A        | Fosc       | External CLKI Frequency <sup>(1)</sup>     | DC  | 25     | MHz   | EC, ECIO, PIC18FX620/X720 (-40°C to +85°C)                            |
|           |            |  | DC  | 40     | MHz   | EC, ECIO, PIC18FX520 (-40°C to +85°C)                                 |
|           |            |  | DC  | 25     | MHz   | EC, ECIO, PIC18FX520 using external memory interface (-40°C to +85°C) |
|           |            | Oscillator Frequency <sup>(1)</sup>        | DC  | 4      | MHz   | RC oscillator   |
|           |            |  | 0.1 | 4      | MHz   | XT oscillator   |
|           |            |  | 4   | 25     | MHz   | HS oscillator   |
|           |            |  | 4   | 10     | MHz   | HS + PLL oscillator, PIC18FX520                                       |
|           |            |  | 6   | 6.25   | MHz   | HS + PLL oscillator, PIC18FX520 using external memory interface       |
|           |            |  | 4   | 6.25   | MHz   | HS + PLL oscillator, PIC18FX620/X720                                  |
| 1         | Tosc       | External CLKI Period <sup>(1)</sup>        | 25  | —      | ns    | EC, ECIO, PIC18FX620/X720 (-40°C to +85°C)                            |
|           |            |  | 160 | —      | ns    | EC, ECIO, PIC18FX520 (-40°C to +85°C)                                 |
|           |            | Oscillator Period <sup>(1)</sup>           | 250 | —      | ns    | RC oscillator   |
|           |            |  | 250 | 10,000 | ns    | XT oscillator   |
|           |            |  | 25  | 250    | ns    | HS oscillator   |
|           |            |  | 100 | 250    | ns    | HS + PLL oscillator, PIC18FX520                                       |
|           |            |  | 100 | 160    | ns    | HS + PLL oscillator, PIC18FX620/X720                                  |
|           |            |  | 25  | —      | μs    | LP oscillator   |
| 2         | Tcy        | Instruction Cycle Time <sup>(1)</sup>      | 100 | —      | ns    | Tcy = 4/Fosc  |
| 3         | TosL, TosH | External Clock in (OSC1) High or Low Time  | 30  | —      | ns    | XT oscillator   |
|           |            |  | 2.5 | —      | μs    | LP oscillator   |
|           |            |  | 10  | —      | ns    | HS oscillator   |
| 4         | TosR, TosF | External Clock in (OSC1) Rise or Fall Time | —   | 20     | ns    | XT oscillator   |
|           |            |  | —   | 50     | ns    | LP oscillator   |
|           |            |  | —   | 7.5    | ns    | HS oscillator   |

**Note 1:** Instruction cycle period (Tcy) equals four times the input oscillator time base period for all configurations except PLL. All specified values are based on characterization data for that particular oscillator type under standard operating conditions with the device executing code. Exceeding these specified limits may result in an unstable oscillator operation and/or higher than expected current consumption. All devices are tested to operate at “min.” values with an external clock applied to the OSC1/CLKI pin. When an external clock input is used, the “max.” cycle time limit is “DC” (no clock) for all devices.



# PIC18F6520/8520/6620/8620/6720/8720

**TABLE 26-7: PLL CLOCK TIMING SPECIFICATIONS (V<sub>DD</sub> = 4.2V TO 5.5V)**

| Param No. | Sym             | Characteristic                | Min | Typ† | Max | Units | Conditions |
|-----------|-----------------|-------------------------------|-----|------|-----|-------|------------|
| —         | FOSC            | Oscillator Frequency Range    | 4   | —    | 10  | MHz   | HS mode    |
| —         | Fsys            | On-Chip VCO System Frequency  | 16  | —    | 40  | MHz   | HS mode    |
| —         | t <sub>rc</sub> | PLL Start-up Time (Lock Time) | —   | —    | 2   | ms    |            |
| —         | ΔCLK            | CLKO Stability (Jitter)       | -2  | —    | +2  | %     |            |

† Data in "Typ" column is at 5V, 25°C, unless otherwise stated. These parameters are for design guidance only and are not tested.

**FIGURE 26-8: CLKO AND I/O TIMING**



# PIC18F6520/8520/6620/8620/6720/8720

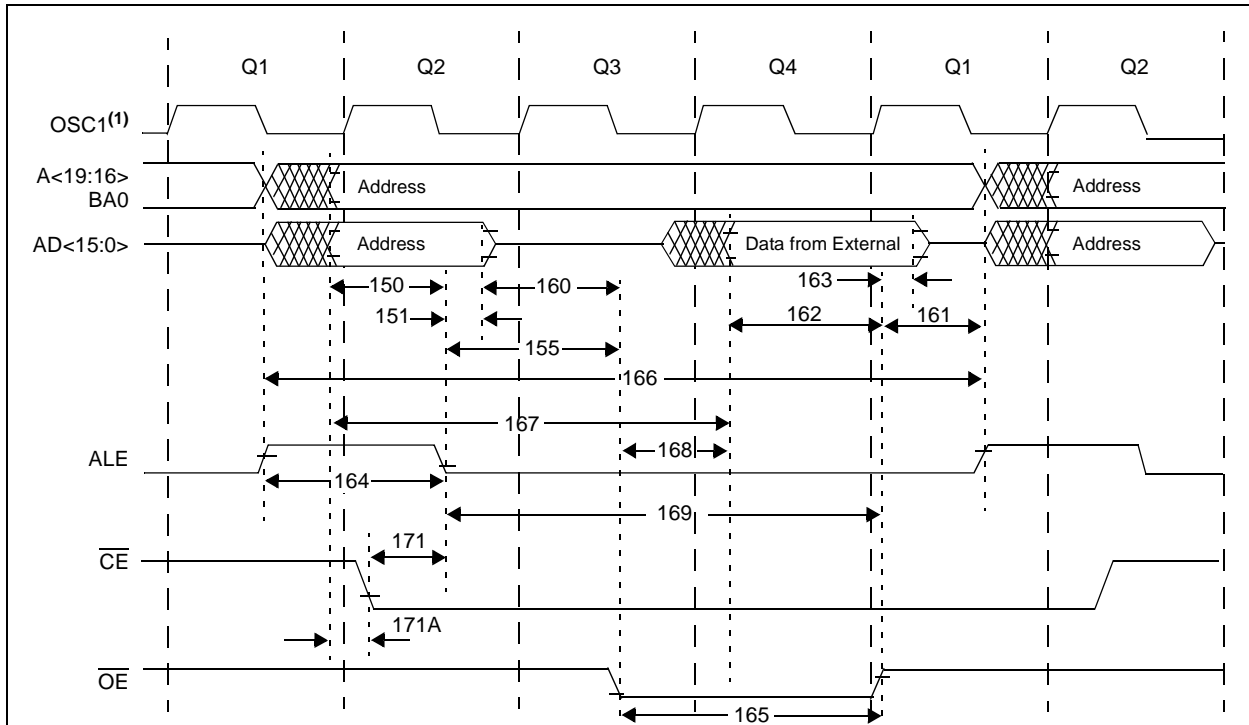
**TABLE 26-8: CLKO AND I/O TIMING REQUIREMENTS**

| Param No. | Symbol   | Characteristic   | Min                       | Typ | Max                      | Units | Conditions |                        |
|-----------|----------|--|---------------------------|-----|--------------------------|-------|------------|------------------------|
| 10        | TosH2ckL | OSC1 ↑ to CLKO ↓   | —                         | 75  | 200                      | ns    | (Note 1)   |                        |
| 11        | TosH2ckH | OSC1 ↑ to CLKO ↑   | —                         | 75  | 200                      | ns    | (Note 1)   |                        |
| 12        | TckR     | CLKO Rise Time   | —                         | 35  | 100                      | ns    | (Note 1)   |                        |
| 13        | TckF     | CLKO Fall Time   | —                         | 35  | 100                      | ns    | (Note 1)   |                        |
| 14        | TckL2ioV | CLKO ↓ to Port Out Valid                                   | —                         | —   | 0.5 T <sub>CY</sub> + 20 | ns    | (Note 1)   |                        |
| 15        | TioV2ckH | Port In Valid before CLKO ↑                                | 0.25 T <sub>CY</sub> + 25 | —   | —                        | ns    | (Note 1)   |                        |
| 16        | TckH2ioI | Port In Hold after CLKO ↑                                  | 0                         | —   | —                        | ns    | (Note 1)   |                        |
| 17        | TosH2ioV | OSC1 ↑ (Q1 cycle) to Port Out Valid                        | —                         | 50  | 150                      | ns    |            |                        |
| 18        | TosH2ioI | OSC1 ↑ (Q2 cycle) to Port Input Invalid (I/O in hold time) | PIC18FXX20                | 100 | —                        | —     | ns         |                        |
| 18A       |          |  | PIC18LFXX20               | 200 | —                        | —     | ns         | V <sub>DD</sub> = 2.0V |
| 19        | TioV2osH | Port Input Valid to OSC1 ↑ (I/O in setup time)             | 0                         | —   | —                        | ns    |            |                        |
| 20        | TioR     | Port Output Rise Time                                      | PIC18FXX20                | —   | 10                       | 25    | ns         |                        |
| 20A       |          |  | PIC18LFXX20               | —   | —                        | 60    | ns         | V <sub>DD</sub> = 2.0V |
| 21        | TioF     | Port Output Fall Time                                      | PIC18FXX20                | —   | 10                       | 25    | ns         |                        |
| 21A       |          |  | PIC18LFXX20               | —   | —                        | 60    | ns         | V <sub>DD</sub> = 2.0V |
| 22†       | TINP     | INT pin High or Low Time                                   | T <sub>CY</sub>           | —   | —                        | ns    |            |                        |
| 23†       | TRBP     | RB7:RB4 Change INT High or Low Time                        | T <sub>CY</sub>           | —   | —                        | ns    |            |                        |
| 24†       | TRCP     | RC7:RC4 Change INT High or Low Time                        | 20                        | —   | —                        | ns    |            |                        |

† These parameters are asynchronous events not related to any internal clock edges.

**Note 1:** Measurements are taken in RC mode, where CLKO output is 4 x T<sub>OSC</sub>.

**FIGURE 26-9: PROGRAM MEMORY READ TIMING DIAGRAM**



Operating Conditions: 2.0V < V<sub>CC</sub> < 5.5V, -40°C < T<sub>A</sub> < +125°C unless otherwise stated.

**Note 1:** Maximum speed of F<sub>OSC</sub> is 25 MHz for external program memory read.

# PIC18F6520/8520/6620/8620/6720/8720

**TABLE 26-9: CLKO AND I/O TIMING REQUIREMENTS**

| Param No. | Symbol   | Characteristics  | Min                 | Typ            | Max                 | Units |
|-----------|----------|--|---------------------|----------------|---------------------|-------|
| 150       | TADV2ALL | Address Out Valid to ALE ↓ (address setup time)                  | $0.25 T_{CY} - 10$  | —              | —                   | ns    |
| 151       | TALL2ADL | ALE ↓ to Address Out Invalid (address hold time)                 | 5                   | —              | —                   | ns    |
| 155       | TALL2OEL | ALE ↓ to $\overline{OE}$ ↓                                       | 10                  | $0.125 T_{CY}$ | —                   | ns    |
| 160       | TADZ2OEL | AD high-Z to $\overline{OE}$ ↓ (bus release to $\overline{OE}$ ) | 0                   | —              | —                   | ns    |
| 161       | TOEH2ADD | $\overline{OE}$ ↑ to AD Driven                                   | $0.125 T_{CY} - 5$  | —              | —                   | ns    |
| 162       | TADV2OEH | LS Data Valid before $\overline{OE}$ ↑ (data setup time)         | 20                  | —              | —                   | ns    |
| 163       | TOEH2ADL | $\overline{OE}$ ↑ to Data In Invalid (data hold time)            | 0                   | —              | —                   | ns    |
| 164       | TALH2ALL | ALE Pulse Width  | —                   | $0.25 T_{CY}$  | —                   | ns    |
| 165       | TOEL2OEH | $\overline{OE}$ Pulse Width                                      | $0.5 T_{CY} - 5$    | $0.5 T_{CY}$   | —                   | ns    |
| 166       | TALH2ALH | ALE ↑ to ALE ↑ (cycle time)                                      | —                   | $T_{CY}$       | —                   | ns    |
| 167       | TACC     | Address Valid to Data Valid                                      | $0.75 T_{CY} - 25$  | —              | —                   | ns    |
| 168       | TOE      | $\overline{OE}$ ↓ to Data Valid                                  | —                   | —              | $0.5 T_{CY} - 25$   | ns    |
| 169       | TALL2OEH | ALE ↓ to $\overline{OE}$ ↑                                       | $0.625 T_{CY} - 10$ | —              | $0.625 T_{CY} + 10$ | ns    |
| 171       | TALH2CSL | Chip Enable Active to ALE ↓                                      | —                   | —              | 10                  | ns    |
| 171A      | TUBL2OEH | AD Valid to Chip Enable Active                                   | $0.25 T_{CY} - 20$  | —              | —                   | ns    |

**FIGURE 26-10: PROGRAM MEMORY WRITE TIMING DIAGRAM**



# PIC18F6520/8520/6620/8620/6720/8720

**TABLE 26-10: PROGRAM MEMORY WRITE TIMING REQUIREMENTS**

| Param No. | Symbol   | Characteristics   | Min                | Typ          | Max | Units |
|-----------|----------|---|--------------------|--------------|-----|-------|
| 150       | TADV2ALL | Address Out Valid to ALE ↓ (address setup time)         | $0.25 T_{CY} - 10$ | —            | —   | ns    |
| 151       | TALL2ADL | ALE ↓ to Address Out Invalid (address hold time)        | 5                  | —            | —   | ns    |
| 153       | TWRH2ADL | WRn ↑ to Data Out Invalid (data hold time)              | 5                  | —            | —   | ns    |
| 154       | TWRL     | WRn Pulse Width   | $0.5 T_{CY} - 5$   | $0.5 T_{CY}$ | —   | ns    |
| 156       | TADV2WRH | Data Valid before WRn ↑ (data setup time)               | $0.5 T_{CY} - 10$  | —            | —   | ns    |
| 157       | TBSV2WRL | Byte Select Valid before WRn ↓ (byte select setup time) | $0.25 T_{CY}$      | —            | —   | ns    |
| 157A      | TWRH2BSI | WRn ↑ to Byte Select Invalid (byte select hold time)    | $0.125 T_{CY} - 5$ | —            | —   | ns    |
| 166       | TALH2ALH | ALE ↑ to ALE ↑ (cycle time)                             | —                  | $T_{CY}$     | —   | ns    |
| 171       | TALH2CSL | Chip Enable Active to ALE ↓                             | —                  | —            | 10  | ns    |
| 171A      | TUBL2OEH | AD Valid to Chip Enable Active                          | $0.25 T_{CY} - 20$ | —            | —   | ns    |

**FIGURE 26-11: RESET, WATCHDOG TIMER, OSCILLATOR START-UP TIMER AND POWER-UP TIMER TIMING**



# PIC18F6520/8520/6620/8620/6720/8720

**FIGURE 26-12: BROWN-OUT RESET TIMING**



**TABLE 26-11: RESET, WATCHDOG TIMER, OSCILLATOR START-UP TIMER, POWER-UP TIMER AND BROWN-OUT RESET REQUIREMENTS**

| Param No. | Symbol | Characteristic   | Min                   | Typ | Max                   | Units         | Conditions                                    |
|-----------|--------|--|-----------------------|-----|-----------------------|---------------|---|
| 30        | TMCL   | $\overline{\text{MCLR}}$ Pulse Width (low)                                   | 2                     | —   | —                     | $\mu\text{s}$ |   |
| 31        | TWDT   | Watchdog Timer Time-out Period (no postscaler)                               | 7                     | 18  | 33                    | ms            |   |
| 32        | TOST   | Oscillation Start-up Timer Period  | 1024 T <sub>osc</sub> | —   | 1024 T <sub>osc</sub> | —             | T <sub>osc</sub> = OSC1 period                |
| 33        | TPWRT  | Power-up Timer Period  | 28                    | 72  | 132                   | ms            |   |
| 34        | TIOZ   | I/O High-Impedance from $\overline{\text{MCLR}}$ Low or Watchdog Timer Reset | —                     | 2   | —                     | $\mu\text{s}$ |   |
| 35        | TBOR   | Brown-out Reset Pulse Width  | 200                   | —   | —                     | $\mu\text{s}$ | V <sub>DD</sub> ≤ BV <sub>DD</sub> (see D005) |
| 36        | TIVRST | Time for Internal Reference Voltage to become stable                         | —                     | 20  | 50                    | $\mu\text{s}$ |   |
| 37        | TLVD   | Low-Voltage Detect Pulse Width   | 200                   | —   | —                     | $\mu\text{s}$ | V <sub>DD</sub> ≤ V <sub>LVD</sub>            |

**FIGURE 26-13: TIMER0 AND TIMER1 EXTERNAL CLOCK TIMINGS**



# PIC18F6520/8520/6620/8620/6720/8720

**TABLE 26-12: TIMER0 AND TIMER1 EXTERNAL CLOCK REQUIREMENTS**

| Param No.   | Symbol                | Characteristic   |                             | Min  | Max         | Units | Conditions                             |    |
|-------------|-----------------------|--|-----------------------------|--|-------------|-------|--|----|
| 40          | T <sub>T0H</sub>      | T0CKI High Pulse Width                                   | No prescaler                | $0.5 T_{CY} + 20$  | —           | ns    |  |    |
|             |                       |  | With prescaler              | 10   | —           | ns    |  |    |
| 41          | T <sub>T0L</sub>      | T0CKI Low Pulse Width                                    | No prescaler                | $0.5 T_{CY} + 20$  | —           | ns    |  |    |
|             |                       |  | With prescaler              | 10   | —           | ns    |  |    |
| 42          | T <sub>T0P</sub>      | T0CKI Period   | No prescaler                | $T_{CY} + 10$  | —           | ns    | N = prescale value (1, 2, 4, ..., 256) |    |
|             |                       |  | With prescaler              | Greater of:<br>$20 \text{ ns or } \frac{T_{CY} + 40}{N}$ | —           | ns    |  |    |
| 45          | T <sub>T1H</sub>      | T13CKI High Time   | Synchronous, no prescaler   | $0.5 T_{CY} + 20$  | —           | ns    |  |    |
|             |                       |  | Synchronous, with prescaler | PIC18FXX20   | 10          | —     |  | ns |
|             |                       |  |                             | PIC18LFXX20  | 25          | —     |  | ns |
|             |                       |  | Asynchronous                | PIC18FXX20   | 30          | —     |  | ns |
| PIC18LFXX20 | 50                    | —  |                             | ns   |             |       |  |    |
| 46          | T <sub>T1L</sub>      | T13CKI Low Time  | Synchronous, no prescaler   | $0.5 T_{CY} + 5$   | —           | ns    |  |    |
|             |                       |  | Synchronous, with prescaler | PIC18FXX20   | 10          | —     |  | ns |
|             |                       |  |                             | PIC18LFXX20  | 25          | —     |  | ns |
|             |                       |  | Asynchronous                | PIC18FXX20   | 30          | —     |  | ns |
| PIC18LFXX20 | TBD                   | TBD  |                             | ns   |             |       |  |    |
| 47          | T <sub>T1P</sub>      | T13CKI Input Period                                      | Synchronous                 | Greater of:<br>$20 \text{ ns or } \frac{T_{CY} + 40}{N}$ | —           | ns    | N = prescale value (1, 2, 4, 8)        |    |
|             |                       |  | Asynchronous                | 60   | —           | ns    |  |    |
|             | FT1                   | T13CKI Oscillator Input Frequency Range                  |                             | DC   | 50          | kHz   |  |    |
| 48          | T <sub>CKE2TMR1</sub> | Delay from External T13CKI Clock Edge to Timer Increment |                             | $2 T_{osc}$  | $7 T_{osc}$ | —     |  |    |

**FIGURE 26-14: CAPTURE/COMPARE/PWM TIMINGS (ALL CCP MODULES)**



# PIC18F6520/8520/6620/8620/6720/8720

**TABLE 26-13: CAPTURE/COMPARE/PWM REQUIREMENTS (ALL CCP MODULES)**

| Param No. | Symbol | Characteristic        |                | Min                       | Max | Units | Conditions                      |    |
|-----------|--------|-----------------------|----------------|---------------------------|-----|-------|---------------------------------|----|
| 50        | TccL   | CCPx Input Low Time   | No prescaler   | $0.5 T_{CY} + 20$         | —   | ns    |                                 |    |
|           |        |                       | With prescaler | PIC18FXX20                | 10  | —     |                                 | ns |
|           |        |                       |                | PIC18LFXX20               | 20  | —     |                                 | ns |
| 51        | TccH   | CCPx Input High Time  | No prescaler   | $0.5 T_{CY} + 20$         | —   | ns    |                                 |    |
|           |        |                       | With prescaler | PIC18FXX20                | 10  | —     |                                 | ns |
|           |        |                       |                | PIC18LFXX20               | 20  | —     |                                 | ns |
| 52        | TccP   | CCPx Input Period     |                | $\frac{3 T_{CY} + 40}{N}$ | —   | ns    | N = prescale value (1, 4 or 16) |    |
| 53        | TccR   | CCPx Output Rise Time | PIC18FXX20     | —                         | 25  | ns    | V <sub>DD</sub> = 2.0V          |    |
|           |        |                       | PIC18LFXX20    | —                         | 45  | ns    |                                 |    |
| 54        | TccF   | CCPx Output Fall Time | PIC18FXX20     | —                         | 25  | ns    | V <sub>DD</sub> = 2.0V          |    |
|           |        |                       | PIC18LFXX20    | —                         | 45  | ns    |                                 |    |

**FIGURE 26-15: PARALLEL SLAVE PORT TIMING (PIC18F8X20)**



# PIC18F6520/8520/6620/8620/6720/8720

**TABLE 26-14: PARALLEL SLAVE PORT REQUIREMENTS (PIC18F8X20)**

| Param No. | Symbol   | Characteristic  | Min         | Max   | Units    | Conditions           |            |
|-----------|----------|---|-------------|-------|----------|----------------------|------------|
| 62        | TDTV2WRH | Data In Valid before $\overline{WR} \uparrow$ or $\overline{CS} \uparrow$ (setup time)              | 20<br>25    | —     | ns<br>ns | Extended Temp. range |            |
| 63        | TWRH2DTI | $\overline{WR} \uparrow$ or $\overline{CS} \uparrow$ to Data-In Invalid (hold time)                 | PIC18FXX20  | 20    | —        | ns                   | VDD = 2.0V |
|           |          |   | PIC18LFXX20 | 35    | —        | ns                   |            |
| 64        | TRDL2DTV | $\overline{RD} \downarrow$ and $\overline{CS} \downarrow$ to Data-Out Valid                         | —           | 80    | ns       | Extended Temp. range |            |
|           |          |   | —           | 90    | ns       |                      |            |
| 65        | TRDH2DTI | $\overline{RD} \uparrow$ or $\overline{CS} \downarrow$ to Data-Out Invalid                          | 10          | 30    | ns       |                      |            |
| 66        | TIBFINH  | Inhibit of the IBF flag bit being cleared from $\overline{WR} \uparrow$ or $\overline{CS} \uparrow$ | —           | 3 Tcy |          |                      |            |

**FIGURE 26-16: EXAMPLE SPI MASTER MODE TIMING (CKE = 0)**





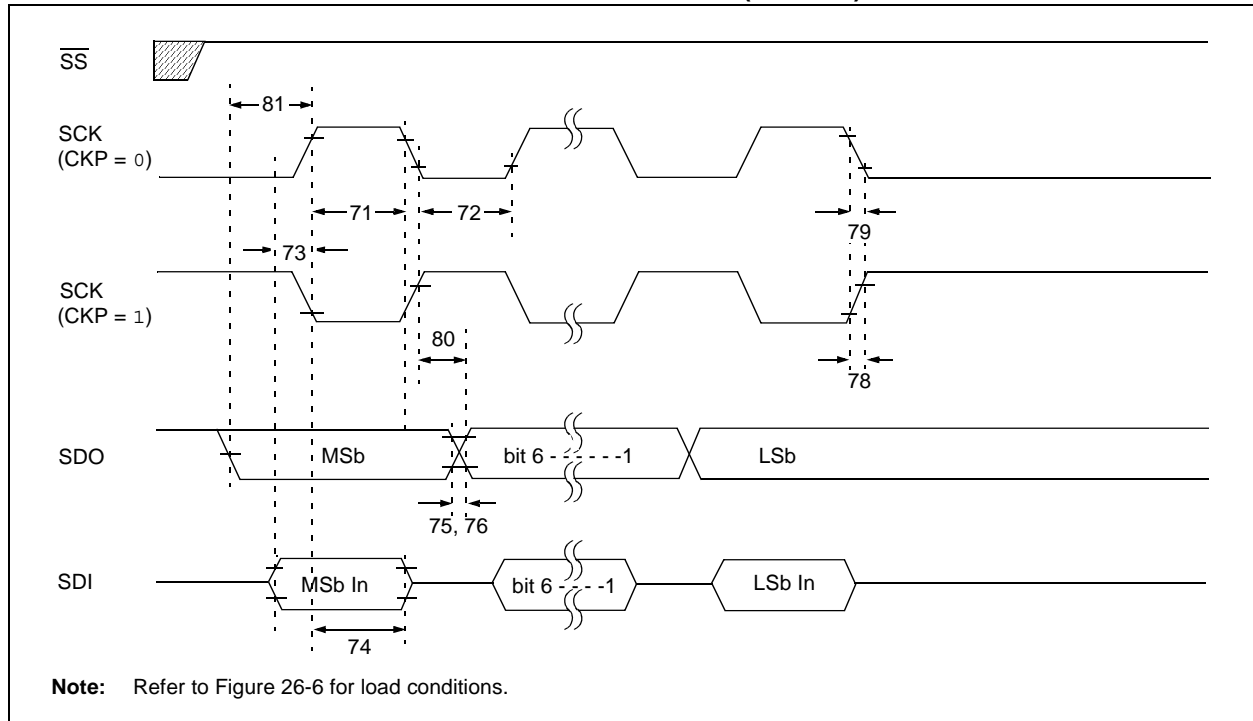
# PIC18F6520/8520/6620/8620/6720/8720

**TABLE 26-15: EXAMPLE SPI MODE REQUIREMENTS (MASTER MODE, CKE = 0)**

| Param No. | Symbol               | Characteristic  | Min                      | Max                       | Units | Conditions |
|-----------|----------------------|---|--------------------------|---------------------------|-------|------------|
| 70        | TssL2sclH, TssL2sclL | $\overline{SS}$ ↓ to SCK ↓ or SCK ↑ Input                 | T <sub>CY</sub>          | —                         | ns    |            |
| 71        | Tsch                 | SCK Input High Time (Slave mode)                          | Continuous               | 1.25 T <sub>CY</sub> + 30 | —     | ns         |
| 71A       |                      |   | Single Byte              | 40                        | —     | ns         |
| 72        | TscL                 | SCK Input Low Time (Slave mode)                           | Continuous               | 1.25 T <sub>CY</sub> + 30 | —     | ns         |
| 72A       |                      |   | Single Byte              | 40                        | —     | ns         |
| 73        | TdIV2sch, TdIV2scl   | Setup Time of SDI Data Input to SCK Edge                  | 100                      | —                         | ns    |            |
| 73A       | TB2B                 | Last Clock Edge of Byte 1 to the 1st Clock Edge of Byte 2 | 1.5 T <sub>CY</sub> + 40 | —                         | ns    | (Note 2)   |
| 74        | Tsch2dIL, TscL2dIL   | Hold Time of SDI Data Input to SCK Edge                   | 100                      | —                         | ns    |            |
| 75        | TdoR                 | SDO Data Output Rise Time                                 | PIC18FXX20               | —                         | 25    | ns         |
|           |                      |   | PIC18LFXX20              | —                         | 45    | ns         |
| 76        | TdoF                 | SDO Data Output Fall Time                                 | —                        | 25                        | ns    |            |
| 78        | TscR                 | SCK Output Rise Time (Master mode)                        | PIC18FXX20               | —                         | 25    | ns         |
|           |                      |   | PIC18LFXX20              | —                         | 45    | ns         |
| 79        | TscF                 | SCK Output Fall Time (Master mode)                        | —                        | 25                        | ns    |            |
| 80        | Tsch2doV, TscL2doV   | SDO Data Output Valid after SCK Edge                      | PIC18FXX20               | —                         | 50    | ns         |
|           |                      |   | PIC18LFXX20              | —                         | 100   | ns         |

- Note 1:** Requires the use of Parameter #73A.  
**Note 2:** Only if Parameter #71A and #72A are used.

**FIGURE 26-17: EXAMPLE SPI MASTER MODE TIMING (CKE = 1)**



# PIC18F6520/8520/6620/8620/6720/8720

**TABLE 26-16: EXAMPLE SPI MODE REQUIREMENTS (MASTER MODE, CKE = 1)**

| Param No. | Symbol             | Characteristic  | Min                      | Max                       | Units | Conditions |                        |
|-----------|--------------------|---|--------------------------|---------------------------|-------|------------|------------------------|
| 71        | Tsch               | SCK Input High Time                                       | Continuous               | 1.25 T <sub>CY</sub> + 30 | ns    |            |                        |
| 71A       |                    | (Slave mode)  | Single Byte              | 40                        | ns    | (Note 1)   |                        |
| 72        | Tscl               | SCK Input Low Time  | Continuous               | 1.25 T <sub>CY</sub> + 30 | ns    |            |                        |
| 72A       |                    | (Slave mode)  | Single Byte              | 40                        | ns    | (Note 1)   |                        |
| 73        | TdIV2sCH, TdIV2sCL | Setup Time of SDI Data Input to SCK Edge                  | 100                      | —                         | ns    |            |                        |
| 73A       | Tb2B               | Last Clock Edge of Byte 1 to the 1st Clock Edge of Byte 2 | 1.5 T <sub>CY</sub> + 40 | —                         | ns    | (Note 2)   |                        |
| 74        | Tsch2dIL, Tscl2dIL | Hold Time of SDI Data Input to SCK Edge                   | 100                      | —                         | ns    |            |                        |
| 75        | TdOR               | SDO Data Output Rise Time                                 | PIC18FXX20               | —                         | 25    | ns         |                        |
|           |                    |   | PIC18LFXX20              | —                         | 45    | ns         | V <sub>DD</sub> = 2.0V |
| 76        | TdOF               | SDO Data Output Fall Time                                 | —                        | 25                        | ns    |            |                        |
| 78        | TsCR               | SCK Output Rise Time (Master mode)                        | PIC18FXX20               | —                         | 25    | ns         |                        |
|           |                    |   | PIC18LFXX20              | —                         | 45    | ns         | V <sub>DD</sub> = 2.0V |
| 79        | TsCF               | SCK Output Fall Time (Master mode)                        | —                        | 25                        | ns    |            |                        |
| 80        | Tsch2dOV, Tscl2dOV | SDO Data Output Valid after SCK Edge                      | PIC18FXX20               | —                         | 50    | ns         |                        |
|           |                    |   | PIC18LFXX20              | —                         | 100   | ns         | V <sub>DD</sub> = 2.0V |
| 81        | TdOV2sCH, TdOV2sCL | SDO Data Output Setup to SCK Edge                         | T <sub>CY</sub>          | —                         | ns    |            |                        |

- Note 1:** Requires the use of Parameter #73A.  
**Note 2:** Only if Parameter #71A and #72A are used.

**FIGURE 26-18: EXAMPLE SPI SLAVE MODE TIMING (CKE = 0)**



# PIC18F6520/8520/6620/8620/6720/8720

**TABLE 26-17: EXAMPLE SPI MODE REQUIREMENTS (SLAVE MODE TIMING, CKE = 0)**

| Param No. | Symbol             | Characteristic  | Min                      | Max                       | Units | Conditions |
|-----------|--------------------|---|--------------------------|---------------------------|-------|------------|
| 70        | TssL2sch, TssL2scl | $\overline{SS}$ ↓ to SCK ↓ or SCK ↑ Input                   | T <sub>CY</sub>          | —                         | ns    |            |
| 71        | Tsch               | SCK Input High Time (Slave mode)                            | Continuous               | 1.25 T <sub>CY</sub> + 30 | —     | ns         |
| 71A       |                    |   | Single Byte              | 40                        | —     | ns         |
| 72        | TscL               | SCK Input Low Time (Slave mode)                             | Continuous               | 1.25 T <sub>CY</sub> + 30 | —     | ns         |
| 72A       |                    |   | Single Byte              | 40                        | —     | ns         |
| 73        | TdIV2sch, TdIV2scl | Setup Time of SDI Data Input to SCK Edge                    | 100                      | —                         | ns    |            |
| 73A       | Tb2B               | Last Clock Edge of Byte 1 to the First Clock Edge of Byte 2 | 1.5 T <sub>CY</sub> + 40 | —                         | ns    | (Note 2)   |
| 74        | Tsch2dIL, TscL2dIL | Hold Time of SDI Data Input to SCK Edge                     | 100                      | —                         | ns    |            |
| 75        | TdoR               | SDO Data Output Rise Time                                   | PIC18FXX20               | —                         | 25    | ns         |
|           |                    |   | PIC18LFXX20              | —                         | 45    | ns         |
| 76        | TdoF               | SDO Data Output Fall Time                                   | —                        | 25                        | ns    |            |
| 77        | TssH2doZ           | $\overline{SS}$ ↑ to SDO Output High-Impedance              | 10                       | 50                        | ns    |            |
| 78        | TscR               | SCK Output Rise Time (Master mode)                          | PIC18FXX20               | —                         | 25    | ns         |
|           |                    |   | PIC18LFXX20              | —                         | 45    | ns         |
| 79        | TscF               | SCK Output Fall Time (Master mode)                          | —                        | 25                        | ns    |            |
| 80        | Tsch2doV, TscL2doV | SDO Data Output Valid after SCK Edge                        | PIC18FXX20               | —                         | 50    | ns         |
|           |                    |   | PIC18LFXX20              | —                         | 100   | ns         |
| 83        | Tsch2ssH, TscL2ssH | $\overline{SS}$ ↑ after SCK Edge                            | 1.5 T <sub>CY</sub> + 40 | —                         | ns    |            |

**Note 1:** Requires the use of Parameter #73A.

**Note 2:** Only if Parameter #71A and #72A are used.

**FIGURE 26-19: EXAMPLE SPI SLAVE MODE TIMING (CKE = 1)**



# PIC18F6520/8520/6620/8620/6720/8720

**TABLE 26-18: EXAMPLE SPI SLAVE MODE REQUIREMENTS (CKE = 1)**

| Param No. | Symbol             | Characteristic  | Min                      | Max                       | Units | Conditions |
|-----------|--------------------|---|--------------------------|---------------------------|-------|------------|
| 70        | TssL2sch, TssL2scl | $\overline{SS}$ ↓ to SCK ↓ or SCK ↑ Input                   | T <sub>CY</sub>          | —                         | ns    |            |
| 71        | Tsch               | SCK Input High Time (Slave mode)                            | Continuous               | 1.25 T <sub>CY</sub> + 30 | —     | ns         |
| 71A       |                    |   | Single Byte              | 40                        | —     | ns         |
| 72        | TscL               | SCK Input Low Time (Slave mode)                             | Continuous               | 1.25 T <sub>CY</sub> + 30 | —     | ns         |
| 72A       |                    |   | Single Byte              | 40                        | —     | ns         |
| 73A       | Tb2B               | Last Clock Edge of Byte 1 to the First Clock Edge of Byte 2 | 1.5 T <sub>CY</sub> + 40 | —                         | ns    | (Note 2)   |
| 74        | Tsch2dIL, TscL2dIL | Hold Time of SDI Data Input to SCK Edge                     | 100                      | —                         | ns    |            |
| 75        | TdoR               | SDO Data Output Rise Time                                   | PIC18FXX20               | —                         | 25    | ns         |
|           |                    |   | PIC18LFXX20              | —                         | 45    | ns         |
| 76        | TdoF               | SDO Data Output Fall Time                                   | —                        | 25                        | ns    |            |
| 77        | TssH2doZ           | $\overline{SS}$ ↑ to SDO Output High-Impedance              | 10                       | 50                        | ns    |            |
| 78        | Tscr               | SCK Output Rise Time (Master mode)                          | PIC18FXX20               | —                         | 25    | ns         |
|           |                    |   | PIC18LFXX20              | —                         | 45    | ns         |
| 79        | TscF               | SCK Output Fall Time (Master mode)                          | —                        | 25                        | ns    |            |
| 80        | Tsch2doV, TscL2doV | SDO Data Output Valid after SCK Edge                        | PIC18FXX20               | —                         | 50    | ns         |
|           |                    |   | PIC18LFXX20              | —                         | 100   | ns         |
| 82        | TssL2doV           | SDO Data Output Valid after $\overline{SS}$ ↓ Edge          | PIC18FXX20               | —                         | 50    | ns         |
|           |                    |   | PIC18LFXX20              | —                         | 100   | ns         |
| 83        | Tsch2ssH, TscL2ssH | $\overline{SS}$ ↑ after SCK Edge                            | 1.5 T <sub>CY</sub> + 40 | —                         | ns    |            |

**Note 1:** Requires the use of Parameter #73A.  
**Note 2:** Only if Parameter #71A and #72A are used.

**FIGURE 26-20: I<sup>2</sup>C BUS START/STOP BITS TIMING**



# PIC18F6520/8520/6620/8620/6720/8720

**TABLE 26-19: I<sup>2</sup>C BUS START/STOP BITS REQUIREMENTS (SLAVE MODE)**

| Param No. | Symbol  | Characteristic  | Min          | Max  | Units | Conditions |   |
|-----------|---------|-----------------|--------------|------|-------|------------|---|
| 90        | TSU:STA | Start Condition | 100 kHz mode | 4700 | —     | ns         | Only relevant for Repeated Start condition            |
|           |         | Setup Time      | 400 kHz mode | 600  | —     |            |   |
| 91        | THD:STA | Start Condition | 100 kHz mode | 4000 | —     | ns         | After this period, the first clock pulse is generated |
|           |         | Hold Time       | 400 kHz mode | 600  | —     |            |   |
| 92        | TSU:STO | Stop Condition  | 100 kHz mode | 4700 | —     | ns         |   |
|           |         | Setup Time      | 400 kHz mode | 600  | —     |            |   |
| 93        | THD:STO | Stop Condition  | 100 kHz mode | 4000 | —     | ns         |   |
|           |         | Hold Time       | 400 kHz mode | 600  | —     |            |   |

**FIGURE 26-21: I<sup>2</sup>C BUS DATA TIMING**



# PIC18F6520/8520/6620/8620/6720/8720

**TABLE 26-20: I<sup>2</sup>C BUS DATA REQUIREMENTS (SLAVE MODE)**

| Param No. | Symbol         | Characteristic             | Min          | Max                     | Units | Conditions |   |
|-----------|----------------|----------------------------|--------------|-------------------------|-------|------------|---|
| 100       | THIGH          | Clock High Time            | 100 kHz mode | 4.0                     | —     | μs         |   |
|           |                |                            | 400 kHz mode | 0.6                     | —     | μs         |   |
|           |                |                            | SSP module   | 1.5 T <sub>CY</sub>     | —     |            |   |
| 101       | TLOW           | Clock Low Time             | 100 kHz mode | 4.7                     | —     | μs         | PIC18FXX20 must operate at a minimum of 1.5 MHz               |
|           |                |                            | 400 kHz mode | 1.3                     | —     | μs         | PIC18FXX20 must operate at a minimum of 10 MHz                |
|           |                |                            | SSP module   | 1.5 T <sub>CY</sub>     | —     |            |   |
| 102       | TR             | SDA and SCL Rise Time      | 100 kHz mode | —                       | 1000  | ns         |   |
|           |                |                            | 400 kHz mode | 20 + 0.1 C <sub>B</sub> | 300   | ns         | C <sub>B</sub> is specified to be from 10 to 400 pF           |
| 103       | TF             | SDA and SCL Fall Time      | 100 kHz mode | —                       | 300   | ns         |   |
|           |                |                            | 400 kHz mode | 20 + 0.1 C <sub>B</sub> | 300   | ns         | C <sub>B</sub> is specified to be from 10 to 400 pF           |
| 90        | TSU:STA        | Start Condition Setup Time | 100 kHz mode | 4.7                     | —     | μs         | Only relevant for Repeated Start condition                    |
|           |                |                            | 400 kHz mode | 0.6                     | —     | μs         |   |
| 91        | THD:STA        | Start Condition Hold Time  | 100 kHz mode | 4.0                     | —     | μs         | After this period, the first clock pulse is generated         |
|           |                |                            | 400 kHz mode | 0.6                     | —     | μs         |   |
| 106       | THD:DAT        | Data Input Hold Time       | 100 kHz mode | 0                       | —     | ns         |   |
|           |                |                            | 400 kHz mode | 0                       | 0.9   | μs         |   |
| 107       | TSU:DAT        | Data Input Setup Time      | 100 kHz mode | 250                     | —     | ns         | <b>(Note 2)</b>   |
|           |                |                            | 400 kHz mode | 100                     | —     | ns         |   |
| 92        | TSU:STO        | Stop Condition Setup Time  | 100 kHz mode | 4.7                     | —     | μs         |   |
|           |                |                            | 400 kHz mode | 0.6                     | —     | μs         |   |
| 109       | TAA            | Output Valid from Clock    | 100 kHz mode | —                       | 3500  | ns         | <b>(Note 1)</b>   |
|           |                |                            | 400 kHz mode | —                       | —     | ns         |   |
| 110       | TBUF           | Bus Free Time              | 100 kHz mode | 4.7                     | —     | μs         | Time the bus must be free before a new transmission can start |
|           |                |                            | 400 kHz mode | 1.3                     | —     | μs         |   |
| D102      | C <sub>B</sub> | Bus Capacitive Loading     | —            | 400                     | pF    |            |   |

**Note 1:** As a transmitter, the device must provide this internal minimum delay time to bridge the undefined region (min. 300 ns) of the falling edge of SCL to avoid unintended generation of Start or Stop conditions.

**2:** A fast mode I<sup>2</sup>C bus device can be used in a standard mode I<sup>2</sup>C bus system but the requirement, TSU:DAT ≥ 250 ns, must then be met. This will automatically be the case if the device does not stretch the LOW period of the SCL signal. If such a device does stretch the LOW period of the SCL signal, it must output the next data bit to the SDA line, TR max. + TSU:DAT = 1000 + 250 = 1250 ns (according to the standard mode I<sup>2</sup>C bus specification), before the SCL line is released.

# PIC18F6520/8520/6620/8620/6720/8720

**FIGURE 26-22: MASTER SSP I<sup>2</sup>C BUS START/STOP BITS TIMING WAVEFORMS**



**TABLE 26-21: MASTER SSP I<sup>2</sup>C BUS START/STOP BITS REQUIREMENTS**

| Param No. | Symbol  | Characteristic             | Min                       | Max                   | Units | Conditions |   |
|-----------|---------|----------------------------|---------------------------|-----------------------|-------|------------|---|
| 90        | TSU:STA | Start Condition Setup Time | 100 kHz mode              | $2(T_{osc})(BRG + 1)$ | —     | ns         | Only relevant for Repeated Start condition            |
|           |         |                            | 400 kHz mode              | $2(T_{osc})(BRG + 1)$ | —     |            |   |
|           |         |                            | 1 MHz mode <sup>(1)</sup> | $2(T_{osc})(BRG + 1)$ | —     |            |   |
| 91        | THD:STA | Start Condition Hold Time  | 100 kHz mode              | $2(T_{osc})(BRG + 1)$ | —     | ns         | After this period, the first clock pulse is generated |
|           |         |                            | 400 kHz mode              | $2(T_{osc})(BRG + 1)$ | —     |            |   |
|           |         |                            | 1 MHz mode <sup>(1)</sup> | $2(T_{osc})(BRG + 1)$ | —     |            |   |
| 92        | TSU:STO | Stop Condition Setup Time  | 100 kHz mode              | $2(T_{osc})(BRG + 1)$ | —     | ns         |   |
|           |         |                            | 400 kHz mode              | $2(T_{osc})(BRG + 1)$ | —     |            |   |
|           |         |                            | 1 MHz mode <sup>(1)</sup> | $2(T_{osc})(BRG + 1)$ | —     |            |   |
| 93        | THD:STO | Stop Condition Hold Time   | 100 kHz mode              | $2(T_{osc})(BRG + 1)$ | —     | ns         |   |
|           |         |                            | 400 kHz mode              | $2(T_{osc})(BRG + 1)$ | —     |            |   |
|           |         |                            | 1 MHz mode <sup>(1)</sup> | $2(T_{osc})(BRG + 1)$ | —     |            |   |

**Note 1:** Maximum pin capacitance = 10 pF for all I<sup>2</sup>C pins.

**FIGURE 26-23: MASTER SSP I<sup>2</sup>C BUS DATA TIMING**



# PIC18F6520/8520/6620/8620/6720/8720

**TABLE 26-22: MASTER SSP I<sup>2</sup>C BUS DATA REQUIREMENTS**

| Param No. | Symbol  | Characteristic             | Min                       | Max              | Units | Conditions |   |
|-----------|---------|----------------------------|---------------------------|------------------|-------|------------|---|
| 100       | THIGH   | Clock High Time            | 100 kHz mode              | 2(Tosc)(BRG + 1) | —     | ms         |   |
|           |         |                            | 400 kHz mode              | 2(Tosc)(BRG + 1) | —     | ms         |   |
|           |         |                            | 1 MHz mode <sup>(1)</sup> | 2(Tosc)(BRG + 1) | —     | ms         |   |
| 101       | TLOW    | Clock Low Time             | 100 kHz mode              | 2(Tosc)(BRG + 1) | —     | ms         |   |
|           |         |                            | 400 kHz mode              | 2(Tosc)(BRG + 1) | —     | ms         |   |
|           |         |                            | 1 MHz mode <sup>(1)</sup> | 2(Tosc)(BRG + 1) | —     | ms         |   |
| 102       | TR      | SDA and SCL Rise Time      | 100 kHz mode              | —                | 1000  | ns         | Cb is specified to be from 10 to 400 pF                       |
|           |         |                            | 400 kHz mode              | 20 + 0.1 Cb      | 300   | ns         |   |
|           |         |                            | 1 MHz mode <sup>(1)</sup> | —                | 300   | ns         |   |
| 103       | TF      | SDA and SCL Fall Time      | 100 kHz mode              | —                | 300   | ns         | Cb is specified to be from 10 to 400 pF                       |
|           |         |                            | 400 kHz mode              | 20 + 0.1 Cb      | 300   | ns         |   |
|           |         |                            | 1 MHz mode <sup>(1)</sup> | —                | 100   | ns         |   |
| 90        | TSU:STA | Start Condition Setup Time | 100 kHz mode              | 2(Tosc)(BRG + 1) | —     | ms         | Only relevant for Repeated Start condition                    |
|           |         |                            | 400 kHz mode              | 2(Tosc)(BRG + 1) | —     | ms         |   |
|           |         |                            | 1 MHz mode <sup>(1)</sup> | 2(Tosc)(BRG + 1) | —     | ms         |   |
| 91        | THD:STA | Start Condition Hold Time  | 100 kHz mode              | 2(Tosc)(BRG + 1) | —     | ms         | After this period, the first clock pulse is generated         |
|           |         |                            | 400 kHz mode              | 2(Tosc)(BRG + 1) | —     | ms         |   |
|           |         |                            | 1 MHz mode <sup>(1)</sup> | 2(Tosc)(BRG + 1) | —     | ms         |   |
| 106       | THD:DAT | Data Input Hold Time       | 100 kHz mode              | 0                | —     | ns         |   |
|           |         |                            | 400 kHz mode              | 0                | 0.9   | ms         |   |
|           |         |                            | 1 MHz mode <sup>(1)</sup> | TBD              | —     | ns         |   |
| 107       | TSU:DAT | Data Input Setup Time      | 100 kHz mode              | 250              | —     | ns         | <b>(Note 2)</b>   |
|           |         |                            | 400 kHz mode              | 100              | —     | ns         |   |
|           |         |                            | 1 MHz mode <sup>(1)</sup> | TBD              | —     | ns         |   |
| 92        | TSU:STO | Stop Condition Setup Time  | 100 kHz mode              | 2(Tosc)(BRG + 1) | —     | ms         |   |
|           |         |                            | 400 kHz mode              | 2(Tosc)(BRG + 1) | —     | ms         |   |
|           |         |                            | 1 MHz mode <sup>(1)</sup> | 2(Tosc)(BRG + 1) | —     | ms         |   |
| 109       | TAA     | Output Valid from Clock    | 100 kHz mode              | —                | 3500  | ns         |   |
|           |         |                            | 400 kHz mode              | —                | 1000  | ns         |   |
|           |         |                            | 1 MHz mode <sup>(1)</sup> | —                | —     | ns         |   |
| 110       | TBUF    | Bus Free Time              | 100 kHz mode              | 4.7              | —     | ms         | Time the bus must be free before a new transmission can start |
|           |         |                            | 400 kHz mode              | 1.3              | —     | ms         |   |
|           |         |                            | 1 MHz mode <sup>(1)</sup> | TBD              | —     | ms         |   |
| D102      | CB      | Bus Capacitive Loading     | —                         | 400              | pF    |            |   |

**Note 1:** Maximum pin capacitance = 10 pF for all I<sup>2</sup>C pins.

- 2:** A fast mode I<sup>2</sup>C bus device can be used in a standard mode I<sup>2</sup>C bus system, but parameter #107 ≥ 250 ns, must then be met. This will automatically be the case if the device does not stretch the LOW period of the SCL signal. If such a device does stretch the LOW period of the SCL signal, it must output the next data bit to the SDA line, parameter #102 + parameter #107 = 1000 + 250 = 1250 ns (for 100 kHz mode), before the SCL line is released.



# PIC18F6520/8520/6620/8620/6720/8720

**FIGURE 26-24: USART SYNCHRONOUS TRANSMISSION (MASTER/SLAVE) TIMING**



**TABLE 26-23: USART SYNCHRONOUS TRANSMISSION REQUIREMENTS**

| Param No. | Symbol               | Characteristic   | Min         | Max | Units | Conditions |                        |
|-----------|----------------------|--|-------------|-----|-------|------------|------------------------|
| 120       | T <sub>CKH2DTV</sub> | SYNC XMIT (MASTER & SLAVE)<br>Clock High to Data Out Valid | PIC18FXX20  | —   | 40    | ns         |                        |
|           |                      |  | PIC18LFXX20 | —   | 100   | ns         | V <sub>DD</sub> = 2.0V |
| 121       | T <sub>CKRF</sub>    | Clock Out Rise Time and Fall Time<br>(Master mode)         | PIC18FXX20  | —   | 20    | ns         |                        |
|           |                      |  | PIC18LFXX20 | —   | 50    | ns         | V <sub>DD</sub> = 2.0V |
| 122       | T <sub>DTRF</sub>    | Data Out Rise Time and Fall Time                           | PIC18FXX20  | —   | 20    | ns         |                        |
|           |                      |  | PIC18LFXX20 | —   | 50    | ns         | V <sub>DD</sub> = 2.0V |

**FIGURE 26-25: USART SYNCHRONOUS RECEIVE (MASTER/SLAVE) TIMING**



**TABLE 26-24: USART SYNCHRONOUS RECEIVE REQUIREMENTS**

| Param No. | Symbol               | Characteristic  | Min | Max | Units | Conditions |
|-----------|----------------------|---|-----|-----|-------|------------|
| 125       | T <sub>DtV2CKL</sub> | SYNC RCV (MASTER & SLAVE)<br>Data Hold before CK ↓ (DT hold time) | 10  | —   | ns    |            |
| 126       | T <sub>CKL2DTL</sub> | Data Hold after CK ↓ (DT hold time)                               | 15  | —   | ns    |            |

# PIC18F6520/8520/6620/8620/6720/8720

**TABLE 26-25: A/D CONVERTER CHARACTERISTICS: PIC18FXX20 (INDUSTRIAL, EXTENDED)  
PIC18LFX20 (INDUSTRIAL)**

| Param No. | Symbol | Characteristic                                 | Min                        | Typ | Max                        | Units    | Conditions   |
|-----------|--------|--|----------------------------|-----|----------------------------|----------|--|
| A01       | NR     | Resolution                                     | —                          | —   | 10                         | bit      |  |
| A03       | EIL    | Integral Linearity Error                       | —                          | —   | <±1                        | LSb      | VREF = VDD = 5.0V  |
| A04       | EDL    | Differential Linearity Error                   | —                          | —   | <±1                        | LSb      | VREF = VDD = 5.0V  |
| A05       | EG     | Gain Error                                     | —                          | —   | <±1                        | LSb      | VREF = VDD = 5.0V  |
| A06       | E0FF   | Offset Error                                   | —                          | —   | <±1.5                      | LSb      | VREF = VDD = 5.0V  |
| A10       | —      | Monotonicity                                   | guaranteed <sup>(2)</sup>  |     |                            | —        | VSS ≤ VAIN ≤ VREF  |
| A20       | VREF   | Reference Voltage                              | 1.8V                       | —   | —                          | V        | VDD < 3.0V   |
| A20A      |        | (VREFH – VREFL)                                | 3V                         | —   | —                          | V        | VDD ≥ 3.0V   |
| A21       | VREFH  | Reference Voltage High                         | AVSS                       | —   | AVDD + 0.3V                | V        |  |
| A22       | VREFL  | Reference Voltage Low                          | AVSS – 0.3V <sup>(5)</sup> | —   | VREFH                      | V        |  |
| A25       | VAIN   | Analog Input Voltage                           | AVSS – 0.3V <sup>(5)</sup> | —   | AVDD + 0.3V <sup>(5)</sup> | V        | VDD ≥ 2.5V (Note 3)                                      |
| A30       | ZAIN   | Recommended Impedance of Analog Voltage Source | —                          | —   | 2.5                        | kΩ       | (Note 4)   |
| A50       | IREF   | VREF Input Current (Note 1)                    | —                          | —   | 5<br>150                   | μA<br>μA | During VAIN acquisition.<br>During A/D conversion cycle. |

- Note 1:**  $V_{SS} \leq V_{AIN} \leq V_{REF}$
- Note 2:** The A/D conversion result never decreases with an increase in the input voltage and has no missing codes.
- Note 3:** For  $V_{DD} < 2.5V$ ,  $V_{AIN}$  should be limited to  $< 0.5 V_{DD}$ .
- Note 4:** Maximum allowed impedance for analog voltage source is 10 kΩ. This requires higher acquisition times.
- Note 5:**  $V_{DD} - AV_{DD1}$  must be  $< 0.3V$  and  $I_{AVSS} - V_{SS1}$  must be  $< 0.3V$ .

**FIGURE 26-26: A/D CONVERSION TIMING**



# PIC18F6520/8520/6620/8620/6720/8720

**TABLE 26-26: A/D CONVERSION REQUIREMENTS**

| Param No. | Symbol | Characteristic  | Min         | Max             | Units             | Conditions  |                             |
|-----------|--------|---|-------------|-----------------|-------------------|---|-----------------------------|
| 130       | TAD    | A/D Clock Period  | PIC18FXX20  | 1.6             | 20 <sup>(5)</sup> | μs  | TOSC based, VREF ≥ 3.0V     |
|           |        |   | PIC18LFXX20 | 3.0             | 20 <sup>(5)</sup> | μs  | TOSC based, VREF full range |
|           |        |   | PIC18FXX20  | 2.0             | 6.0               | μs  | A/D RC mode                 |
|           |        |   | PIC18LFXX20 | 3.0             | 9.0               | μs  | A/D RC mode                 |
| 131       | TCNV   | Conversion Time<br>(not including acquisition time) <b>(Note 1)</b> | 11          | 12              | TAD               |   |                             |
| 132       | TACQ   | Acquisition Time <b>(Note 3)</b>                                    | 15          | —               | μs                | -40°C ≤ Temp ≤ +125°C   |                             |
|           |        |   | 10          | —               | μs                | 0°C ≤ Temp ≤ +125°C   |                             |
| 135       | TSWC   | Switching Time from Convert → Sample                                | —           | <b>(Note 4)</b> |                   |   |                             |
| 136       | TAMP   | Amplifier Settling Time <b>(Note 2)</b>                             | 1           | —               | μs                | This may be used if the “new” input voltage has not changed by more than 1 LSb (i.e., 5 mV @ 5.12V) from the last sampled voltage (as stated on CHOLD). |                             |

**Note 1:** ADRES register may be read on the following T<sub>CY</sub> cycle.

- 2:** See **Section 19.0 “10-Bit Analog-to-Digital Converter (A/D) Module”** for minimum conditions when input voltage has changed more than 1 LSb.
- 3:** The time for the holding capacitor to acquire the “New” input voltage when the voltage changes full scale after the conversion (AVDD to AVSS, or AVSS to AVDD). The source impedance (*R<sub>S</sub>*) on the input channels is 50Ω.
- 4:** On the next Q4 cycle of the device clock.
- 5:** The time of the A/D clock period is dependent on the device frequency and the TAD clock divider.

# PIC18F6520/8520/6620/8620/6720/8720

---

NOTES:

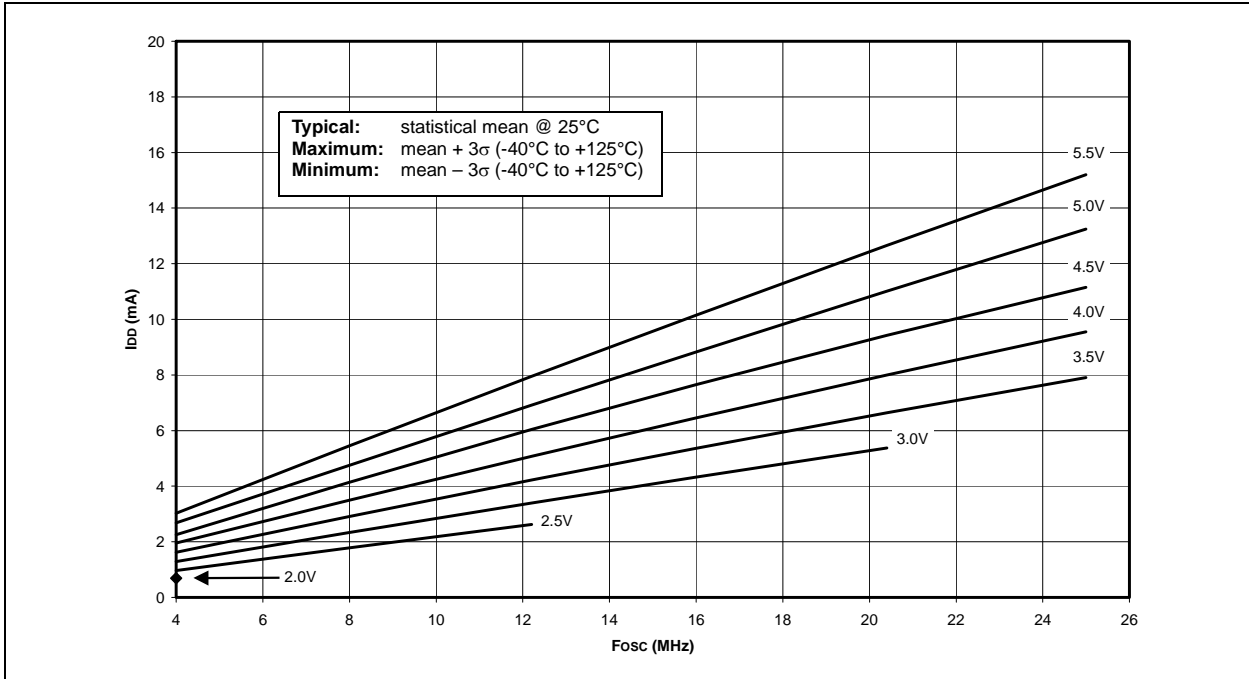
# PIC18F6520/8520/6620/8620/6720/8720

## 27.0 DC AND AC CHARACTERISTICS GRAPHS AND TABLES

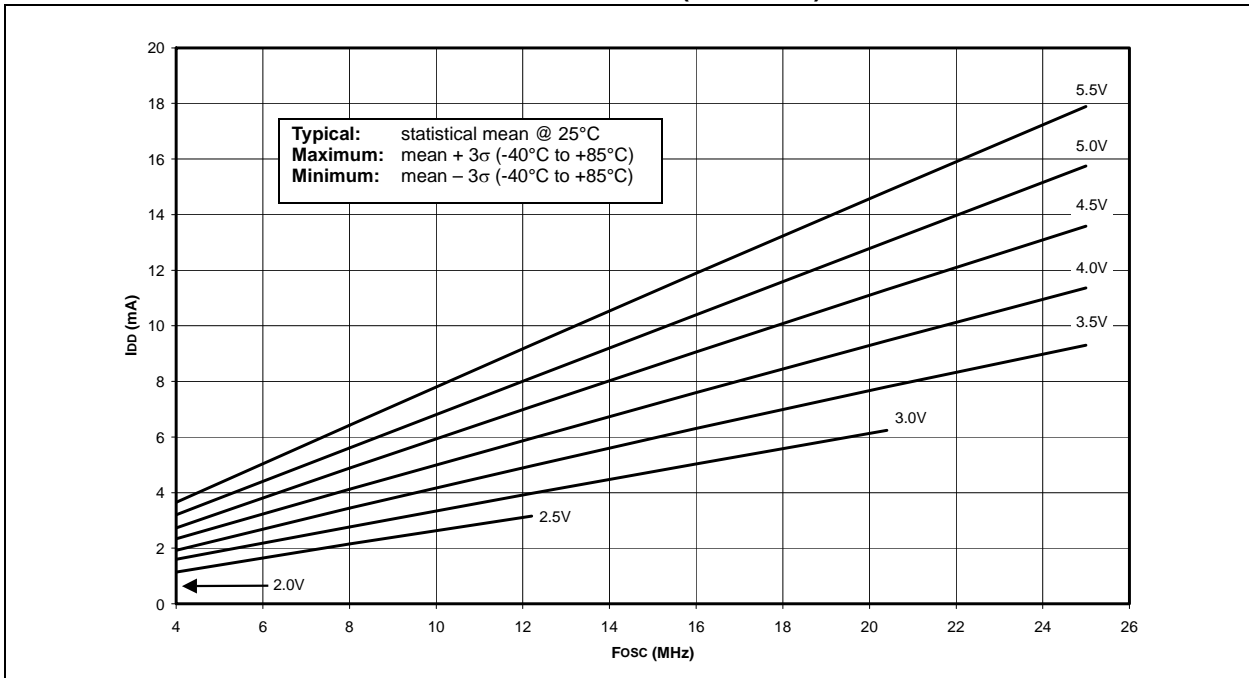
**Note:** The graphs and tables provided following this note are a statistical summary based on a limited number of samples and are provided for informational purposes only. The performance characteristics listed herein are not tested or guaranteed. In some graphs or tables, the data presented may be outside the specified operating range (e.g., outside specified power supply range) and therefore, outside the warranted range.

“Typical” represents the mean of the distribution at 25°C. “Maximum” or “minimum” represents (mean + 3 $\sigma$ ) or (mean – 3 $\sigma$ ) respectively, where  $\sigma$  is a standard deviation, over the whole temperature range.

**FIGURE 27-1: TYPICAL  $I_{DD}$  vs. Fosc OVER  $V_{DD}$  (HS MODE)**



**FIGURE 27-2: MAXIMUM  $I_{DD}$  vs. Fosc OVER  $V_{DD}$  (HS MODE) INDUSTRIAL**



# PIC18F6520/8520/6620/8620/6720/8720

**FIGURE 27-3: MAXIMUM  $I_{DD}$  vs.  $F_{osc}$  OVER  $V_{DD}$  (HS MODE) EXTENDED**



**FIGURE 27-4: TYPICAL  $I_{DD}$  vs.  $F_{osc}$  OVER  $V_{DD}$  (HS/PLL MODE)**



# PIC18F6520/8520/6620/8620/6720/8720

FIGURE 27-5: MAXIMUM  $I_{DD}$  vs. Fosc OVER  $V_{DD}$  (HS/PLL MODE) INDUSTRIAL



FIGURE 27-6: MAXIMUM  $I_{DD}$  vs. Fosc OVER  $V_{DD}$  (HS/PLL MODE) EXTENDED



# PIC18F6520/8520/6620/8620/6720/8720

FIGURE 27-7: TYPICAL  $I_{DD}$  vs.  $F_{OSC}$  OVER  $V_{DD}$  (XT MODE)



FIGURE 27-8: MAXIMUM  $I_{DD}$  vs.  $F_{OSC}$  OVER  $V_{DD}$  (XT MODE) INDUSTRIAL





# PIC18F6520/8520/6620/8620/6720/8720

FIGURE 27-9: TYPICAL  $I_{DD}$  vs. Fosc OVER  $V_{DD}$  (LP MODE)

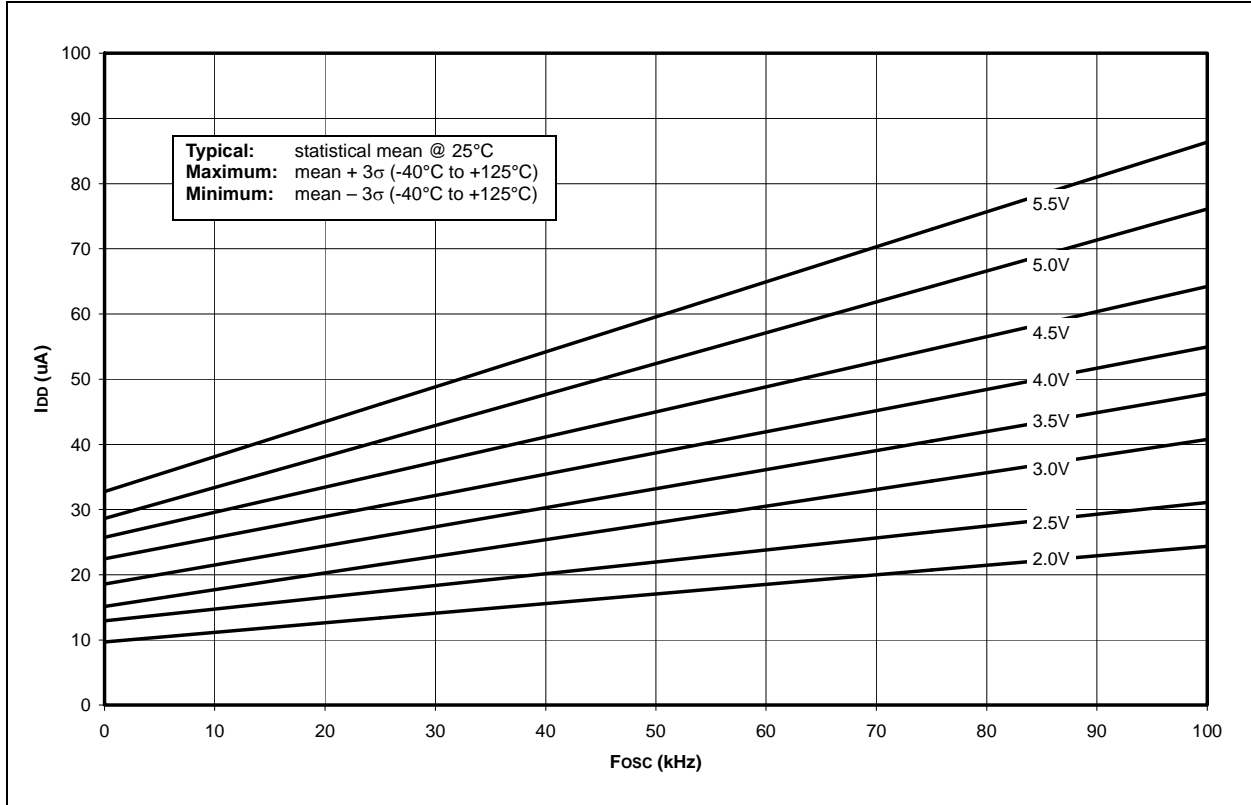
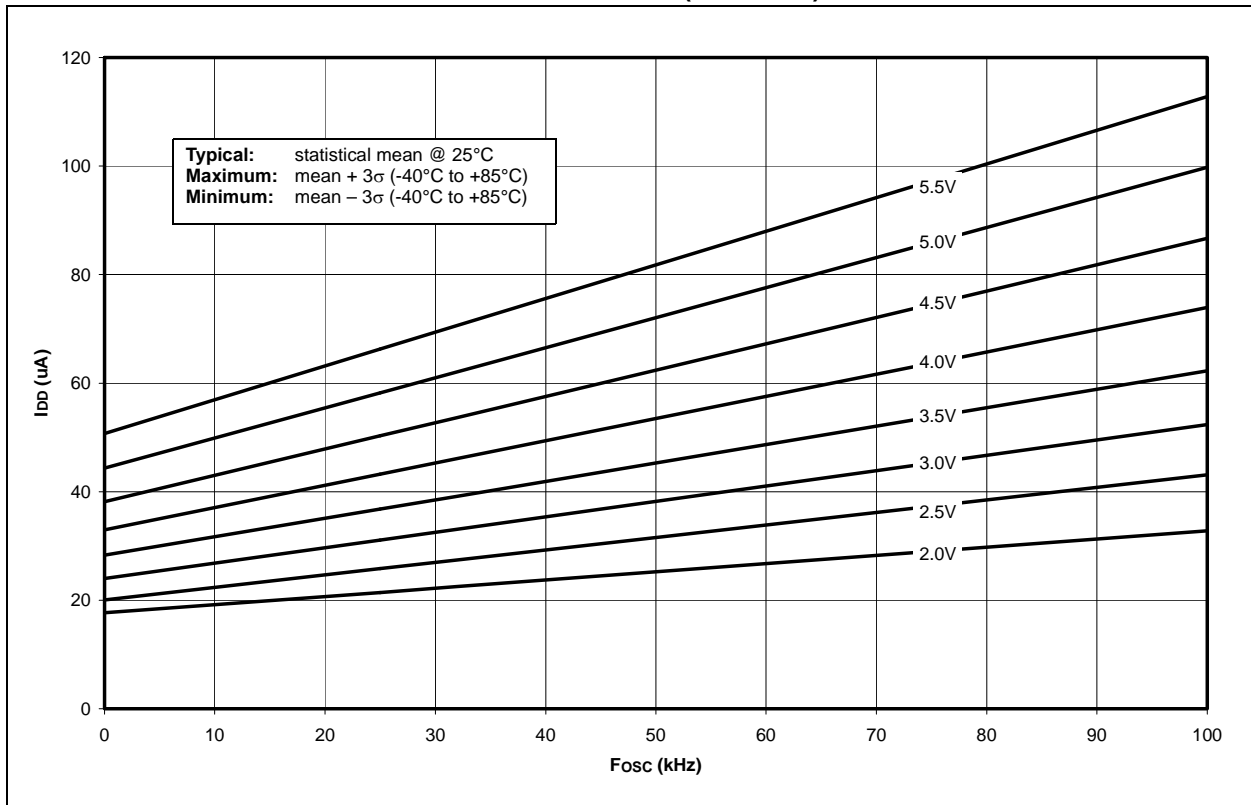


FIGURE 27-10: MAXIMUM  $I_{DD}$  vs. Fosc OVER  $V_{DD}$  (LP MODE) INDUSTRIAL



# PIC18F6520/8520/6620/8620/6720/8720

**FIGURE 27-11: MAXIMUM  $I_{DD}$  vs.  $F_{osc}$  OVER  $V_{DD}$  (LP MODE) EXTENDED**



**FIGURE 27-12: TYPICAL  $I_{DD}$  vs.  $F_{osc}$  OVER  $V_{DD}$  (EC MODE)**



# PIC18F6520/8520/6620/8620/6720/8720

**FIGURE 27-13: MAXIMUM I<sub>DD</sub> vs. Fosc OVER V<sub>DD</sub> (EC MODE)**



**FIGURE 27-14: MAXIMUM I<sub>PD</sub> vs. V<sub>DD</sub> OVER TEMPERATURE**



# PIC18F6520/8520/6620/8620/6720/8720

**FIGURE 27-15: TYPICAL AND MAXIMUM  $I_{PD}$  vs.  $V_{DD}$  OVER TEMPERATURE (TIMER1 AS MAIN OSCILLATOR, 32.768 kHz, C1 AND C2 = 47 pF)**



**FIGURE 27-16: TYPICAL AND MAXIMUM  $\Delta I_{WDT}$  vs.  $V_{DD}$  OVER TEMPERATURE (WDT ENABLED)**



# PIC18F6520/8520/6620/8620/6720/8720

FIGURE 27-17: TYPICAL  $I_{DD}$  vs.  $F_{osc}$  OVER  $V_{DD}$  (EC MODE)



FIGURE 27-18: MAXIMUM  $I_{DD}$  vs.  $F_{osc}$  OVER  $V_{DD}$  (EC MODE)



# PIC18F6520/8520/6620/8620/6720/8720

FIGURE 27-19: TYPICAL  $I_{DD}$  vs.  $F_{osc}$  OVER  $V_{DD}$  (EC MODE) (PIC18F8520 DEVICES ONLY)



FIGURE 27-20: MAXIMUM  $I_{DD}$  vs.  $F_{osc}$  OVER  $V_{DD}$  (EC MODE) INDUSTRIAL (PIC18F8520 DEVICES ONLY)



# PIC18F6520/8520/6620/8620/6720/8720

**FIGURE 27-21: MAXIMUM  $I_{DD}$  vs.  $F_{osc}$  OVER  $V_{DD}$  (EC MODE) EXTENDED (PIC18F8520 DEVICES ONLY)**



**FIGURE 27-22: TYPICAL  $I_{DD}$  vs.  $F_{osc}$  OVER  $V_{DD}$  (HS/PLL MODE) (PIC18F8520 DEVICES ONLY)**



# PIC18F6520/8520/6620/8620/6720/8720

**FIGURE 27-23: MAXIMUM I<sub>DD</sub> vs. Fosc OVER V<sub>DD</sub> (HS/PLL MODE) INDUSTRIAL (PIC18F8520 DEVICES ONLY)**



**FIGURE 27-24: MAXIMUM I<sub>DD</sub> vs. Fosc OVER V<sub>DD</sub> (HS/PLL MODE) EXTENDED (PIC18F8520 DEVICES ONLY)**





# PIC18F6520/8520/6620/8620/6720/8720

FIGURE 27-25: A/D NONLINEARITY vs. VREFH (VDD = VREFH, -40°C TO +125°C)



FIGURE 27-26: A/D NONLINEARITY vs. VREFH (VDD = 5V, -40°C TO +125°C)



# PIC18F6520/8520/6620/8620/6720/8720

---

NOTES:

# PIC18F6520/8520/6620/8620/6720/8720

## 28.0 PACKAGING INFORMATION

### 28.1 Package Marking Information

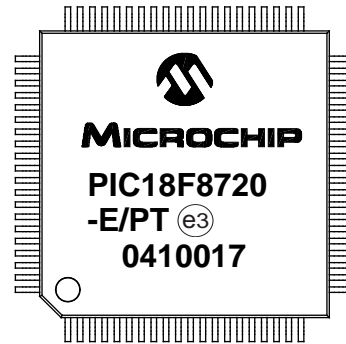
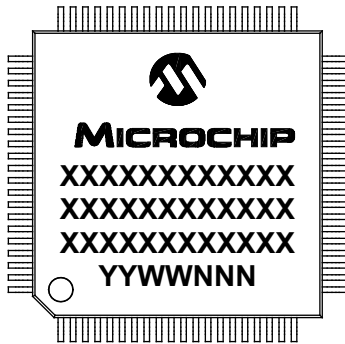
64-Lead TQFP (10x10x1 mm)

Example



80-Lead TQFP (12x12x1 mm)

Example



|                |        |  |
|----------------|--------|--|
| <b>Legend:</b> | XX...X | Customer-specific information  |
|                | Y      | Year code (last digit of calendar year)  |
|                | YY     | Year code (last 2 digits of calendar year)   |
|                | WW     | Week code (week of January 1 is week '01')   |
|                | NNN    | Alphanumeric traceability code   |
|                | (e3)   | Pb-free JEDEC designator for Matte Tin (Sn)  |
|                | *      | This package is Pb-free. The Pb-free JEDEC designator (e3) can be found on the outer packaging for this package. |

**Note:** In the event the full Microchip part number cannot be marked on one line, it will be carried over to the next line, thus limiting the number of available characters for customer-specific information.

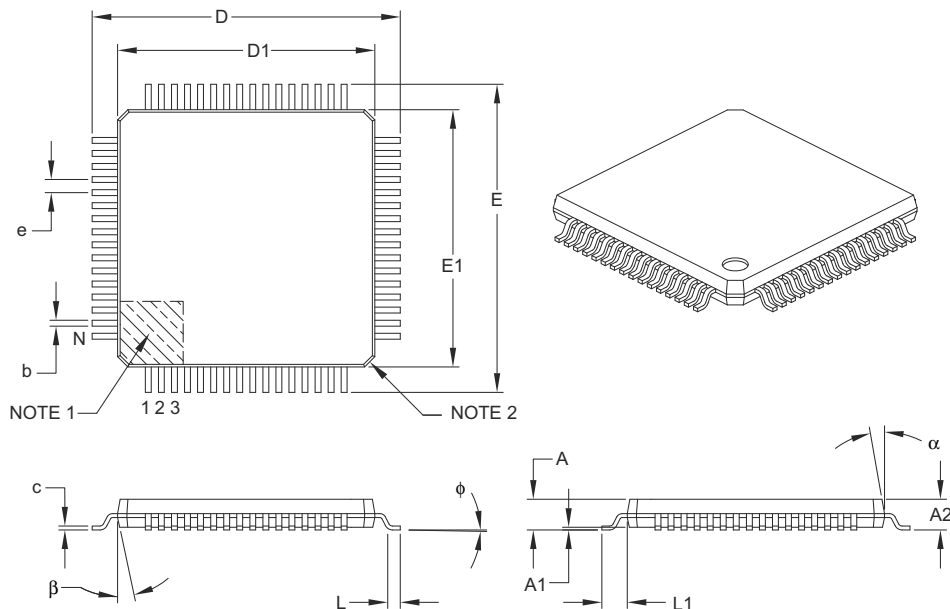
# PIC18F6520/8520/6620/8620/6720/8720

## 28.2 Package Details

The following sections give the technical details of the packages.

### 64-Lead Plastic Thin Quad Flatpack (PT) – 10x10x1 mm Body, 2.00 mm [TQFP]

**Note:** For the most current package drawings, please see the Microchip Packaging Specification located at <http://www.microchip.com/packaging>



| Dimension Limits         | Units    | MILLIMETERS |      |      |
|--------------------------|----------|-------------|------|------|
|                          |          | MIN         | NOM  | MAX  |
| Number of Leads          | N        | 64          |      |      |
| Lead Pitch               | e        | 0.50 BSC    |      |      |
| Overall Height           | A        | –           | –    | 1.20 |
| Molded Package Thickness | A2       | 0.95        | 1.00 | 1.05 |
| Standoff                 | A1       | 0.05        | –    | 0.15 |
| Foot Length              | L        | 0.45        | 0.60 | 0.75 |
| Footprint                | L1       | 1.00 REF    |      |      |
| Foot Angle               | $\phi$   | 0°          | 3.5° | 7°   |
| Overall Width            | E        | 12.00 BSC   |      |      |
| Overall Length           | D        | 12.00 BSC   |      |      |
| Molded Package Width     | E1       | 10.00 BSC   |      |      |
| Molded Package Length    | D1       | 10.00 BSC   |      |      |
| Lead Thickness           | c        | 0.09        | –    | 0.20 |
| Lead Width               | b        | 0.17        | 0.22 | 0.27 |
| Mold Draft Angle Top     | $\alpha$ | 11°         | 12°  | 13°  |
| Mold Draft Angle Bottom  | $\beta$  | 11°         | 12°  | 13°  |

**Notes:**

- Pin 1 visual index feature may vary, but must be located within the hatched area.
- Chamfers at corners are optional; size may vary.
- Dimensions D1 and E1 do not include mold flash or protrusions. Mold flash or protrusions shall not exceed 0.25 mm per side.
- Dimensioning and tolerancing per ASME Y14.5M.

BSC: Basic Dimension. Theoretically exact value shown without tolerances.

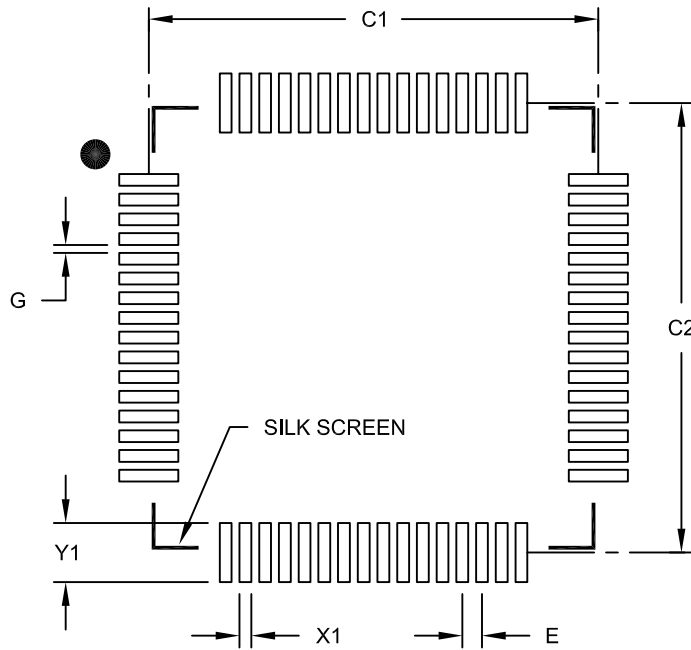
REF: Reference Dimension, usually without tolerance, for information purposes only.

Microchip Technology Drawing C04-085B

# PIC18F6520/8520/6620/8620/6720/8720

64-Lead Plastic Thin Quad Flatpack (PT) 10x10x1 mm Body, 2.00 mm Footprint [TQFP]

**Note:** For the most current package drawings, please see the Microchip Packaging Specification located at <http://www.microchip.com/packaging>



RECOMMENDED LAND PATTERN

| Dimension Limits         | Units | MILLIMETERS |       |      |
|--------------------------|-------|-------------|-------|------|
|                          |       | MIN         | NOM   | MAX  |
| Contact Pitch            | E     | 0.50 BSC    |       |      |
| Contact Pad Spacing      | C1    |             | 11.40 |      |
| Contact Pad Spacing      | C2    |             | 11.40 |      |
| Contact Pad Width (X64)  | X1    |             |       | 0.30 |
| Contact Pad Length (X64) | Y1    |             |       | 1.50 |
| Distance Between Pads    | G     | 0.20        |       |      |

**Notes:**

1. Dimensioning and tolerancing per ASME Y14.5M

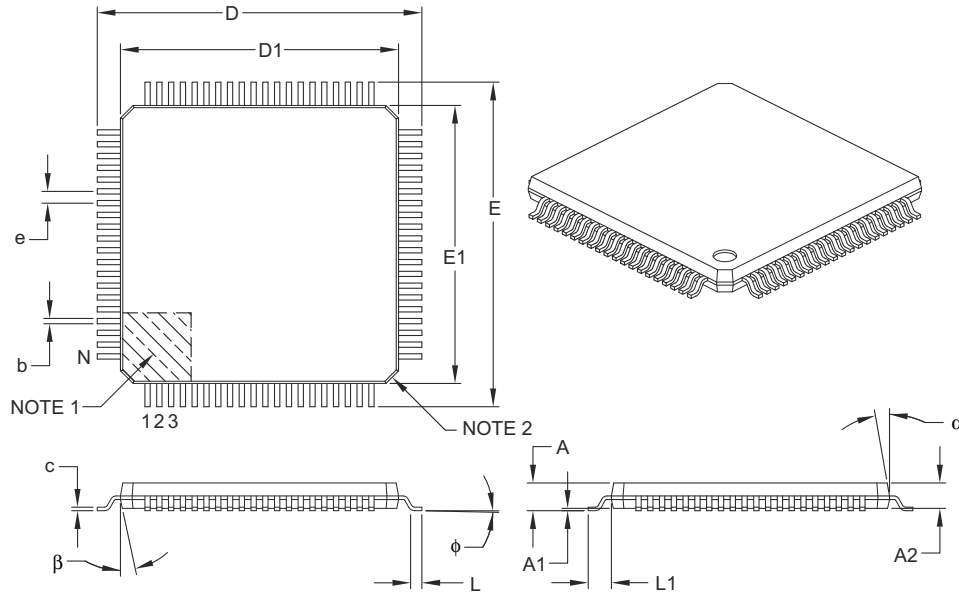
BSC: Basic Dimension. Theoretically exact value shown without tolerances.

Microchip Technology Drawing No. C04-2085B

# PIC18F6520/8520/6620/8620/6720/8720

## 80-Lead Plastic Thin Quad Flatpack (PT) – 12x12x1 mm Body, 2.00 mm [TQFP]

**Note:** For the most current package drawings, please see the Microchip Packaging Specification located at <http://www.microchip.com/packaging>



| Dimension Limits         | Units | MILLIMETERS |      |      |
|--------------------------|-------|-------------|------|------|
|                          |       | MIN         | NOM  | MAX  |
| Number of Leads          | N     | 80          |      |      |
| Lead Pitch               | e     | 0.50 BSC    |      |      |
| Overall Height           | A     | –           | –    | 1.20 |
| Molded Package Thickness | A2    | 0.95        | 1.00 | 1.05 |
| Standoff                 | A1    | 0.05        | –    | 0.15 |
| Foot Length              | L     | 0.45        | 0.60 | 0.75 |
| Footprint                | L1    | 1.00 REF    |      |      |
| Foot Angle               | φ     | 0°          | 3.5° | 7°   |
| Overall Width            | E     | 14.00 BSC   |      |      |
| Overall Length           | D     | 14.00 BSC   |      |      |
| Molded Package Width     | E1    | 12.00 BSC   |      |      |
| Molded Package Length    | D1    | 12.00 BSC   |      |      |
| Lead Thickness           | c     | 0.09        | –    | 0.20 |
| Lead Width               | b     | 0.17        | 0.22 | 0.27 |
| Mold Draft Angle Top     | α     | 11°         | 12°  | 13°  |
| Mold Draft Angle Bottom  | β     | 11°         | 12°  | 13°  |

**Notes:**

- Pin 1 visual index feature may vary, but must be located within the hatched area.
- Chamfers at corners are optional; size may vary.
- Dimensions D1 and E1 do not include mold flash or protrusions. Mold flash or protrusions shall not exceed 0.25 mm per side.
- Dimensioning and tolerancing per ASME Y14.5M.

BSC: Basic Dimension. Theoretically exact value shown without tolerances.

REF: Reference Dimension, usually without tolerance, for information purposes only.

Microchip Technology Drawing C04-092B

# PIC18F6520/8520/6620/8620/6720/8720

80-Lead Plastic Thin Quad Flatpack (PT) - 12x12x1mm Body, 2.00 mm Footprint [TQFP]

**Note:** For the most current package drawings, please see the Microchip Packaging Specification located at <http://www.microchip.com/packaging>



|                          |    | MILLIMETERS |       |      |
|--------------------------|----|-------------|-------|------|
| Units                    |    | MIN         | NOM   | MAX  |
| Dimension Limits         |    |             |       |      |
| Contact Pitch            | E  | 0.50 BSC    |       |      |
| Contact Pad Spacing      | C1 |             | 13.40 |      |
| Contact Pad Spacing      | C2 |             | 13.40 |      |
| Contact Pad Width (X80)  | X1 |             |       | 0.30 |
| Contact Pad Length (X80) | Y1 |             |       | 1.50 |
| Distance Between Pads    | G  | 0.20        |       |      |

Notes:

1. Dimensioning and tolerancing per ASME Y14.5M

BSC: Basic Dimension. Theoretically exact value shown without tolerances.

Microchip Technology Drawing No. C04-2092B

# PIC18F6520/8520/6620/8620/6720/8720

---

NOTES:



# PIC18F6520/8520/6620/8620/6720/8720

## APPENDIX A: REVISION HISTORY

### Revision A (January 2003)

Original data sheet for the PIC18FXX20 family which includes PIC18F6520, PIC18F6620, PIC18F6720, PIC18F8520, PIC18F8620 and PIC18F8720 devices.

This data sheet is based on the previous PIC18FXX20 Data Sheet (DS39580).

### Revision B (January 2004)

This revision includes the DC and AC Characteristics Graphs and Tables. The Electrical Specifications in **Section 26.0 “Electrical Characteristics”** have been updated and there have been minor corrections to the data sheet text.

### Revision C (November 2011)

This revision updated **Section 28.0 “Packaging Information”**.

## APPENDIX B: DEVICE DIFFERENCES

The differences between the devices listed in this data sheet are shown in Table B-1.

**TABLE B-1: DEVICE DIFFERENCES**

| Feature                           | PIC18F6520                | PIC18F6620                | PIC18F6720                | PIC18F8520                      | PIC18F8620                      | PIC18F8720                      |
|-----------------------------------|---------------------------|---------------------------|---------------------------|---------------------------------|---------------------------------|---------------------------------|
| On-Chip Program Memory (Kbytes)   | 32                        | 64                        | 128                       | 32                              | 64                              | 128                             |
| Data Memory (bytes)               | 2048                      | 3840                      | 3840                      | 2048                            | 3840                            | 3840                            |
| Boot Block (bytes)                | 2048                      | 512                       | 512                       | 2048                            | 512                             | 512                             |
| Timer1 Low-Power Option           | Yes                       | No                        | No                        | Yes                             | No                              | No                              |
| I/O Ports                         | Ports A, B, C, D, E, F, G | Ports A, B, C, D, E, F, G | Ports A, B, C, D, E, F, G | Ports A, B, C, D, E, F, G, H, J | Ports A, B, C, D, E, F, G, H, J | Ports A, B, C, D, E, F, G, H, J |
| A/D Channels                      | 12                        | 12                        | 12                        | 16                              | 16                              | 16                              |
| External Memory Interface         | No                        | No                        | No                        | Yes                             | Yes                             | Yes                             |
| Maximum Operating Frequency (MHz) | 40                        | 25                        | 25                        | 40                              | 25                              | 25                              |
| Package Types                     | 64-pin TQFP               | 64-pin TQFP               | 64-pin TQFP               | 80-pin TQFP                     | 80-pin TQFP                     | 80-pin TQFP                     |

# PIC18F6520/8520/6620/8620/6720/8720

---

## APPENDIX C: CONVERSION CONSIDERATIONS

This appendix discusses the considerations for converting from previous versions of a device to the ones listed in this data sheet. Typically, these changes are due to the differences in the process technology used. An example of this type of conversion is from a PIC17C756 to a PIC18F8720.

**Not Currently Available**

## APPENDIX D: MIGRATION FROM MID-RANGE TO ENHANCED DEVICES

A detailed discussion of the differences between the mid-range MCU devices (i.e., PIC16CXXX) and the enhanced devices (i.e., PIC18FXXX) is provided in AN716, *"Migrating Designs from PIC16C74A/74B to PIC18C442"*. The changes discussed, while device specific, are generally applicable to all mid-range to enhanced device migrations.

This Application Note is available as Literature Number DS00716.

## APPENDIX E: MIGRATION FROM HIGH-END TO ENHANCED DEVICES

A detailed discussion of the migration pathway and differences between the high-end MCU devices (i.e., PIC17CXXX) and the enhanced devices (i.e., PIC18FXXX) is provided in AN726, "*PIC17CXXX to PIC18CXXX Migration*". This Application Note is available as Literature Number DS00726.

# PIC18F6520/8520/6620/8620/6720/8720

---

NOTES:

# PIC18F6520/8520/6620/8620/6720/8720

## INDEX

### A

|   |          |
|---|----------|
| A/D   | 213      |
| A/D Converter Interrupt, Configuring  | 217      |
| Acquisition Requirements  | 218      |
| Acquisition Time  | 218      |
| ADCON0 Register   | 213      |
| ADCON1 Register   | 213      |
| ADCON2 Register   | 213      |
| ADRESH Register   | 213, 215 |
| ADRESL Register   | 213, 215 |
| Analog Port Pins  | 128      |
| Analog Port Pins, Configuring   | 219      |
| Associated Register Summary   | 221      |
| Calculating Minimum Required Acquisition Time (Example)                     | 218      |
| CCP2 Trigger  | 220      |
| Configuring the Module  | 217      |
| Conversion Clock (Tad)  | 219      |
| Conversion Requirements   | 339      |
| Conversion Status (GO/DONE Bit)   | 215      |
| Conversion Tad Cycles   | 220      |
| Conversions   | 220      |
| Converter Characteristics   | 338      |
| Equations   | 218      |
| Minimum Charging Time   | 218      |
| Special Event Trigger (CCP)   | 152      |
| Special Event Trigger (CCP2)  | 220      |
| Tad vs. Device Operating Frequencies (Table)                                | 219      |
| Absolute Maximum Ratings  | 305      |
| AC (Timing) Characteristics   | 318      |
| Load Conditions for Device Timing Specifications                            | 319      |
| Parameter Symbology   | 318      |
| Temperature and Voltage Specifications                                      | 319      |
| Timing Conditions   | 319      |
| ACKSTAT Status Flag   | 187      |
| ADCON0 Register   | 213      |
| GO/DONE Bit   | 215      |
| ADCON1 Register   | 213      |
| ADCON2 Register   | 213      |
| ADDLW   | 265      |
| Addressable Universal Synchronous Asynchronous Receiver Transmitter (USART) | 197      |
| ADDWF   | 265      |
| ADDWFC  | 266      |
| ADRESH Register   | 213, 215 |
| ADRESL Register   | 213, 215 |
| Analog-to-Digital Converter. See A/D.                                       |          |
| ANDLW   | 266      |
| ANDWF   | 267      |
| Assembler   |          |
| MPASM Assembler   | 302      |

### B

|                         |     |
|-------------------------|-----|
| Baud Rate Generator     | 183 |
| BC                      | 267 |
| BCF                     | 268 |
| BF Status Flag          | 187 |
| Block Diagrams          |     |
| 16-bit Byte Select Mode | 75  |
| 16-bit Byte Write Mode  | 73  |
| 16-bit Word Write Mode  | 74  |
| A/D                     | 216 |
| Analog Input Model      | 217 |

|  |     |
|--|-----|
| Baud Rate Generator                          | 183 |
| Capture Mode Operation                       | 151 |
| Comparator Analog Input Model                | 227 |
| Comparator I/O Operating Modes (Diagram)     | 224 |
| Comparator Output                            | 226 |
| Comparator Voltage Reference                 | 230 |
| Compare Mode Operation                       | 152 |
| Low-Voltage Detect (LVD)                     | 234 |
| Low-Voltage Detect (LVD) with External Input | 234 |
| MSSP (I <sup>2</sup> C Master Mode)          | 181 |
| MSSP (I <sup>2</sup> C Mode)                 | 166 |
| MSSP (SPI Mode)                              | 157 |
| On-Chip Reset Circuit                        | 29  |
| PIC18F6X20 Architecture                      | 9   |
| PIC18F8X20 Architecture                      | 10  |
| PLL  | 23  |
| PORT/LAT/TRIS Operation                      | 103 |
| PORTA  |     |
| RA3:RA0 and RA5 Pins                         | 104 |
| RA4/T0CKI Pin                                | 104 |
| RA6 Pin (as I/O)                             | 104 |
| PORTB  |     |
| RB2:RB0 Pins                                 | 107 |
| RB3 Pin                                      | 107 |
| RB7:RB4 Pins                                 | 106 |
| PORTC (Peripheral Output Override)           | 109 |
| PORTD and PORTE                              |     |
| Parallel Slave Port                          | 128 |
| PORTD in I/O Port Mode                       | 111 |
| PORTD in System Bus Mode                     | 112 |
| PORTE in I/O Mode                            | 115 |
| PORTE in System Bus Mode                     | 115 |
| PORTF  |     |
| RF1/AN6/C2OUT and RF2/AN5/C1OUT Pins         | 117 |
| RF6/RF3 and RF0 Pins                         | 118 |
| RF7 Pin                                      | 118 |
| PORTG (Peripheral Output Override)           | 120 |
| PORTH  |     |
| RH3:RH0 Pins in System Bus Mode              | 123 |
| RH3:RH0 Pins in I/O Mode                     | 122 |
| RH7:RH4 Pins in I/O Mode                     | 122 |
| PORTJ  |     |
| RJ4:RJ0 Pins in System Bus Mode              | 126 |
| RJ7:RJ6 Pins in System Bus Mode              | 126 |
| PORTJ in I/O Mode                            | 125 |
| PWM Operation (Simplified)                   | 154 |
| Reads from Flash Program Memory              | 65  |
| Single Comparator                            | 225 |
| Table Read Operation                         | 61  |
| Table Write Operation                        | 62  |
| Table Writes to Flash Program Memory         | 67  |
| Timer0 in 16-bit Mode                        | 132 |
| Timer0 in 8-bit Mode                         | 132 |
| Timer1                                       | 136 |
| Timer1 (16-bit R/W Mode)                     | 136 |
| Timer2                                       | 142 |
| Timer3                                       | 144 |
| Timer3 in 16-bit R/W Mode                    | 144 |
| Timer4                                       | 148 |
| USART Receive                                | 206 |
| USART Transmit                               | 204 |
| Voltage Reference Output Buffer Example      | 231 |

# PIC18F6520/8520/6620/8620/6720/8720

|  |          |   |               |
|--|----------|---|---------------|
| Watchdog Timer .....                                   | 251      | Loading the SSPBUF (SSPSR) Register .....       | 160           |
| BN .....   | 268      | Reading a Flash Program Memory Word .....       | 65            |
| BNC .....  | 269      | Saving Status, WREG and BSR Registers in RAM .. | 102           |
| BNN .....  | 269      | Writing to Flash Program Memory .....           | 68–69         |
| BNOV .....   | 270      | Code Protection .....                           | 239           |
| BNZ .....  | 270      | COMF .....                                      | 276           |
| BOR. See Brown-out Reset.                              |          | Comparator .....                                | 223           |
| BOV .....  | 273      | Analog Input Connection Considerations .....    | 227           |
| BRA .....  | 271      | Associated Registers .....                      | 228           |
| BRG. See Baud Rate Generator.                          |          | Configuration .....                             | 224           |
| Brown-out Reset (BOR) .....                            | 30       | Effects of a Reset .....                        | 227           |
| BSF .....  | 271      | Interrupts .....                                | 226           |
| BTFSC .....  | 272      | Operation .....                                 | 225           |
| BTFSS .....  | 272      | Operation During Sleep .....                    | 227           |
| BTG .....  | 273      | Outputs .....                                   | 225           |
| BZ .....   | 274      | Reference .....                                 | 225           |
| <b>C</b>   |          | External Signal .....                           | 225           |
| C Compilers  |          | Internal Signal .....                           | 225           |
| MPLAB C18 .....  | 302      | Response Time .....                             | 225           |
| CALL .....   | 274      | Comparator Specifications .....                 | 315           |
| Capture (CCP Module) .....                             | 151      | Comparator Voltage Reference .....              | 229           |
| Associated Registers .....                             | 153      | Accuracy and Error .....                        | 230           |
| CCP Pin Configuration .....                            | 151      | Associated Registers .....                      | 231           |
| CCPR1H:CCPR1L Registers .....                          | 151      | Configuring .....                               | 229           |
| Software Interrupt .....                               | 151      | Connection Considerations .....                 | 230           |
| Timer1/Timer3 Mode Selection .....                     | 151      | Effects of a Reset .....                        | 230           |
| Capture/Compare/PWM (CCP) .....                        | 149      | Operation During Sleep .....                    | 230           |
| Capture Mode. See Capture.                             |          | Compare (CCP Module) .....                      | 152           |
| CCP Mode and Timer Resources .....                     | 150      | Associated Registers .....                      | 153           |
| CCPRxH Register .....                                  | 150      | CCP Pin Configuration .....                     | 152           |
| CCPRxL Register .....                                  | 150      | CCPR1 Register .....                            | 152           |
| Compare Mode. See Compare.                             |          | Software Interrupt .....                        | 152           |
| Interconnect Configurations .....                      | 150      | Special Event Trigger .....                     | 138, 145, 152 |
| Module Configuration .....                             | 150      | Timer1/Timer3 Mode Selection .....              | 152           |
| PWM Mode. See PWM.                                     |          | Compare (CCP2 Module)                           |               |
| Capture/Compare/PWM Requirements (All CCP Modules) ... | 327      | Special Event Trigger .....                     | 220           |
| CLKO and I/O Timing Requirements .....                 | 322, 323 | Configuration Bits .....                        | 239           |
| Clocking Scheme/Instruction Cycle .....                | 44       | Context Saving During Interrupts .....          | 102           |
| CLRF .....   | 275      | Control Registers                               |               |
| CLRWDT .....   | 275      | EECON1 and EECON2 .....                         | 62            |
| Code Examples  |          | TABLAT (Table Latch) Register .....             | 64            |
| 16 x 16 Signed Multiply Routine .....                  | 86       | TBLPTR (Table Pointer) Register .....           | 64            |
| 16 x 16 Unsigned Multiply Routine .....                | 86       | Conversion Considerations .....                 | 362           |
| 8 x 8 Signed Multiply Routine .....                    | 85       | CPFSEQ .....                                    | 276           |
| 8 x 8 Unsigned Multiply Routine .....                  | 85       | CPFSGT .....                                    | 277           |
| Changing Between Capture Prescalers .....              | 151      | CPFSLT .....                                    | 277           |
| Data EEPROM Read .....                                 | 81       | Customer Change Notification Service .....      | 375           |
| Data EEPROM Refresh Routine .....                      | 82       | Customer Notification Service .....             | 375           |
| Data EEPROM Write .....                                | 81       | Customer Support .....                          | 375           |
| Erasing a Flash Program Memory Row .....               | 66       | <b>D</b>  |               |
| Fast Register Stack .....                              | 44       | Data EEPROM Memory                              |               |
| How to Clear RAM (Bank 1) Using Indirect Addressing .  | 57       | Associated Registers .....                      | 83            |
| Implementing a Real-Time Clock using a Timer1 Inter-   |          | EEADR Register .....                            | 79            |
| rupt Service .....                                     | 139      | EEADRH Register .....                           | 79            |
| Initializing PORTA .....                               | 103      | EECON1 Register .....                           | 79            |
| Initializing PORTB .....                               | 106      | EECON2 Register .....                           | 79            |
| Initializing PORTC .....                               | 109      | Operation During Code-Protect .....             | 82            |
| Initializing PORTD .....                               | 111      | Protection Against Spurious Write .....         | 82            |
| Initializing PORTE .....                               | 114      | Reading .....                                   | 81            |
| Initializing PORTF .....                               | 117      | Using .....                                     | 82            |
| Initializing PORTG .....                               | 120      | Write Verify .....                              | 82            |
| Initializing PORTH .....                               | 122      | Writing .....                                   | 81            |
| Initializing PORTJ .....                               | 125      | Data Memory .....                               | 47            |
|  |          | General Purpose Registers .....                 | 47            |
|  |          | Map for PIC18FX520 Devices .....                | 48            |

# PIC18F6520/8520/6620/8620/6720/8720

|   |     |  |          |
|---|-----|--|----------|
| Map for PIC18FX620/X720 Devices .....                   | 49  | Operation .....  | 85       |
| Special Function Registers .....                        | 47  | Performance Comparison .....   | 85       |
| DAW .....   | 278 | HS/PLL .....   | 23       |
| DC and AC Characteristics                               |     | <b>I</b>   |          |
| Graphs and Tables .....                                 | 341 | I/O Ports .....  | 103      |
| DC Characteristics                                      |     | I <sup>2</sup> C Bus Data Requirements (Slave Mode) .....            | 334      |
| PIC18FXX20 (Industrial and Extended), PIC18LFXX20       |     | I <sup>2</sup> C Bus Start/Stop Bits Requirements (Slave Mode) ..... | 333      |
| (Industrial) .....                                      | 313 | I <sup>2</sup> C Mode  |          |
| Power-Down and Supply Current .....                     | 309 | General Call Address Support .....                                   | 180      |
| Supply Voltage .....                                    | 308 | Master Mode  |          |
| DCFSNZ .....  | 279 | Operation .....  | 182      |
| DECF .....  | 278 | Read/Write Bit Information (R/W Bit) .....                           | 170, 171 |
| DECFSZ .....  | 279 | Serial Clock (RC3/SCK/SCL) .....                                     | 171      |
| Development Support .....                               | 301 | ID Locations .....   | 239, 257 |
| Device Differences .....                                | 361 | INCF .....   | 280      |
| Direct Addressing .....                                 | 58  | INCFSZ .....   | 281      |
| Direct Addressing .....                                 | 56  | In-Circuit Debugger .....  | 257      |
| <b>E</b>  |     | Resources (Table) .....  | 257      |
| Electrical Characteristics .....                        | 305 | In-Circuit Serial Programming (ICSP) .....                           | 239, 257 |
| Errata .....  | 5   | Indirect Addressing .....  | 58       |
| Example SPI Mode Requirements (Master Mode, CKE = 0) .  |     | INDF and FSR Registers .....   | 57       |
| 329   |     | Operation .....  | 57       |
| Example SPI Mode Requirements (Master Mode, CKE = 1) .  |     | Indirect Addressing Operation .....                                  | 58       |
| 330   |     | Indirect File Operand .....  | 47       |
| Example SPI Mode Requirements (Slave Mode, CKE = 0) ... |     | INFSNZ .....   | 281      |
| 331   |     | Instruction Cycle .....  | 44       |
| Example SPI Slave Mode Requirements (CKE = 1) .....     | 332 | Instruction Flow/Pipelining .....                                    | 45       |
| Extended Microcontroller Mode .....                     | 71  | Instruction Format .....   | 261      |
| External Clock Timing Requirements .....                | 320 | Instruction Set .....  | 259      |
| External Memory Interface .....                         | 71  | ADDLW .....  | 265      |
| 16-bit Byte Select Mode .....                           | 75  | ADDWF .....  | 265      |
| 16-bit Byte Write Mode .....                            | 73  | ADDWFC .....   | 266      |
| 16-bit Mode .....                                       | 73  | ANDLW .....  | 266      |
| 16-bit Mode Timing .....                                | 76  | ANDWF .....  | 267      |
| 16-bit Word Write Mode .....                            | 74  | BC .....   | 267      |
| PIC18F8X20 External Bus - I/O Port Functions .....      | 72  | BCF .....  | 268      |
| Program Memory Modes and External Memory Interface      |     | BN .....   | 268      |
| .....   | 71  | BNC .....  | 269      |
|   |     | BNN .....  | 269      |
|   |     | BNOV .....   | 270      |
|   |     | BNZ .....  | 270      |
|   |     | BOV .....  | 273      |
|   |     | BRA .....  | 271      |
|   |     | BSF .....  | 271      |
|   |     | BTFSC .....  | 272      |
|   |     | BTFSS .....  | 272      |
|   |     | BTG .....  | 273      |
|   |     | BZ .....   | 274      |
|   |     | CALL .....   | 274      |
|   |     | CLRf .....   | 275      |
|   |     | CLRWDt .....   | 275      |
|   |     | COMF .....   | 276      |
|   |     | CPFSEQ .....   | 276      |
|   |     | CPFSGT .....   | 277      |
|   |     | CPFSLT .....   | 277      |
|   |     | DAW .....  | 278      |
|   |     | DCFSNZ .....   | 279      |
|   |     | DECF .....   | 278      |
|   |     | DECFSZ .....   | 279      |
|   |     | GOTO .....   | 280      |
|   |     | INCF .....   | 280      |
|   |     | INCFSZ .....   | 281      |
|   |     | INFSNZ .....   | 281      |
|   |     | IORLW .....  | 282      |
|   |     | IORWF .....  | 282      |
| <b>F</b>  |     |  |          |
| Firmware Instructions .....                             | 259 |  |          |
| Flash Program Memory .....                              | 61  |  |          |
| Associated Registers .....                              | 69  |  |          |
| Control Registers .....                                 | 62  |  |          |
| Erase Sequence .....                                    | 66  |  |          |
| Erasing .....   | 66  |  |          |
| Operation During Code-Protect .....                     | 69  |  |          |
| Reading .....   | 65  |  |          |
| Table Pointer   |     |  |          |
| Boundaries Based on Operation .....                     | 64  |  |          |
| Table Pointer Boundaries .....                          | 64  |  |          |
| Table Reads and Table Writes .....                      | 61  |  |          |
| Write Sequence .....                                    | 67  |  |          |
| Writing To .....  | 67  |  |          |
| Protection Against Spurious Writes .....                | 69  |  |          |
| Unexpected Termination .....                            | 69  |  |          |
| Write Verify .....                                      | 69  |  |          |
| <b>G</b>  |     |  |          |
| General Call Address Support .....                      | 180 |  |          |
| GOTO .....  | 280 |  |          |
| <b>H</b>  |     |  |          |
| Hardware Multiplier .....                               | 85  |  |          |
| Introduction .....                                      | 85  |  |          |

# PIC18F6520/8520/6620/8620/6720/8720

|  |          |  |          |
|--|----------|--|----------|
| LFSR .....                                     | 283      | Easy Migration .....   | 7        |
| MOVF .....                                     | 283      | Expanded Memory .....  | 7        |
| MOVFF .....                                    | 284      | External Memory Interface .....                                    | 7        |
| MOVLB .....                                    | 284      | Other Special Features .....                                       | 7        |
| MOVLW .....                                    | 285      |  |          |
| MOVWF .....                                    | 285      | <b>L</b>   |          |
| MULLW .....                                    | 286      | LFSR .....   | 283      |
| MULWF .....                                    | 286      | Low-Voltage Detect .....   | 233      |
| NEGF .....                                     | 287      | Characteristics .....  | 316      |
| NOP .....                                      | 287      | Converter Characteristics .....                                    | 316      |
| POP .....                                      | 288      | Effects of a Reset .....   | 237      |
| PUSH .....                                     | 288      | Operation .....  | 236      |
| RCALL .....                                    | 289      | Current Consumption .....  | 237      |
| RESET .....                                    | 289      | During Sleep .....   | 237      |
| RETFIE .....                                   | 290      | Reference Voltage Set Point .....                                  | 237      |
| RETLW .....                                    | 290      | Typical Application .....  | 233      |
| RETURN .....                                   | 291      | Low-Voltage ICSP Programming .....                                 | 257      |
| RLCF .....                                     | 291      | LVD. See Low-Voltage Detect. ....                                  | 233      |
| RLNCF .....                                    | 292      |  |          |
| RRCF .....                                     | 292      | <b>M</b>   |          |
| RRNCF .....                                    | 293      | Master SSP (MSSP) Module   |          |
| SETF .....                                     | 293      | Overview .....   | 157      |
| SLEEP .....                                    | 294      | Master SSP I <sup>2</sup> C Bus Data Requirements .....            | 336      |
| SUBFWB .....                                   | 294      | Master SSP I <sup>2</sup> C Bus Start/Stop Bits Requirements ..... | 335      |
| SUBLW .....                                    | 295      | Master Synchronous Serial Port (MSSP). See MSSP.                   |          |
| SUBWF .....                                    | 295      | Master Synchronous Serial Port. See MSSP                           |          |
| SUBWFB .....                                   | 296      | Memory Organization  |          |
| SWAPF .....                                    | 296      | Data Memory .....  | 47       |
| TBLRD .....                                    | 297      | Memory Programming Requirements .....                              | 317      |
| TBLWT .....                                    | 298      | Microchip Internet Web Site .....                                  | 375      |
| TSTFSZ .....                                   | 299      | Microcontroller Mode .....   | 71       |
| XORLW .....                                    | 299      | Microprocessor Mode .....  | 71       |
| XORWF .....                                    | 300      | Microprocessor with Boot Block Mode .....                          | 71       |
| Summary Table .....                            | 262      | Migration from High-End to Enhanced Devices .....                  | 363      |
| INT Interrupt (RB0/INT). See Interrupt Sources |          | Migration from Mid-Range to Enhanced Devices .....                 | 362      |
| INTCON Registers .....                         | 89       | MOVF .....   | 283      |
| Inter-Integrated Circuit. See I <sup>2</sup> C |          | MOVFF .....  | 284      |
| Internet Address .....                         | 375      | MOVLB .....  | 284      |
| Interrupt Sources .....                        | 239      | MOVLW .....  | 285      |
| A/D Conversion Complete .....                  | 217      | MOVWF .....  | 285      |
| Capture Complete (CCP) .....                   | 151      | MPLAB ASM30 Assembler, Linker, Librarian .....                     | 302      |
| Compare Complete (CCP) .....                   | 152      | MPLAB Integrated Development Environment Software .....            | 301      |
| INT0 .....                                     | 102      | MPLAB PM3 Device Programmer .....                                  | 304      |
| Interrupt-on-Change (RB7:RB4) .....            | 106      | MPLAB REAL ICE In-Circuit Emulator System .....                    | 303      |
| PORTB, Interrupt-on-Change .....               | 102      | MPLINK Object Linker/MPLIB Object Librarian .....                  | 302      |
| RB0/INT Pin, External .....                    | 102      | MSSP .....   | 157      |
| TMR0 .....                                     | 102      | ACK Pulse .....  | 170, 171 |
| TMR0 Overflow .....                            | 133      | Clock Stretching .....   | 176      |
| TMR1 Overflow .....                            | 135, 138 | 10-bit Slave Receive Mode (SEN = 1) .....                          | 176      |
| TMR2 to PR2 Match .....                        | 142      | 10-bit Slave Transmit Mode .....                                   | 176      |
| TMR2 to PR2 Match (PWM) .....                  | 141, 154 | 7-bit Slave Receive Mode (SEN = 1) .....                           | 176      |
| TMR3 Overflow .....                            | 143, 145 | 7-bit Slave Transmit Mode .....                                    | 176      |
| TMR4 to PR4 Match .....                        | 148      | Clock Synchronization and the CKP bit .....                        | 177      |
| TMR4 to PR4 Match (PWM) .....                  | 147      | Control Registers (general) .....                                  | 157      |
| Interrupts .....                               | 87       | Enabling SPI I/O .....   | 161      |
| Control Registers .....                        | 89       | I <sup>2</sup> C Mode .....  | 166      |
| Enable Registers .....                         | 95       | Acknowledge Sequence Timing .....                                  | 190      |
| Flag Registers .....                           | 92       | Baud Rate Generator .....  | 183      |
| Logic .....                                    | 88       | Bus Collision  |          |
| Priority Registers .....                       | 98       | During a Repeated Start Condition .....                            | 194      |
| Reset Control Registers .....                  | 101      | Bus Collision During a Start Condition .....                       | 192      |
| IORLW .....                                    | 282      | Bus Collision During a Stop Condition .....                        | 195      |
| IORWF .....                                    | 282      | Clock Arbitration .....  | 184      |
| IPR Registers .....                            | 98       | Effect of a Reset .....  | 191      |
| <b>K</b>                                       |          | I <sup>2</sup> C Clock Rate w/BRG .....                            | 183      |
| Key Features                                   |          | Master Mode .....  | 181      |
|  |          | Reception .....  | 187      |



# PIC18F6520/8520/6620/8620/6720/8720

|   |               |   |          |
|---|---------------|---|----------|
| Repeated Start Timing .....                                     | 186           | RE1 $\overline{WR}$ /AN6 Pin .....                  | 128      |
| Master Mode Start Condition .....                               | 185           | RE2 $\overline{CS}$ /AN7 Pin .....                  | 128      |
| Master Mode Transmission .....                                  | 187           | Read Waveforms .....                                | 130      |
| Multi-Master Communication, Bus Collision and Arbitration ..... | 191           | Select (PSPMODE Bit) .....                          | 111, 128 |
| Multi-Master Mode .....   | 191           | Write Waveforms .....                               | 129      |
| Registers .....   | 166           | Parallel Slave Port Requirements (PIC18F8X20) ..... | 328      |
| Sleep Operation .....   | 191           | PIE Registers .....                                 | 95       |
| Stop Condition Timing .....                                     | 190           | Pin Functions                                       |          |
| I <sup>2</sup> C Mode. See I <sup>2</sup> C                     |               | AVDD .....  | 20       |
| Module Operation .....  | 170           | AVss .....  | 20       |
| Operation .....   | 160           | MCLR/VPP .....                                      | 11       |
| Slave Mode .....  | 170           | OSC1/CLKI .....                                     | 11       |
| Addressing .....  | 170           | OSC2/CLKO/RA6 .....                                 | 11       |
| Reception .....   | 171           | RA0/AN0 .....                                       | 12       |
| Transmission .....  | 171           | RA1/AN1 .....                                       | 12       |
| SPI   |               | RA2/AN2/VREF- .....                                 | 12       |
| Master Mode .....   | 162           | RA3/AN3/VREF+ .....                                 | 12       |
| SPI Clock .....   | 162           | RA4/T0CKI .....                                     | 12       |
| SPI Master Mode .....   | 162           | RA5/AN4/LVDIN .....                                 | 12       |
| SPI Mode .....  | 157           | RA6 .....   | 12       |
| SPI Mode. See SPI   |               | RB0/INT0 .....                                      | 13       |
| SPI Slave Mode .....  | 163           | RB1/INT1 .....                                      | 13       |
| Select Synchronization .....                                    | 163           | RB2/INT2 .....                                      | 13       |
| SSPBUF Register .....   | 162           | RB3/INT3/CCP2 .....                                 | 13       |
| SSPSR Register .....  | 162           | RB4/KBI0 .....                                      | 13       |
| Typical Connection .....  | 161           | RB5/KBI1/PGM .....                                  | 13       |
| MSSP Module   |               | RB6/KBI2/PGC .....                                  | 13       |
| SPI Master./Slave Connection .....                              | 161           | RB7/KBI3/PGD .....                                  | 13       |
| MULLW .....   | 286           | RC0/T1OSO/T13CKI .....                              | 14       |
| MULWF .....   | 286           | RC1/T1OSI/CCP2 .....                                | 14       |
|   |               | RC2/CCP1 .....                                      | 14       |
| <b>N</b>  |               | RC3/SCK/SCL .....                                   | 14       |
| NEGF .....  | 287           | RC4/SDI/SDA .....                                   | 14       |
| NOP .....   | 287           | RC5/SDO .....                                       | 14       |
|   |               | RC6/TX1/CK1 .....                                   | 14       |
| <b>O</b>  |               | RC7/RX1/DT1 .....                                   | 14       |
| Opcode Field Descriptions .....                                 | 260           | RD0/PSP0/AD0 .....                                  | 15       |
| OPTION_REG Register   |               | RD1/PSP1/AD1 .....                                  | 15       |
| PSA Bit .....   | 133           | RD2/PSP2/AD2 .....                                  | 15       |
| T0CS Bit .....  | 133           | RD3/PSP3/AD3 .....                                  | 15       |
| T0PS2:T0PS0 Bits .....  | 133           | RD4/PSP4/AD4 .....                                  | 15       |
| T0SE Bit .....  | 133           | RD5/PSP5/AD5 .....                                  | 15       |
| Oscillator Configuration .....                                  | 21            | RD6/PSP6/AD6 .....                                  | 15       |
| EC .....  | 21            | RD7/PSP7/AD7 .....                                  | 15       |
| ECIO .....  | 21            | RE0/ $\overline{RD}$ /AD8 .....                     | 16       |
| HS .....  | 21            | RE1/ $\overline{WR}$ /AD9 .....                     | 16       |
| HS + PLL .....  | 21            | RE2/ $\overline{CS}$ /AD10 .....                    | 16       |
| LP .....  | 21            | RE3/AD11 .....                                      | 16       |
| RC .....  | 21            | RE4/AD12 .....                                      | 16       |
| RCIO .....  | 21            | RE5/AD13 .....                                      | 16       |
| XT .....  | 21            | RE6/AD14 .....                                      | 16       |
| Oscillator Selection .....                                      | 239           | RE7/CCP2/AD15 .....                                 | 16       |
| Oscillator Switching Feature .....                              | 24            | RF0/AN5 .....                                       | 17       |
| Oscillator Transitions .....                                    | 26            | RF1/AN6/C2OUT .....                                 | 17       |
| System Clock Switch Bit .....                                   | 25            | RF2/AN7/C1OUT .....                                 | 17       |
| Oscillator, Timer1 .....  | 135, 137, 145 | RF3/AN8 .....                                       | 17       |
| Oscillator, Timer3 .....  | 143           | RF4/AN9 .....                                       | 17       |
| Oscillator, WDT .....   | 250           | RF5/AN10/CVREF .....                                | 17       |
|   |               | RF6/AN11 .....                                      | 17       |
| <b>P</b>  |               | RF7/ $\overline{SS}$ .....                          | 17       |
| Packaging Information .....                                     | 355           | RG0/CCP3 .....                                      | 18       |
| Details .....   | 356           | RG1/TX2/CK2 .....                                   | 18       |
| Marking .....   | 355           | RG2/RX2/DT2 .....                                   | 18       |
| Parallel Slave Port (PSP) .....                                 | 111, 128      | RG3/CCP4 .....                                      | 18       |
| Associated Registers .....                                      | 130           | RG4/CCP5 .....                                      | 18       |
| RE0/ $\overline{RD}$ /AN5 Pin .....                             | 128           | RH0/A16 .....                                       | 19       |

# PIC18F6520/8520/6620/8620/6720/8720

|  |          |   |          |
|--|----------|---|----------|
| RH1/A17 .....                            | 19       | PORTF Register .....                            | 117      |
| RH2/A18 .....                            | 19       | TRISF Register .....                            | 117      |
| RH3/A19 .....                            | 19       | PORTG   |          |
| RH4/AN12 .....                           | 19       | Associated Registers .....                      | 121      |
| RH5/AN13 .....                           | 19       | Functions .....                                 | 121      |
| RH6/AN14 .....                           | 19       | LATG Register .....                             | 120      |
| RH7/AN15 .....                           | 19       | PORTG Register .....                            | 120      |
| RJ0/ALE .....                            | 20       | TRISG Register .....                            | 120, 197 |
| RJ1/OE .....                             | 20       | PORTH   |          |
| RJ2/WRL .....                            | 20       | Associated Registers .....                      | 124      |
| RJ3/WRH .....                            | 20       | Functions .....                                 | 124      |
| RJ4/BA0 .....                            | 20       | LATH Register .....                             | 122      |
| RJ5/CE .....                             | 20       | PORTH Register .....                            | 122      |
| RJ6/LB .....                             | 20       | TRISH Register .....                            | 122      |
| RJ7/UB .....                             | 20       | PORTJ   |          |
| VDD .....                                | 20       | Associated Registers .....                      | 127      |
| Vss .....                                | 20       | Functions .....                                 | 127      |
| PIR Registers .....                      | 92       | LATJ Register .....                             | 125      |
| PLL Clock Timing Specifications .....    | 321      | PORTJ Register .....                            | 125      |
| PLL Lock Time-out .....                  | 30       | TRISJ Register .....                            | 125      |
| Pointer, FSR .....                       | 57       | Postscaler, WDT                                 |          |
| POP .....                                | 288      | Assignment (PSA Bit) .....                      | 133      |
| POR. See Power-on Reset.                 |          | Rate Select (T0PS2:T0PS0 Bits) .....            | 133      |
| PORTA                                    |          | Switching Between Timer0 and WDT .....          | 133      |
| Associated Registers .....               | 105      | Power-down Mode. See Sleep.                     |          |
| Functions .....                          | 105      | Power-on Reset (POR) .....                      | 30       |
| LATA Register .....                      | 103      | Oscillator Start-up Timer (OST) .....           | 30       |
| PORTA Register .....                     | 103      | Power-up Timer (PWRT) .....                     | 30       |
| TRISA Register .....                     | 103      | Time-out Sequence .....                         | 30       |
| PORTB                                    |          | Prescaler, Capture .....                        | 151      |
| Associated Registers .....               | 108      | Prescaler, Timer0 .....                         | 133      |
| Functions .....                          | 108      | Assignment (PSA Bit) .....                      | 133      |
| LATB Register .....                      | 106      | Rate Select (T0PS2:T0PS0 Bits) .....            | 133      |
| PORTB Register .....                     | 106      | Switching Between Timer0 and WDT .....          | 133      |
| RB0/INT Pin, External .....              | 102      | Prescaler, Timer2 .....                         | 154      |
| TRISB Register .....                     | 106      | Product Identification System .....             | 377      |
| PORTC                                    |          | Program Counter                                 |          |
| Associated Registers .....               | 110      | PCL, PCLATH and PCLATU Registers .....          | 44       |
| Functions .....                          | 110      | Program Memory .....                            | 39       |
| LATC Register .....                      | 109      | Access for PIC18F8X20 Program Memory Modes .... | 40       |
| PORTC Register .....                     | 109      | Instructions .....                              | 45       |
| RC3/SCK/SCL Pin .....                    | 171      | Interrupt Vector .....                          | 39       |
| TRISC Register .....                     | 109, 197 | Map and Stack for PIC18FXX20 .....              | 40       |
| PORTD .....                              | 128      | Maps for PIC18F8X20 Program Memory Modes .....  | 41       |
| Associated Registers .....               | 113      | PIC18F8X20 Modes .....                          | 39       |
| Functions .....                          | 113      | Reset Vector .....                              | 39       |
| LATD Register .....                      | 111      | Program Memory Write Timing Requirements .....  | 324      |
| Parallel Slave Port (PSP) Function ..... | 111      | Program Verification and Code Protection .....  | 253      |
| PORTD Register .....                     | 111      | Associated Registers .....                      | 253      |
| TRISD Register .....                     | 111      | Configuration Register Protection .....         | 257      |
| PORTE                                    |          | Data EEPROM Code Protection .....               | 257      |
| Analog Port Pins .....                   | 128      | Memory Code Protection .....                    | 255      |
| Associated Registers .....               | 116      | Programming, Device Instructions .....          | 259      |
| Functions .....                          | 116      | PSP. See Parallel Slave Port.                   |          |
| LATE Register .....                      | 114      | Pulse Width Modulation. See PWM (CCP Module).   |          |
| PORTE Register .....                     | 114      | PUSH .....                                      | 288      |
| PSP Mode Select (PSPMODE Bit) .....      | 111, 128 | PWM (CCP Module) .....                          | 154      |
| RE0/RD/AN5 Pin .....                     | 128      | Associated Registers .....                      | 155      |
| RE1/WR/AN6 Pin .....                     | 128      | CCPR1H:CCPR1L Registers .....                   | 154      |
| RE2/CS/AN7 Pin .....                     | 128      | Duty Cycle .....                                | 154      |
| TRISE Register .....                     | 114      | Example Frequencies/Resolutions .....           | 155      |
| PORTF                                    |          | Period .....                                    | 154      |
| Associated Registers .....               | 119      | Setup for PWM Operation .....                   | 155      |
| Functions .....                          | 119      | TMR2 to PR2 Match .....                         | 141, 154 |
| LATF Register .....                      | 117      | TMR4 to PR4 Match .....                         | 147      |

# PIC18F6520/8520/6620/8620/6720/8720

## Q

Q Clock ..... 154

## R

RAM. See Data Memory

RC Oscillator ..... 22

RCALL ..... 289

RCON Registers ..... 101

RCSTA Register

    SPEN Bit ..... 197

Reader Response ..... 376

Register File ..... 47

Registers

    ADCON0 (A/D Control 0) ..... 213

    ADCON1 (A/D Control 1) ..... 214

    ADCON2 (A/D Control 2) ..... 215

    CCPxCON (Capture/Compare/PWM Control) ..... 149

    CMCON (Comparator Control) ..... 223

    CONFIG1H (Configuration 1 High) ..... 240

    CONFIG2H (Configuration 2 High) ..... 241

    CONFIG2L (Configuration 2 Low) ..... 241

    CONFIG3H (Configuration 3 High) ..... 242

    CONFIG3L (Configuration 3 Low) ..... 242

    CONFIG3L (Configuration Byte) ..... 41

    CONFIG4L (Configuration 4 Low) ..... 243

    CONFIG5H (Configuration 5 High) ..... 245

    CONFIG5L (Configuration 5 Low) ..... 244

    CONFIG6H (Configuration 6 High) ..... 247

    CONFIG6L (Configuration 6 Low) ..... 246

    CONFIG7H (Configuration 7 High) ..... 249

    CONFIG7L (Configuration 7 Low) ..... 248

    CVRCON (Comparator Voltage Reference Control) ..... 229

    Device ID 1 ..... 249

    Device ID 2 ..... 249

    EECON1 (Data EEPROM Control 1) ..... 63, 80

    INTCON (Interrupt Control) ..... 89

    INTCON2 (Interrupt Control 2) ..... 90

    INTCON3 (Interrupt Control 3) ..... 91

    IPR1 (Peripheral Interrupt Priority 1) ..... 98

    IPR2 (Peripheral Interrupt Priority 2) ..... 99

    IPR3 (Peripheral Interrupt Priority 3) ..... 100

    LVDCON (Low-Voltage Detect Control) ..... 235

    MEMCON (Memory Control) ..... 71

    OSCCON ..... 25

    PIE1 (Peripheral Interrupt Enable 1) ..... 95

    PIE2 (Peripheral Interrupt Enable 2) ..... 96

    PIE3 (Peripheral Interrupt Enable 3) ..... 97

    PIR1 (Peripheral Interrupt Request 1) ..... 92

    PIR2 (Peripheral Interrupt Request 2) ..... 93

    PIR3 (Peripheral Interrupt Request 3) ..... 94

    PSPCON (Parallel Slave Port Control) Register ..... 129

    RCON ..... 31

    RCON (Reset Control) ..... 60, 101

    RCSTAx (Receive Status and Control) ..... 199

    SSPCON2 (MSSP Control 2, I<sup>2</sup>C Mode) ..... 169

    SSPSTAT (MSSP Status, I<sup>2</sup>C Mode) ..... 167

    SSPSTAT (MSSP Status, SPI Mode) ..... 158

    Statis ..... 59

    STKPTR (Stack Pointer) ..... 43

    Summary ..... 52–55

    T1CON (Timer 1 Control) ..... 135

    T3CON (Timer3 Control) ..... 143

    TXSTAx (Transmit Status and Control) ..... 198

    WDTCON (Watchdog Timer Control) ..... 250

RESET ..... 289

Reset ..... 29, 239

Brown-out Reset (BOR) ..... 239

MCLR Reset ..... 29

MCLR Reset during Sleep ..... 29

Oscillator Start-up Timer (OST) ..... 239

Power-on Reset (POR) ..... 29, 239

Power-up Timer (PWRT) ..... 239

Programmable Brown-out Reset (PBOR) ..... 29

Reset Instruction ..... 29

Stack Full Reset ..... 29

Stack Underflow Reset ..... 29

Watchdog Timer (WDT) Reset ..... 29

Reset, Watchdog Timer, Oscillator Start-up Timer, Power-up

    Timer and Brown-out Reset Requirements ..... 325

RETFIE ..... 290

RETLW ..... 290

RETURN ..... 291

Return Address Stack

    and Associated Registers ..... 43

Revision History ..... 361

RLCF ..... 291

RLNCF ..... 292

RRCF ..... 292

RRNCF ..... 293

## S

SCI. See USART

SCK ..... 157

SDI ..... 157

SDO ..... 157

Serial Clock, SCK ..... 157

Serial Communication Interface. See USART.

Serial Data In, SDI ..... 157

Serial Data Out, SDO ..... 157

Serial Peripheral Interface. See SPI

SETF ..... 293

Slave Select,  $\overline{SS}$  ..... 157

SLEEP ..... 294

Sleep ..... 239, 252

Software Simulator (MPLAB SIM) ..... 303

Special Event Trigger. See Compare

Special Features of the CPU ..... 239

    Configuration Registers ..... 240–249

Special Function Registers ..... 47

    Map ..... 50

SPI

    Serial Clock ..... 157

    Serial Data In ..... 157

    Serial Data Out ..... 157

    Slave Select ..... 157

    SPI Mode ..... 157

SPI Master/Slave Connection ..... 161

SPI Module

    Associated Registers ..... 165

    Bus Mode Compatibility ..... 165

    Effects of a Reset ..... 165

    Master/Slave Connection ..... 161

    Slave Mode ..... 163

    Sleep Operation ..... 165

$\overline{SS}$  ..... 157

SSP

    TMR2 Output for Clock Shift ..... 141, 142

    TMR4 Output for Clock Shift ..... 148

SSPOV Status Flag ..... 187

SSPSTAT Register

    R/W Bit ..... 170, 171

Status Bits

    Significance and Initialization Condition for RCON Reg-

# PIC18F6520/8520/6620/8620/6720/8720

|  |               |  |     |
|--|---------------|--|-----|
| ister .....  | 31            | Bus Collision During a Repeated Start Condition (Case 2) .....                               | 194 |
| SUBFWB .....   | 294           | Bus Collision During a Stop Condition (Case 1) .....   | 195 |
| SUBLW .....  | 295           | Bus Collision During a Stop Condition (Case 2) .....   | 195 |
| SUBWF .....  | 295           | Bus Collision During Start Condition (SCL = 0) .....   | 193 |
| SUBWFB .....   | 296           | Bus Collision During Start Condition (SDA only) .....  | 192 |
| SWAPF .....  | 296           | Bus Collision for Transmit and Acknowledge .....   | 191 |
| <b>T</b>   |               |  |     |
| Table Pointer Operations (table) .....                         | 64            | Capture/Compare/PWM (All CCP Modules) .....  | 326 |
| TBLRD .....  | 297           | CLKO and I/O .....   | 321 |
| TBLWT .....  | 298           | Clock Synchronization .....  | 177 |
| Time-out in Various Situations .....                           | 31            | Clock/Instruction Cycle .....  | 44  |
| Timer0 .....   | 131           | Example SPI Master Mode (CKE = 0) .....  | 328 |
| 16-bit Mode Timer Reads and Writes .....                       | 133           | Example SPI Master Mode (CKE = 1) .....  | 329 |
| Associated Registers .....                                     | 133           | Example SPI Slave Mode (CKE = 0) .....   | 330 |
| Clock Source Edge Select (T0SE Bit) .....                      | 133           | Example SPI Slave Mode (CKE = 1) .....   | 331 |
| Clock Source Select (T0CS Bit) .....                           | 133           | External Clock (All Modes except PLL) .....  | 320 |
| Operation .....  | 133           | External Memory Bus for Sleep (Microprocessor Mode) .....                                    | 77  |
| Overflow Interrupt .....                                       | 133           | External Memory Bus for TBLRD (Extended Microcontroller Mode) .....                          | 76  |
| Prescaler. <i>See</i> Prescaler, Timer0                        |               | External Memory Bus for TBLRD (Microprocessor Mode) .....                                    | 76  |
| Timer0 and Timer1 External Clock Requirements .....            | 326           | I <sup>2</sup> C Bus Data .....  | 333 |
| Timer1 .....   | 135           | I <sup>2</sup> C Bus Start/Stop Bits .....   | 332 |
| 16-bit Read/Write Mode .....                                   | 138           | I <sup>2</sup> C Master Mode (7 or 10-bit Transmission) .....                                | 188 |
| Associated Registers .....                                     | 139           | I <sup>2</sup> C Master Mode (7-bit Reception) .....   | 189 |
| Operation .....  | 136           | I <sup>2</sup> C Master Mode First Start Bit Timing .....                                    | 185 |
| Oscillator .....   | 135, 137      | I <sup>2</sup> C Slave Mode (10-bit Reception, SEN = 0) .....                                | 174 |
| Overflow Interrupt .....                                       | 135, 138      | I <sup>2</sup> C Slave Mode (10-bit Reception, SEN = 1) .....                                | 179 |
| Special Event Trigger (CCP) .....                              | 138, 152      | I <sup>2</sup> C Slave Mode (10-bit Transmission) .....                                      | 175 |
| TMR1H Register .....   | 135           | I <sup>2</sup> C Slave Mode (7-bit Reception, SEN = 0) .....                                 | 172 |
| TMR1L Register .....   | 135           | I <sup>2</sup> C Slave Mode (7-bit Reception, SEN = 1) .....                                 | 178 |
| Use as a Real-Time Clock .....                                 | 138           | I <sup>2</sup> C Slave Mode (7-bit Transmission) .....                                       | 173 |
| Timer2 .....   | 141           | Low-Voltage Detect .....   | 236 |
| Associated Registers .....                                     | 142           | Master SSP I <sup>2</sup> C Bus Data .....   | 335 |
| Operation .....  | 141           | Master SSP I <sup>2</sup> C Bus Start/Stop Bits .....  | 335 |
| Postscaler. <i>See</i> Postscaler, Timer2                      |               | Parallel Slave Port (PIC18F8X20) .....   | 327 |
| PR2 Register .....   | 141, 154      | Program Memory Read .....  | 322 |
| Prescaler. <i>See</i> Prescaler, Timer2                        |               | Program Memory Write .....   | 323 |
| SSP Clock Shift .....  | 141, 142      | PWM Output .....   | 154 |
| TMR2 Register .....  | 141           | Repeat Start Condition .....   | 186 |
| TMR2 to PR2 Match Interrupt .....                              | 141, 142, 154 | Reset, Watchdog Timer (WDT), Oscillator Start-up Timer (OST) and Power-up Timer (PWRT) ..... | 324 |
| Timer3 .....   | 143           | Slave Mode General Call Address Sequence (7 or 10-bit Address Mode) .....                    | 180 |
| Associated Registers .....                                     | 145           | Slave Synchronization .....  | 163 |
| Operation .....  | 144           | Slow Rise Time (MCLR Tied to VDD via 1 kOhm Resistor) .....                                  | 38  |
| Oscillator .....   | 143, 145      | SPI Mode (Master Mode) .....   | 162 |
| Overflow Interrupt .....                                       | 143, 145      | SPI Mode (Slave Mode with CKE = 0) .....   | 164 |
| Special Event Trigger (CCP) .....                              | 145           | SPI Mode (Slave Mode with CKE = 1) .....   | 164 |
| TMR3H Register .....   | 143           | Stop Condition Receive or Transmit Mode .....  | 190 |
| TMR3L Register .....   | 143           | Synchronous Reception (Master Mode, SREN) .....  | 210 |
| Timer4 .....   | 147           | Synchronous Transmission .....   | 209 |
| Associated Registers .....                                     | 148           | Synchronous Transmission (Through TXEN) .....  | 209 |
| Operation .....  | 147           | Time-out Sequence on POR w/PLL Enabled (MCLR Tied to VDD via 1 kOhm Resistor) .....          | 38  |
| Postscaler. <i>See</i> Postscaler, Timer4                      |               | Time-out Sequence on Power-up (MCLR Not Tied to VDD) .....                                   |     |
| PR4 Register .....   | 147           | Case 1 .....   | 37  |
| Prescaler. <i>See</i> Prescaler, Timer4                        |               | Case 2 .....   | 37  |
| SSP Clock Shift .....  | 148           | Time-out Sequence on Power-up (MCLR Tied to VDD via 1 kOhm Resistor) .....                   | 37  |
| TMR4 Register .....  | 147           | Timer0 and Timer1 External Clock .....   | 325 |
| TMR4 to PR4 Match Interrupt .....                              | 147, 148      | Timing for Transition Between Timer1 and OSC1 (HS  |     |
| Timing Diagrams .....  |               |  |     |
| A/D Conversion .....   | 338           |  |     |
| Acknowledge Sequence .....                                     | 190           |  |     |
| Baud Rate Generator with Clock Arbitration .....               | 184           |  |     |
| BRG Reset Due to SDA Arbitration During Start Condition .....  | 193           |  |     |
| Brown-out Reset (BOR) .....                                    | 325           |  |     |
| Bus Collision During a Repeated Start Condition (Case 1) ..... | 194           |  |     |

# PIC18F6520/8520/6620/8620/6720/8720

|  |          |                            |                    |
|--|----------|----------------------------|--------------------|
| with PLL) .....  | 27       | Time-out Period .....      | 250                |
| Transition Between Timer1 and OSC1 (HS, XT, LP) .        | 26       | WCOL .....                 | 185                |
| Transition Between Timer1 and OSC1 (RC, EC) .....        | 27       | WCOL Status Flag .....     | 185, 186, 187, 190 |
| Transition from OSC1 to Timer1 Oscillator .....          | 26       | WDT Postscaler .....       | 250                |
| USART Asynchronous Reception .....                       | 207      | WWW Address .....          | 375                |
| USART Asynchronous Transmission .....                    | 205      | WWW, On-Line Support ..... | 5                  |
| USART Asynchronous Transmission (Back to Back) ....      | 205      | <b>X</b>                   |                    |
| USART Synchronous Receive ( Master/Slave) .....          | 337      | XORLW .....                | 299                |
| USART Synchronous Transmission (Master/Slave) .          | 337      | XORWF .....                | 300                |
| Wake-up from Sleep via Interrupt .....                   | 253      |                            |                    |
| TRISE Register   |          |                            |                    |
| PSPMODE Bit .....  | 111, 128 |                            |                    |
| TSTFSZ .....   | 299      |                            |                    |
| Two-Word Instructions                                    |          |                            |                    |
| Example Cases .....                                      | 46       |                            |                    |
| TXSTA Register   |          |                            |                    |
| BRGH Bit .....   | 200      |                            |                    |
| <b>U</b>   |          |                            |                    |
| Universal Synchronous Asynchronous Receiver Transmitter. |          |                            |                    |
| See USART  |          |                            |                    |
| USART  |          |                            |                    |
| Asynchronous Mode .....                                  | 204      |                            |                    |
| Associated Registers, Receive .....                      | 207      |                            |                    |
| Associated Registers, Transmit .....                     | 205      |                            |                    |
| Receiver .....   | 206      |                            |                    |
| Setting up 9-bit Mode with Address Detect .....          | 206      |                            |                    |
| Transmitter .....  | 204      |                            |                    |
| Baud Rate Generator (BRG) .....                          | 200      |                            |                    |
| Associated Registers .....                               | 200      |                            |                    |
| Baud Rate Error, Calculating .....                       | 200      |                            |                    |
| Baud Rate Formula .....                                  | 200      |                            |                    |
| Baud Rates for Asynchronous Mode (BRGH = 0) .            | 202      |                            |                    |
| Baud Rates for Asynchronous Mode (BRGH = 1) .            | 203      |                            |                    |
| Baud Rates for Synchronous Mode .....                    | 201      |                            |                    |
| High Baud Rate Select (BRGH Bit) .....                   | 200      |                            |                    |
| Sampling .....   | 200      |                            |                    |
| Serial Port Enable (SPEN Bit) .....                      | 197      |                            |                    |
| Synchronous Master Mode .....                            | 208      |                            |                    |
| Associated Registers, Reception .....                    | 210      |                            |                    |
| Associated Registers, Transmit .....                     | 208      |                            |                    |
| Reception .....  | 210      |                            |                    |
| Transmission .....                                       | 208      |                            |                    |
| Synchronous Slave Mode .....                             | 211      |                            |                    |
| Associated Registers, Receive .....                      | 212      |                            |                    |
| Associated Registers, Transmit .....                     | 211      |                            |                    |
| Reception .....  | 212      |                            |                    |
| Transmission .....                                       | 211      |                            |                    |
| USART Synchronous Receive Requirements .....             | 337      |                            |                    |
| USART Synchronous Transmission Requirements .....        | 337      |                            |                    |
| <b>V</b>   |          |                            |                    |
| Voltage Reference Specifications .....                   | 315      |                            |                    |
| <b>W</b>   |          |                            |                    |
| Wake-up from Sleep .....                                 | 239, 252 |                            |                    |
| Using Interrupts .....                                   | 252      |                            |                    |
| Watchdog Timer (WDT) .....                               | 239, 250 |                            |                    |
| Associated Registers .....                               | 251      |                            |                    |
| Control Register .....                                   | 250      |                            |                    |
| Postscaler .....   | 251      |                            |                    |
| Programming Considerations .....                         | 250      |                            |                    |
| RC Oscillator .....                                      | 250      |                            |                    |

# PIC18F6520/8520/6620/8620/6720/8720

---

---

## THE MICROCHIP WEB SITE

Microchip provides online support via our WWW site at [www.microchip.com](http://www.microchip.com). This web site is used as a means to make files and information easily available to customers. Accessible by using your favorite Internet browser, the web site contains the following information:

- **Product Support** – Data sheets and errata, application notes and sample programs, design resources, user's guides and hardware support documents, latest software releases and archived software
- **General Technical Support** – Frequently Asked Questions (FAQ), technical support requests, online discussion groups, Microchip consultant program member listing
- **Business of Microchip** – Product selector and ordering guides, latest Microchip press releases, listing of seminars and events, listings of Microchip sales offices, distributors and factory representatives

## CUSTOMER CHANGE NOTIFICATION SERVICE

Microchip's customer notification service helps keep customers current on Microchip products. Subscribers will receive e-mail notification whenever there are changes, updates, revisions or errata related to a specified product family or development tool of interest.

To register, access the Microchip web site at [www.microchip.com](http://www.microchip.com). Under "Support", click on "Customer Change Notification" and follow the registration instructions.

## CUSTOMER SUPPORT

Users of Microchip products can receive assistance through several channels:

- Distributor or Representative
- Local Sales Office
- Field Application Engineer (FAE)
- Technical Support

Customers should contact their distributor, representative or field application engineer (FAE) for support. Local sales offices are also available to help customers. A listing of sales offices and locations is included in the back of this document.

**Technical support is available through the web site at: <http://microchip.com/support>**

# PIC18F6520/8520/6620/8620/6720/8720

---

---

## READER RESPONSE

It is our intention to provide you with the best documentation possible to ensure successful use of your Microchip product. If you wish to provide your comments on organization, clarity, subject matter, and ways in which our documentation can better serve you, please FAX your comments to the Technical Publications Manager at (480) 792-4150.

Please list the following information, and use this outline to provide us with your comments about this document.

TO: Technical Publications Manager Total Pages Sent \_\_\_\_\_

RE: Reader Response

From: Name \_\_\_\_\_

Company \_\_\_\_\_

Address \_\_\_\_\_

City / State / ZIP / Country \_\_\_\_\_

Telephone: (\_\_\_\_\_) \_\_\_\_\_ - \_\_\_\_\_ FAX: (\_\_\_\_\_) \_\_\_\_\_ - \_\_\_\_\_

Application (optional):

Would you like a reply?  Y  N

Device: PIC18F6520/8520/6620/8620/6720/8720

Literature Number: DS39609C

Questions:

1. What are the best features of this document?

---

---

2. How does this document meet your hardware and software development needs?

---

---

3. Do you find the organization of this document easy to follow? If not, why?

---

---

4. What additions to the document do you think would enhance the structure and subject?

---

---

5. What deletions from the document could be made without affecting the overall usefulness?

---

---

6. Is there any incorrect or misleading information (what and where)?

---

---

7. How would you improve this document?

---

---



# PIC18F6520/8520/6620/8620/6720/8720

## PIC18F6520/8520/6620/8620/6720/8720 PRODUCT IDENTIFICATION SYSTEM

To order or obtain information, e.g., on pricing or delivery, refer to the factory or the listed sales office.

| <u>PART NO.</u>  | -  | <u>X</u>   | <u>/XX</u>        | <u>XXX</u>  |         |                                |         |  |  |  |  |  |
|--|--|--|-------------------|---|---------|--------------------------------|---------|--|--|--|--|--|
| Device   |  | Temperature Range  | Package           | Pattern   |         |                                |         |  |  |  |  |  |
| <table border="1"> <tr> <td style="vertical-align: top;">Device</td> <td>PIC18F6520/8520/6620/8620/6720/8720<sup>(1)</sup>,<br/>PIC18F6520/8520/6620/8620/6720/8720T<sup>(2)</sup>;<br/>VDD range 4.2V to 5.5V<br/>PIC18LF6520/8520/6620/8620/6720/8720<sup>(1)</sup>,<br/>PIC18LF6520/8520/6620/8620/6720/8720T<sup>(2)</sup>;<br/>VDD range 2.0V to 5.5V</td> </tr> <tr> <td style="vertical-align: top;">Temperature Range</td> <td>I = -40°C to +85°C (Industrial)<br/>E = -40°C to +125°C (Extended)</td> </tr> <tr> <td style="vertical-align: top;">Package</td> <td>PT = TQFP (Thin Quad Flatpack)</td> </tr> <tr> <td style="vertical-align: top;">Pattern</td> <td>QTP, SQTP, Code or Special Requirements<br/>(blank otherwise)</td> </tr> </table> | Device   | PIC18F6520/8520/6620/8620/6720/8720 <sup>(1)</sup> ,<br>PIC18F6520/8520/6620/8620/6720/8720T <sup>(2)</sup> ;<br>VDD range 4.2V to 5.5V<br>PIC18LF6520/8520/6620/8620/6720/8720 <sup>(1)</sup> ,<br>PIC18LF6520/8520/6620/8620/6720/8720T <sup>(2)</sup> ;<br>VDD range 2.0V to 5.5V | Temperature Range | I = -40°C to +85°C (Industrial)<br>E = -40°C to +125°C (Extended) | Package | PT = TQFP (Thin Quad Flatpack) | Pattern | QTP, SQTP, Code or Special Requirements<br>(blank otherwise) |  |  |  |  |
| Device   | PIC18F6520/8520/6620/8620/6720/8720 <sup>(1)</sup> ,<br>PIC18F6520/8520/6620/8620/6720/8720T <sup>(2)</sup> ;<br>VDD range 4.2V to 5.5V<br>PIC18LF6520/8520/6620/8620/6720/8720 <sup>(1)</sup> ,<br>PIC18LF6520/8520/6620/8620/6720/8720T <sup>(2)</sup> ;<br>VDD range 2.0V to 5.5V |  |                   |   |         |                                |         |  |  |  |  |  |
| Temperature Range  | I = -40°C to +85°C (Industrial)<br>E = -40°C to +125°C (Extended)  |  |                   |   |         |                                |         |  |  |  |  |  |
| Package  | PT = TQFP (Thin Quad Flatpack)   |  |                   |   |         |                                |         |  |  |  |  |  |
| Pattern  | QTP, SQTP, Code or Special Requirements<br>(blank otherwise)   |  |                   |   |         |                                |         |  |  |  |  |  |
| <p><b>Examples:</b></p> <p>a) PIC18LF6620-I/PT 301 = Industrial temp., TQFP package, Extended VDD limits, QTP pattern #301.</p> <p>b) PIC18F8720-I/PT = Industrial temp., TQFP package, normal VDD limits.</p> <p>c) PIC18F8620-E/PT = Extended temp., TQFP package, standard VDD limits.</p> <p><b>Note 1:</b> F = Standard Voltage Range<br/>LF = Extended Voltage Range</p> <p><b>2:</b> T = in tape and reel</p>   |  |  |                   |   |         |                                |         |  |  |  |  |  |

# PIC18F6520/8520/6620/8620/6720/8720

---

NOTES:

---

**Note the following details of the code protection feature on Microchip devices:**

- Microchip products meet the specification contained in their particular Microchip Data Sheet.
- Microchip believes that its family of products is one of the most secure families of its kind on the market today, when used in the intended manner and under normal conditions.
- There are dishonest and possibly illegal methods used to breach the code protection feature. All of these methods, to our knowledge, require using the Microchip products in a manner outside the operating specifications contained in Microchip's Data Sheets. Most likely, the person doing so is engaged in theft of intellectual property.
- Microchip is willing to work with the customer who is concerned about the integrity of their code.
- Neither Microchip nor any other semiconductor manufacturer can guarantee the security of their code. Code protection does not mean that we are guaranteeing the product as “unbreakable.”

Code protection is constantly evolving. We at Microchip are committed to continuously improving the code protection features of our products. Attempts to break Microchip's code protection feature may be a violation of the Digital Millennium Copyright Act. If such acts allow unauthorized access to your software or other copyrighted work, you may have a right to sue for relief under that Act.

---

Information contained in this publication regarding device applications and the like is provided only for your convenience and may be superseded by updates. It is your responsibility to ensure that your application meets with your specifications. MICROCHIP MAKES NO REPRESENTATIONS OR WARRANTIES OF ANY KIND WHETHER EXPRESS OR IMPLIED, WRITTEN OR ORAL, STATUTORY OR OTHERWISE, RELATED TO THE INFORMATION, INCLUDING BUT NOT LIMITED TO ITS CONDITION, QUALITY, PERFORMANCE, MERCHANTABILITY OR FITNESS FOR PURPOSE. Microchip disclaims all liability arising from this information and its use. Use of Microchip devices in life support and/or safety applications is entirely at the buyer's risk, and the buyer agrees to defend, indemnify and hold harmless Microchip from any and all damages, claims, suits, or expenses resulting from such use. No licenses are conveyed, implicitly or otherwise, under any Microchip intellectual property rights.

#### **Trademarks**

The Microchip name and logo, the Microchip logo, dsPIC, FlashFlex, KEELOQ, KEELOQ logo, MPLAB, PIC, PICmicro, PICSTART, PIC<sup>32</sup> logo, rPIC, SST, SST Logo, SuperFlash and UNI/O are registered trademarks of Microchip Technology Incorporated in the U.S.A. and other countries.

FilterLab, Hampshire, HI-TECH C, Linear Active Thermistor, MTP, SEEVAL and The Embedded Control Solutions Company are registered trademarks of Microchip Technology Incorporated in the U.S.A.

Silicon Storage Technology is a registered trademark of Microchip Technology Inc. in other countries.


Analog-for-the-Digital Age, Application Maestro, BodyCom, chipKIT, chipKIT logo, CodeGuard, dsPICDEM, dsPICDEM.net, dsPICworks, dsSPEAK, ECAN, ECONOMONITOR, FanSense, HI-TIDE, In-Circuit Serial Programming, ICSP, Mindi, MiWi, MPASM, MPF, MPLAB Certified logo, MPLIB, MPLINK, mTouch, Omniclient Code Generation, PICC, PICC-18, PICDEM, PICDEM.net, PICkit, PICtail, REAL ICE, rLAB, Select Mode, SQI, Serial Quad I/O, Total Endurance, TSHARC, UniWinDriver, WiperLock, ZENA and Z-Scale are trademarks of Microchip Technology Incorporated in the U.S.A. and other countries.

SQTP is a service mark of Microchip Technology Incorporated in the U.S.A.

GestIC and ULPP are registered trademarks of Microchip Technology Germany II GmbH & Co. & KG, a subsidiary of Microchip Technology Inc., in other countries.

All other trademarks mentioned herein are property of their respective companies.

© 2003-2013, Microchip Technology Incorporated, Printed in the U.S.A., All Rights Reserved.

 Printed on recycled paper.

ISBN: 9781620769423

**QUALITY MANAGEMENT SYSTEM**  
**CERTIFIED BY DNV**  
**== ISO/TS 16949 ==**

*Microchip received ISO/TS-16949:2009 certification for its worldwide headquarters, design and wafer fabrication facilities in Chandler and Tempe, Arizona; Gresham, Oregon and design centers in California and India. The Company's quality system processes and procedures are for its PIC<sup>®</sup> MCUs and dsPIC<sup>®</sup> DSCs, KEELOQ<sup>®</sup> code hopping devices, Serial EEPROMs, microperipherals, nonvolatile memory and analog products. In addition, Microchip's quality system for the design and manufacture of development systems is ISO 9001:2000 certified.*



# MICROCHIP

## Worldwide Sales and Service

### AMERICAS

**Corporate Office**  
2355 West Chandler Blvd.  
Chandler, AZ 85224-6199  
Tel: 480-792-7200  
Fax: 480-792-7277  
Technical Support:  
<http://www.microchip.com/support>  
Web Address:  
[www.microchip.com](http://www.microchip.com)

**Atlanta**  
Duluth, GA  
Tel: 678-957-9614  
Fax: 678-957-1455

**Boston**  
Westborough, MA  
Tel: 774-760-0087  
Fax: 774-760-0088

**Chicago**  
Itasca, IL  
Tel: 630-285-0071  
Fax: 630-285-0075

**Cleveland**  
Independence, OH  
Tel: 216-447-0464  
Fax: 216-447-0643

**Dallas**  
Addison, TX  
Tel: 972-818-7423  
Fax: 972-818-2924

**Detroit**  
Farmington Hills, MI  
Tel: 248-538-2250  
Fax: 248-538-2260

**Indianapolis**  
Noblesville, IN  
Tel: 317-773-8323  
Fax: 317-773-5453

**Los Angeles**  
Mission Viejo, CA  
Tel: 949-462-9523  
Fax: 949-462-9608

**Santa Clara**  
Santa Clara, CA  
Tel: 408-961-6444  
Fax: 408-961-6445

**Toronto**  
Mississauga, Ontario,  
Canada  
Tel: 905-673-0699  
Fax: 905-673-6509

### ASIA/PACIFIC

**Asia Pacific Office**  
Suites 3707-14, 37th Floor  
Tower 6, The Gateway  
Harbour City, Kowloon  
Hong Kong  
Tel: 852-2401-1200  
Fax: 852-2401-3431

**Australia - Sydney**  
Tel: 61-2-9868-6733  
Fax: 61-2-9868-6755

**China - Beijing**  
Tel: 86-10-8569-7000  
Fax: 86-10-8528-2104

**China - Chengdu**  
Tel: 86-28-8665-5511  
Fax: 86-28-8665-7889

**China - Chongqing**  
Tel: 86-23-8980-9588  
Fax: 86-23-8980-9500

**China - Hangzhou**  
Tel: 86-571-2819-3187  
Fax: 86-571-2819-3189

**China - Hong Kong SAR**  
Tel: 852-2943-5100  
Fax: 852-2401-3431

**China - Nanjing**  
Tel: 86-25-8473-2460  
Fax: 86-25-8473-2470

**China - Qingdao**  
Tel: 86-532-8502-7355  
Fax: 86-532-8502-7205

**China - Shanghai**  
Tel: 86-21-5407-5533  
Fax: 86-21-5407-5066

**China - Shenyang**  
Tel: 86-24-2334-2829  
Fax: 86-24-2334-2393

**China - Shenzhen**  
Tel: 86-755-8864-2200  
Fax: 86-755-8203-1760

**China - Wuhan**  
Tel: 86-27-5980-5300  
Fax: 86-27-5980-5118

**China - Xian**  
Tel: 86-29-8833-7252  
Fax: 86-29-8833-7256

**China - Xiamen**  
Tel: 86-592-2388138  
Fax: 86-592-2388130

**China - Zhuhai**  
Tel: 86-756-3210040  
Fax: 86-756-3210049

### ASIA/PACIFIC

**India - Bangalore**  
Tel: 91-80-3090-4444  
Fax: 91-80-3090-4123

**India - New Delhi**  
Tel: 91-11-4160-8631  
Fax: 91-11-4160-8632

**India - Pune**  
Tel: 91-20-2566-1512  
Fax: 91-20-2566-1513

**Japan - Osaka**  
Tel: 81-6-6152-7160  
Fax: 81-6-6152-9310

**Japan - Tokyo**  
Tel: 81-3-6880-3770  
Fax: 81-3-6880-3771

**Korea - Daegu**  
Tel: 82-53-744-4301  
Fax: 82-53-744-4302

**Korea - Seoul**  
Tel: 82-2-554-7200  
Fax: 82-2-558-5932 or  
82-2-558-5934

**Malaysia - Kuala Lumpur**  
Tel: 60-3-6201-9857  
Fax: 60-3-6201-9859

**Malaysia - Penang**  
Tel: 60-4-227-8870  
Fax: 60-4-227-4068

**Philippines - Manila**  
Tel: 63-2-634-9065  
Fax: 63-2-634-9069

**Singapore**  
Tel: 65-6334-8870  
Fax: 65-6334-8850

**Taiwan - Hsin Chu**  
Tel: 886-3-5778-366  
Fax: 886-3-5770-955

**Taiwan - Kaohsiung**  
Tel: 886-7-213-7828  
Fax: 886-7-330-9305

**Taiwan - Taipei**  
Tel: 886-2-2508-8600  
Fax: 886-2-2508-0102

**Thailand - Bangkok**  
Tel: 66-2-694-1351  
Fax: 66-2-694-1350

### EUROPE

**Austria - Wels**  
Tel: 43-7242-2244-39  
Fax: 43-7242-2244-393

**Denmark - Copenhagen**  
Tel: 45-4450-2828  
Fax: 45-4485-2829

**France - Paris**  
Tel: 33-1-69-53-63-20  
Fax: 33-1-69-30-90-79

**Germany - Munich**  
Tel: 49-89-627-144-0  
Fax: 49-89-627-144-44

**Italy - Milan**  
Tel: 39-0331-742611  
Fax: 39-0331-466781

**Netherlands - Drunen**  
Tel: 31-416-690399  
Fax: 31-416-690340

**Spain - Madrid**  
Tel: 34-91-708-08-90  
Fax: 34-91-708-08-91

**UK - Wokingham**  
Tel: 44-118-921-5869  
Fax: 44-118-921-5820

11/29/12



Компания «ЭлектроПласт» предлагает заключение долгосрочных отношений при поставках импортных электронных компонентов на взаимовыгодных условиях!

Наши преимущества:

- Оперативные поставки широкого спектра электронных компонентов отечественного и импортного производства напрямую от производителей и с крупнейших мировых складов;
- Поставка более 17-ти миллионов наименований электронных компонентов;
- Поставка сложных, дефицитных, либо снятых с производства позиций;
- Оперативные сроки поставки под заказ (от 5 рабочих дней);
- Экспресс доставка в любую точку России;
- Техническая поддержка проекта, помощь в подборе аналогов, поставка прототипов;
- Система менеджмента качества сертифицирована по Международному стандарту ISO 9001;
- Лицензия ФСБ на осуществление работ с использованием сведений, составляющих государственную тайну;
- Поставка специализированных компонентов (Xilinx, Altera, Analog Devices, Intersil, Interpoint, Microsemi, Aeroflex, Peregrine, Syfer, Eurofarad, Texas Instrument, Miteq, Cobham, E2V, MA-COM, Hittite, Mini-Circuits, General Dynamics и др.);

Помимо этого, одним из направлений компании «ЭлектроПласт» является направление «Источники питания». Мы предлагаем Вам помощь Конструкторского отдела:

- Подбор оптимального решения, техническое обоснование при выборе компонента;
- Подбор аналогов;
- Консультации по применению компонента;
- Поставка образцов и прототипов;
- Техническая поддержка проекта;
- Защита от снятия компонента с производства.



#### Как с нами связаться

**Телефон:** 8 (812) 309 58 32 (многоканальный)

**Факс:** 8 (812) 320-02-42

**Электронная почта:** [org@eplast1.ru](mailto:org@eplast1.ru)

**Адрес:** 198099, г. Санкт-Петербург, ул. Калинина, дом 2, корпус 4, литера А.