

Description

The LM2901/2903 series comparators consist of four and two independent precision voltage comparators with very low input offset voltage specification. They are designed to operate from a single power supply over a wide range of voltages; however operation from split power supplies is also possible. They offer low power supply current independent of the magnitude of the power supply voltage.

The LM2901/2903 series comparators are designed to directly interface with TTL and CMOS. When operating from both plus and minus power supplies, the LM2901/2903 series comparators will directly interface with MOS logic where their low power drain is a distinct advantage over standard comparators.

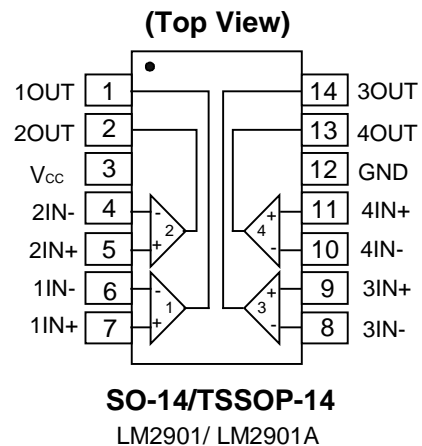
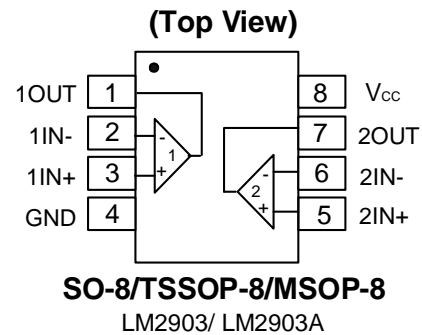
The dual devices are available in SO-8, TSSOP-8, and MSOP-8, and the quad devices available in SO-14 and TSSOP-14 with industry standard pinouts. Both use green mold compound as standard.

Features

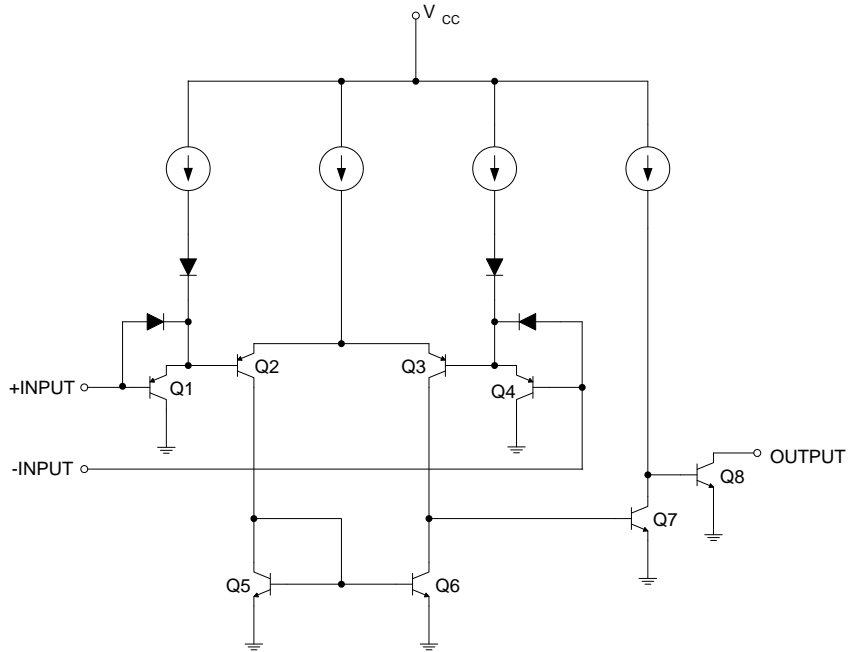
- Wide Power Supply Range:
 - Single Supply: 2V to 36V
 - Dual Supplies: $\pm 1.0V$ to $\pm 18V$
- Very Low Supply Current Drain—Independent of Supply Voltage
 - LM2903: 0.6mA
 - LM2901: 0.9mA
- Low Input Bias Current: 25nA
- Low Input Offset Current: $\pm 5nA$
- Typical Offset Voltage:
 - Non-A Device: 2mV
 - A Device: 1mV
- Common-Mode Input Voltage Range Includes Ground
- Differential Input Voltage Range Equal to the Power Supply Voltage
- Low Output Saturation Voltage:
 - LM2903: 200mV at 4mA
 - LM2901: 100mV at 4mA
- Output Voltage Compatible with TTL, MOS and CMOS
- **Totally Lead-Free & Fully RoHS Compliant (Notes 1 & 2)**
- **Halogen and Antimony Free. "Green" Device (Note 3)**

- Notes:
1. No purposely added lead. Fully EU Directive 2002/95/EC (RoHS), 2011/65/EU (RoHS 2) & 2015/863/EU (RoHS 3) compliant.
 2. See <https://www.diodes.com/quality/lead-free/> for more information about Diodes Incorporated's definitions of Halogen- and Antimony-free, "Green" and Lead-free.
 3. Halogen- and Antimony-free "Green" products are defined as those which contain <900ppm bromine, <900ppm chlorine (<1500ppm total Br + Cl) and <1000ppm antimony compounds.

Pin Assignments



Schematic Diagram



Functional Block Diagram of LM2901/2901A/2903/2903A
(Each Comparator)

Pin Descriptions

| LM2901, LM2901A | | |
|-----------------|-------|-------------------------------|
| Pin Name | Pin # | Function |
| 1OUT | 1 | Channel 1 Output |
| 2OUT | 2 | Channel 2 Output |
| V _{CC} | 3 | Chip Supply Voltage |
| 2IN- | 4 | Channel 2 Inverting Input |
| 2IN+ | 5 | Channel 2 Non-Inverting Input |
| 1IN- | 6 | Channel 1 Inverting Input |
| 1IN+ | 7 | Channel 1 Non-Inverting Input |
| 3IN- | 8 | Channel 3 Inverting Input |
| 3IN+ | 9 | Channel 3 Non-Inverting Input |
| 4IN- | 10 | Channel 4 Inverting Input |
| 4IN+ | 11 | Channel 4 Non-Inverting Input |
| GND | 12 | Ground |
| 4OUT | 13 | Channel 4 Output |
| 3OUT | 14 | Channel 3 Output |
| LM2903, LM2903A | | |
| 1OUT | 1 | Channel 1 Output |
| 1IN- | 2 | Channel 1 Inverting Input |
| 1IN+ | 3 | Channel 1 Non-Inverting Input |
| GND | 4 | Ground |
| 2IN+ | 5 | Channel 2 Non-Inverting Input |
| 2IN- | 6 | Channel 2 Inverting Input |
| 2OUT | 7 | Channel 2 Output |
| V _{CC} | 8 | Chip Supply Voltage |

Absolute Maximum Ratings (Note 4) (@T_A = +25°C, unless otherwise specified.)

| Symbol | Parameter | Rating | Unit | |
|-------------------|---|-------------|------|------|
| V _{CC} | Supply Voltage | 36 | V | |
| V _{ID} | Differential Input Voltage | 36 | V | |
| V _{IN} | Input Voltage | -0.3 to +36 | V | |
| I _{IN} | Input Current (V _{IN} < -0.3V) | 50 | mA | |
| V _O | Output Voltage | 36 | V | |
| I _O | Output Current | 20 | mA | |
| — | Duration of Output Short Circuit to Ground (Note 5) | Unlimited | — | |
| θ _{JA} | Package Thermal Impedance (Note 6) | SO-8 | 110 | °C/W |
| | | MSOP-8 | 160 | |
| | | TSSOP-8 | 185 | |
| | | SO-14 | 100 | |
| | | TSSOP-14 | 129 | |
| θ _{JC} | Package Thermal Impedance (Note 6) | SO-8 | 8.5 | °C/W |
| | | MSOP-8 | 25 | |
| | | TSSOP-8 | 17 | |
| | | SO-14 | 16 | |
| | | TSSOP-14 | 6.3 | |
| T _A | Operating Temperature Range | -40 to +125 | °C | |
| T _J | Operating Junction Temperature | 150 | °C | |
| T _{ST} | Storage Temperature Range | -65 to +150 | °C | |
| T _{LEAD} | Lead Temperature (Soldering, 10 seconds) | 260 | °C | |
| ESD | Human Body Mode ESD Protection (Note 7) | 500 | V | |
| | Machine Mode ESD Protection | 100 | | |

- Notes:
- Stresses beyond those listed under *Absolute Maximum Ratings* can cause permanent damage to the device. These are stress ratings only; functional operation of the device at these or any other conditions beyond those indicated under recommended operating conditions is not implied. Exposure to absolute-maximum-rated conditions for extended periods can affect device reliability.
 - Short circuits from outputs to V_{CC} can cause excessive heating and eventual destruction.
 - Maximum power dissipation is a function of T_{J(MAX)}, θ_{JA}, and T_A. The maximum allowable power dissipation at any allowable ambient temperature is $P_D = (T_{J(MAX)} - T_A) / \theta_{JA}$. Operating at the absolute maximum T_J of 150°C can affect reliability.
 - Human body model, 1.5kΩ in series with 100pF.

Electrical Characteristics (Notes 8 & 9) (@ $V_{CC} = 5.0V$, $GND = 0V$, $T_A = +25^\circ C$, unless otherwise specified.)

| LM2901, LM2901A | | | | | | | | |
|-----------------|--------------------------------------|--|-----------------|---------------------|---------------------|-----|-----|---------|
| Parameter | | Conditions | | T_A | Min | Typ | Max | Unit |
| V_{IO} | Input Offset Voltage | $V_{IC} = V_{CMR} \text{ Min,}$ $V_O = 1.4V,$ $V_{CC} = 5V \text{ to } 30V$ (Note 10) | Non-A Device | $T_A = +25^\circ C$ | — | 2 | 7 | mV |
| | | | | Full Range | — | — | 15 | |
| | | | A-Suffix Device | $T_A = +25^\circ C$ | — | 1 | 2 | |
| | | | | Full Range | — | — | 4 | |
| I_B | Input Bias Current | I_{IN+} or I_{IN-} with OUT in Linear Range, $V_{CM} = 0V$ (Note 11) | | $T_A = +25^\circ C$ | — | 25 | 250 | nA |
| | | | | Full Range | — | — | 500 | |
| I_{IO} | Input Offset Current | $I_{IN+} - I_{IN-}, V_{CM} = 0V$ | | $T_A = +25^\circ C$ | — | 5 | 50 | nA |
| | | | | Full Range | — | — | 200 | |
| V_{CMR} | Input Common-Mode Voltage Range | $V_{CC} = 30V$ (Note 12) | | $T_A = +25^\circ C$ | 0 to $V_{CC} - 1.5$ | — | — | V |
| | | | | Full Range | 0 to $V_{CC} - 2$ | — | — | |
| I_{CC} | Supply Current (Four Comparators) | $R_L = \infty$ on Quad Channels | $V_{CC} = 30V$ | $T_A = +25^\circ C$ | — | 1.2 | 2.5 | mA |
| | | | | Full Range | — | — | 3.5 | |
| | | | $V_{CC} = 5V$ | $T_A = +25^\circ C$ | — | 0.9 | 2 | |
| | | | | Full Range | — | — | 3.0 | |
| A_V | Voltage Gain | $V_{CC} = 15V, V_{OUT} = 1V \text{ to } 11V,$ $R_L \geq 15k\Omega,$ | | $T_A = +25^\circ C$ | 50 | 200 | — | V/mV |
| — | Large Signal Response time | $V_{IN} = \text{TTL Logic Swing, } V_{REF} = 1.4V,$ $V_{RL} = 5V, R_L = 5.1k\Omega$ | | $T_A = +25^\circ C$ | — | 300 | — | ns |
| — | Response Time | $V_{RL} = 5V, R_L = 5.1k\Omega$ (Note 13) | | $T_A = +25^\circ C$ | — | 1.3 | — | μs |
| $I_{O(SINK)}$ | Output Sink Current | $V_{IN-} = 1V, V_{IN+} = 0, V_O \leq 1.5V$ | | $T_A = +25^\circ C$ | 6 | 16 | — | mA |
| V_{SAT} | Saturation Voltage | $V_{IN-} = 1V, V_{IN+} = 0, I_{SINK} \leq 4mA$ | | $T_A = +25^\circ C$ | — | 100 | 400 | mV |
| | | | | Full Range | — | — | 700 | |
| $I_{O(LEAK)}$ | Output Leakage Current | $V_{IN-} = 0V, V_{IN+} = 1, V_O = 5V$ | | $T_A = +25^\circ C$ | — | 0.1 | — | nA |
| | | $V_{IN-} = 0V, V_{IN+} = 1, V_O = 30V$ | | Full Range | — | — | 1 | μA |
| V_{ID} | Differential Input Voltage | All $V_{IN} \geq 0V$ (or V - if used) (Note 14) | | Full Range | — | — | 36 | V |

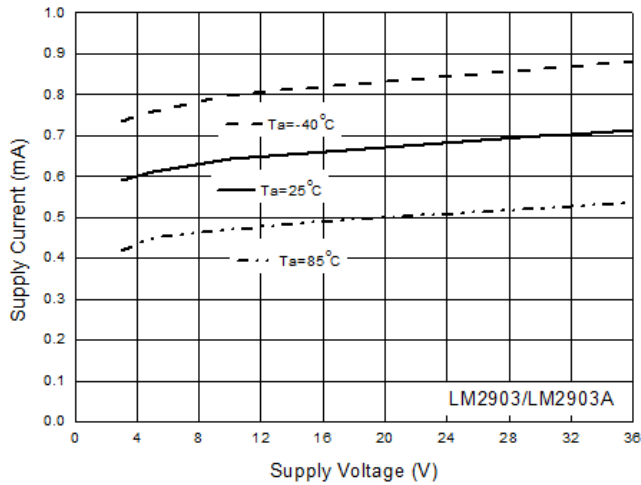
- Notes:
- Typical values represent the most likely parametric norm as determined at the time of characterization. Actual typical values may vary over time and will also depend on the application and configuration. The typical values are not tested and are not guaranteed on shipped production material.
 - All limits are guaranteed by testing or statistical analysis. Limits over the full temperature are guaranteed by design, but not tested in production.
 - $V_O \cong 1.4V, R_S = 0\Omega$ with V_{CC} from 5V to 30V;
 - The direction of the input current is out of the IC due to the PNP input stage. This current is essentially constant, independent of the state of the output so no loading change exists on the input lines.
 - The input common-mode voltage of either input signal voltage should not be allowed to go negative by more than 0.3V (@ $+25^\circ C$). The upper end of the common-mode voltage range is $V_{CC} - 1.5V$ (@ $+25^\circ C$), but either or both inputs can go to +36V without damage, independent of the magnitude of V_{CC} .
 - The response time specified is for a 100mV step input with 5mV overdrive. For larger overdrive signals 300ns can be obtained, see typical performance characteristics.
 - Positive excursions of input voltage may exceed the power supply level. As long as other voltages remain within the common mode range, the comparator will provide a proper output stage. The low voltage state must not be less than -0.3V (or 0.3V below the magnitude of the negative power supply, if used).

Electrical Characteristics (Notes 8 & 9) (@V_{CC} = 5.0V, GND = 0V, T_A = +25°C, unless otherwise specified.)

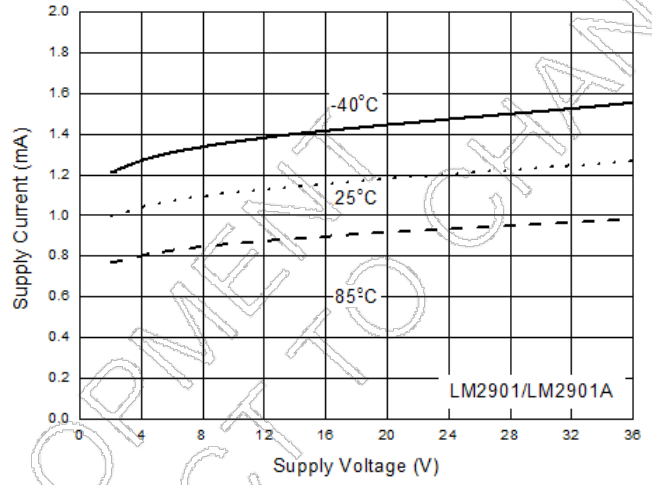
| LM2903, LM2903A | | | | | | | | |
|----------------------|---------------------------------|--|-----------------------|------------------------|---------------------------|-----|-----|------|
| Parameter | | Conditions | | T _A | Min | Typ | Max | Unit |
| V _{IO} | Input Offset Voltage | V _{IC} = V _{CMR} Min, V _O = 1.4V, V _{CC} = 5V to =30V (Note 10) | Non-A Device | T _A = +25°C | — | 2 | 7 | mV |
| | | | | Full Range | — | — | 15 | |
| | | | A-Suffix Device | T _A = +25°C | — | 1 | 2 | |
| | | | | Full Range | — | — | 4 | |
| I _B | Input Bias Current | I _{IN+} or I _{IN-} with OUT in Linear Range, V _{CM} = 0V (Note 11) | | T _A = +25°C | — | 25 | 250 | nA |
| | | | | Full Range | — | — | 500 | |
| I _{IO} | Input Offset Current | I _{IN+} - I _{IN-} , V _{CM} = 0V | | T _A = +25°C | — | 5 | 50 | nA |
| | | | | Full Range | — | — | 200 | |
| V _{CMR} | Input Common-Mode Voltage Range | V _{CC} = 30V (Note 12) | | T _A = +25°C | 0 to V _{CC} -1.5 | — | — | V |
| | | | | Full Range | 0 to V _{CC} -2 | — | — | |
| I _{CC} | Supply Current | R _L = ∞ on Both Channels | V _{CC} = 30V | T _A = +25°C | — | 0.7 | 1.7 | mA |
| | | | | Full Range | — | — | 3.0 | |
| | | | V _{CC} = 5V | T _A = +25°C | — | 0.6 | 1 | |
| | | | | Full Range | — | — | 2.0 | |
| A _V | Voltage Gain | V _{CC} = 15V, V _{OUT} = 1V to 11V, R _L ≥ 15kΩ, | | T _A = +25°C | 50 | 200 | — | V/mV |
| — | Large Signal Response Time | V _{IN} = TTL Logic Swing, V _{REF} = 1.4V, V _{RL} = 5V, R _L = 5.1kΩ | | T _A = +25°C | — | 300 | — | ns |
| — | Response Time | V _{RL} = 5V, R _L = 5.1kΩ (Note 13) | | T _A = +25°C | — | 1.3 | — | μs |
| I _{O(SINK)} | Output Sink Current | V _{IN-} = 1V, V _{IN+} = 0, V _O ≤ 1.5V | | T _A = +25°C | 6 | 16 | — | mA |
| V _{SAT} | Saturation Voltage | V _{IN-} = 1V, V _{IN+} = 0, I _{SINK} ≤ 4mA | | T _A = +25°C | — | 200 | 400 | mV |
| | | | | Full Range | — | — | 700 | |
| I _{O(LEAK)} | Output Leakage Current | V _{IN-} = 0V, V _{IN+} = 1, V _O = 5V | | T _A = +25°C | — | 0.1 | — | nA |
| | | V _{IN-} = 0V, V _{IN+} = 1, V _O = 30V | | Full Range | — | — | 1 | μA |
| V _{ID} | Differential Input Voltage | All V _{IN} ≥ 0V (or V- if used) (Note 14) | | Full Range | — | — | 36 | V |

- Notes:
8. Typical values represent the most likely parametric norm as determined at the time of characterization. Actual typical values may vary over time and will also depend on the application and configuration. The typical values are not tested and are not guaranteed on shipped production material.
 9. All limits are guaranteed by testing or statistical analysis. Limits over the full temperature are guaranteed by design, but not tested in production.
 10. V_O ≅ 1.4V, R_S = 0Ω with V_{CC} from 5V to 30V;
 11. The direction of the input current is out of the IC due to the PNP input stage. This current is essentially constant, independent of the state of the output so no loading change exists on the input lines.
 12. The input common-mode voltage of either input signal voltage should not be allowed to go negative by more than 0.3V (@ +25°C). The upper end of the common-mode voltage range is V_{CC} -1.5V (@ +25°C), but either or both inputs can go to +36V without damage, independent of the magnitude of V_{CC}.
 13. The response time specified is for a 100mV step input with 5mV overdrive. For larger overdrive signals 300ns can be obtained, see typical performance characteristics.
 14. Positive excursions of input voltage may exceed the power supply level. As long as other voltages remain within the common mode range, the comparator will provide a proper output stage. The low voltage state must not be less than -0.3V (or 0.3V below the magnitude of the negative power supply, if used).

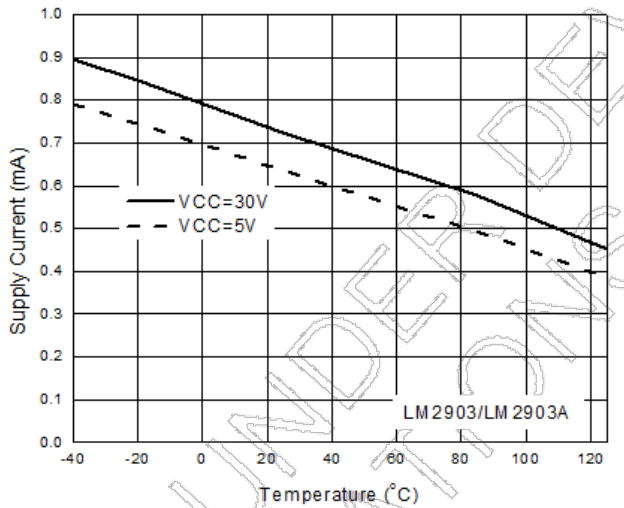
Performance Characteristics



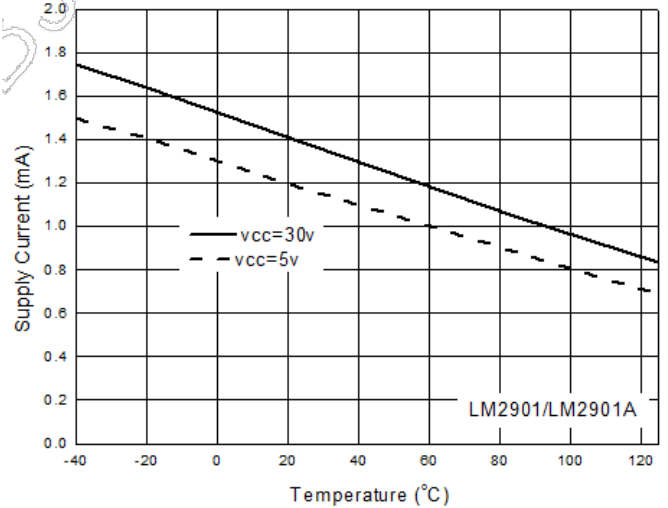
Supply Current vs. Supply Voltage



Supply Current vs. Supply Voltage



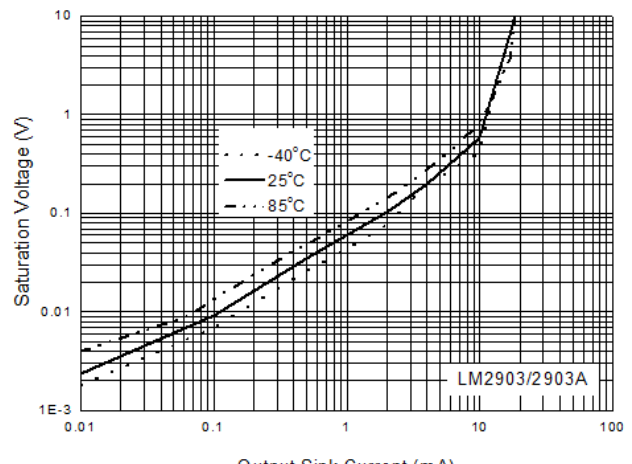
Supply Current vs. Temperature



Supply Current vs. Temperature

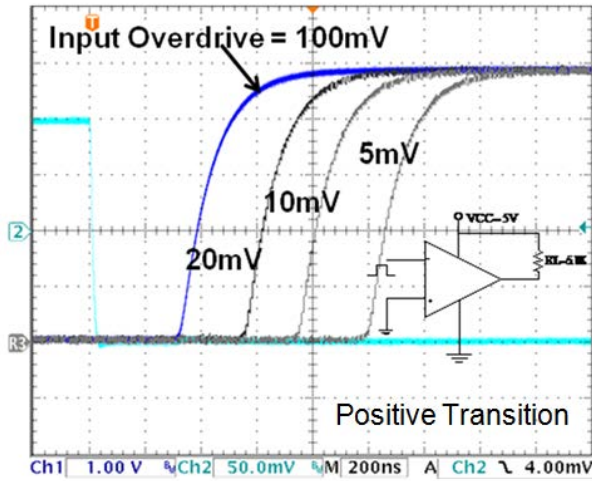


Output Saturation Voltage vs. Sink Current

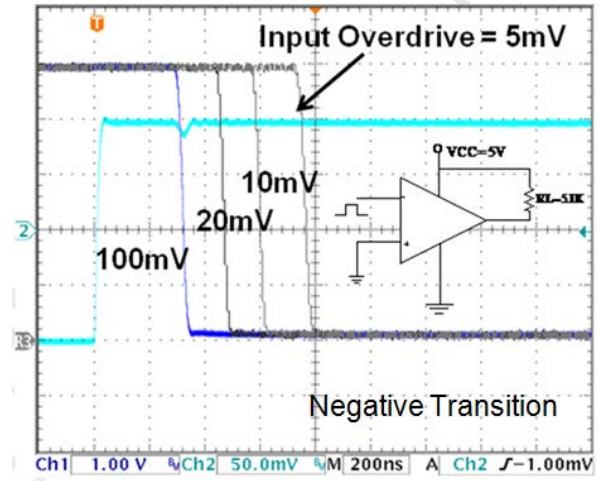


Output Saturation Voltage vs. Sink Current

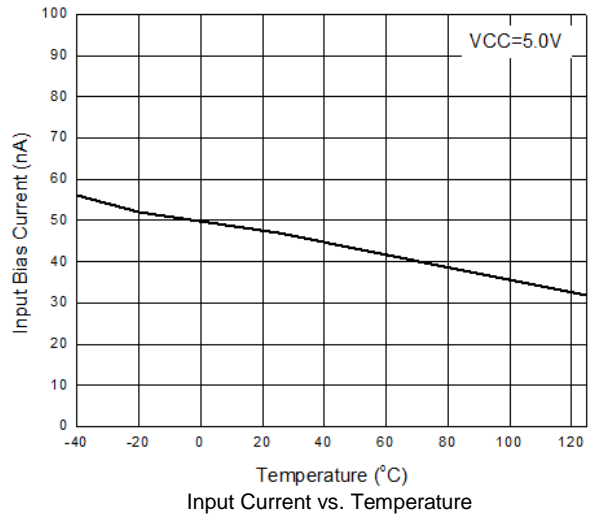
Performance Characteristics (continued)



Response Time for Various Input Overdrive



Response Time for Various Input Overdrive



Application Information

General Information

The LM2901/2903 series comparators are high-gain, wide bandwidth devices. Like most comparators, the series can easily oscillate if the output lead is inadvertently allowed to capacitively couple to the inputs via stray capacitance. This shows up only during the output voltage transition intervals as the comparators change states. Standard PC board layout is helpful as it reduces stray input-output coupling. Reducing the input resistors to <math><10\text{k}\Omega</math> reduces the feedback signal levels. Finally, adding even a small amount (1.0mV to 10mV) of positive feedback (hysteresis) causes such a rapid transition that oscillations, due to stray feedback, are not possible. Simply socketing the IC and attaching resistors to the pins will cause input-output oscillations during the small transition intervals unless hysteresis is used. If the input signal is a pulse waveform, with relatively fast rise and fall times, hysteresis is not required. All input pins of any unused comparators should be tied to the negative supply.

The bias network of the LM2901/2903 series comparators establishes a quiescent current independent of the magnitude of the power supply voltage over the range of from $2.0V_{DC}$ to $30V_{DC}$.

The differential input voltage may be larger than V_{CC} without damaging the device. Protection should be provided to prevent the input voltages from going negative more than $-0.3V_{DC}$ (@ $+25^{\circ}\text{C}$). An input clamp diode can be used as shown in the applications section.

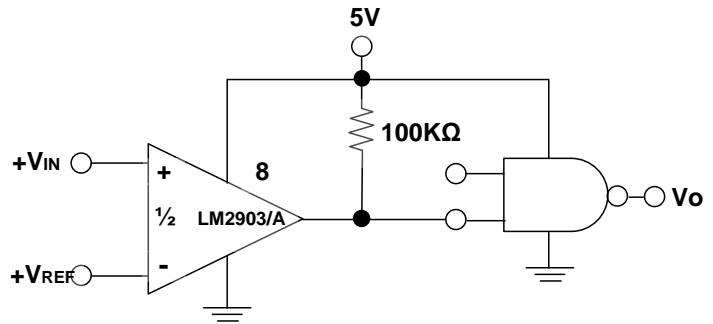
The output of the LM2901/2903 series comparators is the uncommitted collector of a grounded-emitter NPN output transistor. Many collectors can be tied together to provide an output ORing function. An output pull-up resistor can be connected to any available power supply voltage within the permitted supply voltage range and there is no restriction on this voltage due to the magnitude of the voltage applied to the V_{CC} terminal of LM2901/2903 series comparator package. The output can also be used as a simple SPST switch to ground (when a pull-up resistor is not used).

The amount of current the output device can sink is limited by the drive available (which is independent of V_{CC}) and the β of this device. When the maximum current limit is reached (approximately 16mA), the output transistor will come out of saturation and the output voltage will rise very rapidly. The output saturation voltage is limited by the approximately $60\Omega R_{SAT}$ of the output transistor. The low offset voltage of the output transistor (1.0mV) allows the output to clamp essentially to ground level for small load currents.

Typical Application Circuit ($V_{CC} = 5.0V_{DC}$)



Basic Comparator



Driving CMOS



Driving TTL



Non-Inverting Comparator with Hysteresis

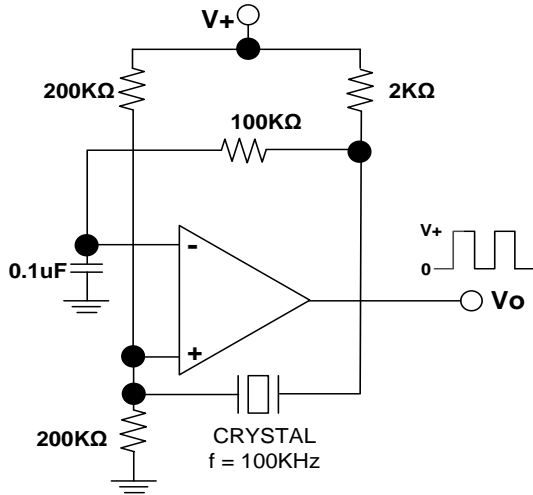


Inverting Comparator with Hysteresis

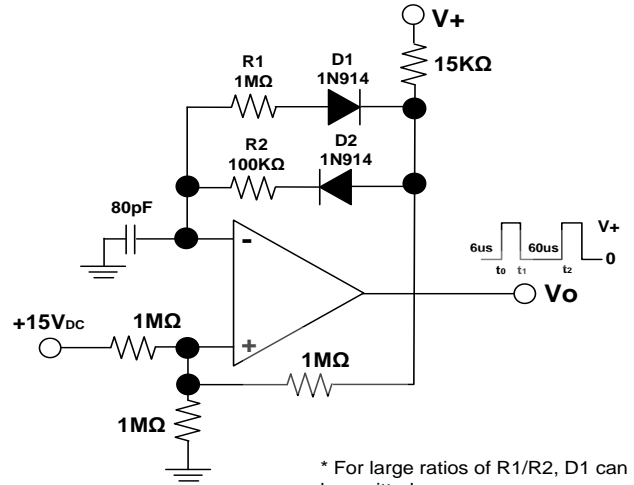


Comparator with a Negative Reference

Typical Application Circuit ($V_{CC} = 5.0V_{DC}$) (continued)

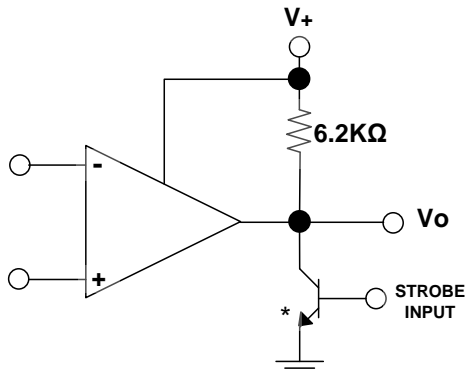


Crystal Controlled Oscillator



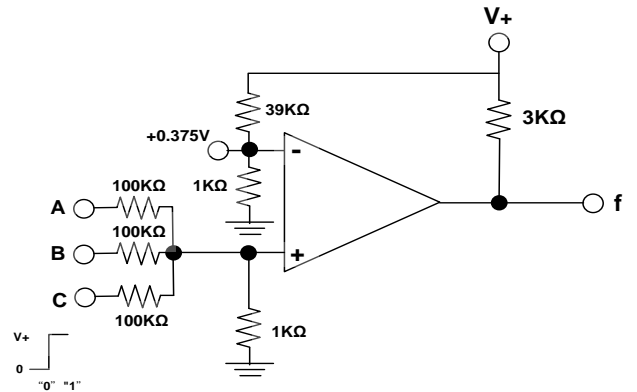
Pulse Generator

* For large ratios of R1/R2, D1 can be omitted.

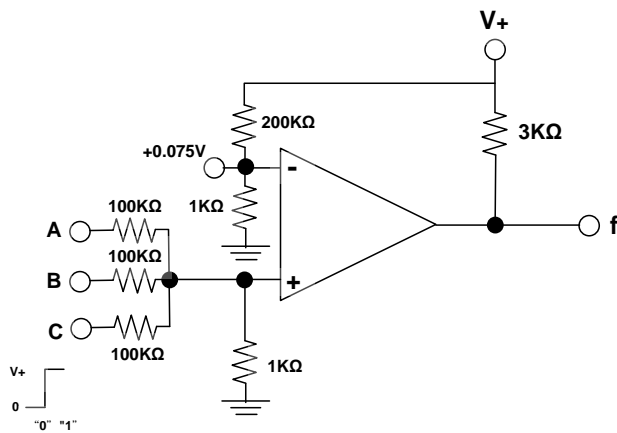


*Or logic gate without pull-up resistor

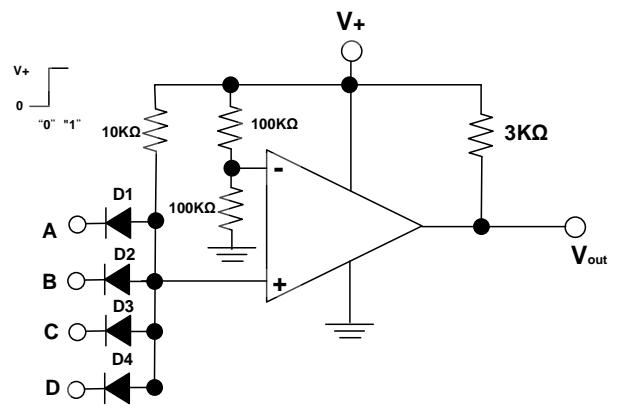
Output Strobing



AND Gate

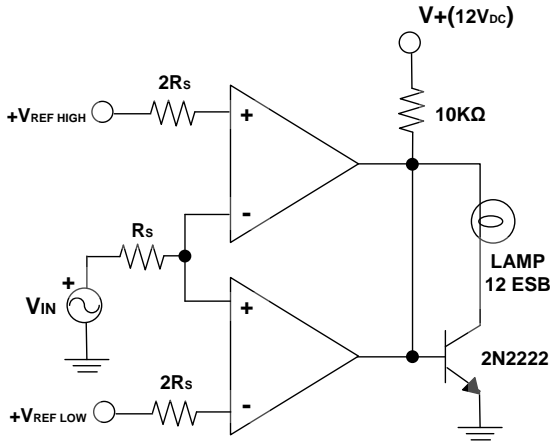


OR Gate

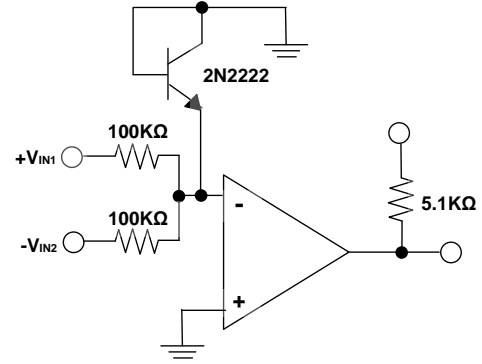


Large Fan-in AND Gate

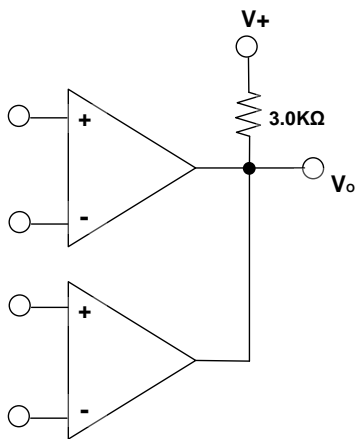
Typical Application Circuit ($V_{CC} = 5.0V_{DC}$) (continued)



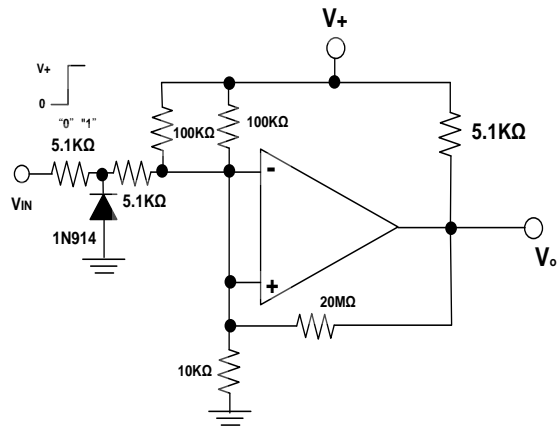
Limit Comparator



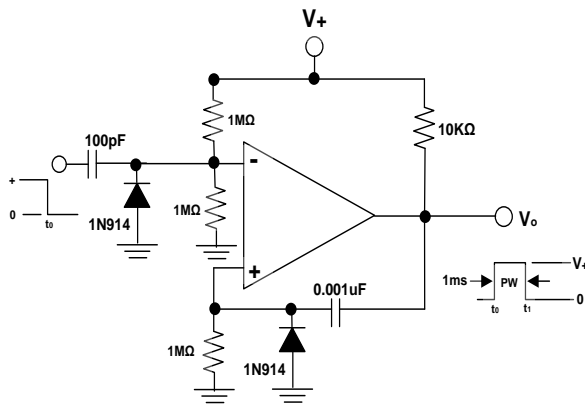
Comparing Input Voltage of Opposite Polarity



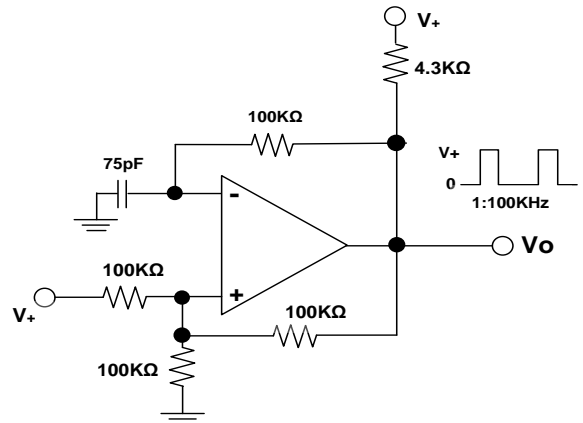
ORing the Outputs



Zero Crossing Detector (Single Power Supply)



One-Shot Multivibrator



Squarewave Oscillator

Ordering Information (Note 15)

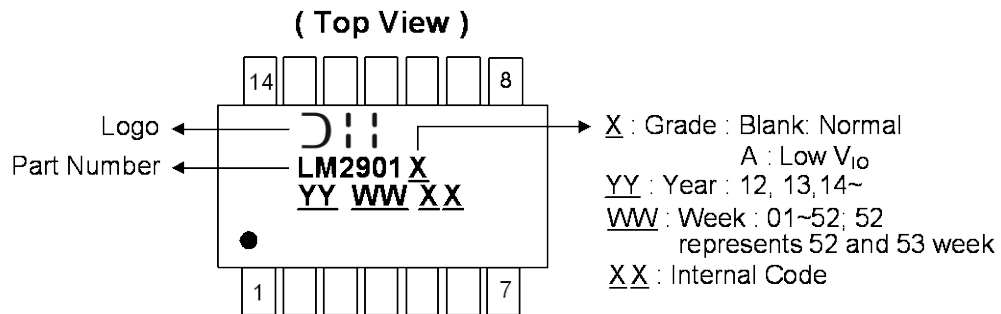


| Part Number | Package Code | Packaging | 13" Tape and Reel | |
|---------------|--------------|-----------|-------------------|--------------------|
| | | | Quantity | Part Number Suffix |
| LM2901T14-13 | T14 | TSSOP-14 | 2500/Tape & Reel | -13 |
| LM2901AT14-13 | T14 | TSSOP-14 | 2500/Tape & Reel | -13 |
| LM2901S14-13 | S14 | SO-14 | 2500/Tape & Reel | -13 |
| LM2901AS14-13 | S14 | SO-14 | 2500/Tape & Reel | -13 |
| LM2903S-13 | S | SO-8 | 2500/Tape & Reel | -13 |
| LM2903AS-13 | S | SO-8 | 2500/Tape & Reel | -13 |
| LM2903AM8-13 | M8 | MSOP-8 | 2500/Tape & Reel | -13 |
| LM2903M8-13 | M8 | MSOP-8 | 2500/Tape & Reel | -13 |
| LM2903ATH-13 | TH | TSSOP-8 | 2500/Tape & Reel | -13 |
| LM2903TH-13 | TH | TSSOP-8 | 2500/Tape & Reel | -13 |

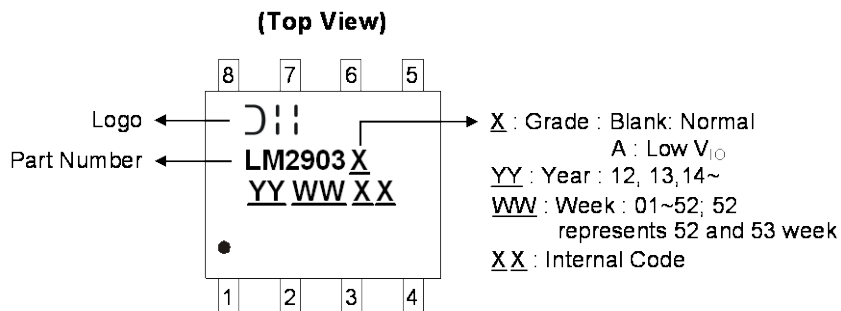
Note: 15. For packaging details, go to our website at <http://www.diodes.com/products/packages.html>.

Marking Information

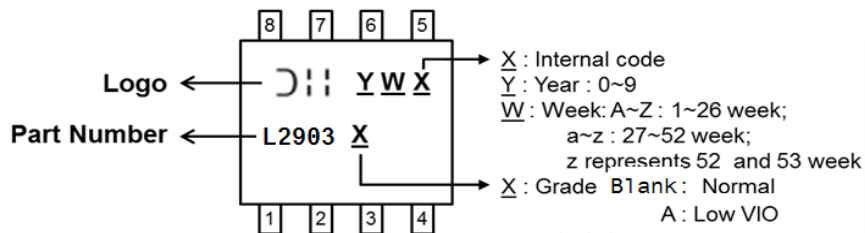
(1) TSSOP-14 and SO-14



(2) SO-8



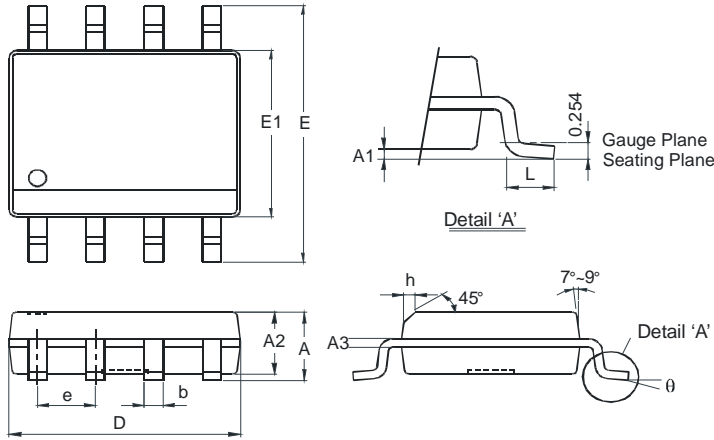
(3) MSOP-8 & TSSOP-8



Package Outline Dimensions

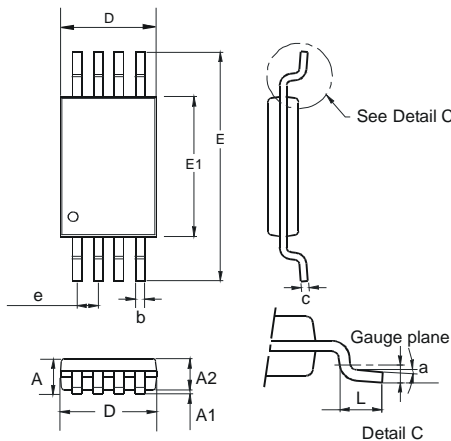
Please see <http://www.diodes.com/package-outlines.html> for the latest version.

SO-8



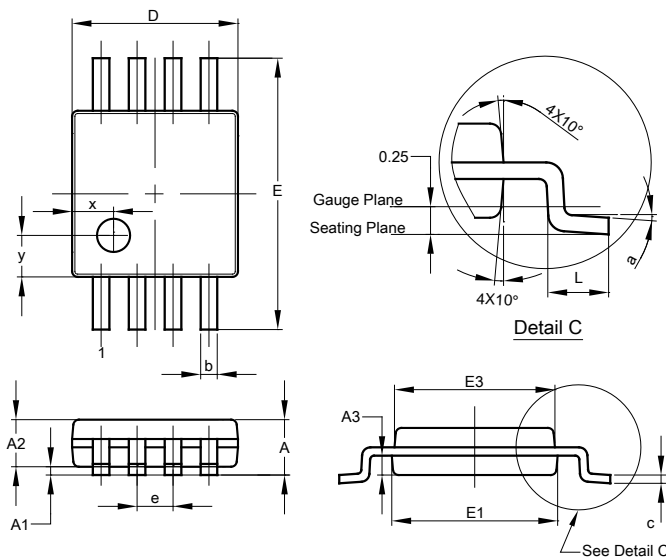
| SO-8 | | |
|-----------------------------|----------|------|
| Dim | Min | Max |
| A | - | 1.75 |
| A1 | 0.10 | 0.20 |
| A2 | 1.30 | 1.50 |
| A3 | 0.15 | 0.25 |
| b | 0.3 | 0.5 |
| D | 4.85 | 4.95 |
| E | 5.90 | 6.10 |
| E1 | 3.85 | 3.95 |
| e | 1.27 Typ | |
| h | - | 0.35 |
| L | 0.62 | 0.82 |
| θ | 0° | 8° |
| All Dimensions in mm | | |

TSSOP-8



| TSSOP-8 | | | |
|-----------------------------|-------|-------|-------|
| Dim | Min | Max | Typ |
| a | 0.09 | - | - |
| A | - | 1.20 | - |
| A1 | 0.05 | 0.15 | - |
| A2 | 0.825 | 1.025 | 0.925 |
| b | 0.19 | 0.30 | - |
| c | 0.09 | 0.20 | - |
| D | 2.90 | 3.10 | 3.025 |
| e | - | - | 0.65 |
| E | - | - | 6.40 |
| E1 | 4.30 | 4.50 | 4.425 |
| L | 0.45 | 0.75 | 0.60 |
| All Dimensions in mm | | | |

MSOP-8

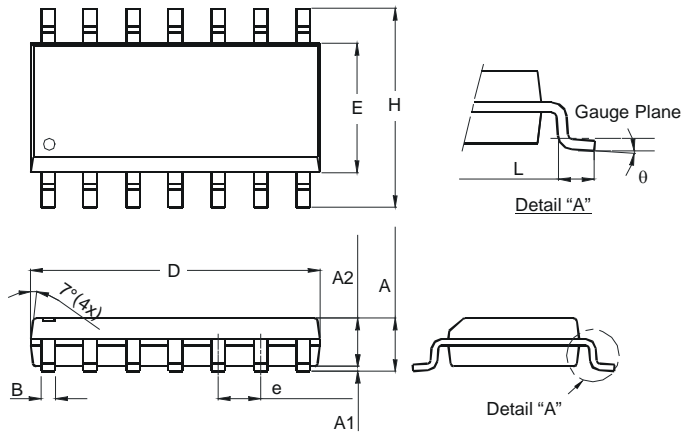


| MSOP-8 | | | |
|-----------------------------|------|------|-------|
| Dim | Min | Max | Typ |
| A | - | 1.10 | - |
| A1 | 0.05 | 0.15 | 0.10 |
| A2 | 0.75 | 0.95 | 0.86 |
| A3 | 0.29 | 0.49 | 0.39 |
| b | 0.22 | 0.38 | 0.30 |
| c | 0.08 | 0.23 | 0.15 |
| D | 2.90 | 3.10 | 3.00 |
| E | 4.70 | 5.10 | 4.90 |
| E1 | 2.90 | 3.10 | 3.00 |
| E3 | 2.85 | 3.05 | 2.95 |
| e | - | - | 0.65 |
| L | 0.40 | 0.80 | 0.60 |
| a | 0° | 8° | 4° |
| x | - | - | 0.750 |
| y | - | - | 0.750 |
| All Dimensions in mm | | | |

Package Outline Dimensions (continued)

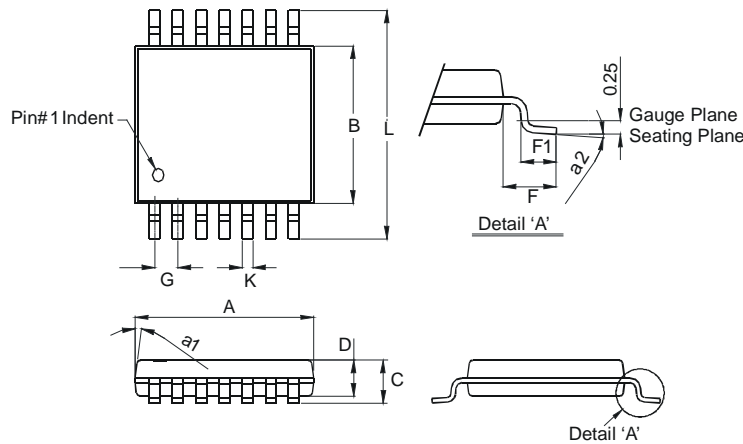
Please see <http://www.diodes.com/package-outlines.html> for the latest version.

SO-14



| SO-14 | | |
|----------------------|----------|------|
| Dim | Min | Max |
| A | 1.47 | 1.73 |
| A1 | 0.10 | 0.25 |
| A2 | 1.45 Typ | |
| B | 0.33 | 0.51 |
| D | 8.53 | 8.74 |
| E | 3.80 | 3.99 |
| e | 1.27 Typ | |
| H | 5.80 | 6.20 |
| L | 0.38 | 1.27 |
| θ | 0° | 8° |
| All Dimensions in mm | | |

TSSOP-14

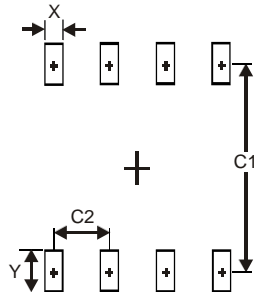


| TSSOP-14 | | |
|----------------------|----------|------|
| Dim | Min | Max |
| a1 | 7° (4X) | |
| a2 | 0° | 8° |
| A | 4.9 | 5.10 |
| B | 4.30 | 4.50 |
| C | – | 1.2 |
| D | 0.8 | 1.05 |
| F | 1.00 Typ | |
| F1 | 0.45 | 0.75 |
| G | 0.65 Typ | |
| K | 0.19 | 0.30 |
| L | 6.40 Typ | |
| All Dimensions in mm | | |

Suggested Pad Layout

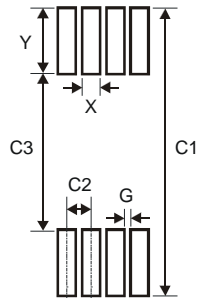
Please see <http://www.diodes.com/package-outlines.html> for the latest version.

SO-8



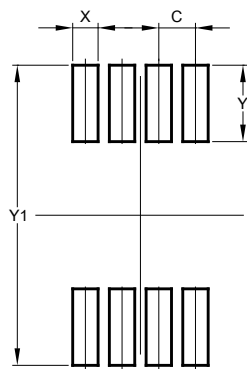
| Dimensions | Value (in mm) |
|------------|---------------|
| X | 0.60 |
| Y | 1.55 |
| C1 | 5.4 |
| C2 | 1.27 |

TSSOP-8



| Dimensions | Value (in mm) |
|------------|---------------|
| X | 0.45 |
| Y | 1.78 |
| C1 | 7.72 |
| C2 | 0.65 |
| C3 | 4.16 |
| G | 0.20 |

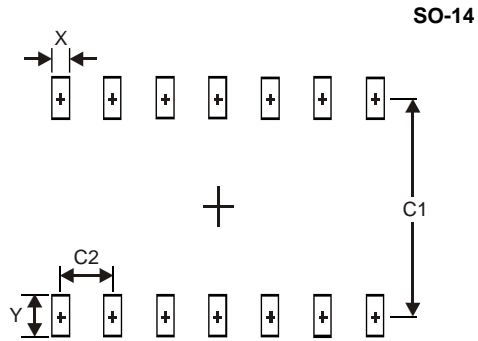
MSOP-8



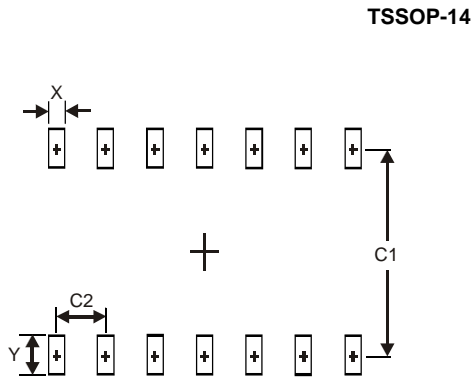
| Dimensions | Value (in mm) |
|------------|---------------|
| C | 0.650 |
| X | 0.450 |
| Y | 1.350 |
| Y1 | 5.300 |

Suggested Pad Layout (continued)

Please see <http://www.diodes.com/package-outlines.html> for the latest version.



| Dimensions | Value (in mm) |
|------------|---------------|
| X | 0.60 |
| Y | 1.50 |
| C1 | 5.4 |
| C2 | 1.27 |



| Dimensions | Value (in mm) |
|------------|---------------|
| X | 0.45 |
| Y | 1.45 |
| C1 | 5.9 |
| C2 | 0.65 |

IMPORTANT NOTICE

DIODES INCORPORATED MAKES NO WARRANTY OF ANY KIND, EXPRESS OR IMPLIED, WITH REGARDS TO THIS DOCUMENT, INCLUDING, BUT NOT LIMITED TO, THE IMPLIED WARRANTIES OF MERCHANTABILITY AND FITNESS FOR A PARTICULAR PURPOSE (AND THEIR EQUIVALENTS UNDER THE LAWS OF ANY JURISDICTION).

Diodes Incorporated and its subsidiaries reserve the right to make modifications, enhancements, improvements, corrections or other changes without further notice to this document and any product described herein. Diodes Incorporated does not assume any liability arising out of the application or use of this document or any product described herein; neither does Diodes Incorporated convey any license under its patent or trademark rights, nor the rights of others. Any Customer or user of this document or products described herein in such applications shall assume all risks of such use and will agree to hold Diodes Incorporated and all the companies whose products are represented on Diodes Incorporated website, harmless against all damages.

Diodes Incorporated does not warrant or accept any liability whatsoever in respect of any products purchased through unauthorized sales channel. Should Customers purchase or use Diodes Incorporated products for any unintended or unauthorized application, Customers shall indemnify and hold Diodes Incorporated and its representatives harmless against all claims, damages, expenses, and attorney fees arising out of, directly or indirectly, any claim of personal injury or death associated with such unintended or unauthorized application.

Products described herein may be covered by one or more United States, international or foreign patents pending. Product names and markings noted herein may also be covered by one or more United States, international or foreign trademarks.

This document is written in English but may be translated into multiple languages for reference. Only the English version of this document is the final and determinative format released by Diodes Incorporated.

LIFE SUPPORT

Diodes Incorporated products are specifically not authorized for use as critical components in life support devices or systems without the express written approval of the Chief Executive Officer of Diodes Incorporated. As used herein:

A. Life support devices or systems are devices or systems which:

1. are intended to implant into the body, or
2. support or sustain life and whose failure to perform when properly used in accordance with instructions for use provided in the labeling can be reasonably expected to result in significant injury to the user.

B. A critical component is any component in a life support device or system whose failure to perform can be reasonably expected to cause the failure of the life support device or to affect its safety or effectiveness.

Customers represent that they have all necessary expertise in the safety and regulatory ramifications of their life support devices or systems, and acknowledge and agree that they are solely responsible for all legal, regulatory and safety-related requirements concerning their products and any use of Diodes Incorporated products in such safety-critical, life support devices or systems, notwithstanding any devices- or systems-related information or support that may be provided by Diodes Incorporated. Further, Customers must fully indemnify Diodes Incorporated and its representatives against any damages arising out of the use of Diodes Incorporated products in such safety-critical, life support devices or systems.

Copyright © 2018, Diodes Incorporated

www.diodes.com



Компания «ЭлектроПласт» предлагает заключение долгосрочных отношений при поставках импортных электронных компонентов на взаимовыгодных условиях!

Наши преимущества:

- Оперативные поставки широкого спектра электронных компонентов отечественного и импортного производства напрямую от производителей и с крупнейших мировых складов;
- Поставка более 17-ти миллионов наименований электронных компонентов;
- Поставка сложных, дефицитных, либо снятых с производства позиций;
- Оперативные сроки поставки под заказ (от 5 рабочих дней);
- Экспресс доставка в любую точку России;
- Техническая поддержка проекта, помощь в подборе аналогов, поставка прототипов;
- Система менеджмента качества сертифицирована по Международному стандарту ISO 9001;
- Лицензия ФСБ на осуществление работ с использованием сведений, составляющих государственную тайну;
- Поставка специализированных компонентов (Xilinx, Altera, Analog Devices, Intersil, Interpoint, Microsemi, Aeroflex, Peregrine, Syfer, Eurofarad, Texas Instrument, Miteq, Cobham, E2V, MA-COM, Hittite, Mini-Circuits, General Dynamics и др.);

Помимо этого, одним из направлений компании «ЭлектроПласт» является направление «Источники питания». Мы предлагаем Вам помощь Конструкторского отдела:

- Подбор оптимального решения, техническое обоснование при выборе компонента;
- Подбор аналогов;
- Консультации по применению компонента;
- Поставка образцов и прототипов;
- Техническая поддержка проекта;
- Защита от снятия компонента с производства.



Как с нами связаться

Телефон: 8 (812) 309 58 32 (многоканальный)

Факс: 8 (812) 320-02-42

Электронная почта: org@eplast1.ru

Адрес: 198099, г. Санкт-Петербург, ул. Калинина, дом 2, корпус 4, литера А.