

Voltage Detector IC Series

# Low Voltage Standard CMOS Voltage Detector ICs

BU48xx series BU49xx series

●General Description

ROHM standard CMOS reset IC series is a high-accuracy, low current consumption reset IC series. The lineup was established with two output types (Nch open drain and CMOS output) and detection voltage range from 0.9V to 4.8V in increments of 0.1V, so that the series may be selected according to the application at hand.

●Features

- Ultra-low current consumption
- High accuracy detection, Ultra-low voltage detection
- Two output types (Nch open drain and CMOS output)
- Wide operating temperature range
- Very small and low height package
- Package SSOP5 and SOP4 is similar to SOT-23-5 and SC-82 respectively (JEDEC)

●Key Specifications

- Detection voltage: 0.9V to 4.8V  
0.1V steps
- High accuracy detection voltage: ±1.0%
- Ultra-low current consumption: 0.55μA (Typ.)
- Operating temperature range: -40°C to +125°C

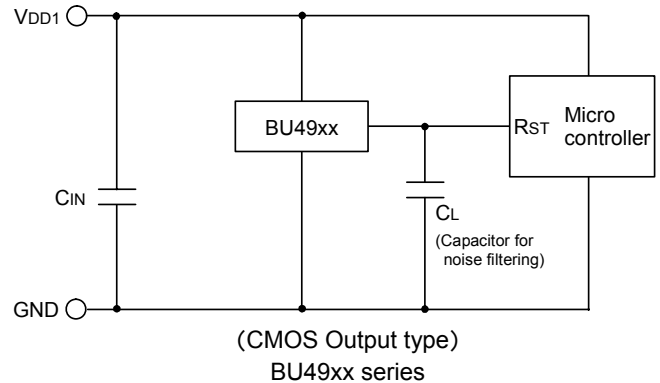
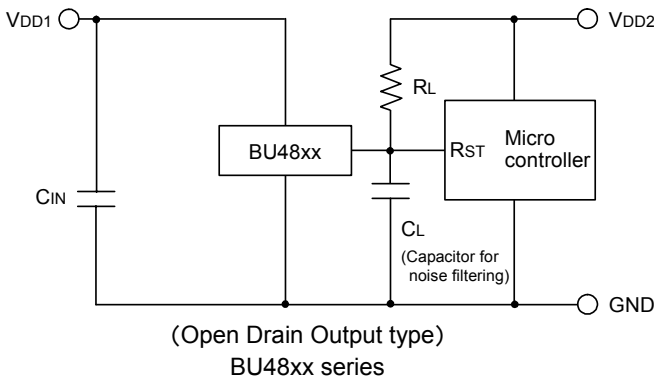
●Package

|       |                          |
|-------|--------------------------|
| SSOP5 | 2.90mm x 2.80mm x 1.25mm |
| SOP4  | 2.00mm x 2.10mm x 0.95mm |
| VSO5  | 1.60mm x 1.60mm x 0.60mm |

●Applications

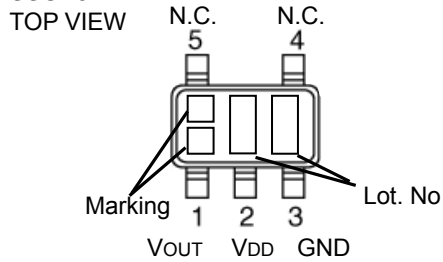
All electronic devices that use micro controllers and logic circuits

●Typical Application Circuit



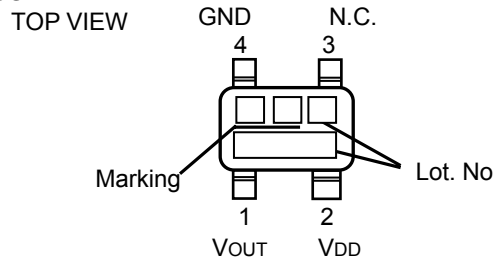
●Connection Diagram & Pin Descriptions

**SSOP5**



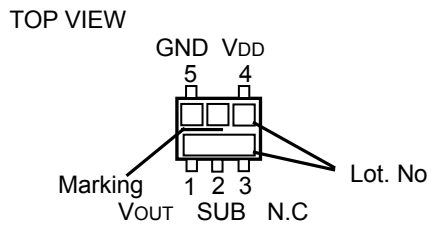
| PIN No. | Symbol | Function             |
|---------|--------|----------------------|
| 1       | VOUT   | Reset output         |
| 2       | VDD    | Power supply voltage |
| 3       | GND    | GND                  |
| 4       | N.C.   | Unconnected terminal |
| 5       | N.C.   | Unconnected terminal |

**SOP4**



| PIN No. | Symbol | Function             |
|---------|--------|----------------------|
| 1       | VOUT   | Reset output         |
| 2       | VDD    | Power supply voltage |
| 3       | N.C.   | Unconnected terminal |
| 4       | GND    | GND                  |

**VSO5**



| PIN No. | Symbol | Function             |
|---------|--------|----------------------|
| 1       | VOUT   | Reset output         |
| 2       | SUB    | Substrate*           |
| 3       | N.C.   | Unconnected terminal |
| 4       | VDD    | Power supply voltage |
| 5       | GND    | GND                  |

\*Connect the substrate to VDD

●Ordering Information

|   |   |  |  |  |
|---|---|--|--|--|
| <span style="font-size: 2em; letter-spacing: 0.5em;">B U X X X X X</span> - <span style="font-size: 2em; letter-spacing: 0.5em;">T R</span> |   |  |  |  |
| Part Number   | Output Type<br>48 : Open Drain<br>49 : CMOS | Reset Voltage Value<br>09 : 0.9V<br>↓ 0.1V step<br>48 : 4.8V | Package<br>G : SSOP5<br>F : SOP4<br>FVE : VSO5 | Packaging and forming specification<br>TR : Embossed tape and reel |

## ●Lineup

| Output Type       | Open Drain |             | CMOS    |             |
|-------------------|------------|-------------|---------|-------------|
| Detection Voltage | Marking    | Part Number | Marking | Part Number |
| 4.8V              | JR         | BU4848      | LH      | BU4948      |
| 4.7V              | JQ         | BU4847      | LG      | BU4947      |
| 4.6V              | JP         | BU4846      | LF      | BU4946      |
| 4.5V              | JN         | BU4845      | LE      | BU4945      |
| 4.4V              | JM         | BU4844      | LD      | BU4944      |
| 4.3V              | JL         | BU4843      | LC      | BU4943      |
| 4.2V              | JK         | BU4842      | LB      | BU4942      |
| 4.1V              | JJ         | BU4841      | LA      | BU4941      |
| 4.0V              | JH         | BU4840      | KZ      | BU4940      |
| 3.9V              | JG         | BU4839      | KY      | BU4939      |
| 3.8V              | JF         | BU4838      | KX      | BU4938      |
| 3.7V              | JE         | BU4837      | KW      | BU4937      |
| 3.6V              | JD         | BU4836      | KV      | BU4936      |
| 3.5V              | JC         | BU4835      | KU      | BU4935      |
| 3.4V              | JB         | BU4834      | KT      | BU4934      |
| 3.3V              | JA         | BU4833      | KS      | BU4933      |
| 3.2V              | HZ         | BU4832      | KR      | BU4932      |
| 3.1V              | HY         | BU4831      | KQ      | BU4931      |
| 3.0V              | HX         | BU4830      | KP      | BU4930      |
| 2.9V              | HW         | BU4829      | KN      | BU4929      |
| 2.8V              | HV         | BU4828      | KM      | BU4928      |
| 2.7V              | HU         | BU4827      | KL      | BU4927      |
| 2.6V              | HT         | BU4826      | KK      | BU4926      |
| 2.5V              | HS         | BU4825      | KJ      | BU4925      |
| 2.4V              | HR         | BU4824      | KH      | BU4924      |
| 2.3V              | HQ         | BU4823      | KG      | BU4923      |
| 2.2V              | HP         | BU4822      | KF      | BU4922      |
| 2.1V              | HN         | BU4821      | KE      | BU4921      |
| 2.0V              | HM         | BU4820      | KD      | BU4920      |
| 1.9V              | HL         | BU4819      | KC      | BU4919      |
| 1.8V              | HK         | BU4818      | KB      | BU4918      |
| 1.7V              | HJ         | BU4817      | KA      | BU4917      |
| 1.6V              | HH         | BU4816      | JZ      | BU4916      |
| 1.5V              | HG         | BU4815      | JY      | BU4915      |
| 1.4V              | HF         | BU4814      | JX      | BU4914      |
| 1.3V              | HE         | BU4813      | JW      | BU4913      |
| 1.2V              | HD         | BU4812      | JV      | BU4912      |
| 1.1V              | HC         | BU4811      | JU      | BU4911      |
| 1.0V              | HB         | BU4810      | JT      | BU4910      |
| 0.9V              | HA         | BU4809      | JS      | BU4909      |

●Absolute Maximum Ratings

| Parameter                   | Symbol                | Limits             | Unit |
|-----------------------------|-----------------------|--------------------|------|
| Power Supply Voltage        | VDD                   | -0.3 to +7         | V    |
| Output Voltage              | Nch Open Drain Output | GND-0.3 to +7      | V    |
|                             | CMOS Output           | GND-0.3 to VDD+0.3 |      |
| Output Current              | Io                    | 70                 | mA   |
| Power Dissipation           | SSOP5 <sup>*1*4</sup> | 540                | mW   |
|                             | SOP4 <sup>*2*4</sup>  | 400                |      |
|                             | VSOF5 <sup>*3*4</sup> | 210                |      |
| Operation Temperature Range | T <sub>opt</sub>      | -40 to +125        | °C   |
| Ambient Storage Temperature | T <sub>stg</sub>      | -55 to +125        | °C   |

\*1 When used at temperatures higher than Ta=25°C, the power is reduced by 5.4mW per 1°C above 25°C.

\*2 When used at temperatures higher than Ta=25°C, the power is reduced by 4.0mW per 1°C above 25°C.

\*3 When used at temperatures higher than Ta=25°C, the power is reduced by 2.1mW per 1°C above 25°C.

\*4 When a ROHM standard circuit board (70mm×70mm×1.6mm, glass epoxy board)is mounted.

●Electrical Characteristics

| Parameter                                 | Symbol               | Condition                                  | Limits                       |                           |                              | Unit                      |       |
|---|----------------------|--|------------------------------|---------------------------|------------------------------|---------------------------|-------|
|   |                      |  | Min.                         | Typ.                      | Max.                         |                           |       |
| Detection Voltage                         | V <sub>DET</sub>     | VDD=H→L, Ta=25°C, RL=470kΩ                 | V <sub>DET(T)</sub><br>×0.99 | V <sub>DET(T)</sub>       | V <sub>DET(T)</sub><br>×1.01 | V                         |       |
|   |                      | V <sub>DET</sub> =1.8V                     | Ta=+25°C                     | 1.782                     | 1.8                          |                           | 1.818 |
|   |                      |  | Ta=-40°C to 85°C             | 1.741                     | -                            |                           | 1.860 |
|   |                      |  | Ta=85°C to 125°C             | 1.718                     | -                            |                           | 1.883 |
|   |                      | V <sub>DET</sub> =2.5V                     | Ta=+25°C                     | 2.475                     | 2.5                          |                           | 2.525 |
|   |                      |  | Ta=-40°C to 85°C             | 2.418                     | -                            |                           | 2.584 |
|   |                      |  | Ta=85°C to 125°C             | 2.386                     | -                            |                           | 2.615 |
|   |                      | V <sub>DET</sub> =3.0V                     | Ta=+25°C                     | 2.970                     | 3.0                          |                           | 3.030 |
|   |                      |  | Ta=-40°C to 85°C             | 2.901                     | -                            |                           | 3.100 |
|   |                      |  | Ta=85°C to 125°C             | 2.864                     | -                            |                           | 3.139 |
|   |                      | V <sub>DET</sub> =3.3V                     | Ta=+25°C                     | 3.267                     | 3.3                          |                           | 3.333 |
|   |                      |  | Ta=-40°C to 85°C             | 3.191                     | -                            |                           | 3.410 |
|   |                      |  | Ta=85°C to 125°C             | 3.150                     | -                            |                           | 3.452 |
|   |                      | V <sub>DET</sub> =4.2V                     | Ta=+25°C                     | 4.158                     | 4.2                          |                           | 4.242 |
| Ta=-40°C to 85°C                          | 4.061                |  | -                            | 4.341                     |                              |                           |       |
| Ta=85°C to 125°C                          | 4.009                |  | -                            | 4.394                     |                              |                           |       |
| Detection Voltage Temperature Coefficient | V <sub>DET</sub> /ΔT | Ta=-40°C to 125°C <sup>*1</sup>            | -                            | ±30                       | -                            | ppm/°C                    |       |
| Hysteresis Voltage                        | ΔV <sub>DET</sub>    | VDD=L→H→L<br>Ta=-40°C to 125°C<br>RL=470kΩ | V <sub>DET</sub> ≤1.0V       | V <sub>DET</sub><br>×0.03 | V <sub>DET</sub><br>×0.05    | V <sub>DET</sub><br>×0.08 | V     |
|   |                      |  | V <sub>DET</sub> ≥1.1V       | V <sub>DET</sub><br>×0.03 | V <sub>DET</sub><br>×0.05    | V <sub>DET</sub><br>×0.07 |       |

\*1 Guaranteed by design.(Outgoing inspection is not done on all products.)

V<sub>DET(T)</sub>: Standard Detection Voltage (0.9V to 4.8V, 0.1V step)

RL: Pull-up resistor to be connected between V<sub>OUT</sub> and power supply.

Unless Otherwise Specified Ta=-25 to 125°C

| Parameter                                     | Symbol            | Condition                                     | Limit         |      |      | Unit |    |
|---|-------------------|---|---------------|------|------|------|----|
|   |                   |   | Min.          | Typ. | Max. |      |    |
| Circuit Current when ON                       | IDD1              | VDD=VDET-0.2V                                 | VDET=0.9-1.3V | -    | 0.15 | 0.88 | μA |
|   |                   |   | VDET=1.4-2.1V | -    | 0.20 | 1.05 |    |
|   |                   |   | VDET=2.2-2.7V | -    | 0.25 | 1.23 |    |
|   |                   |   | VDET=2.8-3.3V | -    | 0.30 | 1.40 |    |
|   |                   |   | VDET=3.4-4.2V | -    | 0.35 | 1.58 |    |
|   |                   |   | VDET=4.3-4.8V | -    | 0.40 | 1.75 |    |
| Circuit Current when OFF                      | IDD2              | VDD=VDET+2.0V                                 | VDET=0.9-1.3V | -    | 0.30 | 1.40 | μA |
|   |                   |   | VDET=1.4-2.1V | -    | 0.35 | 1.58 |    |
|   |                   |   | VDET=2.2-2.7V | -    | 0.40 | 1.75 |    |
|   |                   |   | VDET=2.8-3.3V | -    | 0.45 | 1.93 |    |
|   |                   |   | VDET=3.4-4.2V | -    | 0.50 | 2.10 |    |
|   |                   |   | VDET=4.3-4.8V | -    | 0.55 | 2.28 |    |
| Operating Voltage Range                       | VOPL              | VOL≤0.4V, Ta=25 to 125°C, RL=470kΩ            | 0.70          | -    | -    | V    |    |
|   |                   | VOL≤0.4V, Ta=-40 to 25°C, RL=470kΩ            | 0.90          | -    | -    |      |    |
| 'Low' Output Voltage (Nch)                    | VOL               | VDD=0.85V, ISINK = 20 μA                      | -             | -    | 0.05 | V    |    |
|   |                   | VDD=1.5V, ISINK = 1 mA, VDET=1.7-4.8V         | -             | -    | 0.5  | V    |    |
|   |                   | VDD=2.4V, ISINK = 4 mA, VDET=2.7-4.8V         | -             | -    | 0.5  |      |    |
| 'High' Output Voltage (Pch)<br>(only BU49xx)  | VOH               | VDD=4.8V, ISOURCE=1.7mA,<br>VDET=0.9V to 3.9V | VDD-0.5       | -    | -    | V    |    |
|   |                   | VDD=6.0V, ISOURCE=2.0mA,<br>VDET=4.0V to 4.8V | VDD-0.5       | -    | -    |      |    |
| Output Leak Current when OFF<br>(only BU48xx) | I <sub>leak</sub> | VDD=VDS=7V<br>Ta=-40°C to 85°C                | -             | 0    | 0.1  | μA   |    |
|   |                   | VDD=VDS=7V<br>Ta=85°C to 125°C                | -             | 0    | 1    |      |    |

\* This product is not designed for protection against radioactive rays.  
V<sub>DET</sub>(T): Standard Detection Voltage (0.9V to 4.8V, 0.1V step)  
R<sub>L</sub>: Pull-up resistor to be connected between VOUT and power supply.

●Block Diagrams

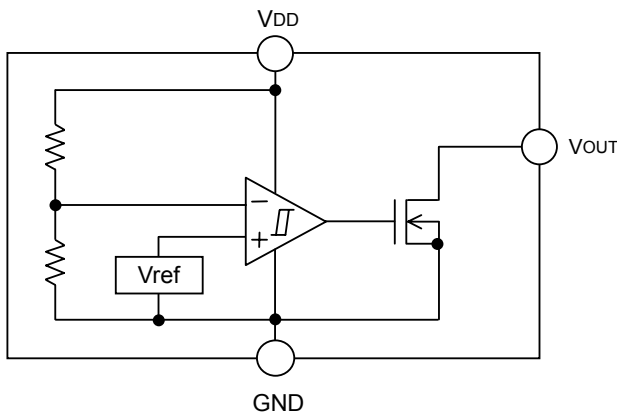


Fig.1 BU48xx Series

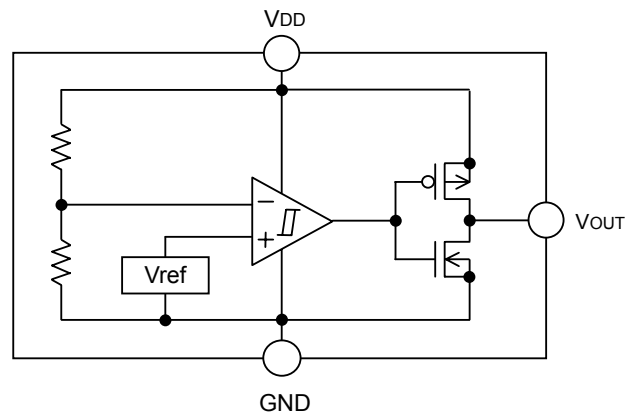


Fig.2 BU49xx Series

● Typical Performance Curves

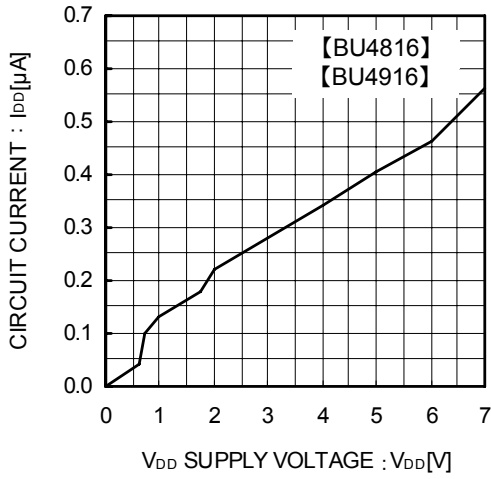


Fig.3 Circuit Current

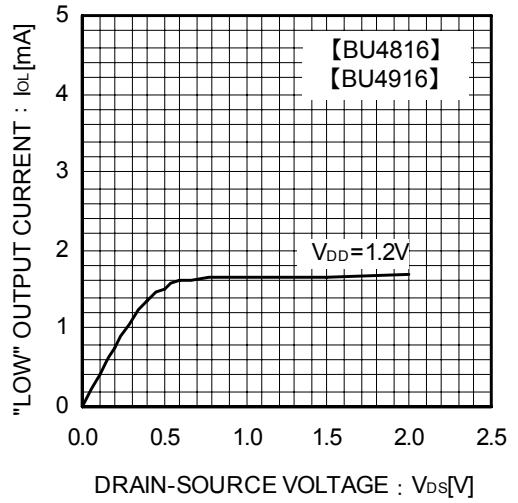


Fig.4 "LOW" Output Current

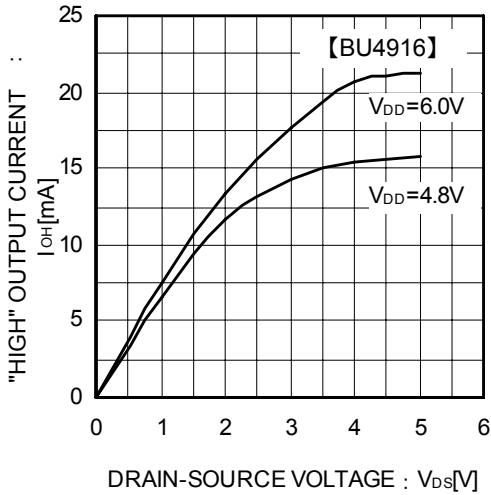


Fig.5 "High" Output Current

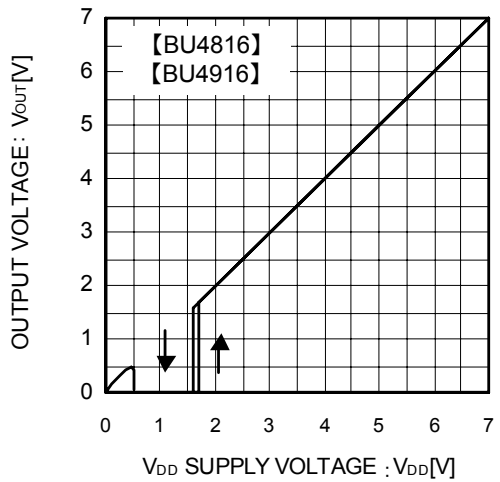


Fig.6 I/O Characteristics

● Typical Performance Curves – continued

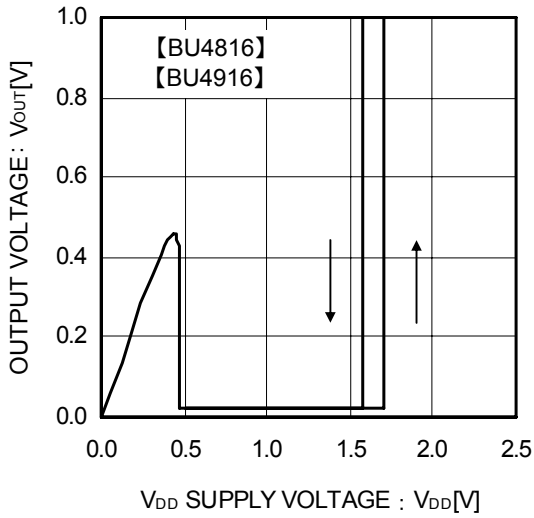


Fig.7 Operating Limit Voltage

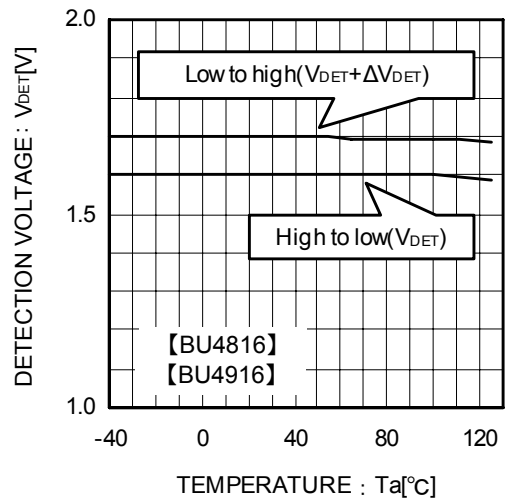


Fig.8 Detecting Voltage Release Voltage

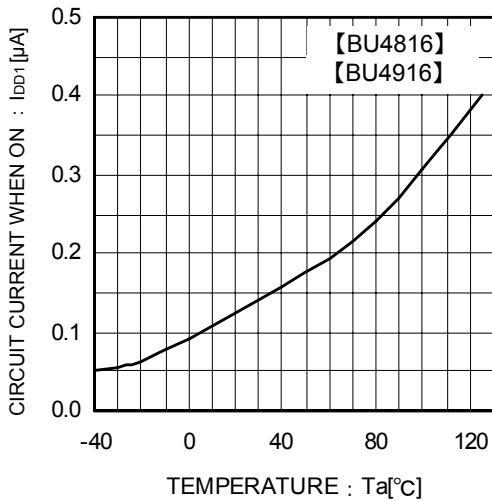


Fig.9 Circuit Current when ON

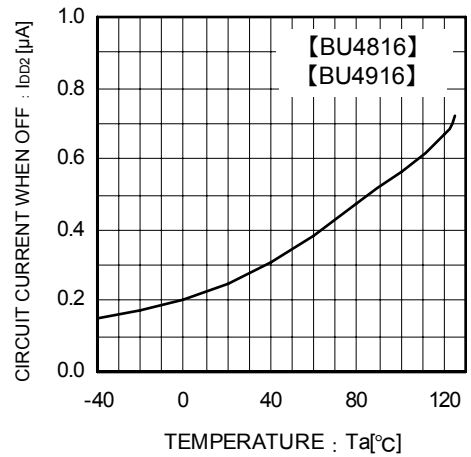


Fig.10 Circuit Current when OFF

● Typical Performance Curves – continued

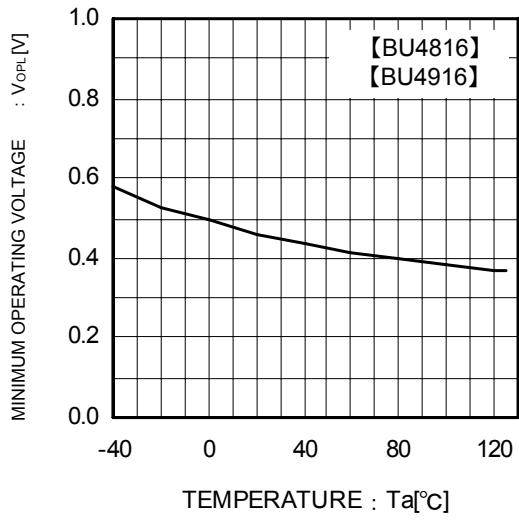


Fig.11 Operating Limit Voltage



● Application Information

Explanation of Operation

For both the open drain type(Fig.12)and the CMOS output type(Fig.13), the detection and release voltages are used as threshold voltages. When the voltage applied to the VDD pins reaches the applicable threshold voltage, the VOUT terminal voltage switches from either “High” to “Low” or from “Low” to “High”. Because the BU48xx series uses an open drain output type, it is possible to connect a pull-up resistor to VDD or another power supply [The output “High” voltage (VOUT) in this case becomes VDD or the voltage of the other power supply].

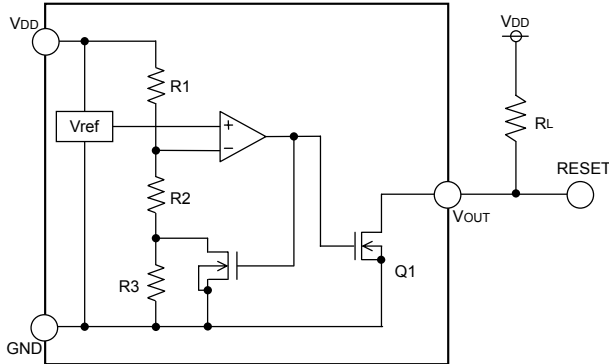


Fig. 12 (BU48xx type internal block diagram)

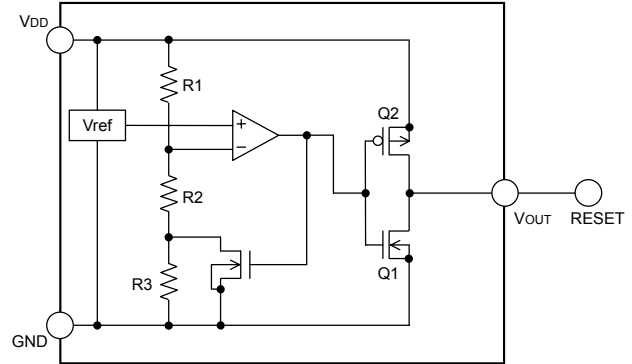


Fig. 13 (BU49xx type internal block diagram)

Reference Data

Examples of Output rising value(tPLH)and Output falling value(tPHL)

| Part Number | tPLH[μs] | tPHL[μs] |
|-------------|----------|----------|
| BU4845      | 23.3     | 275.9    |
| BU4945      | 3.5      | 354.3    |

VDD=4.3V→5.1V

VDD=5.1V→4.3V

\* This data is for reference only.

This figure will vary with the application, so please confirm actual operation conditions before use.

Timing Waveforms

Example:The following shows the relationship between the input voltage VDD, the CT Terminal Voltage VCT and the output voltage VOUT when the input power supply voltage VDD is made to sweep up and sweep down (The circuits are those in Fig.12 and 13).

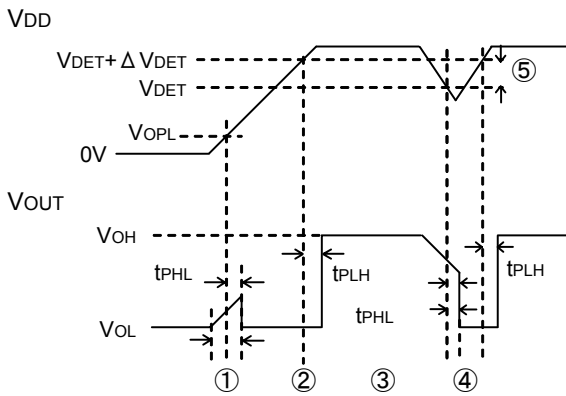


Fig. 14 Timing Waveforms

- ①When the power supply is turned on, the output is unsettled from after over the operating limit voltage (VOPL) until tPHL. Therefore it is possible that the reset signal is not outputted when the rise time of VDD is faster than tPHL.
- ②When VDD is greater than VOPL but less than the reset release voltage (VDET + VDET), output (VOUT) voltages will switch to L.
- ③If VDD exceeds the reset release voltage (VDET + VDET), then VOUT switches from L to H (with a delay of tPLH).
- ④If VDD drops below the detection voltage (VDET) when the power supply is powered down or when there is a power supply fluctuation, VOUT switches to L (with a delay of tPHL).
- ⑤The potential difference between the detection voltage and the release voltage is known as the hysteresis width (VDET). The system is designed such that the output does not flip-flop with power supply fluctuations within this hysteresis width, preventing malfunctions due to noise.

●Circuit Applications

1) Examples of a common power supply detection reset circuit

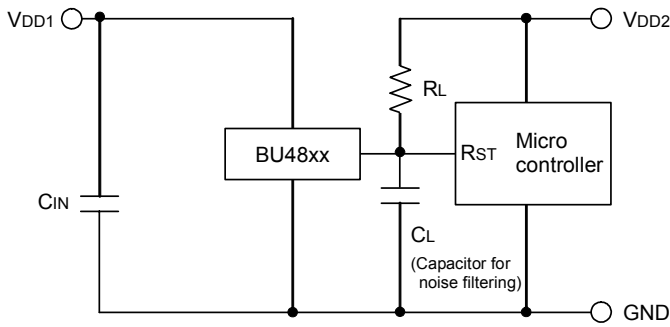


Fig.15 Open Drain Output type

Application examples of BU48xx series (Open Drain output type) and BU49xx series (CMOS output type) are shown below.

CASE1: The power supply of the microcontroller (VDD2) differs from the power supply of the reset detection (VDD1). Use the Open Drain Output Type (BU48xx series). Attach a load resistance (RL) between the output and VDD2. (As shown Fig.15)

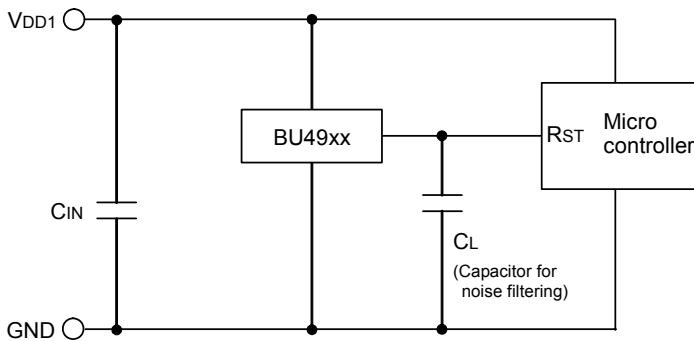


Fig.16 CMOS Output type

CASE2: The power supply of the microcontroller (VDD1) is same as the power supply of the reset detection (VDD1). Use CMOS output type (BU43xx series) or Open Drain Output Type (BU48xx series). Attach a load resistance (RL) between the output and VDD1. (As shown Fig.16)

When a capacitance CL for noise filtering for setting the output delay time is connected to the VOUT pin (the reset signal input terminal of the microcontroller), please take into account the waveform of the rise and fall of the output voltage (VOUT).

2) The following is an example of a circuit application in which an OR connection between two types of detection voltage resets the microcontroller.

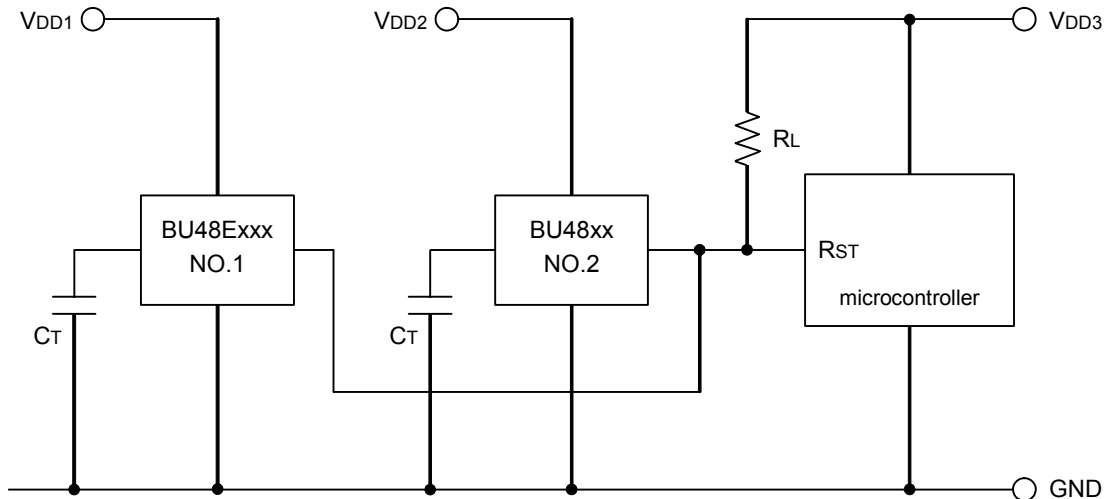


Fig.17

To reset the microcontroller when many independent power supplies are used in the system, OR connect an open drain output type (BU48xx series) to the microcontroller's input with pull-up resistor to the supply voltage of the microcontroller (VDD3) as shown in Fig. 20. By pulling-up to VDD3, output "High" voltage of micro-controller power supply is possible.

3) Examples of the power supply with resistor dividers

In applications where the power supply input terminal (VDD) of an IC is connected through resistor dividers, it is possible that a through current will momentarily flow into the circuit when the output logic switches, resulting in malfunctions (such as output oscillatory state). (Through-current is a current that momentarily flows from the power supply (VDD) to ground (GND) when the output level switches from "High" to "Low" or vice versa.)

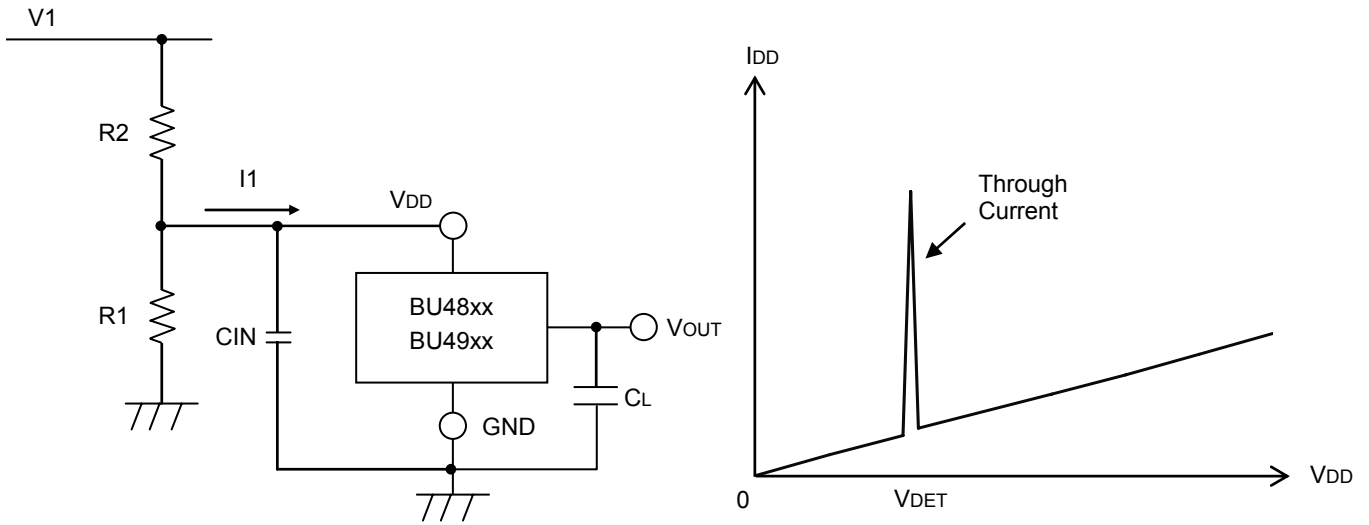


Fig.18

A voltage drop of [the through-current (I1)] × [input resistor (R2)] is caused by the through current, and the input voltage to descends, when the output switches from "Low" to "High". When the input voltage decreases and falls below the detection voltage, the output voltage switches from "High" to "Low". At this time, the through-current stops through output "Low", and the voltage drop is eliminated. As a result, the output switches from "Low" to "High", which again causes the through current to flow and the voltage drop. This process is repeated, resulting in oscillation.

Consider the use of BD48xx when the power supply input it with resistor dividers.

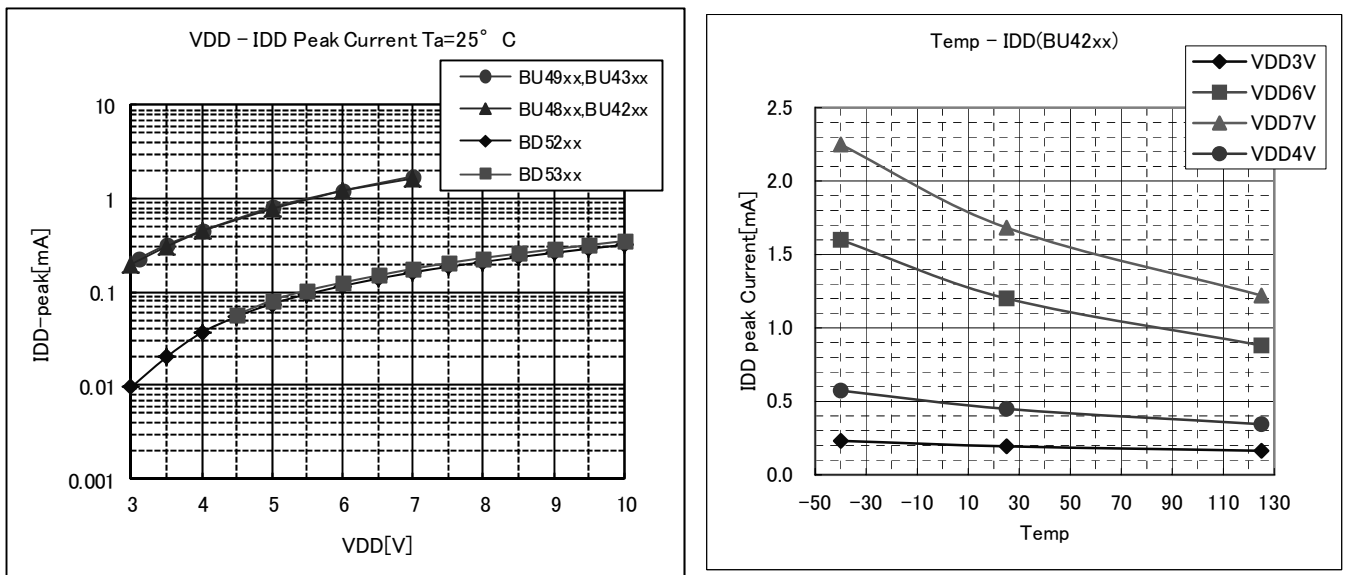


Fig.19 Current Consumption vs. Power Supply Voltage

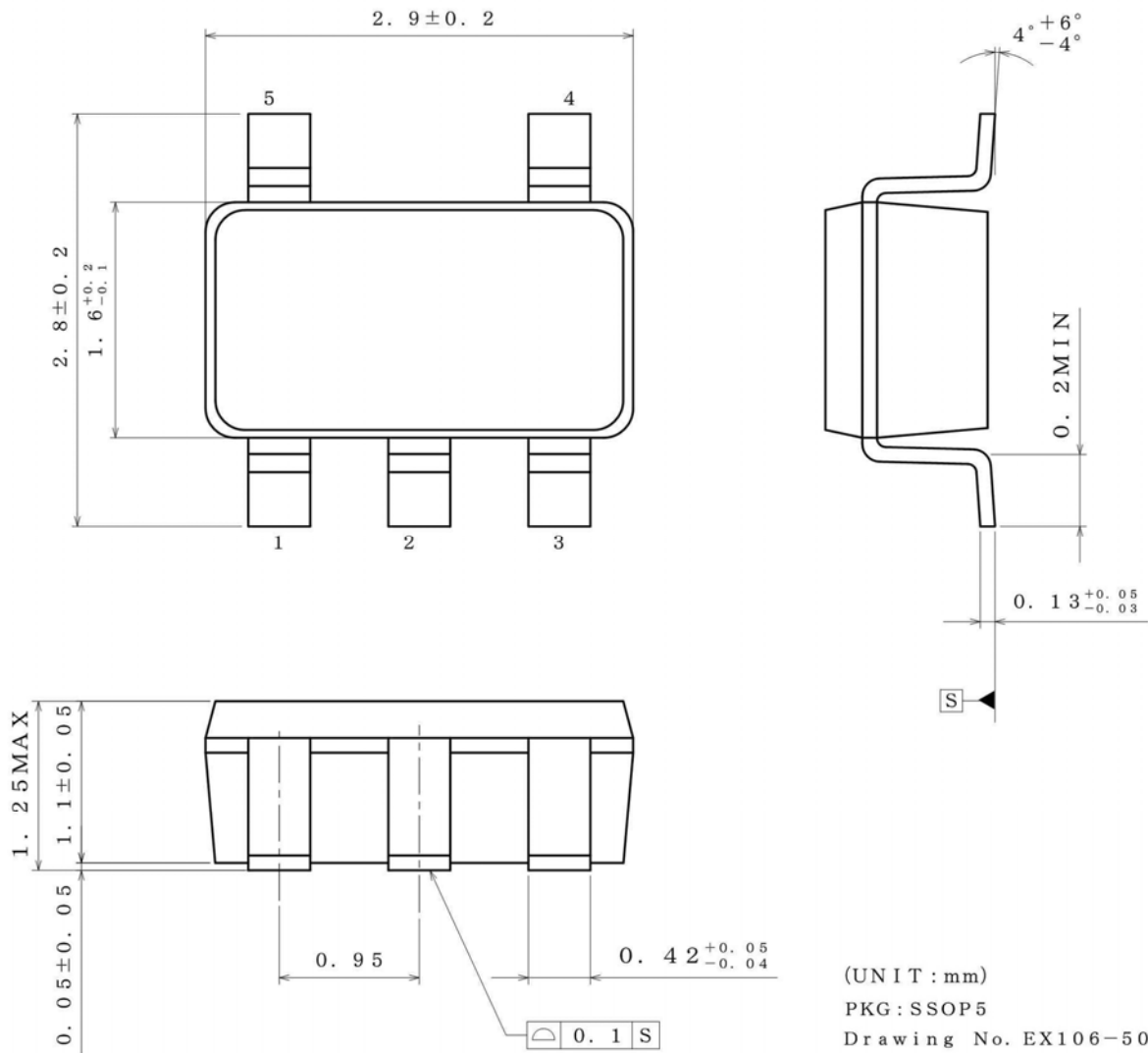
\* This data is for reference only.  
The figures will vary with the application, so please confirm actual operating conditions before use.

## ●Operational Notes

- 1) Absolute maximum ratings  
Operating the IC over the absolute maximum ratings may damage the IC. The damage can either be a short circuit between pins or an open circuit between pins. Therefore, it is important to consider circuit protection measures, such as adding a fuse, in case the IC is operated over the absolute maximum ratings.
- 2) Ground Voltage  
The voltage of the ground pin must be the lowest voltage of all pins of the IC at all operating conditions. Ensure that no pins are at a voltage below the ground pin at any time, even during transient condition.
- 3) Recommended operating conditions  
These conditions represent a range within which the expected characteristics of the IC can be approximately obtained. The electrical characteristics are guaranteed under the conditions of each parameter.
- 4) Bypass Capacitor for Noise Rejection  
To help reject noise, put a 1 $\mu$ F capacitor between V<sub>DD</sub> pin and GND and 1000pF capacitor between V<sub>OUT</sub> pin and GND. Be careful when using extremely big capacitor as transient response will be affected.
- 5) Short between pins and mounting errors  
Be careful when mounting the IC on printed circuit boards. The IC may be damaged if it is mounted in a wrong orientation or if pins are shorted together. Short circuit may be caused by conductive particles caught between the pins.
- 6) Operation under strong electromagnetic field  
Operating the IC in the presence of a strong electromagnetic field may cause the IC to malfunction.
- 7) The V<sub>DD</sub> line impedance might cause oscillation because of the detection current.
- 8) A V<sub>DD</sub> to GND capacitor (as close connection as possible) should be used in high V<sub>DD</sub> line impedance condition.
- 9) Lower than the minimum input voltage puts the V<sub>OUT</sub> in high impedance state, and it must be V<sub>DD</sub> in pull up (V<sub>DD</sub>) condition.
- 10) External parameters  
The case of needless "Delay Time", recommended to insert more 470k $\Omega$  resistor between V<sub>DD</sub> and C<sub>T</sub>. The recommended value of R<sub>L</sub> Resistor is over 10k $\Omega$  to 1M $\Omega$  for V<sub>DET</sub>=1.5V to 4.8V, and over 100k $\Omega$  to 1M $\Omega$  for V<sub>DET</sub>=0.9V to 1.4V. The recommended value of C<sub>T</sub> Capacitor is over 100pF to 0.1 $\mu$ F. There are many factors (board layout, etc) that can affect characteristics. Please verify and confirm using practical applications.
- 11) Power on reset operation  
Please note that the power on reset output varies with the V<sub>DD</sub> rise time. Please verify the behavior in the actual operation.
- 12) Testing on application boards  
When testing the IC on an application board, connecting a capacitor directly to a low-impedance output pin may subject the IC to stress. Always discharge capacitors completely after each process or step. The IC's power supply should always be turned off completely before connecting or removing it from the test setup during the inspection process. To prevent damage from static discharge, ground the IC during assembly and use similar precautions during transport and storage.
- 13) Rush current  
When power is first supplied to the IC, rush current may flow instantaneously. It is possible that the charge current to the parasitic capacitance of internal photo diode or the internal logic may be unstable. Therefore, give special consideration to power coupling capacitance, power wiring, width of GND wiring, and routing of connections.
- 14) C<sub>T</sub> pin discharge  
Due to the capabilities of the C<sub>T</sub> pin discharge transistor, the C<sub>T</sub> pin may not completely discharge when a short input pulse is applied, and in this case the delay time may not be controlled. Please verify the actual operation.
- 15) This IC has extremely high impedance terminals. Small leak current due to the uncleanness of PCB surface might cause unexpected operations. Application values in these conditions should be selected carefully. If 10M $\Omega$  leakage is assumed between the C<sub>T</sub> terminal and the GND terminal, 1M $\Omega$  connection between the CT terminal and the V<sub>DD</sub> terminal would be recommended. Also, if the leakage is assumed between the Vout terminal and the GND terminal, the pull up resistor should be less than 1/10 of the assumed leak resistance. The value of R<sub>ct</sub> depends on the external resistor that is connected to C<sub>T</sub> terminal, so please consider the delay time that is decided by  $t \times R_{CT} \times C_{CT}$  changes.

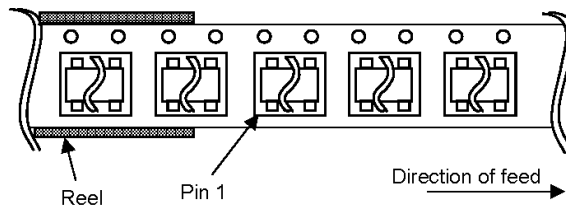
Physical Dimension, Tape and Reel Information

|              |       |
|--------------|-------|
| Package Name | SSOP5 |
|--------------|-------|



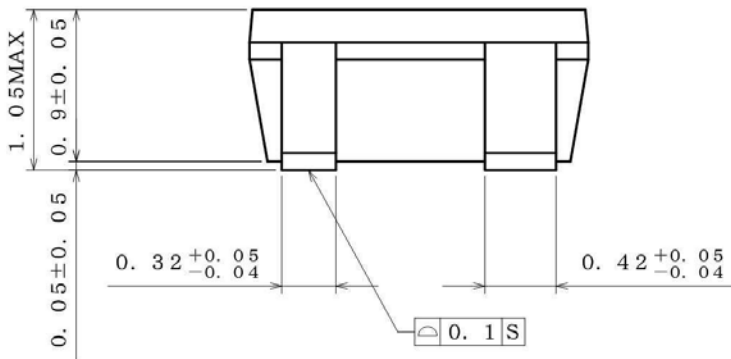
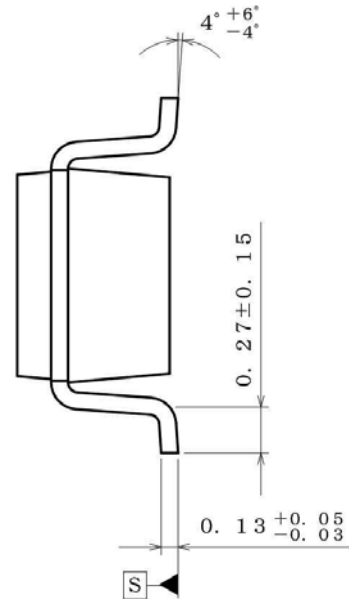
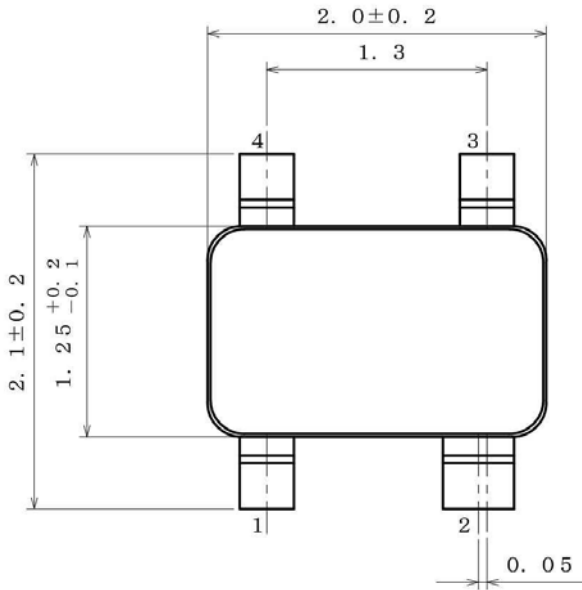
< Tape and Reel Information >

|                   |  |
|-------------------|--|
| Tape              | Embossed carrier tape  |
| Quantity          | 3000pcs  |
| Direction of feed | TL<br>( The direction is the 1 pin of product is at the lower left when you hold reel on the left hand and you pull out the tape on the right hand ) |



Physical Dimension, Tape and Reel Information

|              |      |
|--------------|------|
| Package Name | SOP4 |
|--------------|------|



(UNIT : mm)

PKG : SOP4

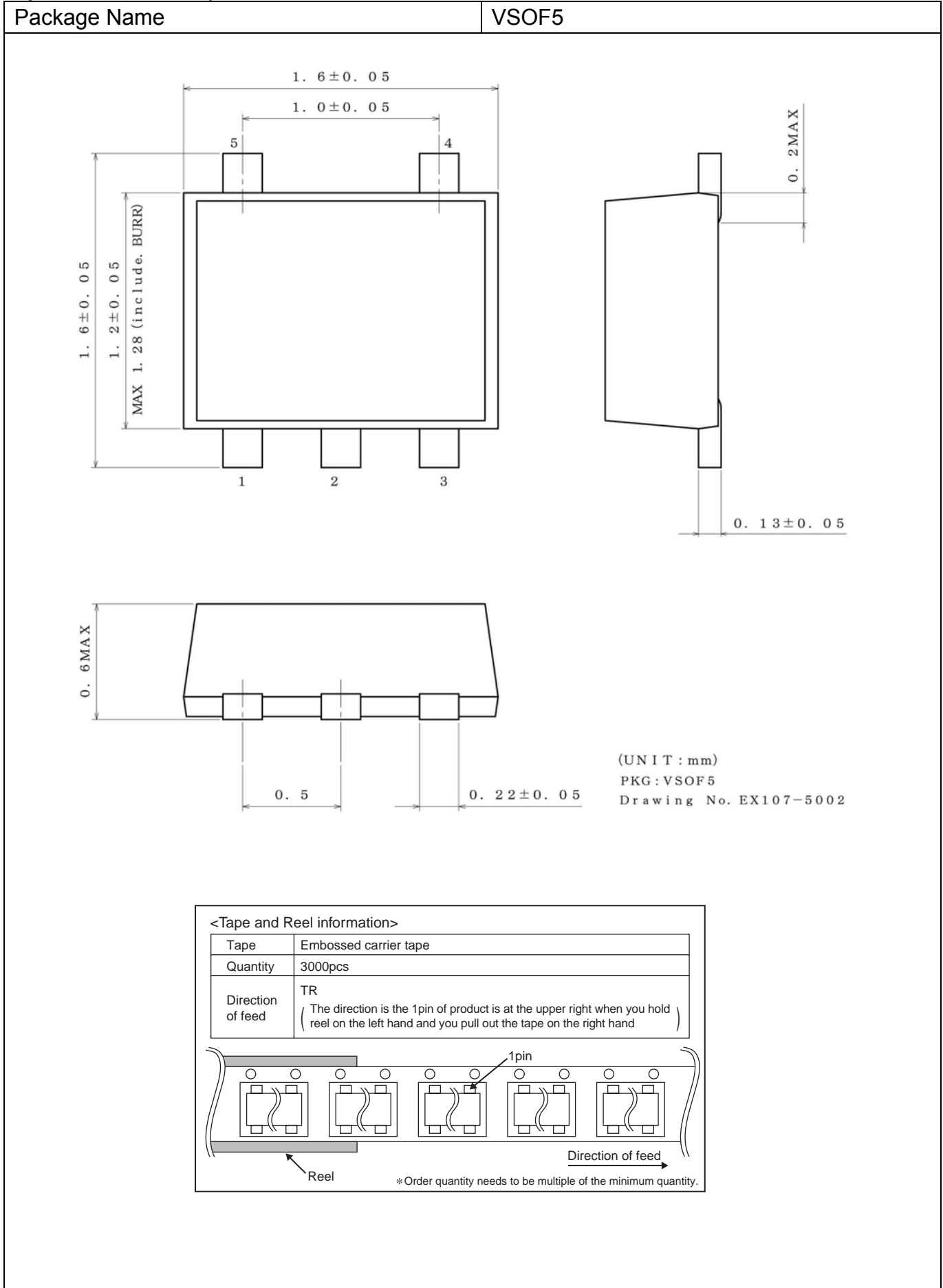
Drawing No. EX124-5001

<Tape and Reel information>

|                   |  |
|-------------------|--|
| Tape              | Embossed carrier tape  |
| Quantity          | 3000pcs  |
| Direction of feed | TR<br>( The direction is the 1pin of product is at the upper right when you hold reel on the left hand and you pull out the tape on the right hand ) |

\*Order quantity needs to be multiple of the minimum quantity.

Physical Dimension, Tape and Reel Information



# Notice

## Precaution on using ROHM Products

- Our Products are designed and manufactured for application in ordinary electronic equipments (such as AV equipment, OA equipment, telecommunication equipment, home electronic appliances, amusement equipment, etc.). If you intend to use our Products in devices requiring extremely high reliability (such as medical equipment <sup>(Note 1)</sup>, transport equipment, traffic equipment, aircraft/spacecraft, nuclear power controllers, fuel controllers, car equipment including car accessories, safety devices, etc.) and whose malfunction or failure may cause loss of human life, bodily injury or serious damage to property ("Specific Applications"), please consult with the ROHM sales representative in advance. Unless otherwise agreed in writing by ROHM in advance, ROHM shall not be in any way responsible or liable for any damages, expenses or losses incurred by you or third parties arising from the use of any ROHM's Products for Specific Applications.

(Note1) Medical Equipment Classification of the Specific Applications

| JAPAN     | USA       | EU         | CHINA     |
|-----------|-----------|------------|-----------|
| CLASS III | CLASS III | CLASS II b | CLASS III |
| CLASS IV  |           | CLASS III  |           |

- ROHM designs and manufactures its Products subject to strict quality control system. However, semiconductor products can fail or malfunction at a certain rate. Please be sure to implement, at your own responsibilities, adequate safety measures including but not limited to fail-safe design against the physical injury, damage to any property, which a failure or malfunction of our Products may cause. The following are examples of safety measures:
  - Installation of protection circuits or other protective devices to improve system safety
  - Installation of redundant circuits to reduce the impact of single or multiple circuit failure
- Our Products are designed and manufactured for use under standard conditions and not under any special or extraordinary environments or conditions, as exemplified below. Accordingly, ROHM shall not be in any way responsible or liable for any damages, expenses or losses arising from the use of any ROHM's Products under any special or extraordinary environments or conditions. If you intend to use our Products under any special or extraordinary environments or conditions (as exemplified below), your independent verification and confirmation of product performance, reliability, etc. prior to use, must be necessary:
  - Use of our Products in any types of liquid, including water, oils, chemicals, and organic solvents
  - Use of our Products outdoors or in places where the Products are exposed to direct sunlight or dust
  - Use of our Products in places where the Products are exposed to sea wind or corrosive gases, including Cl<sub>2</sub>, H<sub>2</sub>S, NH<sub>3</sub>, SO<sub>2</sub>, and NO<sub>2</sub>
  - Use of our Products in places where the Products are exposed to static electricity or electromagnetic waves
  - Use of our Products in proximity to heat-producing components, plastic cords, or other flammable items
  - Sealing or coating our Products with resin or other coating materials
  - Use of our Products without cleaning residue of flux (even if you use no-clean type fluxes, cleaning residue of flux is recommended); or Washing our Products by using water or water-soluble cleaning agents for cleaning residue after soldering
  - Use of the Products in places subject to dew condensation
- The Products are not subject to radiation-proof design.
- Please verify and confirm characteristics of the final or mounted products in using the Products.
- In particular, if a transient load (a large amount of load applied in a short period of time, such as pulse. is applied, confirmation of performance characteristics after on-board mounting is strongly recommended. Avoid applying power exceeding normal rated power; exceeding the power rating under steady-state loading condition may negatively affect product performance and reliability.
- De-rate Power Dissipation (Pd) depending on Ambient temperature (Ta). When used in sealed area, confirm the actual ambient temperature.
- Confirm that operation temperature is within the specified range described in the product specification.
- ROHM shall not be in any way responsible or liable for failure induced under deviant condition from what is defined in this document.

## Precaution for Mounting / Circuit board design

- When a highly active halogenous (chlorine, bromine, etc.) flux is used, the residue of flux may negatively affect product performance and reliability.
- In principle, the reflow soldering method must be used on a surface-mount products, the flow soldering method must be used on a through hole mount products. If the flow soldering method is preferred on a surface-mount products, please consult with the ROHM representative in advance.

For details, please refer to ROHM Mounting specification



### Precautions Regarding Application Examples and External Circuits

1. If change is made to the constant of an external circuit, please allow a sufficient margin considering variations of the characteristics of the Products and external components, including transient characteristics, as well as static characteristics.
2. You agree that application notes, reference designs, and associated data and information contained in this document are presented only as guidance for Products use. Therefore, in case you use such information, you are solely responsible for it and you must exercise your own independent verification and judgment in the use of such information contained in this document. ROHM shall not be in any way responsible or liable for any damages, expenses or losses incurred by you or third parties arising from the use of such information.

### Precaution for Electrostatic

This Product is electrostatic sensitive product, which may be damaged due to electrostatic discharge. Please take proper caution in your manufacturing process and storage so that voltage exceeding the Products maximum rating will not be applied to Products. Please take special care under dry condition (e.g. Grounding of human body / equipment / solder iron, isolation from charged objects, setting of Ionizer, friction prevention and temperature / humidity control).

### Precaution for Storage / Transportation

1. Product performance and soldered connections may deteriorate if the Products are stored in the places where:
  - [a] the Products are exposed to sea winds or corrosive gases, including Cl<sub>2</sub>, H<sub>2</sub>S, NH<sub>3</sub>, SO<sub>2</sub>, and NO<sub>2</sub>
  - [b] the temperature or humidity exceeds those recommended by ROHM
  - [c] the Products are exposed to direct sunshine or condensation
  - [d] the Products are exposed to high Electrostatic
2. Even under ROHM recommended storage condition, solderability of products out of recommended storage time period may be degraded. It is strongly recommended to confirm solderability before using Products of which storage time is exceeding the recommended storage time period.
3. Store / transport cartons in the correct direction, which is indicated on a carton with a symbol. Otherwise bent leads may occur due to excessive stress applied when dropping of a carton.
4. Use Products within the specified time after opening a humidity barrier bag. Baking is required before using Products of which storage time is exceeding the recommended storage time period.

### Precaution for Product Label

QR code printed on ROHM Products label is for ROHM's internal use only.

### Precaution for Disposition

When disposing Products please dispose them properly using an authorized industry waste company.

### Precaution for Foreign Exchange and Foreign Trade act

Since our Products might fall under controlled goods prescribed by the applicable foreign exchange and foreign trade act, please consult with ROHM representative in case of export.

### Precaution Regarding Intellectual Property Rights

1. All information and data including but not limited to application example contained in this document is for reference only. ROHM does not warrant that foregoing information or data will not infringe any intellectual property rights or any other rights of any third party regarding such information or data. ROHM shall not be in any way responsible or liable for infringement of any intellectual property rights or other damages arising from use of such information or data.:
2. No license, expressly or implied, is granted hereby under any intellectual property rights or other rights of ROHM or any third parties with respect to the information contained in this document.

### Other Precaution

1. This document may not be reprinted or reproduced, in whole or in part, without prior written consent of ROHM.
2. The Products may not be disassembled, converted, modified, reproduced or otherwise changed without prior written consent of ROHM.
3. In no event shall you use in any way whatsoever the Products and the related technical information contained in the Products or this document for any military purposes, including but not limited to, the development of mass-destruction weapons.
4. The proper names of companies or products described in this document are trademarks or registered trademarks of ROHM, its affiliated companies or third parties.

**General Precaution**

1. Before you use our Products, you are requested to carefully read this document and fully understand its contents. ROHM shall not be in any way responsible or liable for failure, malfunction or accident arising from the use of any ROHM's Products against warning, caution or note contained in this document.
2. All information contained in this document is current as of the issuing date and subject to change without any prior notice. Before purchasing or using ROHM's Products, please confirm the latest information with a ROHM sales representative.
3. The information contained in this document is provided on an "as is" basis and ROHM does not warrant that all information contained in this document is accurate and/or error-free. ROHM shall not be in any way responsible or liable for any damages, expenses or losses incurred by you or third parties resulting from inaccuracy or errors of or concerning such information.



Компания «ЭлектроПласт» предлагает заключение долгосрочных отношений при поставках импортных электронных компонентов на взаимовыгодных условиях!

Наши преимущества:

- Оперативные поставки широкого спектра электронных компонентов отечественного и импортного производства напрямую от производителей и с крупнейших мировых складов;
- Поставка более 17-ти миллионов наименований электронных компонентов;
- Поставка сложных, дефицитных, либо снятых с производства позиций;
- Оперативные сроки поставки под заказ (от 5 рабочих дней);
- Экспресс доставка в любую точку России;
- Техническая поддержка проекта, помощь в подборе аналогов, поставка прототипов;
- Система менеджмента качества сертифицирована по Международному стандарту ISO 9001;
- Лицензия ФСБ на осуществление работ с использованием сведений, составляющих государственную тайну;
- Поставка специализированных компонентов (Xilinx, Altera, Analog Devices, Intersil, Interpoint, Microsemi, Aeroflex, Peregrine, Syfer, Eurofarad, Texas Instrument, Miteq, Cobham, E2V, MA-COM, Hittite, Mini-Circuits, General Dynamics и др.);

Помимо этого, одним из направлений компании «ЭлектроПласт» является направление «Источники питания». Мы предлагаем Вам помощь Конструкторского отдела:

- Подбор оптимального решения, техническое обоснование при выборе компонента;
- Подбор аналогов;
- Консультации по применению компонента;
- Поставка образцов и прототипов;
- Техническая поддержка проекта;
- Защита от снятия компонента с производства.



#### Как с нами связаться

**Телефон:** 8 (812) 309 58 32 (многоканальный)

**Факс:** 8 (812) 320-02-42

**Электронная почта:** [org@eplast1.ru](mailto:org@eplast1.ru)

**Адрес:** 198099, г. Санкт-Петербург, ул. Калинина, дом 2, корпус 4, литера А.