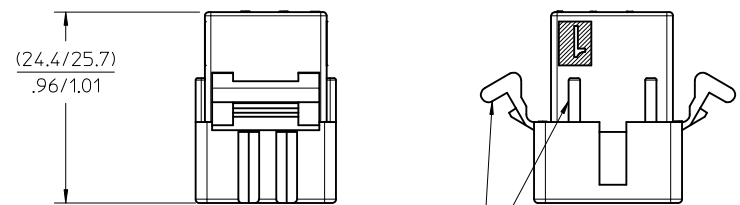
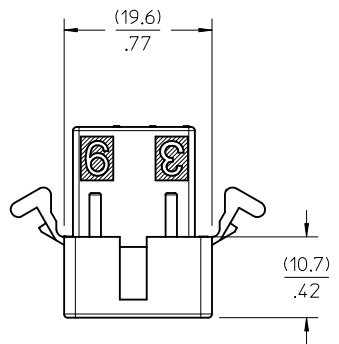
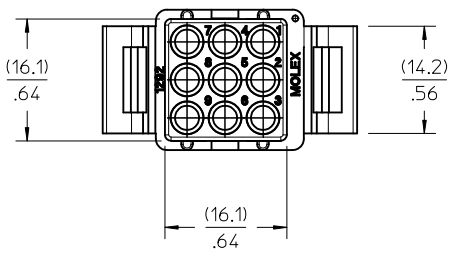
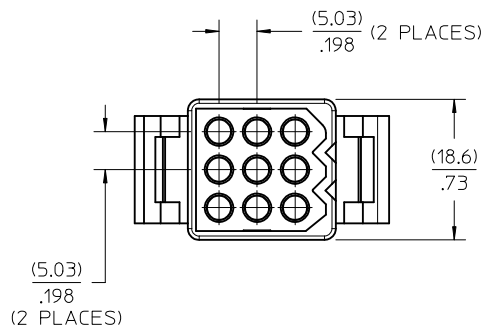


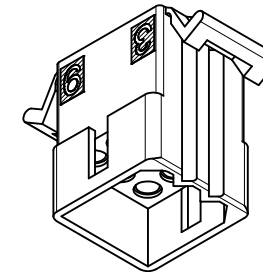
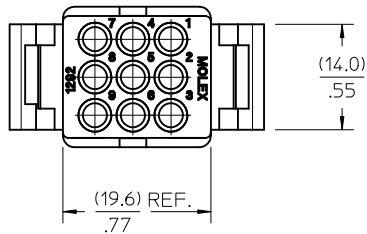
STANDARD PLUG
1292-P2 SHOWN WITH
RIBS & PREBENT EARS



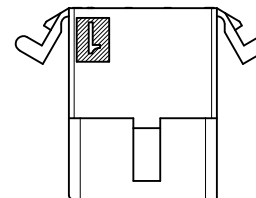
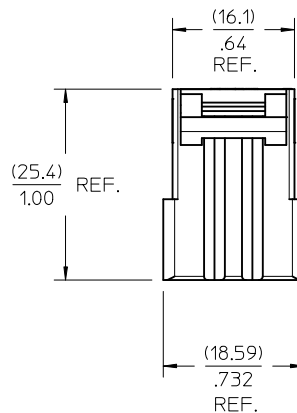
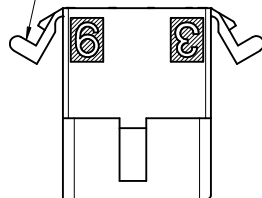
MOUNTING EARS AND
RIBS OPTION (SEE DETAIL 4 & NOTE 3,
ON DRAWING SD-1292-0003)



REDRAWN EC NO: UCP2010-2311 DRWNG: CSTEWARD 2011/07/21 CHKD: APPR: FSMITH 2011/09/12 REV: V	QUALITY SYMBOLS ▽=0 ▽=0 ▽=0	GENERAL TOLERANCES (UNLESS SPECIFIED)		DIMENSION STYLE MM/IN		SCALE 2:1	DESIGN UNITS METRIC	THIRD ANGLE PROJECTION			
				DRAWN BY CSTEWARD	DATE 2011/07/21	TITLE .093/(2.36) HOUSING, PLUG 9 CKT. .198/(5.03) CTRS					
				CHECKED BY DATE		APPROVED BY FSMITH		DATE 2011/09/12		DOCUMENT NO. SD-1292-0001	
				MATERIAL NO. SEE DWG SD-1292-0003		SIZE C		SHEET NO. 1 OF 1			
DRAFT WHERE APPLICABLE MUST REMAIN WITHIN DIMENSIONS											
THIS DRAWING CONTAINS INFORMATION THAT IS PROPRIETARY TO MOLEX INCORPORATED AND SHOULD NOT BE USED WITHOUT WRITTEN PERMISSION											

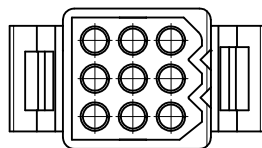


MOUNTING EARS OPTIONAL
(PREBENT EAR ONLY)
SEE DETAIL 4 ON
DRAWING SD-1292-0003

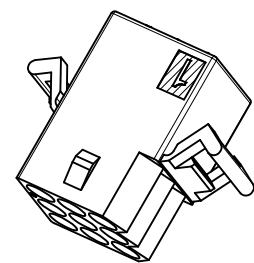
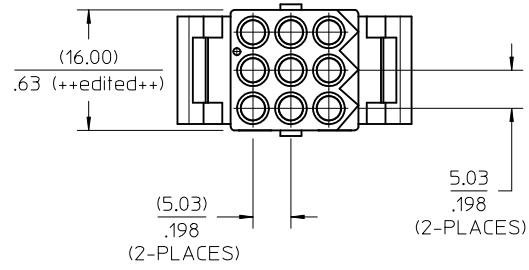
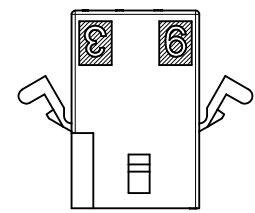
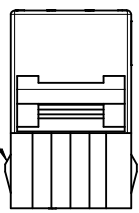
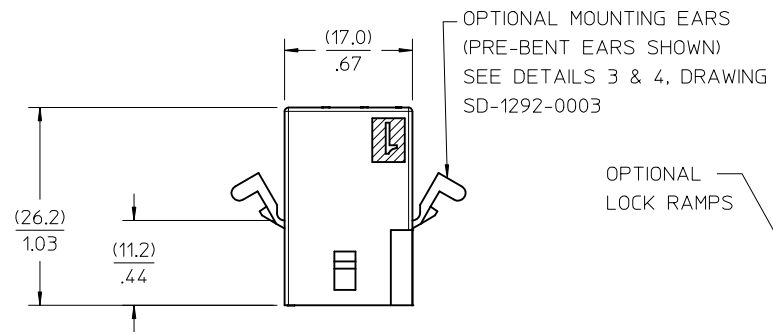
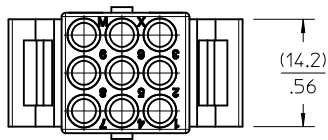


OPTIONAL PLUG

(PLUG SHOWN WITH PREBENT EARS)
FOR ALL OTHER DIMENSIONS AND SPECS.
SEE STANDARD PLUG DRAWING SD-1292-0001.



REDRAWN EC NO: UCP2010-2311 DRWNC:STEWART 2011/07/21 CHKD: APPR:FSMITH 2011/09/12	QUALITY SYMBOLS 	GENERAL TOLERANCES (UNLESS SPECIFIED)		DIMENSION STYLE MM/IN		SCALE 2:1	DESIGN UNITS METRIC	THIRD ANGLE PROJECTION																		
		<table border="1"> <thead> <tr> <th></th> <th>mm</th> <th>INCH</th> </tr> </thead> <tbody> <tr> <td>4 PLACES ± ---</td> <td>± .010</td> <td>± .010</td> </tr> <tr> <td>3 PLACES ± ---</td> <td>± .014</td> <td>± .014</td> </tr> <tr> <td>2 PLACES ± 0.25</td> <td>± ---</td> <td>± ---</td> </tr> <tr> <td>1 PLACE ± 0.35</td> <td>± ---</td> <td>± ---</td> </tr> </tbody> </table>			mm	INCH	4 PLACES ± ---	± .010	± .010	3 PLACES ± ---	± .014	± .014	2 PLACES ± 0.25	± ---	± ---	1 PLACE ± 0.35	± ---	± ---	DRAWN BY DATE CSTEWART 2011/07/21		CHECKED BY DATE		TITLE .093/(2.36) HOUSING, OPTIONAL PLUG, 9 CKT., 198/(5.03) CTRS.			
			mm	INCH																						
		4 PLACES ± ---	± .010	± .010																						
3 PLACES ± ---	± .014	± .014																								
2 PLACES ± 0.25	± ---	± ---																								
1 PLACE ± 0.35	± ---	± ---																								
ANGULAR ±1/2°		APPROVED BY DATE FSMITH 2011/09/12		molex MOLEX INCORPORATED																						
DRAFT WHERE APPLICABLE MUST REMAIN WITHIN DIMENSIONS		MATERIAL NO. SEE DWG. SD-1292-0003		DOCUMENT NO. SD-1292-0002		SHEET NO. 1 OF 1																				



RECEPTACLE
(SHOWN WITH PREBENT MOUNTING EARS & LOCK RAMP)

REDRAWN EC NO: UCP2010-2311 DRWNC:STEWART 2011/07/21 CHKD: APPR:FSMITH 2011/09/12	QUALITY SYMBOLS ▽=0 ▽=0 ▽=0	GENERAL TOLERANCES (UNLESS SPECIFIED)		DIMENSION STYLE MM/IN	SCALE 2:1	DESIGN UNITS METRIC	THIRD ANGLE PROJECTION		
		4 PLACES ± --- ± .010 3 PLACES ± --- ± .014 2 PLACES ± 0.25 ± --- 1 PLACE ± 0.35 ± ---	DRAWN BY C STEWART	DATE 2011/07/21	TITLE .093/(2.36) HOUSING RECEPTACLE, 9 CIRCUIT, .198/(5.03) CENTERS				
		ANGULAR ± 1/2°	CHECKED BY DATE	APPROVED BY FSMITH	DATE 2011/09/12	MOLEX INCORPORATED			
		DRAFT WHERE APPLICABLE MUST REMAIN WITHIN DIMENSIONS	MATERIAL NO. SEE CHART, SHEET 2	DOCUMENT NO. SD-1292-0003	SHEET NO. 1 OF 2	THIS DRAWING CONTAINS INFORMATION THAT IS PROPRIETARY TO MOLEX INCORPORATED AND SHOULD NOT BE USED WITHOUT WRITTEN PERMISSION			

PLUG	
PART NO.	ENG. NO.
03-09-2091	1292-P
03-09-2092	1292-P1
03-09-7091	1292-PBK
03-09-7092	1292-P1BK
NOT TOOLED	1292-P2
27-09-2092	1292-P1-A

RECEPTACLE	
PART NO.	ENG. NO.
03-09-1091	1292-R
03-09-1092	1292-R1
03-09-6091	1292-RBK
03-09-6092	1292-R1BK
03-09-1093	1292-R2
03-09-6093	1292-R2BK
03-09-1094	1292-R3
03-09-6094	1292-R3BK
27-09-1093	1292-R2-A

LEGEND: PLUG

1292-P * * * - *

P = PLUG

BLANK = OPT. PLUG WITH PREBENT EARS
 1 = STD. PLUG WITHOUT PREBENT EARS
 2 = STD. PLUG WITH PREBENT EARS & RIBS

COLOR: BLANK=NATURAL COLOR
 AM=AMBER BK=BLACK BU=BLUE
 BN=BROWN GY=GRAY GN=GREEN
 OR=ORANGE RD=RED YW=YELLOW

MATERIAL: BLANK = NYLON 6/6, U.L. 94V-2
 A = NYLON 6/6, U.L. 94V-0

LEGEND: RECEPTACLE

1292-R * * * - *

R = RECEPTACLE

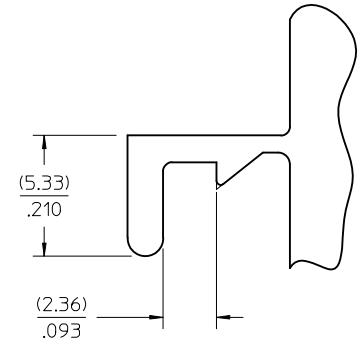
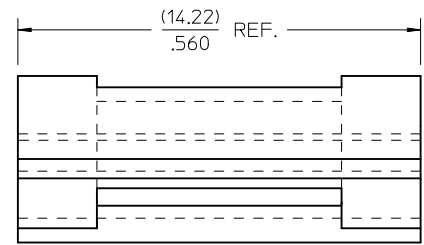
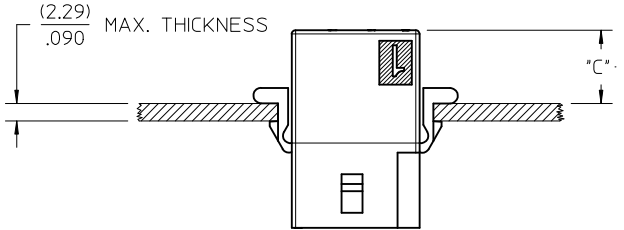
BLANK = WITH PREBENT EARS, WITH LOCK RAMP
 1 = WITH PREBENT EARS, WITHOUT LOCK RAMP
 2 = WITHOUT EARS, WITHOUT LOCK RAMP
 3 = WITHOUT EARS, WITH LOCK RAMP

COLOR: BLANK=NATURAL COLOR
 AM=AMBER BK=BLACK BU=BLUE
 BN=BROWN GY=GRAY GN=GREEN
 OR=ORANGE RD=RED YW=YELLOW

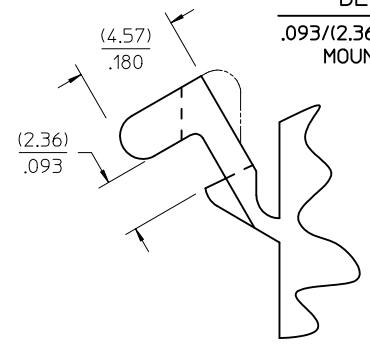
MATERIAL: BLANK = NYLON 6/6, U.L. 94V-2
 A = NYLON 6/6, U.L. 94V-0

HOUSING	DIM. "A"	DIM. "B"	DIM. "C" (STD. EAR)	DIM. "C" (PREBENT)
STD. PLUG	.930/(23.62)	.760/(19.30)	N/A	.39/(9.9)
OPT. PLUG	.937/(23.80)	.660/(16.76)	.13/(3.3)	N/A
RECEPTACLE	.828/(21.03)	.725/(18.42)	.37/(9.4)	.41/(10.4)

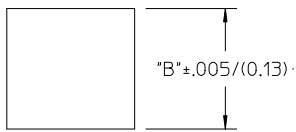
- NOTES:
1. THESE PARTS COMPLY WITH MOLEX PRODUCT SPEC. 02-09.
 2. HOUSINGS FOR USE WITH MOLEX .093/(2.36) PIN AND SOCKET TERMINALS.
 3. RIBS ARE PRESENT ONLY ON STANDARD PLUG WITH PREBENT MOUNTING EARS.
 FOR PLUG HOUSINGS REQUIRING MOUNTING EARS, ONLY PREBENT STYLE IS AVAILABLE.



DETAIL 3
 .093/(2.36) STANDARD MOUNTING EAR



DETAIL 4
 .093/(2.36) PREBENT MOUNTING EAR



"A" ±.005/(0.13)

"B" ±.005/(0.13)

DETAIL 5
 PANEL CUTOUT VIEW
 OPTIONAL PLUG WITH PREBENT EARS SHOWN

REDRAWN EC NO: UCP2010-2311 DRAWN: STEWART 2011/07/21 CHKD: APPR: FSMITH 2011/09/12 REV: V	QUALITY SYMBOLS ∇=0 ∇=0 ∇=0	GENERAL TOLERANCES (UNLESS SPECIFIED) <table border="1"> <tr> <th></th> <th>mm</th> <th>INCH</th> </tr> <tr> <td>4 PLACES ± ---</td> <td>±.010</td> <td></td> </tr> <tr> <td>3 PLACES ± ---</td> <td>±.014</td> <td></td> </tr> <tr> <td>2 PLACES ± 0.25</td> <td>± ---</td> <td></td> </tr> <tr> <td>1 PLACE ± 0.35</td> <td>± ---</td> <td></td> </tr> </table>		mm	INCH	4 PLACES ± ---	±.010		3 PLACES ± ---	±.014		2 PLACES ± 0.25	± ---		1 PLACE ± 0.35	± ---		DIMENSION STYLE MM/IN	SCALE 6:1	DESIGN UNITS METRIC	THIRD ANGLE PROJECTION
		mm	INCH																		
	4 PLACES ± ---	±.010																			
	3 PLACES ± ---	±.014																			
2 PLACES ± 0.25	± ---																				
1 PLACE ± 0.35	± ---																				
DRAWN BY C STEWART	DATE 2011/07/21	CHECKED BY DATE	TITLE .093/(2.36) HOUSING RECEPTACLE, 9 CIRCUIT, .198/(5.03) CENTERS	MOLEX INCORPORATED																	
APPROVED BY FSMITH	DATE 2011/09/12	MATERIAL NO. SEE CHART	DOCUMENT NO. SD-1292-0003	SHEET NO. 2 OF 2	THIS DRAWING CONTAINS INFORMATION THAT IS PROPRIETARY TO MOLEX INCORPORATED AND SHOULD NOT BE USED WITHOUT WRITTEN PERMISSION																
DRAFT WHERE APPLICABLE MUST REMAIN WITHIN DIMENSIONS		SIZE C																			



Компания «ЭлектроПласт» предлагает заключение долгосрочных отношений при поставках импортных электронных компонентов на взаимовыгодных условиях!

Наши преимущества:

- Оперативные поставки широкого спектра электронных компонентов отечественного и импортного производства напрямую от производителей и с крупнейших мировых складов;
- Поставка более 17-ти миллионов наименований электронных компонентов;
- Поставка сложных, дефицитных, либо снятых с производства позиций;
- Оперативные сроки поставки под заказ (от 5 рабочих дней);
- Экспресс доставка в любую точку России;
- Техническая поддержка проекта, помощь в подборе аналогов, поставка прототипов;
- Система менеджмента качества сертифицирована по Международному стандарту ISO 9001;
- Лицензия ФСБ на осуществление работ с использованием сведений, составляющих государственную тайну;
- Поставка специализированных компонентов (Xilinx, Altera, Analog Devices, Intersil, Interpoint, Microsemi, Aeroflex, Peregrine, Syfer, Eurofarad, Texas Instrument, Miteq, Cobham, E2V, MA-COM, Hittite, Mini-Circuits, General Dynamics и др.);

Помимо этого, одним из направлений компании «ЭлектроПласт» является направление «Источники питания». Мы предлагаем Вам помощь Конструкторского отдела:

- Подбор оптимального решения, техническое обоснование при выборе компонента;
- Подбор аналогов;
- Консультации по применению компонента;
- Поставка образцов и прототипов;
- Техническая поддержка проекта;
- Защита от снятия компонента с производства.



Как с нами связаться

Телефон: 8 (812) 309 58 32 (многоканальный)

Факс: 8 (812) 320-02-42

Электронная почта: org@eplast1.ru

Адрес: 198099, г. Санкт-Петербург, ул. Калинина, дом 2, корпус 4, литера А.