

PLEASE CHECK WWW.MOLEX.COM FOR LATEST PART INFORMATION

Part Number: [0002092170](#)
Status: **Active**
Overview: [standard_093](#)
Description: 2.36mm (.093") Diameter, Standard .093" Pin and Socket Crimp Terminal, Series 1190, Male, with Tin (Sn) Plated Brass Contact, 14-18 AWG, Large Insulation Crimp, Reel

Documents:

[Drawing \(PDF\)](#) [RoHS Certificate of Compliance \(PDF\)](#)

General

Product Family	Crimp Terminals
Series	42138
Crimp Quality Equipment	Yes
Overview	standard_093
Product Name	Standard .093"

Physical

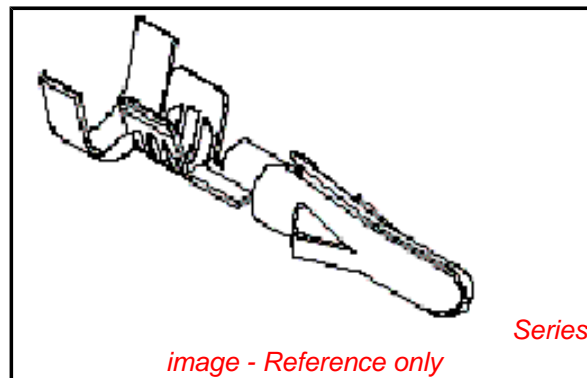
Gender	Male
Material - Metal	Brass
Material - Plating Mating	Tin
Material - Plating Termination	Tin
Packaging Type	Reel
Plating min: Mating (µin)	20
Plating min: Mating (µm)	0.50
Plating min: Termination (µin)	20
Plating min: Termination (µm)	0.50
Termination Interface: Style	Crimp or Compression
Wire Insulation Diameter	4.57mm (.180") max.
Wire Size AWG	14, 16, 18
Wire Size mm ²	N/A

Material Info

Old Part Number	42138-(P901)
-----------------	--------------

Reference - Drawing Numbers

Sales Drawing	SD-42138-*
---------------	------------



EU RoHS

ELV and RoHS Compliant

REACH SVHC

Contains SVHC: No

Halogen-Free

Status

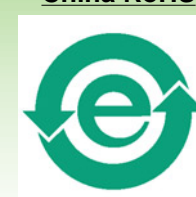
Halogen-Free

Need more information on product environmental compliance?

Email productcompliance@molex.com
 For a multiple part number RoHS Certificate of Compliance, [click here](#)

Please visit the [Contact Us](#) section for any non-product compliance questions.

China RoHS



Search Parts in this Series

[42138Series](#)

Use With

[2629](#) , [1619](#) Plug or Receptacle Housing, [1545](#) Plug or Receptacle Housing, [1396](#) Plug or Receptacle Housing, [1490](#) Plug or Receptacle Housing, [1261](#) Plug or Receptacle Housing, [1292](#) Plug or Receptacle Housing, [1360](#) Plug or Receptacle Housing, [1375](#) Plug or Receptacle Housing, [2163](#) Plug or Receptacle Housings

Application Tooling | FAQ

Tooling specifications and manuals are found by selecting the products below. Crimp Height Specifications are then contained in the Application Tooling Specification document.

Global

Description	Product #
Mini-Mac™ Applicator, Double	0638933000

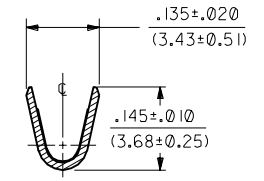
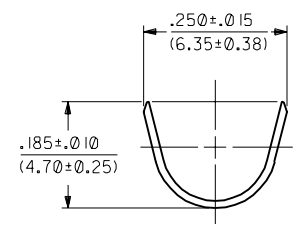
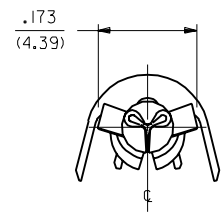
18 AWG Wires, One
Wire Max Insulation
4.32mm (.170") and
One Max Insulation
2.79mm (.110")
Mini-Mac™ 0638933100
Applicator, Insulation
O.D. 2.36mm -
4.57mm (.093"
- .180") and 18 AWG
SPT-3 Wires
Mini-Mac™ 0638933200
Applicator, Double
18 AWG, Two Wire
with Insulation
Diameter of 2.36mm
- 3.56mm (.093"
- .140")
Mini-Mac™ 0638933300
Applicator, Insulation
O.D. 2.36mm -
3.56mm (.093"
- .140") and 18 AWG
SPT-3 Wires
Terminator Die 0011402212

This document was generated on 05/17/2010

PLEASE CHECK WWW.MOLEX.COM FOR LATEST PART INFORMATION

PART NO.	ENG. NO.	
02-09-2170	42138-(P90)I	
02-09-2171	42138-(P90)IL	
02-09-2172	42138-(P90)I	OBSOLETE
02-09-2173	42138-(P90)IL	
	-	
	-	

42138



LEGEND

42138-*(****)*

CRIMP STYLE
BLANK="A"
I="B"

FORM
BLANK=CHAIN
L=LOOSE

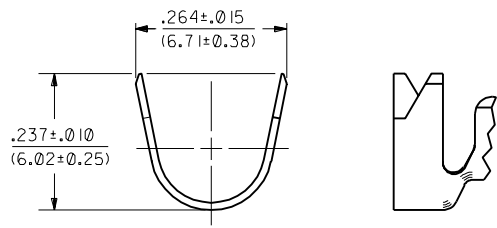
P=PREPLATE
BLANK=POSTPLATE

FINISH CODE

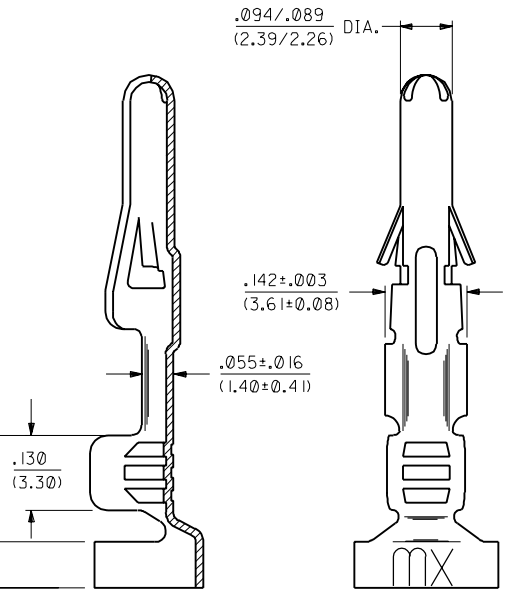
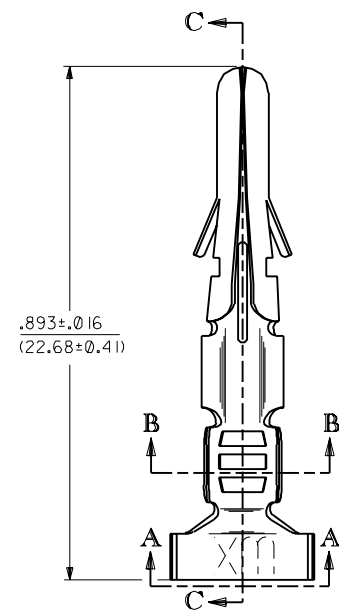
VIEW "A-A"
CRIMP STYLE "A"

SECTION "B-B"

FINISHES, PER ES-88:
901 HOT TIN DIP .000020/(0.0005) MIN.



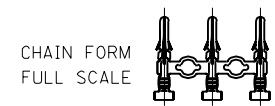
VIEW "A-A"
CRIMP STYLE "B"



SECTION "C-C"

- NOTES:
- TERMINAL FOR USE WITH .093/(2.36) SERIES HOUSINGS AND WILL ACCEPT 14 THRU 18 AWG WIRE.
 - INSULATION CRIMP STYLE "A" ACCEPTS A MAX. INSULATION DIA. OF .180/(4.57). INSULATION CRIMP STYLE "B" IS INTENDED FOR DOUBLE CRIMP OF TWO 18 AWG WIRES; ONE WITH A MAX. INSULATION DIA. OF .170/(4.32), THE OTHER A MAX. INSULATION DIA. OF .110/(2.79).

MATERIAL:
CARTRIDGE BRASS, ALLOY #C26000,
.013/(0.33) THICK, SPRING TEMPER.



H	OBSOLETE P/N UCR2002-0270 COMERCI 01/10/99
GI	REVISED EOR U3 0507 STAMBAUGH 99-2-9
G	REVISE PER EOR U3 0507 GIC 4/1/93 RW
F	REVISE PER EOR U3 0159 GIC 2/9/93 RW
E	REVISE PER EOR U2 0674 GIC 4/28/92 RW
D	REVISE & REDRAW PER EOR U2 0081 GIC 2/21/92 RW

DIMENSIONS SHOWN (METRIC) INCH UNLESS OTHERWISE SPECIFIED TOLERANCES ANGULAR ± 1/2°		MFG. SH. REV. LTR. REVISIONS																															
<table border="1"> <tr> <th>INCH</th> <th>METRIC</th> </tr> <tr> <td>3 PLACE ± .010</td> <td>---</td> </tr> <tr> <td>2 PLACE ± .014</td> <td>± 0.25</td> </tr> <tr> <td>1 PLACE ---</td> <td>± 0.35</td> </tr> </table>		INCH	METRIC	3 PLACE ± .010	---	2 PLACE ± .014	± 0.25	1 PLACE ---	± 0.35	<table border="1"> <tr> <td>▽ = 0</td> <td>▼ = 0</td> </tr> </table>		▽ = 0	▼ = 0																				
INCH	METRIC																																
3 PLACE ± .010	---																																
2 PLACE ± .014	± 0.25																																
1 PLACE ---	± 0.35																																
▽ = 0	▼ = 0																																
<table border="1"> <tr> <td>5 PLACE ± .010</td> <td>---</td> </tr> <tr> <td>2 PLACE ± .014</td> <td>± 0.25</td> </tr> <tr> <td>1 PLACE ---</td> <td>± 0.35</td> </tr> </table>		5 PLACE ± .010	---	2 PLACE ± .014	± 0.25	1 PLACE ---	± 0.35	<table border="1"> <tr> <td colspan="2">TITLE</td> </tr> <tr> <td colspan="2">CRIMP TERMINAL, MALE</td> </tr> <tr> <td colspan="2">.093/(2.36) DIA.</td> </tr> <tr> <td colspan="2">14-18 AWG W/LARGE INSUL.</td> </tr> <tr> <td>MOLEX INCORPORATED</td> <td>SHEET NO. DATE</td> </tr> <tr> <td>L15LEJLL 60532</td> <td>1 of 1 2/21/92</td> </tr> <tr> <td>PART NO.</td> <td>DRWG. NO.</td> </tr> <tr> <td>SEE CHART</td> <td>SD-42138-*</td> </tr> <tr> <td>FILE NAME</td> <td>DIV.</td> </tr> <tr> <td>S42138X1</td> <td>CP</td> </tr> <tr> <td>DRW. BY GIC</td> <td>CHK'D BY RW</td> </tr> <tr> <td>APP'D BY RS</td> <td>SCALE 6 : 1</td> </tr> </table>		TITLE		CRIMP TERMINAL, MALE		.093/(2.36) DIA.		14-18 AWG W/LARGE INSUL.		MOLEX INCORPORATED	SHEET NO. DATE	L15LEJLL 60532	1 of 1 2/21/92	PART NO.	DRWG. NO.	SEE CHART	SD-42138-*	FILE NAME	DIV.	S42138X1	CP	DRW. BY GIC	CHK'D BY RW	APP'D BY RS	SCALE 6 : 1
5 PLACE ± .010	---																																
2 PLACE ± .014	± 0.25																																
1 PLACE ---	± 0.35																																
TITLE																																	
CRIMP TERMINAL, MALE																																	
.093/(2.36) DIA.																																	
14-18 AWG W/LARGE INSUL.																																	
MOLEX INCORPORATED	SHEET NO. DATE																																
L15LEJLL 60532	1 of 1 2/21/92																																
PART NO.	DRWG. NO.																																
SEE CHART	SD-42138-*																																
FILE NAME	DIV.																																
S42138X1	CP																																
DRW. BY GIC	CHK'D BY RW																																
APP'D BY RS	SCALE 6 : 1																																
DRAFT WHERE APPLICABLE MUST REMAIN WITHIN DIMENSIONS		THIS DRAWING CONTAINS INFORMATION THAT IS PROPRIETARY TO MOLEX INC. AND SHOULD NOT BE USED WITHOUT WRITTEN PERMISSION.																															

42138



Компания «ЭлектроПласт» предлагает заключение долгосрочных отношений при поставках импортных электронных компонентов на взаимовыгодных условиях!

Наши преимущества:

- Оперативные поставки широкого спектра электронных компонентов отечественного и импортного производства напрямую от производителей и с крупнейших мировых складов;
- Поставка более 17-ти миллионов наименований электронных компонентов;
- Поставка сложных, дефицитных, либо снятых с производства позиций;
- Оперативные сроки поставки под заказ (от 5 рабочих дней);
- Экспресс доставка в любую точку России;
- Техническая поддержка проекта, помощь в подборе аналогов, поставка прототипов;
- Система менеджмента качества сертифицирована по Международному стандарту ISO 9001;
- Лицензия ФСБ на осуществление работ с использованием сведений, составляющих государственную тайну;
- Поставка специализированных компонентов (Xilinx, Altera, Analog Devices, Intersil, Interpoint, Microsemi, Aeroflex, Peregrine, Syfer, Eurofarad, Texas Instrument, Miteq, Cobham, E2V, MA-COM, Hittite, Mini-Circuits, General Dynamics и др.);

Помимо этого, одним из направлений компании «ЭлектроПласт» является направление «Источники питания». Мы предлагаем Вам помощь Конструкторского отдела:

- Подбор оптимального решения, техническое обоснование при выборе компонента;
- Подбор аналогов;
- Консультации по применению компонента;
- Поставка образцов и прототипов;
- Техническая поддержка проекта;
- Защита от снятия компонента с производства.



Как с нами связаться

Телефон: 8 (812) 309 58 32 (многоканальный)

Факс: 8 (812) 320-02-42

Электронная почта: org@eplast1.ru

Адрес: 198099, г. Санкт-Петербург, ул. Калинина, дом 2, корпус 4, литера А.