

Type 171 Radial Leaded Metallized Polypropylene

Radial Box Metallized Polypropylene Capacitors



Type 171 radial leaded, box, metallized polypropylene capacitors are available in five pitch sizes and have a flame retardant case and epoxy encapsulant that meets UL94V-0. The Type 171 is an excellent choice for applications requiring low dielectric losses, high insulation resistance in an AC or DC environment. The polypropylene dielectric gives this capacitor excellent pulse rise time (dv/dt) performance.

Highlights

- High dv/dt
- Low leakage
- Radial leaded (7.5, 10, 15, 22.5, 27.5 mm pitch)
- Flame retardant case and encapsulant meets UL94V-0
- Non-inductively wound

Specifications

Capacitance Range: 0.0022 to 3.3 μF

Voltage Range: 160 to 630 Vdc (90 to 250 Vac, 60 Hz)

Capacitance Tolerance: $\pm 5\%$, $\pm 10\%$, $\pm 20\%$

Operating Temperature Range: $-55\text{ }^\circ\text{C}$ to $+105\text{ }^\circ\text{C}$ (derate linearly to 50% rated voltage from $85\text{ }^\circ\text{C}$ to $105\text{ }^\circ\text{C}$)

Dielectric Withstand Voltage: 1.6 x rated voltage for 2 s @ $+25\text{ }^\circ\text{C} \pm 5\text{ }^\circ\text{C}$

Dissipation Factor (DF): $\text{tg}\delta \times 10^{-4}$ at $+25\text{ }^\circ\text{C} \pm 5\text{ }^\circ\text{C}$



Complies with the EU Directive 2002/95/EC requirement restricting the use of Lead (Pb), Mercury (Hg), Cadmium (Cd), Hexavalent chromium (Cr(VI)), PolyBrominated Biphenyls (PBB) and PolyBrominated Diphenyl Ethers (PBDE).

Insulation Resistance: 100,000 $\text{M}\Omega \times \mu\text{F}$, 200,000 $\text{M}\Omega$ Min.

Self Inductance: 2 mm lead length - total self inductance

| Pitch (mm) | 7.5 | 10 | 15 | 22.5 | 27.5 |
|------------------|-----|----|----|------|------|
| L (nH) \approx | 8 | 9 | 10 | 18 | 18 |

Life Test: 2000 hrs @ $85\text{ }^\circ\text{C}$ 1.25 x V_n

Damp Heat Test: 95% RH @ $+40\text{ }^\circ\text{C}$ for 56 days

Soldering: $260\text{ }^\circ\text{C} \pm 5\text{ }^\circ\text{C}$ for 10 s ± 1 s

Long Term Storage Stability: $\Delta\text{C}/\text{C} \leq \pm 0.5\%$ after 2 years

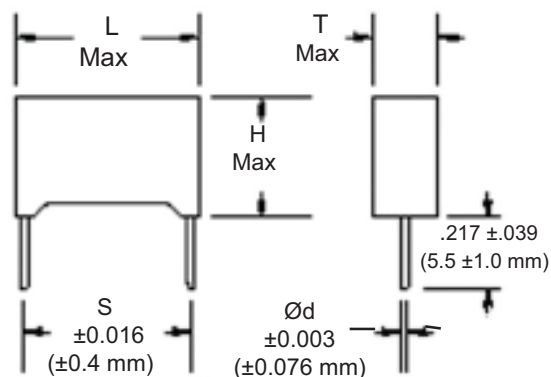
Maximum Pulse Rise Time dv/dt (V/ μ):

| V_n | Lead Spacing (Pitch) | | | | |
|-------|----------------------|----|----|------|------|
| | 7.5 | 10 | 15 | 22.5 | 27.5 |
| 160 | 5.5 | 4 | 2 | 1.5 | 1 |
| 250 | 15 | 11 | 7 | 4 | 3 |
| 400 | 35 | 20 | 10 | 5.5 | 5 |
| 630 | 55 | 30 | 15 | 8 | 7 |

If the working voltage (V) is less than the nominal voltage (V_n), the capacitor can work at higher dv/dt. In this case, the maximum value allowed is obtained by multiplying the above value (See table dv/dt) with the ratio V_n/V

Type 171 Radial Leaded Metallized Polypropylene

Outline Drawing



Ratings

RoHS Compliant

| Cap (µF) | Catalog Part Number | Inches (mm) | | | | | ESR (mΩ) 20 kHz to 100 kHz | IRMS (Amps) | | | |
|-------------------------------|---------------------|--------------|--------------|--------------|--------------|-------------|---|-------------|-------|-------|-----|
| | | L Max | T Max | H Max | S (Pitch) | Ød | | 25 °C | 45 °C | 85 °C | |
| 160 Vdc / 90 Vac 60 Hz | | | | | | | | | | | |
| 0.033 | 171333*160B-F | 0.413 (10.5) | 0.157 (4.0) | 0.374 (9.5) | 0.295 (7.5) | 0.024 (0.6) | Not applicable. These capacitance values are not customarily used in switched-mode power supplies | | | | |
| 0.047 | 171473*160B-F | 0.413 (10.5) | 0.157 (4.0) | 0.374 (9.5) | 0.295 (7.5) | 0.024 (0.6) | | | | | |
| 0.047 | 171473*160C-F | 0.512 (13.0) | 0.157 (4.0) | 0.374 (9.5) | 0.394 (10) | 0.024 (0.6) | | | | | |
| 0.068 | 171683*160C7-F | 0.413 (10.5) | 0.197 (5.0) | 0.433 (11.0) | 0.295 (7.5) | 0.024 (0.6) | | | | | |
| 0.068 | 171683*160D-F | 0.512 (13.0) | 0.197 (5.0) | 0.433 (11.0) | 0.394 (10.0) | 0.024 (0.6) | | | | | |
| 0.1 | 171104*160C7-F | 0.413 (10.5) | 0.197 (5.0) | 0.433 (11.0) | 0.295 (7.5) | 0.024 (0.6) | | | | | |
| 0.1 | 171104*160E-F | 0.512 (13.0) | 0.236 (6.0) | 0.472 (12.0) | 0.394 (10.0) | 0.024 (0.6) | | | | | |
| 0.15 | 171154*160D7-F | 0.413 (10.5) | 0.236 (6.0) | 0.472 (12.0) | 0.295 (7.5) | 0.024 (0.6) | | | | | |
| 0.15 | 171154*160E-F | 0.512 (13.0) | 0.236 (6.0) | 0.472 (12.0) | 0.394 (10) | 0.024 (0.6) | | | | | |
| 0.22 | 171224*160F-F | 0.709 (18.0) | 0.197 (5.0) | 0.433 (11.0) | 0.591 (15.0) | 0.031 (0.8) | | | | | |
| 0.33 | 171334*160G-F | 0.709 (18.0) | 0.236 (6.0) | 0.472 (12.0) | 0.591 (15.0) | 0.031 (0.8) | | | | | |
| 0.47 | 171474*160H-F | 0.709 (18.0) | 0.295 (7.5) | 0.531 (13.5) | 0.591 (15.0) | 0.031 (0.8) | | 37 | 3.7 | 3.1 | 1.4 |
| 0.68 | 171684*160L -F | 1.043 (26.5) | 0.236 (6.0) | 0.591 (15.0) | 0.886 (22.5) | 0.031 (0.8) | | 33 | 4.1 | 3.5 | 1.6 |
| 1.0 | 171105*160N-F | 1.043 (26.5) | 0.335 (8.5) | 0.669 (17.0) | 0.886 (22.5) | 0.031 (0.8) | | 26 | 5.5 | 4.7 | 2.6 |
| 1.5 | 171155*160O-F | 1.043 (26.5) | 0.394 (10.0) | 0.748 (19.0) | 0.886 (22.5) | 0.031 (0.8) | | 20 | 6.1 | 5.1 | 3.1 |
| 2.2 | 171225*160P-F | 1.26 (32.0) | 0.433 (11.0) | 0.787 (20.0) | 1.083 (27.5) | 0.031 (0.8) | 18 | 6.3 | 5.7 | 3.3 | |
| 3.3 | 171335*160Q-F | 1.26 (32.0) | 0.512 (13.0) | 0.886 (22.5) | 1.083 (27.5) | 0.031 (0.8) | 16 | 7.4 | 6.4 | 3.6 | |
| 250 Vdc / 90 Vac 60 Hz | | | | | | | | | | | |
| 0.015 | 171153*250B-F | 0.413 (10.5) | 0.157 (4.0) | 0.374 (9.5) | 0.295 (7.5) | 0.024 (0.6) | Not applicable. These capacitance values are not customarily used in switched-mode power supplies | | | | |
| 0.022 | 171223*250B-F | 0.413 (10.5) | 0.157 (4.0) | 0.374 (9.5) | 0.295 (7.5) | 0.024 (0.6) | | | | | |
| 0.022 | 171223*250C-F | 0.512 (13.0) | 0.157 (4.0) | 0.374 (9.5) | 0.394 (10) | 0.024 (0.6) | | | | | |
| 0.033 | 171333*250C-F | 0.512 (13.0) | 0.157 (4.0) | 0.374 (9.5) | 0.394 (10) | 0.024 (0.6) | | | | | |
| 0.047 | 171473*250D-F | 0.512 (13.0) | 0.197 (5.0) | 0.433 (11.0) | 0.394 (10) | 0.024 (0.6) | | | | | |
| 0.068 | 171683*250E-F | 0.512 (13.0) | 0.236 (6.0) | 0.472 (12.0) | 0.394 (10) | 0.024 (0.6) | | | | | |

* indicates capacitance tolerance, J = ±5%, K = ±10%, M = ±20%

Type 171 Radial Leaded Metallized Polypropylene

RoHS Compliant

Ratings

| Cap (μ F) | Catalog Part Number | Inches (mm) | | | | | ESR (m Ω) 20 kHz to 100 kHz | IRMS (Amps) | | | | | | |
|--------------------------------|------------------------|--------------|--------------|--------------|--------------|-----------------|---|-------------|-------|-------|---|-----|-----|-----|
| | | L Max | T Max | H Max | S (Pitch) | \varnothing d | | 25 °C | 45 °C | 85 °C | | | | |
| 250 Vdc / 90 Vac 60 Hz | | | | | | | | | | | | | | |
| 0.10 | 171104*250F-F | 0.709 (18.0) | 0.197 (5.0) | 0.433 (11.0) | 0.591 (15.0) | 0.031 (0.8) | Not applicable | | | | | | | |
| 0.15 | 171154*250G-F | 0.709 (18.0) | 0.236 (6.0) | 0.472 (12.0) | 0.591 (15.0) | 0.031 (0.8) | | | | | | | | |
| 0.22 | 171224*250H-F | 0.709 (18.0) | 0.295 (7.5) | 0.531 (13.5) | 0.591 (15.0) | 0.031 (0.8) | | | | | | | | |
| 0.33 | 171334*250L-F | 1.043 (26.5) | 0.236 (6.0) | 0.591 (15.0) | 0.886 (22.5) | 0.031 (0.8) | | | | | | | | |
| 0.47 | 171474*250M-F | 1.043 (26.5) | 0.276 (7.0) | 0.650 (16.5) | 0.886 (22.5) | 0.031 (0.8) | | | | | | | | |
| 0.68 | 171684*250Q-F | 1.26 (32.0) | 0.512 (13.0) | 0.886 (22.5) | 1.083 (27.5) | 0.031 (0.8) | | | | | | | | |
| 1.0 | 171105*250P-F | 1.26 (32.0) | 0.433 (11.0) | 0.787 (20.0) | 1.083 (27.5) | 0.031 (0.8) | 35 | 3.8 | 3.6 | 1.7 | | | | |
| 1.5 | 171155*250Q-F | 1.26 (32.0) | 0.512 (13.0) | 0.886 (22.5) | 1.083 (27.5) | 0.031 (0.8) | 32 | 4 | 3.8 | 1.9 | | | | |
| 400 Vdc / 220 Vac 60 Hz | | | | | | | | | | | | | | |
| 0.0068 | 171682*400B-F | 0.413 (10.5) | 0.157 (4.0) | 0.374 (9.5) | 0.295 (7.5) | 0.024 (0.6) | Not applicable. These capacitance values are not customarily used in switched-mode power supplies | | | | | | | |
| 0.010 | 171103*400B-F | 0.413 (10.5) | 0.157 (4.0) | 0.374 (9.5) | 0.295 (7.5) | 0.024 (0.6) | | | | | | | | |
| 0.010 | 171103*400C-F | 0.512 (13.0) | 0.157 (4.0) | 0.374 (9.5) | 0.394 (10.0) | 0.024 (0.6) | | | | | | | | |
| 0.015 | 171153*400D-F | 0.512 (13.0) | 0.197 (5.0) | 0.433 (11.0) | 0.394 (10.0) | 0.024 (0.6) | | | | | | | | |
| 0.022 | 171223*400D-F | 0.512 (13.0) | 0.197 (5.0) | 0.433 (11.0) | 0.394 (10.0) | 0.024 (0.6) | | | | | | | | |
| 0.033 | 171333*400E-F | 0.512 (13.0) | 0.236 (6.0) | 0.472 (12.0) | 0.394 (10.0) | 0.024 (0.6) | | | | | | | | |
| 0.047 | 171473*400F-F | 0.709 (18.0) | 0.197 (5.0) | 0.433 (11.0) | 0.591 (15.0) | 0.031 (0.8) | | | | | | | | |
| 0.068 | 171683*400G-F | 0.709 (18.0) | 0.236 (6.0) | 0.472 (12.0) | 0.591 (15.0) | 0.031 (0.8) | | | | | | | | |
| 0.10 | 171104*400H-F | 0.709 (18.0) | 0.295 (7.5) | 0.531 (13.5) | 0.591 (15.0) | 0.031 (0.8) | | | | | | | | |
| 0.15 | 171154*400I-F | 0.709 (18.0) | 0.335 (8.5) | 0.571 (14.5) | 0.591 (15.0) | 0.031 (0.8) | | | | | | | | |
| 0.22 | 171224*400N-F | 1.043 (26.5) | 0.335 (8.5) | 0.669 (17.0) | 0.886 (22.5) | 0.031 (0.8) | | | | | | | | |
| 0.33 | 171334*400O-F | 1.043 (26.5) | 0.394 (10.0) | 0.748 (19.0) | 0.886 (22.5) | 0.031 (0.8) | | | | | | | | |
| 0.47 | 171474*400P-F | 1.26 (32.0) | 0.433 (11.0) | 0.787 (20.0) | 1.083 (27.5) | 0.031 (0.8) | | | | | 32 | 5.7 | 5 | 2.2 |
| 0.68 | 171684*400Q-F | 1.26 (32.0) | 0.512 (13.0) | 0.886 (22.5) | 1.083 (27.5) | 0.031 (0.8) | | | | | 30 | 5.7 | 5.5 | 2.4 |
| 630 Vdc / 250 Vac 60 Hz | | | | | | | | | | | | | | |
| 0.0022 | 171222*630B-F | 0.413 (10.5) | 0.157 (4.0) | 0.374 (9.5) | 0.295 (7.5) | 0.024 (0.6) | | | | | Not applicable. These capacitance values are not customarily used in switched-mode power supplies | | | |
| 0.0022 | 171222*630C-F | 0.512 (13.0) | 0.157 (4.0) | 0.374 (9.5) | 0.394 (10.0) | 0.024 (0.6) | | | | | | | | |
| 0.0033 | 171332*630B-F | 0.413 (10.5) | 0.157 (4.0) | 0.374 (9.5) | 0.295 (7.5) | 0.024 (0.6) | | | | | | | | |
| 0.0033 | 171332*630C-F | 0.512 (13.0) | 0.157 (4.0) | 0.374 (9.5) | 0.394 (10.0) | 0.024 (0.6) | | | | | | | | |
| 0.0047 | 171472*630B-F | 0.413 (10.5) | 0.157 (4.0) | 0.374 (9.5) | 0.295 (7.5) | 0.024 (0.6) | | | | | | | | |
| 0.0047 | 171472*630C-F | 0.512 (13.0) | 0.157 (4.0) | 0.374 (9.5) | 0.394 (10.0) | 0.024 (0.6) | | | | | | | | |
| 0.0068 | 171682*630D-F | 0.512 (13.0) | 0.197 (5.0) | 0.433 (11.0) | 0.394 (10.0) | 0.024 (0.6) | | | | | | | | |
| 0.010 | 171103*630D-F | 0.512 (13.0) | 0.197 (5.0) | 0.433 (11.0) | 0.394 (10.0) | 0.024 (0.6) | | | | | | | | |
| 0.015 | 171153*630E-F | 0.512 (13.0) | 0.236 (6.0) | 0.472 (12.0) | 0.394 (10.0) | 0.024 (0.6) | | | | | | | | |
| 0.022 | 171223*630F-F | 0.709 (18.0) | 0.197 (5.0) | 0.433 (11.0) | 0.591 (15.0) | 0.031 (0.8) | | | | | | | | |
| 0.033 | 171333*630G-F | 0.709 (18.0) | 0.236 (6.0) | 0.472 (12.0) | 0.591 (15.0) | 0.031 (0.8) | | | | | | | | |
| 0.047 | 171473*630H-F | 0.709 (18.0) | 0.295 (7.5) | 0.531 (13.5) | 0.591 (15.0) | 0.031 (0.8) | | | | | | | | |
| 0.068 | 171683*630I-F | 0.709 (18.0) | 0.335 (8.5) | 0.571 (14.5) | 0.591 (15.0) | 0.031 (0.8) | | | | | | | | |
| 0.10 | 171104*630N-F | 1.043 (26.5) | 0.335 (8.5) | 0.669 (17.0) | 0.886 (22.5) | 0.031 (0.8) | | | | | | | | |
| 0.15 | 171154*630O-F | 1.043 (26.5) | 0.394 (10.0) | 0.748 (19.0) | 0.886 (22.5) | 0.031 (0.8) | | | | | | | | |
| 0.22 | 171224*630P-F | 1.26 (32.0) | 0.433 (11.0) | 0.787 (20.0) | 1.083 (27.5) | 0.031 (0.8) | | | | | | | | |
| 0.33 | 171334*630Q-F | 1.26 (32.0) | 0.512 (13.0) | 0.886 (22.5) | 1.083 (27.5) | 0.031 (0.8) | | | | | | | | |

* indicates capacitance tolerance, J = \pm 5%, K = \pm 10%, M = \pm 20%



Компания «ЭлектроПласт» предлагает заключение долгосрочных отношений при поставках импортных электронных компонентов на взаимовыгодных условиях!

Наши преимущества:

- Оперативные поставки широкого спектра электронных компонентов отечественного и импортного производства напрямую от производителей и с крупнейших мировых складов;
- Поставка более 17-ти миллионов наименований электронных компонентов;
- Поставка сложных, дефицитных, либо снятых с производства позиций;
- Оперативные сроки поставки под заказ (от 5 рабочих дней);
- Экспресс доставка в любую точку России;
- Техническая поддержка проекта, помощь в подборе аналогов, поставка прототипов;
- Система менеджмента качества сертифицирована по Международному стандарту ISO 9001;
- Лицензия ФСБ на осуществление работ с использованием сведений, составляющих государственную тайну;
- Поставка специализированных компонентов (Xilinx, Altera, Analog Devices, Intersil, Interpoint, Microsemi, Aeroflex, Peregrine, Syfer, Eurofarad, Texas Instrument, Miteq, Cobham, E2V, MA-COM, Hittite, Mini-Circuits, General Dynamics и др.);

Помимо этого, одним из направлений компании «ЭлектроПласт» является направление «Источники питания». Мы предлагаем Вам помощь Конструкторского отдела:

- Подбор оптимального решения, техническое обоснование при выборе компонента;
- Подбор аналогов;
- Консультации по применению компонента;
- Поставка образцов и прототипов;
- Техническая поддержка проекта;
- Защита от снятия компонента с производства.



Как с нами связаться

Телефон: 8 (812) 309 58 32 (многоканальный)

Факс: 8 (812) 320-02-42

Электронная почта: org@eplast1.ru

Адрес: 198099, г. Санкт-Петербург, ул. Калинина, дом 2, корпус 4, литера А.