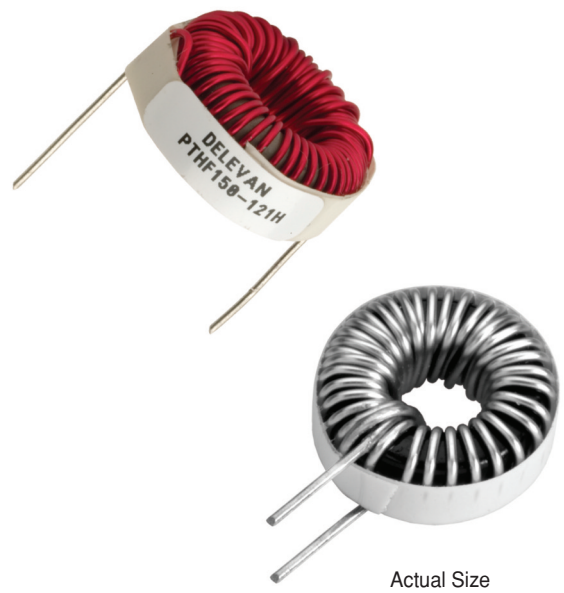


SERIES

PTHFxxxxR
PTKMxxxxR
PTHF
PTKM



Toroidal Power Chokes



Actual Size

Horizontal or Vertical Mounting

Excellent electromagnetic shielding

Applications Use Series PTHF for high DC saturation applications; use Series PTKM for low AC core loss applications.

DC Resistance at 25°C

Rated Idc based upon 40°C maximum rise from 90°C ambient with 0 Arms

Self Leads Solder coated along entire length

Mounting Toroids can be provided in a vertical or horizontal mount style. Suffix Part Number with "H" for horizontal mount.

dl Incremental Current is the value indicated in the table that will cause an approximate percentage drop in inductance

Marking DELEVAN and part number.

Example: PTHF50R-121
 DELEVAN PTHF50R-121

Physical Parameters on Next Page

*Complete part # must include series # PLUS the dash #
 For surface finish information, refer to www.delevanfinishes.com

| PART NUMBER* | RATED IDC (AMPS) | INDUCTANCE (μH) @ 1 kHz ±10% | ΔL 10% dl ADC | ΔL 20% dl ADC | DC RESISTANCE MAXIMUM (OHMS) | SRF MINIMUM (MHz) |
|---|------------------|------------------------------|---------------|---------------|------------------------------|-------------------|
| SERIES PTHF HIGH SATURATION CORE | | | | | | |
| PTHF10-50 | 10 | 7.36 | 6.0 | 8.7 | 0.010 | 35.0 |
| PTHF25-50 | 25 | 5.20 | 3.6 | 5.3 | 0.020 | 10.0 |
| PTHF50-50 | 50 | 3.93 | 2.0 | 3.1 | 0.035 | 7.0 |
| PTHF75-50 | 75 | 3.47 | 1.6 | 2.5 | 0.045 | 5.0 |
| PTHF100-50 | 100 | 3.14 | 1.5 | 2.2 | 0.055 | 4.0 |
| PTHF150-50 | 150 | 2.33 | 1.2 | 1.8 | 0.100 | 2.0 |
| PTHF200-50 | 200 | 1.97 | 1.0 | 1.6 | 0.140 | 1.7 |
| PTHF250-50 | 250 | 1.84 | 0.9 | 1.4 | 0.160 | 1.5 |
| PTHF330-50 | 330 | 1.69 | 0.8 | 1.2 | 0.190 | 1.0 |
| PTHF10-121 | 10 | 8.27 | 9.0 | 14.0 | 0.010 | 20.0 |
| PTHF25-121 | 25 | 6.34 | 7.0 | 10.5 | 0.017 | 8.0 |
| PTHF50-121 | 50 | 4.77 | 3.9 | 6.0 | 0.030 | 4.0 |
| PTHF75-121 | 75 | 3.90 | 3.9 | 5.8 | 0.045 | 3.0 |
| PTHF100-121 | 100 | 3.24 | 3.4 | 4.7 | 0.065 | 2.0 |
| PTHF150-121 | 150 | 2.68 | 3.3 | 4.8 | 0.095 | 1.5 |
| PTHF250-121 | 250 | 2.07 | 2.2 | 3.2 | 0.160 | 1.0 |
| PTHF10-59 | 10 | 14.50 | 15.0 | 20.0 | 0.008 | 20.0 |
| PTHF25-59 | 25 | 9.80 | 11.0 | 16.0 | 0.011 | 8.0 |
| PTHF50-59 | 50 | 6.90 | 8.3 | 12.0 | 0.022 | 4.0 |
| PTHF75-59 | 75 | 5.90 | 6.7 | 9.1 | 0.030 | 3.0 |
| PTHF100-59 | 100 | 4.90 | 6.5 | 8.2 | 0.044 | 2.0 |
| PTHF150-59 | 150 | 4.50 | 4.2 | 6.0 | 0.052 | 1.0 |
| PTHF250-59 | 250 | 3.50 | 4.0 | 5.6 | 0.088 | 1.0 |
| PTHF500-59 | 500 | 2.60 | 2.7 | 3.8 | 0.160 | 0.8 |
| PTHF750-59 | 750 | 2.10 | 1.8 | 2.7 | 0.240 | 0.6 |
| PTHF25-894 | 25 | 12.80 | 13.5 | 20.0 | 0.008 | 8.0 |
| PTHF50-894 | 50 | 9.90 | 10.8 | 15.2 | 0.016 | 4.0 |
| PTHF75-894 | 75 | 8.00 | 8.0 | 12.0 | 0.023 | 3.0 |
| PTHF100-894 | 100 | 8.00 | 7.1 | 10.6 | 0.023 | 2.0 |
| PTHF150-894 | 150 | 6.50 | 6.0 | 9.0 | 0.035 | 1.0 |
| PTHF250-894 | 250 | 5.00 | 4.6 | 6.8 | 0.060 | 1.0 |
| PTHF500-894 | 500 | 3.40 | 3.1 | 4.6 | 0.131 | 0.8 |
| PTHF750-894 | 750 | 3.00 | 2.7 | 4.0 | 0.160 | 0.6 |
| PTHF1000-894 | 1000 | 2.40 | 2.3 | 3.5 | 0.235 | 0.4 |
| SERIES PTKM FERROUS ALLOY CORE | | | | | | |
| PTKM10-50 | 10 | 7.36 | 1.70 | 3.30 | 0.010 | 35.0 |
| PTKM25-50 | 25 | 5.20 | 1.00 | 1.90 | 0.020 | 10.0 |
| PTKM50-50 | 50 | 3.93 | 0.70 | 1.30 | 0.035 | 7.0 |
| PTKM75-50 | 75 | 3.47 | 0.60 | 1.10 | 0.045 | 5.0 |
| PTKM100-50 | 100 | 3.14 | 0.50 | 0.96 | 0.055 | 4.0 |
| PTKM150-50 | 150 | 2.33 | 0.40 | 0.78 | 0.100 | 2.0 |
| PTKM200-50 | 200 | 1.97 | 0.35 | 0.65 | 0.140 | 1.7 |
| PTKM250-50 | 250 | 1.84 | 0.31 | 0.59 | 0.160 | 1.5 |
| PTKM330-50 | 330 | 1.69 | 0.27 | 0.50 | 0.190 | 1.0 |
| PTKM10-121 | 10 | 8.27 | 5.30 | 9.10 | 0.010 | 20.0 |
| PTKM25-121 | 25 | 6.34 | 3.30 | 5.70 | 0.017 | 8.0 |
| PTKM50-121 | 50 | 4.77 | 2.30 | 4.00 | 0.030 | 4.0 |
| PTKM75-121 | 75 | 3.90 | 1.80 | 3.10 | 0.045 | 3.0 |
| PTKM100-121 | 100 | 3.24 | 1.60 | 2.80 | 0.065 | 2.0 |
| PTKM150-121 | 150 | 2.68 | 1.30 | 2.20 | 0.095 | 1.5 |
| PTKM250-121 | 250 | 2.07 | 0.90 | 1.70 | 0.160 | 1.0 |
| PTKM10-59 | 10 | 14.50 | 7.60 | 13.00 | 0.008 | 20.0 |
| PTKM25-59 | 25 | 9.80 | 4.70 | 8.30 | 0.011 | 8.0 |
| PTKM50-59 | 50 | 6.90 | 3.30 | 5.70 | 0.022 | 4.0 |
| PTKM75-59 | 75 | 5.90 | 3.00 | 4.90 | 0.030 | 3.0 |
| PTKM100-59 | 100 | 4.90 | 2.40 | 4.20 | 0.044 | 2.0 |
| PTKM150-59 | 150 | 4.50 | 1.90 | 3.40 | 0.052 | 1.0 |
| PTKM250-59 | 250 | 3.50 | 1.50 | 2.70 | 0.088 | 1.0 |
| PTKM500-59 | 500 | 2.60 | 1.10 | 1.80 | 0.160 | 0.8 |
| PTKM750-59 | 750 | 2.10 | 0.90 | 1.60 | 0.240 | 0.6 |
| PTKM25-894 | 25 | 12.80 | 6.60 | 11.00 | 0.008 | 8.0 |
| PTKM50-894 | 50 | 9.90 | 4.20 | 7.40 | 0.016 | 4.0 |
| PTKM75-894 | 75 | 8.00 | 3.70 | 6.40 | 0.023 | 3.0 |
| PTKM100-894 | 100 | 8.00 | 3.50 | 6.00 | 0.023 | 2.0 |
| PTKM150-894 | 150 | 6.50 | 2.30 | 4.30 | 0.035 | 1.0 |
| PTKM250-894 | 250 | 5.00 | 1.90 | 3.20 | 0.060 | 1.0 |
| PTKM500-894 | 500 | 3.40 | 1.40 | 2.50 | 0.131 | 0.8 |
| PTKM750-894 | 750 | 3.00 | 1.20 | 2.10 | 0.160 | 0.6 |
| PTKM1000-894 | 1000 | 2.40 | 1.00 | 1.80 | 0.235 | 0.4 |

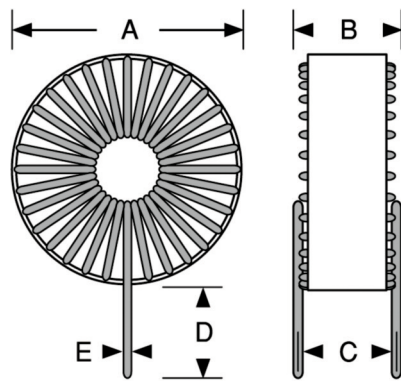
SERIES

PTHFxxxxR & PTKMxxxxR
PTHF & PTKM

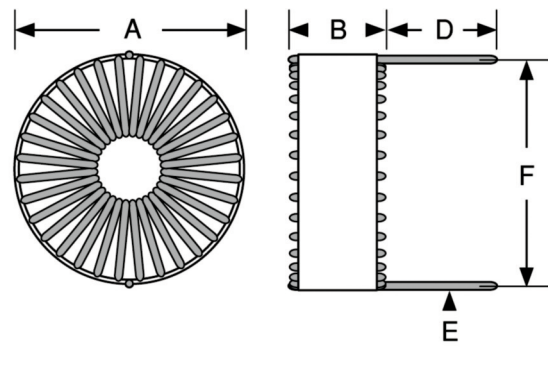
RoHS
Compliant

Traditional
First Quality

Toroidal Power Chokes – Horizontal or Vertical Mount



Vertical Configuration



Horizontal Configuration

PHYSICAL PARAMETERS

* **Nominal Dimensions** Allow up to 10% of nominal for maximum size

** **Part Number** Insert HF of KM for complete part number, and suffix "H" for horizontal mounting

Electrical Information on Preceding Page

| PART NUMBER | A Nominal* | | B Nominal* | | C Typical | | D Nominal* | | E Nominal* | | F Nominal* | |
|--------------|------------|-------|------------|-------|-----------|-------|------------|-------|------------|------|------------|-------|
| | Inches | mm | Inches | mm | Inches | mm | Inches | mm | Inches | mm | Inches | mm |
| PT**10-50 | 0.625 | 15.88 | 0.300 | 7.62 | 0.250 | 6.35 | 0.500 | 12.70 | 0.036 | 0.91 | 0.600 | 15.24 |
| PT**25-50 | 0.625 | 15.88 | 0.300 | 7.62 | 0.250 | 6.35 | 0.500 | 12.70 | 0.032 | 0.81 | 0.600 | 15.24 |
| PT**50-50 | 0.625 | 15.87 | 0.300 | 7.62 | 0.250 | 6.35 | 0.500 | 12.70 | 0.028 | 0.71 | 0.600 | 15.24 |
| PT**75-50 | 0.625 | 15.87 | 0.300 | 7.62 | 0.250 | 6.35 | 0.500 | 12.70 | 0.025 | 0.63 | 0.600 | 15.24 |
| PT**100-50 | 0.625 | 15.87 | 0.300 | 7.62 | 0.250 | 6.35 | 0.500 | 12.70 | 0.025 | 0.63 | 0.600 | 15.24 |
| PT**150-50 | 0.625 | 15.87 | 0.300 | 7.62 | 0.250 | 6.35 | 0.500 | 12.70 | 0.020 | 0.51 | 0.600 | 15.24 |
| PT**200-50 | 0.625 | 15.87 | 0.300 | 7.62 | 0.250 | 6.35 | 0.500 | 12.70 | 0.018 | 0.46 | 0.600 | 15.24 |
| PT**250-50 | 0.625 | 15.87 | 0.300 | 7.62 | 0.250 | 6.35 | 0.500 | 12.70 | 0.018 | 0.46 | 0.600 | 15.24 |
| PT**330-50 | 0.625 | 15.87 | 0.300 | 7.62 | 0.250 | 6.35 | 0.500 | 12.70 | 0.018 | 0.46 | 0.600 | 15.24 |
| PT**10-121 | 0.820 | 20.83 | 0.400 | 10.16 | 0.320 | 8.13 | 0.500 | 12.70 | 0.040 | 1.02 | 0.780 | 19.81 |
| PT**25-121 | 0.820 | 20.83 | 0.400 | 10.16 | 0.320 | 8.13 | 0.500 | 12.70 | 0.040 | 1.02 | 0.780 | 19.81 |
| PT**50-121 | 0.820 | 20.83 | 0.400 | 10.16 | 0.320 | 8.13 | 0.500 | 12.70 | 0.036 | 0.91 | 0.780 | 19.81 |
| PT**75-121 | 0.820 | 20.83 | 0.400 | 10.16 | 0.320 | 8.13 | 0.500 | 12.70 | 0.032 | 0.81 | 0.780 | 19.81 |
| PT**100-121 | 0.820 | 20.83 | 0.400 | 10.16 | 0.320 | 8.13 | 0.500 | 12.70 | 0.028 | 0.71 | 0.780 | 19.81 |
| PT**150-121 | 0.850 | 21.59 | 0.400 | 10.16 | 0.320 | 8.13 | 0.500 | 12.70 | 0.025 | 0.63 | 0.780 | 19.81 |
| PT**250-121 | 0.850 | 21.59 | 0.400 | 10.16 | 0.320 | 8.13 | 0.500 | 12.70 | 0.023 | 0.58 | 0.780 | 19.81 |
| PT**10-59 | 1.100 | 27.94 | 0.475 | 12.06 | 0.370 | 9.40 | 0.500 | 12.70 | 0.051 | 1.30 | 1.050 | 26.67 |
| PT**25-59 | 1.100 | 27.94 | 0.475 | 12.06 | 0.370 | 9.40 | 0.500 | 12.70 | 0.051 | 1.30 | 1.050 | 26.67 |
| PT**50-59 | 1.100 | 27.94 | 0.475 | 12.06 | 0.370 | 9.40 | 0.500 | 12.70 | 0.045 | 1.14 | 1.050 | 26.67 |
| PT**75-59 | 1.100 | 27.94 | 0.475 | 12.06 | 0.370 | 9.40 | 0.500 | 12.70 | 0.040 | 1.02 | 1.050 | 26.67 |
| PT**100-59 | 1.100 | 27.94 | 0.475 | 12.06 | 0.370 | 9.40 | 0.500 | 12.70 | 0.036 | 0.91 | 1.050 | 26.67 |
| PT**150-59 | 1.100 | 27.94 | 0.475 | 12.06 | 0.450 | 11.43 | 0.500 | 12.70 | 0.036 | 0.91 | 1.050 | 26.67 |
| PT**250-59 | 1.150 | 29.21 | 0.475 | 12.06 | 0.450 | 11.43 | 0.500 | 12.70 | 0.032 | 0.81 | 1.050 | 26.67 |
| PT**500-59 | 1.150 | 29.21 | 0.475 | 12.06 | 0.450 | 11.43 | 0.500 | 12.70 | 0.028 | 0.71 | 1.050 | 26.67 |
| PT**750-59 | 1.150 | 29.21 | 0.475 | 12.06 | 0.450 | 11.43 | 0.500 | 12.70 | 0.025 | 0.63 | 1.050 | 26.67 |
| PT**25-894 | 1.300 | 33.02 | 0.650 | 16.51 | 0.600 | 15.24 | 0.750 | 19.05 | 0.064 | 1.3 | 1.250 | 31.75 |
| PT**50-894 | 1.300 | 33.02 | 0.650 | 16.51 | 0.600 | 15.24 | 0.750 | 19.05 | 0.051 | 1.30 | 1.250 | 31.75 |
| PT**75-894 | 1.300 | 33.02 | 0.650 | 16.51 | 0.600 | 15.24 | 0.750 | 19.05 | 0.051 | 1.30 | 1.250 | 31.75 |
| PT**100-894 | 1.300 | 33.02 | 0.650 | 16.51 | 0.600 | 15.24 | 0.750 | 19.05 | 0.051 | 1.30 | 1.250 | 31.75 |
| PT**150-894 | 1.300 | 33.02 | 0.650 | 16.51 | 0.600 | 15.24 | 0.750 | 19.05 | 0.045 | 1.14 | 1.250 | 31.75 |
| PT**250-894 | 1.300 | 33.02 | 0.650 | 16.51 | 0.600 | 15.24 | 0.750 | 19.05 | 0.040 | 1.02 | 1.250 | 31.75 |
| PT**500-894 | 1.300 | 33.02 | 0.650 | 16.51 | 0.600 | 15.24 | 0.750 | 19.05 | 0.032 | 0.81 | 1.250 | 31.75 |
| PT**750-894 | 1.300 | 33.02 | 0.650 | 16.51 | 0.600 | 15.24 | 0.750 | 19.05 | 0.032 | 0.81 | 1.250 | 31.75 |
| PT**1000-894 | 1.300 | 33.02 | 0.650 | 16.51 | 0.600 | 15.24 | 0.750 | 19.05 | 0.028 | 0.71 | 1.250 | 31.75 |





Компания «ЭлектроПласт» предлагает заключение долгосрочных отношений при поставках импортных электронных компонентов на взаимовыгодных условиях!

Наши преимущества:

- Оперативные поставки широкого спектра электронных компонентов отечественного и импортного производства напрямую от производителей и с крупнейших мировых складов;
- Поставка более 17-ти миллионов наименований электронных компонентов;
- Поставка сложных, дефицитных, либо снятых с производства позиций;
- Оперативные сроки поставки под заказ (от 5 рабочих дней);
- Экспресс доставка в любую точку России;
- Техническая поддержка проекта, помощь в подборе аналогов, поставка прототипов;
- Система менеджмента качества сертифицирована по Международному стандарту ISO 9001;
- Лицензия ФСБ на осуществление работ с использованием сведений, составляющих государственную тайну;
- Поставка специализированных компонентов (Xilinx, Altera, Analog Devices, Intersil, Interpoint, Microsemi, Aeroflex, Peregrine, Syfer, Eurofarad, Texas Instrument, Miteq, Cobham, E2V, MA-COM, Hittite, Mini-Circuits, General Dynamics и др.);

Помимо этого, одним из направлений компании «ЭлектроПласт» является направление «Источники питания». Мы предлагаем Вам помощь Конструкторского отдела:

- Подбор оптимального решения, техническое обоснование при выборе компонента;
- Подбор аналогов;
- Консультации по применению компонента;
- Поставка образцов и прототипов;
- Техническая поддержка проекта;
- Защита от снятия компонента с производства.



Как с нами связаться

Телефон: 8 (812) 309 58 32 (многоканальный)

Факс: 8 (812) 320-02-42

Электронная почта: org@eplast1.ru

Адрес: 198099, г. Санкт-Петербург, ул. Калинина, дом 2, корпус 4, литера А.