

PC Card (PCMCIA) Dual Interface Switch

FEATURES

- Single SO-16 Package
- CMOS Logic Compatible Inputs
- Smart Switching
- Slow V_{CC} Ramp Times
- Extremely Low R_{ON}
- Supports Dual PC Card Slots
- Reverse Blocking Switches
- Low Power Consumption
- Safe Power-Up

DESCRIPTION

The Si9707 offers an integrated solution for dual PC Card power interfaces that require only V_{CC} switching. This part is ideal for systems that operate at 5 V and provide V_{PP} from the main supply, or from a dedicated Flash RAM 12-V supply.

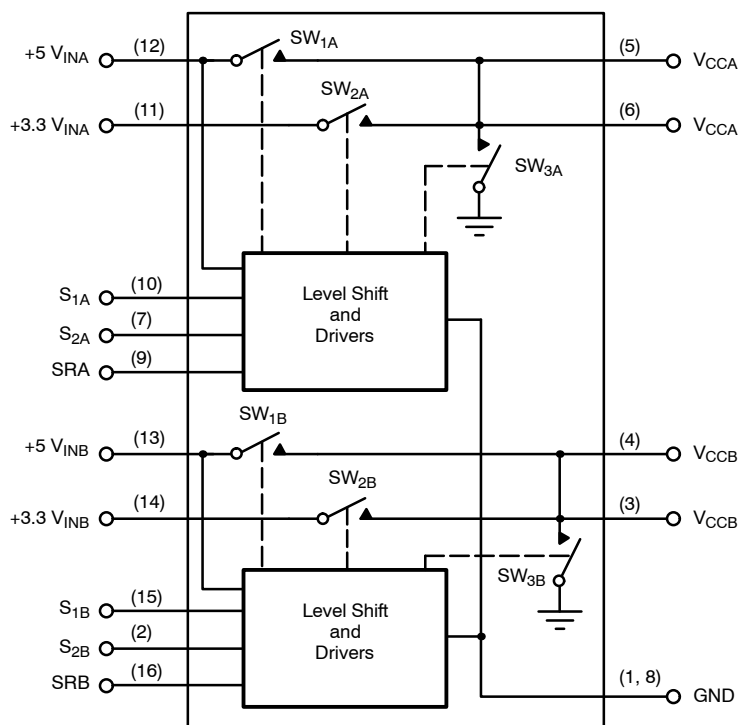
The Si9707 operates off the 5-V supply with built-in level shifting. The V_{CC} outputs function independently and internal logic protects each slot against a control logic error that would short 5 V to the 3.3-V supply. This protection logic also allows the Si9707 to be configured for positive or negative control

logic for compatibility with a variety of PC Card controllers. These control inputs are CMOS logic compatible and can be driven to 3.3 V or 5 V.

The PC Card Dual Interface Switch is available in a SO-16 narrow-body package and is rated over the industrial temperature range of -40 to 85°C .

The Si9707 is available in both standard and lead (Pb)-free packages.

FUNCTIONAL BLOCK DIAGRAM



Vishay Siliconix

ABSOLUTE MAXIMUM RATINGS

Voltages Referenced to Ground

+5 V _{INA} , +5 V _{INB}	7 V
+3.3 V _{INA} , +3.3 V _{INB}	7 V
S _{1A} and S _{2A} , S _{1B} , S _{2B} (CMOS Inputs)	7 V
All Pins	-0.5 V
I _{OUT} V _{CCA} ^a , I _{OUT} V _{CCB} ^b	4 A

PD Max ^c : (T _A = 25°C)	1.65 W
(T _A = 85°C)	0.65 W

Junction Temperature

125°C

Thermal Ratings: R_{θJA}^c

60 °C/W

Notes

a. Pins 5, 6 connected together externally.

b. Pins 3, 4 connected together externally.

c. Mounted on 1-IN², FR4 PC Board.

RECOMMENDED OPERATING CONDITIONS

+5 V _{INA} , +5 V _{INB} (must be present)	5 V ± 10%
+3.3 V _{INA} , +3.3 V _{INB}	3.3 V ± 10%
C _{SR} A, C _{SR} B	33 nF
I _{OUT} V _{CCA} ^a , I _{OUT} V _{CCB} ^b	2 A

V_{CC} Load Capacitance

150 μF Max

Notes

a. Pins 5, 6 connected together externally.

b. Pins 3, 4 connected together externally.

SPECIFICATIONS

Parameter	Symbol	Test Conditions Unless Otherwise Specified C _{SR} = 33 nF, +5 V _{IN} = 5 V +3.3 V _{IN} = 3.3 V, Low ≤ 0.8 V, High ≥ 2.2 V		Limits -40 to 85°C			Unit
				Min ^a	Typ	Max ^a	
Switch SW_{1A}, SW_{1B}							
On-Resistance	R _{ON}	I = 500 mA, S ₁ = High S ₂ = Low	T _A = 25°C		58	70	mΩ
			T _A = 85°C		73	90	
Off Current (V _{CC})	I _{OFF}	+5 V _{IN} = 5.5 V, V _{CC} = 0 V S ₁ = S ₂ = Low	T _A = 25°C			1	μA
			T _A = 85°C			10	
Rise Time	t _{S1(on)}	S ₂ = Low, See Figure 1		0.2	1.7	5	ms
Fall Time	t _{S1(off)}			10	30	50	
Switch SW_{2A}, SW_{2B}							
On-Resistance	R _{ON}	I = 500 mA, S ₂ = High S ₁ = Low	T _A = 25°C		44	55	mΩ
			T _A = 85°C		55	70	
Off Current (+3.3 V _{IN})	I _{OFF}	+3.3 V _{IN} = 3.6 V, V _{CC} = 0 V S ₁ = S ₂ = Low	T _A = 25°C			1	μA
			T _A = 85°C			10	
Rise Time	t _{S2(on)}	S ₁ = Low, See Figure 1		0.1	0.9	5	ms
Fall Time	t _{S2(off)}			5	20	40	
Switch SW_{3A}, SW_{3B}							
On-Resistance	R _{ON}	I = 2 mA, S ₁ = S ₂ = Low	T _A = 25°C		140	400	Ω
			T _A = 85°C		200	500	
Power Supply							
+5 V _{IN} Current Input (on)	I _{+5VIN(1)}	S ₁ = 0 V, S ₂ = 3 V			20	50	μA
	I _{+5VIN(2)}				20	50	
+5 V _{IN} Current Input (off)	I _{+5VIN(3)}	S ₁ = S ₂ = 0 V			< 1	10	
Switch Control Inputs S_{1X}, S_{2X}							
Input Voltage High	V _{I(H)}	+5 V _{INX} = 5.5 V	2.2	1.8			V
		+5 V _{INX} = 4.5 V	2.2	1.6			
Input Voltage Low	V _{I(L)}	+5 V _{INX} = 5.5 V		1.6	0.8		V
		+5 V _{INX} = 4.5 V		1.4	0.8		
Input Current High	I _{I(H)}	S _{1X} , S _{2X} = 5 V				1.0	μA
Input Current Low	I _{I(L)}	S _{1X} , S _{2X} = GND	-1.0				

Notes

a. The algebraic convention whereby the most negative value is a minimum and the most positive a maximum.

www.vishay.com

2

Document Number: 70018
S-40744—Rev. F, 19-Apr-04

TIMING WAVEFORMAS

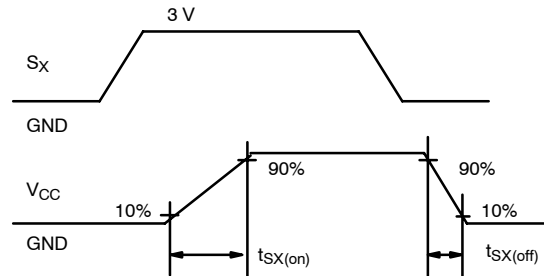
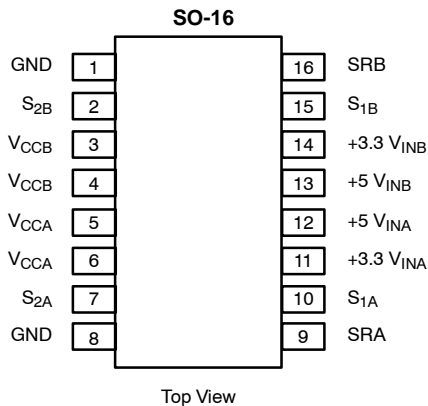


FIGURE 1. Switch Ramp Time

PIN CONFIGURATION, DESCRIPTION AND ORDERING INFORMATION



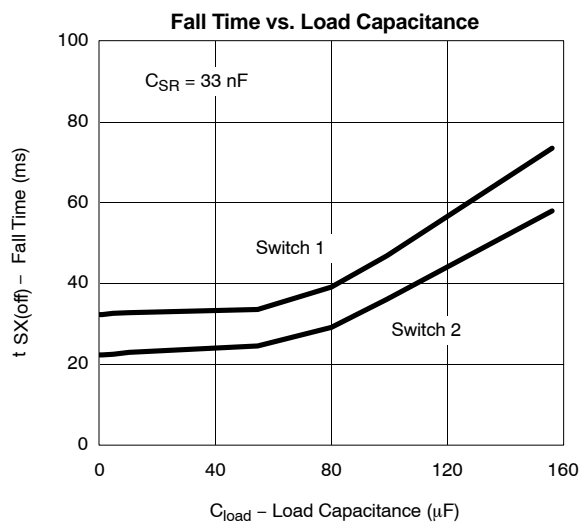
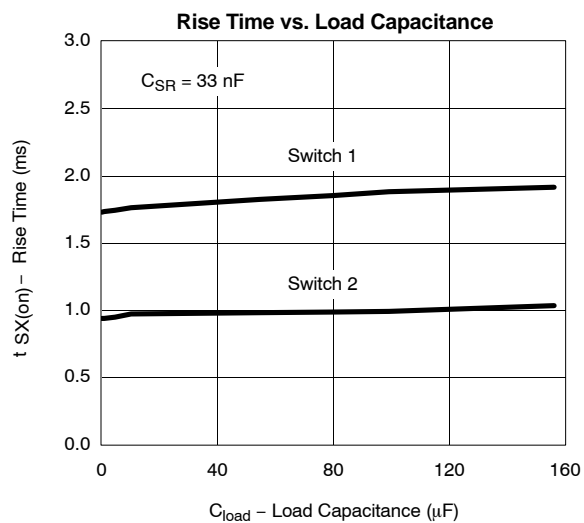
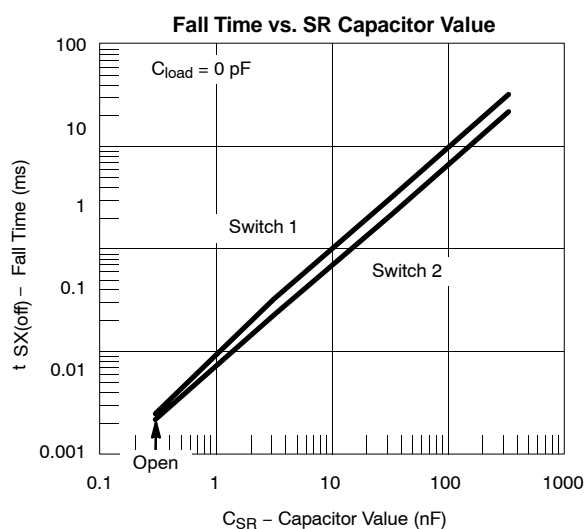
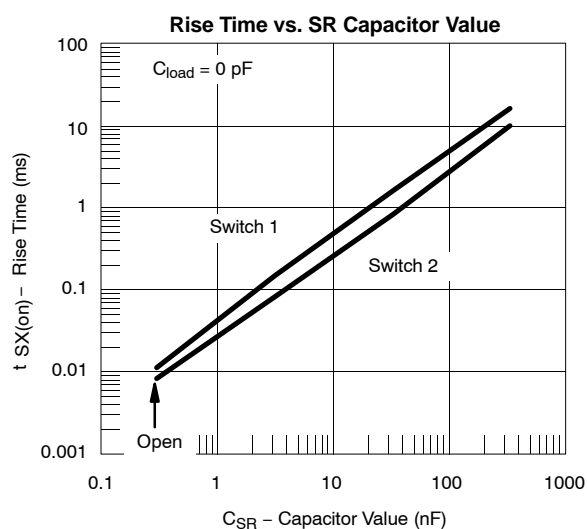
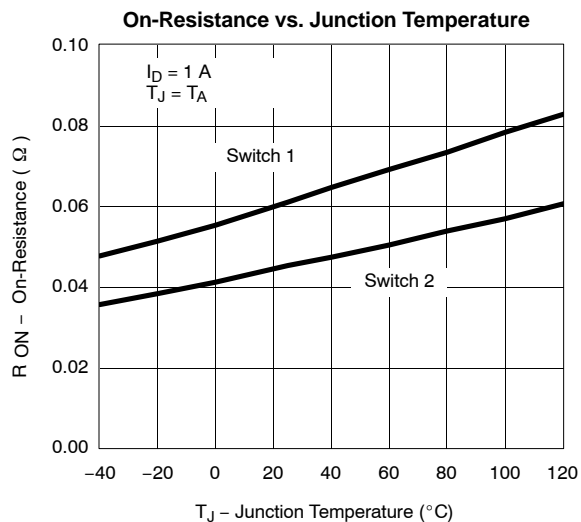
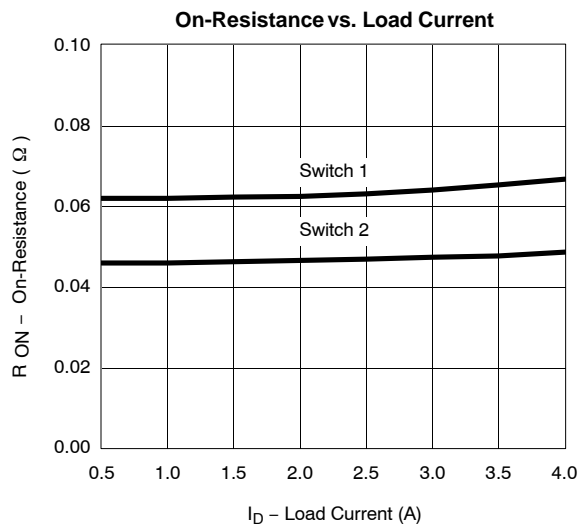
Function	Pin Number	Description
S _{1A}	10	Control input for selecting +5 V _{INA} to V _{CCA} .
S _{1B}	15	Control input for selecting +5 V _{INB} to V _{CCB} .
S _{2A}	7	Control input for selecting +3.3 V _{INA} to V _{CCA} .
S _{2B}	2	Control input for selecting +3.3 V _{INB} to V _{CCB} .
GND	1, 8	Ground connection.
V _{CCA}	5, 6	Supply voltage to slot.
V _{CCB}	3, 4	Supply voltage to slot.
+3.3 V _{INA}	11	+3.3-V supply.
+3.3 V _{INB}	14	+3.3-V supply.
+5 V _{INA}	12	+5-V supply.
+5 V _{INB}	13	+5-V supply.
SRA	9	Slew rate control pin.
SRB	16	Slew rate control pin.

ORDERING INFORMATION		
Part Number	Temperature Range	Package
Si9707DY	-40 to 85°C	SOIC-16
Si9707DY-T1		
Si9707DY-T1-E3		

TRUTH TABLE				
S _{1X}	S _{2X}	Switch 1X	Switch 2X	Switch 3X
0	0	Off	Off	On
0	1	Off	On	Off
1	0	On	Off	Off
1	1	Off	Off	On

Notes
a. The smart switching of the Si9707 avoids potential host damage by defaulting to off during error conditions.

TYPICAL CHARACTERISTICS (25 °C UNLESS OTHERWISE NOTED)





Disclaimer

All product specifications and data are subject to change without notice.

Vishay Intertechnology, Inc., its affiliates, agents, and employees, and all persons acting on its or their behalf (collectively, "Vishay"), disclaim any and all liability for any errors, inaccuracies or incompleteness contained herein or in any other disclosure relating to any product.

Vishay disclaims any and all liability arising out of the use or application of any product described herein or of any information provided herein to the maximum extent permitted by law. The product specifications do not expand or otherwise modify Vishay's terms and conditions of purchase, including but not limited to the warranty expressed therein, which apply to these products.

No license, express or implied, by estoppel or otherwise, to any intellectual property rights is granted by this document or by any conduct of Vishay.

The products shown herein are not designed for use in medical, life-saving, or life-sustaining applications unless otherwise expressly indicated. Customers using or selling Vishay products not expressly indicated for use in such applications do so entirely at their own risk and agree to fully indemnify Vishay for any damages arising or resulting from such use or sale. Please contact authorized Vishay personnel to obtain written terms and conditions regarding products designed for such applications.

Product names and markings noted herein may be trademarks of their respective owners.



Компания «ЭлектроПласт» предлагает заключение долгосрочных отношений при поставках импортных электронных компонентов на взаимовыгодных условиях!

Наши преимущества:

- Оперативные поставки широкого спектра электронных компонентов отечественного и импортного производства напрямую от производителей и с крупнейших мировых складов;
- Поставка более 17-ти миллионов наименований электронных компонентов;
- Поставка сложных, дефицитных, либо снятых с производства позиций;
- Оперативные сроки поставки под заказ (от 5 рабочих дней);
- Экспресс доставка в любую точку России;
- Техническая поддержка проекта, помощь в подборе аналогов, поставка прототипов;
- Система менеджмента качества сертифицирована по Международному стандарту ISO 9001;
- Лицензия ФСБ на осуществление работ с использованием сведений, составляющих государственную тайну;
- Поставка специализированных компонентов (Xilinx, Altera, Analog Devices, Intersil, Interpoint, Microsemi, Aeroflex, Peregrine, Syfer, Eurofarad, Texas Instrument, Miteq, Cobham, E2V, MA-COM, Hittite, Mini-Circuits, General Dynamics и др.);

Помимо этого, одним из направлений компании «ЭлектроПласт» является направление «Источники питания». Мы предлагаем Вам помощь Конструкторского отдела:

- Подбор оптимального решения, техническое обоснование при выборе компонента;
- Подбор аналогов;
- Консультации по применению компонента;
- Поставка образцов и прототипов;
- Техническая поддержка проекта;
- Защита от снятия компонента с производства.



Как с нами связаться

Телефон: 8 (812) 309 58 32 (многоканальный)

Факс: 8 (812) 320-02-42

Электронная почта: org@eplast1.ru

Адрес: 198099, г. Санкт-Петербург, ул. Калинина, дом 2, корпус 4, литера А.