

MICRO SWITCH

FREEDPORT ILLINOIS U.S.A.
A DIVISION OF HONEYWELL

FED. MFG. CODE 91929

SWITCH - TOGGLE

CATALOG LISTING
112TW1-70 SERIES

CHART 1

THIS DRAWING COVERS A PROPRIETARY ITEM AND IS THE PROPERTY OF MICRO SWITCH, A DIVISION OF HONEYWELL. THIS DRAWING IS NOT TO BE COPIED OR USED WITHOUT THE APPROVAL OF MICRO SWITCH.

CATALOG LISTING

AVAILABLE LOCKING COMBINATIONS FOR CONFIGURATION SEE LETTERING DETAILS

STYLE NUMBER

ELECTRICAL DATA

28 VDC & 125 VAC
5 AMP RES
2 AMP IND
1 AMP LAMP

112 TW-70

1

112 TW-70

E, L, N

2

"A"



LOCKED IN THREE POSITIONS

"B"



LOCKED IN CENTER AND EXTREME POSITION (KEYWAY SIDE)

"D"



LOCKED OUT OF CENTER POSITION

"E"



LOCKED IN CENTER POSITION

"F"



LOCKED IN EXTREME POSITION (OPPOSITE KEYWAY)

"G"



LOCKED IN EXTREME POSITION (KEYWAY SIDE)

"H"



LOCKED OUT OF CENTER AND EXTREME POSITION (KEYWAY SIDE)

"J"



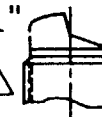
LOCKED OUT OF CENTER AND EXTREME POSITION (OPPOSITE KEYWAY)

"K"



LOCKED IN CENTER AND EXTREME POSITION (OPPOSITE KEYWAY)

"L"



LOCKED OUT OF EXTREME POSITION (KEYWAY SIDE)

"M"



LOCKED OUT OF AND INTO EXTREME POSITION (OPPOSITE KEYWAY)

"N"

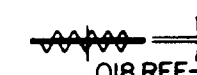


LOCKED OUT OF EXTREME POSITION (OPPOSITE KEYWAY)

"P"



LOCKED OUT OF AND INTO EXTREME POSITION (KEYWAY SIDE)



.018 REF
.60 DIA

LOCKWASHER (PART NO. TS-10013)

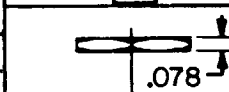


.05
.040
.10



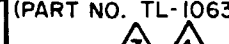
.72 DIA
.392

LOCKING RING (PART NO. EN-12449)



.078
.56

HEX NUT (2) (PART NO. TL-10632)

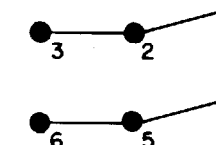
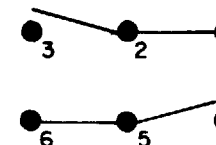
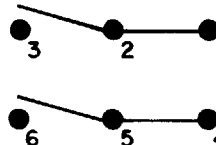


CIRCUIT MADE WITH TOGGLE LEVER IN

KEYWAY SIDE

CENTER

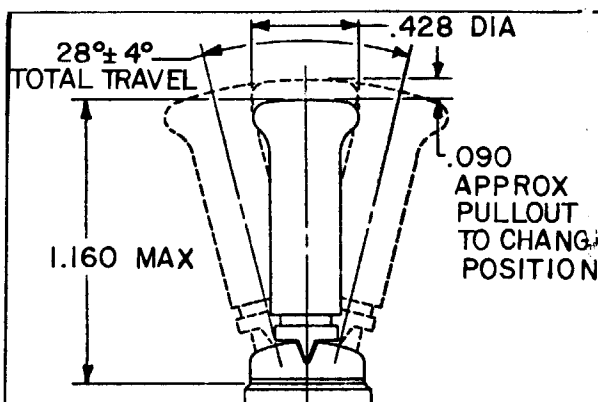
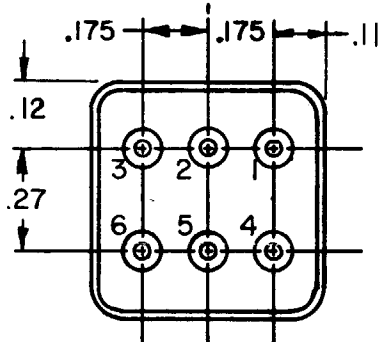
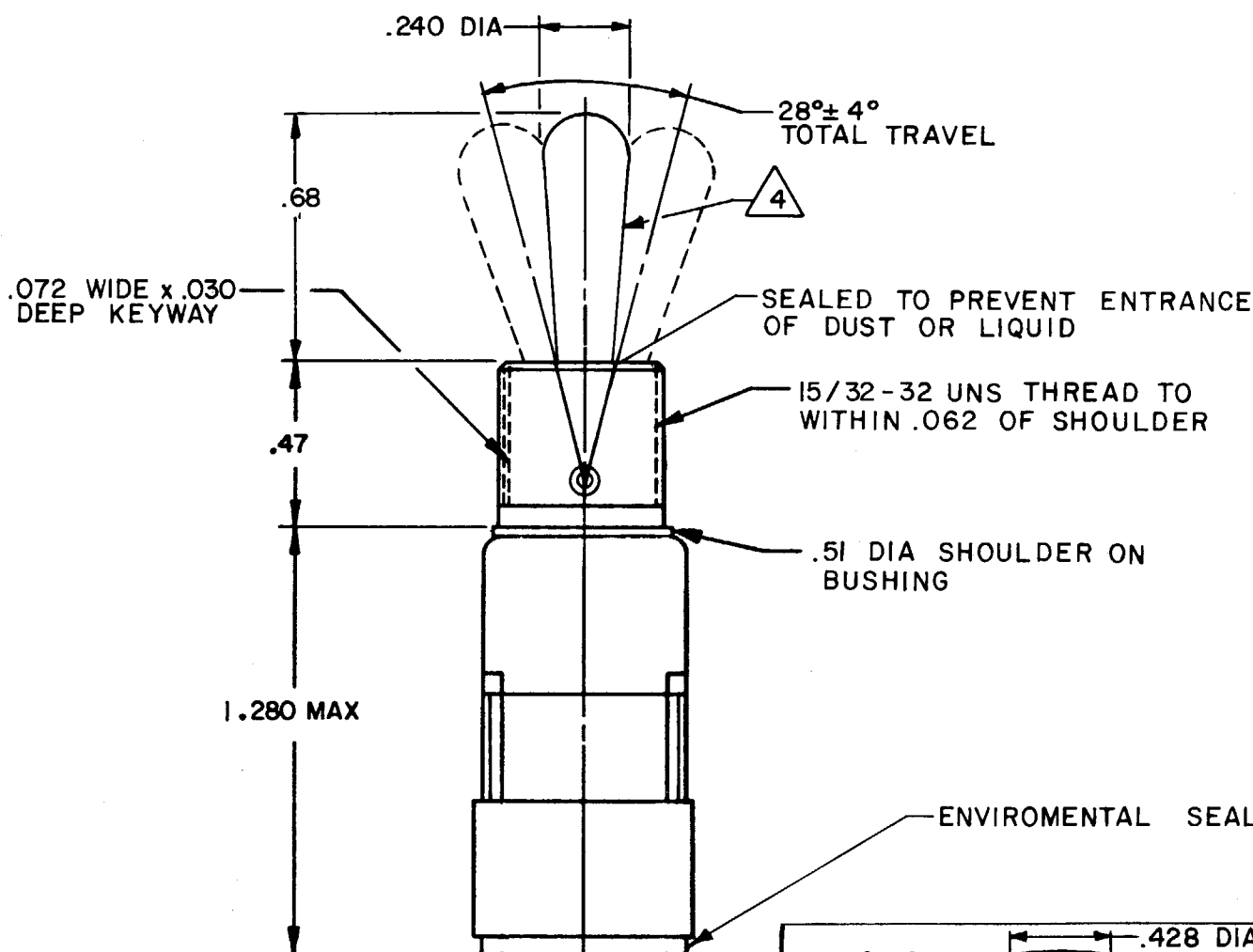
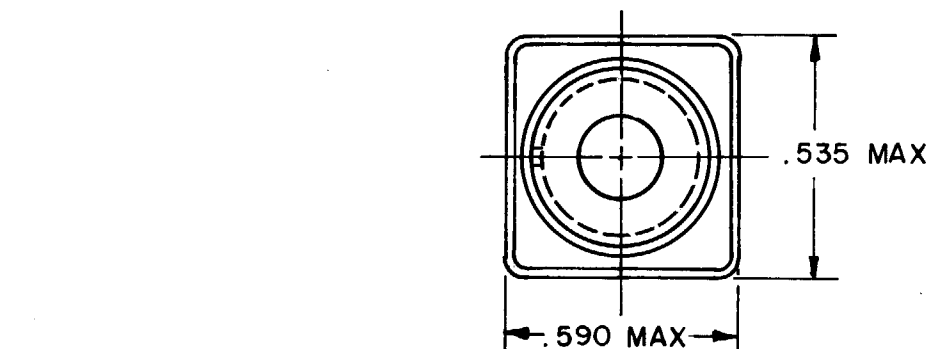
OPPOSITE KEYWAY



MOMENTARY POSITION

MAINTAINED POSITION

MOMENTARY POSITION



STYLE 2 LEVER

NOTES

- 1 - TERMINATION WILL ACCEPT CRIMP CONTACT CONFORMING TO M39029/1-101
- 2 - SWITCH DESIGNED TO CONFORM TO MS 277 021 EXCEPT TERMINATION LENGTH AND WEIGHT
- 3 - FURNISHED UNASSEMBLED
- 4 - MATTE FINISH
- 5 - SUFFIX MUST BE ADDED FOR DESIRED TYPE TOGGLE LOCKING

112TW1-70 SERIES
CHART 1

DRAWING NUMBER
M 112TW1-70
ISSUE
X 3
7

REVISIONS
A CO 50565
12 DEC 81
B CO 53417
WJM 27 JUL 83
C CO54350
KJS 31 MAR 84
D CO 55602
WJM 5 JUL 84
E DWG 085 207334
CSL 18 SEP 92
F RE-INS PR-21132
DAW 24 MAY 94

CHECK
GJH 21 DEC 78

FO-22851
DRAWN
S J B 19 DEC 78
CHECK

SCALE 2:1
DO NOT SCALE PRINT
UNLESS OTHERWISE NOTED
DIMENSIONS ARE IN INCHES
TOLERANCES ARE:
ONE PLACE (.0) ±.030
TWO PLACE (.00) ±.018
THREE PLACE (.000) ±.008
ANGLES ±
WEIGHT

MICRO SWITCH

FREEDPORT ILLINOIS U.S.A.
A DIVISION OF HONEYWELL

FED. MFG. CODE 91929

SWITCH - TOGGLE

CATALOG LISTING
112TW1-70 SERIES

CHART 1

THIS DRAWING COVERS A PROPRIETARY ITEM AND IS THE PROPERTY OF MICRO SWITCH, A DIVISION OF HONEYWELL. THIS DRAWING IS NOT TO BE COPIED OR USED WITHOUT THE APPROVAL OF MICRO SWITCH.

CATALOG LISTING

AVAILABLE LOCKING COMBINATIONS FOR CONFIGURATION SEE LETTERING DETAILS

STYLE NUMBER

ELECTRICAL DATA

28 VDC & 125 VAC
5 AMP RES
2 AMP IND
1 AMP LAMP

112 TW-70

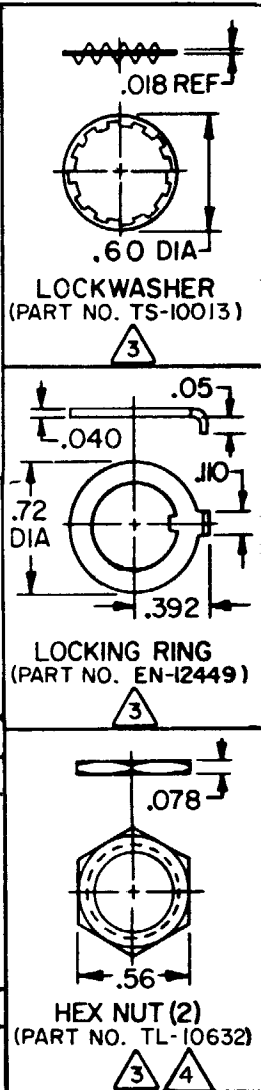
112 TW-70

E, L, N

1

2

"A" LOCKED IN THREE POSITIONS	"B" LOCKED IN CENTER AND EXTREME POSITION (KEYWAY SIDE)	"D" LOCKED OUT OF CENTER POSITION	"E" LOCKED IN CENTER POSITION	"F" LOCKED IN EXTREME POSITION (OPPOSITE KEYWAY)
"G" LOCKED IN EXTREME POSITION (KEYWAY SIDE)	"H" LOCKED OUT OF CENTER AND EXTREME POSITION (KEYWAY SIDE)	"J" LOCKED OUT OF CENTER AND EXTREME POSITION (OPPOSITE KEYWAY)	"K" LOCKED IN CENTER AND EXTREME POSITION (OPPOSITE KEYWAY)	"L" LOCKED OUT OF EXTREME POSITION (KEYWAY SIDE)
"M" LOCKED OUT OF AND INTO EXTREME POSITION (OPPOSITE KEYWAY)	"N" LOCKED OUT OF EXTREME POSITION (OPPOSITE KEYWAY)	"P" LOCKED OUT OF AND INTO EXTREME POSITION (KEYWAY SIDE)		



CIRCUIT MADE WITH TOGGLE LEVER IN

KEYWAY SIDE	CENTER	OPPOSITE KEYWAY
MOMENTARY POSITION	MAINTAINED POSITION	MOMENTARY POSITION

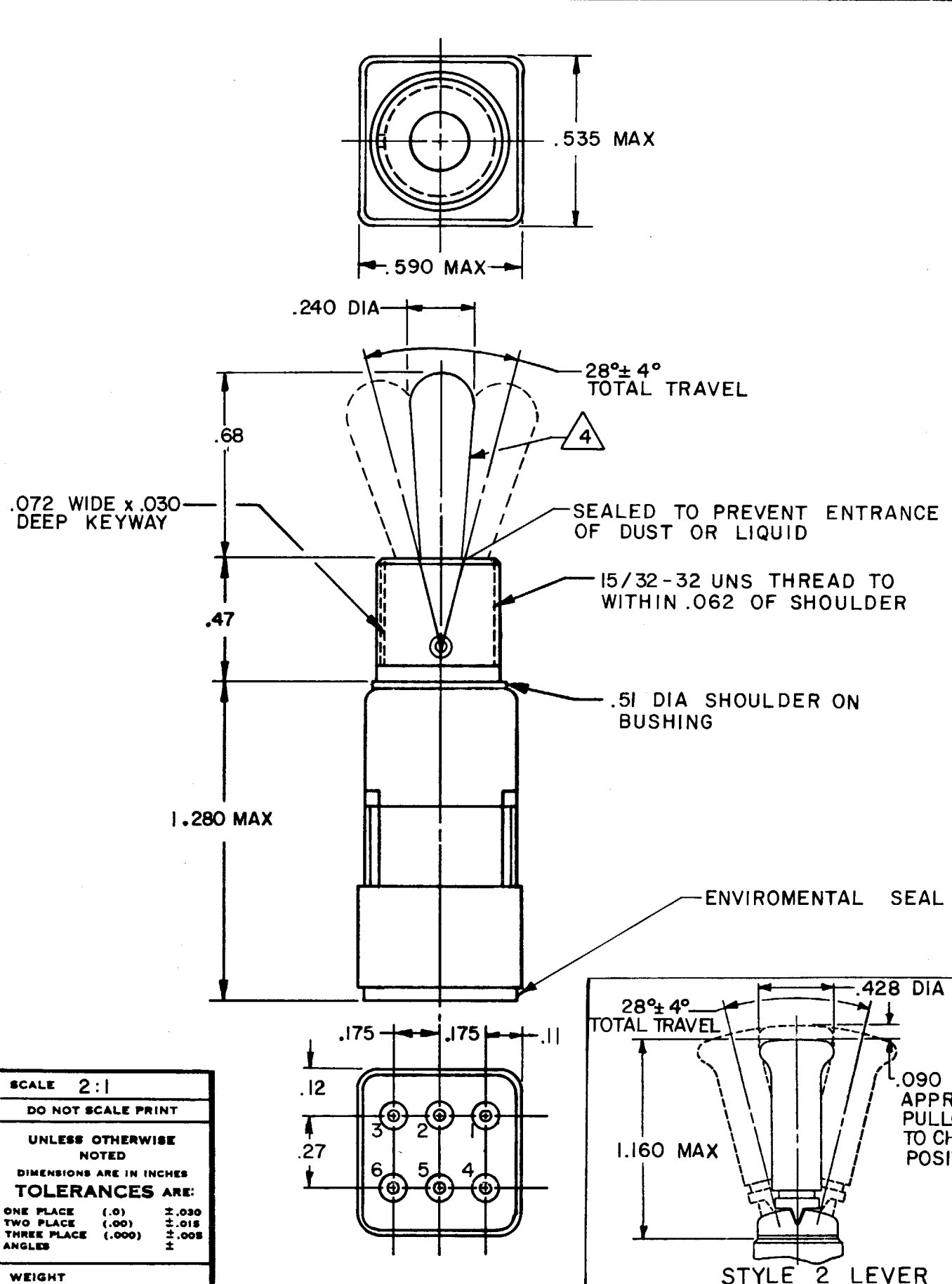
112TW1-70 SERIES
CHART 1

DRAWING NUMBER
M
ISSUE
X
7

REVISIONS
A CO 50565
12 DEC 81
B CO 53417
WJM 27 JUL 83
C CO54350
KJS 31 MAR 84
D CO 55602
WJM 5 JUL 84
E DWG 085 207334
18 SEP 92
F RE-INS PR-21132
D A W 24 MAY 94

FO-22851
DRAWN
S J B 19 DEC 78
CHECK
G L H 21 DEC 78

REPLACES
RELEASE NO. PR-7564



.072 WIDE x .030 DEEP KEYWAY

SEALED TO PREVENT ENTRANCE OF DUST OR LIQUID

15/32-32 UNS THREAD TO WITHIN .062 OF SHOULDER

.51 DIA SHOULDER ON BUSHING

ENVIRONMENTAL SEAL

SCALE 2:1
DO NOT SCALE PRINT

UNLESS OTHERWISE NOTED
DIMENSIONS ARE IN INCHES

TOLERANCES ARE:

ONE PLACE (.0)	±.030
TWO PLACE (.00)	±.018
THREE PLACE (.000)	±.008
ANGLES	±

WEIGHT

NOTES

- 1 - TERMINATION WILL ACCEPT CRIMP CONTACT CONFORMING TO M39029/1-101
 - 2 - SWITCH DESIGNED TO CONFORM TO MS 277 021 EXCEPT TERMINATION LENGTH AND WEIGHT
- FURNISHED UNASSEMBLED
MATTE FINISH
SUFFIX MUST BE ADDED FOR DESIRED TYPE TOGGLE LOCKING



Компания «ЭлектроПласт» предлагает заключение долгосрочных отношений при поставках импортных электронных компонентов на взаимовыгодных условиях!

Наши преимущества:

- Оперативные поставки широкого спектра электронных компонентов отечественного и импортного производства напрямую от производителей и с крупнейших мировых складов;
- Поставка более 17-ти миллионов наименований электронных компонентов;
- Поставка сложных, дефицитных, либо снятых с производства позиций;
- Оперативные сроки поставки под заказ (от 5 рабочих дней);
- Экспресс доставка в любую точку России;
- Техническая поддержка проекта, помощь в подборе аналогов, поставка прототипов;
- Система менеджмента качества сертифицирована по Международному стандарту ISO 9001;
- Лицензия ФСБ на осуществление работ с использованием сведений, составляющих государственную тайну;
- Поставка специализированных компонентов (Xilinx, Altera, Analog Devices, Intersil, Interpoint, Microsemi, Aeroflex, Peregrine, Syfer, Eurofarad, Texas Instrument, Miteq, Cobham, E2V, MA-COM, Hittite, Mini-Circuits, General Dynamics и др.);

Помимо этого, одним из направлений компании «ЭлектроПласт» является направление «Источники питания». Мы предлагаем Вам помощь Конструкторского отдела:

- Подбор оптимального решения, техническое обоснование при выборе компонента;
- Подбор аналогов;
- Консультации по применению компонента;
- Поставка образцов и прототипов;
- Техническая поддержка проекта;
- Защита от снятия компонента с производства.



Как с нами связаться

Телефон: 8 (812) 309 58 32 (многоканальный)

Факс: 8 (812) 320-02-42

Электронная почта: org@eplast1.ru

Адрес: 198099, г. Санкт-Петербург, ул. Калинина, дом 2, корпус 4, литера А.