

THIS DRAWING IS UNPUBLISHED. RELEASED FOR PUBLICATION - . - .
© COPYRIGHT - By - ALL RIGHTS RESERVED.

REVISIONS					
P	LTR	DESCRIPTION	DATE	DWN	APVD
	T5	PART STATUS UPDATED	22JAN2018	RK	PS

PHYSICAL PROPERTIES:
HOUSING MATERIAL: PBT
FLAMMABILITY: UL94V-0
COLOR: BLACK
MAX BOW/WARP: .0056 IN/IN.

MECHANICAL:
PITCH (TERMINAL SPACING): .563"
WIRE RANGE: 10-22 AWG
RECOMMENDED TIGHTENING TORQUE: 14IN-LBS MAX.

TERMINAL:
TERMINALS: BRASS, TIN PLATED. (UNLESS OTHERWISE STATED)
SCREWS: 8-32 STEEL, NICKEL PLATED. (UNLESS OTHERWISE STATED)
Q.C. TABS: BRASS, NICKEL PLATED.

ELECTRICAL PROPERTIES:
MAXIMUM CURRENT: 30A
OPERATING VOLTAGE: 300V

ENVIRONMENTAL PROPERTIES:
OPERATING TEMP RANGE: -40°C TO 120°C

- △ STAINLESS STEEL SCREWS.
- △ WHITE INK STAMP.
- △ NICKEL PLATED BRASS TERMINALS.
- △ NICKEL PLATED BRASS SCREWS.
- △ SEE FIGURE.
- △ PRELIMINARY PART NUMBER.
- △ OBSOLETE PART NUMBER.
- △ TE CONNECTIVITY LOGO LOCATED APPROXIMATE AREA SHOWN.

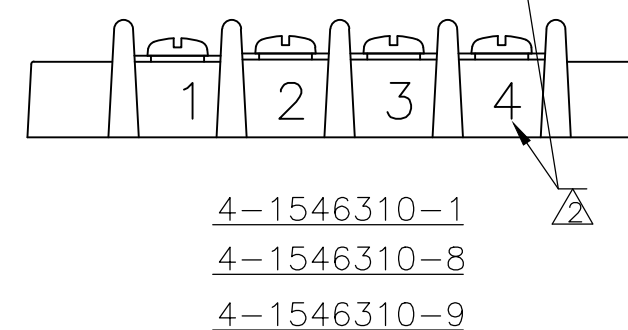
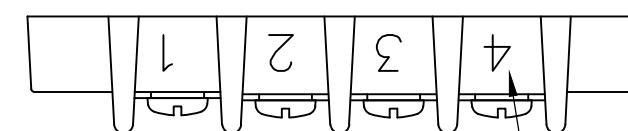
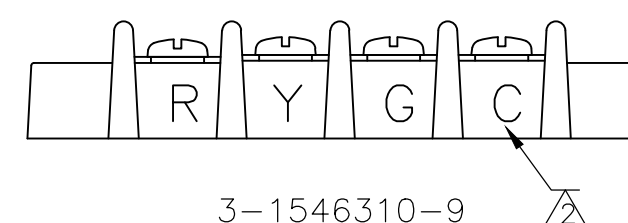
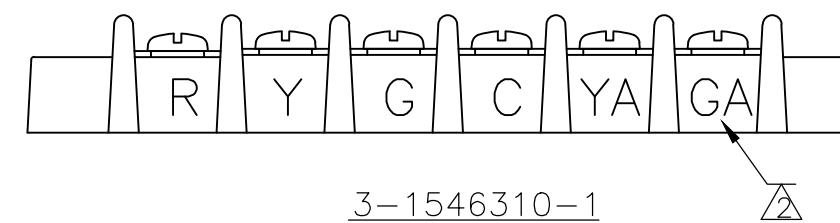
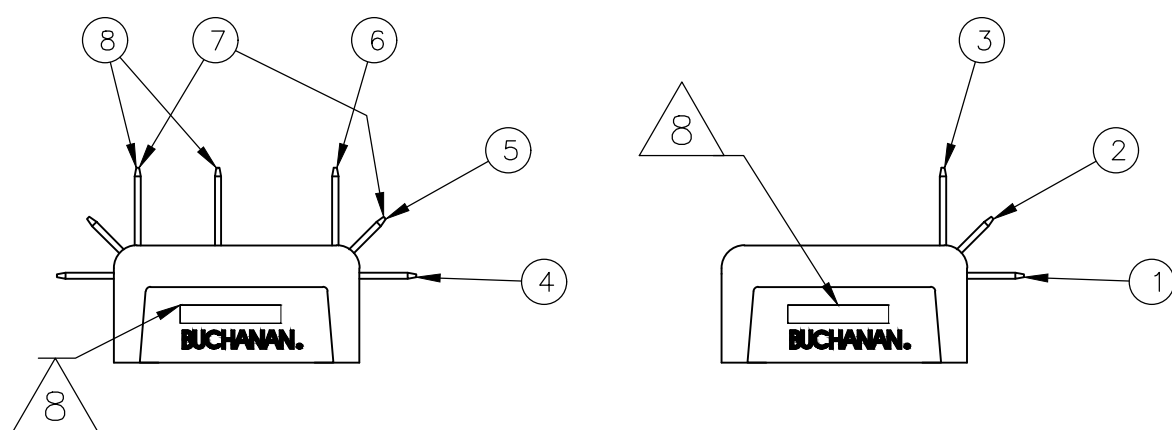
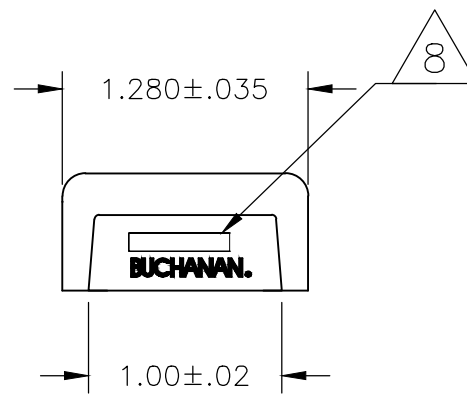
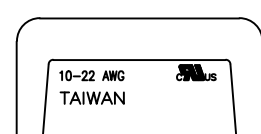
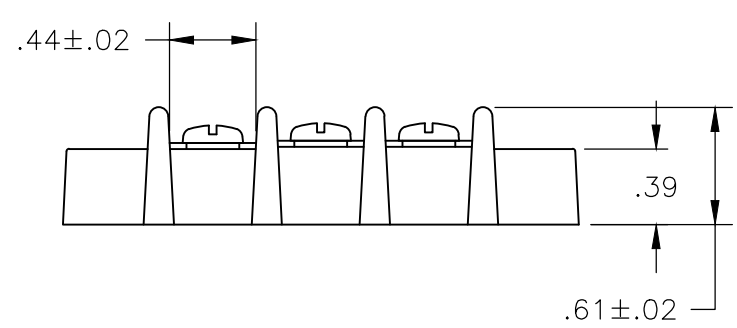
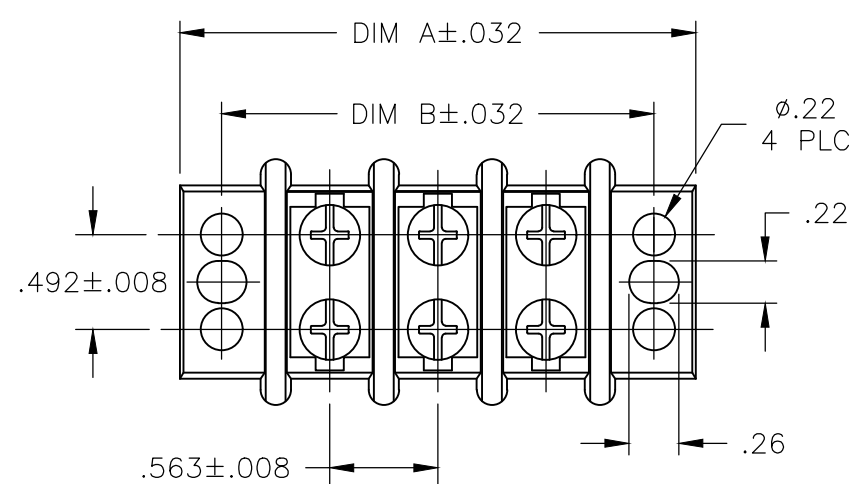
△6/5	-	-	-	-	-	-	-	-	-	-	7.886	8.323	13	1-1546310-3
△2/7	-	-	-	-	-	-	-	12	12	12	7.323	7.760	12	4-1546310-8
△	-	8	-	-	-	12	12	12	-	-	7.323	7.760	12	4-1546310-7
△	-	-	-	-	12	12	12	-	-	-	7.323	7.760	12	4-1546310-6
△	-	-	-	-	-	-	-	-	-	-	7.323	7.760	12	1-1546310-2
△	-	-	-	-	-	-	-	-	-	-	6.760	7.179	11	1-1546310-1
△	-	-	-	-	-	-	-	-	-	-	6.197	6.634	10	1-1546310-0
△	-	-	-	-	-	-	-	-	-	-	5.634	6.071	9	1546310-9
△4/7	-	-	-	-	-	-	-	-	-	8	5.071	5.508	8	4-1546310-5
△	-	8	8	-	-	-	-	-	-	-	5.071	5.508	8	2-1546310-9
△	-	-	-	-	-	-	-	-	-	-	5.071	5.508	8	1546310-8
△	-	-	-	-	-	7	-	-	-	-	4.508	4.945	7	3-1546310-8
△	-	-	-	-	-	-	-	-	-	-	4.508	4.945	7	1546310-7
△4/7	-	-	-	-	-	-	-	-	-	6	3.945	4.382	6	4-1546310-4
△4/7	-	-	-	-	-	-	-	-	-	-	3.945	4.382	6	4-1546310-3
△	-	-	-	-	-	-	-	-	-	6	3.945	4.382	6	4-1546310-2
△5/3/2/1/7	-	-	-	-	-	-	-	-	-	-	3.945	4.382	6	3-1546310-1
△	-	-	-	-	-	6	-	-	-	-	3.945	4.382	6	3-1546310-0
△	-	6	6	-	-	-	-	-	-	-	3.945	4.382	6	2-1546310-8
△5/4/3/7	-	1	1	-	-	5	1	-	-	-	3.945	4.382	6	2-1546310-6
△1/7	-	-	-	-	-	-	-	6	-	-	3.945	4.382	6	2-1546310-3
△1/7	-	-	-	-	-	-	-	-	6	-	3.945	4.382	6	2-1546310-2
△	-	-	-	-	-	-	-	-	6	6	3.945	4.382	6	2-1546310-1
△5/2/7	-	-	-	-	-	-	-	-	6	6	3.945	4.382	6	1546636-1
△6/1	-	-	-	6	-	-	-	-	6	-	3.945	4.382	6	1-1546310-9
△	-	-	-	6	-	-	-	-	-	-	3.945	4.382	6	1546589-1
△	-	-	-	-	-	-	-	-	-	-	3.945	4.382	6	1546310-6
△	-	-	-	-	-	5	-	-	-	-	3.382	3.819	5	3-1546310-7
△5/4/3/7	-	1	1	-	-	-	-	-	-	5	3.382	3.819	5	2-1546310-7
△	-	-	-	-	-	-	-	-	-	-	3.382	3.819	5	1546310-5
△2/6	-	-	-	-	-	-	-	4	4	4	2.819	3.256	4	5-1546310-0
△5/4/3/2/7	-	-	-	-	-	-	-	-	-	-	2.819	3.256	4	4-1546310-1
△4/4	-	-	-	-	-	-	-	-	-	-	2.819	3.256	4	4-1546310-0
△5/3/2/1/7	-	-	-	-	-	-	-	-	-	-	2.819	3.256	4	3-1546310-9
△	-	-	-	-	-	-	-	-	-	-	2.819	3.256	4	1546310-4
△4/3/7	-	-	-	-	-	-	-	-	-	-	2.256	2.693	3	2-1546310-5
△5/1/7	-	-	-	-	-	-	-	3	1	-	2.256	2.693	3	2-1546310-4
△6/5/1	-	-	-	1	2	-	-	1	-	-	2.256	2.693	3	2-1546310-0
△	-	-	-	-	-	-	-	-	-	-	2.256	2.693	3	1546310-3
△	-	-	-	-	-	-	-	2	-	-	1.693	2.130	2	5-1546310-1
△	-	-	-	-	-	-	-	-	-	-	1.693	2.130	2	1546310-2

NOTES	9	8	7	6	5	4	3	2	1	DIM B	DIM A	NO. OF POSN	PART NUMBER
	OTB JUMPER	.250 QC TAB 90° DOUBLE SIDE	.250 QC TAB 90°/45° DOUBLE SIDE	.250 QC TAB 90° DOUBLE SIDE	.250 QC TAB 45° DOUBLE SIDE	.250 QC TAB STRAIGHT DOUBLE SIDE	.250 QC TAB 90° SINGLE SIDE	.250 QC TAB 45° SINGLE SIDE	.250 QC TAB STRAIGHT SINGLE SIDE				

THIS DRAWING IS A CONTROLLED DOCUMENT.		DWN 16FEB2007 S SCHLEGEL	 TE Connectivity Ltd.
DIMENSIONS: INCHES		CHK 2/16/07 S YODER	
TOLERANCES UNLESS OTHERWISE SPECIFIED:		APVD 2/16/07 S YODER	NAME 14.3 (.563) DBL ROW BARRIER STRIP W/O WASHER
0 PLC ± - 1 PLC ± - 2 PLC ± - 3 PLC ± - 4 PLC ± - ANGLES ± -		PRODUCT SPEC -	SIZE A2
MATERIAL -		APPLICATION SPEC -	CAGE CODE 00779
FINISH -		WEIGHT -	DRAWING NO C=1546310
		CUSTOMER DRAWING	RESTRICTED TO -
		SCALE NTS	SHEET 1 OF 4
		REV T5	

THIS DRAWING IS UNPUBLISHED. RELEASED FOR PUBLICATION
 © COPYRIGHT - By - ALL RIGHTS RESERVED.

REVISIONS				
P	LTR	DESCRIPTION	DATE	APVD
-	-	SEE SHEET 1	-	-



REV	DESCRIPTION	DATE	BY	CHKD	APVD	QTY	POSN	NO. OF POSN	DIM B	DIM A	PART NUMBER												
2						2		2	1.693	2.130	5-1546310-1												
									10.701	11.138	18 1-1546310-8												
									10.138	10.575	17 1-1546310-7												
									9.575	10.012	16 1-1546310-6												
									9.012	9.449	15 1-1546310-5												
6							14	14	8.449	8.886	14 4-1546310-9												
									8.449	8.886	14 1-1546310-4												
NOTES		9	OTB JUMPER	8	.250 QC TAB 90° DOUBLE SIDE	7	.250 QC TAB 90°/45° DOUBLE SIDE	6	.250 QC TAB 90° DOUBLE SIDE	5	.250 QC TAB 45° DOUBLE SIDE	4	.250 QC TAB STRAIGHT DOUBLE SIDE	3	.250 QC TAB 90° SINGLE SIDE	2	.250 QC TAB 45° SINGLE SIDE	1	.250 QC TAB STRAIGHT SINGLE SIDE	DIM B	DIM A	NO. OF POSN	PART NUMBER

THIS DRAWING IS A CONTROLLED DOCUMENT.

DIMENSIONS: INCHES

TOLERANCES UNLESS OTHERWISE SPECIFIED:

0 PLC	±	-
1 PLC	±	-
2 PLC	±	-
3 PLC	±	-
4 PLC	±	-
ANGLES	±	-

MATERIAL: - FINISH: -

APPROVALS:

DWN	S SCHLEGEL	16FEB2007
CHK	S YODER	2/16/07
APVD	S YODER	2/16/07

PRODUCT SPEC: - APPLICATION SPEC: - WEIGHT: -

CUSTOMER DRAWING

SCALE: NTS SHEET: 2 OF 4 REV: T5

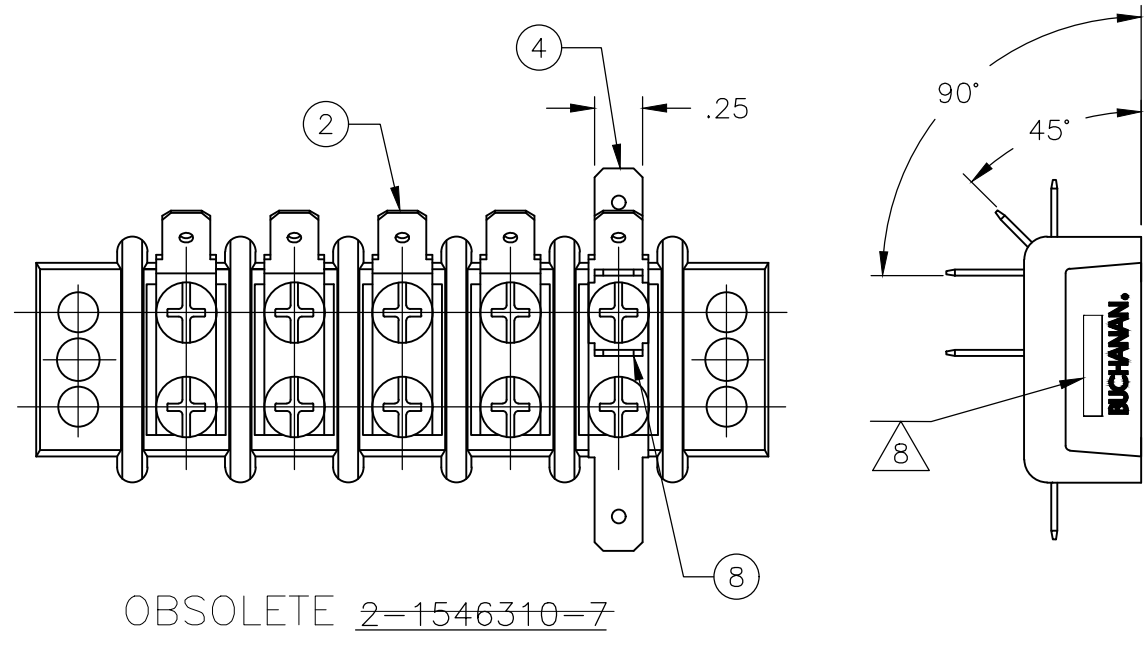
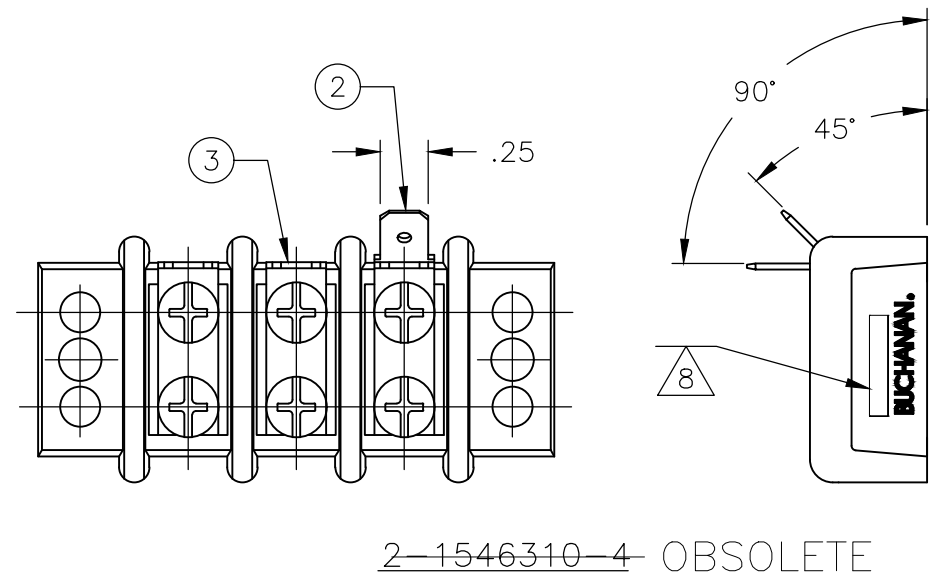
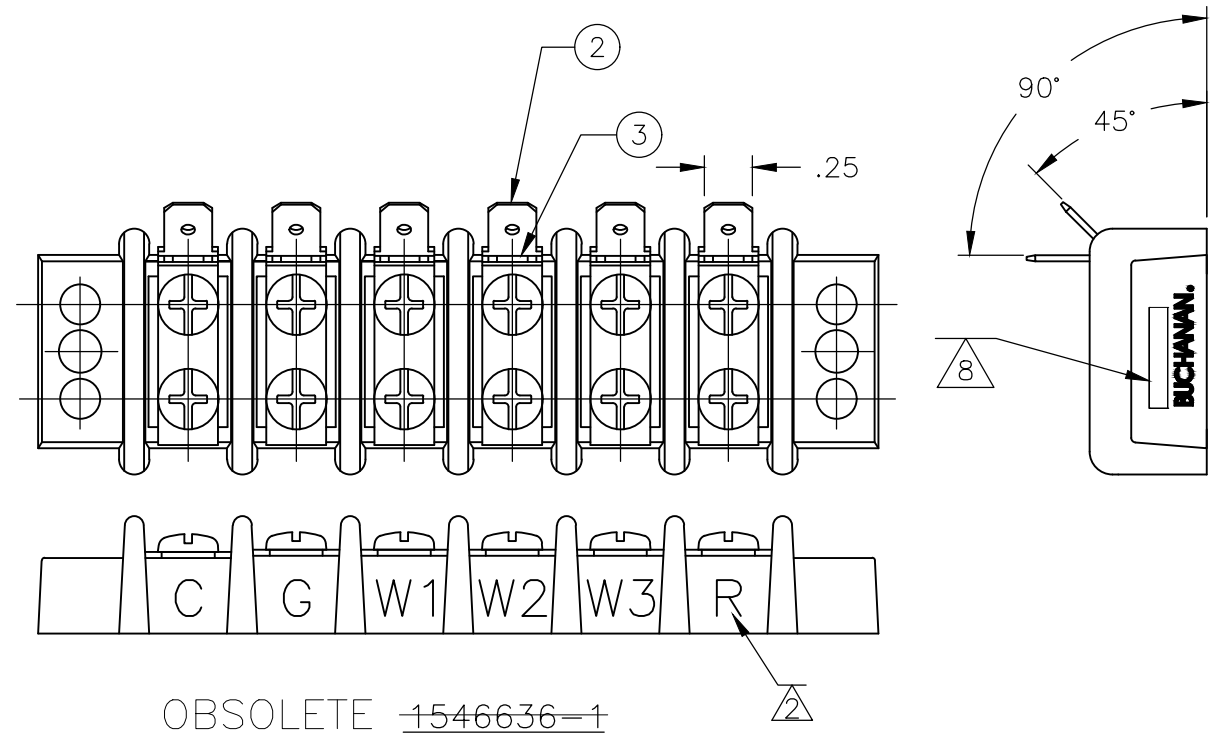
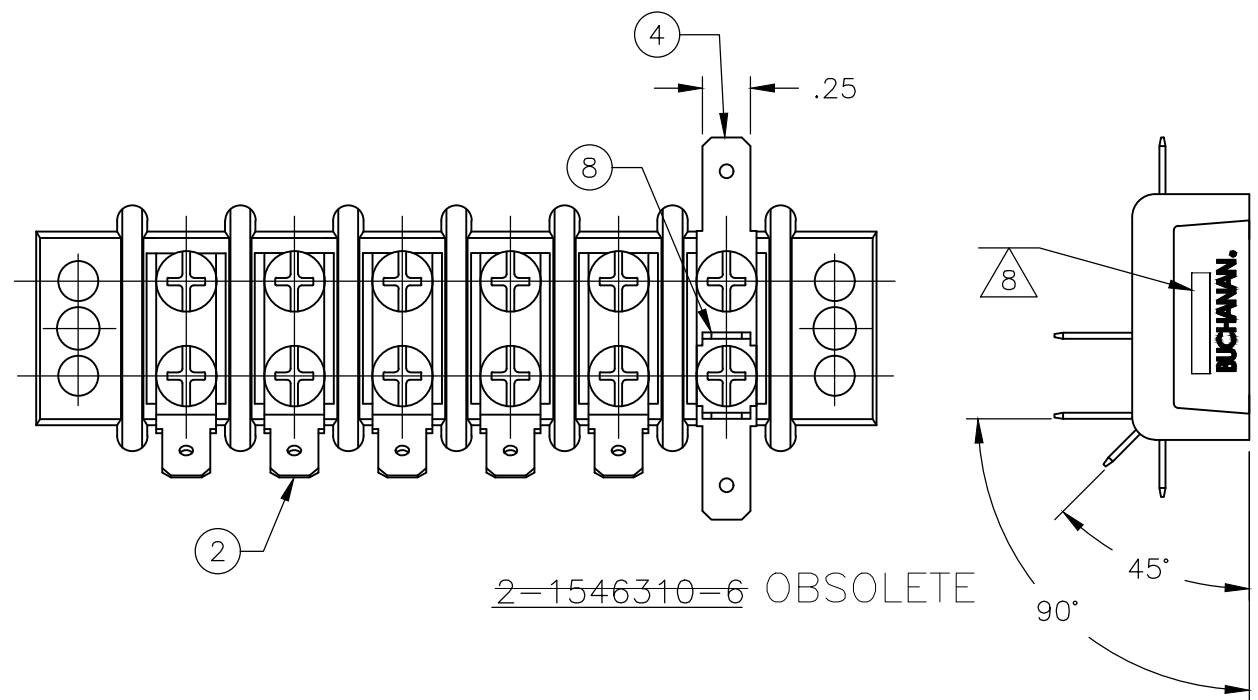
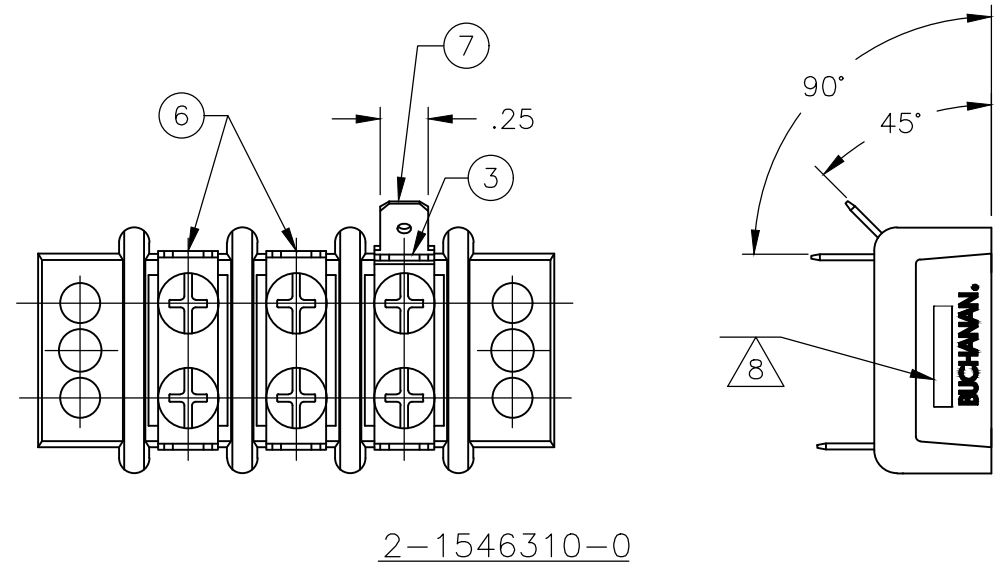
TE Connectivity Ltd.

14.3 (.563) DBL ROW BARRIER STRIP W/O WASHER


SIZE: A2 CAGE CODE: 00779 DRAWING NO: C=1546310 RESTRICTED TO: -

THIS DRAWING IS UNPUBLISHED. RELEASED FOR PUBLICATION
 © COPYRIGHT - By - ALL RIGHTS RESERVED.

REVISIONS					
P	LTR	DESCRIPTION	DATE	DWN	APVD
-	-	SEE SHEET 1	-	-	-

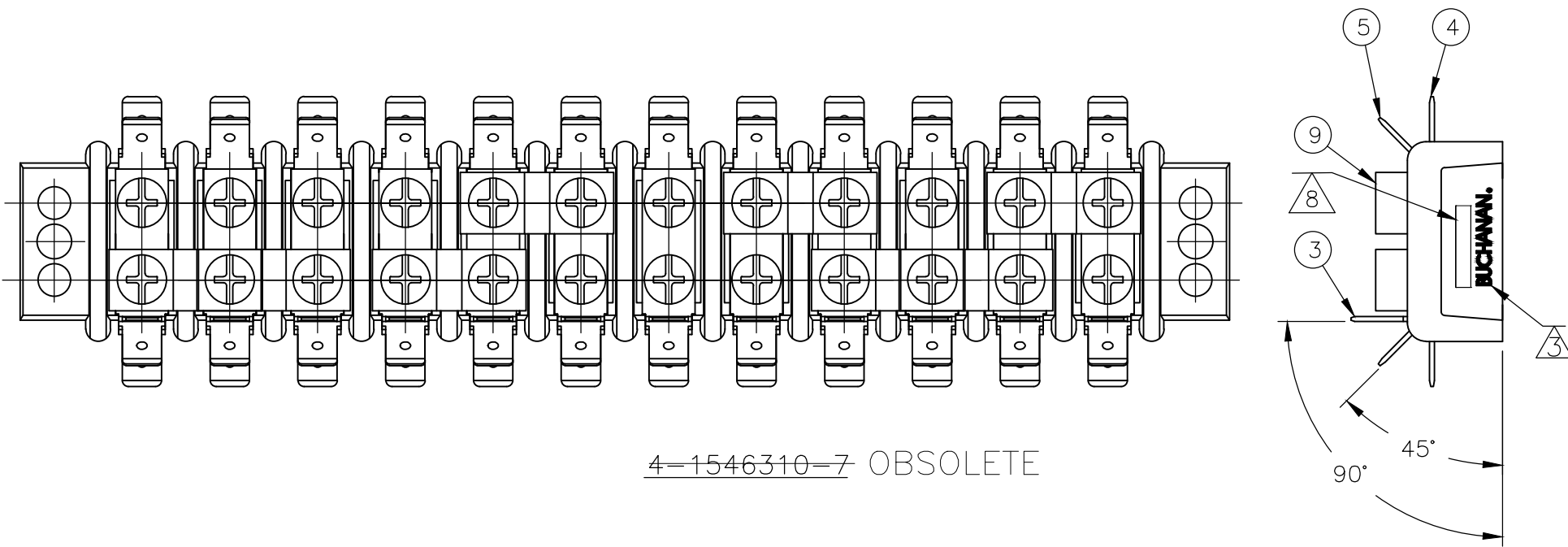


1546310

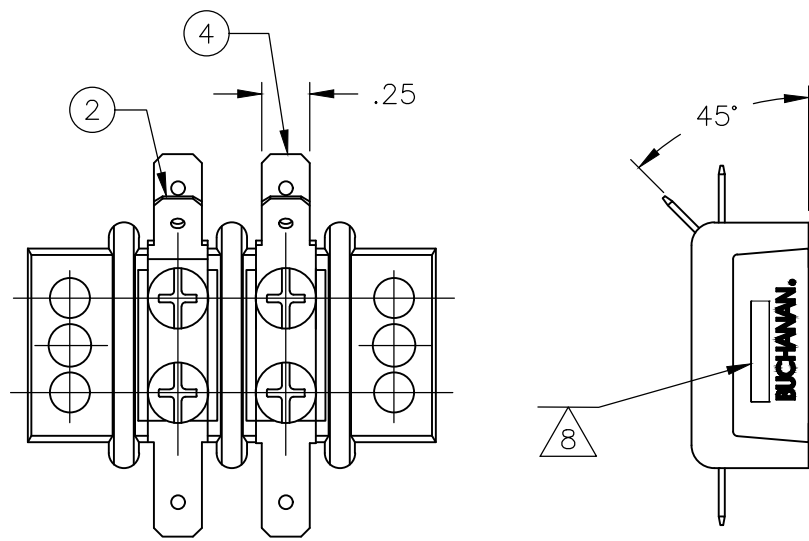
THIS DRAWING IS A CONTROLLED DOCUMENT.		DWN S SCHLEGEL 16FEB2007	 TE Connectivity Ltd.	
DIMENSIONS: INCHES		CHK S YODER 2/16/07		
TOLERANCES UNLESS OTHERWISE SPECIFIED:		APVD S YODER 2/16/07	NAME 14.3 (.563) DBL ROW BARRIER STRIP W/O WASHER	
0 PLC ± - 1 PLC ± - 2 PLC ± - 3 PLC ± - 4 PLC ± - ANGLES ± -		PRODUCT SPEC -	SIZE A2	CAGE CODE 00779
MATERIAL -		FINISH -	DRAWING NO C=1546310	RESTRICTED TO -
CUSTOMER DRAWING		WEIGHT -	SCALE NTS	SHEET 3 OF 4
		REV T5		

THIS DRAWING IS UNPUBLISHED. RELEASED FOR PUBLICATION
 © COPYRIGHT - By - ALL RIGHTS RESERVED.

REVISIONS				
P	LTR	DESCRIPTION	DATE	APVD
-	-	SEE SHEET 1	-	-



4-1546310-7 OBSOLETE



5-1546310-1

THIS DRAWING IS A CONTROLLED DOCUMENT.		DWN S SCHLEGEL 16FEB2007	TE Connectivity Ltd.																			
DIMENSIONS: INCHES		CHK S YODER 2/16/07																				
TOLERANCES UNLESS OTHERWISE SPECIFIED:		APVD S YODER 2/16/07	NAME 14.3 (.563) DBL ROW BARRIER STRIP W/O WASHER																			
<table border="0"> <tr><td>0 PLC</td><td>±</td><td>-</td></tr> <tr><td>1 PLC</td><td>±</td><td>-</td></tr> <tr><td>2 PLC</td><td>±</td><td>-</td></tr> <tr><td>3 PLC</td><td>±</td><td>-</td></tr> <tr><td>4 PLC</td><td>±</td><td>-</td></tr> <tr><td>ANGLES</td><td>±</td><td>-</td></tr> </table>		0 PLC	±	-	1 PLC	±	-	2 PLC	±	-	3 PLC	±	-	4 PLC	±	-	ANGLES	±	-	PRODUCT SPEC -	APPLICATION SPEC -	RESTRICTED TO -
0 PLC	±	-																				
1 PLC	±	-																				
2 PLC	±	-																				
3 PLC	±	-																				
4 PLC	±	-																				
ANGLES	±	-																				
MATERIAL -	FINISH -	WEIGHT -	SIZE A2	CAGE CODE 00779																		
CUSTOMER DRAWING			SCALE NTS	DRAWING NO C=1546310																		
			SHEET 4 OF 4	REV T5																		

1546310



Компания «ЭлектроПласт» предлагает заключение долгосрочных отношений при поставках импортных электронных компонентов на взаимовыгодных условиях!

Наши преимущества:

- Оперативные поставки широкого спектра электронных компонентов отечественного и импортного производства напрямую от производителей и с крупнейших мировых складов;
- Поставка более 17-ти миллионов наименований электронных компонентов;
- Поставка сложных, дефицитных, либо снятых с производства позиций;
- Оперативные сроки поставки под заказ (от 5 рабочих дней);
- Экспресс доставка в любую точку России;
- Техническая поддержка проекта, помощь в подборе аналогов, поставка прототипов;
- Система менеджмента качества сертифицирована по Международному стандарту ISO 9001;
- Лицензия ФСБ на осуществление работ с использованием сведений, составляющих государственную тайну;
- Поставка специализированных компонентов (Xilinx, Altera, Analog Devices, Intersil, Interpoint, Microsemi, Aeroflex, Peregrine, Syfer, Eurofarad, Texas Instrument, Miteq, Cobham, E2V, MA-COM, Hittite, Mini-Circuits, General Dynamics и др.);

Помимо этого, одним из направлений компании «ЭлектроПласт» является направление «Источники питания». Мы предлагаем Вам помощь Конструкторского отдела:

- Подбор оптимального решения, техническое обоснование при выборе компонента;
- Подбор аналогов;
- Консультации по применению компонента;
- Поставка образцов и прототипов;
- Техническая поддержка проекта;
- Защита от снятия компонента с производства.



Как с нами связаться

Телефон: 8 (812) 309 58 32 (многоканальный)

Факс: 8 (812) 320-02-42

Электронная почта: org@eplast1.ru

Адрес: 198099, г. Санкт-Петербург, ул. Калинина, дом 2, корпус 4, литера А.