

## 11 mm Square GS Encoders

Type: **EVER/EVEU/EVEV/EVEY**

### ■ Features

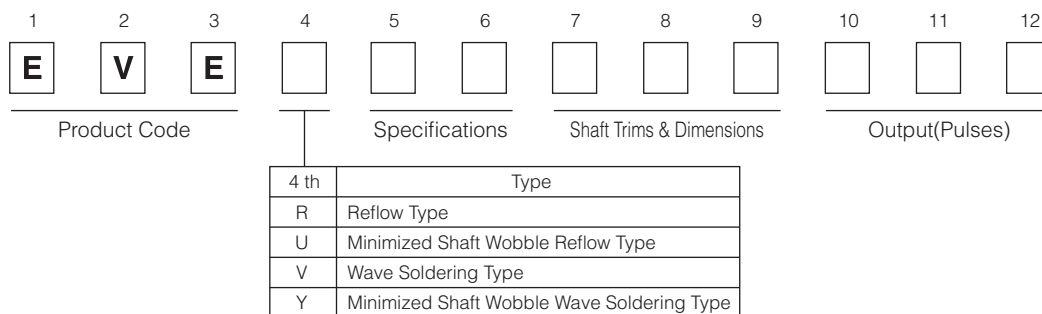
- Low Profile : Reflow Type 3.5 mm,  
Wave Soldering Type 4 mm
- Minimized shaft wobble type is also available
- The reflow type allows the product to be automatically mounted and reflow-soldered



### ■ Recommended Applications

- Car audio, car navigation, car air conditioners

### ■ Explanation of Part Numbers



### ■ Specifications

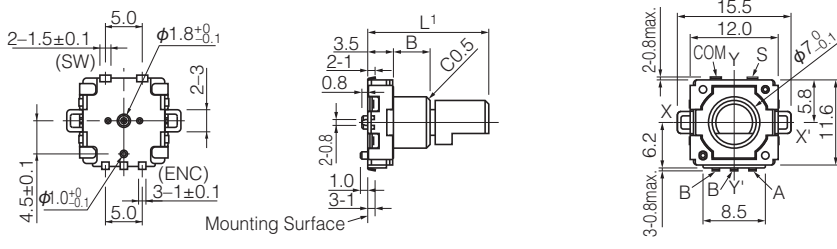
|                               |                                 | EVER<br>(Reflow Type)  | EVEV<br>(Wave Soldering<br>Type) | EVEU<br>(Minimized Shaft<br>Wobble Reflow Type) | EVEY<br>(Minimized Shaft Wobble<br>Wave Soldering Type) |
|-------------------------------|---------------------------------|--|----------------------------------|---|---|
| Mechanical                    | Rotation Angle                  | 360 ° (Endless)  |                                  |   |   |
|                               | Shaft Pull/Push Strength        | 100 N min.   |                                  |   |   |
|                               | Shaft Wobble                    | 0.6×L/30 (mm) max.   |                                  | 0.35×L/30 (mm) max.                             |   |
|                               | Rotation Torque                 | 8 mN·m, 10 mN·m, 12 mN·m, 14 mN·m  |                                  |   |   |
|                               | Detents                         | 16 points, 24 points, 30 points, 32 points                                   |                                  |   |   |
|                               | Shaft Length Range              | L1=15 to 20 mm   | L1=15 to 30 mm                   | L1=16 to 20 mm                                  |   |
| Electrical                    | Output Signals                  | Phase A and B  |                                  |   |   |
|                               | Resolution                      | 8, 12, 15, 16 pulses/360 °   |                                  |   |   |
|                               | Rating                          | 1 mA 10 V DC (at each bit)   |                                  |   |   |
|                               | Contact Resistance              | 1 Ω max.   |                                  |   |   |
|                               | Chattering                      | 3 ms max.  |                                  |   |   |
|                               | Insulation Resistance           | 50 MΩ min. (at 250 V DC)   |                                  |   |   |
|                               | Dielectric Withstanding Voltage | 300 V AC for 1 minute  |                                  |   |   |
| Switch Part                   | Bouncing                        | 5 ms max.  |                                  |   |   |
|                               | Type                            | SPST Push-on   |                                  |   |   |
|                               | Rating                          | 20 mA 16 V DC  |                                  |   |   |
|                               | Contact Resistance              | 100 mΩ max.  |                                  |   |   |
|                               | Operating Force                 | 0.4 mm travel type : 3 N, 4 N , 6 N<br>1.5 mm travel type : 2.5 N, 4 N , 5 N |                                  |   |   |
| Endurance                     | Travel                          | 0.4 mm, 1.5 mm   |                                  |   |   |
|                               | Rotation Life (Encoder)         | 30,000 cycles min.   |                                  |   |   |
|                               | Operating Life (Switch)         | 30,000 cycles min.   |                                  |   |   |
| Minimum Quantity/Packing Unit |                                 | 50 pcs. (Tray Pack)  | 100 pcs. (Tray Pack)             | 50 pcs. (Tray Pack)                             | 100 pcs. (Tray Pack)                                    |
| Quantity/Carton               |                                 | 250 pcs. or 300 pcs.   | 500 pcs.                         | 250 pcs. or 300 pcs.                            | 500 pcs.  |

Design and specifications are each subject to change without notice. Ask factory for the current technical specifications before purchase and/or use.  
Should a safety concern arise regarding this product, please be sure to contact us immediately.

■ Dimensions in mm (not to scale)

**No. 1**

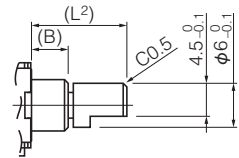
**EVER**  
(Reflow Type)



General dimension tolerance : ± 0.5  
( ) dimensions are reference dimensions.

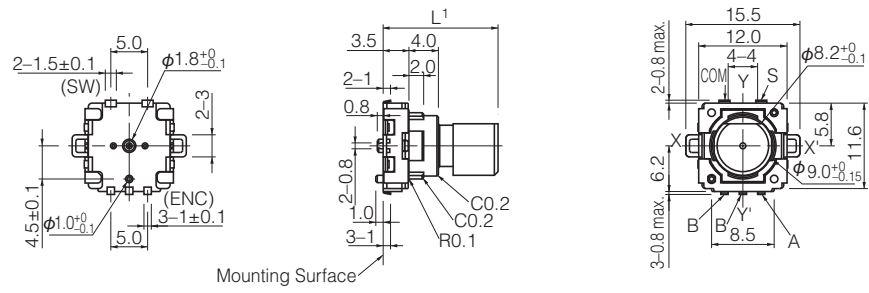
| Bushing length |        | L <sup>1</sup>        | (L <sup>2</sup> )     |
|----------------|--------|-----------------------|-----------------------|
| B              | 5.0 mm | 15.0 mm<br>to 17.0 mm | 11.5 mm<br>to 13.5 mm |
|                | 7.0 mm | 17.0 mm<br>to 20.0 mm | 13.5 mm<br>to 16.5 mm |

Shaft shape and dimension



**No. 2**

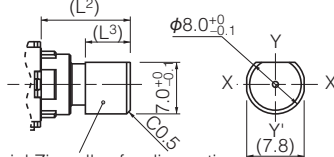
**EVEU**  
(Minimized Shaft Wobble Reflow Type)



General dimension tolerance : ± 0.5  
( ) dimensions are reference dimensions.

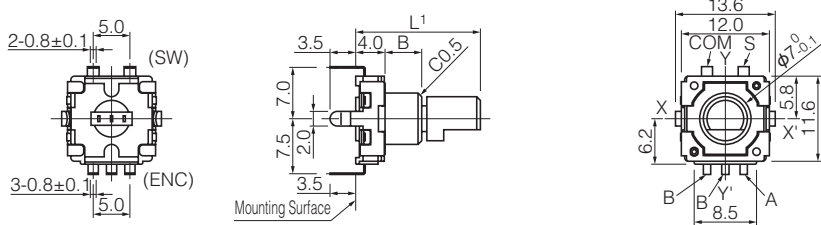
| L <sup>1</sup>        | (L <sup>2</sup> )     | (L <sup>3</sup> )    |
|-----------------------|-----------------------|----------------------|
| 16.0 mm<br>to 20.0 mm | 12.5 mm<br>to 16.5 mm | 6.5 mm<br>to 10.5 mm |

Material: Zinc alloy for die casting  
Shaft shape and dimension



**No. 3**

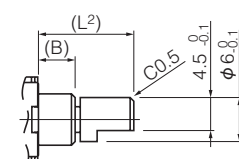
**EVEV**  
(Wave Soldering Type)



General dimension tolerance : ± 0.5  
( ) dimensions are reference dimensions.

| Bushing length |        | L <sup>1</sup>        | (L <sup>2</sup> )     |
|----------------|--------|-----------------------|-----------------------|
| B              | 5.0 mm | 15.0 mm<br>to 17.0 mm | 11.0 mm<br>to 13.0 mm |
|                | 7.0 mm | 17.0 mm<br>to 30.0 mm | 13.0 mm<br>to 26.0 mm |

Shaft shape and dimension



Design and specifications are each subject to change without notice. Ask factory for the current technical specifications before purchase and/or use.  
Should a safety concern arise regarding this product, please be sure to contact us immediately.

■ Dimensions in mm (not to scale)

No. 4

**EVEY**  
(Minimized Shaft Wobble  
Wave Soldering Type)

General dimension tolerance : ± 0.5  
( ) dimensions are reference dimensions.

| L <sup>1</sup>        | (L <sup>2</sup> )     | (L <sup>3</sup> )    |
|-----------------------|-----------------------|----------------------|
| 16.0 mm<br>to 20.0 mm | 12.0 mm<br>to 16.0 mm | 6.0 mm<br>to 10.0 mm |

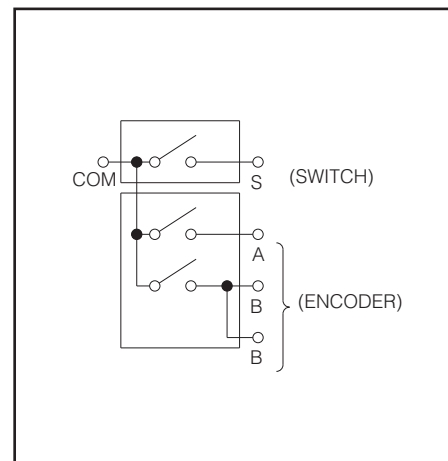
Material: Zinc alloy for die casting

■ PWB mounting hole for reference

(Reflow Type)

(Wave Soldering Type)

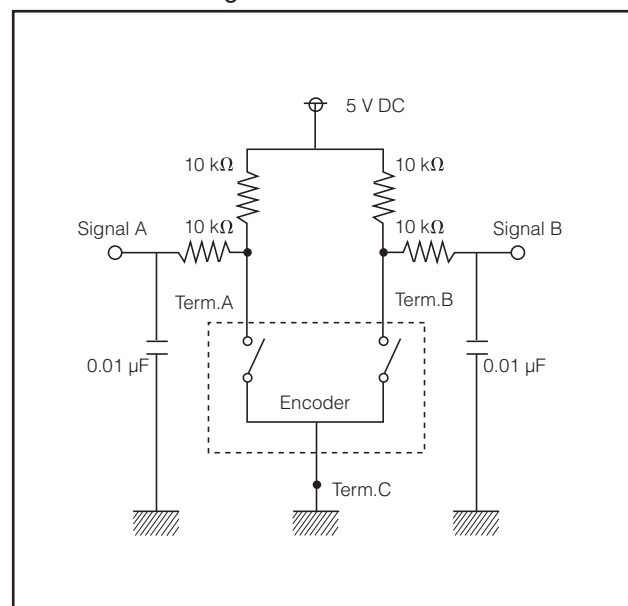
■ Encoder / Switch Circuit



■ Phase Difference



■ Test Circuit Diagram



Design and specifications are each subject to change without notice. Ask factory for the current technical specifications before purchase and/or use.  
Should a safety concern arise regarding this product, please be sure to contact us immediately.

# Mouser Electronics

Authorized Distributor

Click to View Pricing, Inventory, Delivery & Lifecycle Information:

## Panasonic:

[EVE-VCGJL016B](#) [EVE-Y75VL215B](#) [EVE-Y74VL215B](#) [EVE-UPCAH516B](#) [EVE-YBCAJ016B](#) [EVE-YPCAJ016B](#)  
[EVE-UBCAH516B](#) [EVE-UPCAH508B](#) [EVE-UBCAH508B](#) [EVE-YBCAJ008B](#) [EVE-YPCAJ008B](#) [EVE-YPCAJ008B](#)  
[EVE-YPCAJ016B](#) [EVE-VGHFL816B](#) [EVE-YBCAJ008B](#) [EVE-RLCJL008B](#) [EVE-YBCAJ016B](#) [EVE-YFCCL516B](#) [EVE-](#)  
[RQHPK016B](#) [EVE-U22AH512B](#)



Компания «ЭлектроПласт» предлагает заключение долгосрочных отношений при поставках импортных электронных компонентов на взаимовыгодных условиях!

Наши преимущества:

- Оперативные поставки широкого спектра электронных компонентов отечественного и импортного производства напрямую от производителей и с крупнейших мировых складов;
- Поставка более 17-ти миллионов наименований электронных компонентов;
- Поставка сложных, дефицитных, либо снятых с производства позиций;
- Оперативные сроки поставки под заказ (от 5 рабочих дней);
- Экспресс доставка в любую точку России;
- Техническая поддержка проекта, помощь в подборе аналогов, поставка прототипов;
- Система менеджмента качества сертифицирована по Международному стандарту ISO 9001;
- Лицензия ФСБ на осуществление работ с использованием сведений, составляющих государственную тайну;
- Поставка специализированных компонентов (Xilinx, Altera, Analog Devices, Intersil, Interpoint, Microsemi, Aeroflex, Peregrine, Syfer, Eurofarad, Texas Instrument, Miteq, Cobham, E2V, MA-COM, Hittite, Mini-Circuits, General Dynamics и др.);

Помимо этого, одним из направлений компании «ЭлектроПласт» является направление «Источники питания». Мы предлагаем Вам помощь Конструкторского отдела:

- Подбор оптимального решения, техническое обоснование при выборе компонента;
- Подбор аналогов;
- Консультации по применению компонента;
- Поставка образцов и прототипов;
- Техническая поддержка проекта;
- Защита от снятия компонента с производства.



#### Как с нами связаться

**Телефон:** 8 (812) 309 58 32 (многоканальный)

**Факс:** 8 (812) 320-02-42

**Электронная почта:** [org@eplast1.ru](mailto:org@eplast1.ru)

**Адрес:** 198099, г. Санкт-Петербург, ул. Калинина, дом 2, корпус 4, литера А.