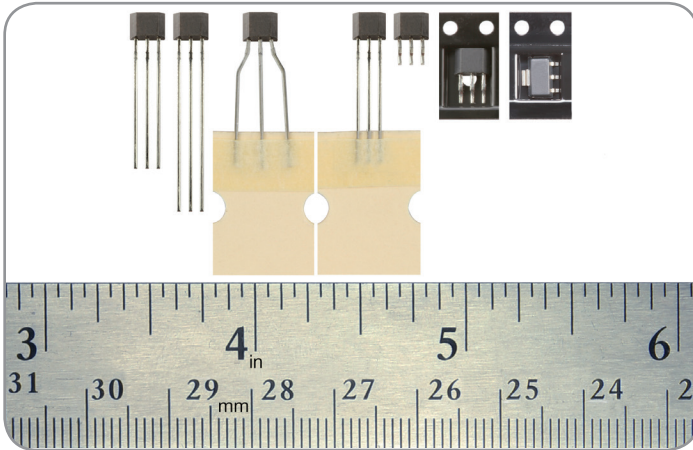


## Bipolar, Latching, and Unipolar Hall-effect Digital Position Sensor ICs: SS400 Series, SS500 Series

**32320997**

Issue B

Datasheet



### DESCRIPTION

The SS400 Series and SS500 Series are small and versatile digital Hall-effect devices that are operated by the magnetic field from a permanent magnet or an electromagnet, and are designed to respond to alternating North and South poles, or to a South pole only. They are available in bipolar, latching or unipolar magnetics. On-board regulation provides stable operation over a 3.8 Vdc to 30 Vdc supply voltage range. These sensors are capable of continuous 20 mA sinking output and may be cycled as high as 50 mA max. The 3.8 V capability allows for use in many potential low voltage applications. The digital, open collector sinking-type output is easily interfaced with a wide variety of electronic circuits. To provide reliable products and consistent quality, the SS400 Series products are tested at both 25°C [75°F] and 125°C [257°F]. All catalog listings are qualified for operation up to 150°C [302°F]. For design flexibility, these product are available in the following package styles:

- **SS400 Series:** Flat TO-92-style:
  - **SS4XX:** Straight standard leads, bulk pack
  - **SS4XX-L:** Straight long leads, bulk pack
  - **SS4XX-T2:** Formed leads, ammopack tape-in-box
  - **SS4XX-T3:** Straight standard leads, ammopack tape-in-box
  - **SS4XX-S:** Surface mount, bulk pack
  - **SS4XX-SP:** Surface mount, pocket tape and reel
- **SS500 Series:** SOT-89B, pocket tape and reel

### FEATURES

- Quad Hall IC design minimizes mechanical stress effects
- Temperature-compensated magnetics help provide stable operation over a wide temperature range of -40°C to 150°C [-40°F to 302°F]
- Broad, inclusive supply voltage capability from 3.8 Vdc to 30 Vdc for application flexibility
- Digital, open collector sinking output for easy interfacing with a variety of common electronic circuits
- High sensitivity versions available for potential applications requiring high accuracy or wide gaps
- Bipolar, latching or unipolar magnetics

### POTENTIAL APPLICATIONS

- **Industrial:** Speed and RPM (revolutions per minute) sensing, tachometer, counter pickup, flow-rate sensing, brushless dc (direct current) motor commutation, motor and fan control, robotics control
- **Transportation:** Speed and RPM (revolutions per minute) sensing, tachometer, counter pickup, motor and fan control, electric window lift, convertible roof position
- **Medical:** Motor assemblies, medication dispensing control

### PORTFOLIO

Other bipolar, latching and unipolar Hall-effect digital sensor ICs include:

- SS360NT, SS360ST, SS360ST-10K, SS460S, SS460S-T2
- VF360NT, VF360ST, VF460S
- SS361RT, SS461R
- SS361CT, SS461C
- SS340RT, SS440R Series
- SS360PT, SS460P, SS460P-T2
- SS311PT, SS411P

# Bipolar, Latching, or Unipolar Hall-effect Digital Sensor ICs: SS400 Series, SS500 Series

**Table 1. Performance Specifications (Applies to both SS400 series and 500 Series, unless otherwise noted.)**

| Characteristic                        | Condition  | Min.     | Typ. | Max.     | Unit    |
|---------------------------------------|--|----------|------|----------|---------|
| Supply voltage ( $V_s$ ) <sup>1</sup> | —  | 3.8      | —    | 30       | Vdc     |
| Rated sinking current ( $I_{sink}$ )  | —  | —        | 20   | —        | mA      |
| Current consumption:                  |  |          |      |          |         |
| on:                                   |  |          |      |          |         |
| SS400 Series                          | $V_s = 30 \text{ Vdc}$ , $I_{sink} = 20 \text{ mA}$ , $-40^\circ\text{C} < T < 150^\circ\text{C}$ , B > operate max. | —        | —    | 10.0     | mA      |
| SS500 Series                          | $V_s = 30 \text{ Vdc}$ , $-40^\circ\text{C} < T < 150^\circ\text{C}$ , B > operate max.                              | —        | —    | 10.0     |         |
| off:                                  |  |          |      |          |         |
| SS400 Series                          | $V_s = 30 \text{ Vdc}$ , $I_{sink} = 20 \text{ mA}$ , $-40^\circ\text{C} < T < 150^\circ\text{C}$ , B > operate max. | —        | —    | 9.0      | mA      |
| SS500 Series                          | $V_s = 30 \text{ Vdc}$ , $I_{sink} = 20 \text{ mA}$ , $-40^\circ\text{C} < T < 150^\circ\text{C}$ , B > release min. | —        | —    | 10.0     |         |
| $V_{sat}$ :                           |  |          |      |          |         |
| SS400 Series                          | $V_s = 3.8 \text{ Vdc}$ , $I_{sink} = 20 \text{ mA}$ , B > operate max.  | —        | —    | 0.4      | V       |
| SS500 Series                          | $V_s = 3.8 \text{ Vdc}$ , B > operate max.   | —        | —    | 0.4      |         |
| Output leakage current:               |  |          |      |          |         |
| SS400 Series                          | $V_s = 24 \text{ V}$ , $V_{out} = 30 \text{ V}$ , B < release min.   | —        | —    | 0.4      | uA      |
| SS500 Series                          | —  | —        | —    | 10.0     |         |
| Output switching time:                |  |          |      |          |         |
| rise                                  | $V_s = 12 \text{ V}$ , $R_L = 1.6 \text{ k}\Omega$ , $C_L = 20 \text{ pF}$ , $T = 25^\circ\text{C}$ [77°F]           | —        | —    | 1.5      | us      |
| fall                                  | $V_s = 12 \text{ V}$ , $R_L = 1.6 \text{ k}\Omega$ , $C_L = 20 \text{ pF}$ , $T = 25^\circ\text{C}$ [77°F]           | —        | —    | 1.5      |         |
| Operating temperature                 | —  | -40[-40] | —    | 150[302] | °C [°F] |
| Storage temperature                   | —  | -50[-58] | —    | 150[302] | °C [°F] |
| Soldering temp. and time:             |  |          |      |          |         |
| SS400 Series                          | wave soldering process: $250^\circ\text{C}$ to $260^\circ\text{C}$ [482°F to 500°F] for 3 s max.                     |          |      |          |         |
| SS500 Series                          | infrared reflow process: peak temperature $245^\circ\text{C}$ [473°F] for 10 s max.                                  |          |      |          |         |

<sup>1</sup>For supply voltages above 24 Vdc, a capacitor may be needed between the output and supply pins to ensure proper operation.

## NOTICE

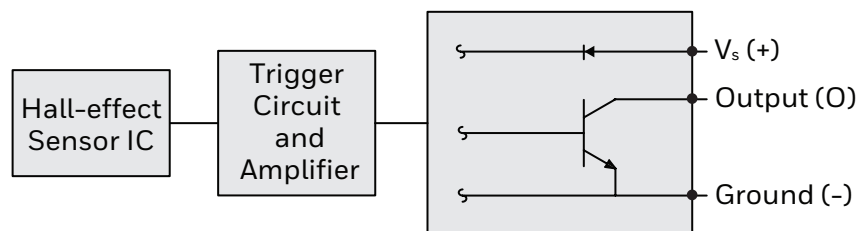
These Hall-effect sensor ICs may have an initial output in either the ON or OFF state if powered up with an applied magnetic field in the differential zone (applied magnetic field  $>B_{rp}$  and  $<B_{op}$ ). Honeywell recommends allowing 10 us after supply voltage has reached 5 V for the output voltage to stabilize.

## NOTICE

The magnetic field strength (Gauss) required to cause the switch to change state (operate and release) will be as specified in the magnetic characteristics. To test the switch against the specified limits, the switch must be placed in a uniform magnetic field.



**Figure 1. Circuit Diagram**



# Bipolar, Latching, or Unipolar Hall-effect Digital Sensor ICs:

SS400 Series, SS500 Series

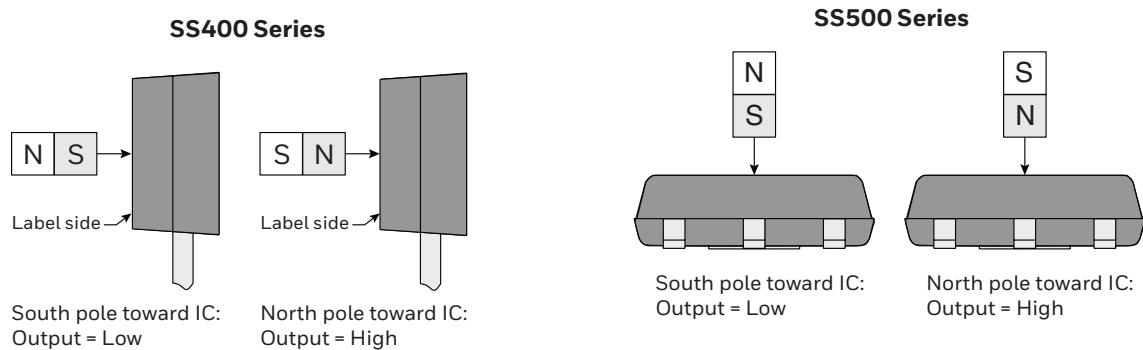
**Table 2. Absolute Maximum Specifications**

| Characteristic   | Min. | Typ. | Max.     | Unit  |
|--|------|------|----------|-------|
| Supply voltage ( $V_s$ )                                   | -1   | —    | 30       | V     |
| Applied output voltage ( $V_{out}$ ):<br>SS400 Series      | -0.5 | —    | 30       | V     |
| SS500 Series (off)   | —    | —    | 30       |       |
| Output current ( $I_{sink}$ ):<br>$V_s = -1$ Vdc to 24 Vdc | —    | —    | 50       | mA    |
| $V_s = 24$ Vdc to 25 Vdc                                   | —    | —    | 37       |       |
| $V_s = 25$ Vdc to 26 Vdc                                   | —    | —    | 33       |       |
| $V_s = 26$ Vdc to 27 Vdc                                   | —    | —    | 28       |       |
| $V_s = 27$ Vdc to 28 Vdc                                   | —    | —    | 24       |       |
| $V_s = 28$ Vdc to 29 Vdc                                   | —    | —    | 19       |       |
| $V_s = 29$ Vdc to 30 Vdc                                   | —    | —    | 15       |       |
| Magnetic flux  | —    | —    | no limit | Gauss |

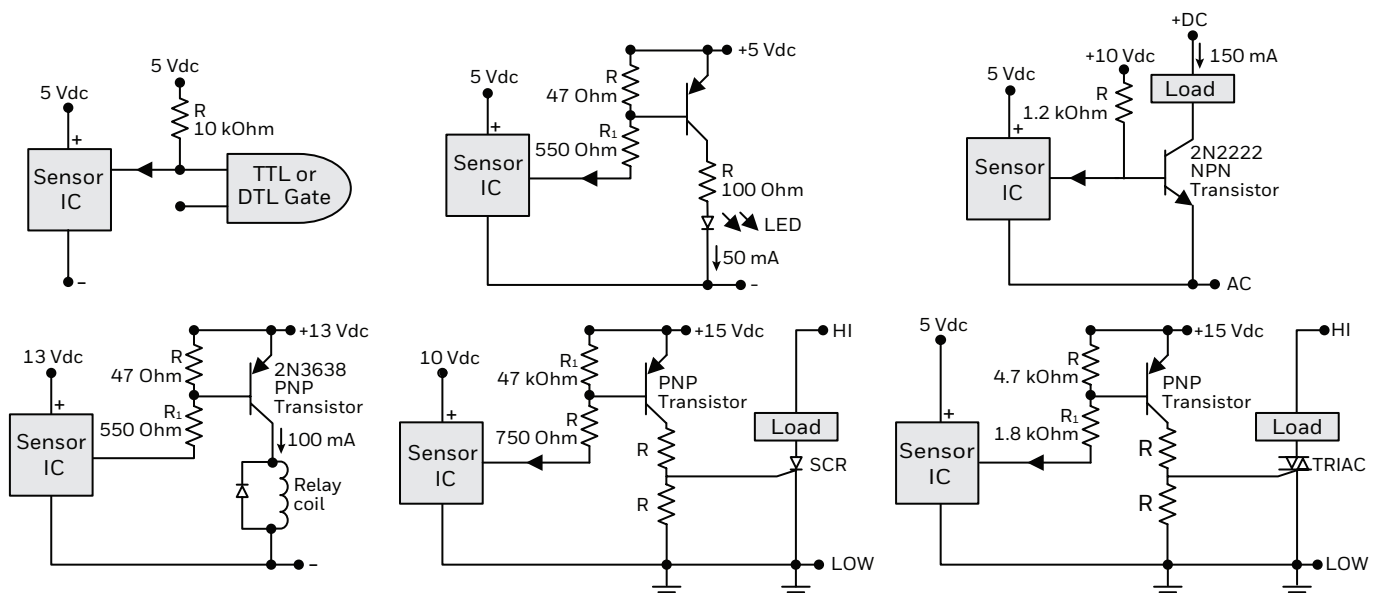
## NOTICE

Absolute maximum ratings are the extreme limits the device will momentarily withstand without damage to the device. Electrical and mechanical characteristics are not guaranteed if the rated voltage and/or currents are exceeded, nor will the device necessarily operate at absolute maximum ratings.

**Figure 2. Magnetic Activation**



**Figure 3. Circuit Diagrams**



# Bipolar, Latching, or Unipolar Hall-effect Digital Sensor ICs:

SS400 Series, SS500 Series

**Table 3. Magnetic Specifications**

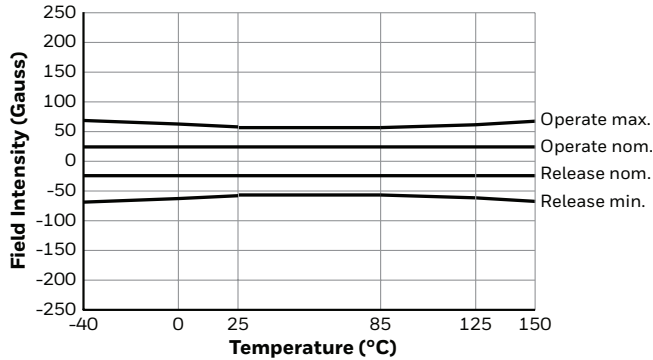
| Temperature                | Operating Characteristic | Magnetic Characteristic (Gauss) |         |       |         |          |         |       |         |       |         |          |         |       |         |
|----------------------------|--------------------------|---------------------------------|---------|-------|---------|----------|---------|-------|---------|-------|---------|----------|---------|-------|---------|
|                            |                          | Bipolar                         |         |       |         | Unipolar |         |       |         |       |         | Latching |         |       |         |
|                            |                          | SS411                           | SS511AT | SS413 | SS513AT | SS441    | SS541AT | SS443 | SS543AT | SS449 | SS549AT | SS461    | SS561AT | SS466 | SS566AT |
| -40°C<br>[-40°F]           | <b>operate:</b>          |                                 |         |       |         |          |         |       |         |       |         |          |         |       |         |
|                            | minimum                  | NS                              |         | NS    |         | 50       |         | 110   |         | 285   |         | 5        |         | 100   |         |
|                            | maximum                  | 70                              |         | 140   |         | 135      |         | 215   |         | 435   |         | 110      | –       | 200   |         |
|                            | <b>release:</b>          |                                 |         |       |         |          |         |       |         |       |         |          |         |       |         |
| minimum                    | -70                      |                                 | -140    |       | 20      |          | 80      |       | 210     |       | -110    |          | -200    |       |         |
| maximum                    | NS                       |                                 | NS      |       | 120     |          | 190     |       | 360     |       | -5      |          | -100    |       |         |
| <b>differential (min.)</b> | 15                       |                                 | 20      |       | 15      |          | 25      |       | 30      |       | 50      | 50       |         | 200   |         |
| 0°C<br>[0°F]               | <b>operate:</b>          |                                 |         |       |         |          |         |       |         |       |         |          |         |       |         |
|                            | minimum                  | NS                              |         | NS    |         | 53       |         | 110   |         | 305   |         | 5        |         | 100   |         |
|                            | maximum                  | 65                              |         | 140   |         | 117      |         | 190   |         | 400   |         | 90       |         | 185   |         |
|                            | <b>release:</b>          |                                 |         |       |         |          |         |       |         |       |         |          |         |       |         |
| minimum                    | -65                      |                                 | -140    |       | 20      |          | 80      |       | 230     |       | -90     |          | -185    |       |         |
| maximum                    | NS                       |                                 | NS      |       | 99      |          | 165     |       | 325     |       | -5      |          | -100    |       |         |
| <b>differential (min.)</b> | 15                       |                                 | 20      |       | 15      |          | 25      |       | 30      |       | 50      |          |         | 200   |         |
| 25°C<br>[77°F]             | <b>operate:</b>          |                                 |         |       |         |          |         |       |         |       |         |          |         |       |         |
|                            | minimum                  | NS                              |         | NS    |         | 55       |         | 110   |         | 310   |         | 10       |         | 100   |         |
|                            | maximum                  | 60                              |         | 140   |         | 115      |         | 180   |         | 390   |         | 85       |         | 180   |         |
|                            | <b>release:</b>          |                                 |         |       |         |          |         |       |         |       |         |          |         |       |         |
| minimum                    | -60                      |                                 | -140    |       | 20      |          | 75      |       | 235     |       | -85     |          | -180    |       |         |
| maximum                    | NS                       |                                 | NS      |       | 95      |          | 155     |       | 315     |       | -10     |          | -100    |       |         |
| <b>differential (min.)</b> | 15                       |                                 | 20      |       | 20      |          | 25      |       | 30      |       | 50      |          |         | 200   |         |
| 85°C<br>[185°F]            | <b>operate:</b>          |                                 |         |       |         |          |         |       |         |       |         |          |         |       |         |
|                            | minimum                  | NS                              |         | NS    |         | 45       |         | 90    |         | 290   |         | 10       |         | 95    |         |
|                            | maximum                  | 60                              |         | 140   |         | 120      |         | 180   |         | 400   | –       | 85       |         | 180   |         |
|                            | <b>release:</b>          |                                 |         |       |         |          |         |       |         |       |         |          |         |       |         |
| minimum                    | -60                      |                                 | -140    |       | 15      |          | 70      |       | 215     |       | 315     |          | -180    |       |         |
| maximum                    | NS                       |                                 | NS      |       | 105     |          | 165     |       | 325     | –     | -10     |          | -95     |       |         |
| <b>differential (min.)</b> | 12                       |                                 | 20      |       | 15      |          | 15      |       | 30      | 30    | 50      |          |         | 190   |         |
| 125°C<br>[257°F]           | <b>operate:</b>          |                                 |         |       |         |          |         |       |         |       |         |          |         |       |         |
|                            | minimum                  | NS                              |         | NS    |         | 40       |         | 80    |         | 270   |         | 5        |         | 80    |         |
|                            | maximum                  | 65                              |         | 140   |         | 123      |         | 190   |         | 410   |         | 100      |         | 180   |         |
|                            | <b>release:</b>          |                                 |         |       |         |          |         |       |         |       |         |          |         |       |         |
| minimum                    | -65                      |                                 | -140    |       | 15      |          | 60      |       | 200     |       | 215     |          | -180    |       |         |
| maximum                    | NS                       |                                 | NS      |       | 115     |          | 180     |       | 340     |       | 325     |          | -80     |       |         |
| <b>differential (min.)</b> | 12                       |                                 | 20      |       | 8       |          | 10      |       | 30      | 30    | 50      |          |         | 160   |         |
| 150°C<br>[302°F]           | <b>operate:</b>          |                                 |         |       |         |          |         |       |         |       |         |          |         |       |         |
|                            | minimum                  | NS                              |         | NS    |         | 35       |         | 65    |         | 260   |         | 5        |         | 70    |         |
|                            | maximum                  | 70                              |         | 140   |         | 125      |         | 200   |         | 420   |         | 110      |         | 185   |         |
|                            | <b>release:</b>          |                                 |         |       |         |          |         |       |         |       |         |          |         |       |         |
| minimum                    | -70                      |                                 | -140    |       | 10      |          | 55      |       | 185     |       | -110    |          | -185    |       |         |
| maximum                    | NS                       |                                 | NS      |       | 120     |          | 195     |       | 345     |       | -5      |          | -70     |       |         |
| <b>differential (min.)</b> | 10                       |                                 | 20      |       | 5       |          | 5       |       | 30      |       | 50      |          |         | 140   |         |

# Bipolar, Latching, or Unipolar Hall-effect Digital Sensor ICs:

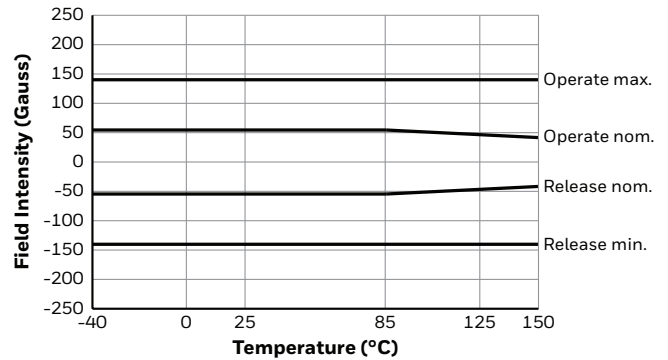
SS400 Series, SS500 Series

Figure 4. Operate and Release Point Performance Graphics

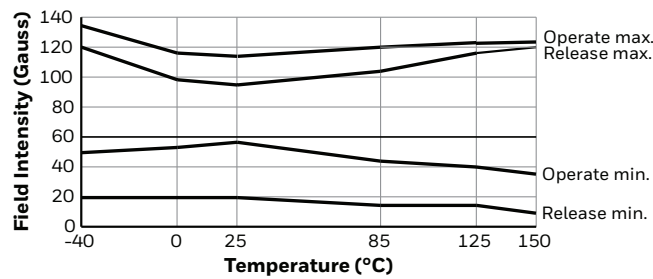
SS411/SS511AT



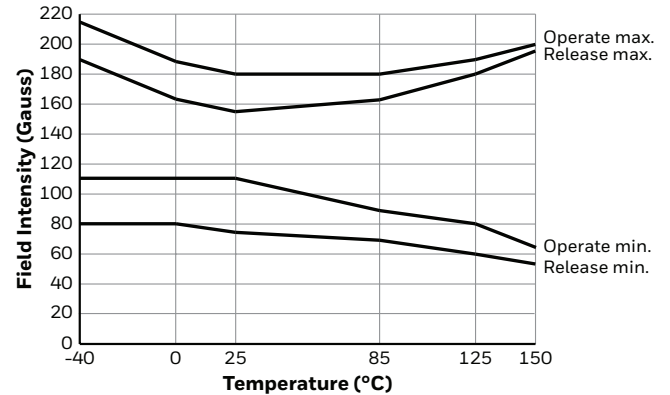
SS413/SS513AT



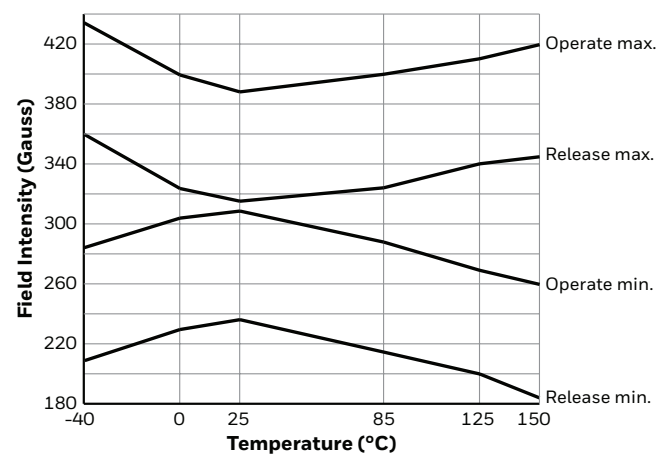
SS441/SS541AT



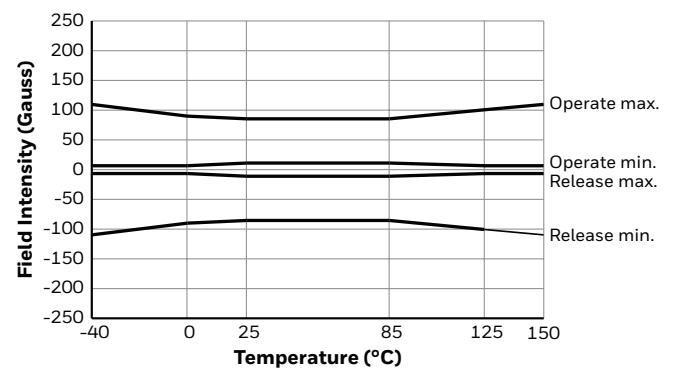
SS443/SS443AT



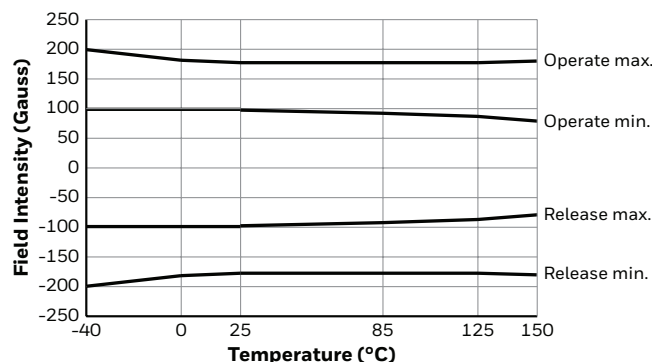
SS449/SS549AT



SS461/SS561AT



SS466/SS566AT

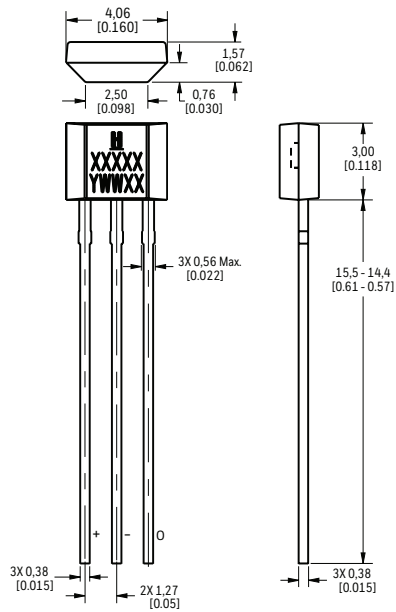


# Bipolar, Latching, or Unipolar Hall-effect Digital Sensor ICs:

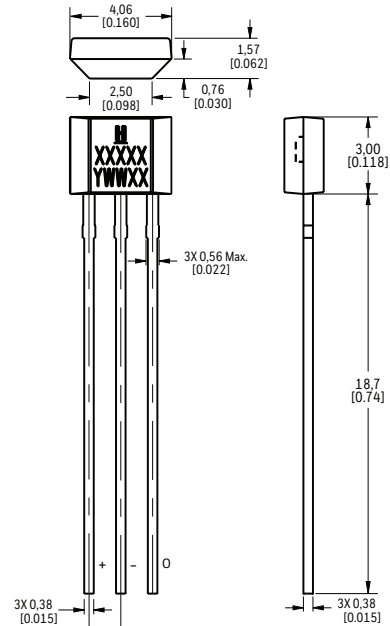
## SS400 Series, SS500 Series

Figure 5. SS400 Series Flat TO-92-Style Mounting and Dimensional Drawings (For reference only: mm/[in].)

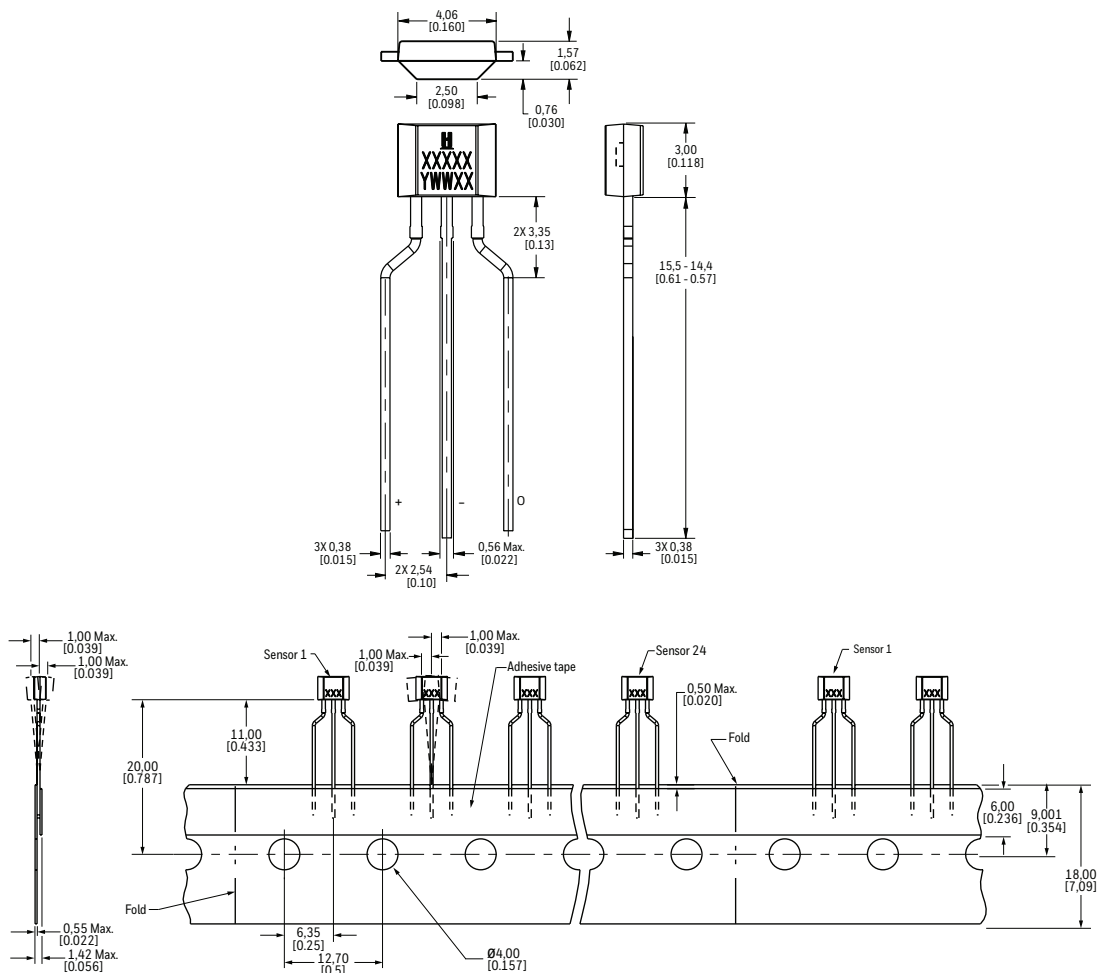
### SS4XX: Straight Standard Leads, Bulk Pack



### SS4XX-L: Straight Long Leads, Bulk Pack



### SS4XX-T2: Formed Leads, Ammopack Tape-in-Box

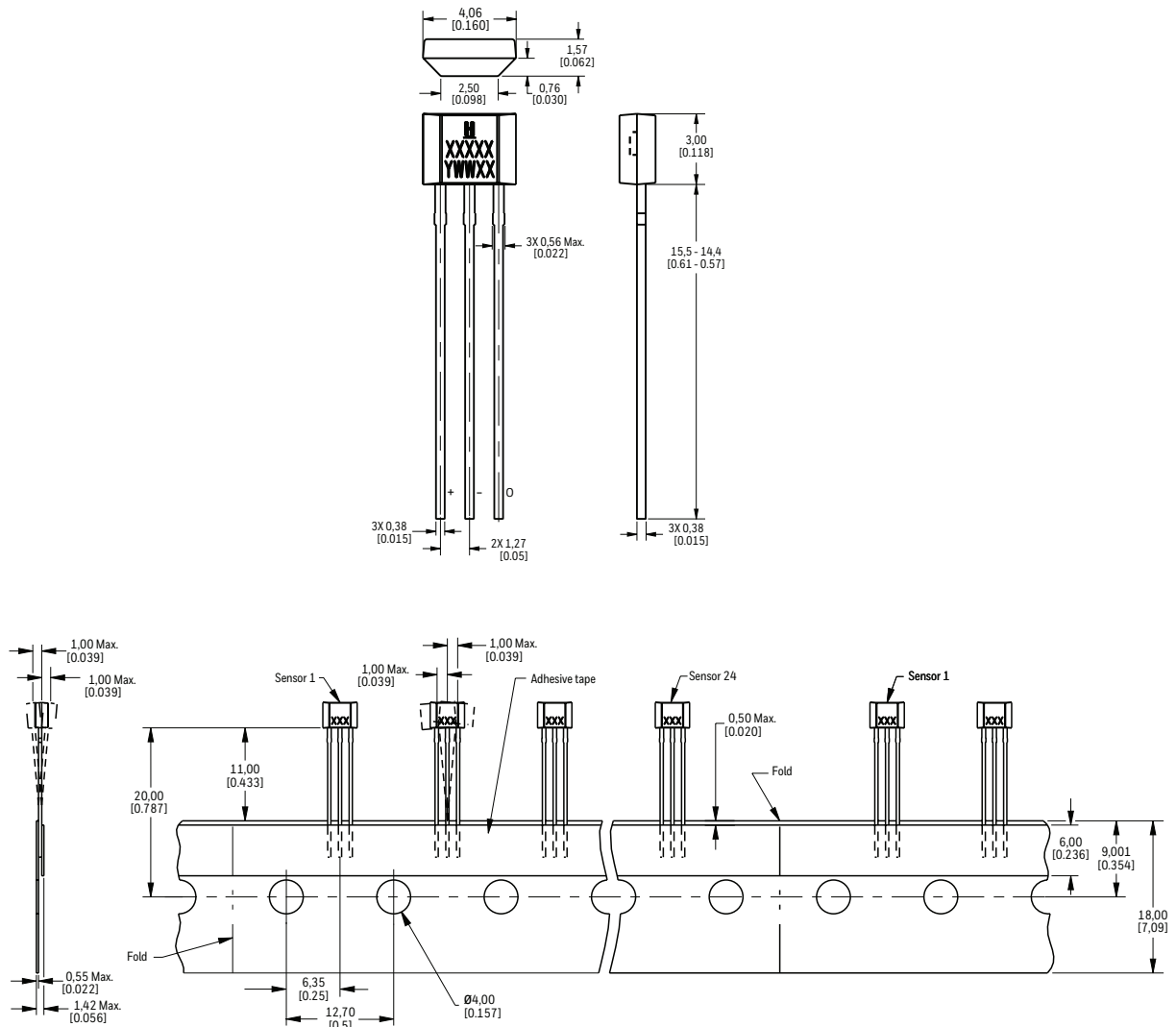


# Bipolar, Latching, or Unipolar Hall-effect Digital Sensor ICs:

SS400 Series, SS500 Series

Figure 5. SS400 Series Flat TO-92-Style Mounting and Dimensional Drawings (For reference only: mm/[in.] )

SS4XX-T3: Straight Standard Leads, Ammopack Tape-in-Box

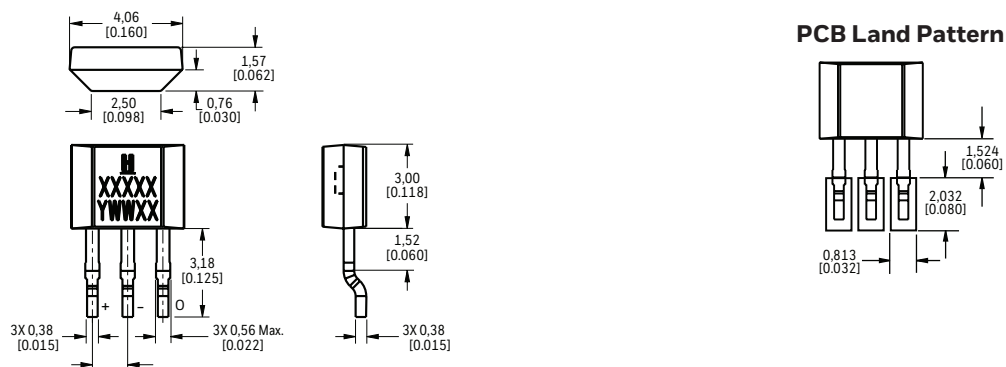


# Bipolar, Latching, or Unipolar Hall-effect Digital Sensor ICs:

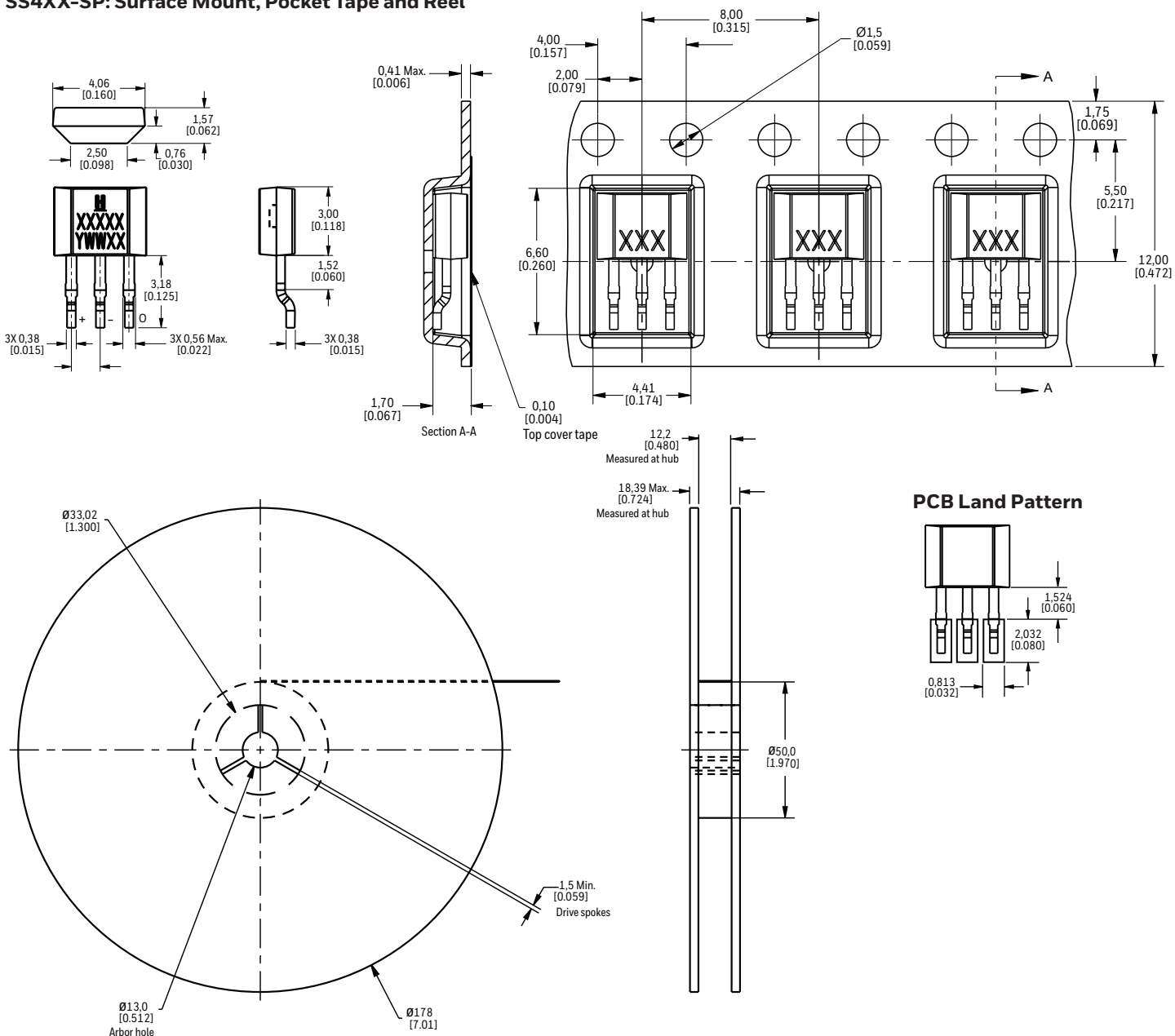
SS400 Series, SS500 Series

Figure 5. SS400 Series Flat TO-92-Style Mounting and Dimensional Drawings (continued)

## SS4XX-S: Surface Mount, Bulk Pack



## SS4XX-SP: Surface Mount, Pocket Tape and Reel



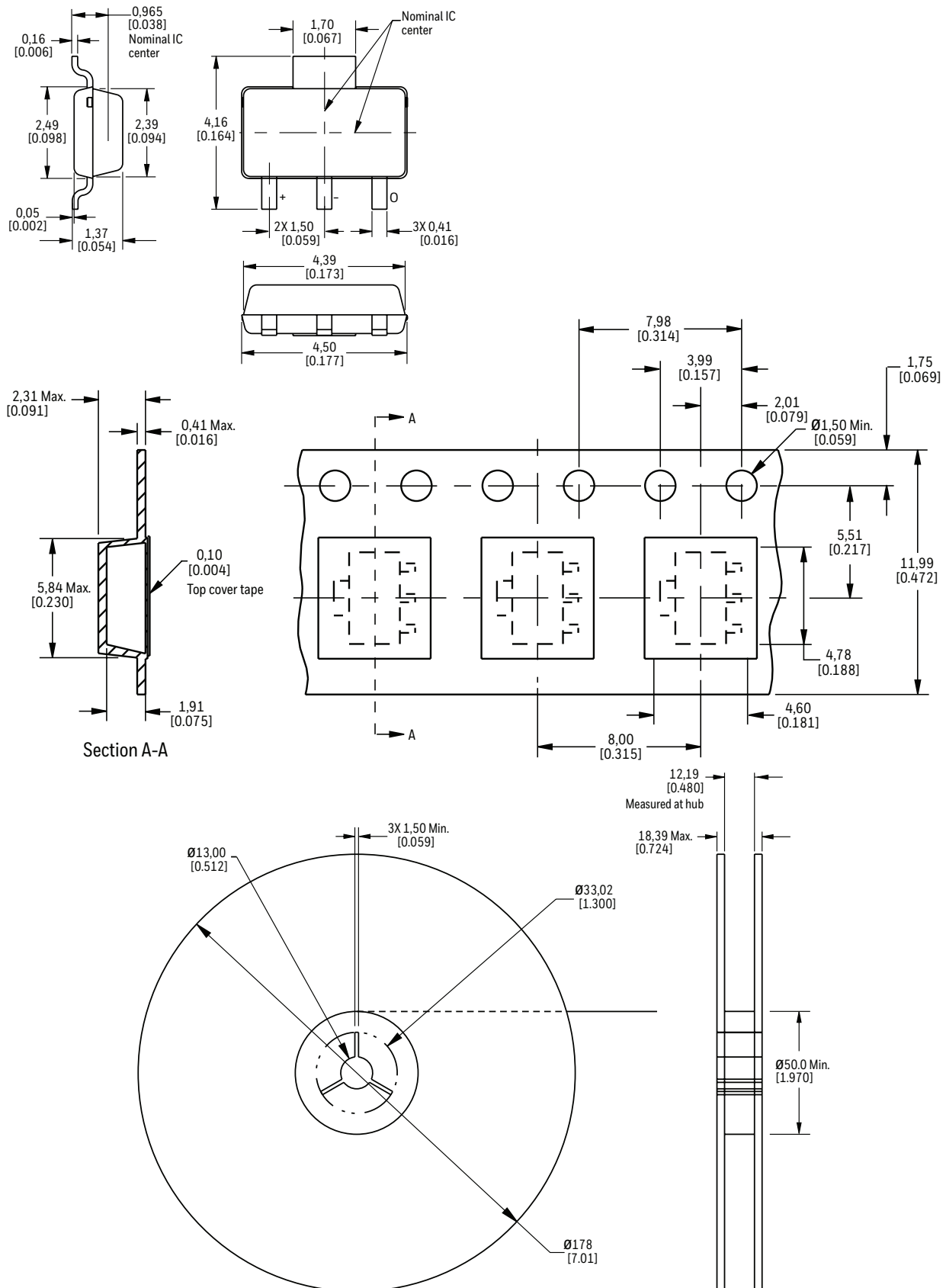


# Bipolar, Latching, or Unipolar Hall-effect Digital Sensor ICs:

SS400 Series, SS500 Series

Figure 6. SS500 Series Mounting and Dimensional Drawings (For reference only: mm/[in].)

## SOT-89B Sensor IC, Pocket Tape and Reel

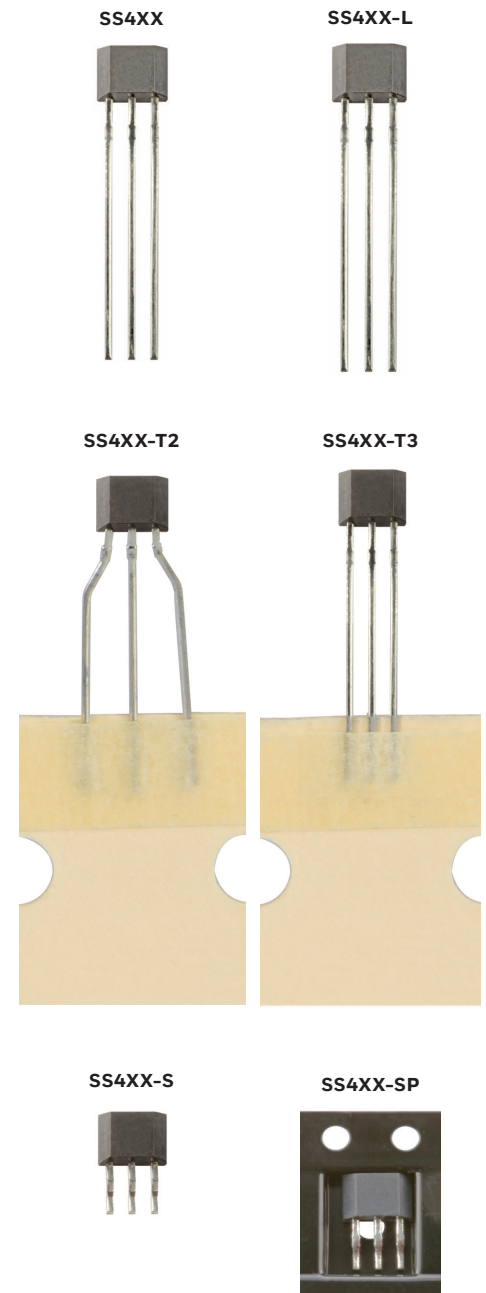


# Bipolar, Latching, or Unipolar Hall-effect Digital Sensor ICs:

SS400 Series, SS500 Series

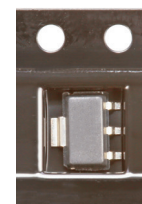
**Table 4. Order Guide for the SS400 Series (Flat TO-92-Style)**

| Catalog Listing  | Description |
|--|-------------|
| <b>SS4XX: Straight standard leads, bulk pack, 1000 units/bag</b>               |             |
| SS411A   | Bipolar     |
| SS413A   | Bipolar     |
| SS441A   | Unipolar    |
| SS443A   | Unipolar    |
| SS449A   | Unipolar    |
| SS461A   | Latching    |
| SS466A   | Latching    |
| <b>SS4XX-L: Straight long leads, bulk pack, 1000 units/bag</b>                 |             |
| SS411A-L   | Bipolar     |
| SS413A-L   | Bipolar     |
| SS441A-L   | Unipolar    |
| SS443A-L   | Unipolar    |
| SS449A-L   | Unipolar    |
| SS461A-L   | Latching    |
| <b>SS4XX-T2: Formed leads, ammpack tape-in-box, 5000 units/box</b>             |             |
| SS413A-T2  | Bipolar     |
| SS441A-T2  | Unipolar    |
| SS443A-T2  | Unipolar    |
| SS449A-T2  | Unipolar    |
| SS461A-T2  | Latching    |
| <b>SS4XX-T3: Straight standard leads, ammpack tape-in-box, 5000 units/box</b>  |             |
| SS411A-T3  | Bipolar     |
| SS413A-T3  | Bipolar     |
| SS441A-T3  | Unipolar    |
| SS443A-T3  | Unipolar    |
| SS449A-T3  | Unipolar    |
| SS461A-T3  | Latching    |
| <b>SS4XX-S: Surface mount, pocket tape and reel, bulk pack, 1000 units/bag</b> |             |
| SS411A-S   | Bipolar     |
| SS413A-S   | Bipolar     |
| SS441A-S   | Unipolar    |
| SS443A-S   | Unipolar    |
| SS449A-S   | Unipolar    |
| SS461A-S   | Latching    |
| <b>SS4XX-SP: Surface mount, pocket tape and reel, 1000 units/reel</b>          |             |
| SS411A-SP  | Bipolar     |
| SS413A-SP  | Bipolar     |
| SS441A-SP  | Unipolar    |
| SS443A-SP  | Unipolar    |
| SS449A-SP  | Unipolar    |
| SS461A-SP  | Latching    |



**Table 5. Order Guide for the SS500 Series (SOT-89B, Pocket Tape and Reel, 1000 Units/Reel)**

| Catalog Listing | Description |
|-----------------|-------------|
| SS511AT         | Bipolar     |
| SS513AT         | Bipolar     |
| SS541AT         | Unipolar    |
| SS543AT         | Unipolar    |
| SS549AT         | Unipolar    |
| SS561AT         | Latching    |
| SS566AT         | Latching    |



## ADDITIONAL INFORMATION

The following associated literature is available on the Honeywell web site at [sensing.honeywell.com](http://sensing.honeywell.com):

- Product Line Guide
- Product Range Guide
- Selection Guides
- Application-specific Information

### **⚠ WARNING** **PERSONAL INJURY**

DO NOT USE these products as safety or emergency stop devices or in any other application where failure of the product could result in personal injury.

**Failure to comply with these instructions could result in death or serious injury.**

### **⚠ WARNING** **MISUSE OF DOCUMENTATION**

- The information presented in this datasheet is for reference only. Do not use this document as a product installation guide.
- Complete installation, operation, and maintenance information is provided in the instructions supplied with each product.

**Failure to comply with these instructions could result in death or serious injury.**

### **Warranty/Remedy**

Honeywell warrants goods of its manufacture as being free of defective materials and faulty workmanship during the applicable warranty period. Honeywell's standard product warranty applies unless agreed to otherwise by Honeywell in writing; please refer to your order acknowledgment or consult your local sales office for specific warranty details. If warranted goods are returned to Honeywell during the period of coverage, Honeywell will repair or replace, at its option, without charge those items that Honeywell, in its sole discretion, finds defective.

**The foregoing is buyer's sole remedy and is in lieu of all other warranties, expressed or implied, including those of merchantability and fitness for a particular purpose. In no event shall Honeywell be liable for consequential, special, or indirect damages.**

While Honeywell may provide application assistance personally, through our literature and the Honeywell web site, it is buyer's sole responsibility to determine the suitability of the product in the application. Specifications may change without notice. The information we supply is believed to be accurate and reliable as of this writing. However, Honeywell assumes no responsibility for its use.

### **For more information**

Honeywell Sensing and Internet of Things services its customers through a worldwide network of sales offices and distributors. For application assistance, current specifications, pricing or the nearest Authorized Distributor, visit [sensing.honeywell.com](http://sensing.honeywell.com) or call:

Asia Pacific +65 6355-2828  
Europe +44 (0) 1698 481481  
USA/Canada +1-800-537-6945

### **Honeywell Sensing and Productivity Solutions**

9680 Old Bailes Road  
Fort Mill, SC 29707  
[honeywell.com](http://honeywell.com)

# Honeywell



Компания «ЭлектроПласт» предлагает заключение долгосрочных отношений при поставках импортных электронных компонентов на взаимовыгодных условиях!

Наши преимущества:

- Оперативные поставки широкого спектра электронных компонентов отечественного и импортного производства напрямую от производителей и с крупнейших мировых складов;
- Поставка более 17-ти миллионов наименований электронных компонентов;
- Поставка сложных, дефицитных, либо снятых с производства позиций;
- Оперативные сроки поставки под заказ (от 5 рабочих дней);
- Экспресс доставка в любую точку России;
- Техническая поддержка проекта, помощь в подборе аналогов, поставка прототипов;
- Система менеджмента качества сертифицирована по Международному стандарту ISO 9001;
- Лицензия ФСБ на осуществление работ с использованием сведений, составляющих государственную тайну;
- Поставка специализированных компонентов (Xilinx, Altera, Analog Devices, Intersil, Interpoint, Microsemi, Aeroflex, Peregrine, Syfer, Eurofarad, Texas Instrument, Miteq, Cobham, E2V, MA-COM, Hittite, Mini-Circuits, General Dynamics и др.);

Помимо этого, одним из направлений компании «ЭлектроПласт» является направление «Источники питания». Мы предлагаем Вам помощь Конструкторского отдела:

- Подбор оптимального решения, техническое обоснование при выборе компонента;
- Подбор аналогов;
- Консультации по применению компонента;
- Поставка образцов и прототипов;
- Техническая поддержка проекта;
- Защита от снятия компонента с производства.



#### Как с нами связаться

**Телефон:** 8 (812) 309 58 32 (многоканальный)

**Факс:** 8 (812) 320-02-42

**Электронная почта:** [org@eplast1.ru](mailto:org@eplast1.ru)

**Адрес:** 198099, г. Санкт-Петербург, ул. Калинина, дом 2, корпус 4, литера А.