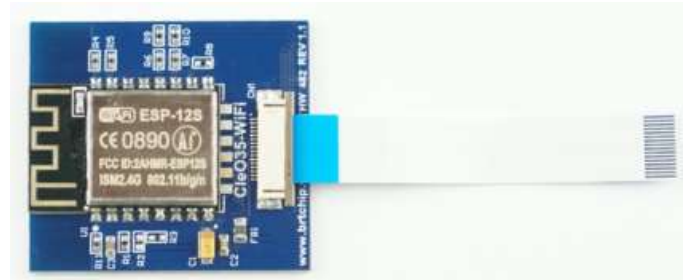


# Bridgetek Pte Ltd

## Datasheet

### CleO35-WIFI Module



## 1 Introduction

The CleO35-WIFI module is a Wi-Fi accessory for the *CleO* series – the smart TFT display for Arduino. Designed with an ESP-12S Wi-Fi module from Ai-thinker using core processor ESP8266, the ESP8266 is among the most integrated Wi-Fi chips in the industry. Measuring just 5mm X 5mm, it requires minimal external circuitry and integrates a 32-bit Tensilica MCU, digital peripheral interface, antenna switch, RF balun, power amplifier, low noise receive amplifier, filters and power management modules all in one small package.

The CleO35-WIFI module comes with a standard 16 pin 0.5mm pitch FFC cable, suitable for connecting directly to CleO35 modules or via the CleO\_IO Shield to CleO50 modules enabling wireless communications to the system.

As a plug in accessory to CleO it extends the CleO modules capabilities to include wireless monitor and control for smart devices around the home.

### 1.1 Features

The CleO35-WIFI consists of ESP-12S WIFI module developed by Ai-thinker using an ESP8266. For the full list of ESP8266's features, refer to the [ESP8266 Datasheet](#). In addition, CleO35-WIFI has the following features:

- Supports standard IEEE802.11 b/g/n
- Integrated low power 32-bit MCU
- Wi-Fi 2.4GHz, Support WPA/WPA2
- Support STA/AP/STA+AP operation mode
- +20dBm output power in 802.11b mode
- On board PCB antenna
- Compatible with Bridgetek CleO35
- 16 Pin 0.5mm Pitch FFC Flex interface

Neither the whole nor any part of the information contained in, or the product described in this manual, may be adapted or reproduced in any material or electronic form without the prior written consent of the copyright holder. This product and its documentation are supplied on an as-is basis and no warranty as to their suitability for any particular purpose is either made or implied. Bridgetek Pte Ltd will not accept any claim for damages howsoever arising as a result of use or failure of this product. Your statutory rights are not affected. This product or any variant of it is not intended for use in any medical appliance, device or system in which the failure of the product might reasonably be expected to result in personal injury. This document provides preliminary information that may be subject to change without notice. No freedom to use patents or other intellectual property rights is implied by the publication of this document. Bridgetek Pte Ltd, 178 Paya Lebar Road, #07-03, Singapore 409030. Singapore Registered Company Number: 201542387H

## 2 Ordering Information

<b>Part No.</b>	<b>Description</b>
CleO35-WiFi1	Wi-Fi accessory, built-in ESP-12S Wi-Fi module with 16pin 0.5mm pitch FFC flex interface

## 3 Program Support

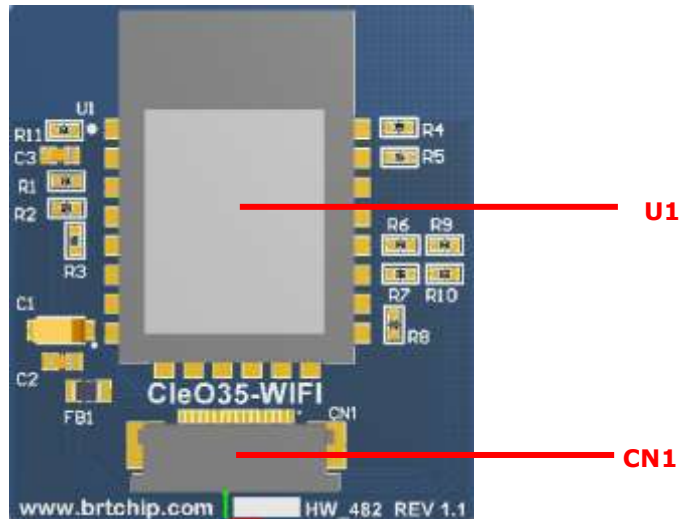
Demo applications are provided for CleO Wi-Fi modules by Bridgetek. Visit Bridgetek's website <http://brtchip.com/m-cleo/> for more information.

## **Table of Contents**

<b>1</b>	<b>Introduction .....</b>	<b>1</b>
1.1	<b>Features.....</b>	<b>1</b>
<b>2</b>	<b>Ordering Information .....</b>	<b>2</b>
<b>3</b>	<b>Program Support.....</b>	<b>2</b>
<b>4</b>	<b>Pin Out and Signal Description .....</b>	<b>4</b>
4.1	<b>Module Description .....</b>	<b>4</b>
4.2	<b>Module Interface Signal Description .....</b>	<b>4</b>
<b>5</b>	<b>Device Major Parameters .....</b>	<b>6</b>
5.1	<b>Parameters .....</b>	<b>6</b>
<b>6</b>	<b>Board Schematics.....</b>	<b>7</b>
<b>7</b>	<b>Mechanical Dimensions .....</b>	<b>8</b>
<b>8</b>	<b>Contact Information.....</b>	<b>9</b>
	<b>Appendix A – References .....</b>	<b>10</b>
	Document References .....	10
	Acronyms and Abbreviations .....	10
	<b>Appendix B - List of Figures and Tables .....</b>	<b>11</b>
	List of Tables.....	11
	List of Figures .....	11
	<b>Appendix C – Revision History .....</b>	<b>12</b>

## 4 Pin Out and Signal Description

### 4.1 Module Description



**Figure 1 – CleO35-WIFI Top View**

No	Feature	Reference Designator
1	ESP-12S WIFI Module	U1
2	16 pin 0.5mm pitch FFC Connector	CN1

**Table 1 - Module Feature Description**

### 4.2 Module Interface Signal Description

The pin description of **CN1** is given in **Table 2**.

Pin No	Pin Name	Type	Description
1	WIFI_RST	Input	Reset Wi-Fi module (Active low signal)
2	WIFI_EN	Input	Enable Wi-Fi module ('1' to enable module)
3	WIFI_CFG0	I/O	GPIO0
4	-	NC	No connection
5	VDD_3V3	Power	3V3 Supply
6	GND	Ground	Power ground
7	-	NC	No connection
8	-	NC	No connection
9	WIFI_TXD	Output	UART TXD
10	WIFI_RXD	Input	UART RXD

---

11	VDD_3V3	Power	3V3 Supply
12	GND	Ground	Power ground
13	-	NC	No connection
14	-	NC	No connection
15	-	NC	No connection
16	-	NC	No connection

**Table 2 - CN1 Pin Description**

Note: GPIO 0 is configurable which can determines the booting mode

'0' : boot from UART

'1' : boot from flash boot

## 5 Device Major Parameters

### 5.1 Parameters

Categories	Items	Values
WiFi parameters	Wi-Fi Protocols	802.11 b/g/n
	Frequency Range	2.4GHz -2.5GHz (2400M-2483.5M)
Hardware Parameters	Operating Voltage	3.3V
	Operating Current	80mA (Average)
	Operating Temperature Range	-40 °C ~ 125 °C
	Ambient Temperature Range	Normal Temperature
	External Interface	N/A
Software Parameters	Wi-Fi Mode	Station/SoftAP/SoftAP+Station
	Security	WPA/WPA2
	Network Protocols	IPv4,TCP/UDP/HTTP/FTP
	User Configuration	AT Instruction Set, Cloud Server, Android/iOS App
	Firmware Upgrade	UART Download/OTA(via network)/download and write firmware via host

**Table 3 - Parameters**

Parameters	Min	Typical	Max	Unit
Frequency Range	2.4		2.4825	GHz
Impedance		50		Ohm

**Table 4 – Antenna Parameters**

## 6 Board Schematics

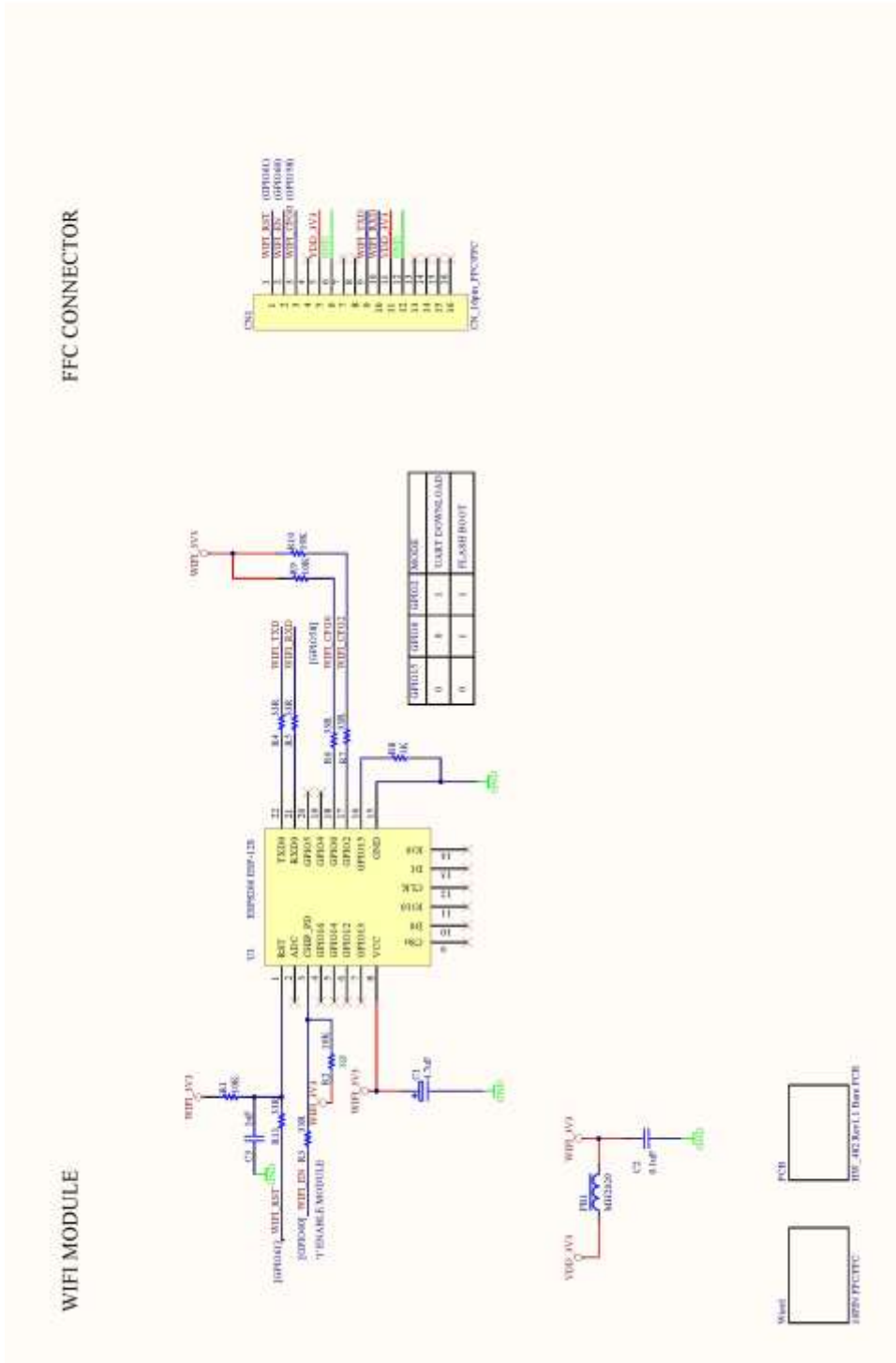
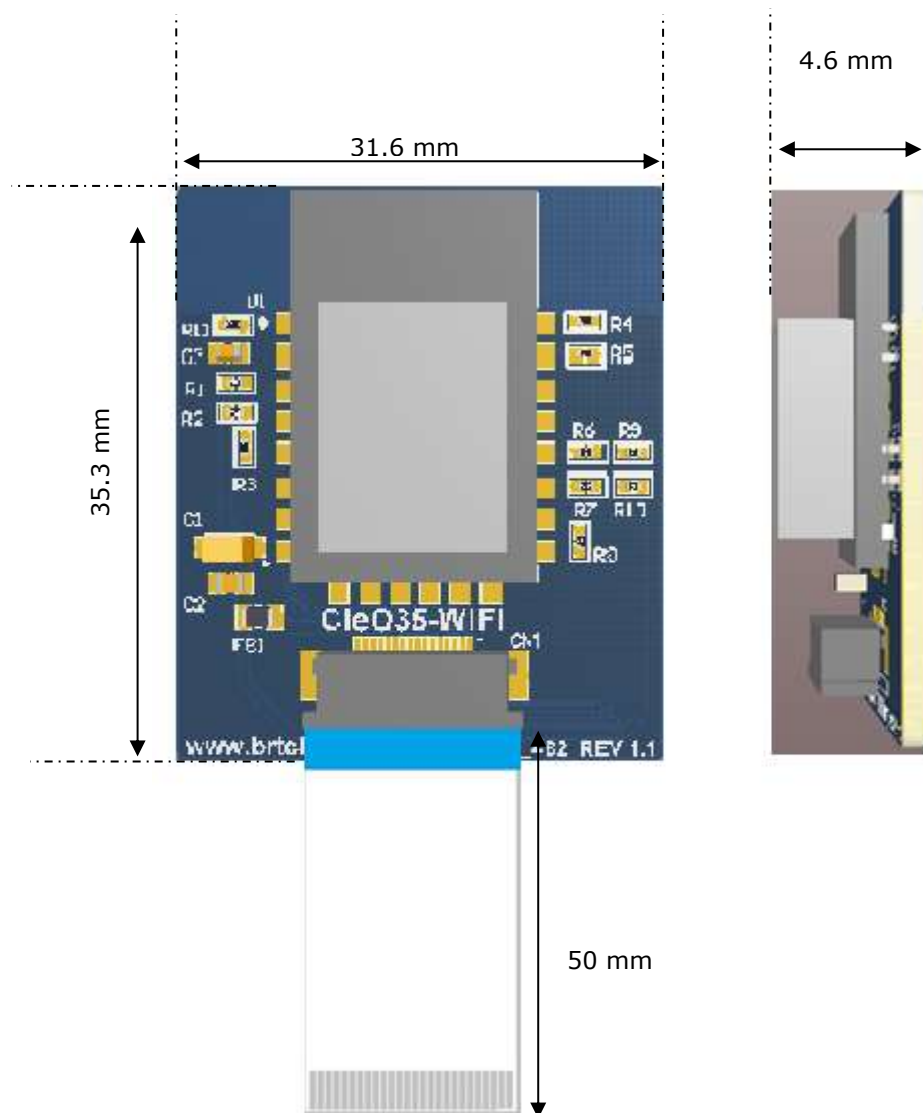


Figure 2 - Sheet 1 – Cle035-WIFI Board

## 7 Mechanical Dimensions



**Figure 3 – CleO35-WIFI Module Dimensions**



## 8 Contact Information

### Head Quarters – Singapore

Bridgetek Pte Ltd  
178 Paya Lebar Road, #07-03  
Singapore 409030  
Tel: +65 6547 4827  
Fax: +65 6841 6071

E-mail (Sales) [sales.apac@brtchip.com](mailto:sales.apac@brtchip.com)  
E-mail (Support) [support.apac@brtchip.com](mailto:support.apac@brtchip.com)

### Branch Office – Taipei, Taiwan

Bridgetek Pte Ltd, Taiwan Branch  
2 Floor, No. 516, Sec. 1, Nei Hu Road, Nei Hu  
District  
Taipei 114  
Taiwan, R.O.C.  
Tel: +886 (2) 8797 5691  
Fax: +886 (2) 8751 9737

E-mail (Sales) [sales.apac@brtchip.com](mailto:sales.apac@brtchip.com)  
E-mail (Support) [support.apac@brtchip.com](mailto:support.apac@brtchip.com)

### Branch Office - Glasgow, United Kingdom

Bridgetek Pte. Ltd.  
Unit 1, 2 Seaward Place, Centurion Business Park  
Glasgow G41 1HH  
United Kingdom  
Tel: +44 (0) 141 429 2777  
Fax: +44 (0) 141 429 2758

E-mail (Sales) [sales.emea@brtchip.com](mailto:sales.emea@brtchip.com)  
E-mail (Support) [support.emea@brtchip.com](mailto:support.emea@brtchip.com)

### Branch Office – Vietnam

Bridgetek VietNam Company Limited  
Lutaco Tower Building, 5th Floor, 173A Nguyen  
Van Troi,  
Ward 11, Phu Nhuan District,  
Ho Chi Minh City, Vietnam  
Tel : 08 38453222  
Fax : 08 38455222

E-mail (Sales) [sales.apac@brtchip.com](mailto:sales.apac@brtchip.com)  
E-mail (Support) [support.apac@brtchip.com](mailto:support.apac@brtchip.com)

### Web Site

<http://brtchip.com/>

### Distributor and Sales Representatives

Please visit the Sales Network page of the [Bridgetek Web site](#) for the contact details of our distributor(s) and sales representative(s) in your country.

System and equipment manufacturers and designers are responsible to ensure that their systems, and any Bridgetek Pte Ltd (BRT Chip) devices incorporated in their systems, meet all applicable safety, regulatory and system-level performance requirements. All application-related information in this document (including application descriptions, suggested Bridgetek devices and other materials) is provided for reference only. While Bridgetek has taken care to assure it is accurate, this information is subject to customer confirmation, and Bridgetek disclaims all liability for system designs and for any applications assistance provided by Bridgetek. Use of Bridgetek devices in life support and/or safety applications is entirely at the user's risk, and the user agrees to defend, indemnify and hold harmless Bridgetek from any and all damages, claims, suits or expense resulting from such use. This document is subject to change without notice. No freedom to use patents or other intellectual property rights is implied by the publication of this document. Neither the whole nor any part of the information contained in, or the product described in this document, may be adapted or reproduced in any material or electronic form without the prior written consent of the copyright holder. Bridgetek Pte Ltd, 178 Paya Lebar Road, #07-03, Singapore 409030. Singapore Registered Company Number: 201542387H.

## Appendix A – References

### Document References

For module documentations, please refer to URL below:

ESP8266 Datasheet : [\\_ESP8266 Datasheet](#)

ESP-12S Datasheet : [\\_ESP-12S Datasheet](#)

Arduino: <https://www.arduino.cc/>

CleOStuff tools: [CleOstuff](#)

### Acronyms and Abbreviations

Terms	Description
CCK	Complementary Code Keying
DSSS	Direct-Sequence Spread Spectrum
OFDM	Orthogonal Frequency-Division Multiplexing
MCU	MicroController Unit
UART	Universal Asynchronous Receiver/Transmitter
WPA	Wi-Fi Protected Access

## Appendix B - List of Figures and Tables

### List of Tables

Table 1 - Module Feature Description .....	4
Table 2 - CN1 Pin Description.....	5
Table 3 - Parameters .....	6
Table 4 - Antenna Parameters .....	6

### List of Figures

Figure 1 - CleO35-WIFI Top View .....	4
Figure 2 - Sheet 1 - CleO35-WIFI Board .....	7
Figure 3 - CleO35-WIFI Module Dimensions.....	8

## Appendix C – Revision History

Document Title: Cle035-WIFI Module Datasheet  
Document Reference No.: BRT\_000117  
Clearance No.: BRT#082  
Product Page: <http://brtchip.com/m-cleo/>  
Document Feedback: [Send Feedback](#)

Revision	Changes	Date
Version 1.0	Initial Release	2017-06-09



Компания «ЭлектроПласт» предлагает заключение долгосрочных отношений при поставках импортных электронных компонентов на взаимовыгодных условиях!

Наши преимущества:

- Оперативные поставки широкого спектра электронных компонентов отечественного и импортного производства напрямую от производителей и с крупнейших мировых складов;
- Поставка более 17-ти миллионов наименований электронных компонентов;
- Поставка сложных, дефицитных, либо снятых с производства позиций;
- Оперативные сроки поставки под заказ (от 5 рабочих дней);
- Экспресс доставка в любую точку России;
- Техническая поддержка проекта, помощь в подборе аналогов, поставка прототипов;
- Система менеджмента качества сертифицирована по Международному стандарту ISO 9001;
- Лицензия ФСБ на осуществление работ с использованием сведений, составляющих государственную тайну;
- Поставка специализированных компонентов (Xilinx, Altera, Analog Devices, Intersil, Interpoint, Microsemi, Aeroflex, Peregrine, Syfer, Eurofarad, Texas Instrument, Miteq, Cobham, E2V, MA-COM, Hittite, Mini-Circuits, General Dynamics и др.);

Помимо этого, одним из направлений компании «ЭлектроПласт» является направление «Источники питания». Мы предлагаем Вам помощь Конструкторского отдела:

- Подбор оптимального решения, техническое обоснование при выборе компонента;
- Подбор аналогов;
- Консультации по применению компонента;
- Поставка образцов и прототипов;
- Техническая поддержка проекта;
- Защита от снятия компонента с производства.



#### Как с нами связаться

**Телефон:** 8 (812) 309 58 32 (многоканальный)

**Факс:** 8 (812) 320-02-42

**Электронная почта:** [org@eplast1.ru](mailto:org@eplast1.ru)

**Адрес:** 198099, г. Санкт-Петербург, ул. Калинина, дом 2, корпус 4, литера А.