

---

## **135 MSPS 9-Channel AFE with Sensor Timing Generation and LVDS/CMOS Data Output**

---

### **DESCRIPTION**

The WM8235 is a 16-bit analogue front end/digitiser IC which processes and digitises the analogue output signals from CCD sensors or Contact Image Sensors (CIS) at pixel sample rates of up to 15 MSPS per channel.

The device has nine analogue signal processing channels each of which contains Reset Level Clamping, Correlated Double Sampling (also Sample and Hold), Programmable Gain, Automatic Gain Control (AGC) and Offset adjust functions.

The output from each of these channels is time multiplexed, in pairs, into three high-speed 16-bit Analogue to Digital Converters. The digital data is available in a variety of output formats via the flexible data port.

The WM8235 has a user selectable LVDS or CMOS output architecture.

An internal 5-bit DAC is supplied for internal reference level generation. This may be used during CDS to reference CIS signals or during clamping to clamp CCD signals. An external reference level may also be supplied. ADC references are generated internally, ensuring optimum performance from the device.

A programmable automatic Black-Level Calibration function is available to adjust the DC offset of the output data.

The WM8235 features a sensor timing clock generator for both CCD and CIS sensors. The clock generator can accept a slow or fast reference clock input and also has a flexible timing adjustment function for output timing clocks to allow use of many different sensors.

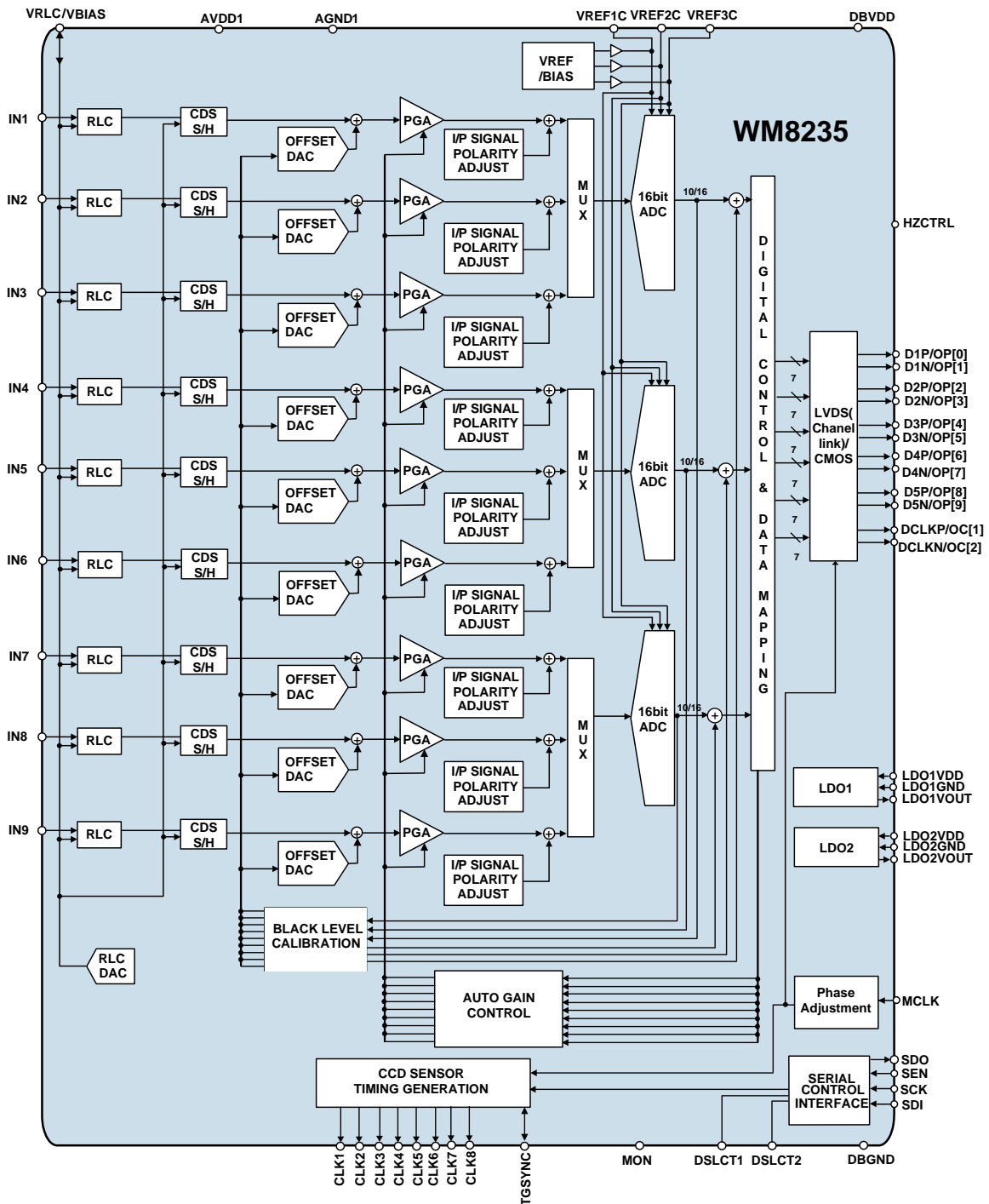
### **FEATURES**

- 135 MSPS conversion rate
- 16-bit ADC resolution
- Current consumption – 390mA
- 3.3V single supply operation
- Sample and hold / correlated double sampling
- Programmable offset adjust (8-bit resolution)
- Flexible clamp timing
- Pixel clamp / line clamp mode
- Programmable clamp voltage
- Programmable CIS/CCD timing generator
- Internally generated voltage references
- Compliant for Spread Spectrum Clock
- LVDS/CMOS output options
  - LVDS 5-pair 315 MHz 35-bit data
  - CMOS 90 MHz output maximum
- Complete on chip clock generator. MCLK 5 – 15 MHz
- Internal timing adjustment
- Automatic Gain Control
- Automatic Black Level Calibration
- 56-lead QFN package 7mm x 7mm
- Serial control interface

### **APPLICATIONS**

- Digital copiers
- USB2.0 compatible scanners
- Multi-function peripherals
- High-speed CCD/CIS sensor interface

## BLOCK DIAGRAM



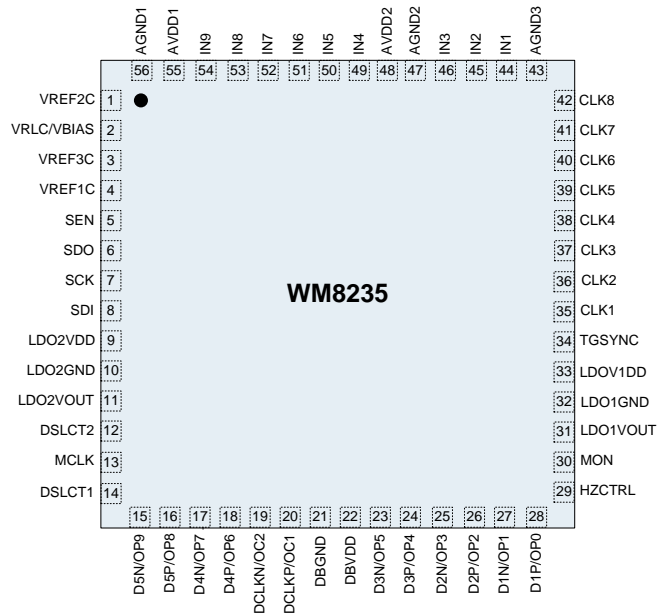
## TABLE OF CONTENTS

<b>DESCRIPTION</b> .....	1
<b>FEATURES</b> .....	1
<b>APPLICATIONS</b> .....	1
<b>BLOCK DIAGRAM</b> .....	2
<b>TABLE OF CONTENTS</b> .....	3
<b>PIN CONFIGURATION</b> .....	5
<b>ORDERING INFORMATION</b> .....	5
<b>PIN DESCRIPTION</b> .....	6
<b>ABSOLUTE MAXIMUM RATINGS</b> .....	7
<b>RECOMMENDED OPERATING CONDITIONS</b> .....	7
<b>ELECTRICAL CHARACTERISTICS</b> .....	8
<b>INTERNAL POWER ON RESET CIRCUIT</b> .....	11
<b>SIGNAL TIMING REQUIREMENTS</b> .....	12
SERIAL CONTROL INTERFACE .....	12
DEVICE IDENTIFICATION.....	12
REGISTER WRITE.....	13
REGISTER READ-BACK .....	13
INPUT VIDEO SAMPLING .....	14
NON-CDS (S/H) MODE .....	14
CDS MODE.....	14
OUTPUT DATA TIMING (CMOS OUTPUT) .....	16
OUTPUT DATA TIMING (LVDS OUTPUT) .....	16
<b>DEVICE DESCRIPTION</b> .....	17
INTRODUCTION .....	17
RESET LEVEL CLAMPING (RLC) .....	17
CDS/NON-CDS PROCESSING.....	19
OFFSET ADJUST AND PROGRAMMABLE GAIN.....	20
ADC INPUT BLACK LEVEL ADJUST .....	20
OVERALL SIGNAL FLOW SUMMARY .....	21
ADC PGA BIAS CURRENT CONTROL .....	22
PLL DLL SETUP.....	23
OUTPUT DATA FORMAT .....	25
LVDS 10-BIT 5PAIR MODE .....	25
LVDS 16-BIT 5PAIR MODE .....	26
LVDS 10-BIT 3PAIR MODE .....	28
LVDS 16-BIT 3PAIR MODE .....	30
LVDS 12-BIT 4PAIR MODE .....	31
LVDS DATA OUTPUT ORDER.....	33
LVDS SYNCHRONOUS OUTPUT.....	34
CMOS OUTPUT MODE.....	35
CLOCK TIMING CONFIGURATION.....	35
SENSOR TIMING GENERATION .....	37
TG MASTER MODE OPERATION .....	38
TG SLAVE MODE OPERATION.....	38
TG PULSE AND TRIGGER DATA.....	39
TG PULSE .....	40
TRIGGER DATA .....	40
CHANNEL ID .....	40
TG MASK TIMING .....	43
TG CYCLE MODE .....	44

---

PROGRAMMABLE AUTOMATIC BLACK LEVEL CALIBRATION (BLC).....	45
TARGET CODES.....	45
BLC SCENARIOS OF OPERATION.....	46
SCENARIO 1 .....	46
SCENARIO 2 .....	47
SCENARIO 3 .....	48
AUTOMATIC GAIN CONTROL (AGC) .....	49
LINE-BY-LINE OPERATION .....	51
TEST PATTERN GENERATOR .....	53
REGISTER SETTING PROCEDURE .....	55
OVERALL.....	55
PLL/DLL CONFIGURATION .....	56
SAMPLING CONFIGURATION.....	56
CLAMP CONFIGURATION.....	57
VRLC CONFIGURATION.....	57
OFFSET DAC CONFIGURATION .....	58
PGA CONFIGURATION .....	59
TG CLOCK CONFIGURATION.....	61
TG PULSE CONFIGURATION .....	62
DATA OUTPUT CONFIGURATION.....	63
<b>REGISTER MAP .....</b>	<b>66</b>
EXTENDED PAGE REGISTERS.....	71
REGISTER BITS BY ADDRESS .....	72
<b>APPLICATIONS INFORMATION .....</b>	<b>149</b>
RECOMMENDED EXTERNAL COMPONENTS .....	149
RECOMMENDED EXTERNAL COMPONENT VALUES .....	150
<b>PACKAGE DIMENSIONS.....</b>	<b>151</b>
<b>IMPORTANT NOTICE .....</b>	<b>152</b>
<b>REVISION HISTORY .....</b>	<b>153</b>

## PIN CONFIGURATION



## ORDERING INFORMATION

DEVICE	TEMPERATURE RANGE	PACKAGE	MOISTURE SENSITIVITY LEVEL	PEAK SOLDERING TEMPERATURE
WM8235GEFL/V	-40 to 85°C	56-lead QFN (7 x 7 x 0.85 mm) (Pb-free)	MSL3	260°C
WM8235GEFL/RV	-40 to 85°C	56-lead QFN (7 x 7 x 0.85 mm) (Pb-free, tape and reel)	MSL3	260°C

Reel quantity = 2,200

**PIN DESCRIPTION**

PIN	NAME	TYPE	DESCRIPTION
1	VREF2C	Analogue output	Mid reference voltage. This pin must be connected to AGND via a decoupling capacitor.
2	VRLC	Analogue I/O	Reference voltage input/output
3	VREF3C	Analogue output	Lower reference voltage. This pin must be connected to AGND via a decoupling capacitor.
4	VREF1C	Analogue output	Upper reference voltage. This pin must be connected to AGND via a decoupling capacitor.
5	SEN	Digital input	Enables the serial interface when high.
6	SDO	Digital output	Serial interface data output
7	SCK	Digital input	Serial interface clock
8	SDI	Digital input	Serial interface data input
9	LDO2VDD	Supply	Analogue supply
10	LDO2GND	Supply	Analogue ground
11	LDO2VOUT	Supply	LDO output This pin must be connected to AGND via a decoupling capacitor.
12	DSLCT2	Analogue input	Device select 2
13	MCLK	Analogue input	Master clock
14	DSLCT1	Analogue input	Device select 1
15	D5N/OP[9]	LVDS output	LVDS Data output 5 – Negative / CMOS output 9
16	D5P/OP[8]	LVDS output	LVDS Data output 5 – Positive / CMOS output 8
17	D4N/OP[7]	LVDS output	LVDS Data output 4 – Negative / CMOS output 7
18	D4P/OP[6]	LVDS output	LVDS Data output 4 – Positive / CMOS output 6
19	DCCLKN/OC[2]	LVDS output	LVDS Clock Output – Negative/ CMOS flag output
20	DCCLKP/OC[1]	LVDS output	LVDS Clock Output – Positive/ CMOS clock output
21	DBGND	Supply	Analogue ground
22	DBVDD	Supply	Analogue supply
23	D3N/OP[5]	LVDS output	LVDS Data output 3 – Negative / CMOS output 5
24	D3P/OP[4]	LVDS output	LVDS Data output 3 – Positive / CMOS output 4
25	D2N/OP[3]	LVDS output	LVDS Data output 2 – Negative / CMOS output 3
26	D2P/OP[2]	LVDS output	LVDS Data output 2 – Positive / CMOS output 2
27	D1N/OP[1]	LVDS output	LVDS Data output 1 – Negative / CMOS output 1
28	D1P/OP[0]	LVDS output	LVDS Data output 1 – Positive / CMOS output 0
29	HZCTRL	Digital input	Internal use only. Must be connected to AGND
30	MON	Analogue output	Clock monitor
31	LDO1VOUT	Supply	LDO output. This pin must be connected to AGND via a decoupling capacitor.
32	LDO1GND	Supply	Analogue ground
33	LDO1VDD	Supply	Analogue supply
34	TGSYNC	Digital I/O	Sensor Timing Sync pulse
35	CLK1	Digital output	Sensor Timing Output 1
36	CLK2	Digital output	Sensor Timing Output 2
37	CLK3	Digital output	Sensor Timing Output 3
38	CLK4	Digital output	Sensor Timing Output 4
39	CLK5	Digital output	Sensor Timing Output 5
40	CLK6	Digital output	Sensor Timing Output 6
41	CLK7	Digital output	Sensor Timing Output 7
42	CLK8	Digital output	Sensor Timing Output 8
43	AGND3	Supply	Analogue ground
44	IN1	Analogue input	Analogue input 1
45	IN2	Analogue input	Analogue input 2
46	IN3	Analogue input	Analogue input 3

PIN	NAME	TYPE	DESCRIPTION
47	AGND2	Supply	Analogue ground
48	AVDD2	Supply	Analogue supply
49	IN4	Analogue input	Analogue input 3
50	IN5	Analogue input	Analogue input 4
51	IN6	Analogue input	Analogue input 3
52	IN7	Analogue input	Analogue input 4
53	IN8	Analogue input	Analogue input 5
54	IN9	Analogue input	Analogue input 6
55	AVDD1	Supply	Analogue supply
56	AGND1	Supply	Analogue ground

## ABSOLUTE MAXIMUM RATINGS

Absolute Maximum Ratings are stress ratings only. Permanent damage to the device may be caused by continuously operating at or beyond these limits. Device functional operating limits and guaranteed performance specifications are given under Electrical Characteristics at the test conditions specified.



ESD Sensitive Device. This device is manufactured on a CMOS process. It is therefore generically susceptible to damage from excessive static voltages. Proper ESD precautions must be taken during handling and storage of this device.

Cirrus Logic tests its package types according to IPC/JEDEC J-STD-020 for Moisture Sensitivity to determine acceptable storage conditions prior to surface mount assembly. These levels are:

MSL1 = unlimited floor life at <30°C / 85% Relative Humidity. Not normally stored in moisture barrier bag.

MSL2 = out of bag storage for 1 year at <30°C / 60% Relative Humidity. Supplied in moisture barrier bag.

MSL3 = out of bag storage for 168 hours at <30°C / 60% Relative Humidity. Supplied in moisture barrier bag.

The Moisture Sensitivity Level for each package type is specified in Ordering Information.

CONDITION	MIN	MAX
Analogue supply voltage: AVDD1-2, LDO1VDD-LDO2VDD, DBVDD	GND - 0.3V	GND + 5V
Analogue grounds: AGND1-3, LDO1GND-LDO2GND, DBGND	GND - 0.3V	GND + 0.3V
Analogue inputs (IN1-6)	GND - 0.3V	AVDD + 0.3V
Other Analogue pins	GND - 0.3V	AVDD + 0.3V
Digital I/O pins	GND - 0.3V	AVDD + 0.3V
Operating temperature range: T <sub>A</sub>	-40°C	+85°C
Storage temperature prior to soldering	30°C max / 85% RH max	
Storage temperature after soldering	-65°C	+150°C

### Notes:

- GND denotes the voltage of any ground pin.
- AGND, LDOGND and DBGND pins are intended to be operated at the same potential. Differential voltages between these pins will degrade performance.

## RECOMMENDED OPERATING CONDITIONS

CONDITION	SYMBOL	MIN	TYP	MAX	UNITS
Operating temperature range	T <sub>A</sub>	-40		85	°C
Analogue Supply voltage	AVDD1-2 LDO1VDD- LDO2VDD DBVDD	2.97	3.3	3.63	V

**ELECTRICAL CHARACTERISTICS**
**Test Conditions**

 AVDD = LDOVDD = DBVDD = 3.3V, AGND = LDOGND = DBGND= 0V, T<sub>A</sub> = 25°C, MCLK= 15MHz unless otherwise stated.

PARAMETER	SYMBOL	TEST CONDITIONS	MIN	TYP	MAX	UNIT
<b>Overall System Specification (including 10-bit ADC, PGA, Offset and CDS functions)</b>						
Conversion rate per channel			5		15	MSPS
Full-scale input voltage (see Note 1)		ADCFS=0, Max Gain		0.12		V <sub>p-p</sub>
		ADCFS=0, Min Gain		2.0		V <sub>p-p</sub>
		ADCFS=1, Max Gain		0.18		V <sub>p-p</sub>
		ADCFS=1, Min Gain		3.0		V <sub>p-p</sub>
Input signal voltage range	V <sub>IN</sub>	SF_INP=0	AGND		AVDD	V
		SF_INP=1	AGND		1.2	V
Input capacitance	C <sub>IN</sub>	Inputs to AGND		10	12	pF
Full-scale transition error		Gain = 0dB; AGAIN[4:0] = 02(hex) DGAIN[11:0] = 6AB(hex)		20		mV
Zero-scale transition error		Gain = 0dB; AGAIN[4:0] = 02(hex) DGAIN[11:0] = 6AB(hex)		20		mV
Differential non-linearity	DNL	10-bit		+/-0.5	+/-1.5	LSB
Integral non-linearity (pk-pk/2)	INL	10-bit		+/-1	+/-4	LSB
Channel to channel gain matching	Min Gain			5		%
	Max Gain			15		%
Output noise		10-bit, Unity Gain (Unused channels grounded)		0.5	2.5	LSB rms
Channel to channel crosstalk		10-bit		+/-0.5		LSB
Channel to channel offset matching		BLC disabled		70	210	mV
<b>Programmable Gain Amplifier</b>						
Total Resolution (Ga + Gd)	G <sub>T</sub>			12		bits
Analogue Gain	G <sub>a</sub>		0.6 + 0.3 * AGAIN[4:0]			V/V
Max gain, each channel (Ga)	G <sub>a MAX</sub>	AGAIN[4:0] = 1F(hex)	8.00	9.9	11.43	V/V
Min gain, each channel (Ga)	G <sub>a MIN</sub>	AGAIN[4:0] = 0(hex)	0.44	0.6	0.77	V/V
Digital Gain	G <sub>d</sub>		DGAIN[11:0] / 2 <sup>11</sup>			V/V
Max gain, each channel (Gd)	G <sub>d MAX</sub>	DGAIN[11:0] = FFF(hex)		2		V/V
Min gain, each channel (Gd)	G <sub>d MIN</sub>	DGAIN[11:0] = 400 (hex)		0.5		V/V
Max gain, each channel (Ga + Gd)	G <sub>T MAX</sub>	AGAIN[4:0] = 1F(hex) DGAIN[11:0] = FFF(hex)		19.8		V/V
Min gain, each channel (Ga + Gd)	G <sub>T MIN</sub>	AGAIN[4:0] = 0(hex) DGAIN[11:0] = 400 (hex)		0.3		V/V
<b>Analogue to Digital Converter</b>						
Resolution				16		bits
Speed					70	MSPS



**Test Conditions**

 AVDD = LDOVDD = DBVDD = 3.3V, AGND = LDOGND = DBGND= 0V, T<sub>A</sub> = 25°C, MCLK= 15MHz unless otherwise stated.

PARAMETER	SYMBOL	TEST CONDITIONS	MIN	TYP	MAX	UNIT
<b>References</b>						
Upper reference voltage	V <sub>REF1C</sub>	ADCFS=0		2.05		V
		ADCFS=1		2.25		V
Lower reference voltage	V <sub>REF3C</sub>	ADCFS=0		1.25		V
		ADCFS=1		1.05		V
Input return bias voltage	V <sub>REF2C</sub>		1.14	1.2	1.26	V
Diff. Reference voltage (VREF1C-VREF3C)	V <sub>REF1C3C</sub>	ADCFS=0	0.72	0.8	0.88	V
		ADCFS=1	1.00	1.2	1.35	V
Output resistance VREF1C, VREF3C, VREF2C				1		Ω
<b>VRLC/Reset-Level Clamp (RLC)</b>						
VRLC input voltage range (see Note 2)	VRLC	SF_INP=0	0.11		3.0	V
		SF_INP=1	0.11		1.2	V
RLC switching impedance				50		Ω
RLC short-circuit current				2		mA
RLC output resistance				2		Ω
RLC Hi-Z leakage current		VRLC = 0 to AVDD			1	μA
RLCDAC resolution				5		bits
RLCDAC step size	V <sub>RLCSTEP</sub>	VRLC_TOP_SEL=0		0.09		V/step
		VRLC_TOP_SEL=1		0.048		V/step
RLCDAC output voltage at code 0(hex)	V <sub>RLCBOT</sub>	VRLC_TOP_SEL=0, VRLC_VSEL[4:0]=00000		0.2		V
		VRLC_TOP_SEL=1, VRLC_VSEL[4:0]=00000		0.11		V
RLCDAC output voltage at code 1F(hex)	V <sub>RLCTOP</sub>	VRLC_TOP_SEL=0, VRLC_VSEL[4:0]=11111		3.0		V
		VRLC_TOP_SEL=1, VRLC_VSEL[4:0]=11111		1.6		V
VRLC DNL				0.5		LSB
VRLC INL				0.5		LSB
<b>Offset DAC, Monotonicity Guaranteed</b>						
Resolution				8		bits
Differential non-linearity	DNL			0.5	1	LSB
Integral non-linearity	INL			0.5	1	LSB
Step size				2.04		mV/step
Output voltage		Code 00(hex)	-400	-250	-100	mV
		Code FF(hex)	+100	+250	+400	mV
<b>DIGITAL SPECIFICATIONS</b>						
<b>Digital Inputs</b>						
High level input voltage	V <sub>IH</sub>		0.7 * AVDD			V
Low level input voltage	V <sub>IL</sub>				0.2 * AVDD	V
High level input current	I <sub>IH</sub>				1	μA
Low level input current	I <sub>IL</sub>				1	μA
Input capacitance	C <sub>I</sub>			5		pF

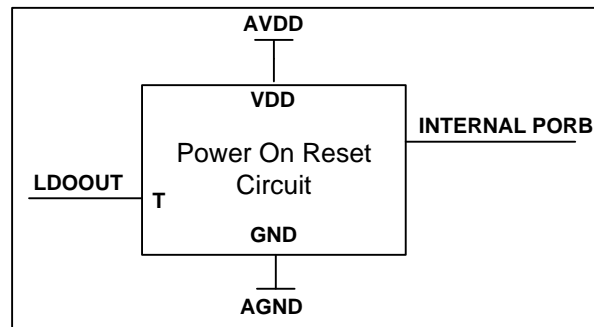
**Test Conditions**

 AVDD = LDOVDD = DBVDD = 3.3V, AGND = LDOGND = DBGND = 0V, T<sub>A</sub> = 25°C, MCLK = 15MHz unless otherwise stated.

PARAMETER	SYMBOL	TEST CONDITIONS	MIN	TYP	MAX	UNIT
<b>CMOS Outputs</b>						
High level output voltage	V <sub>OH</sub>	I <sub>OH</sub> = 6mA	AVDD – 0.5			V
Low level output voltage	V <sub>OL</sub>	I <sub>OL</sub> = 1mA			0.5	V
High impedance output current	I <sub>OZ</sub>				1	μA
<b>TG Outputs</b>						
High level output voltage	V <sub>OHTG</sub>	I <sub>OH</sub> = 1mA	AVDD – 0.5			V
Low level output voltage	V <sub>OLTG</sub>	I <sub>OL</sub> = 1mA			0.5	V
High impedance output current	I <sub>OZTG</sub>	Grounded			1	μA
<b>Digital IO Pins</b>						
Applied high level input voltage	V <sub>IH</sub>		0.7 * AVDD			V
Applied low level input voltage	V <sub>IL</sub>				0.2 * AVDD	V
High level output voltage	V <sub>OH</sub>	I <sub>OH</sub> = 1mA	AVDD – 0.5			V
Low level output voltage	V <sub>OL</sub>	I <sub>OL</sub> = 1mA			0.5	V
Low level input current	I <sub>IL</sub>				1	μA
High level input current	I <sub>IH</sub>				1	μA
Input capacitance	C <sub>I</sub>			5		pF
Output Impedance	R <sub>O</sub>	I <sub>O</sub> = 1mA		22		Ω
High impedance output current	I <sub>OZ</sub>				1	μA
<b>LVDS Outputs</b>						
Differential load impedance	R <sub>L</sub>		90	100	110	Ω
Differential steady-state output voltage magnitude	V <sub>OD</sub>	LVDS_AMP=011, R <sub>L</sub> =100Ω		200		mV
Change in the steady-state differential output voltage magnitude between opposite binary states	Δ V <sub>OD</sub>	R <sub>L</sub> =100Ω			15	mV
Steady-state common-mode output voltage	V <sub>OC(SS)</sub>	R <sub>L</sub> =100Ω		1.25		V
Peak-to-peak common-mode output	V <sub>OC(PP)</sub>			20	50	mV
Short-circuit output current	I <sub>OS</sub>		–6		6	mA
High-impedance state output current	I <sub>OZ</sub>		–10		10	uA
<b>Supply Currents</b>						
Total supply current – active		SF_INP=0, SF_VRLC=0		390		mA
		SF_INP=1, SF_VRLC=1		440		mA
Total supply current – full power down mode				1.2		mA

**Notes:**

- Full-scale input voltage** denotes the differential input signal amplitude (V<sub>IN</sub>-VRLC in non-CDS mode, V<sub>IN</sub>-RESET level in CDS mode) that corresponds to the ADC full-scale input level.
- If AVDD < 3.0V, the VRLC input voltage must not exceed AVDD.**

**INTERNAL POWER ON RESET CIRCUIT**

**Figure 1 Internal Power On Reset Circuit Schematic**

The WM8235 includes an internal Power-On-Reset Circuit, as shown in Figure 1, which is used reset the digital logic into a default state after power up. The POR circuit is powered from AVDD and monitors LDOOUT. It asserts PORB low if AVDD or LDOOUT is below a minimum threshold.

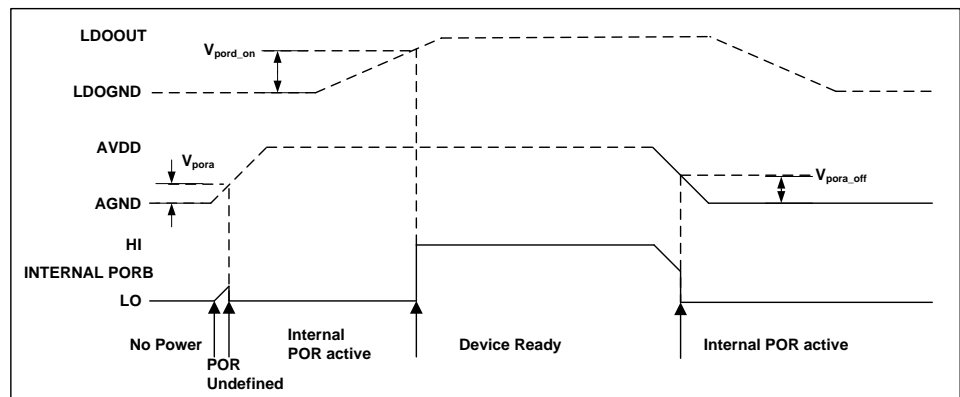
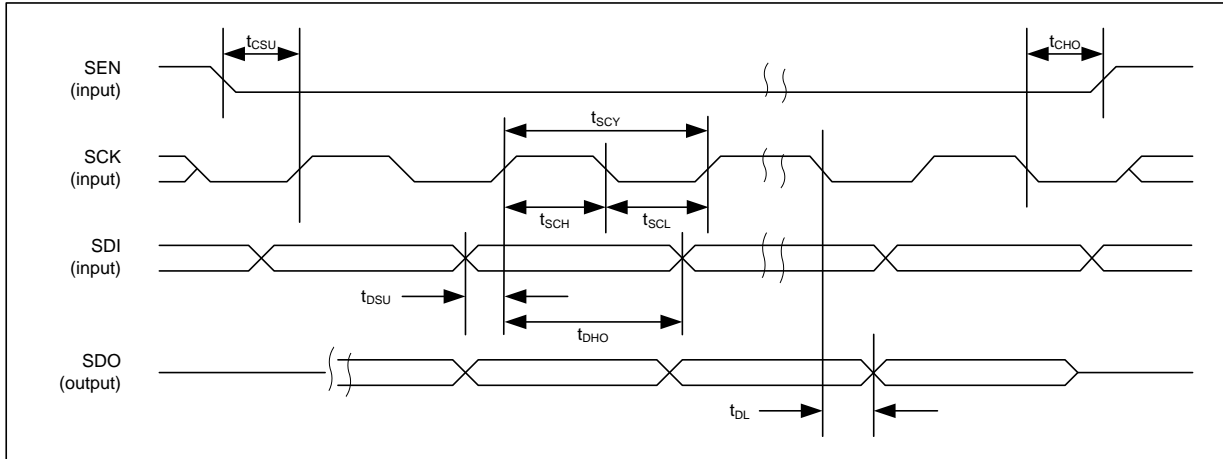

**Figure 2 Typical Power up Sequence where AVDD is Powered before LDOOUT**

Figure 2 shows a typical power-up sequence where AVDD is powered up first. When AVDD rises above the minimum threshold,  $V_{pora}$ , there is enough voltage for the circuit to guarantee PORB is asserted low and the chip is held in reset. In this condition, all writes to the control interface are ignored. When LDOOUT rises to  $V_{pord\_on}$ , PORB is released high and all registers are in their default state and writes to the control interface may take place. On power down, where AVDD falls first, PORB is asserted low whenever AVDD drops below the minimum threshold  $V_{pora\_off}$ .

SYMBOL	MIN	TYP	MAX	UNIT
$V_{pora}$	0.4	0.6	0.8	V
$V_{pora\_off}$	0.4	0.6	0.8	V
$V_{pord\_on}$	0.5	0.7	0.9	V

**Table 1 Typical POR Operation (typical values, not tested)**

**SIGNAL TIMING REQUIREMENTS**
**SERIAL CONTROL INTERFACE**

**Figure 3 Serial Interface Timing**

PARAMETER	SYMBOL	TEST CONDITIONS	MIN	TYP	MAX	UNITS
SEN falling edge to SCK rising edge	$t_{CSU}$		20			ns
SCK falling edge to SEN rising edge	$t_{CHO}$		20			ns
SCK pulse cycle time	$t_{SCY}$		83.3			ns
SCK pulse width low	$t_{SCL}$		33			ns
SCK pulse width high	$t_{SCH}$		33			ns
SDI to SCK set-up time	$t_{DSU}$		20			ns
SDI to SCK hold time	$t_{DHO}$		20			ns
SCK falling edge to SDO transition	$t_{DL}$				33	ns

The internal control registers are programmable via the serial digital control interface. The register contents can be read back via the serial interface on pin SDO.

It is recommended that a software reset is carried out after the power-up sequence, before writing to any other register. This ensures that all registers are set to their default values.

**DEVICE IDENTIFICATION**

Up to 4 WM8235 devices can share a common set of serial interface pins. Each device on the common interface bus must be given a different device ID. The device ID is set by the input pin DSLCT2 and DSLCT1 as shown in Table 2.

DSLCT2	DSLCT1	DEVICE ID (ID[1:0])
L	L	00
L	H	01
H	L	10
H	H	11

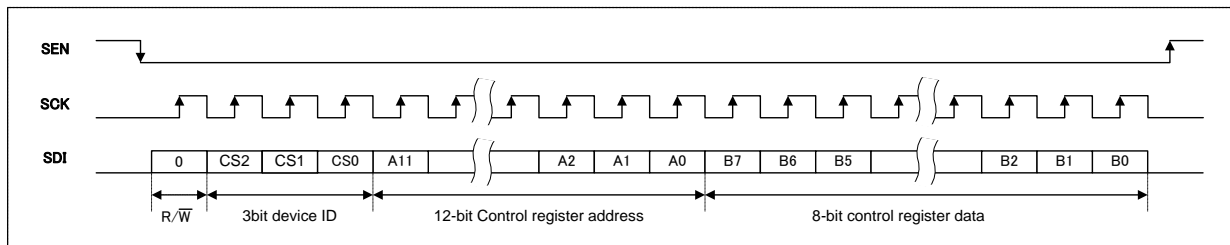
**Table 2 Device Identification**

## REGISTER WRITE

Figure 4 shows sequence of operations for performing a register write. Three pins, SCK, SDI and SEN are used for the control interface. A 16-bit address (R/W, CS0, CS1, CS2, A11 to A0) is clocked in through SDI, MSB first, followed by an 8-bit data word (b7 to b0), also MSB first. Setting address bit R/W to 0 indicates that the operation is a register write. The device ID bits (CS0 and CS1) indicate which device is being written to on a shared control bus. A register write with CS2 set to 1 writes data to all devices on the common bus. Each bit is latched on the rising edge of SCK. When the data has been shifted into the device, a rising edge on the SEN pin transfers the data to the appropriate internal register.

CS2	CS1 (DSLCT2)	CS0 (DSLCT1)	DESCRIPTION
0	ID[1:0]		Indicated a device to write data
1	X	X	Writes data to all devices

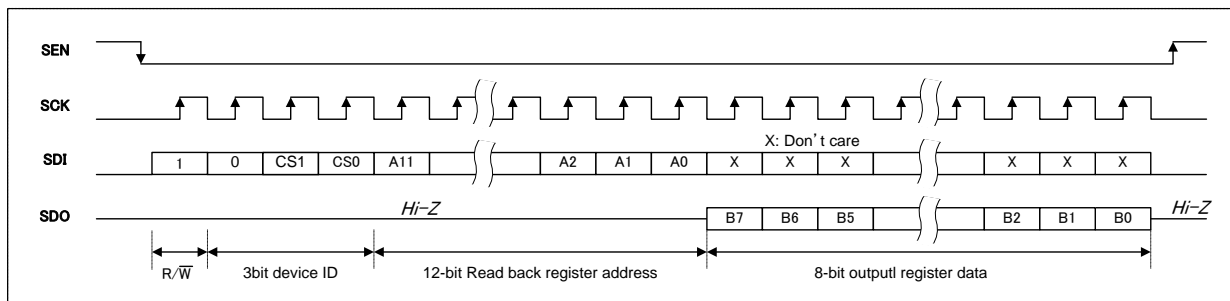
**Table 3 Device Identification**



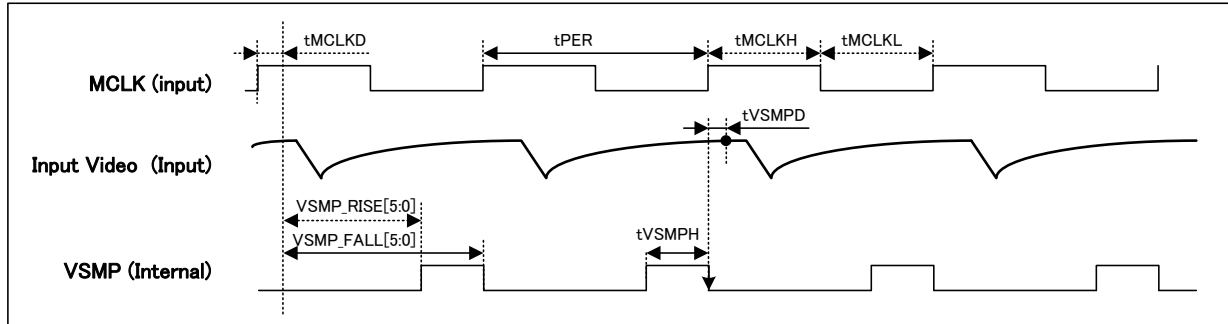
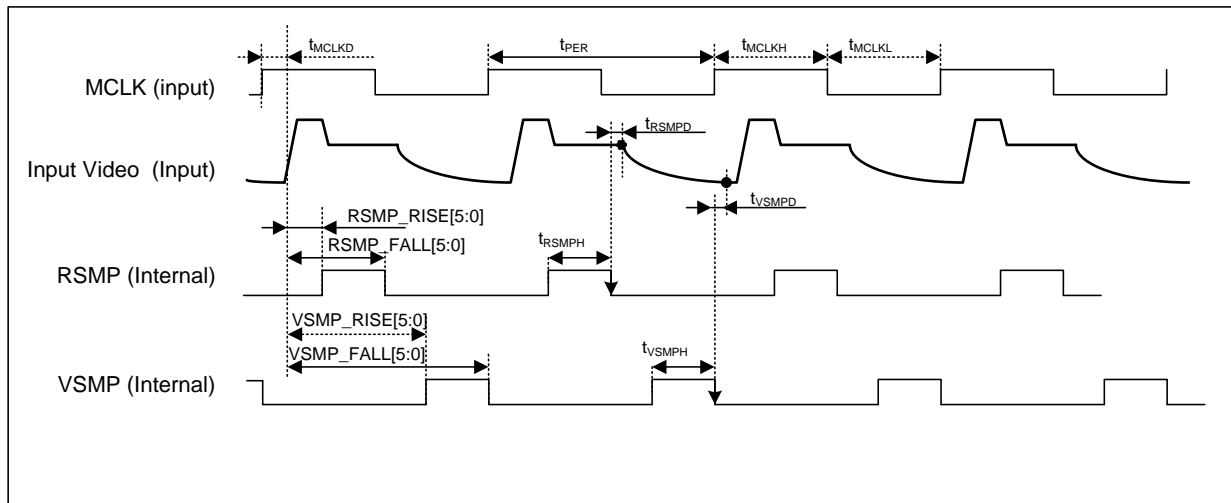
**Figure 4 Serial Interface Register Write**

## REGISTER READ-BACK

Figure 5 shows register read-back in serial mode. Read-back is initiated by writing to the serial bus as described above but with address bit R/W set to 1, followed by an 8-bit dummy data word. Writing address (A11 to A0) will cause the contents (B7 to B0) of corresponding register in the addressed device to be output MSB first on pin SDO (on the following edge of SCK). In this mode, the CS2 register should be set to 0.



**Figure 5 Serial Interface Register Read-back**

**INPUT VIDEO SAMPLING**
**NON-CDS (S/H) MODE**

**Figure 6 Input Video Timing (non-CDS (S/H) mode)**
**CDS MODE**

**Figure 7 Input Video Timing (CDS mode)**

**Test Conditions**

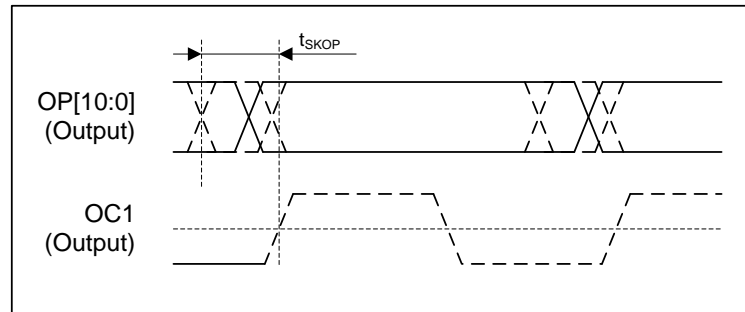
 AVDD = LDOVDD = DBVDD = 3.3V, AGND = LDOGND = DBGND= 0V, T<sub>A</sub> = 25°C, MCLK= 15MHz unless otherwise stated.

PARAMETER	SYMBOL	TEST CONDITIONS	MIN	TYP	MAX	UNITS
MCLK cycle period (see note 2)	t <sub>PER</sub>		66.7		200	ns
MCLK high period (see note 2)	t <sub>MCLKH</sub>		0.4 * t <sub>PER</sub>	0.5 * t <sub>PER</sub>	0.6 * t <sub>PER</sub>	ns
MCLK low period (see note 2)	t <sub>MCLKL</sub>		0.4 * t <sub>PER</sub>	0.5 * t <sub>PER</sub>	0.6 * t <sub>PER</sub>	ns
MCLK rising edge to DLL tap 0	t <sub>MCLKD</sub>			20		ns
Aperture delay (from RSMP falling edge)	t <sub>RSMPD</sub>			5		ns
Aperture delay (from VSMP falling edge)	t <sub>VSMPD</sub>			5		ns
RSMP high period	t <sub>RSMPH</sub>		5			ns
VSMP high period	t <sub>VSMPH</sub>		5		8 * t <sub>PER</sub> /60	ns
RSMP falling edge to VSMP rising edge	t <sub>RV</sub>		0.5			ns
VSMP falling edge to RSMP rising edge	t <sub>VR</sub>		0.5			ns
Output data latency (from 1 <sup>st</sup> falling edge of VSMP)	LAT	LVDS 10-bit 5pair mode		7		clock
		Other output modes		6		clock

**Notes:**

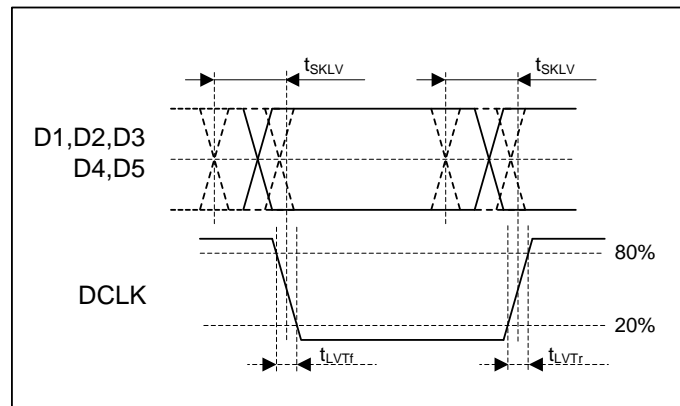
- 1clock = t<sub>PER</sub> (MCLK cycle period)
2. MCLK cycle period and MCLK high/low period are measured at 50% of the respective rising/falling edges

REGISTER ADDRESS	BIT	LABEL	DEFAULT	DESCRIPTION
R130 (82h) RSMP rise	5:0	RSMP_RISE[5:0]	01_1100	RSMP rise edge (0 to 59)
R131 (83h) RSMP fall	5:0	RSMP_FALL[5:0]	10_0110	RSMP fall edge (0 to 59)
R132 (84h) VSMP rise	5:0	VSMP_RISE[5:0]	00_1000	VSMP rise edge (0 to 59)
R133 (85h) VSMP fall	5:0	VSMP_FALL[5:0]	10_1000	VSMP fall edge (0 to 59)

**OUTPUT DATA TIMING (CMOS OUTPUT)**

**Figure 8 CMOS Output Data Timing**
**Test Conditions**

AVDD = LDOVDD = DBVDD = 3.3V, AGND = LDOGND = DBGND= 0V, T<sub>A</sub> = 25°C, MCLK= 10MHz unless otherwise stated.

PARAMETER	SYMBOL	TEST CONDITIONS	MIN	TYP	MAX	UNITS
Data output skew	t <sub>SKOP</sub>			+/-500		ps

**OUTPUT DATA TIMING (LVDS OUTPUT)**

**Figure 9 LVDS Output Data Timing**
**Test Conditions**

AVDD = LDOVDD = DBVDD = 3.3V, AGND = LDOGND = DBGND= 0V, T<sub>A</sub> = 25°C, MCLK= 15MHz unless otherwise stated.

PARAMETER	SYMBOL	TEST CONDITIONS	MIN	TYP	MAX	UNITS
LVDS output skew	t <sub>SKLV</sub>			+/-250		ps
LVDS output signal rise time	t <sub>LVTr</sub>				1	ns
LVDS output signal fall time	t <sub>LVTr</sub>				1	ns



## DEVICE DESCRIPTION

### INTRODUCTION

A block diagram of the device showing the signal path is presented on the front page of this datasheet.

The WM8235 samples up to nine inputs (IN1, IN2, IN3, IN4, IN5, IN6, IN7, IN8 and IN9) simultaneously. The device then processes the sampled video signal with respect to the video reset level or an internally/externally generated reference level using between one and nine processing channels.

Each processing channel consists of an Input Sampling block with optional Reset Level Clamping (RLC) and Correlated Double Sampling (CDS), an 8-bit programmable offset DAC and a 12-bit Programmable Gain Amplifier (PGA).

The processing channel outputs are switched, in pairs, alternately by a 3:1 multiplexer to the three ADC inputs.

The ADC then converts each resulting analogue signal to a digital word. The digital output from the ADC is presented in a variety of possible output formats in LVDS and CMOS format.

On-chip control registers determine the configuration of the device, including the offsets and gains applied to each channel. These registers are programmable via a serial interface.

The device has an automatic Black-Level Calibration function which allows the D.C. offset determined during the optically-black pixels at the beginning of the linear sensor to be removed during the image-pixels.

The WM8235 also has an Automatic Gain Control function which automatically adjusts the gain to an appropriate level for a detected input level.

The device incorporates a sensor timing generation function which allows CCD and CMOS sensor timing to be controlled directly from the device using internal clock generation and register settings.

### RESET LEVEL CLAMPING (RLC)

To ensure that the signal applied to the WM8235 lies within the supply voltage range (0V to AVDD), the output signal from a CCD is usually level shifted by coupling through a capacitor,  $C_{IN}$ . The RLC circuit clamps the WM8235 side of this capacitor to a suitable voltage through a CMOS switch during the CCD reset period (pixel clamping) or during the black pixels (line clamping). In order for clamping to produce correct results the input voltage during the clamping must be a constant value.

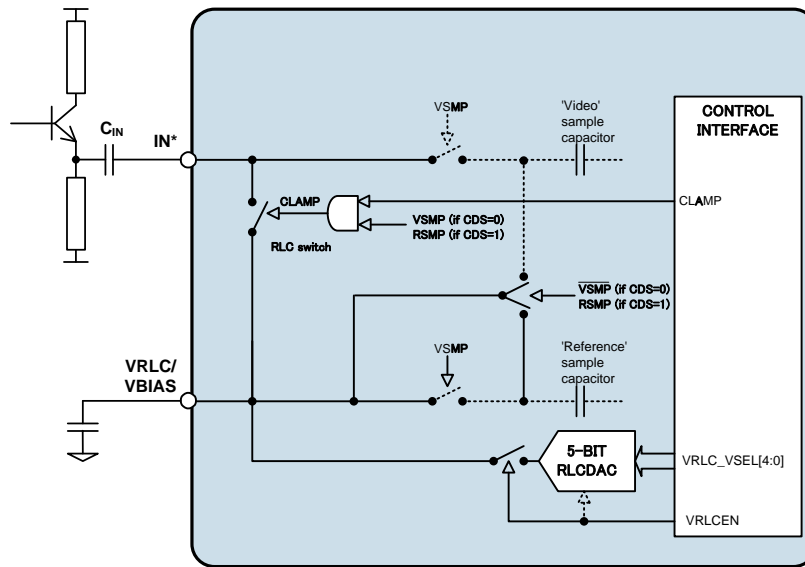
Note that if the A.C. coupling capacitor ( $C_{IN}$ ) is used in non-CDS mode (CDS=0), then to minimise code drift, line clamping should be used and internal input voltage buffers enabled using the SF\_INP and SF\_VRLC register bit.

Alternatively, if the input signal contains a stable reference/reset level in CDS mode, then pixel clamping should be used (CLPMD=1), and the voltage buffers need not be enabled. Note that the pixel clamping is used only CDS mode (CDS=1).

The WM8235 allows the user to control the RLC switch in a variety of ways as illustrated in Figure 10. This figure shows a single channel; however, all 9 channels are identical, each with its own clamp switch controlled by the common CLMP signal.

The method of control chosen depends upon the characteristics of the input video. The VRLCEN register bit must be set to 1 to enable clamping; otherwise, the RLC switch cannot be closed (by default VRLCEN=1).

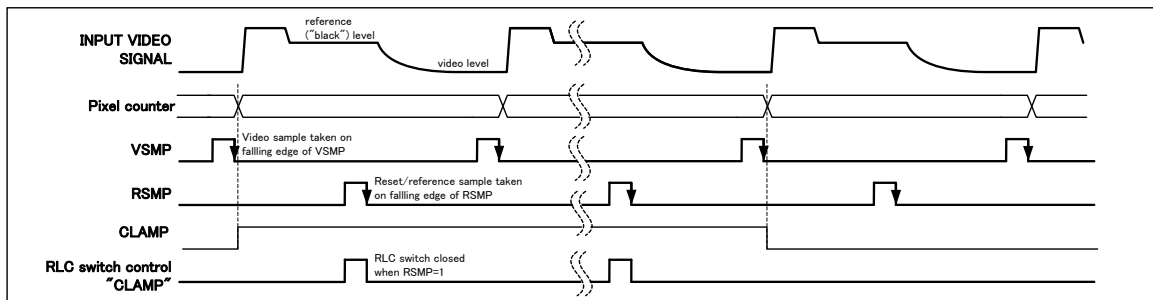
Note that unused inputs should be grounded through a decoupling capacitor, if reset level clamping is used.



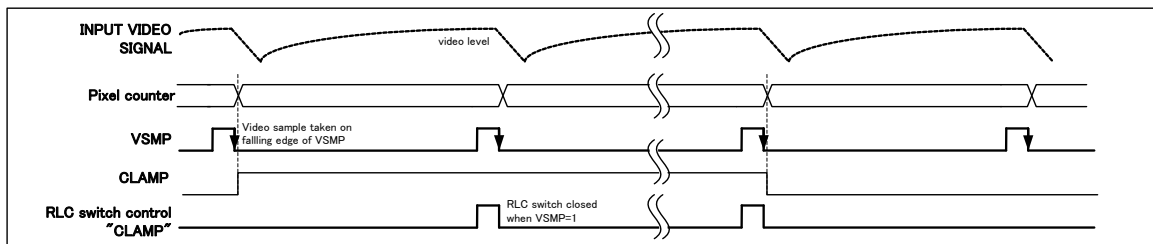
**Figure 10 RLC Clamp Control Options**

In CDS operation, when an input waveform has a stable reference level on every pixel, it may be desirable to clamp every pixel during this period. Setting CLAMP=high means that the RLC switch is closed whenever the RSMP is high, as shown in Figure 11.

In non-CDS operation, setting CLAMP=high means that the RLC switch is closed whenever the VSMP is high, as shown in Figure 12.



**Figure 11 Line Clamp Operation, CDS operation shown**

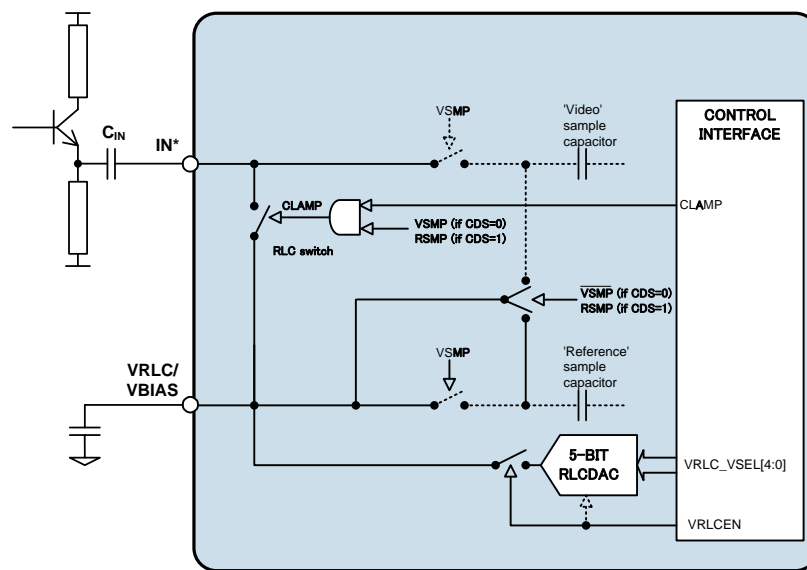


**Figure 12 Line Clamp Operation, non-CDS operation shown**

**CDS/NON-CDS PROCESSING**

For CCD type input signals, containing a fixed reference/reset level, the signal may be processed using Correlated Double Sampling (CDS), which will remove pixel-by-pixel common mode noise. With CDS processing, the input waveform is sampled at two different points in time for each pixel, once during the reference/reset level and once during the video level. To sample using CDS, register bit CDS must be set to 1 (default = 0). This causes the signal reference to come from the video reference level as shown in Figure 13.

For input signals that do not contain a reference/reset level (e.g. CIS sensor signals), non-CDS processing is used (CDS=0). In this case, the video level is processed with respect to the voltage on pin VRLC/VBIAS. The VRLC/VBIAS voltage is sampled during VSMP low period in this mode. Note that if the A.C. coupling capacitor ( $C_{IN}$ ) is used in non-CDS mode (CDS=0), then to minimise code drift, line clamping should be used and internal input voltage buffers enabled using the SF\_INP and SF\_VRLC registers. Alternatively, if the input signal contains a stable reference/reset level, then pixel clamping should be used, and the voltage buffers need not be enabled.



**Figure 13 CDS/non-CDS Input Configuration**

## OFFSET ADJUST AND PROGRAMMABLE GAIN

The output from the CDS block is a differential signal, which is added to the output of an 8-bit Offset DAC to compensate for offsets and then amplified by a 12-bit PGA. The gain and offset for each channel are independently programmable by writing to control bits DACINP[7:0] for the Offset DAC, and AGAIN[4:0] and DGAIN[11:0] for the PGA.

The gain characteristic of the WM8235 PGA is shown in Figure 14.

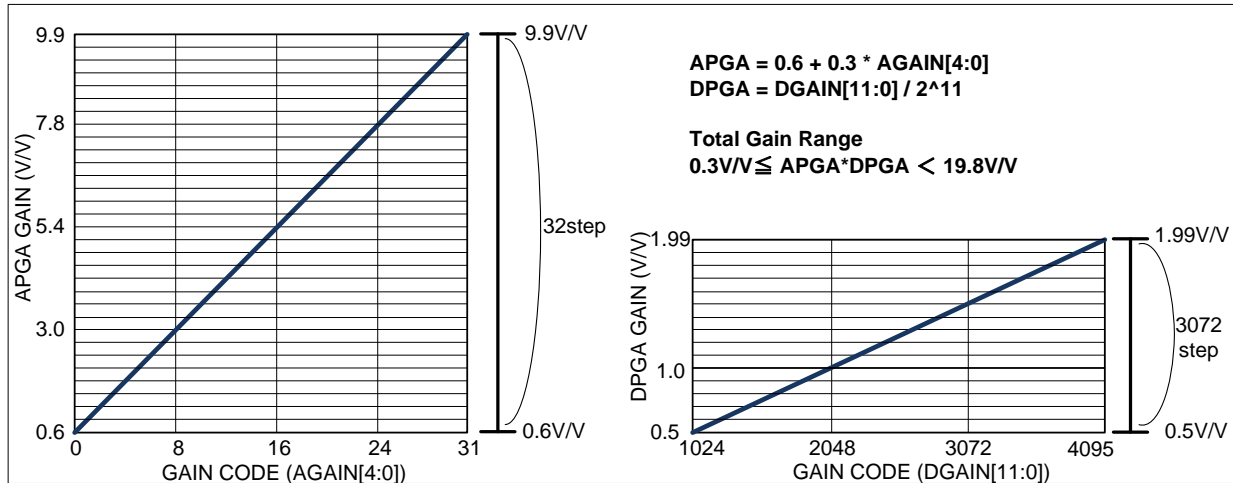


Figure 14 PGA Gain Characteristic

## ADC INPUT BLACK LEVEL ADJUST

The output from the PGA can be offset to match the full-scale range of the differential ADC ( $1.5 * [VREF1C - VREF3C]$ ).

For negative-going input video signals, a black level (zero differential) output from the PGA should be offset to the top of the ADC range by setting register bits PGAFS=0. For positive going input signals the black level should be offset to the bottom of the ADC range by setting PGAFS=1.

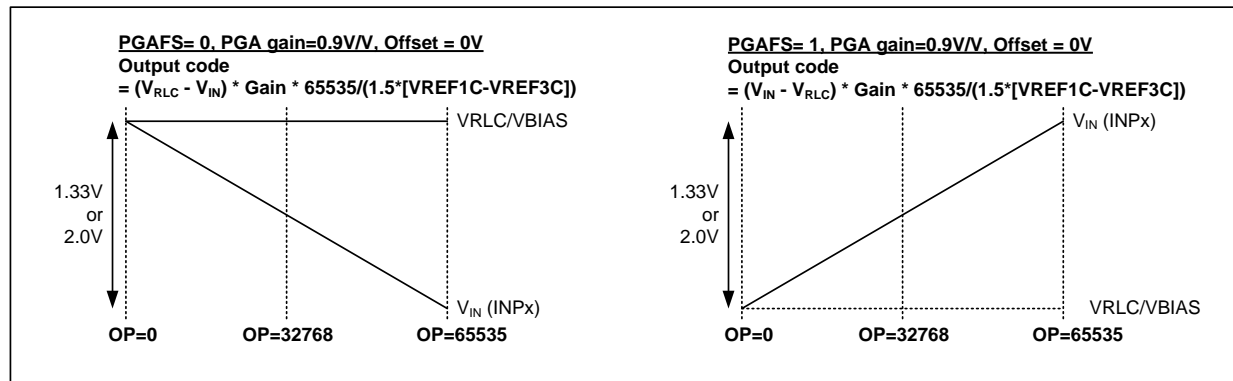
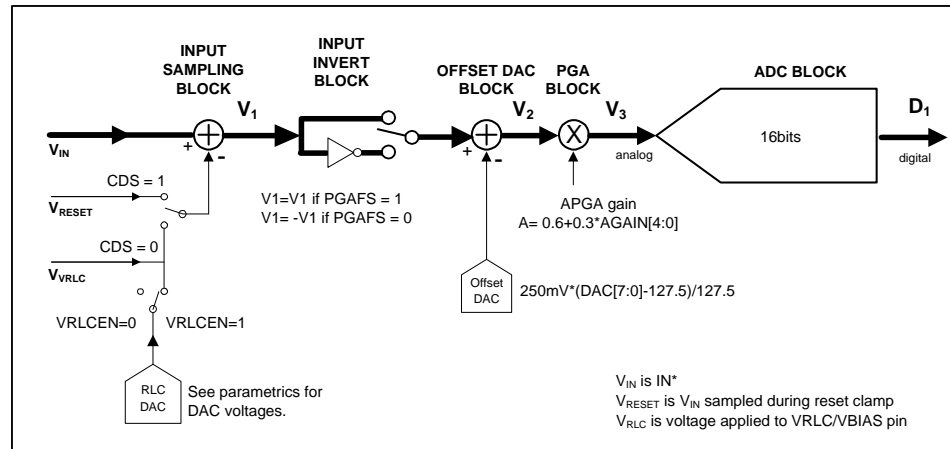


Figure 15 ADC Input Black Level Adjust Settings

**OVERALL SIGNAL FLOW SUMMARY**

Figure 16 represents the processing of the video signal through the WM8235.



**Figure 16 Overall Signal Flow**

The **INPUT SAMPLING BLOCK** produces an effective input voltage  $V_1$ . For CDS, this is the difference between the input video level  $V_{IN}$  and the input reset level  $V_{RESET}$ . For non-CDS this is the difference between the input video level  $V_{IN}$  and the voltage on the  $V_{RCLC}/BIAS$  pin,  $V_{VRLC}$ , optionally set via the **RLC DAC**.

The **OFFSET DAC BLOCK** then adds the amount of fine offset adjustment required to move the black level of the input signal towards 0V, producing  $V_2$ .

The **PGA BLOCK** then amplifies the white level of the input signal to maximise the ADC range, outputting voltage  $V_3$ .

The **ADC BLOCK** then converts the analogue signal,  $V_3$ , to a 16-bit unsigned digital output,  $D_1$ .

**ADC PGA BIAS CURRENT CONTROL**

The WM8235 can be changed the bias current for PGA and ADC comparator as the following step. It would be effective for high frequency operation.

1. R1C0h=1
2. R1CBh=11h

REGISTER ADDRESS	BIT	LABEL	DEFAULT	DESCRIPTION
R448 (1C0h) User access control2	0	User_KEY2	0	0 = User access2 disabled 1 = User access2 enabled

REGISTER ADDRESS	BIT	LABEL	DEFAULT	DESCRIPTION
R459 (1CBh) Comp control	1:0	PT_COMP	01	01 = Standard operation 11 = High performance operation Other = Inhibit.

**Notes:**

1. To change the Comp control, the USER\_KEY2 bit must be set to '1'.
2. If it's not required to change this register, must be set as default.

**PLL DLL SETUP**

The WM8235 supports a wide range of MCLK input frequencies. The PLL\_EXDIV\_SEL[2:0], LVDLGAIN[1:0] and DLGAIN[1:0] fields must be configured according to the MCLK frequency and the applicable data-output format – see Table 4. Note the LVDLGAIN field is not used in CMOS mode.

Note that after PLL and DLL configuration, the device must be reset as follows:

- R03[1:0]=11 (PDMD=1, PD=1)
- Delay 1ms
- R03[1:0]=00 (Normal operation)

Under default conditions, the LDO2 voltage is 1.8V. To select 2.0V output as noted in Table 4, the following control sequence is required:

- R1B0h[0]=1
- R1B4h=12h

Data Format	Max sample rate	MCLK frequency (MHz)	15.0	12.0 ~ 14.99	10.1 ~ 11.99	10.0	8.33 ~ 9.99	7.5 ~ 8.32	5.1 ~ 7.49	5.0
			PLL_EXDIV_SEL[2:0]	DLGAIN[1:0]	LDO2 voltage	PLL_EXDIV_SEL[2:0]	LVDLGAIN[1:0]	DLGAIN[1:0]	LDO2 voltage	PLL_EXDIV_SEL[2:0]
CMOS 10-bit	10 MHz	PLL_EXDIV_SEL[2:0]	—	—	—	000	000	001	001	001
		DLGAIN[1:0]	—	—	—	10	10	10	10	10
		LDO2 voltage	—	—	—	1.8V	1.8V	1.8V	1.8V	1.8V
LVDS 10-bit 5-pair	15 MHz	PLL_EXDIV_SEL[2:0]	001	001	001	001	001	010	010	010
		LVDLGAIN[1:0]	00	01	01	01	01	01	01	01
		DLGAIN[1:0]	01	10	10	10	10	10	10	10
		LDO2 voltage	2.0V	1.8V	1.8V	1.8V	1.8V	1.8V	1.8V	1.8V
LVDS 16-bit 5-pair LVDS 10-bit 3-pair LVDS 12-bit 4-pair	10 MHz	PLL_EXDIV_SEL[2:0]	—	—	—	000	000	001	001	001
		LVDLGAIN[1:0]	—	—	—	00	01	01	01	01
		DLGAIN[1:0]	—	—	—	01	10	10	10	10
		LDO2 voltage	—	—	—	2.0V	1.8V	1.8V	1.8V	1.8V
LVDS 16-bit 3-pair	5 MHz	PLL_EXDIV_SEL[2:0]	—	—	—	—	—	—	—	001
		LVDLGAIN[1:0]	—	—	—	—	—	—	—	00
		DLGAIN[1:0]	—	—	—	—	—	—	—	10
		LDO2 voltage	—	—	—	—	—	—	—	—

**Table 4 PLL and DLL Setting**

REGISTER ADDRESS	BIT	LABEL	DEFAULT	DESCRIPTION
R28 (1Ch) PLL divider control 1	6:4	PLL_EXDIV_SEL[2:0]	001	Select EX DIV ratio. Need to set according to input frequency. See Table 4. 000 = 1 001 = 2 010 = 4 011 = 8 100 = 16 101 to 111 = reserved.

REGISTER ADDRESS	BIT	LABEL	DEFAULT	DESCRIPTION
R128 (80h) DLL config 1	5:4	DLGAIN[1:0]	10	gain control of DLL delay line Need to set according to input frequency. See Table 4.

REGISTER ADDRESS	BIT	LABEL	DEFAULT	DESCRIPTION
R129 (81h) DLL config 2	5:4	LVDLGAIN[1:0]	01	gain control of LVDS DLL delay line Need to set according to input frequency. See Table 4.

REGISTER ADDRESS	BIT	LABEL	DEFAULT	DESCRIPTION
R432 (1B0h) User access control	0	USER_KEY	0	0 = User access disabled 1 = User access enabled

REGISTER ADDRESS	BIT	LABEL	DEFAULT	DESCRIPTION
R436 (1B4h) LDO2 control	4:0	LDO2_VSEL	1_0000	1_0000 = 1.8V 1_0010 = 2.0V

**Notes:**

1. To change the LDO2 control, the USER\_KEY bit must be set to '1'.
2. If it's not required to change this register, it must be set as default.

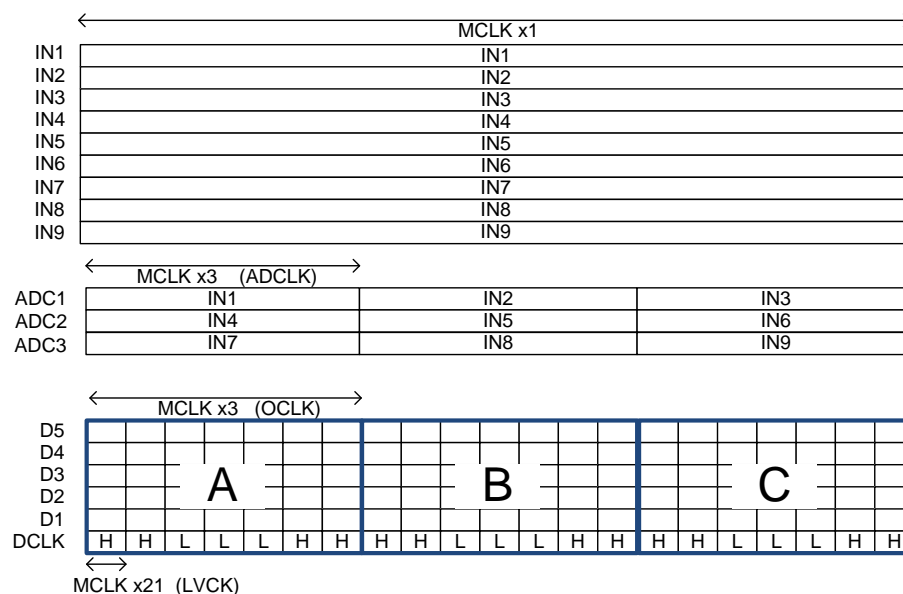


**OUTPUT DATA FORMAT**

The output from the WM8235 can be presented in several different formats under control of the CMOSMODE and the LVDSMODE register. Depending on the output modes, maximum MCLK rate is different as shown in Table 5.

MODES	DESCRIPTION	OUTPUT DATA RATE	MAXIMUM MCLK RATE
1	LVDS 10-bit 5pair	MCLK x 21	15 MHz
2	LVDS 16-bit 5pair	MCLK x 31.5	10 MHz
3	LVDS 10-bit 3pair	MCLK x 31.5	10 MHz
4	LVDS 16-bit 3pair	MCLK x 63	5 MHz
5	LVDS 12-bit 4pair	MCLK x 31.5	10 MHz
6	CMOS 10-bit	MCLK x 9	10 MHz

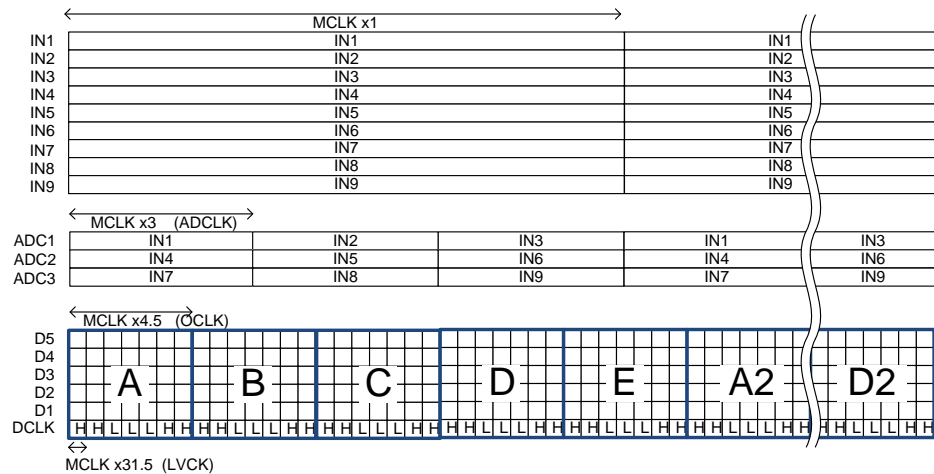
**Table 5 Output Format and Data Rate**

**LVDS 10-BIT 5PAIR MODE**


A							
D5	S0	S1	S2	IN1[0]	IN1[1]	IN1[2]	IN1[3]
D4	IN1[4]	IN1[5]	IN1[6]	IN1[7]	IN1[8]	IN1[9]	S3
D3	S4	IN2[0]	IN2[1]	IN2[2]	IN2[3]	IN2[4]	IN2[5]
D2	IN2[6]	IN2[7]	IN2[8]	IN2[9]	IN3[0]	IN3[1]	IN3[2]
D1	IN3[3]	IN3[4]	IN3[5]	IN3[6]	IN3[7]	IN3[8]	IN3[9]
DCLK	H	H	L	L	L	H	H

<b>B</b>							
D5	S0	S1	S2	IN4[0]	IN4[1]	IN4[2]	IN4[3]
D4	IN4[4]	IN4[5]	IN4[6]	IN4[7]	IN4[8]	IN4[9]	S3
D3	S4	IN5[0]	IN5[1]	IN5[2]	IN5[3]	IN5[4]	IN5[5]
D2	IN5[6]	IN5[7]	IN5[8]	IN5[9]	IN6[0]	IN6[1]	IN6[2]
D1	IN6[3]	IN6[4]	IN6[5]	IN6[6]	IN6[7]	IN6[8]	IN6[9]
DCLK	H	H	L	L	L	H	H

<b>C</b>							
D5	S0	S1	S2	IN7[0]	IN7[1]	IN7[2]	IN7[3]
D4	IN7[4]	IN7[5]	IN7[6]	IN7[7]	IN7[8]	IN7[9]	S3
D3	S4	IN8[0]	IN8[1]	IN8[2]	IN8[3]	IN8[4]	IN8[5]
D2	IN8[6]	IN8[7]	IN8[8]	IN8[9]	IN9[0]	IN9[1]	IN9[2]
D1	IN9[3]	IN9[4]	IN9[5]	IN9[6]	IN9[7]	IN9[8]	IN9[9]
DCLK	H	H	L	L	L	H	H

**Table 6 10-bit 5pair LVDS Output Format**
**LVDS 16-BIT 5PAIR MODE**


<b>A</b>							
D5	S0	S1	S2	IN1[0]	IN1[1]	IN1[2]	IN1[3]
D4	IN1[4]	IN1[5]	IN1[6]	IN1[7]	IN1[8]	IN1[9]	IN1[10]
D3	IN1[11]	IN1[12]	IN1[13]	IN1[14]	IN1[15]	IN2[0]	IN2[1]
D2	IN2[2]	IN2[3]	IN2[4]	IN2[5]	IN2[6]	IN2[7]	IN2[8]
D1	IN2[9]	IN2[10]	IN2[11]	IN2[12]	IN2[13]	IN2[14]	IN2[15]
DCLK	H	H	L	L	L	H	H

<b>B</b>							
D5	S0	S1	S2	IN[0]	IN3[1]	IN3[2]	IN3[3]
D4	IN3[4]	IN3[5]	IN3[6]	IN3[7]	IN3[8]	IN3[9]	IN3[10]
D3	IN3[11]	IN3[12]	IN3[13]	IN3[14]	IN3[15]	IN4[0]	IN4[1]
D2	IN4[2]	IN4[3]	IN4[4]	IN4[5]	IN4[6]	IN4[7]	IN4[8]
D1	IN4[9]	IN4[10]	IN4[11]	IN4[12]	IN4[13]	IN4[14]	IN4[15]
DCLK	H	H	L	L	L	H	H

<b>C</b>							
D5	S0	S1	S2	IN5[0]	IN5[1]	IN5[2]	IN5[3]
D4	IN5[4]	IN5[5]	IN5[6]	IN5[7]	IN5[8]	IN5[9]	IN5[10]
D3	IN5[11]	IN5[12]	IN5[13]	IN5[14]	IN5[15]	IN6[0]	IN6[1]
D2	IN6[2]	IN6[3]	IN6[4]	IN6[5]	IN6[6]	IN6[7]	IN6[8]
D1	IN6[9]	IN6[10]	IN6[11]	IN6[12]	IN6[13]	IN6[14]	IN6[15]
DCLK	H	H	L	L	L	H	H

<b>D</b>							
D5	S0	S1	S2	IN7[0]	IN7[1]	IN7[2]	IN7[3]
D4	IN7[4]	IN7[5]	IN7[6]	IN7[7]	IN7[8]	IN7[9]	IN7[10]
D3	IN7[11]	IN7[12]	IN7[13]	IN7[14]	IN7[15]	IN8[0]	IN8[1]
D2	IN8[2]	IN8[3]	IN8[4]	IN8[5]	IN8[6]	IN8[7]	IN8[8]
D1	IN8[9]	IN8[10]	IN8[11]	IN8[12]	IN8[13]	IN8[14]	IN8[15]
DCLK	H	H	L	L	L	H	H

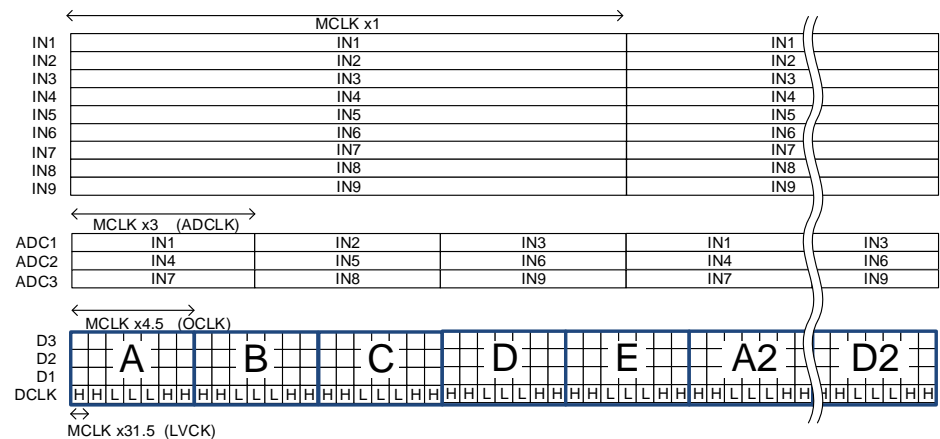
<b>E</b>							
D5	S0	S1	S2	IN9[0]	IN9[1]	IN9[2]	IN9[3]
D4	IN9[4]	IN9[5]	IN9[6]	IN9[7]	IN9[8]	IN9[9]	IN9[10]
D3	IN9[11]	IN9[12]	IN9[13]	IN9[14]	IN9[15]	IN1[0]	IN1[1]
D2	IN1[2]	IN1[3]	IN1[4]	IN1[5]	IN1[6]	IN1[7]	IN1[8]
D1	IN1[9]	IN1[10]	IN1[11]	IN1[12]	IN1[13]	IN1[14]	IN1[15]
DCLK	H	H	L	L	L	H	H

<b>A2</b>							
D5	S0	S1	S2	IN2[0]	IN2[1]	IN2[2]	IN2[3]
D4	IN2[4]	IN2[5]	IN2[6]	IN2[7]	IN2[8]	IN2[9]	IN2[10]
D3	IN2[11]	IN2[12]	IN2[13]	IN2[14]	IN2[15]	IN3[0]	IN3[1]
D2	IN3[2]	IN3[3]	IN3[4]	IN3[5]	IN3[6]	IN3[7]	IN3[8]
D1	IN3[9]	IN3[10]	IN3[11]	IN3[12]	IN3[13]	IN3[14]	IN3[15]
DCLK	H	H	L	L	L	H	H

<b>B2</b>							
D5	S0	S1	S2	IN4[0]	IN4[1]	IN4[2]	IN4[3]
D4	IN4[4]	IN4[5]	IN4[6]	IN4[7]	IN4[8]	IN4[9]	IN4[10]
D3	IN4[11]	IN4[12]	IN4[13]	IN4[14]	IN4[15]	IN5[0]	IN5[1]
D2	IN5[2]	IN5[3]	IN5[4]	IN5[5]	IN5[6]	IN5[7]	IN5[8]
D1	IN5[9]	IN5[10]	IN5[11]	IN5[12]	IN5[13]	IN5[14]	IN5[15]
DCLK	H	H	L	L	L	H	H

<b>C2</b>							
D5	S0	S1	S2	IN6[0]	IN6[1]	IN6[2]	IN6[3]
D4	IN6[4]	IN6[5]	IN6[6]	IN6[7]	IN6[8]	IN6[9]	IN6[10]
D3	IN6[11]	IN6[12]	IN6[13]	IN6[14]	IN6[15]	IN7[0]	IN7[1]
D2	IN7[2]	IN7[3]	IN7[4]	IN7[5]	IN7[6]	IN7[7]	IN7[8]
D1	IN7[9]	IN7[10]	IN7[11]	IN7[12]	IN7[13]	IN7[14]	IN7[15]
DCLK	H	H	L	L	L	H	H

<b>D2</b>							
D5	S0	S1	S2	IN8[0]	IN8[1]	IN8[2]	IN8[3]
D4	IN8[4]	IN8[5]	IN8[6]	IN8[7]	IN8[8]	IN8[9]	IN8[10]
D3	IN8[11]	IN8[12]	IN8[13]	IN8[14]	IN8[15]	IN9[0]	IN9[1]
D2	IN9[2]	IN9[3]	IN9[4]	IN9[5]	IN9[6]	IN9[7]	IN9[8]
D1	IN9[9]	IN9[10]	IN9[11]	IN9[12]	IN9[13]	IN9[14]	IN9[15]
DCLK	H	H	L	L	L	H	H

**Table 7 16-bit 5pair LVDS Output Format**
**LVDS 10-BIT 3PAIR MODE**


<b>A</b>							
D3	S0	IN1[0]	IN1[1]	IN1[2]	IN1[3]	IN1[4]	IN1[5]
D2	IN1[6]	IN1[7]	IN1[8]	IN1[9]	IN2[0]	IN2[1]	IN2[2]
D1	IN2[3]	IN2[4]	IN2[5]	IN2[6]	IN2[7]	IN2[8]	IN2[9]
DCLK	H	H	L	L	L	H	H

<b>B</b>							
D3	S0	IN3[0]	IN3[1]	IN3[2]	IN3[3]	IN3[4]	IN3[5]
D2	IN3[6]	IN3[7]	IN3[8]	IN3[9]	IN4[0]	IN4[1]	IN4[2]
D1	IN4[3]	IN4[4]	IN4[5]	IN4[6]	IN4[7]	IN4[8]	IN4[9]
DCLK	H	H	L	L	L	H	H

<b>C</b>							
D3	S0	IN5[0]	IN5[1]	IN5[2]	IN5[3]	IN5[4]	IN5[5]
D2	IN5[6]	IN5[7]	IN5[8]	IN5[9]	IN6[0]	IN6[1]	IN6[2]
D1	IN6[3]	IN6[4]	IN6[5]	IN6[6]	IN6[7]	IN6[8]	IN6[9]
DCLK	H	H	L	L	L	H	H

<b>D</b>							
D3	S0	IN7[0]	IN7[1]	IN7[2]	IN7[3]	IN7[4]	IN7[5]
D2	IN7[6]	IN7[7]	IN7[8]	IN7[9]	IN8[0]	IN8[1]	IN8[2]
D1	IN8[3]	IN8[4]	IN8[5]	IN8[6]	IN8[7]	IN8[8]	IN8[9]
DCLK	H	H	L	L	L	H	H

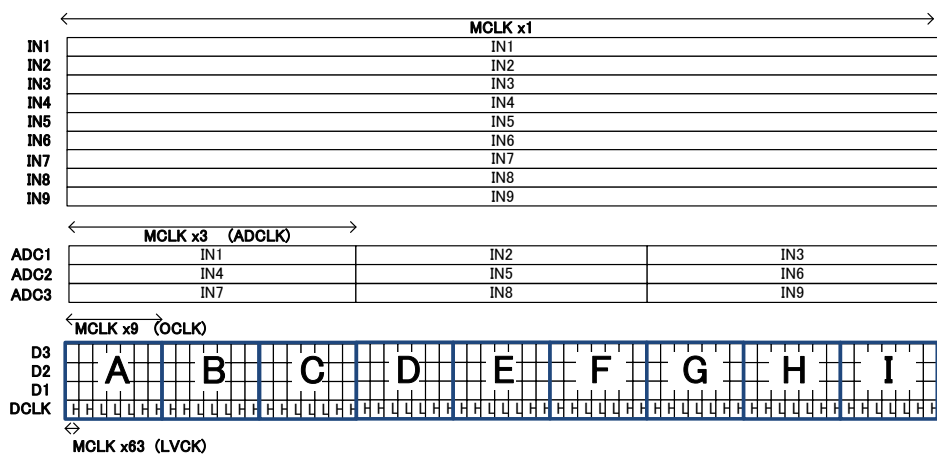
<b>E</b>							
D3	S0	IN9[0]	IN9[1]	IN9[2]	IN9[3]	IN9[4]	IN9[5]
D2	IN9[6]	IN9[7]	IN9[8]	IN9[9]	IN1[0]	IN1[1]	IN1[2]
D1	IN1[3]	IN1[4]	IN1[5]	IN1[6]	IN1[7]	IN1[8]	IN1[9]
DCLK	H	H	L	L	L	H	H

<b>A2</b>							
D3	S0	IN2[0]	IN2[1]	IN2[2]	IN2[3]	IN2[4]	IN2[5]
D2	IN2[6]	IN2[7]	IN2[8]	IN2[9]	IN3[0]	IN3[1]	IN3[2]
D1	IN3[3]	IN3[4]	IN3[5]	IN3[6]	IN3[7]	IN3[8]	IN3[9]
DCLK	H	H	L	L	L	H	H

<b>B2</b>							
D3	S0	IN4[0]	IN4[1]	IN4[2]	IN4[3]	IN4[4]	IN4[5]
D2	IN4[6]	IN4[7]	IN4[8]	IN4[9]	IN5[0]	IN5[1]	IN5[2]
D1	IN5[3]	IN5[4]	IN5[5]	IN5[6]	IN5[7]	IN5[8]	IN5[9]
DCLK	H	H	L	L	L	H	H

<b>C2</b>							
D3	S0	IN6[0]	IN6[1]	IN6[2]	IN6[3]	IN6[4]	IN6[5]
D2	IN6[6]	IN6[7]	IN6[8]	IN6[9]	IN7[0]	IN7[1]	IN7[2]
D1	IN7[3]	IN7[4]	IN7[5]	IN7[6]	IN7[7]	IN7[8]	IN7[9]
DCLK	H	H	L	L	L	H	H

<b>D2</b>							
D3	S0	IN8[0]	IN8[1]	IN8[2]	IN8[3]	IN8[4]	IN8[5]
D2	IN8[6]	IN8[7]	IN8[8]	IN8[9]	IN9[0]	IN9[1]	IN9[2]
D1	IN9[3]	IN9[4]	IN9[5]	IN9[6]	IN9[7]	IN9[8]	IN9[9]
DCLK	H	H	L	L	L	H	H

**Table 8 10-bit 3pair LVDS Output Format**
**LVDS 16-BIT 3PAIR MODE**


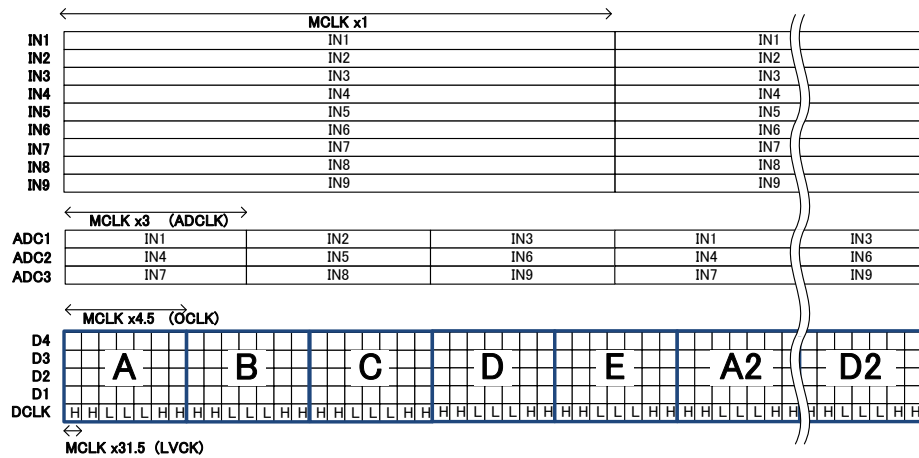
<b>A</b>							
D3	S0	S1	S2	IN1[0]	IN1[1]	IN1[2]	IN1[3]
D2	IN1[4]	IN1[5]	IN1[6]	IN1[7]	IN1[8]	IN1[9]	IN1[10]
D1	IN1[11]	IN1[12]	IN1[13]	IN1[14]	IN1[15]	S3	S4
DCLK	H	H	L	L	L	H	H

<b>B</b>							
D3	S0	S1	S2	IN2[0]	IN2[1]	IN2[2]	IN2[3]
D2	IN2[4]	IN2[5]	IN2[6]	IN2[7]	IN2[8]	IN2[9]	IN2[10]
D1	IN2[11]	IN2[12]	IN2[13]	IN2[14]	IN2[15]	S3	S4
DCLK	H	H	L	L	L	H	H

I							
D3	S0	S1	S2	IN9[0]	IN9[1]	IN9[2]	IN9[3]
D2	IN9[4]	IN9[5]	IN9[6]	IN9[7]	IN9[8]	IN9[9]	IN9[10]
D1	IN9[11]	IN9[12]	IN9[13]	IN9[14]	IN9[15]	S3	S4
DCLK	H	H	L	L	L	H	H

**Table 9 16-bit 3pair LVDS Output Format**
**Note:**

A: IN1, B:IN2, C:IN3, D:IN4, E:IN5, F:IN6, G:IN7, H:IN8, I:IN9.

**LVDS 12-BIT 4PAIR MODE**


<b>A</b>							
D4	S0	IN1[0]	IN1[1]	IN1[2]	IN1[3]	IN1[4]	IN1[5]
D3	IN1[6]	IN1[7]	IN1[8]	IN1[9]	IN1[10]	IN1[11]	S1
D2	S2	S3	IN2[0]	IN2[1]	IN2[2]	IN2[3]	IN2[4]
D1	IN2[5]	IN2[6]	IN2[7]	IN2[8]	IN2[9]	IN2[10]	IN2[11]
DCLK	H	H	L	L	L	H	H

<b>B</b>							
D4	S0	IN3[0]	IN3[1]	IN3[2]	IN3[3]	IN3[4]	IN3[5]
D3	IN3[6]	IN3[7]	IN3[8]	IN3[9]	IN3[10]	IN3[11]	S1
D2	S2	S3	IN4[0]	IN4[1]	IN4[2]	IN4[3]	IN4[4]
D1	IN4[5]	IN4[6]	IN4[7]	IN4[8]	IN4[9]	IN4[10]	IN4[11]
DCLK	H	H	L	L	L	H	H

<b>C</b>							
D4	S0	IN5[0]	IN5[1]	IN5[2]	IN5[3]	IN5[4]	IN5[5]
D3	IN5[6]	IN5[7]	IN5[8]	IN5[9]	IN5[10]	IN5[11]	S1
D2	S2	S3	IN6[0]	IN6[1]	IN6[2]	IN6[3]	IN6[4]
D1	IN6[5]	IN6[6]	IN6[7]	IN6[8]	IN6[9]	IN6[10]	IN6[11]
DCLK	H	H	L	L	L	H	H

<b>D</b>							
D4	S0	IN7[0]	IN7[1]	IN7[2]	IN7[3]	IN7[4]	IN7[5]
D3	IN7[6]	IN7[7]	IN7[8]	IN7[9]	IN7[10]	IN7[11]	S1
D2	S2	S3	IN8[0]	IN8[1]	IN8[2]	IN8[3]	IN8[4]
D1	IN8[5]	IN8[6]	IN8[7]	IN8[8]	IN8[9]	IN8[10]	IN8[11]
DCLK	H	H	L	L	L	H	H

<b>E</b>							
D4	S0	IN9[0]	IN9[1]	IN9[2]	IN9[3]	IN9[4]	IN9[5]
D3	IN9[6]	IN9[7]	IN9[8]	IN9[9]	IN9[10]	IN9[11]	S1
D2	S2	S3	IN1[0]	IN1[1]	IN1[2]	IN1[3]	IN1[4]
D1	IN1[5]	IN1[6]	IN1[7]	IN1[8]	IN1[9]	IN1[10]	IN1[11]
DCLK	H	H	L	L	L	H	H

<b>A2</b>							
D4	S0	IN2[0]	IN2[1]	IN2[2]	IN2[3]	IN2[4]	IN2[5]
D3	IN2[6]	IN2[7]	IN2[8]	IN2[9]	IN2[10]	IN2[11]	S1
D2	S2	S3	IN3[0]	IN3[1]	IN3[2]	IN3[3]	IN3[4]
D1	IN3[5]	IN3[6]	IN3[7]	IN3[8]	IN3[9]	IN3[10]	IN3[11]
DCLK	H	H	L	L	L	H	H

<b>B2</b>							
D4	S0	IN4[0]	IN4[1]	IN4[2]	IN4[3]	IN4[4]	IN4[5]
D3	IN4[6]	IN4[7]	IN4[8]	IN4[9]	IN4[10]	IN4[11]	S1
D2	S2	S3	IN5[0]	IN5[1]	IN5[2]	IN5[3]	IN5[4]
D1	IN5[5]	IN5[6]	IN5[7]	IN5[8]	IN5[9]	IN5[10]	IN5[11]
DCLK	H	H	L	L	L	H	H

<b>C2</b>							
D4	S0	IN6[0]	IN6[1]	IN6[2]	IN6[3]	IN6[4]	IN6[5]
D3	IN6[6]	IN6[7]	IN6[8]	IN6[9]	IN6[10]	IN6[11]	S1
D2	S2	S3	IN7[0]	IN7[1]	IN7[2]	IN7[3]	IN7[4]
D1	IN7[5]	IN7[6]	IN7[7]	IN7[8]	IN7[9]	IN7[10]	IN7[11]
DCLK	H	H	L	L	L	H	H



<b>D2</b>							
D4	S0	IN8[0]	IN8[1]	IN8[2]	IN8[3]	IN8[4]	IN8[5]
D3	IN8[6]	IN8[7]	IN8[8]	IN8[9]	IN8[10]	IN8[11]	S1
D2	S2	S3	IN9[0]	IN9[1]	IN9[2]	IN9[3]	IN9[4]
D1	IN9[5]	IN9[6]	IN9[7]	IN9[8]	IN9[9]	IN9[10]	IN9[11]
DCLK	H	H	L	L	L	H	H

**Table 10 12-bit 4pair LVDS Output Format**
**LVDS DATA OUTPUT ORDER**

The WM8235 can be presented 2 types of LVDS data output order, Ascending order mode and Descending order mode as the following.

Ascending Order Mode								Descending Order Mode							
<b>10bit 5pair mode</b>								<b>10bit 5pair mode</b>							
D5	S0	S1	S2	IN1[0]	IN1[1]	IN1[2]	IN1[3]	D5	S4	S3	S2	IN1[9]	IN1[8]	IN1[7]	IN1[6]
D4	IN1[4]	IN1[5]	IN1[6]	IN1[7]	IN1[8]	IN1[9]	S3	D4	IN1[5]	IN1[4]	IN1[3]	IN1[2]	IN1[1]	IN1[0]	S1
D3	S4	IN2[0]	IN2[1]	IN2[2]	IN2[3]	IN2[4]	IN2[5]	D3	S0	IN2[9]	IN2[8]	IN2[7]	IN2[6]	IN2[5]	IN2[4]
D2	IN2[6]	IN2[7]	IN2[8]	IN2[9]	IN3[0]	IN3[1]	IN3[2]	D2	IN2[3]	IN2[2]	IN2[1]	IN2[0]	IN3[9]	IN3[8]	IN3[7]
D1	IN3[3]	IN3[4]	IN3[5]	IN3[6]	IN3[7]	IN3[8]	IN3[9]	D1	IN3[6]	IN3[5]	IN3[4]	IN3[3]	IN3[2]	IN3[1]	IN3[0]
DCLK	H	H	L	L	L	H	H	DCLK	H	H	L	L	L	H	H
<b>16bit 5pair mode</b>								<b>16bit 5pair mode</b>							
D5	S0	S1	S2	IN1[0]	IN1[1]	IN1[2]	IN1[3]	D5	S2	S1	S0	IN1[15]	IN1[14]	IN1[13]	IN1[12]
D4	IN1[4]	IN1[5]	IN1[6]	IN1[7]	IN1[8]	IN1[9]	IN1[10]	D4	IN1[11]	IN1[10]	IN1[9]	IN1[8]	IN1[7]	IN1[6]	IN1[5]
D3	IN1[11]	IN1[12]	IN1[13]	IN1[14]	IN1[15]	IN2[0]	IN2[1]	D3	IN1[4]	IN1[3]	IN1[2]	IN1[1]	IN1[0]	IN2[15]	IN2[14]
D2	IN2[2]	IN2[3]	IN2[4]	IN2[5]	IN2[6]	IN2[7]	IN2[8]	D2	IN2[13]	IN2[12]	IN2[11]	IN2[10]	IN2[9]	IN2[8]	IN2[7]
D1	IN2[9]	IN2[10]	IN2[11]	IN2[12]	IN2[13]	IN2[14]	IN2[15]	D1	IN2[6]	IN2[5]	IN2[4]	IN2[3]	IN2[2]	IN2[1]	IN2[0]
DCLK	H	H	L	L	L	H	H	DCLK	H	H	L	L	L	H	H
<b>10bit 3pair mode</b>								<b>10bit 3pair mode</b>							
D3	S0	IN1[0]	IN1[1]	IN1[2]	IN1[3]	IN1[4]	IN1[5]	D3	S0	IN1[9]	IN1[8]	IN1[7]	IN1[6]	IN1[5]	IN1[4]
D2	IN1[6]	IN1[7]	IN1[8]	IN1[9]	IN2[0]	IN2[1]	IN2[2]	D2	IN1[3]	IN1[2]	IN1[1]	IN1[0]	IN2[9]	IN2[8]	IN2[7]
D1	IN2[3]	IN2[4]	IN2[5]	IN2[6]	IN2[7]	IN2[8]	IN2[9]	D1	IN2[6]	IN2[5]	IN2[4]	IN2[3]	IN2[2]	IN2[1]	IN2[0]
DCLK	H	H	L	L	L	H	H	DCLK	H	H	L	L	L	H	H
<b>16bit 3pair mode</b>								<b>16bit 3pair mode</b>							
D3	S0	S1	S2	IN1[0]	IN1[1]	IN1[2]	IN1[3]	D3	S4	S3	S2	IN1[15]	IN1[14]	IN1[13]	IN1[12]
D2	IN1[4]	IN1[5]	IN1[6]	IN1[7]	IN1[8]	IN1[9]	IN1[10]	D2	IN1[11]	IN1[10]	IN1[9]	IN1[8]	IN1[7]	IN1[6]	IN1[5]
D1	IN1[11]	IN1[12]	IN1[13]	IN1[14]	IN1[15]	S3	S4	D1	IN1[4]	IN1[3]	IN1[2]	IN1[1]	IN1[0]	S1	S0
DCLK	H	H	L	L	L	H	H	DCLK	H	H	L	L	L	H	H
<b>12bit 4pair mode</b>								<b>12bit 4pair mode</b>							
D4	S0	IN1[0]	IN1[1]	IN1[2]	IN1[3]	IN1[4]	IN1[5]	D4	S3	IN1[11]	IN1[10]	IN1[9]	IN1[8]	IN1[7]	IN1[6]
D3	IN1[6]	IN1[7]	IN1[8]	IN1[9]	IN1[10]	IN1[11]	S1	D3	IN1[5]	IN1[4]	IN1[3]	IN1[2]	IN1[1]	IN1[0]	S2
D2	S2	S3	IN2[0]	IN2[1]	IN2[2]	IN2[3]	IN2[4]	D2	S1	S0	IN2[11]	IN2[10]	IN2[9]	IN2[8]	IN2[7]
D1	IN2[5]	IN2[6]	IN2[7]	IN2[8]	IN2[9]	IN2[10]	IN2[11]	D1	IN2[6]	IN2[5]	IN2[4]	IN2[3]	IN2[2]	IN2[1]	IN2[0]
DCLK	H	H	L	L	L	H	H	DCLK	H	H	L	L	L	H	H

REGISTER ADDRESS	BIT	LABEL	DEFAULT	DESCRIPTION
R7 (07h) output control	3	LVDSORDER	0	control LVDS data output order 0 = descending order 1 = ascending order

### LVDS SYNCHRONOUS OUTPUT

The LVDS synchronous output function can be used in LVDS 16-bit 5pair mode, 10-bit 3pair mode and 12-bit 4 pair mode. In these LVDS output mode, the output data packet cycle is not same as MCLK clock period, so that the output data at pixel counter = 0 will not be same format when the line length is odd number.

If OUTSYNC = 1, the LVDS output format will be synchronized to pixel counter = 0.

When the line length is even number, the output data at pixel counter = 0 will be always same format, so that the OUTSYNC is invalid. Also, the OUTSYNC is invalid in other LVDS and CMOS format. The following shows detailed information of this mode.

#### Odd number line length

In odd number line length operation, the output data at pixel counter = 0 will not be same format as shown in Figure 17. When set the OUTSYNC register, the LVDS output format will be synchronized to pixel counter = 0 as shown in Figure 18 below.

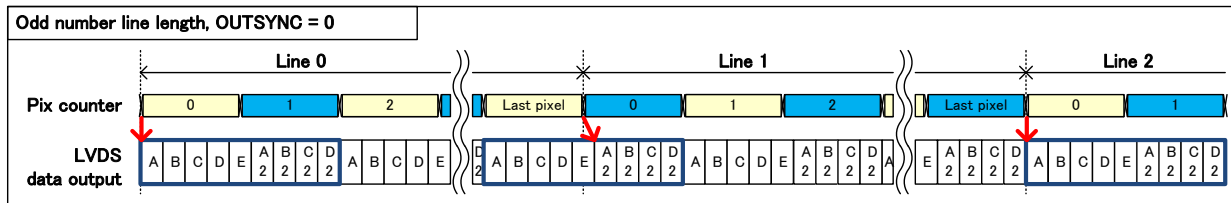


Figure 17 LVDS output data cycle (odd number line length, OUTSYNC=0)

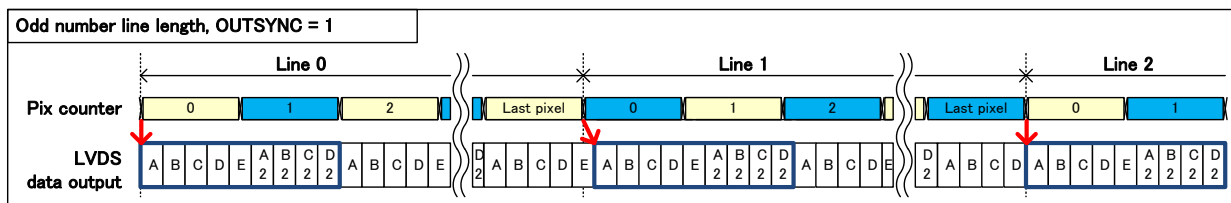


Figure 18 LVDS output data cycle (odd number line length, OUTSYNC=1)

#### Even number line length

When the line length is even number, the output data at pixel counter = 0 will be always same format, so that the OUTSYNC is invalid.

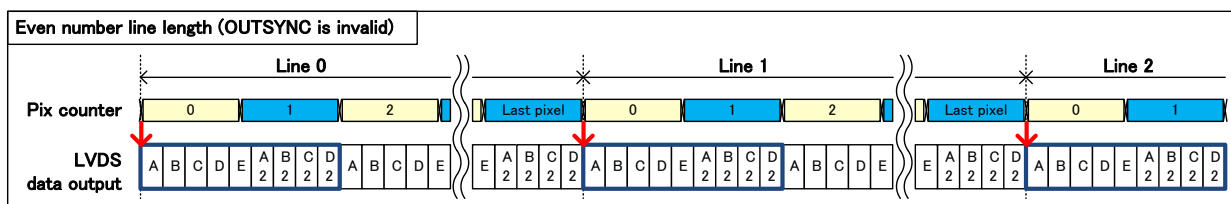
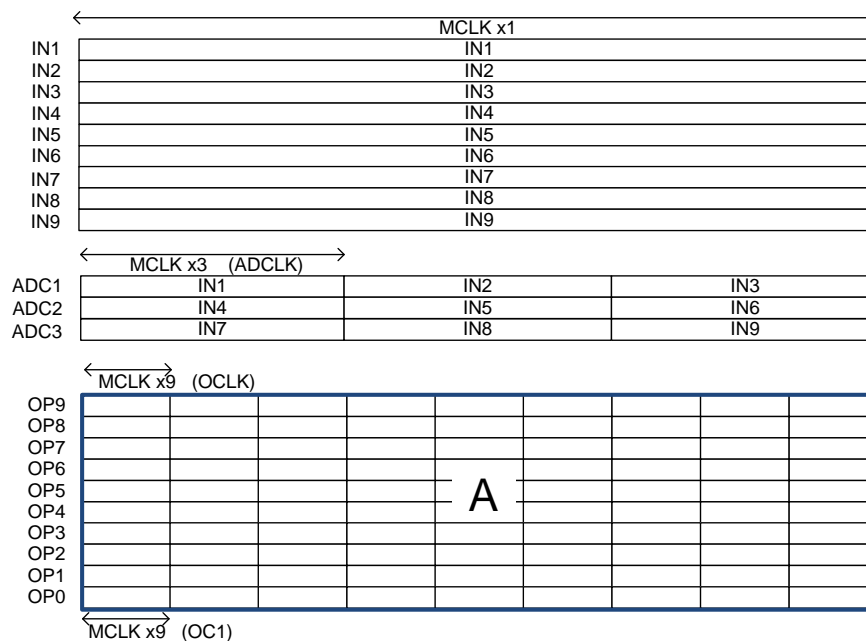


Figure 19 LVDS output data cycle (even number line length)

**CMOS OUTPUT MODE**


A									
OP9	IN1[9]	IN2[9]	IN3[9]	IN4[9]	IN5[9]	IN6[9]	IN7[9]	IN8[9]	IN9[9]
OP8	IN1[8]	IN2[8]	IN3[8]	IN4[8]	IN5[8]	IN6[8]	IN7[8]	IN8[8]	IN9[8]
OP7	IN1[7]	IN2[7]	IN3[7]	IN4[7]	IN5[7]	IN6[7]	IN7[7]	IN8[7]	IN9[7]
OP6	IN1[6]	IN2[6]	IN3[6]	IN4[6]	IN5[6]	IN6[6]	IN7[6]	IN8[6]	IN9[6]
OP5	IN1[5]	IN2[5]	IN3[5]	IN4[5]	IN5[5]	IN6[5]	IN7[5]	IN8[5]	IN9[5]
OP4	IN1[4]	IN2[4]	IN3[4]	IN4[4]	IN5[4]	IN6[4]	IN7[4]	IN8[4]	IN9[4]
OP3	IN1[3]	IN2[3]	IN3[3]	IN4[3]	IN5[3]	IN6[3]	IN7[3]	IN8[3]	IN9[3]
OP2	IN1[2]	IN2[2]	IN3[2]	IN4[2]	IN5[2]	IN6[2]	IN7[2]	IN8[2]	IN9[2]
OP1	IN1[1]	IN2[1]	IN3[1]	IN4[1]	IN5[1]	IN6[1]	IN7[1]	IN8[1]	IN9[1]
OP0	IN1[0]	IN2[0]	IN3[0]	IN4[0]	IN5[0]	IN6[0]	IN7[0]	IN8[0]	IN9[0]

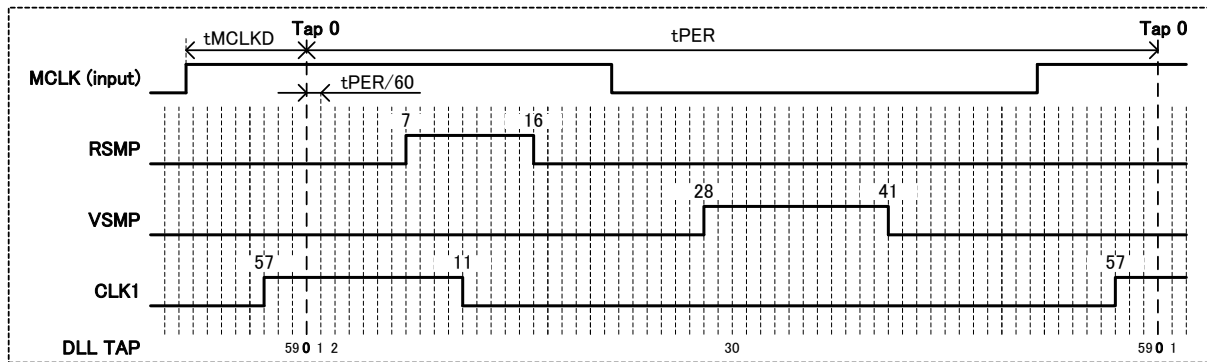
**Table 11 10-bit CMOS Output Format**
**CLOCK TIMING CONFIGURATION**

The RSMP signal, VSMP signal and clock output from CLK pin are generated internally by 60 tap DLL circuit. The rising and falling timing of each clock is set by DLL tap setting. The following setting and timing chart shows example configuration for RSMP, VSMP and CLK1.

**RSMP:** 0x82(RSMP\_RISE)=0x07(dec7), 0x83(RSMP\_FALL)=0x10(dec16)

**VSMP:** 0x84(VSMP\_RISE)=0x1C(dec28), 0x85(VSMP\_FALL)=0x29(dec41)

**CLK1:** 0x87(CLK1\_RISE)=0x39(dec57), 0x88(CLK1\_FALL)=0x0B(dec11)



**Figure 20** Example of Clock Timing configuration

REGISTER ADDRESS	BIT	LABEL	DEFAULT	DESCRIPTION
R130 (82h) RSMP rise	5:0	RSMP_RISE [5:0]	01_1100	RSMP rise edge
R131 (83h) RSMP fall	5:0	RSMP_FALL [5:0]	10_0110	RSMP fall edge
R132 (84h) VSMP rise	5:0	VSMP_RISE [5:0]	00_0000	VSMP rise edge
R133 (85h) VSMP fall	5:0	VSMP_FALL [5:0]	00_1000	VSMP fall edge
R134 (86h) TGCKO rise	5:0	TCLKO_RISE [5:0]	11_0111	TCLKO rise edge
R135 (87h) CLK1 rise	5:0	CLK1_RISE[5:0]	00_1010	CLK1 rise edge
R136 (88h) CLK1 fall	5:0	CLK1_FALL[5:0]	01_1001	CLK1 fall edge
R137 (89h) CLK2 rise	5:0	CLK2_RISE[5:0]	01_1001	CLK2 rise edge
R138 (8Ah) CLK2fall	5:0	CLK2_FALL[5:0]	10_1000	CLK2 fall edge
R139 (8Bh) CLK3 rise	5:0	CLK3_RISE[5:0]	10_1000	CLK3 rise edge
R140 (8Ch) CLK3 fall	5:0	CLK3_FALL[5:0]	00_1010	CLK3 fall edge
R141 (8Dh) CLK4 rise	5:0	CLK4_RISE[5:0]	00_0000	CLK4 rise edge
R142 (8Eh) CK4 fall	5:0	CK4_FALL[5:0]	00_0000	CK4 fall edge
R143 (8Fh) CLK5 rise	5:0	CLK5_RISE[5:0]	00_1010	CLK5 rise edge
R144 (90h) CLK5 fall	5:0	CLK5_FALL[5:0]	10_1000	CLK5 fall edge
R145 (91h) CLK6 rise	5:0	CLK6_RISE[5:0]	00_1010	CLK6 rise edge
R146 (92h) CLK6 fall	5:0	CLK6_FALL[5:0]	10_1000	CLK6 fall edge

## SENSOR TIMING GENERATION

WM8235 provide two types of clock internally. C\_CK\* are high speed clocks, these clocks can set the clock phase by using fine pitch phase control. P\_CK\* are pixel rate signals which is selected by PO0 to PO7. WM8235 has eleven TG outputs pins. CLK1 is for clock type use only. CLK2, CLK3, CLK4, CLK5 and CLK6 are selectable high speed type signal or pulse type signal. CLK7 and CLK8 are pulse type use only.

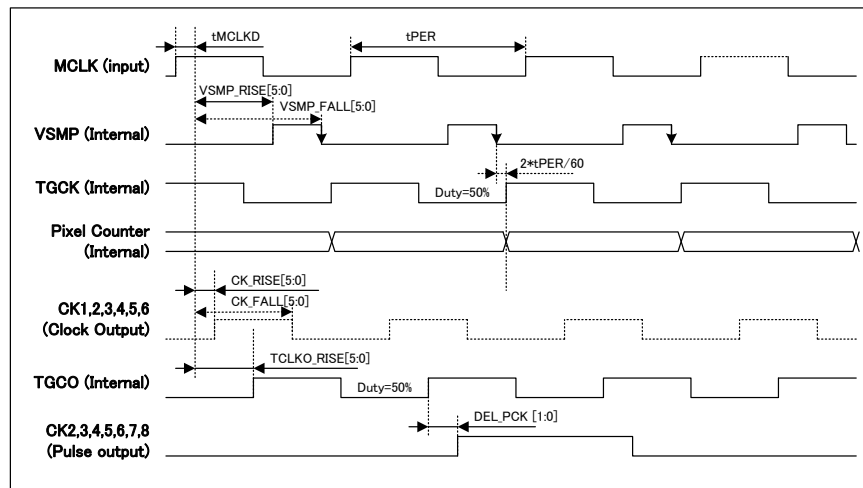
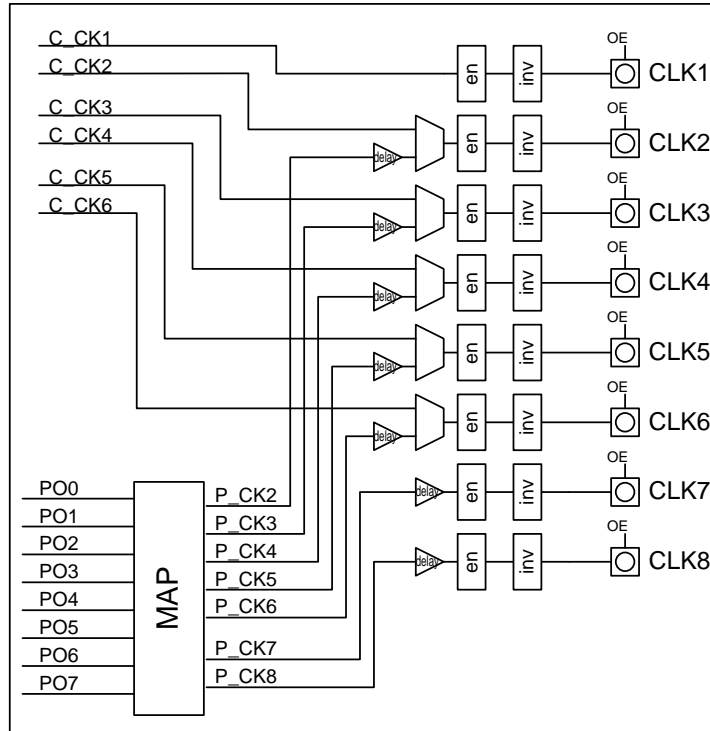


Figure 21 TG Output Timing

REGISTER ADDRESS	BIT	LABEL	DEFAULT	DESCRIPTION
R176 (B0h) – R177 (B1h)	5:0	DEL_PCK*[1:0]	00	control delay for pulse output 00 = 0nsec, 01 = 1nsec, 10 = 2nsec, 11 = 3nsec
R135 (81h)	5:0	CLK*_RISE[5:0]		CLK* rise edge (0 to 59)
– R146 (92h)	5:0	CLK*_FALL[5:0]		CLK* fall edge (0 to 59)

### TG MASTER MODE OPERATION

In master mode, line length is defined by LLENGTH register.

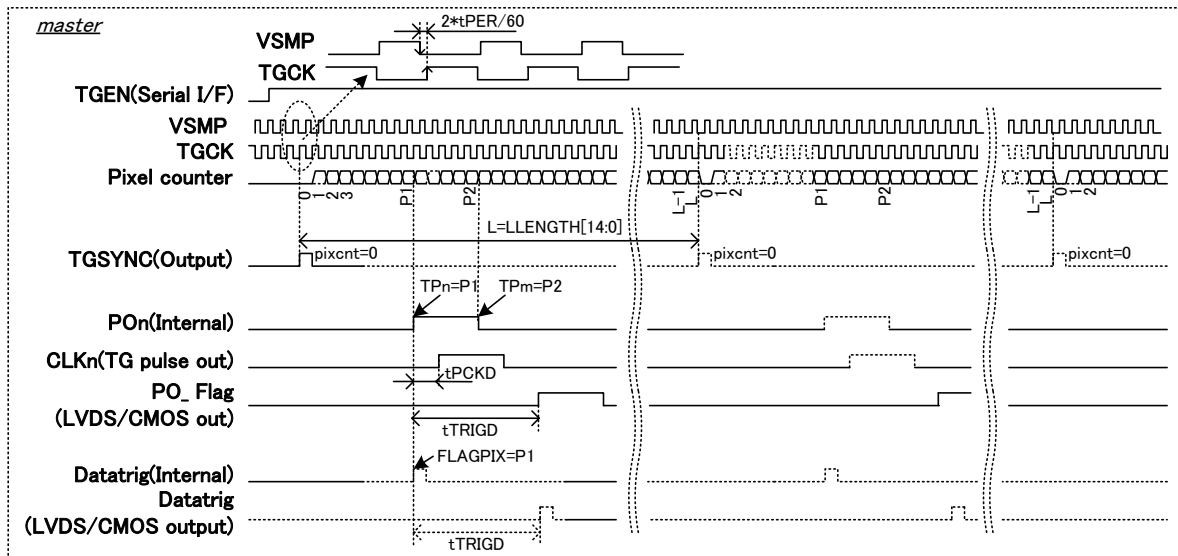


Figure 22 Master Mode Pixel Counter and Line Start Timing

### TG SLAVE MODE OPERATION

In slave mode, line length depends on TGSYNC input. The pixel counter is reset by TGSYNC input.

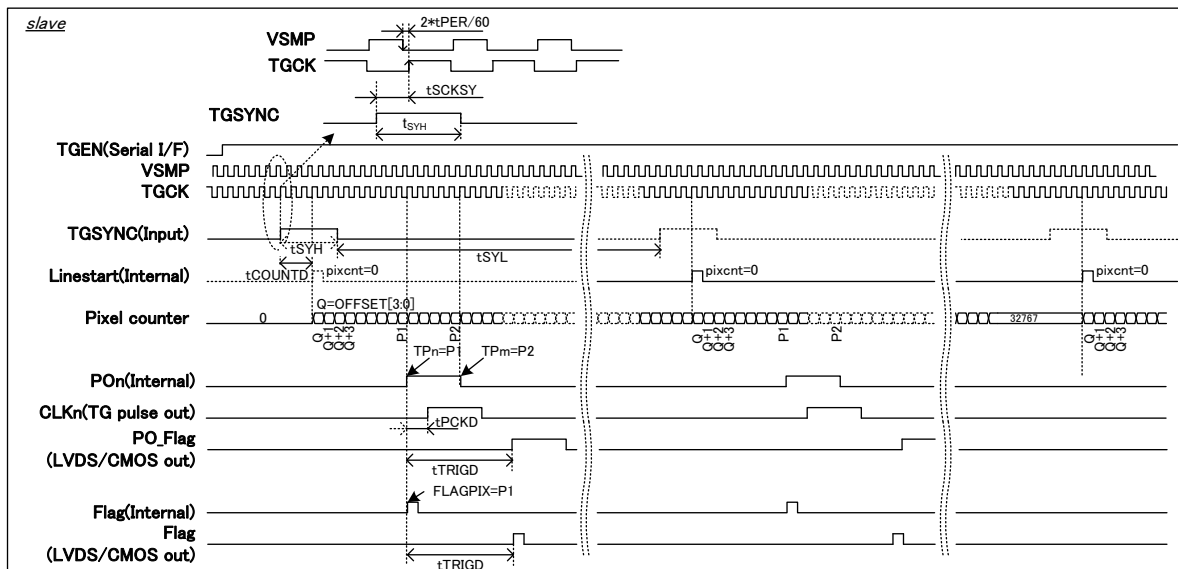


Figure 23 Slave Mode Pixel Counter and Line Start Timing

### Test Conditions

AVDD = LDOVDD = DBVDD = 3.3V, AGND = LDOGND = DBGND = 0V, T<sub>A</sub> = 25°C, unless otherwise stated.

PARAMETER	SYMBOL	TEST CONDITIONS	MIN	TYP	MAX	UNITS
TGSYNC Setup time (only for slave mode)	t <sub>SCKSY</sub>		t <sub>PER</sub> / 4	t <sub>PER</sub> / 2	3 * t <sub>PER</sub> / 4	ns
Pixel counter start timing (only for slave mode)	t <sub>COUNTD</sub>			2		clock
TGSYNC high period (only for slave mode)	t <sub>SYH</sub>		1			clock
TGSYNC low period (only for slave mode)	t <sub>SYL</sub>		1			clock
Data trigger timing delay	t <sub>TRIGD</sub>	LVDS 10-bit 5pair mode		11		clock
		Other output mode		10		clock
TG pulse output timing delay	t <sub>PCKD</sub>			2		clock

### Note:

1clock = t<sub>PER</sub> (MCLK cycle period)

REGISTER ADDRESS	BIT	LABEL	DEFAULT	DESCRIPTION
R160 (A0h)	7:4	OFFSET[3:0]	0000	offset count (only for slave mode)
	2	POLSYNC	0	polarity of Sync signal 0 = positive edge, 1 = negative edge
	1	TGMD	0	TG operation mode 0 = slave, 1 = master
	0	TG_EN	0	TG enable 0 = disable, 1 = enable
R161 (A1h)	7:0	LLENGTH[7:0]	0000_0000	the number of pixels in 1line (only for master mode)
R162 (A2h)	6:0	LLENGTH[6:0]	000_0000	the number of pixels in 1line (only for master mode)

### TG PULSE AND TRIGGER DATA

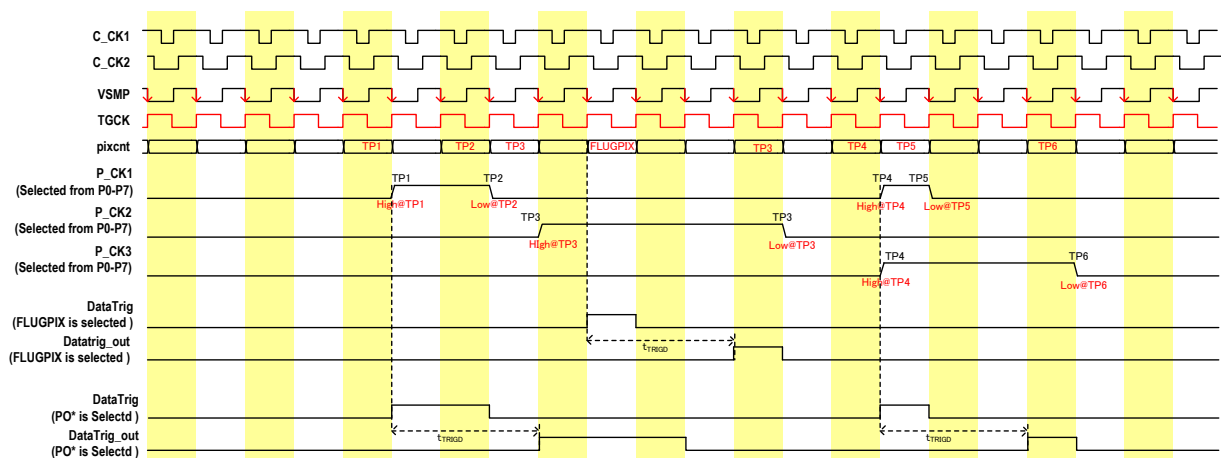


Figure 24 TG Pulse Toggle Setting and Data Trigger Timing

### TG PULSE

WM8235 can be generated 8 TG pulse internally (PO0 – PO7). These pulses are generated by toggle point setting register (TP\*) and polarity setting register (POL\*\_PO\*). WM8235 provided up to 32 toggle point by using TP0 to TP31. PO0-PO7 signals can be assigned to CLK2-CLK8 by SEL\_PCK\* and SEL\_CLK\* register.

### TRIGGER DATA

WM8235 can implement trigger data in LVDS flag data (S0, S1, S2, S3 and S4). This can be selected from two methods. One is FLAGPIX register, this can be set one pixel by each line. The other is to apply PO\* pulse. Figure 24 shows the trigger data implementation timing.

### CHANNEL ID

Also WM8235 can implement channel identification data instead of trigger data. Table 12 shows the matrix of input channel and channel ID.

	ID[3]	ID[2]	ID[1]	ID[0]
IN1	0	0	0	1
IN2	0	0	1	0
IN3	0	0	1	1
IN4	0	1	0	0
IN5	0	1	0	1
IN6	0	1	1	0
IN7	0	1	1	1
IN8	1	0	0	0
IN9	1	0	0	1

**Table 12 Channel ID**

Channel ID can be assigned to flag data (S0, S1, S2, S3 or S4). The following is the example of channel ID assignment.

Example: Assigned channel ID to flag data as ID[3]=S0, ID[2]=S1, ID[1]=S2, ID[0]=S3.

If output data is as follows, channel ID will be IN1. (i.e. ID[3]=S0=0, ID[2]=S1=0, ID[1]=S2=0, ID[0]=S3=1)

A							
D5	S0	S1	S2	IN1[0]	IN1[1]	IN1[2]	IN1[3]
D4	IN1[4]	IN1[5]	IN1[6]	IN1[7]	IN1[8]	IN1[9]	S3
D3	S4	IN2[0]	IN2[1]	IN2[2]	IN2[3]	IN2[4]	IN2[5]
D2	IN2[6]	IN2[7]	IN2[8]	IN2[9]	IN3[0]	IN3[1]	IN3[2]
D1	IN3[3]	IN3[4]	IN3[5]	IN3[6]	IN3[7]	IN3[8]	IN3[9]
DCLK	H	H	L	L	L	H	H



**Channel ID Setting Limitation**

There are some notices to assign channel ID. It's depending on LVDS output format. (refer to OUTPUT DATA FORMAT)

**4) 10-bit 5pair mode LVDS output**

In this mode, channel ID will be IN1, IN4 or IN7 only.

Case-1 ID indicate IN1

<b>A</b>							
D5	S0	S1	S2	IN1[0]	IN1[1]	IN1[2]	IN1[3]
D4	IN1[4]	IN1[5]	IN1[6]	IN1[7]	IN1[8]	IN1[9]	S3
D3	S4	IN2[0]	IN2[1]	IN2[2]	IN2[3]	IN2[4]	IN2[5]
D2	IN2[6]	IN2[7]	IN2[8]	IN2[9]	IN3[0]	IN3[1]	IN3[2]
D1	IN3[3]	IN3[4]	IN3[5]	IN3[6]	IN3[7]	IN3[8]	IN3[9]
DCLK	H	H	L	L	L	H	H

Case-2 ID indicate IN4

<b>B</b>							
D5	S0	S1	S2	IN4[0]	IN4[1]	IN4[2]	IN4[3]
D4	IN4[4]	IN4[5]	IN4[6]	IN4[7]	IN4[8]	IN4[9]	S3
D3	S4	IN5[0]	IN5[1]	IN5[2]	IN5[3]	IN5[4]	IN5[5]
D2	IN5[6]	IN5[7]	IN5[8]	IN5[9]	IN6[0]	IN6[1]	IN6[2]
D1	IN6[3]	IN6[4]	IN6[5]	IN6[6]	IN6[7]	IN6[8]	IN6[9]
DCLK	H	H	L	L	L	H	H

Case-3 ID indicate IN7

<b>C</b>							
D5	S0	S1	S2	IN7[0]	IN7[1]	IN7[2]	IN7[3]
D4	IN7[4]	IN7[5]	IN7[6]	IN7[7]	IN7[8]	IN7[9]	S3
D3	S4	IN8[0]	IN8[1]	IN8[2]	IN8[3]	IN8[4]	IN8[5]
D2	IN8[6]	IN8[7]	IN8[8]	IN8[9]	IN9[0]	IN9[1]	IN9[2]
D1	IN9[3]	IN9[4]	IN9[5]	IN9[6]	IN9[7]	IN9[8]	IN9[9]
DCLK	H	H	L	L	L	H	H

**2) 16-bit 5pair mode LVDS output**

This mode has only three data flags as S0, S1 and S2. Therefore it cannot assign all channel ID to data flags.

A							
D5	S0	S1	S2	IN1[0]	IN1[1]	IN1[2]	IN1[3]
D4	IN1[4]	IN1[5]	IN1[6]	IN1[7]	IN1[8]	IN1[9]	IN1[10]
D3	IN1[11]	IN1[12]	IN1[13]	IN1[14]	IN1[15]	IN2[0]	IN2[1]
D2	IN2[2]	IN2[3]	IN2[4]	IN2[5]	IN2[6]	IN2[7]	IN2[8]
D1	IN2[9]	IN2[10]	IN2[11]	IN2[12]	IN2[13]	IN2[14]	IN2[15]
DCLK	H	H	L	L	L	H	H

REGISTER ADDRESS	BIT	LABEL	DEFAULT	DESCRIPTION
R171 (ABh) - R175 (Afh)		SEL_PCK*	000	pulse mapping control for CLK* 000 = PO1, 001 = PO2, 010 = PO3, 011 = PO4 100 = PO5, 101 = PO6, 110 = PO7, 111 = PO8
		SEL_CLK*	0	mapping control 0 = output clock, 1 = output pulse
R208 (D0h) - R270 (10Eh)	7	EN_TP*	0	enable toggle point 0 = disable and subsequent toggle point 1 = enable toggle point
	6:0	TP*		pixel count of toggle point
R271 (10Fh) - R310 (136h)		POL*_PO*		polarity of PO* pulse at TP*
R163 (A3h)	7:0	FLAGPIX[7:0]	0000_0000	flag pixel
R164 (A4h)	6:0	FLAGPIX[6:0]	000_0000	flag pixel
R180 (B4h)	3:0	SEL_FLAG[3:0]	0000	select signal to be output as datatrig 0xxx = flagpix, 1000 = PO0, 1001 = PO1, 1010 = PO2, 1011 = PO3, 1100 = PO4, 1101 = PO5, 1110 = PO6 1111 = PO7
R10 (0Ah)	7:4	FLAG_S1[3:0]	0001	output dataflag as S1 (valid only LVDS mode) 0000 = always low, 0001 = start flag 0010 = reserved, 0011 = reserved, 0100 = reserved 0101 = channel ID[0], 0110 = channel ID[1], 0111 = channel ID[2], 1000 = channel ID[3] 1001 = reserved, 1010 = reserved, 1011 = reserved, 1100 = reserved, 1101 = reserved, 1110 = reserved 1111 = always high
	3:0	FLAG_S0[3:0]	0000	output dataflag as S0 (valid only LVDS mode) 0000 = always low, 0001 = start flag 0010 = reserved, 0011 = reserved, 0100 = reserved 0101 = channel ID[0], 0110 = channel ID[1], 0111 = channel ID[2], 1000 = channel ID[3] 1001 = reserved, 1010 = reserved, 1011 = reserved, 1100 = reserved, 1101 = reserved, 1110 = reserved 1111 = always high
R11 (0Bh)	7:4	FLAG_S3[3:0]	0001	output dataflag as S3 (valid only LVDS mode) 0000 = always low, 0001 = start flag

REGISTER ADDRESS	BIT	LABEL	DEFAULT	DESCRIPTION
				0010 = reserved, 0011 = reserved, 0100 = reserved 0101 = channel ID[0], 0110 = channel ID[1], 0111 = channel ID[2], 1000 = channel ID[3] 1001 = reserved, 1010 = reserved, 1011 = reserved, 1100 = reserved, 1101 = reserved, 1110 = reserved 1111 = always high
	3:0	FLAG_S2[3:0]	0000	output dataflag as S2 (valid only LVDS mode) 0000 = always low, 0001 = start flag 0010 = reserved, 0011 = reserved, 0100 = reserved 0101 = channel ID[0], 0110 = channel ID[1], 0111 = channel ID[2], 1000 = channel ID[3] 1001 = reserved, 1010 = reserved, 1011 = reserved, 1100 = reserved, 1101 = reserved, 1110 = reserved 1111 = always high
R12 (0Ch)	3:0	FLAG_S4[3:0]	0000	output dataflag as S4 (valid only LVDS mode) 0000 = always low, 0001 = start flag 0010 = reserved, 0011 = reserved, 0100 = reserved 0101 = channel ID[0], 0110 = channel ID[1], 0111 = channel ID[2], 1000 = channel ID[3] 1001 = reserved, 1010 = reserved, 1011 = reserved, 1100 = reserved, 1101 = reserved, 1110 = reserved 1111 = always high

### TG MASK TIMING

The WM8235 has TG clock mask function. M1, M2 and M3 pulse specifies the mask period; T1 and T2 pulses are used for changing the signal polarity during the mask period. C\_CHK1 and C\_CHK2 are applied to the M pulse only; they cannot be applied to the T pulse. C\_CHK3 and C\_CHK4 are applied to M1 and T1; C\_CHK5 and C\_CHK6 are applied to M2 and T2. The mask timing is synchronized with TGCKO rise edge.

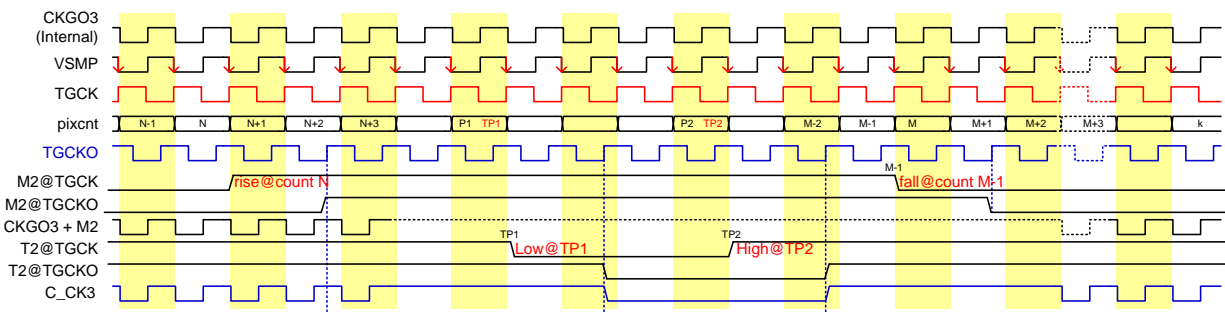


Figure 25 TG Mask Timing

TG CLOCK	APPLIED "M" PULSE	APPLIED "T" PULSE
C_CHK1 C_CHK2	M3	none
C_CHK3 C_CHK4	M1	T1
C_CHK5 C_CHK6	M2	T2

REGISTER ADDRESS	BIT	LABEL	DEFAULT	DESCRIPTION
R195 (C3h)	7:0	M1_RISE[7:0]	0000_0000	M1 pulse rise count (mask start)
R196 (C4h)	6:0	M1_RISE[6:0]	000_0000	M1 pulse rise count (mask start)
R197 (C5h)	7:0	M1_FALL[7:0]	0000_0000	M1 pulse fall count (mask end)
R198 (C6h)	6:0	M1_FALL[6:0]	000_0000	M1 pulse fall count (mask end)
R199 (C7h)	7:0	M2_RISE[7:0]	0000_0000	M2 pulse rise count (mask start)
R200 (C8h)	6:0	M2_RISE[6:0]	000_0000	M2 pulse rise count (mask start)
R201 (C9h)	7:0	M2_FALL[7:0]	0000_0000	M2 pulse fall count (mask end)
R202 (Cah)	6:0	M2_FALL[6:0]	000_0000	M2 pulse fall count (mask end)
R203 (CBh)	7:0	M3_RISE[7:0]	0000_0000	M3 pulse rise count (mask start)
R204 (CCh)	6:0	M3_RISE[6:0]	000_0000	M3 pulse rise count (mask start)
R205 (CDh)	7:0	M3_FALL[7:0]	0000_0000	M3 pulse fall count (mask end)
R206 (Ceh)	6:0	M3_FALL[6:0]	000_0000	M3 pulse fall count (mask end)
R271 (010Fh)	7:0	POL*_T1	1111_1111	polarity of T1 pulse at TP*
- R278 (116h)	7:0	POL*_T2	1111_1111	polarity of T2 pulse at TP*

### TG CYCLE MODE

TG cycle mode can be set the different TG pulse line by line. This mode is for slave mode only.

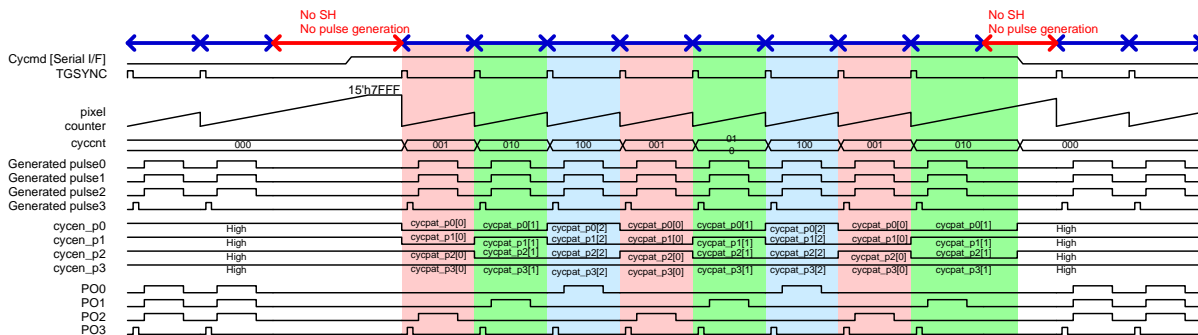
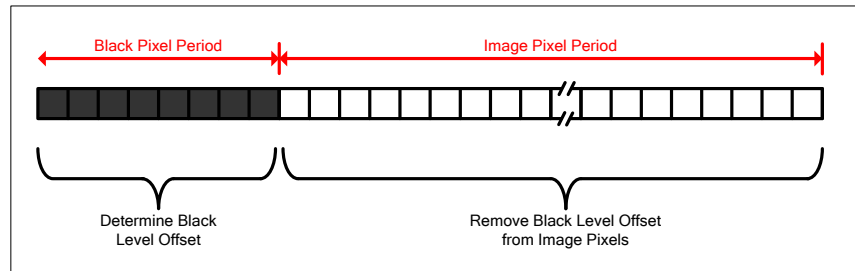


Figure 26 TG Cycle Mode

REGISTER ADDRESS	BIT	LABEL	DEFAULT	DESCRIPTION
R160 (A0h)	3	CYCMD	0	cycle mode enable 0 = normal (same operation at every line) 1 = cycle mode
R181 (B5h) - R184 (B8h)		CYCPAT_PO*[2:0]	000	PO* cycle mode control [0] = pulse enable at cycle-1 [1] = pulse enable at cycle-2 [2] = pulse enable at cycle-3

## PROGRAMMABLE AUTOMATIC BLACK LEVEL CALIBRATION (BLC)

The Programmable Automatic Black-Level Calibration (BLC) function is to adjust the D.C. offset of the output data such that the digital output code for black pixels is calibrated to a target black level value. The D.C. offset is determined during the optically-black pixels at the beginning of the linear sensor and removed during the image-pixels as shown in Figure 27.

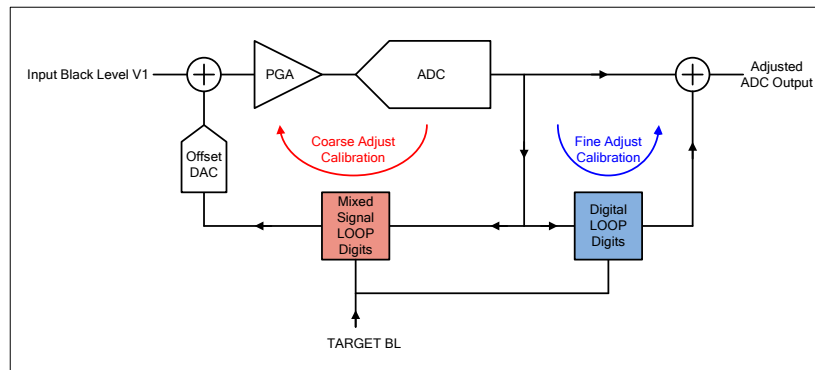


**Figure 27 Linear Sensor Model**

The automatic black level calibration operates assuming 12-bits ADC resolution. Adjustments to calculations must be made for different ADC resolutions.

The black level calibration process occurs in two stages as shown in Figure 28 below:

- **Coarse Adjust Calibration** – This is a mixed signal loop which removes the coarse offset by adjusting the offset DAC.
- **Fine Adjust Calibration** – This is a digital loop which removes the remaining offset with better noise tolerance, utilising ADC over-range to improve the dynamic range of the system.



**Figure 28 BLC Top-Level Circuitry**

### TARGET CODES

The user must specify a target black level for each channel through the registers TARGETINP\*. If, during the black-pixel period, the average ADC output code was, for example, 100 and the user specified the target black level code to be 10, the BLC circuitry would determine 90 codes should be subtracted from the ADC output. These 90 codes will then be subtracted from every image-pixel code output from the ADC.

**Note:** Changing the PGA gain affects the black-level through the device; the gain should therefore not be changed during a BLC procedure. If the PGA gain changes, then the BLC routine should be re-run.

The automatic black level calibration feature operates with the assumption of a 12-bit ADC resolution. The register settings for Target Codes (TARGETINP\*) should be set differently depending on the ADC

resolution being used. As TARGETINP\* is an 8 bit register, the 4 MSBs of a data output code cannot be changed.

**16-bit ADC Resolution**

For 16-bit resolution the target code entered into TARGETINP\* will ignore the 4 MSBs and 4 LSBs of the 16-bit data output. For example if the desired code out is 0000111111110001, the value entered into TARGETINP\* would be 11111111.

**10-bit ADC Resolution**

For 10-bit resolution the 4 MSBs of the 10bit data output code will be ignored. The 2 LSBs of the target code should be set to '00'. For example if the desired code out is 0000111111, the value entered into TARGETINP\* would be 11111100.

**BLC SCENARIOS OF OPERATION**

The BLC can be used in various ways to suit the application, for example calibration can be done once per page or once per line. Three potential scenarios of operation are suggested below.

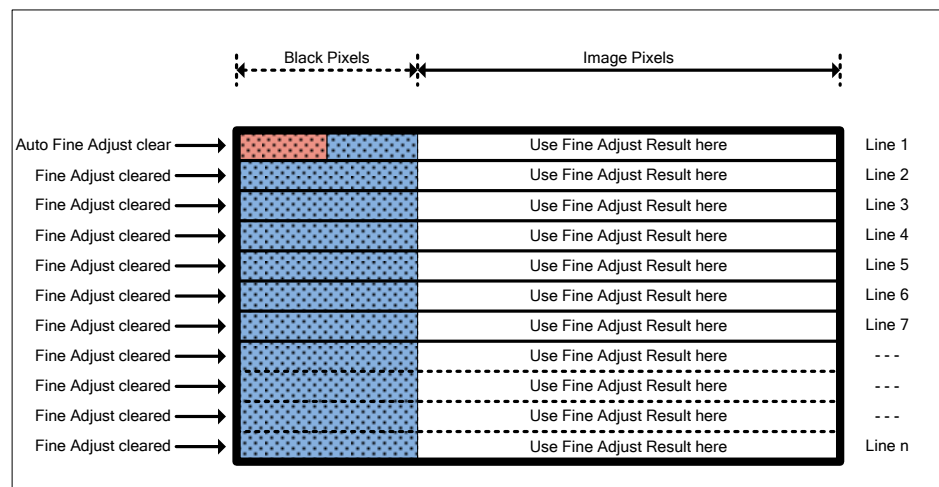
Note: The registers FRAME\_START and SEQ\_START when set high by the user will automatically be set low by the device.

**SCENARIO 1**

In this scenario, Coarse Adjust Calibration is enabled for the 1<sup>st</sup> line; Fine Adjust Calibration is enabled for every line, with the Fine Adjust Calibration result recalculated every line. This scenario is suitable for dealing with large amounts of D.C. drift throughout a frame; but this is at a cost of potential line-by-line variation in the Fine Adjust result (dependent on sensor noise and the PGA gain). Table 13 shows which registers are required for this scenario with example settings.

SETUP REGISTER	BPIX_AVAIL	CADUR	FRAME_START	FA_EVERYLINE
Value	50	2	1	1

**Table 13 Example Register Settings for Scenario 1**

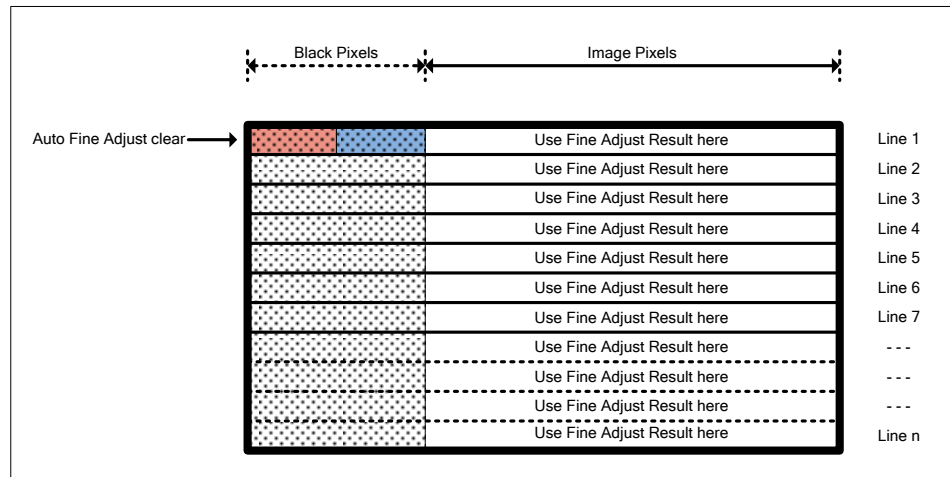


**Figure 29 Scenario 1**

**SCENARIO 2**

In this scenario, Coarse Adjust and Fine Adjust Calibration is enabled for the 1<sup>st</sup> line, with the Fine Adjust result updated on the 1<sup>st</sup> line only. This scenario is suitable for adjusting for black-level D.C. drift on a frame-by-frame basis; there will be no line-by-line variation in the black-level from the BLC circuitry. Table 14 shows which registers are required for this scenario with example settings.

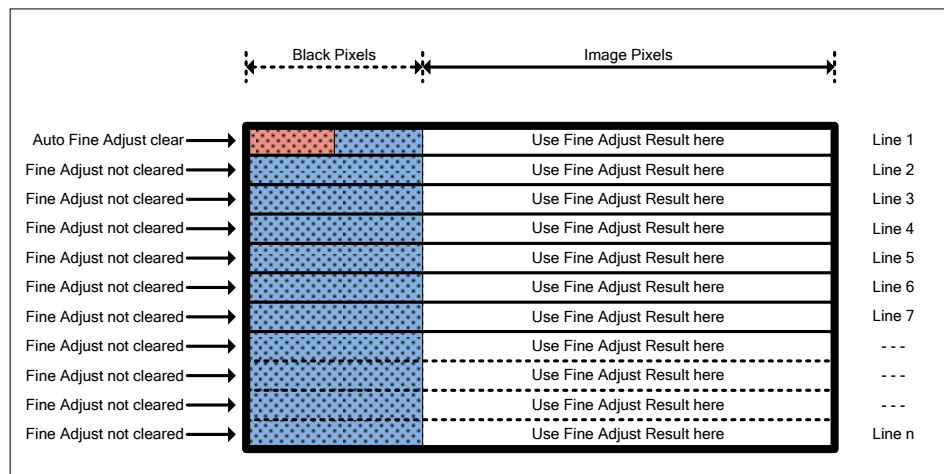
SETUP REGISTER	BPIX_AVAIL	CADUR	FRAME_START
Value	50	2	1

**Table 14 Example Register Settings for Scenario 2**

**Figure 30 Scenario 2**

**SCENARIO 3**

In this scenario, Coarse Adjust Calibration is enabled for the 1<sup>st</sup> line; Fine Adjust Calibration is enabled for every line, with the Fine Adjust result accumulated throughout frame and used every line. This scenario allows any variation in the black-level to be tracked throughout the frame by accumulating the Fine Adjust result over multiple lines. This method does not deal with as large amounts of D.C. drift throughout the frame as scenario 1, but it will produce less line-by-line variation. Table 15 shows which registers are required for this scenario with example settings.

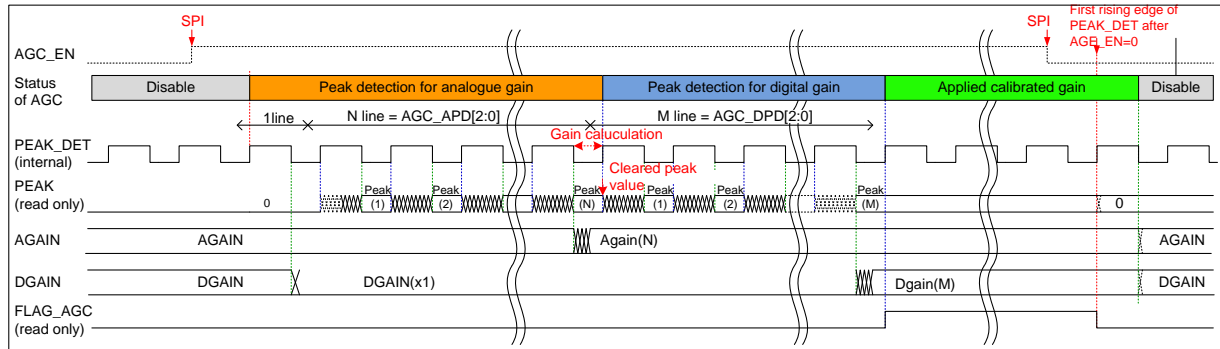
SETUP REGISTER	BPIX_AVAIL	CADUR	FRAME_START	FA_EVERYLINE	FA_ACCUM
Value	50	2	1	1	1

**Table 15 Example Register Settings for Scenario 3**

**Figure 31 Scenario 3**



## AUTOMATIC GAIN CONTROL (AGC)

The Automatic Gain Control (AGC) function is to adjust the gain to an appropriate level for a range of input signal levels. The AGC function is enabled by AGC\_EN register set to 1. The gain control process has three stages as shown in Figure 32 below:



**Figure 32 Automatic Gain Control**

### Analogue Gain Calibration

The analogue gain keep the previous setting (AGAIN) and the digital gain set to x1 (DGAIN=12'd2048) automatically. During the PEAK\_DET=high period, peak detection is executed then calculate an appropriate analogue gain (Again(N)) while PEAK\_DET=low period. This period needs 200 pixels at least. The number of peak detection cycle is selectable by AGC\_APD register. Minimum cycle is 0 (In this case the analogue gain calibration is not executed), Maximum cycle is 7 lines. The peak value is cleared when analogue peak detection finished.

### Digital Gain Calibration

The analogue gain is set to the calibrated value (Again(N)), and the digital gain is set to x1 (DGAIN=12'd2048) automatically. Then peak detection and digital gain calibration are executed. Also, the number of peak detection line is selectable by AGC\_DPD register. Minimum cycle is 0 (In this case the digital gain calibration is not executed), Maximum cycle is 7 lines.

### Applied Calibrated Analogue and Digital Gain

The analogue and digital gain are holding calibrated value until AGC\_EN register set to 0.

$$\text{Again}(N) = \text{AGC\_TARGETINP}^* / \text{peak}(n) \times \text{AGAIN}$$

$$\text{Dgain}(M) = (\text{AGC\_TARGETINP}^* - \text{TARGETINP}^*) / (\text{peak}(M) - \text{TARGETINP}^*)$$

REGISTER ADDRESS	BIT	LABEL	DEFAULT	DESCRIPTION
R72 (48h)	7:0	TARGETIN1[7:0]	0000_0000	target black level for IN1[7:0]
R73 (49h)	7:0	TARGETIN2[7:0]	0000_0000	target black level for IN2[7:0]
R74 (4Ah)	7:0	TARGETIN3[7:0]	0000_0000	target black level for IN3[7:0]
R75 (4Bh)	7:0	TARGETIN4[7:0]	0000_0000	target black level for IN4[7:0]
R76 (4Ch)	7:0	TARGETIN5[7:0]	0000_0000	target black level for IN5[7:0]
R77 (4Dh)	7:0	TARGETIN6[7:0]	0000_0000	target black level for IN6[7:0]
R78 (4Eh)	7:0	TARGETIN7[7:0]	0000_0000	target black level for IN7[7:0]
R79 (4Fh)	7:0	TARGETIN8[7:0]	0000_0000	target black level for IN8[7:0]
R80 (50h)	7:0	TARGETIN9[7:0]	0000_0000	target black level for IN9[7:0]
R87 (57h)	7:4	AGCAVE[3:0]	0000	averaging factor before peak detection 0000 = no average, 0001 = 2, 0010 = 4, 0011 = 8 ..., 1010 = 1024 (1011 = 1100 = 1101 = 1110 = 1111 = reserved)
	2	AGC_ERRFLAG	0	AGC error flag 0 = no error detected, 1 = AGC finish with error
	1	AGC_ENDFLAG	0	AGC end flag 0 = not end or not run, 1 = AGC sequence was done
	0	AGC_EN	0	AGC enable 0 = disable, 1 = enable
R88 (58h)	6:4	AGC_DPD[2:0]	000	the number of peak detection iterations to calculate digital gain
	2:0	AGC_APD[2:0]	000	the number of peak detection iterations to calculate analogue gain
R89 (59h)	7:0	AGC_TARGETIN1 [7:0]	0000_0000	LSB of AGC target level for IN1
R90 (5Ah)	1:0	AGC_TARGETIN1 [9:8]	00	MSB of AGC target level for IN1
R91 (5Bh)	7:0	AGC_TARGETIN2 [7:0]	0000_0000	LSB of AGC target level for IN2
R92 (5Ch)	1:0	AGC_TARGETIN2 [9:8]	00	MSB of AGC target level for IN2
R93 (5Dh)	7:0	AGC_TARGETIN3 [7:0]	0000_0000	LSB of AGC target level for IN3
R94 (5Eh)	1:0	AGC_TARGETIN3 [9:8]	00	MSB of AGC target level for IN3
R95 (5Fh)	7:0	AGC_TARGETIN4 [7:0]	0000_0000	LSB of AGC target level for IN4
R96 (60h)	1:0	AGC_TARGETIN4 [9:8]	00	MSB of AGC target level for IN4
R97 (61h)	7:0	AGC_TARGETIN5 [7:0]	0000_0000	LSB of AGC target level for IN5
R98 (62h)	1:0	AGC_TARGETIN5 [9:8]	00	MSB of AGC target level for IN5
R99 (63h)	7:0	AGC_TARGETIN6 [7:0]	0000_0000	LSB of AGC target level for IN6
R100 (64h)	1:0	AGC_TARGETIN6 [9:8]	00	MSB of AGC target level for IN6
R101 (65h)	7:0	AGC_TARGETIN4 [7:0]	0000_0000	LSB of AGC target level for IN4
R102 (66h)	1:0	AGC_TARGETIN4 [9:8]	00	MSB of AGC target level for IN4
R103 (67h)	7:0	AGC_TARGETIN5 [7:0]	0000_0000	LSB of AGC target level for IN5

REGISTER ADDRESS	BIT	LABEL	DEFAULT	DESCRIPTION
R104 (68h)	1:0	AGC_TARGETIN5 [9:8]	00	MSB of AGC target level for IN5
R105 (69h)	7:0	AGC_TARGETIN6 [7:0]	0000_0000	LSB of AGC target level for IN6
R106 (6Ah)	1:0	AGC_TARGETIN6 [9:8]	00	MSB of AGC target level for IN6
R191 (BFh)	7:0	PEAKDET_RISE [7:0]	0000_0000	LSB of PEAKDET_RISE[14:0] peak detection start pixel count
R192 (C0h)	6:0	PEAKDET_RISE [14:8]	000_0000	MSB of PEAKDET_RISE[14:0] peak detection start pixel count
R193 (C1h)	7:0	PEAKDET_FALL [7:0]	0000_0000	LSB of PEAKDET_FALL[14:0] peak detection start pixel count
R194 (C2h)	6:0	PEAKDET_FALL [14:8]	000_0000	MSB of PEAKDET_FALL[14:0] peak detection start pixel count

## LINE-BY-LINE OPERATION

Certain linear sensors give colour output on a line-by-line basis. i.e. a full line of red pixels followed by a line of green pixels followed by a line of blue pixels.

The WM8235 can accommodate this type of input by setting the LINEBYLINE register bit high. The offset and gain values that are applied to every input channel can be selected, by internal multiplexers, to come from IN7, IN8 or IN9 offset and gain registers. This allows the gain and offset values for each of the input colours to be setup individually at the start of a scan.

When register bit ACYC=0 the gain and offset multiplexers are controlled via the INTM[1:0] register bits. When INTM=00 the IN7 offset and gain control registers are used to control every input channel, INTM=01 selects the IN8 offset and gain registers and INTM=10 selects the IN9 offset and gain registers to control every input channel.

When register bit ACYC=1, 'auto-cycling' is enabled, and the input channel switches to the next offset and gain registers in the sequence by TGSYNC. The sequence is IN7 → IN8 → IN9 → IN7... offset and gain registers applied to every input channel.

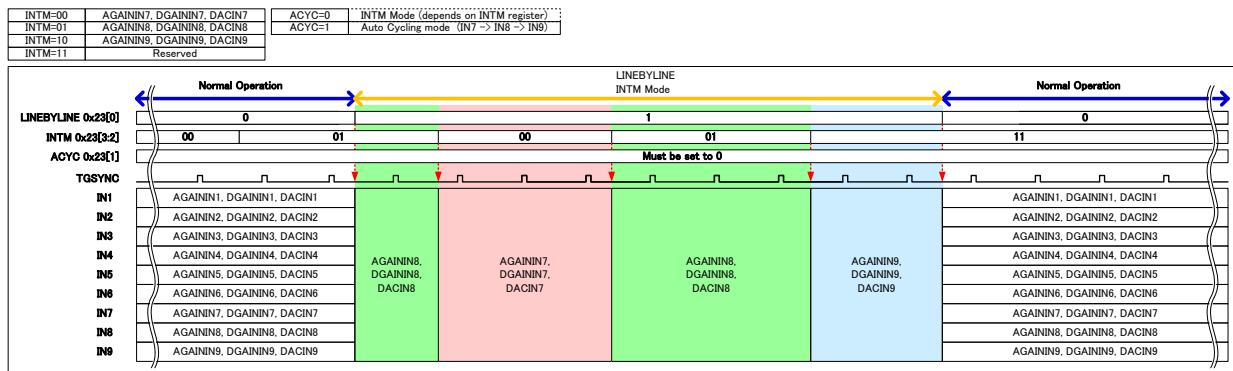
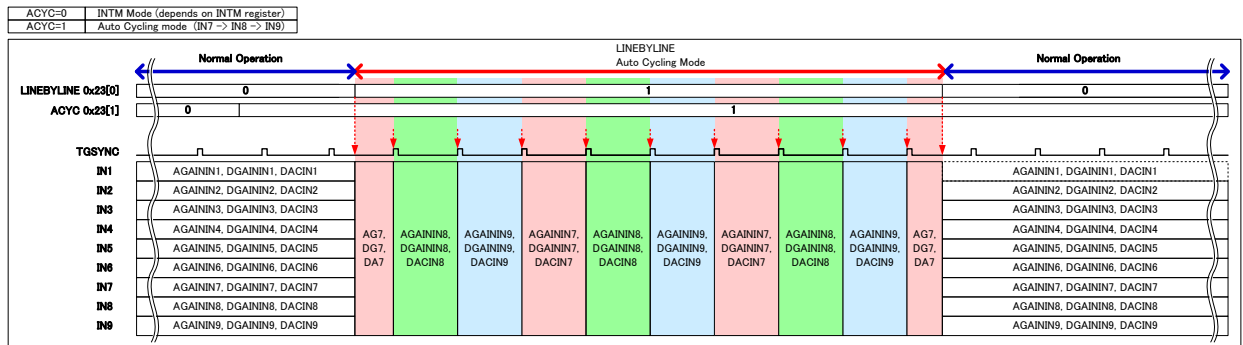


Figure 33 Line-by-Line Operation (ACYC=0, INTM mode)


**Figure 34 Line-by-Line Operation (ACYC=1, Auto-cycling mode)**

REGISTER ADDRESS	BIT	LABEL	DEFAULT	DESCRIPTION
R35 (23h) DAC IN1	3:2	INTM[1:0]	00	When LINEBYLINE=1, controls the GAIN and DAC mux selector when ACYC=0 00 = IN7 01 = IN8 10 = IN9 11 = reserved
	1	ACYC	0	when LINEBYLINE=1, determines the function of the MUX control 0 = decided by INTM register 1= auto-cycling enabled
	0	LINEBYLINE	0	select line by line operation 0=normal operation 1=Line by Line operation

## TEST PATTERN GENERATOR

WM8235 has test pattern generator which can be used for interface verification between AFE data output and back-end devices without sensor signal input. This function can be presented in several different patterns by PGPAT[1:0] and PGMARCH registers as shown below. The PGLEVEL, PGWIDTH1 and PGWIDTH2 are the parameter to define the pattern level and width. The PGLEVEL register has 16bit length, PGWIDTH1 and PGWIDTH2 has 8bit length.

Note that test pattern generator is required TGSYNC input. (i.e. this can be used under TG slave mode operation only.)

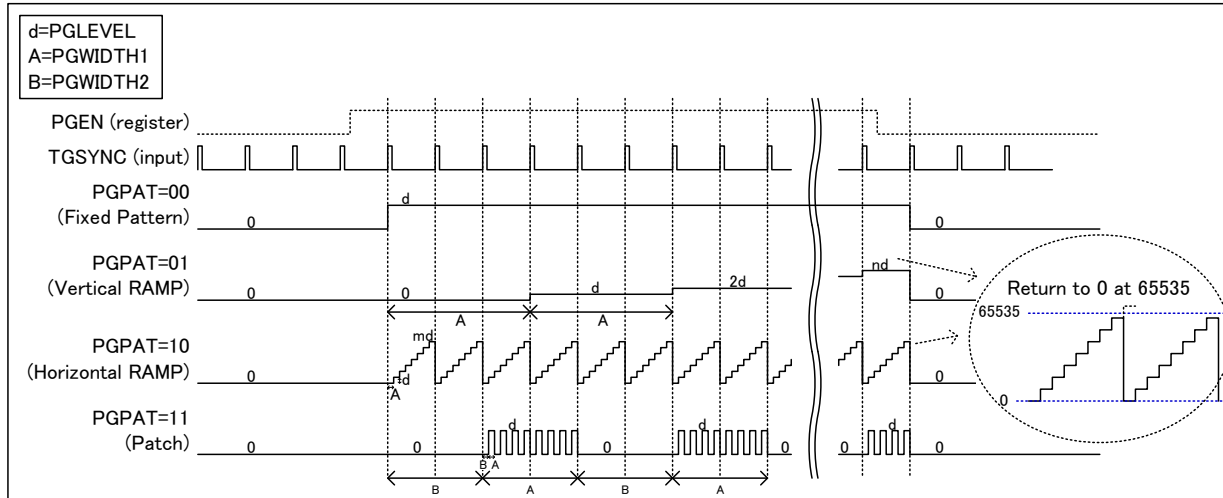


Figure 35 Test Pattern Output Data Formats

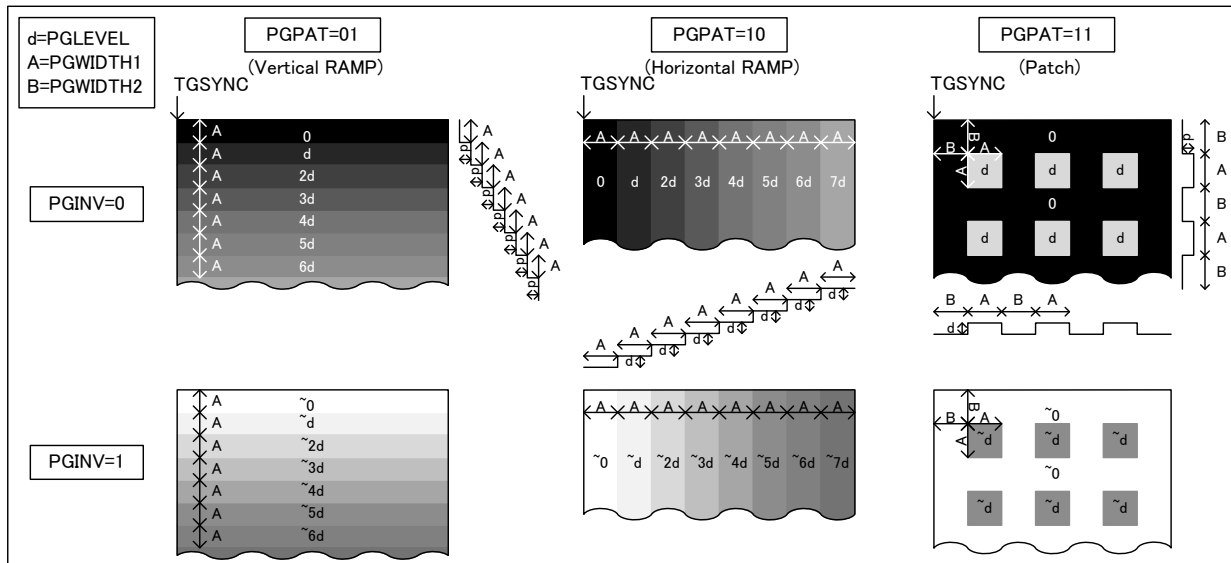
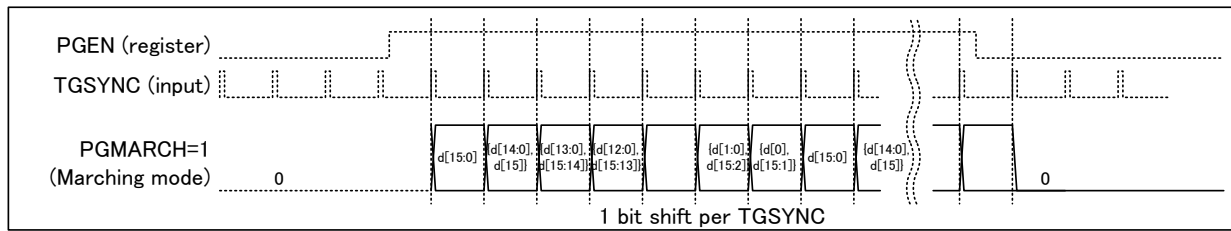


Figure 36 Test Pattern Output image


**Figure 37 Test Pattern Output Data Formats (Marching mode)**

REGISTER ADDRESS	BIT	LABEL	DEFAULT	DESCRIPTION
R20 (14h) PG config	7	PGMARCH	0	pattern generator marching mode enable 0 = controlled by PGPAT 1 = marching pattern
	6:5	PGPAT[1:0]	00	select pattern generator output 00 = fixed value 01 = vertical ramp 10 = horizontal ramp 11 = patch
	4	PGINV	0	invert pattern generator output 0 = normal 1 = invert
	3	SEL_PGZ	0	select output of pattern generator (IN7, IN8, IN9) 0 = normal output 1 = output generated digital pattern instead of ADC outputs
	2	SEL_PGY	0	select output of pattern generator (IN4, IN5, IN6) 0 = normal output 1 = output generated digital pattern instead of ADC outputs
	1	SEL_PGX	0	select output of pattern generator (IN1, IN2, IN3) 0 = normal output 1 = output generated digital pattern instead of ADC outputs
	0	PGEN	0	enable pattern generator 0 = disable 1 = enable

REGISTER ADDRESS	BIT	LABEL	DEFAULT	DESCRIPTION
R21 (15h) PGCODE LSB	7:0	PGLEVEL[7:0]	0000_0000	parameter of pattern generator

REGISTER ADDRESS	BIT	LABEL	DEFAULT	DESCRIPTION
R22 (16h) PGCODE MSB	7:0	PGLEVEL[7:0]	0000_0000	parameter of pattern generator

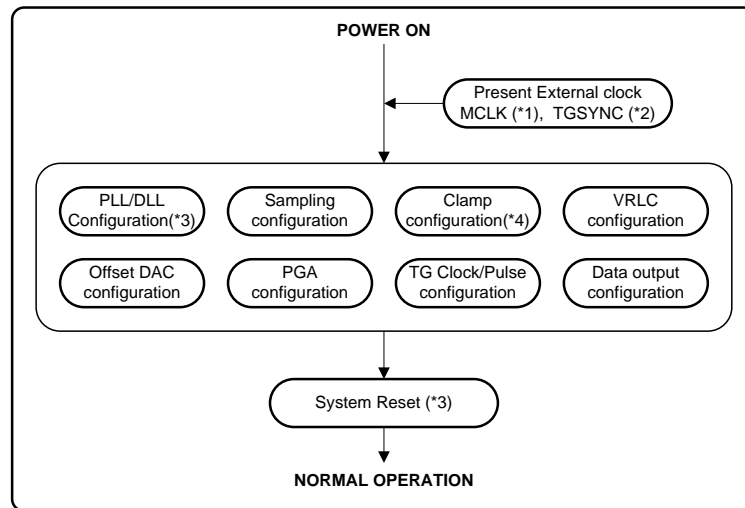
REGISTER ADDRESS	BIT	LABEL	DEFAULT	DESCRIPTION
R23 (17h) PG width 1	7:0	PGWIDTH1[7:0]	0000_0000	parameter of pattern generator

REGISTER ADDRESS	BIT	LABEL	DEFAULT	DESCRIPTION
R24 (18h) PG width 2	7:0	PGWIDTH2[7:0]	0000_0000	parameter of pattern generator

## REGISTER SETTING PROCEDURE

### OVERALL

Figure 38 shows the overall procedure for WM8235 register setting. Every register can be configured without MCLK and TGSYNC input, but the following Note1~3 must be followed before starting normal operation.



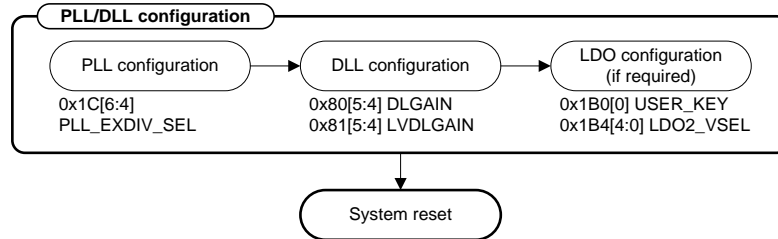
**Figure 38 Overall Procedure**

#### Notes:

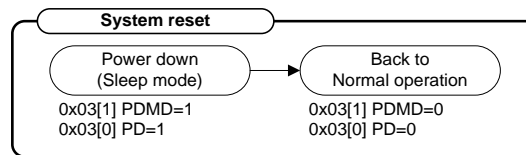
1. MCLK must be present before System Reset. Also, System Reset must be done when MCLK is interrupted during normal operation.
2. TGSYNC input is required in TG slave mode. Also, this must be present before normal operation.
3. System Reset must be done after PLL/DLL configuration.

### PLL/DLL CONFIGURATION

PLL and DLL registers must be configured depending on the MCLK frequency and data output format. See “PLL DLL Setup” section for details of configuring PLL/DLL registers. The device must be reset after PLL/DLL configuration as shown in Figure 40.



**Figure 39 PLL/DLL Configuration**



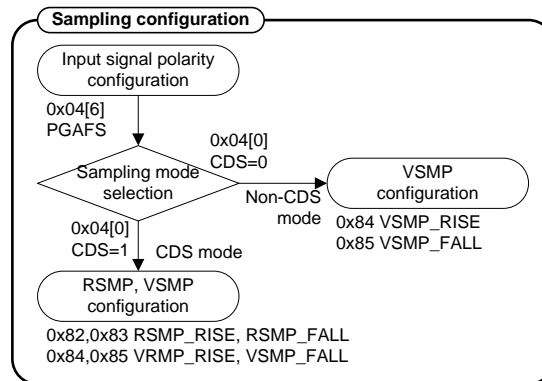
**Figure 40 System Reset**

### SAMPLING CONFIGURATION

Sampling configuration is the setting for input signal polarity and sampling timing. See “CDS/Non-CDS Processing” section for details of configuring this register.

**Non-CDS mode (S/H mode):** RSMP configuration is not required.

**CDS mode:** RSMP and VSMP configurations are required.



**Figure 41 Sampling Configuration**



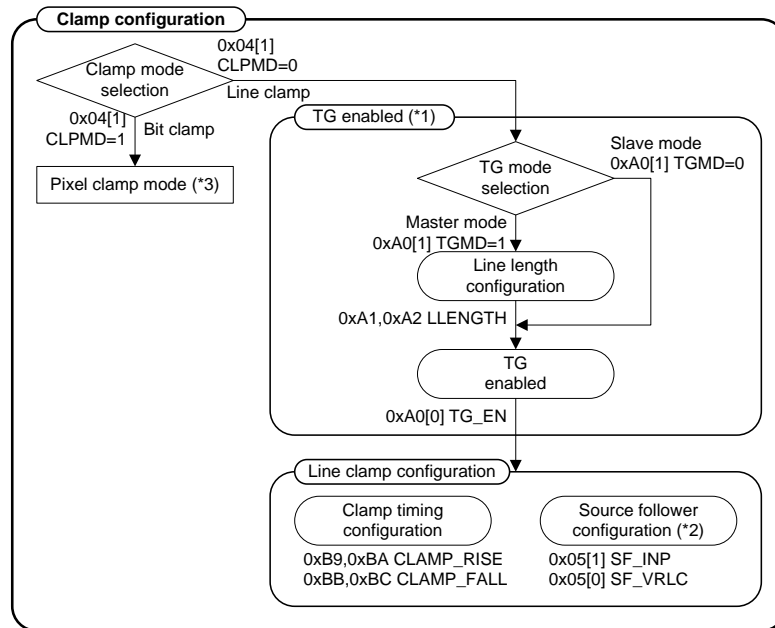
### CLAMP CONFIGURATION

Clamp configuration is the setting for clamp modes and clamp timing configuration in line clamp mode. See "Reset Level Clamping (RLC)" section and "CDS/Non-CDS Processing" section for details of configuring this register.

**TG enabled:** This must be enabled when AGC function is used.

**Line clamp configuration:** Line clamp operation is enabled during CLAMP\_RISE ~ CLAMP\_FALL period. Also, the source follower should be set to prevent clamp voltage drop in line clamp mode.

**Pixel clamp (Bit clamp) mode:** The pixel clamping is enabled during RSMP = high period. This mode can be used in CDS operation only.



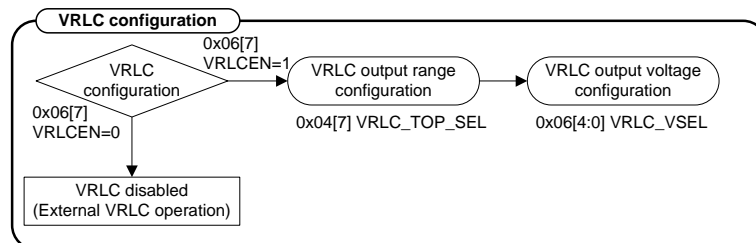
**Figure 42 Clamp Configuration**

**Notes:**

1. This must be set when Line clamp is used.
2. SF\_INP and SF\_VRLC must be set both when source follower enabled
3. Pixel clamp can be used in CDS operation only.

### VRLC CONFIGURATION

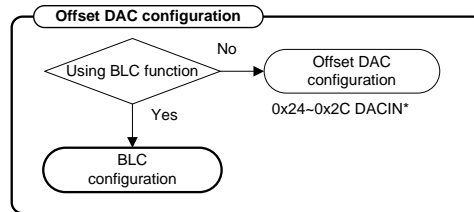
VRLC configuration is the setting for VRLC voltage, which is used for input signal clamp voltage at line clamp operation. The VRLC voltage is also used as the reference level of non-CDS (S/H) operation. See "Reset Level Clamping (RLC)" section and "CDS/Non-CDS Processing" section for details of configuring this register.



**Figure 43 VRLC Configuration**

**OFFSET DAC CONFIGURATION**

The offset DAC is used for black level offset compensation. WM8235 has BLC function to calibrate black level. In this mode, the offset DAC will be configured automatically. When this function is not needed, the offset DAC can be configured manually. See “Overall Signal Flow Summary” section for details of offset DAC configuration, and see “BLC Scenarios of Operation” for details of BLC sequence.


**Figure 44 Offset DAC Configuration**
**BLC configuration**

**TG enabled:** This must be enabled when AGC function is used.

**BLC start pixel configuration:** This is start pixel configuration for BLC.

**BLC period configuration:** BLC will operate while this period from BLC start pixel.

**BLC target level configuration:** This is configuration for the target level of black pixel.

**Coarse adjust configuration:**

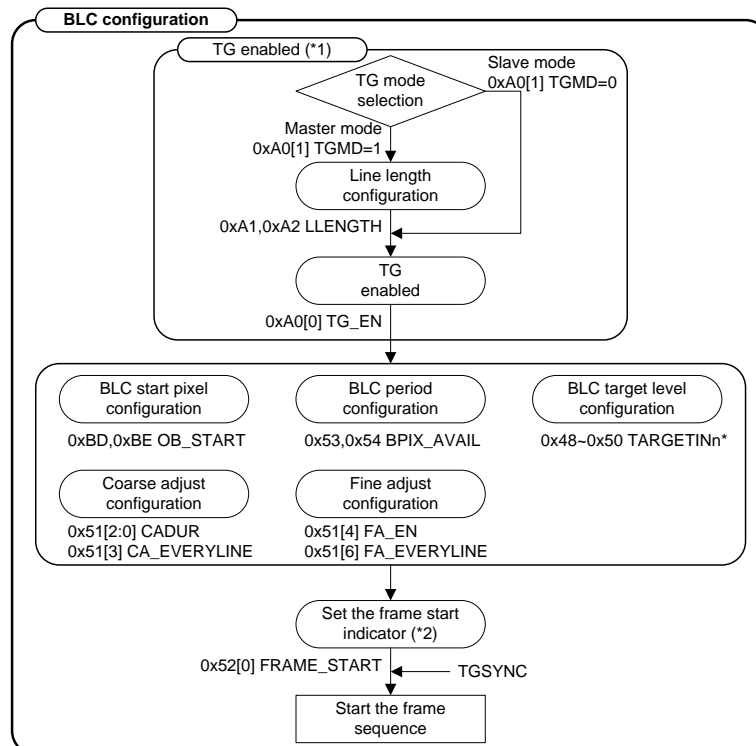
CADUR: This is the coarse adjust iteration setting during BLC period.

CA\_EVERYLINE: When this register set, coarse adjust will operate on every line.

**Fine adjust configuration:** This is configuration for Coarse adjust iteration.

FA\_EN: When this register set, fine adjust will operate during BLC period.

FA\_EVERYLINE: When this register set, fine adjust will operate on every line.

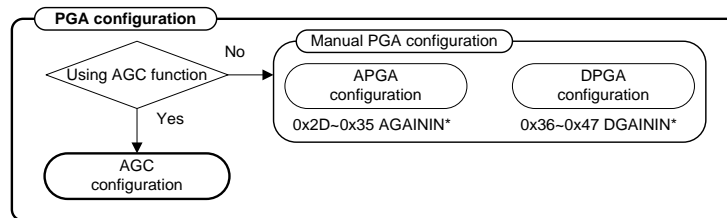


**Figure 45 BLC Configuration**
**Notes:**

1. This must be set when BLC is used.
2. With this register set, frame sequence will be started after TGSYNC is recognized. Therefore this should be set within the last line of previous frame.

**PGA CONFIGURATION**

The WM8235 provides an Automatic Gain Control (AGC) function. The output code is calibrated to target level by this automatic gain control function. See “Automatic Gain Control (AGC)” section for details of AGC sequence. Also, see the following instruction to configure AGC related registers. The analogue PGA (APGA) and digital PGA (DPGA) can be configured manually when AGC is not required. See “Offset Adjust and Programmable Gain” section for details of PGA configuration.


**Figure 46 PGA Configuration**

**AGC CONFIGURATION**

Figure 47 shows the procedure for AGC Configuration.

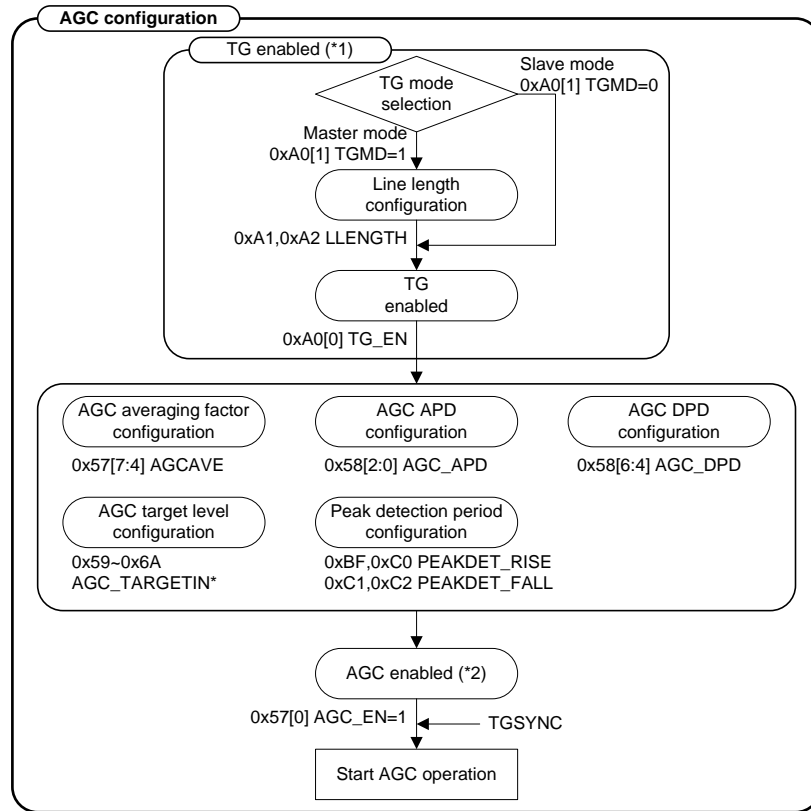
**TG enabled:** This must be enabled when AGC function is used.

**AGC averaging factor configuration:** This is averaging factor for peak level detection.

**AGC APD/DPD configuration:** This is line iteration setting for peak level detection.

**AGC target level configuration:** The output code will be calibrated to this target level after APGA and DPGA calibration. APGA and DPGA keep calibrated gain value while AGC is enabled. (AGC\_EN=1)

**Peak detection period configuration:** This is the setting for peak detection period.



**Figure 47 AGC Configuration**

**Notes:**

1. This must be set when AGC is used.
2. With this register set, AGC sequence will be started after TGSYNC is recognized.

**TG CLOCK CONFIGURATION**

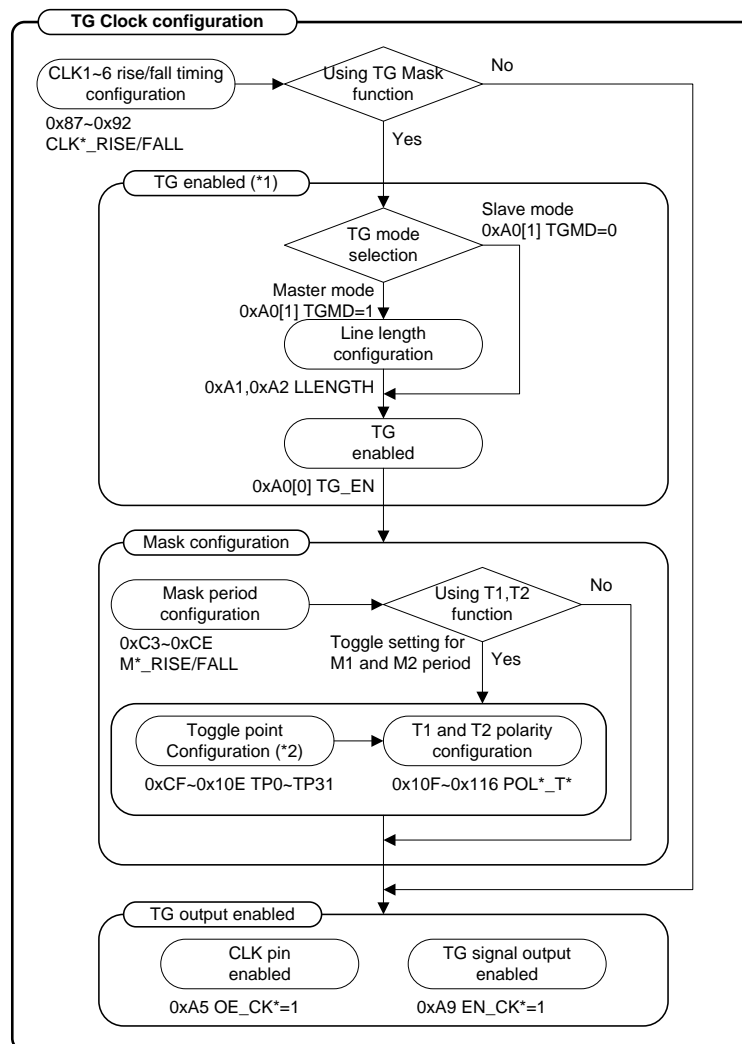
Figure 48 shows the procedure for TG Clock Timing and Mask Configuration. CLK1~CLK6 can be configured as clock type output. See “Sensor Timing Generation” section for details of TG function.

**TG enabled:** This must be enabled when TG mask function is used.

**Mask period configuration:** TG clock will be masked while mask signal is high. The rising and falling timing is configured by M\*\_RISE/FALL register. See “TG Mask Timing” section for details of this function.

**Toggle point configuration:** Pulse toggle timing is configured by toggle point setting (TP0~TP31). TP\* register consists of toggle point setting bit (TP value bit) and enable bit. The enable bit must be set when TP is used. Unused TP can be disabled, but it must be followed Note-2 as described below.

**T1 and T2 polarity configuration:** T1 and T2 are internal signal to set the TG signal polarity during mask period. See “TG Mask Timing” section for details of this function.



**Figure 48 TG Clock Configuration**

**Notes:**

1. This must be set when the TG-MASK function is used.
2. When configure Toggle point (TP), it must be used from TP0 in ascending order. Also, TP pixel counter value must be set as TP0<TP1<TP2 .....

**TG PULSE CONFIGURATION**

Figure 49 shows the procedure for TG Pulse Configuration. CLK2~CLK8 can be configured as pulse type output. See “Sensor Timing Generation” section for details of TG function.

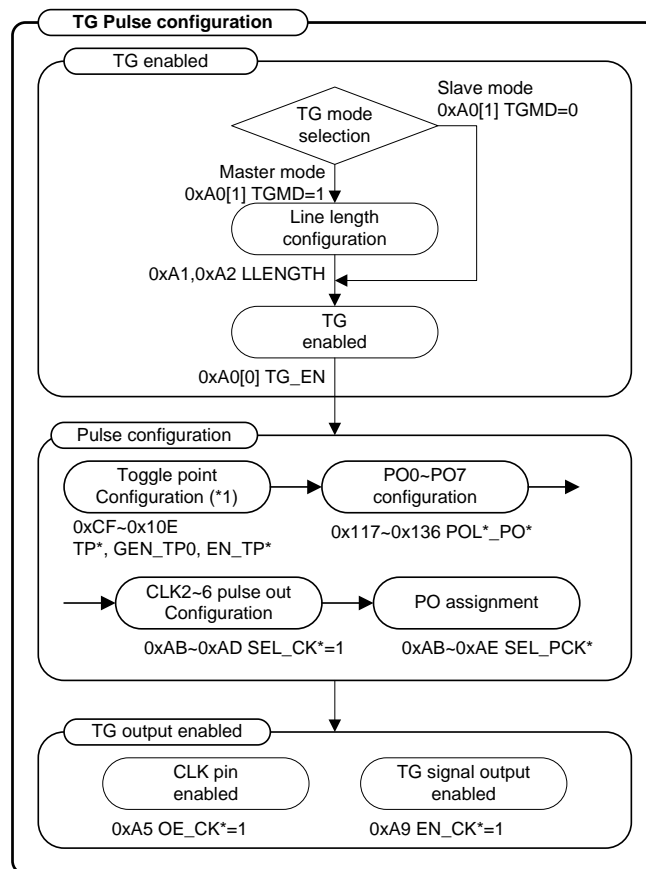
**TG enabled:** This must be enabled when TG pulse function is used.

**Toggle point configuration:** Pulse toggle timing is configured by toggle point setting (TP0~TP31). TP\* register consists of toggle point setting bit (TP pixel counter value bit) and enable bit. The enable bit must be set when TP is used. Unused TP can be disabled, but this must be followed Note-1 as described below.

**PO0~PO7 configuration:** PO0~PO7 are internal pulse for CLK pulse output. Pulse toggle timing is configured by polarity setting register (0x117~0x136 POL\*\_PO\*).

**CLK2~6 pulse out configuration:** CLK2~CLK6 can select output signal type, clock type or pulse type by SEL\_CK\* register bit. This register must be set when pulse output is required.

**PO assignment:** Internal PO\* pulse will be assigned to CLK2~CLK8 pin with this register.



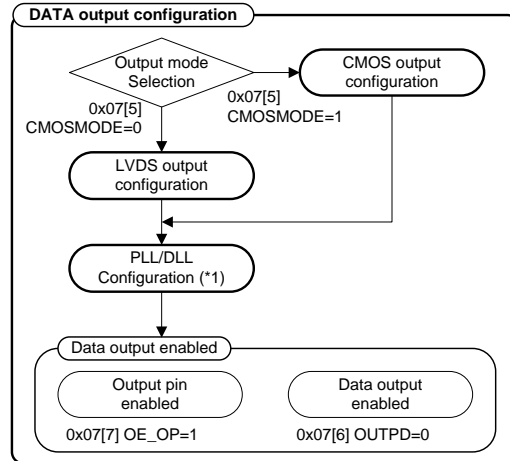
**Figure 49 TG Pulse Configuration**

**Notes:**

1. When configure Toggle point (TP), it must be used from TP0 in ascending order. Also, TP pixel counter value must be set as TP0<TP1<TP2 .....

**DATA OUTPUT CONFIGURATION**

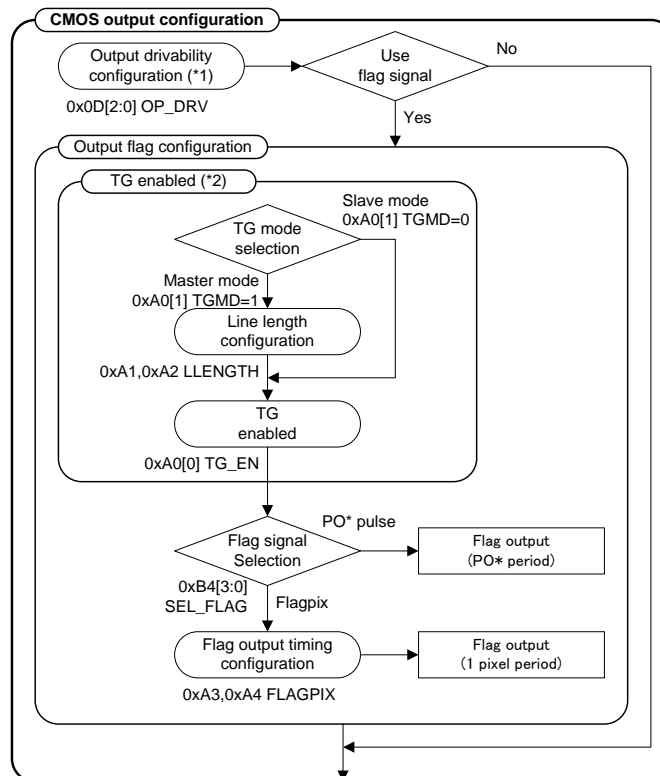
Figure 50 shows the procedure for Data Output Configuration. WM8235 provides 10-bit CMOS output and various LVDS output formats. See “Output Data Format” section for details of LVDS and CMOS output format.


**Figure 50 Data Output Configuration**

**Notes:** 1. For details, see “PLL/DLL Configuration” section.

**CMOS Output Configuration**

Figure 51 shows the procedure for CMOS Output Configuration. Output drivability must be set when CMOS output is selected. In CMOS output mode, flag signal will be output from DCLKN/OC[2] pin.


**Figure 51 CMOS Output Configuration**

**Notes:**

1. OP\_DRV is valid when 0x0D[3] DRV\_CTRL set to 0. When DRV\_CTRL set to 1, OP\_DRV is invalid, and drivability of output pin can be configured individually by 0x0E-0x13 OP\*\_DRV and OC\*\_DRV.
2. This must be set when flag is used.

**LVDS Output Configuration**

Figure 52 shows the procedure for LVDS Output Configuration.

**LVDS format configuration:** LVDS format can be configured by this register. See “Output Data Format” section for details of each format.

**Data output order configuration:** Data output order can be set by this register. See “LVDS Data Output Order” section for details of output order.

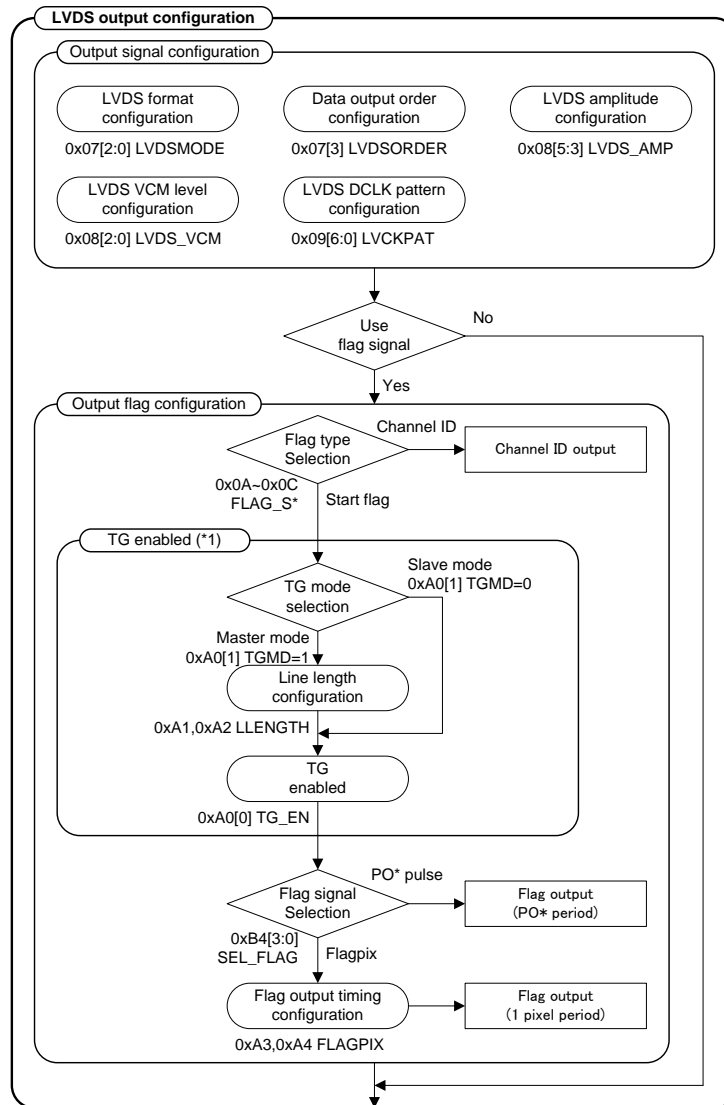
**LVDS amplitude configuration:** This is LVDS signal amplitude configuration. The LVDS amplitude is configured using the LVDS\_AMP register field. Selections in the range 50mV to 200mV are supported. Note that the default code (110) should not be used.

**LVDS VCM level configuration:** This is LVDS common mode voltage configuration.

**LVDS DCLK pattern configuration:** This is DCLK output pattern configuration.

**Output flag configuration:** Flag type can be selected from start flag or channel ID. See “Trigger Data” and “Channel ID” section for details of output flag. When this is not used, flag data (S-S4) will be always 0.





**Figure 52 LVDS Output Configuration**

**Notes:**

- This must be set when start flag is used.

**REGISTER MAP**

The WM8235 can be configured using the Control Interface. All registers not listed and all unused bits should be set to '0'.

REG	NAME	7	6	5	4	3	2	1	0	DEFAULT
R0 (0h)	Software Reset/Chip ID 1	SW_RESET_CHIP_ID[7:0]								35h
R1 (1h)	Chip ID 2	CHIP_ID[7:0]								82h
R2 (2h)	Chip Rev	0	0	0	0	CHIP_REV[3:0]				00h
R3 (3h)	Setup Reg 1	0	0	0	CHZPD	CHYPD	CHXPD	PDMD	PD	00h
R4 (4h)	Setup Reg 2	VRLC_TOP_SE	PGAFS	ADCFS	0	0	0	CLPMD	CDS	40h
R5 (5h)	Setup Reg 3	0	0	0	SF_BYPLS	PT_SF[1:0]		SF_INP	SF_VRLC	1Ch
R6 (6h)	VRLC control	VRLCEN	VRLC_ISEL[1:0]		VRLC_VSEL[4:0]					8Ah
R7 (7h)	output control	OE_OP	OUTPD	CMOSMODE	OUTSYNC	LVDSORDER	LVDSMODE[2:0]			40h
R8 (8h)	LVDS control	0	LVDS_POL	LVDS_AMP[2:0]			LVDS_VCM[2:0]			35h
R9 (9h)	LVDS clock pattern	0	LVCKPAT[6:0]							63h
R10 (Ah)	flag control 1	FLAG_S1[3:0]				FLAG_S0[3:0]				10h
R11 (Bh)	flag control 2	FLAG_S3[3:0]				FLAG_S2[3:0]				00h
R12 (Ch)	flag control 3	0	0	0	0	FLAG_S4[3:0]				00h
R13 (Dh)	CMOS drivability control 1	0	0	0	0	DRV_CTRL	OP_DRV[2:0]			00h
R14 (Eh)	CMOS drivability control 2	0	OP1_DRV[2:0]			0	OP0_DRV[2:0]			00h
R15 (Fh)	CMOS drivability control 3	0	OP3_DRV[2:0]			0	OP2_DRV[2:0]			00h
R16 (10h)	CMOS drivability control 4	0	OP5_DRV[2:0]			0	OP4_DRV[2:0]			00h
R17 (11h)	CMOS drivability control 5	0	OP7_DRV[2:0]			0	OP6_DRV[2:0]			00h
R18 (12h)	CMOS drivability control 6	0	OP9_DRV[2:0]			0	OP8_DRV[2:0]			00h
R19 (13h)	CMOS drivability control 7	0	OC2_DRV[2:0]			0	OC1_DRV[2:0]			00h
R20 (14h)	PG config	PGMARCH	PGPAT[1:0]		PGINV	SEL_PGZ	SEL_PGY	SEL_PGX	PGEN	00h
R21 (15h)	PGCODE LSB	PGLEVEL[7:0]								00h
R22 (16h)	PGCODE MSB	PGLEVEL[14:8]								00h
R23 (17h)	PG width 1	PGWIDTH1[7:0]								00h
R24 (18h)	PG width 2	PGWIDTH2[7:0]								00h
R25 (19h)	clock monitor	0	0	0	0	0	MONCLK[2:0]			00h
R26 (1Ah)	PLL control 1	0	0	0	0	0	PLL_LPF_RST	PLL_CP_PD	PLL_VCO_PD	00h
R27 (1Bh)	PLL control 2	0	PLL_LPF_SEL	0	0	PLL_PFD_CTRL[1:0]		PLL_CP_GAIN[1:0]		09h
R28 (1Ch)	PLL divider control 1	0	PLL_EXDIV_SEL[2:0]			PLL_FBDIV_SEL[3:0]				14h
R29 (1Dh)	PLL divider control 2	0	0	PLL_POSTDIV2_SEL[1:0]		PLL_POSTDIV1_SEL[3:0]				14h
R35 (23h)	Cycle mode control	0	0	0	0	INTM[1:0]		ACYC	LINBYLINE	00h
R36 (24h)	DAC IN1	DACIN1[7:0]								80h
R37 (25h)	DAC IN2	DACIN2[7:0]								80h
R38 (26h)	DAC IN3	DACIN3[7:0]								80h
R39 (27h)	DAC IN4	DACIN4[7:0]								80h
R40 (28h)	DAC IN5	DACIN5[7:0]								80h
R41 (29h)	DAC IN6	DACIN6[7:0]								80h
R42 (2Ah)	DAC IN7	DACIN7[7:0]								80h
R43 (2Bh)	DAC IN8	DACIN8[7:0]								80h
R44 (2Ch)	DAC IN9	DACIN9[7:0]								80h
R45 (2Dh)	AGAIN IN1	0	0	0	AGAININ1[4:0]				01h	
R46 (2Eh)	AGAIN IN2	0	0	0	AGAININ2[4:0]				01h	
R47 (2Fh)	AGAIN IN3	0	0	0	AGAININ3[4:0]				01h	
R48 (30h)	AGAIN IN4	0	0	0	AGAININ4[4:0]				01h	
R49 (31h)	AGAIN IN5	0	0	0	AGAININ5[4:0]				01h	
R50 (32h)	AGAIN IN6	0	0	0	AGAININ6[4:0]				01h	

REG	NAME	7	6	5	4	3	2	1	0	DEFAULT
R51 (33h)	AGAIN IN7	0	0	0	AGAININ7[4:0]					01h
R52 (34h)	AGAIN IN8	0	0	0	AGAININ8[4:0]					01h
R53 (35h)	AGAIN IN9	0	0	0	AGAININ9[4:0]					01h
R54 (36h)	DGAIN IN1 LSB	DGAININ1[3:0]			0	0	0	0		00h
R55 (37h)	DGAIN IN1 MSB	DGAININ1[11:4]								80h
R56 (38h)	DGAIN IN2 LSB	DGAININ2[3:0]			0	0	0	0		00h
R57 (39h)	DGAIN IN2 MSB	DGAININ2[11:4]								80h
R58 (3Ah)	DGAIN IN3 LSB	DGAININ3[3:0]			0	0	0	0		00h
R59 (3Bh)	DGAIN IN3 MSB	DGAININ3[11:4]								80h
R60 (3Ch)	DGAIN IN4 LSB	DGAININ4[3:0]			0	0	0	0		00h
R61 (3Dh)	DGAIN IN4 MSB	DGAININ4[11:4]								80h
R62 (3Eh)	DGAIN IN5 LSB	DGAININ5[3:0]			0	0	0	0		00h
R63 (3Fh)	DGAIN IN5 MSB	DGAININ5[11:4]								80h
R64 (40h)	DGAIN IN6 LSB	DGAININ6[3:0]			0	0	0	0		00h
R65 (41h)	DGAIN IN6 MSB	DGAININ6[11:4]								80h
R66 (42h)	DGAIN IN7 LSB	DGAININ7[3:0]			0	0	0	0		00h
R67 (43h)	DGAIN IN7 MSB	DGAININ7[11:4]								80h
R68 (44h)	DGAIN IN8 LSB	DGAININ8[3:0]			0	0	0	0		00h
R69 (45h)	DGAIN IN8 MSB	DGAININ8[11:4]								80h
R70 (46h)	DGAIN IN9 LSB	DGAININ9[3:0]			0	0	0	0		00h
R71 (47h)	DGAIN IN9 MSB	DGAININ9[11:4]								80h
R72 (48h)	BLC IN1 target	TARGETIN1[7:0]								00h
R73 (49h)	BLC IN2 target	TARGETIN2[7:0]								00h
R74 (4Ah)	BLC IN3 target	TARGETIN3[7:0]								00h
R75 (4Bh)	BLC IN4 target	TARGETIN4[7:0]								00h
R76 (4Ch)	BLC IN5 target	TARGETIN5[7:0]								00h
R77 (4Dh)	BLC IN6 target	TARGETIN6[7:0]								00h
R78 (4Eh)	BLC IN7 target	TARGETIN7[7:0]								00h
R79 (4Fh)	BLC IN8 target	TARGETIN8[7:0]								00h
R80 (50h)	BLC IN9 target	TARGETIN9[7:0]								00h
R81 (51h)	BLC control 1	FRAME_SEQ	A_EVERYLINE	FA_ACCUM	FA_EN	A_EVERYLINE	CADUR[2:0]			00h
R82 (52h)	BLC control 2	0	0	0	0	0	0	SEQ_START	FRAME_START	00h
R83 (53h)	BLC control 3	BPIX_AVAIL[7:0]								00h
R84 (54h)	BLC control 4	0	0	0	0	0	0	BPIX_AVAIL[9:8]		00h
R85 (55h)	BLC control 5	LINE_DEL[7:0]								00h
R86 (56h)	BLC control 6	0	0	0	0	0	0	0	LINE_DEL[8]	00h
R87 (57h)	AGC config 1	AGCAVE[3:0]			0	AGC_ERRFLAG	AGC_ENDFLAG	AGC_EN		00h
R88 (58h)	AGC config 2	0	AGC_DPD[2:0]		0	AGC_APD[2:0]				00h
R89 (59h)	AGC target IN1 LSB	AGC_TARGETIN1[7:0]								00h
R90 (5Ah)	AGC target IN1 MSB	0	0	0	0	0	0	AGC_TARGETIN1[9:8]		00h
R91 (5Bh)	AGC target IN2 LSB	AGC_TARGETIN2[7:0]								00h
R92 (5Ch)	AGC target IN2 MSB	0	0	0	0	0	0	AGC_TARGETIN2[9:8]		00h
R93 (5Dh)	AGC target IN3 LSB	AGC_TARGETIN3[7:0]								00h
R94 (5Eh)	AGC target IN3 MSB	0	0	0	0	0	0	AGC_TARGETIN3[9:8]		00h
R95 (5Fh)	AGC target IN4 LSB	AGC_TARGETIN4[7:0]								00h
R96 (60h)	AGC target IN4 MSB	0	0	0	0	0	0	AGC_TARGETIN4[9:8]		00h
R97 (61h)	AGC target IN5 LSB	AGC_TARGETIN5[7:0]								00h
R98 (62h)	AGC target IN5 MSB	0	0	0	0	0	0	AGC_TARGETIN5[9:8]		00h
R99 (63h)	AGC target IN6 LSB	AGC_TARGETIN6[7:0]								00h

REG	NAME	7	6	5	4	3	2	1	0	DEFAULT	
R100 (64h)	AGC target IN6 MSB	0	0	0	0	0	0	AGC_TARGETIN6[9:8]		00h	
R101 (65h)	AGC target IN7 LSB	AGC_TARGETIN7[7:0]									00h
R102 (66h)	AGC target IN7 MSB	0	0	0	0	0	0	AGC_TARGETIN7[9:8]		00h	
R103 (67h)	AGC target IN8 LSB	AGC_TARGETIN8[7:0]									00h
R104 (68h)	AGC target IN8 MSB	0	0	0	0	0	0	AGC_TARGETIN8[9:8]		00h	
R105 (69h)	AGC target IN9 LSB	AGC_TARGETIN9[7:0]									00h
R106 (6Ah)	AGC target IN9 MSB	0	0	0	0	0	0	AGC_TARGETIN9[9:8]		00h	
R107 (6Bh)	AGC peak level IN1 LSB	PEAK_IN1[7:0]									00h
R108 (6Ch)	AGC peak level IN1 MSB	0	0	0	0	0	0	PEAK_IN1[9:8]		00h	
R109 (6Dh)	AGC peak level IN2 LSB	PEAK_IN2[7:0]									00h
R110 (6Eh)	AGC peak level IN2 MSB	0	0	0	0	0	0	PEAK_IN2[9:8]		00h	
R111 (6Fh)	AGC peak level IN3 LSB	PEAK_IN3[7:0]									00h
R112 (70h)	AGC peak level IN3 MSB	0	0	0	0	0	0	PEAK_IN3[9:8]		00h	
R113 (71h)	AGC peak level IN4 LSB	PEAK_IN4[7:0]									00h
R114 (72h)	AGC peak level IN4 MSB	0	0	0	0	0	0	PEAK_IN4[9:8]		00h	
R115 (73h)	AGC peak level IN5 LSB	PEAK_IN5[7:0]									00h
R116 (74h)	AGC peak level IN5 MSB	0	0	0	0	0	0	PEAK_IN5[9:8]		00h	
R117 (75h)	AGC peak level IN6 LSB	PEAK_IN6[7:0]									00h
R118 (76h)	AGC peak level IN6 MSB	0	0	0	0	0	0	PEAK_IN6[9:8]		00h	
R119 (77h)	AGC peak level IN7 LSB	PEAK_IN7[7:0]									00h
R120 (78h)	AGC peak level IN7 MSB	0	0	0	0	0	0	PEAK_IN7[9:8]		00h	
R121 (79h)	AGC peak level IN8 LSB	PEAK_IN8[7:0]									00h
R122 (7Ah)	AGC peak level IN8 MSB	0	0	0	0	0	0	PEAK_IN8[9:8]		00h	
R123 (7Bh)	AGC peak level IN9 LSB	PEAK_IN9[7:0]									00h
R124 (7Ch)	AGC peak level IN9 MSB	0	0	0	0	0	0	PEAK_IN9[9:8]		00h	
R128 (80h)	DLL config 1	0	0	DLGAIN[1:0]		0	DLLRST	CKOSTB	AFECKSTB	20h	
R129 (81h)	DLL config 2	0	0	LVLDGAIN[1:0]		0	0	LVDLLRST	LVDLLSTB	10h	
R130 (82h)	RSMP rise	0	0	RSMP_RISE[5:0]							1Ch
R131 (83h)	RSMP fall	0	0	RSMP_FALL[5:0]							26h
R132 (84h)	VSMP rise	0	0	VSMP_RISE[5:0]							00h
R133 (85h)	VSMP fall	0	0	VSMP_FALL[5:0]							08h
R134 (86h)	TGCKO rise	0	0	TCLKO_RISE[5:0]							37h
R135 (87h)	CLK1 rise	0	0	CLK1_RISE[5:0]							0Ah
R136 (88h)	CLK1 fall	0	0	CLK1_FALL[5:0]							19h
R137 (89h)	CLK2 rise	0	0	CLK2_RISE[5:0]							19h
R138 (8Ah)	CLK2fall	0	0	CLK2_FALL[5:0]							28h
R139 (8Bh)	CLK3 rise	0	0	CLK3_RISE[5:0]							28h
R140 (8Ch)	CLK3 fall	0	0	CLK3_FALL[5:0]							0Ah
R141 (8Dh)	CLK4 rise	0	0	CLK4_RISE[5:0]							00h
R142 (8Eh)	CLK4 fall	0	0	CLK4_FALL[5:0]							00h
R143 (8Fh)	CLK5 rise	0	0	CLK5_RISE[5:0]							0Ah
R144 (90h)	CLK5 fall	0	0	CLK5_FALL[5:0]							28h
R145 (91h)	CLK6 rise	0	0	CLK6_RISE[5:0]							0Ah
R146 (92h)	CLK6 fall	0	0	CLK6_FALL[5:0]							28h
R160 (A0h)	TG config 1	OFFSET[3:0]				CYCMD	POLSYNC	TGMD	TG_EN		00h
R161 (A1h)	TG config 2	LLENGTH[7:0]									00h
R162 (A2h)	TG config 3	0	LLENGTH[14:8]								00h
R163 (A3h)	TG config 4	FLAGPIX[7:0]									00h
R164 (A4h)	TG config 5	0	FLAGPIX[14:8]								00h

REG	NAME	7	6	5	4	3	2	1	0	DEFAULT
R165 (A5h)	TG config 6	OE_CLK8	OE_CLK7	OE_CLK6	OE_CLK5	OE_CLK4	OE_CLK3	OE_CLK2	OE_CLK1	FFh
R167 (A7h)	TG config 8	INV_CLK8	INV_CLK7	INV_CLK6	INV_CLK5	INV_CLK4	INV_CLK3	INV_CLK2	INV_CLK1	00h
R169 (A9h)	TG config 10	EN_CLK8	EN_CLK7	EN_CLK6	EN_CLK5	EN_CLK4	EN_CLK3	EN_CLK2	EN_CLK1	00h
R171 (Abh)	TG config 12	SEL_CLK3	SEL_PCK3[2:0]			SEL_CLK2	SEL_PCK2[2:0]			00h
R172 (Ach)	TG config 13	SEL_CLK5	SEL_PCK5[2:0]			SEL_CLK4	SEL_PCK4[2:0]			00h
R173 (Adh)	TG config 14	0	SEL_PCK7[2:0]			SEL_CLK6	SEL_PCK6[2:0]			00h
R174 (Aeh)	TG config 15	0	0	0	0	0	SEL_PCK8[2:0]			00h
R176 (B0h)	TG config 17	DEL_PCK5[1:0]		DEL_PCK4[1:0]		DEL_PCK3[1:0]		DEL_PCK2[1:0]		00h
R177 (B1h)	TG config 18	0	0	DEL_PCK8[1:0]		DEL_PCK7[1:0]		DEL_PCK6[1:0]		00h
R178 (B2h)	TG config 19	0	0	0	0	0	0	0	0	00h
R179 (B3h)	TG config 20	0	0	0	INV_M3	INV_M2	INV_M1	INV_T2	INV_T1	00h
R180 (B4h)	TG config 21	0	0	0	0	SEL_FLAG[3:0]			00h	
R181 (B5h)	TG config 22	0	CYCPAT_PO1[2:0]			0	CYCPAT_PO0[2:0]			00h
R182 (B6h)	TG config 23	0	CYCPAT_PO3[2:0]			0	CYCPAT_PO2[2:0]			00h
R183 (B7h)	TG config 24	0	CYCPAT_PO5[2:0]			0	CYCPAT_PO4[2:0]			00h
R184 (B8h)	TG config 25	0	CYCPAT_PO7[2:0]			0	CYCPAT_PO6[2:0]			00h
R185 (B9h)	clamp enable rise LSB	CLAMP_RISE[7:0]								00h
R186 (Bah)	clamp enable rise MSB	0	CLAMP_RISE[14:8]							00h
R187 (BBh)	clamp enable fall LSB	CLAMP_FALL[7:0]								00h
R188 (BCh)	clamp enable fall MSB	0	CLAMP_FALL[14:8]							00h
R189 (BDh)	OB start LSB	OB_START[7:0]								00h
R190 (Beh)	OB start MSB	0	OB_START[14:8]							00h
R191 (BFh)	peak_det rise LSB	PEAKDET_RISE[7:0]								00h
R192 (C0h)	peak_det rise MSB	0	PEAKDET_RISE[14:8]							00h
R193 (C1h)	peak_det fall LSB	PEAKDET_FALL[7:0]								00h
R194 (C2h)	peak_det fall MSB	0	PEAKDET_FALL[14:8]							00h
R195 (C3h)	Mask pulse 1 rise LSB	M1_RISE[7:0]								00h
R196 (C4h)	Mask pulse 1 rise MSB	0	M1_RISE[14:8]							00h
R197 (C5h)	Mask pulse 1 fall LSB	M1_FALL[7:0]								00h
R198 (C6h)	Mask pulse 1 fall MSB	0	M1_FALL[14:8]							00h
R199 (C7h)	Mask pulse 2 rise LSB	M2_RISE[7:0]								00h
R200 (C8h)	Mask pulse 2 rise MSB	0	M2_RISE[14:8]							00h
R201 (C9h)	Mask pulse 2 fall LSB	M2_FALL[7:0]								00h
R202 (Cah)	Mask pulse 2 fall MSB	0	M2_FALL[14:8]							00h
R203 (CBh)	Mask pulse 3 rise LSB	M3_RISE[7:0]								00h
R204 (CCh)	Mask pulse 3 rise MSB	0	M3_RISE[14:8]							00h
R205 (CDh)	Mask pulse 3 fall LSB	M3_FALL[7:0]								00h
R206 (Ceh)	Mask pulse 3 fall MSB	0	M3_FALL[14:8]							00h
R207 (CFh)	Toggle point 0 LSB	TP0[7:0]								00h
R208 (D0h)	Toggle point 0 MSB	GEN_TP0	TP0[14:8]							00h
R209 (D1h)	Toggle point 1 LSB	TP1[7:0]								00h
R210 (D2h)	Toggle point 1 MSB	EN_TP1	TP1[14:8]							00h
R211 (D3h)	Toggle point 2 LSB	TP2[7:0]								00h
R212 (D4h)	Toggle point 2 MSB	EN_TP2	TP2[14:8]							00h
R213 (D5h)	Toggle point 3 LSB	TP3[7:0]								00h
R214 (D6h)	Toggle point 3 MSB	EN_TP3	TP3[14:8]							00h
R215 (D7h)	Toggle point 4 LSB	TP4[7:0]								00h
R216 (D8h)	Toggle point 4 MSB	EN_TP4	TP4[14:8]							00h
R217 (D9h)	Toggle point 5 LSB	TP5[7:0]								00h

REG	NAME	7	6	5	4	3	2	1	0	DEFAULT
R218 (Dah)	Toggle point 5 MSB	EN_TP5	TP5[14:8]							00h
R219 (DBh)	Toggle point 6 LSB	TP6[7:0]							00h	
R220 (DCh)	Toggle point 6 MSB	EN_TP6	TP6[14:8]							00h
R221 (DDh)	Toggle point 7 LSB	TP7[7:0]							00h	
R222 (Deh)	Toggle point 7 MSB	EN_TP7	TP7[14:8]							00h
R223 (DFh)	Toggle point 8 LSB	TP8[7:0]							00h	
R224 (E0h)	Toggle point 8 MSB	EN_TP8	TP8[14:8]							00h
R225 (E1h)	Toggle point 9 LSB	TP9[7:0]							00h	
R226 (E2h)	Toggle point 9 MSB	EN_TP9	TP9[14:8]							00h
R227 (E3h)	Toggle point 10 LSB	TP10[7:0]							00h	
R228 (E4h)	Toggle point 10 MSB	EN_TP10	TP10[14:8]							00h
R229 (E5h)	Toggle point 11 LSB	TP11[7:0]							00h	
R230 (E6h)	Toggle point 11 MSB	EN_TP11	TP11[14:8]							00h
R231 (E7h)	Toggle point 12 LSB	TP12[7:0]							00h	
R232 (E8h)	Toggle point 12 MSB	EN_TP12	TP12[14:8]							00h
R233 (E9h)	Toggle point 13 LSB	TP13[7:0]							00h	
R234 (Eah)	Toggle point 13 MSB	EN_TP13	TP13[14:8]							00h
R235 (Ebh)	Toggle point 14 LSB	TP14[7:0]							00h	
R236 (Ech)	Toggle point 14 MSB	EN_TP14	TP14[14:8]							00h
R237 (Edh)	Toggle point 15 LSB	TP15[7:0]							00h	
R238 (Eeh)	Toggle point 15 MSB	EN_TP15	TP15[14:8]							00h
R239 (Efh)	Toggle point 16 LSB	TP16[7:0]							00h	
R240 (F0h)	Toggle point 16 MSB	EN_TP16	TP16[14:8]							00h
R241 (F1h)	Toggle point 17 LSB	TP17[7:0]							00h	
R242 (F2h)	Toggle point 17 MSB	EN_TP17	TP17[14:8]							00h
R243 (F3h)	Toggle point 18 LSB	TP18[7:0]							00h	
R244 (F4h)	Toggle point 18 MSB	EN_TP18	TP18[14:8]							00h
R245 (F5h)	Toggle point 19 LSB	TP19[7:0]							00h	
R246 (F6h)	Toggle point 19 MSB	EN_TP19	TP19[14:8]							00h
R247 (F7h)	Toggle point 20 LSB	TP20[7:0]							00h	
R248 (F8h)	Toggle point 20 MSB	EN_TP20	TP20[14:8]							00h
R249 (F9h)	Toggle point 21 LSB	TP21[7:0]							00h	
R250 (Fah)	Toggle point 21 MSB	EN_TP21	TP21[14:8]							00h
R251 (FBh)	Toggle point 22 LSB	TP22[7:0]							00h	
R252 (FCh)	Toggle point 22 MSB	EN_TP22	TP22[14:8]							00h
R253 (FDh)	Toggle point 23 LSB	TP23[7:0]							00h	
R254 (Feh)	Toggle point 23 MSB	EN_TP23	TP23[14:8]							00h
R255 (FFh)	Toggle point 24 LSB	TP24[7:0]							00h	
R256 (100h)	Toggle point 24 MSB	EN_TP24	TP24[14:8]							00h
R257 (101h)	Toggle point 25 LSB	TP25[7:0]							00h	
R258 (102h)	Toggle point 25 MSB	EN_TP25	TP25[14:8]							00h
R259 (103h)	Toggle point 26 LSB	TP26[7:0]							00h	
R260 (104h)	Toggle point 26 MSB	EN_TP26	TP26[14:8]							00h
R261 (105h)	Toggle point 27 LSB	TP27[7:0]							00h	
R262 (106h)	Toggle point 27 MSB	EN_TP27	TP27[14:8]							00h
R263 (107h)	Toggle point 28 LSB	TP28[7:0]							00h	
R264 (108h)	Toggle point 28 MSB	EN_TP28	TP28[14:8]							00h
R265 (109h)	Toggle point 29 LSB	TP29[7:0]							00h	
R266 (10Ah)	Toggle point 29 MSB	EN_TP29	TP29[14:8]							00h

REG	NAME	7	6	5	4	3	2	1	0	DEFAULT	
R267 (10Bh)	Toggle point 30 LSB	TP30[7:0]								00h	
R268 (10Ch)	Toggle point 30 MSB	EN_TP30	TP30[14:8]								00h
R269 (10Dh)	Toggle point 31 LSB	TP31[7:0]								00h	
R270 (10Eh)	Toggle point 31 MSB	EN_TP31	TP31[14:8]								00h
R271 (10Fh)	Polarity setting of T1 1	POL7_T1	POL6_T1	POL5_T1	POL4_T1	POL3_T1	POL2_T1	POL1_T1	POL0_T1	FFh	
R272 (110h)	Polarity setting of T1 2	POL15_T1	POL14_T1	POL13_T1	POL12_T1	POL11_T1	POL10_T1	POL9_T1	POL8_T1	FFh	
R273 (111h)	Polarity setting of T1 3	POL23_T1	POL22_T1	POL21_T1	POL20_T1	POL19_T1	POL18_T1	POL17_T1	POL16_T1	FFh	
R274 (112h)	Polarity setting of T1 4	POL31_T1	POL30_T1	POL29_T1	POL28_T1	POL27_T1	POL26_T1	POL25_T1	POL24_T1	FFh	
R275 (113h)	Polarity setting of T2 1	POL7_T2	POL6_T2	POL5_T2	POL4_T2	POL3_T2	POL2_T2	POL1_T2	POL0_T2	FFh	
R276 (114h)	Polarity setting of T2 2	POL15_T2	POL14_T2	POL13_T2	POL12_T2	POL11_T2	POL10_T2	POL9_T2	POL8_T2	FFh	
R277 (115h)	Polarity setting of T2 3	POL23_T2	POL22_T2	POL21_T2	POL20_T2	POL19_T2	POL18_T2	POL17_T2	POL16_T2	FFh	
R278 (116h)	Polarity setting of T2 4	POL31_T2	POL30_T2	POL29_T2	POL28_T2	POL27_T2	POL26_T2	POL25_T2	POL24_T2	FFh	
R279 (117h)	Polarity setting of P0 1	POL7_P00	POL6_P00	POL5_P00	POL4_P00	POL3_P00	POL2_P00	POL1_P00	POL0_P00	00h	
R280 (118h)	Polarity setting of P0 2	POL15_P00	POL14_P00	POL13_P00	POL12_P00	POL11_P00	POL10_P00	POL9_P00	POL8_P00	00h	
R281 (119h)	Polarity setting of P0 3	POL23_P00	POL22_P00	POL21_P00	POL20_P00	POL19_P00	POL18_P00	POL17_P00	POL16_P00	00h	
R282 (11Ah)	Polarity setting of P0 4	POL31_P00	POL30_P00	POL29_P00	POL28_P00	POL27_P00	POL26_P00	POL25_P00	POL24_P00	00h	
R283 (11Bh)	Polarity setting of P1 1	POL7_P01	POL6_P01	POL5_P01	POL4_P01	POL3_P01	POL2_P01	POL1_P01	POL0_P01	00h	
R284 (11Ch)	Polarity setting of P1 2	POL15_P01	POL14_P01	POL13_P01	POL12_P01	POL11_P01	POL10_P01	POL9_P01	POL8_P01	00h	
R285 (11Dh)	Polarity setting of P1 3	POL23_P01	POL22_P01	POL21_P01	POL20_P01	POL19_P01	POL18_P01	POL17_P01	POL16_P01	00h	
R286 (11Eh)	Polarity setting of P1 4	POL31_P01	POL30_P01	POL29_P01	POL28_P01	POL27_P01	POL26_P01	POL25_P01	POL24_P01	00h	
R287 (11Fh)	Polarity setting of P2 1	POL7_P02	POL6_P02	POL5_P02	POL4_P02	POL3_P02	POL2_P02	POL1_P02	POL0_P02	00h	
R288 (120h)	Polarity setting of P2 2	POL15_P02	POL14_P02	POL13_P02	POL12_P02	POL11_P02	POL10_P02	POL9_P02	POL8_P02	00h	
R289 (121h)	Polarity setting of P2 3	POL23_P02	POL22_P02	POL21_P02	POL20_P02	POL19_P02	POL18_P02	POL17_P02	POL16_P02	00h	
R290 (122h)	Polarity setting of P2 4	POL31_P02	POL30_P02	POL29_P02	POL28_P02	POL27_P02	POL26_P02	POL25_P02	POL24_P02	00h	
R291 (123h)	Polarity setting of P3 1	POL7_P03	POL6_P03	POL5_P03	POL4_P03	POL3_P03	POL2_P03	POL1_P03	POL0_P03	00h	
R292 (124h)	Polarity setting of P3 2	POL15_P03	POL14_P03	POL13_P03	POL12_P03	POL11_P03	POL10_P03	POL9_P03	POL8_P03	00h	
R293 (125h)	Polarity setting of P3 3	POL23_P03	POL22_P03	POL21_P03	POL20_P03	POL19_P03	POL18_P03	POL17_P03	POL16_P03	00h	
R294 (126h)	Polarity setting of P3 4	POL31_P03	POL30_P03	POL29_P03	POL28_P03	POL27_P03	POL26_P03	POL25_P03	POL24_P03	00h	
R295 (127h)	Polarity setting of P4 1	POL7_P04	POL6_P04	POL5_P04	POL4_P04	POL3_P04	POL2_P04	POL1_P04	POL0_P04	00h	
R296 (128h)	Polarity setting of P4 2	POL15_P04	POL14_P04	POL13_P04	POL12_P04	POL11_P04	POL10_P04	POL9_P04	POL8_P04	00h	
R297 (129h)	Polarity setting of P4 3	POL23_P04	POL22_P04	POL21_P04	POL20_P04	POL19_P04	POL18_P04	POL17_P04	POL16_P04	00h	
R298 (12Ah)	Polarity setting of P4 4	POL31_P04	POL30_P04	POL29_P04	POL28_P04	POL27_P04	POL26_P04	POL25_P04	POL24_P04	00h	
R299 (12Bh)	Polarity setting of P5 1	POL7_P05	POL6_P05	POL5_P05	POL4_P05	POL3_P05	POL2_P05	POL1_P05	POL0_P05	00h	
R300 (12Ch)	Polarity setting of P5 2	POL15_P05	POL14_P05	POL13_P05	POL12_P05	POL11_P05	POL10_P05	POL9_P05	POL8_P05	00h	
R301 (12Dh)	Polarity setting of P5 3	POL23_P05	POL22_P05	POL21_P05	POL20_P05	POL19_P05	POL18_P05	POL17_P05	POL16_P05	00h	
R302 (12Eh)	Polarity setting of P5 4	POL31_P05	POL30_P05	POL29_P05	POL28_P05	POL27_P05	POL26_P05	POL25_P05	POL24_P05	00h	
R303 (12Fh)	Polarity setting of P6 1	POL7_P06	POL6_P06	POL5_P06	POL4_P06	POL3_P06	POL2_P06	POL1_P06	POL0_P06	00h	
R304 (130h)	Polarity setting of P6 2	POL15_P06	POL14_P06	POL13_P06	POL12_P06	POL11_P06	POL10_P06	POL9_P06	POL8_P06	00h	
R305 (131h)	Polarity setting of P6 3	POL23_P06	POL22_P06	POL21_P06	POL20_P06	POL19_P06	POL18_P06	POL17_P06	POL16_P06	00h	
R306 (132h)	Polarity setting of P6 4	POL31_P06	POL30_P06	POL29_P06	POL28_P06	POL27_P06	POL26_P06	POL25_P06	POL24_P06	00h	
R307 (133h)	Polarity setting of P7 1	POL7_P07	POL6_P07	POL5_P07	POL4_P07	POL3_P07	POL2_P07	POL1_P07	POL0_P07	00h	
R308 (134h)	Polarity setting of P7 2	POL15_P07	POL14_P07	POL13_P07	POL12_P07	POL11_P07	POL10_P07	POL9_P07	POL8_P07	00h	
R309 (135h)	Polarity setting of P7 3	POL23_P07	POL22_P07	POL21_P07	POL20_P07	POL19_P07	POL18_P07	POL17_P07	POL16_P07	00h	
R310 (136h)	Polarity setting of P7 4	POL31_P07	POL30_P07	POL29_P07	POL28_P07	POL27_P07	POL26_P07	POL25_P07	POL24_P07	00h	

**EXTENDED PAGE REGISTERS**

R432 (1B0h)	User access control	0	0	0	0	0	0	0	USER_KEY	00h
R436 (1B4h)	LDO2 control	0	0	0	LDO2_VSEL					10h

R448 (1C0h)	USER_KEY2	0	0	0	0	0	0	0	USER_KEY2	00h
R459 (1CBh)	Comp control	0	0	0	0	0	0	0	PT_COMP[1:0]	01h

**Notes:**

1. To change the LDO2 control, the USER\_KEY bit must be set to '1'.
2. If it's not required to change this register, it must be set as default.
3. To change the Comp control, the USER\_KEY2 bit must be set to '1'.
4. If it's not required to change this register, must be set as default.

**REGISTER BITS BY ADDRESS**

REGISTER ADDRESS	BIT	LABEL	DEFAULT	DESCRIPTION	REFER TO
R0 (00h) Software Reset/Chip ID 1	7:0	SW_RESET_CHIP_ID[7:0]	0011_0101	A write issues a software reset, and returns all control registers to their default values. A read returns lower bits of the device ID	

**Register 00h** Software Reset/Chip ID 1

REGISTER ADDRESS	BIT	LABEL	DEFAULT	DESCRIPTION	REFER TO
R1 (01h) Chip ID 2	7:0	CHIP_ID[7:0]	1000_0010	A read returns upper bits of the device ID	

**Register 01h** Chip ID 2

REGISTER ADDRESS	BIT	LABEL	DEFAULT	DESCRIPTION	REFER TO
R2 (02h) Chip Rev	3:0	CHIP_REV[3:0]	0000	A read returns the device revision number	

**Register 02h** Chip Rev

REGISTER ADDRESS	BIT	LABEL	DEFAULT	DESCRIPTION	REFER TO
R3 (03h) Setup Reg 1	4	CHZPD	0	ADC powerdown control for channel 7&8&9 (related PGA and digits goes power down) 0 = normal operation 1 = power down	
	3	CHYPD	0	ADC powerdown control for channel 4&5&6 (related PGA and digits goes power down) 0 = normal operation 1 = power down	
	2	CHXPD	0	ADC powerdown control for channel 1&2&3 (related PGA and digits goes power down) 0 = normal operation 1 = power down	
	1	PDMD	0	power down mode 0 : standby 1 : sleep	
	0	PD	0	power down 0 : normal operation 1 : power down	

**Register 03h** Setup Reg 1



REGISTER ADDRESS	BIT	LABEL	DEFAULT	DESCRIPTION	REFER TO
R4 (04h) Setup Reg 2	7	VRLC_TOP_SE L	0	selects output range of VRLCDAC 0 = AVDD 1 = 1.6V	
	6	PGAFS	1	control PGA input polarity 0 = negative 1 = positive	
	5	ADCFS	0	control ADC full scale range 0 = 1.2V 1 = 1.8V	
	1	CLPMD	0	select clamp mode 0 = line clamp 1 = bit clamp	
	0	CDS	0	CDS mode control 0 = S/H mode 1 = CDS mode	

**Register 04h** Setup Reg 2

REGISTER ADDRESS	BIT	LABEL	DEFAULT	DESCRIPTION	REFER TO
R5 (05h) Setup Reg 3	4	SF_BYPLS	1	bypass level shift of VRLC source follower 0 = use level shifter 1 = bypass level shifter	
	3:2	PT_SF[1:0]	11	source follower power trim 00 = 1mA 01 = 2mA 10 = 3mA 11 = 4mA	
	1	SF_INP	0	control source follower on signal inputs INP* 0 = disabled 1 = enabled	
	0	SF_VRLC	0	control source follower on VRLC 0 = disabled 1 = enabled	

**Register 05h** Setup Reg 3

REGISTER ADDRESS	BIT	LABEL	DEFAULT	DESCRIPTION	REFER TO
R6 (06h) VRLC control	7	VRLCEN	1	enable for VRLC DAC 0 = disabled 1 = enabled	
	6:5	VRLC_ISEL[1:0]	00	selects output current capability 00 = Up to 2mA 01 = Up to 3mA 10 = Up to 4mA 11 = reserved (Up to 2mA)	

REGISTER ADDRESS	BIT	LABEL	DEFAULT	DESCRIPTION	REFER TO
	4:0	VRLC_VSEL[4:0]	0_1010	VRLC output voltage setting  when VRLC_TOP_SEL=0 (AVDD) $3.3/AVDD * (0.2 + 0.09 \times VRLC\_VSEL[4:0])$  when VRLC_TOP_SEL=1 (1.6V) $1.6 - 0.048 * (31 - VRLC\_VSEL[4:0])$	

**Register 06h** VRLC control

REGISTER ADDRESS	BIT	LABEL	DEFAULT	DESCRIPTION	REFER TO
R7 (07h) output control	7	OE_OP	0	output enable of dataout (CMOS/LVDS) when HIZCTRL=0 0= Hi-Z 1= enable dataout when HIZCTRL=1 OE_OP state is neglected and enable dataout	
	6	OUTPD	1	control data output 0 = enable data output 1 = mask data output (data out=0)	
	5	CMOSMODE	0	enable CMOS output mode 0 = LVDS output mode based on LVDSMODE[2:0] 1 = CMOS output mode	
	4	OUTSYNC	0	enable specificati output mode 0 = continuous 1 = specificatio dataout with LineStart signal	
	3	LVDSORDER	0	control LVDS data output order 0 = descending order 1 = ascending order	
	2:0	LVDSMODE[2:0]	000	select LVDS dataoutput format 000 = 10bit 5pair + clk 001 = 10bit 3pair + clk 011 = 12bit 4pair + clk 101 = 16bit 5pair + clk 110 = 16bit 3pair + clk Others = reserved	

**Register 07h** output control

REGISTER ADDRESS	BIT	LABEL	DEFAULT	DESCRIPTION	REFER TO
R8 (08h) LVDS control	6	LVDS_POL	0	invert LVDS outputs polarity 0 = normal 1 = inverted	
	5:3	LVDS_AMP[2:0]	110	LVDS amplitude select 000 = 50mV 001 = 100mV 010 = 150mV 011 = 200mV All other codes are Reserved. Note that the default code (110) should not be used.	

REGISTER ADDRESS	BIT	LABEL	DEFAULT	DESCRIPTION	REFER TO
	2:0	LVDS_VCM[2:0]	101	LVDS common mode select 000 = 0.70V 001 = 0.80V 010 = 0.90V 011 = 1.00V 100 = 1.15V 101 = 1.25V 110 = 1.35V 111 = 1.45V	

**Register 08h** LVDS control

REGISTER ADDRESS	BIT	LABEL	DEFAULT	DESCRIPTION	REFER TO
R9 (09h) LVDS clock pattern	6:0	LVCKPAT[6:0]	110_0011	LVDS clock pattern (output MSB first)	

**Register 09h** LVDS clock pattern

REGISTER ADDRESS	BIT	LABEL	DEFAULT	DESCRIPTION	REFER TO
R10 (0Ah) flag control 1	7:4	FLAG_S1[3:0]	0001	output dataflag as S1 (valid only LVDS mode) 0000 = always low 0001 = start flag 0010 = reserved 0011 = reserved 0100 = reserved 0101 = channel ID[0] 0110 = channel ID[1] 0111 = channel ID[2] 1000 = channel ID[3] 1001 = reserved 1010 = reserved 1011 = reserved 1100 = reserved 1101 = reserved 1110 = reserved 1111 = always high	
	3:0	FLAG_S0[3:0]	0000	output dataflag as S0 (valid only LVDS mode) 0000 = always low 0001 = start flag 0010 = reserved 0011 = reserved 0100 = reserved 0101 = channel ID[0] 0110 = channel ID[1] 0111 = channel ID[2] 1000 = channel ID[3] 1001 = reserved 1010 = reserved	

REGISTER ADDRESS	BIT	LABEL	DEFAULT	DESCRIPTION	REFER TO
				1011 = reserved 1100 = reserved 1101 = reserved 1110 = reserved 1111 = always high	

**Register 0Ah** flag control 1

REGISTER ADDRESS	BIT	LABEL	DEFAULT	DESCRIPTION	REFER TO
R11 (0Bh) flag control 2	7:4	FLAG_S3[3:0]	0000	output dataflag as S3 (valid only LVDS mode) 0000 = always low 0001 = start flag 0010 = reserved 0011 = reserved 0100 = reserved 0101 = channel ID[0] 0110 = channel ID[1] 0111 = channel ID[2] 1000 = channel ID[3] 1001 = reserved 1010 = reserved 1011 = reserved 1100 = reserved 1101 = reserved 1110 = reserved 1111 = always high	
	3:0	FLAG_S2[3:0]	0000	output dataflag as S2 (valid only LVDS mode) 0000 = always low 0001 = start flag 0010 = reserved 0011 = reserved 0100 = reserved 0101 = channel ID[0] 0110 = channel ID[1] 0111 = channel ID[2] 1000 = channel ID[3] 1001 = reserved 1010 = reserved 1011 = reserved 1100 = reserved 1101 = reserved 1110 = reserved 1111 = always high	

**Register 0Bh** flag control 2

REGISTER ADDRESS	BIT	LABEL	DEFAULT	DESCRIPTION	REFER TO
R12 (0Ch) flag control 3	3:0	FLAG_S4[3:0]	0000	output dataflag as S4	

REGISTER ADDRESS	BIT	LABEL	DEFAULT	DESCRIPTION	REFER TO
				(valid only LVDS mode) 0000 = always low 0001 = start flag 0010 = reserved 0011 = reserved 0100 = reserved 0101 = channel ID[0] 0110 = channel ID[1] 0111 = channel ID[2] 1000 = channel ID[3] 1001 = reserved 1010 = reserved 1011 = reserved 1100 = reserved 1101 = reserved 1110 = reserved 1111 = always high	

**Register 0Ch** flag control 3

REGISTER ADDRESS	BIT	LABEL	DEFAULT	DESCRIPTION	REFER TO
R13 (0Dh) CMOS drivability control 1	3	DRV_CTRL	0	CMOS output drivability control mode 0 = OP_DRV controls drivability of all output pins OP* 1 = OP_DRV is invalid, and OP*_DRV control drivability of output pin OP*	
	2:0	OP_DRV[2:0]	000	CMOS output drivability control when DRV_CTRL=0 000: Hi-Z 001: 1mA 010: 2mA 011: 3mA 100: 4mA 101: 5mA 110/111: 6mA	

**Register 0Dh** CMOS drivability control 1

REGISTER ADDRESS	BIT	LABEL	DEFAULT	DESCRIPTION	REFER TO
R14 (0Eh) CMOS drivability control 2	6:4	OP1_DRV[2:0]	000	CMOS output (OP2) drivability 000: Hi-Z 001: 1mA 010: 2mA 011: 3mA 100: 4mA 101: 5mA 110/111: 6mA	

REGISTER ADDRESS	BIT	LABEL	DEFAULT	DESCRIPTION	REFER TO
	2:0	OP0_DRV[2:0]	000	CMOS output (OP1) drivability 000: Hi-Z 001: 1mA 010: 2mA 011: 3mA 100: 4mA 101: 5mA 110/111: 6mA	

**Register 0Eh** CMOS drivability control 2

REGISTER ADDRESS	BIT	LABEL	DEFAULT	DESCRIPTION	REFER TO
R15 (0Fh) CMOS drivability control 3	6:4	OP3_DRV[2:0]	000	CMOS output (OP4) drivability 000: Hi-Z 001: 1mA 010: 2mA 011: 3mA 100: 4mA 101: 5mA 110/111: 6mA	
	2:0	OP2_DRV[2:0]	000	CMOS output (OP3) drivability 000: Hi-Z 001: 1mA 010: 2mA 011: 3mA 100: 4mA 101: 5mA 110/111: 6mA	

**Register 0Fh** CMOS drivability control 3

REGISTER ADDRESS	BIT	LABEL	DEFAULT	DESCRIPTION	REFER TO
R16 (10h) CMOS drivability control 4	6:4	OP5_DRV[2:0]	000	CMOS output (OP6) drivability 000: Hi-Z 001: 1mA 010: 2mA 011: 3mA 100: 4mA 101: 5mA 110/111: 6mA	
	2:0	OP4_DRV[2:0]	000	CMOS output (OP5) drivability 000: Hi-Z 001: 1mA 010: 2mA 011: 3mA 100: 4mA 101: 5mA 110/111: 6mA	

**Register 10h** CMOS drivability control 4

REGISTER ADDRESS	BIT	LABEL	DEFAULT	DESCRIPTION	REFER TO
R17 (11h) CMOS drivability control 5	6:4	OP7_DRV[2:0]	000	CMOS output (OP8) drivability 000: Hi-Z 001: 1mA 010: 2mA 011: 3mA 100: 4mA 101: 5mA 110/111: 6mA	
	2:0	OP6_DRV[2:0]	000	CMOS output (OP7) drivability 000: Hi-Z 001: 1mA 010: 2mA 011: 3mA 100: 4mA 101: 5mA 110/111: 6mA	

**Register 11h** CMOS drivability control 5

REGISTER ADDRESS	BIT	LABEL	DEFAULT	DESCRIPTION	REFER TO
R18 (12h) CMOS drivability control 6	6:4	OP9_DRV[2:0]	000	CMOS output (OP10) drivability 000: Hi-Z 001: 1mA 010: 2mA 011: 3mA 100: 4mA 101: 5mA 110/111: 6mA	
	2:0	OP8_DRV[2:0]	000	CMOS output (OP9) drivability 000: Hi-Z 001: 1mA 010: 2mA 011: 3mA 100: 4mA 101: 5mA 110/111: 6mA	

**Register 12h** CMOS drivability control 6

REGISTER ADDRESS	BIT	LABEL	DEFAULT	DESCRIPTION	REFER TO
R19 (13h) CMOS drivability control 7	6:4	OC2_DRV[2:0]	000	CMOS output (OC2) drivability 000: Hi-Z 001: 1mA 010: 2mA 011: 3mA 100: 4mA 101: 5mA 110/111: 6mA	

REGISTER ADDRESS	BIT	LABEL	DEFAULT	DESCRIPTION	REFER TO
	2:0	OC1_DRV[2:0]	000	CMOS output (OC1) drivability 000: Hi-Z 001: 1mA 010: 2mA 011: 3mA 100: 4mA 101: 5mA 110/111: 6mA	

**Register 13h** CMOS drivability control 7

REGISTER ADDRESS	BIT	LABEL	DEFAULT	DESCRIPTION	REFER TO
R20 (14h) PG config	7	PGMARCH	0	pattern generator marching mode enable 0 = controlled by PGPAT 1 = marching pattern	
	6:5	PGPAT[1:0]	00	select pattern generator output 00 = fixed value 01 = vertical ramp 10 = horizontal ramp 11 = patch	
	4	PGINV	0	invert pattern generator output 0 = normal 1 = invert	
	3	SEL_PGZ	0	select output of pattern generator (IN7, IN8, IN9) 0 = normal output 1 = output generated digital pattern instead of ADC outputs	
	2	SEL_PGY	0	select output of pattern generator (IN4, IN5, IN6) 0 = normal output 1 = output generated digital pattern instead of ADC outputs	
	1	SEL_PGX	0	select output of pattern generator (IN1, IN2, IN3) 0 = normal output 1 = output generated digital pattern instead of ADC outputs	
	0	PGEN	0	enable pattern generator 0 = disable 1 = enable	

**Register 14h** PG config

REGISTER ADDRESS	BIT	LABEL	DEFAULT	DESCRIPTION	REFER TO
R21 (15h) PGCODE LSB	7:0	PGLEVEL[7:0]	0000_0000	parameter of pattern generator	

**Register 15h** PGCODE LSB

REGISTER ADDRESS	BIT	LABEL	DEFAULT	DESCRIPTION	REFER TO
R22 (16h) PGCODE MSB	7:0	PGLEVEL[7:0]	0000_0000	parameter of pattern generator	



**Register 16h PGCODE MSB**

REGISTER ADDRESS	BIT	LABEL	DEFAULT	DESCRIPTION	REFER TO
R23 (17h) PG width 1	7:0	PGWIDTH1[7:0]	0000_0000	parameter of pattern generator	

**Register 17h PG width 1**

REGISTER ADDRESS	BIT	LABEL	DEFAULT	DESCRIPTION	REFER TO
R24 (18h) PG width 2	7:0	PGWIDTH2[7:0]	0000_0000	parameter of pattern generator	

**Register 18h PG width 2**

REGISTER ADDRESS	BIT	LABEL	DEFAULT	DESCRIPTION	REFER TO
R25 (19h) clock monitor	2:0	MONCLK[2:0]	000	select monitor output 0xx = Low (monitor disabled) 100 = RSMP 101 = VSMP 110 = ACLK 111 = OCLK	

**Register 19h clock monitor**

REGISTER ADDRESS	BIT	LABEL	DEFAULT	DESCRIPTION	REFER TO
R26 (1Ah) PLL control 1	2	PLL_LPF_RST	0	Reset Loop Filter. 0 = normal 1 = reset	
	1	PLL_CP_PD	0	power down Charge Pump. 0 = normal 1 = power down	
	0	PLL_VCO_PD	0	power down VCO 0 = normal 1 = power down	

**Register 1Ah PLL control 1**

REGISTER ADDRESS	BIT	LABEL	DEFAULT	DESCRIPTION	REFER TO
R27 (1Bh) PLL control 2	7	PLL_LPF_SEL	0	PLL_LPF_SEL[1] is unused.  Control Loop Filter to improve the performance. Note: these settings are applicable for the specific conditions. X0 = normal filter x1 = larger resistor to improve PLL cutoff freq (for SSC)	
	6	PLL_LPF_SEL	0	PLL_LPF_SEL[1] is unused.  Control Loop Filter to improve the performance.	

REGISTER ADDRESS	BIT	LABEL	DEFAULT	DESCRIPTION	REFER TO
				Note: these settings are applicable for the specific conditions. X0 = normal filter x1 = larger resistor to improve PLL cutoff freq (for SSC)	
	3:2	PLL_PFD_CTRL[1:0]	10	Control reset delay to improve PFD sensitivity. 00 = 1ns delay 01 = 2.2ns delay 10 = 3.4ns delay (default) 11 = 5.8ns delay	
	1:0	PLL_CP_GAIN[1:0]	01	Control Charge Pump current. 00 = 0.5uA 01 = 1uA (default) 10 = 2uA 11 = 4uA	

**Register 1Bh** PLL control 2

REGISTER ADDRESS	BIT	LABEL	DEFAULT	DESCRIPTION	REFER TO
R28 (1Ch) PLL divider control 1	6:4	PLL_EXDIV_SEL[2:0]	001	Select EX DIV ratio. Need to set according to input frequency. See details in "PLL DLL Setup" 000 = 1 001 = 2 010 = 4 011 = 8 100 = 16 101 to 111 = reserved.	
	3:0	PLL_FBDIV_SEL[3:0]	0100	Select FB DIV ratio. (ReadOnly) 0000 = 1 0001 = 2 0010 = 3 0011 = 4 0100 = 6 0101 = 8 0110 = 9 0111 = 12 1000 = 18 1001 to 1111 = reserved.	

**Register 1Ch** PLL divider control 1

REGISTER ADDRESS	BIT	LABEL	DEFAULT	DESCRIPTION	REFER TO
R29 (1Dh) PLL divider control 2	5:4	PLL_POSTDIV2_SEL[1:0]	01	Select POST DIV2 ratio. (Read Only) 00 = 1 01 = 2 10 = 4 11 = 6	
	3:0	PLL_POSTDIV1_SEL[3:0]	0100	Select POST DIV1 ratio. (Read Only) 0000 = 1 0001 = 2	

REGISTER ADDRESS	BIT	LABEL	DEFAULT	DESCRIPTION	REFER TO
				0010 = 3 0011 = 4 0100 = 6 0101 = 8 0110 = 9 0111 = 12 1000 = 18 1001 to 1111 = reserved.	

**Register 1Dh** PLL divider control 2

REGISTER ADDRESS	BIT	LABEL	DEFAULT	DESCRIPTION	REFER TO
R35 (23h) Cycle mode control	3:2	INTM[1:0]	00	When LINEBYLINE=1, controls the GAIN and DAC mux selector when ACYC=0 00 = IN7 01 = IN8 10 = IN9 11 = reserved	
	1	ACYC	0	when LINEBYLINE=1, determines the function of the MUX control 0 = decided by INTM register 1= auto-cycling enabled	
	0	LINEBYLINE	0	select line by line operation 0=normal operation 1=Line by Line operation	

**Register 23h** cycle mode control

REGISTER ADDRESS	BIT	LABEL	DEFAULT	DESCRIPTION	REFER TO
R36 (24h) DAC IN1	7:0	DACIN1[7:0]	1000_0000	DACIN1offset value $250 * (DACIN1[7:0] - 127.5) / 127.5$ [mV]	

**Register 24h** DAC IN1

REGISTER ADDRESS	BIT	LABEL	DEFAULT	DESCRIPTION	REFER TO
R37 (25h) DAC IN2	7:0	DACIN2[7:0]	1000_0000	DACIN2 offset value $250 * (DACIN2[7:0] - 127.5) / 127.5$ [mV]	

**Register 25h** DAC IN2

REGISTER ADDRESS	BIT	LABEL	DEFAULT	DESCRIPTION	REFER TO
R38 (26h) DAC IN3	7:0	DACIN3[7:0]	1000_0000	DACIN3offset value $250 * (DACIN3[7:0] - 127.5) / 127.5$ [mV]	

**Register 26h** DAC IN3

REGISTER ADDRESS	BIT	LABEL	DEFAULT	DESCRIPTION	REFER TO
R39 (27h)	7:0	DACIN4[7:0]	1000_0000	DACIN4offset value	

REGISTER ADDRESS	BIT	LABEL	DEFAULT	DESCRIPTION	REFER TO
DAC IN4				250 * (DACIN4[7:0] -127.5) / 127.5 [mV]	

**Register 27h** DAC IN4

REGISTER ADDRESS	BIT	LABEL	DEFAULT	DESCRIPTION	REFER TO
R40 (28h) DAC IN5	7:0	DACIN5[7:0]	1000_0000	DACIN5offset value 250 * (DACIN5[7:0] -127.5) / 127.5 [mV]	

**Register 28h** DAC IN5

REGISTER ADDRESS	BIT	LABEL	DEFAULT	DESCRIPTION	REFER TO
R41 (29h) DAC IN6	7:0	DACIN6[7:0]	1000_0000	DACIN6 offset value 250 * (DACIN6[7:0] -127.5) / 127.5 [mV]	

**Register 29h** DAC IN6

REGISTER ADDRESS	BIT	LABEL	DEFAULT	DESCRIPTION	REFER TO
R42 (2Ah) DAC IN7	7:0	DACIN7[7:0]	1000_0000	DACIN7offset value 250 * (DACIN7[7:0] -127.5) / 127.5 [mV]	

**Register 2Ah** DAC IN7

REGISTER ADDRESS	BIT	LABEL	DEFAULT	DESCRIPTION	REFER TO
R43 (2Bh) DAC IN8	7:0	DACIN8[7:0]	1000_0000	DACIN8offset value 250 * (DACIN8[7:0] -127.5) / 127.5 [mV]	

**Register 2Bh** DAC IN8

REGISTER ADDRESS	BIT	LABEL	DEFAULT	DESCRIPTION	REFER TO
R44 (2Ch) DAC IN9	7:0	DACIN9[7:0]	1000_0000	DACIN9offset value 250 * (DACIN9[7:0] -127.5) / 127.5 [mV]	

**Register 2Ch** DAC IN9

REGISTER ADDRESS	BIT	LABEL	DEFAULT	DESCRIPTION	REFER TO
R45 (2Dh) AGAIN IN1	4:0	AGAININ1[4:0]	0_0001	PGAIN1 gain control gain(V/V) = 0.6 + 0.3*AGAIN*[4:0]	

**Register 2Dh** AGAIN IN1

REGISTER ADDRESS	BIT	LABEL	DEFAULT	DESCRIPTION	REFER TO
R46 (2Eh) AGAIN IN2	4:0	AGAININ2[4:0]	0_0001	PGA IN2 gain code gain(V/V) = 0.6 + 0.3*AGAIN*[4:0]	

**Register 2Eh** AGAIN IN2

REGISTER ADDRESS	BIT	LABEL	DEFAULT	DESCRIPTION	REFER TO
R47 (2Fh) AGAIN IN3	4:0	AGAININ3[4:0]	0_0001	PGA IN3 gain code $gain(V/V) = 0.6 + 0.3*AGAIN*[4:0]$	

**Register 2Fh** AGAIN IN3

REGISTER ADDRESS	BIT	LABEL	DEFAULT	DESCRIPTION	REFER TO
R48 (30h) AGAIN IN4	4:0	AGAININ4[4:0]	0_0001	PGA IN4 gain code $gain(V/V) = 0.6 + 0.3*AGAIN*[4:0]$	

**Register 30h** AGAIN IN4

REGISTER ADDRESS	BIT	LABEL	DEFAULT	DESCRIPTION	REFER TO
R49 (31h) AGAIN IN5	4:0	AGAININ5[4:0]	0_0001	PGA IN5 gain code $gain(V/V) = 0.6 + 0.3*AGAIN*[4:0]$	

**Register 31h** AGAIN IN5

REGISTER ADDRESS	BIT	LABEL	DEFAULT	DESCRIPTION	REFER TO
R50 (32h) AGAIN IN6	4:0	AGAININ6[4:0]	0_0001	PGA IN6 gain code $gain(V/V) = 0.6 + 0.3*AGAIN*[4:0]$	

**Register 32h** AGAIN IN6

REGISTER ADDRESS	BIT	LABEL	DEFAULT	DESCRIPTION	REFER TO
R51 (33h) AGAIN IN7	4:0	AGAININ7[4:0]	0_0001	PGA IN7 gain code $gain(V/V) = 0.6 + 0.3*AGAIN*[4:0]$	

**Register 33h** AGAIN IN7

REGISTER ADDRESS	BIT	LABEL	DEFAULT	DESCRIPTION	REFER TO
R52 (34h) AGAIN IN8	4:0	AGAININ8[4:0]	0_0001	PGA IN8 gain code $gain(V/V) = 0.6 + 0.3*AGAIN*[4:0]$	

**Register 34h** AGAIN IN8

REGISTER ADDRESS	BIT	LABEL	DEFAULT	DESCRIPTION	REFER TO
R53 (35h) AGAIN IN9	4:0	AGAININ9[4:0]	0_0001	PGA IN9 gain code $gain(V/V) = 0.6 + 0.3*AGAIN*[4:0]$	

**Register 35h** AGAIN IN9

REGISTER ADDRESS	BIT	LABEL	DEFAULT	DESCRIPTION	REFER TO
R54 (36h)	7:4	DGAININ1[3:0]	0000	lower bits of digital gain IN1	

REGISTER ADDRESS	BIT	LABEL	DEFAULT	DESCRIPTION	REFER TO
DGAIN IN1 LSB				digital gain(V/V) = DGAIN[11:0]/2 <sup>11</sup> 1111_1111_1111 = 1.99[V/V] ... 1000_0000_0000 = 1.0[V/V] ... 0100_0000_0000 = 0.5[V/V] 0011_1111_1111 = reserved ... 0000_0000_0000 = reserved	

**Register 36h** DGAIN IN1 LSB

REGISTER ADDRESS	BIT	LABEL	DEFAULT	DESCRIPTION	REFER TO
R55 (37h) DGAIN IN1 MSB	7:0	DGAININ1[11:4]	1000_0000	upper bits of digital gain IN1 1111_1111_1111 = 1.99[V/V] ... 1000_0000_0000 = 1.0[V/V] ... 0100_0000_0000 = 0.5[V/V] 0011_1111_1111 = reserved ... 0000_0000_0000 = reserved	

**Register 37h** DGAIN IN1 MSB

REGISTER ADDRESS	BIT	LABEL	DEFAULT	DESCRIPTION	REFER TO
R56 (38h) DGAIN IN2 LSB	7:4	DGAININ2[3:0]	0000	lower bits of digital gain IN2 1111_1111_1111 = 1.99[V/V] ... 1000_0000_0000 = 1.0[V/V] ... 0100_0000_0000 = 0.5[V/V] 0011_1111_1111 = reserved ... 0000_0000_0000 = reserved	

**Register 38h** DGAIN IN2 LSB

REGISTER ADDRESS	BIT	LABEL	DEFAULT	DESCRIPTION	REFER TO
R57 (39h) DGAIN IN2 MSB	7:0	DGAININ2[11:4]	1000_0000	upper bits of digital gain IN2 1111_1111_1111 = 1.99[V/V] ... 1000_0000_0000 = 1.0[V/V] ... 0100_0000_0000 = 0.5[V/V] 0011_1111_1111 = reserved ... 0000_0000_0000 = reserved	

**Register 39h** DGAIN IN2 MSB

REGISTER ADDRESS	BIT	LABEL	DEFAULT	DESCRIPTION	REFER TO
R58 (3Ah) DGAIN IN3 LSB	7:4	DGAININ3[3:0]	0000	lower bits of digital gain IN3 1111_1111_1111 = 1.99[V/V] ... 1000_0000_0000 = 1.0[V/V] ... 0100_0000_0000 = 0.5[V/V] 0011_1111_1111 = reserved ... 0000_0000_0000 = reserved	

**Register 3Ah** DGAIN IN3 LSB

REGISTER ADDRESS	BIT	LABEL	DEFAULT	DESCRIPTION	REFER TO
R59 (3Bh) DGAIN IN3 MSB	7:0	DGAININ3[11:4]	1000_0000	upper bits of digital gain IN3 1111_1111_1111 = 1.99[V/V] ... 1000_0000_0000 = 1.0[V/V] ... 0100_0000_0000 = 0.5[V/V] 0011_1111_1111 = reserved ... 0000_0000_0000 = reserved	

**Register 3Bh** DGAIN IN3 MSB

REGISTER ADDRESS	BIT	LABEL	DEFAULT	DESCRIPTION	REFER TO
R60 (3Ch) DGAIN IN4 LSB	7:4	DGAININ4[3:0]	0000	lower bits of digital gain IN4 1111_1111_1111 = 1.99[V/V] ... 1000_0000_0000 = 1.0[V/V] ... 0100_0000_0000 = 0.5[V/V] 0011_1111_1111 = reserved ... 0000_0000_0000 = reserved	

**Register 3Ch** DGAIN IN4 LSB

REGISTER ADDRESS	BIT	LABEL	DEFAULT	DESCRIPTION	REFER TO
R61 (3Dh) DGAIN IN4 MSB	7:0	DGAININ4[11:4]	1000_0000	upper bits of digital gain IN4 1111_1111_1111 = 1.99[V/V] ... 1000_0000_0000 = 1.0[V/V] ... 0100_0000_0000 = 0.5[V/V] 0011_1111_1111 = reserved ... 0000_0000_0000 = reserved	

**Register 3Dh DGAIN IN4 MSB**

REGISTER ADDRESS	BIT	LABEL	DEFAULT	DESCRIPTION	REFER TO
R62 (3Eh) DGAIN IN5 LSB	7:4	DGAININ5[3:0]	0000	lower bits of digital gain IN5 1111_1111_1111 = 1.99[V/V] ... 1000_0000_0000 = 1.0[V/V] ... 0100_0000_0000 = 0.5[V/V] 0011_1111_1111 = reserved ... 0000_0000_0000 = reserved	

**Register 3Eh DGAIN IN5 LSB**

REGISTER ADDRESS	BIT	LABEL	DEFAULT	DESCRIPTION	REFER TO
R63 (3Fh) DGAIN IN5 MSB	7:0	DGAININ5[11:4]	1000_0000	upper bits of digital gain IN5 1111_1111_1111 = 1.99[V/V] ... 1000_0000_0000 = 1.0[V/V] ... 0100_0000_0000_0000 = 0.5[V/V] 0011_1111_1111 = reserved ... 0000_0000_0000 = reserved	

**Register 3Fh DGAIN IN5 MSB**

REGISTER ADDRESS	BIT	LABEL	DEFAULT	DESCRIPTION	REFER TO
R64 (40h) DGAIN IN6 LSB	7:4	DGAININ6[3:0]	0000	lower bits of digital gain IN6 1111_1111_1111 = 1.99[V/V] ... 1000_0000_0000 = 1.0[V/V] ... 0100_0000_0000 = 0.5[V/V] 0011_1111_1111 = reserved ... 0000_0000_0000 = reserved	

**Register 40h DGAIN IN6 LSB**

REGISTER ADDRESS	BIT	LABEL	DEFAULT	DESCRIPTION	REFER TO
R65 (41h) DGAIN IN6 MSB	7:0	DGAININ6[11:4]	1000_0000	upper bits of digital gain IN6 1111_1111_1111 = 1.99[V/V] ... 1000_0000_0000 = 1.0[V/V] ... 0100_0000_0000 = 0.5[V/V] 0011_1111_1111 = reserved	



REGISTER ADDRESS	BIT	LABEL	DEFAULT	DESCRIPTION	REFER TO
				... 0000_0000_0000 = reserved	

**Register 41h** DGAIN IN6 MSB

REGISTER ADDRESS	BIT	LABEL	DEFAULT	DESCRIPTION	REFER TO
R66 (42h) DGAIN IN7 LSB	7:4	DGAININ7[3:0]	0000	lower bits of digital gain IN7 1111_1111_1111 = 1.99[V/V] ... 1000_0000_0000 = 1.0[V/V] ... 0100_0000_0000 = 0.5[V/V] 0011_1111_1111 = reserved ... 0000_0000_0000 = reserved	

**Register 42h** DGAIN IN7 LSB

REGISTER ADDRESS	BIT	LABEL	DEFAULT	DESCRIPTION	REFER TO
R67 (43h) DGAIN IN7 MSB	7:0	DGAININ7[11:4]	1000_0000	upper bits of digital gain IN7 1111_1111_1111 = 1.99[V/V] ... 1000_0000_0000 = 1.0[V/V] ... 0100_0000_0000 = 0.5[V/V] 0011_1111_1111 = reserved ... 0000_0000_0000 = reserved	

**Register 43h** DGAIN IN7 MSB

REGISTER ADDRESS	BIT	LABEL	DEFAULT	DESCRIPTION	REFER TO
R68 (44h) DGAIN IN8 LSB	7:4	DGAININ8[3:0]	0000	lower bits of digital gain IN8 1111_1111_1111 = 1.99[V/V] ... 1000_0000_0000 = 1.0[V/V] ... 0100_0000_0000 = 0.5[V/V] 0011_1111_1111 = reserved ... 0000_0000_0000 = reserved	

**Register 44h** DGAIN IN8 LSB

REGISTER ADDRESS	BIT	LABEL	DEFAULT	DESCRIPTION	REFER TO
R69 (45h) DGAIN IN8 MSB	7:0	DGAININ8[11:4]	1000_0000	upper bits of digital gain IN8 1111_1111_1111 = 1.99[V/V] ...	

REGISTER ADDRESS	BIT	LABEL	DEFAULT	DESCRIPTION	REFER TO
				1000_0000_0000 = 1.0[V/V] ... 0100_0000_0000 = 0.5[V/V] 0011_1111_1111 = reserved ... 0000_0000_0000 = reserved	

**Register 45h** DGAIN IN8 MSB

REGISTER ADDRESS	BIT	LABEL	DEFAULT	DESCRIPTION	REFER TO
R70 (46h) DGAIN IN9 LSB	7:4	DGAININ9[3:0]	0000	lower bits of digital gain IN9 1111_1111_1111 = 1.99[V/V] ... 1000_0000_0000 = 1.0[V/V] ... 0100_0000_0000 = 0.5[V/V] 0011_1111_1111 = reserved ... 0000_0000_0000 = reserved	

**Register 46h** DGAIN IN9 LSB

REGISTER ADDRESS	BIT	LABEL	DEFAULT	DESCRIPTION	REFER TO
R71 (47h) DGAIN IN9 MSB	7:0	DGAININ9[11:4]	1000_0000	upper bits of digital gain IN9 1111_1111_1111 = 1.99[V/V] ... 1000_0000_0000 = 1.0[V/V] ... 0100_0000_0000 = 0.5[V/V] 0011_1111_1111 = reserved ... 0000_0000_0000 = reserved	

**Register 47h** DGAIN IN9 MSB

REGISTER ADDRESS	BIT	LABEL	DEFAULT	DESCRIPTION	REFER TO
R72 (48h) BLC IN1 target	7:0	TARGETIN1[7:0]	0000_0000	target black level for IN1	

**Register 48h** BLC IN1 target

REGISTER ADDRESS	BIT	LABEL	DEFAULT	DESCRIPTION	REFER TO
R73 (49h) BLC IN2 target	7:0	TARGETIN2[7:0]	0000_0000	target black level for IN2	

**Register 49h** BLC IN2 target

REGISTER ADDRESS	BIT	LABEL	DEFAULT	DESCRIPTION	REFER TO
R74 (4Ah) BLC IN3 target	7:0	TARGETIN3[7:0]	0000_0000	target black level for IN3	

**Register 4Ah** BLC IN3 target

REGISTER ADDRESS	BIT	LABEL	DEFAULT	DESCRIPTION	REFER TO
R75 (4Bh) BLC IN4 target	7:0	TARGETIN4[7:0]	0000_0000	target black level for IN4	

**Register 4Bh** BLC IN4 target

REGISTER ADDRESS	BIT	LABEL	DEFAULT	DESCRIPTION	REFER TO
R76 (4Ch) BLC IN5 target	7:0	TARGETIN5[7:0]	0000_0000	target black level for IN5	

**Register 4Ch** BLC IN5 target

REGISTER ADDRESS	BIT	LABEL	DEFAULT	DESCRIPTION	REFER TO
R77 (4Dh) BLC IN6 target	7:0	TARGETIN6[7:0]	0000_0000	target black level for IN6	

**Register 4Dh** BLC IN6 target

REGISTER ADDRESS	BIT	LABEL	DEFAULT	DESCRIPTION	REFER TO
R78 (4Eh) BLC IN7 target	7:0	TARGETIN7[7:0]	0000_0000	target black level for IN7	

**Register 4Eh** BLC IN7 target

REGISTER ADDRESS	BIT	LABEL	DEFAULT	DESCRIPTION	REFER TO
R79 (4Fh) BLC IN8 target	7:0	TARGETIN8[7:0]	0000_0000	target black level for IN8	

**Register 4Fh** BLC IN8 target

REGISTER ADDRESS	BIT	LABEL	DEFAULT	DESCRIPTION	REFER TO
R80 (50h) BLC IN9 target	7:0	TARGETIN9[7:0]	0000_0000	target black level for IN9	

**Register 50h** BLC IN9 target

REGISTER ADDRESS	BIT	LABEL	DEFAULT	DESCRIPTION	REFER TO
R81 (51h) BLC control 1	7	FRAME_SEQ	0	control frame sequence mode 0 = line by line 1 = frame sequence mode	
	6	FA_EVERYLINE	0	control fine adjustment 0 = Fine adjust only used on the 1 <sup>st</sup> line of a frame 1 = Fine adjust used on every line of a frame	
	5	FA_ACCUM	0	makes the fine adjust calibration accumulate a result over multiple lines 0 = not accumulate 1 = accumulate	
	4	FA_EN	0	enables the fine adjust operation 0 = disable 1 = enable	
	3	CA_EVERYLINE	0	control coarse adjustment 0 = Coarse adjust only used on the 1 <sup>st</sup> line of a frame 1 = Coarse adjust used on every line of a frame	
	2:0	CADUR[2:0]	000	controls the number of coarse adjust iterations to be performed 000 = disable 001 = 1time 010 = 2time 011 = 3time ... 111 = 7time	

**Register 51h** BLC control 1

REGISTER ADDRESS	BIT	LABEL	DEFAULT	DESCRIPTION	REFER TO
R82 (52h) BLC control 2	1	SEQ_START	0	register flag to indicate that the next start-of-line indicator is the first line of the first frame in a frame-sequence. This register is automatically set to zero at the end of the BLC operation on the first line 0 = no effect 1 = first frame of frame-sequence mode	
	0	FRAME_START	0	Register flag to indicate that the next start-of-line indicator is the first line in a frame. This register is automatically set to zero at the end of the BLC operation on the first line 0 = no effect 1 = start of line	

**Register 52h** BLC control 2

REGISTER ADDRESS	BIT	LABEL	DEFAULT	DESCRIPTION	REFER TO
R83 (53h) BLC control 3	7:0	BPIX_AVAIL[7:0] ]	0000_0000	LSBs of the number of black-pixels available over which to perform the coarse and/or fine adjust calibration 00_0000_0000 = no pixel available 11_1111_1111 = 1023 pixels	

**Register 53h** BLC control 3

REGISTER ADDRESS	BIT	LABEL	DEFAULT	DESCRIPTION	REFER TO
R84 (54h) BLC control 4	1:0	BPIX_AVAIL[9:8] ]	00	MSBs of the number of black-pixels available over which to perform the coarse and/or fine adjust calibration 00_0000_0000 = no pixel available 11_1111_1111 = 1023 pixels	

**Register 54h** BLC control 4

REGISTER ADDRESS	BIT	LABEL	DEFAULT	DESCRIPTION	REFER TO
R85 (55h) BLC control 5	7:0	LINE_DEL[7:0]	0000_0000	LSBs of the number of lines from the start of a frame to delay the start of BLC operation 0_0000_0000 = no delay 1_1111_1111 = 511 line	

**Register 55h** BLC control 5

REGISTER ADDRESS	BIT	LABEL	DEFAULT	DESCRIPTION	REFER TO
R86 (56h) BLC control 6	0	LINE_DEL[8]	0	MSBs of the number of lines from the start of a frame to delay the start of BLC operation 0_0000_0000 = no delay 1_1111_1111 = 511 line	

**Register 56h** BLC control 6

REGISTER ADDRESS	BIT	LABEL	DEFAULT	DESCRIPTION	REFER TO
R87 (57h) AGC config 1	7:4	AGCAVE[3:0]	0000	averaging factor before peak detection 0000 = no average 0001 = 2 0010 = 4 0011 = 8 ... 1010 = 1024 1011 = reserved 1100 = reserved 1101 = reserved 1110 = reserved 1111 = reserved	
	2	AGC_ERRFLAG	0	AGC error flag 0 = no error detected 1 = AGC finish with error	
	1	AGC_ENDFLAG	0	AGC end flag 0 = not end or not run 1 = AGC sequence was done	
	0	AGC_EN	0	AGC enable 0 = disable 1 = enable	

**Register 57h** AGC config 1

REGISTER ADDRESS	BIT	LABEL	DEFAULT	DESCRIPTION	REFER TO
R88 (58h) AGC config 2	6:4	AGC_DPD[2:0]	000	the number of peak detection iterations to calculate digital gain 000 = no digital gain adjustment 001 = 1line 010 = 2line ... 111 = 7line	
	2:0	AGC_APD[2:0]	000	the number of peak detection iterations to calculate analogue gain 000 = no analogue gain adjustment 001 = 1line 010 = 2line ... 111 = 7line	

**Register 58h** AGC config 2

REGISTER ADDRESS	BIT	LABEL	DEFAULT	DESCRIPTION	REFER TO
R89 (59h) AGC target IN1 LSB	7:0	AGC_TARGET IN1[7:0]	0000_0000	LSBs of AGC target level for IN1	

**Register 59h** AGC target IN1 LSB

REGISTER ADDRESS	BIT	LABEL	DEFAULT	DESCRIPTION	REFER TO
R90 (5Ah) AGC target IN1 MSB	1:0	AGC_TARGET IN1[9:8]	00	MSBs of AGC target level for IN1	

**Register 5Ah** AGC target IN1 MSB

REGISTER ADDRESS	BIT	LABEL	DEFAULT	DESCRIPTION	REFER TO
R91 (5Bh) AGC target IN2 LSB	7:0	AGC_TARGET IN2[7:0]	0000_0000	LSBs of AGC target level for IN2	

**Register 5Bh** AGC target IN2 LSB

REGISTER ADDRESS	BIT	LABEL	DEFAULT	DESCRIPTION	REFER TO
R92 (5Ch) AGC target IN2 MSB	1:0	AGC_TARGET IN2[9:8]	00	LSBs of AGC target level for IN2	

**Register 5Ch** AGC target IN2 MSB

REGISTER ADDRESS	BIT	LABEL	DEFAULT	DESCRIPTION	REFER TO
R93 (5Dh)	7:0	AGC_TARGET	0000_0000	LSBs of AGC target level for IN3	

REGISTER ADDRESS	BIT	LABEL	DEFAULT	DESCRIPTION	REFER TO
AGC target IN3 LSB		IN3[7:0]			

**Register 5Dh** AGC target IN3 LSB

REGISTER ADDRESS	BIT	LABEL	DEFAULT	DESCRIPTION	REFER TO
R94 (5Eh) AGC target IN3 MSB	1:0	AGC_TARGET IN3[9:8]	00	MSBs of AGC target level for IN3	

**Register 5Eh** AGC target IN3 MSB

REGISTER ADDRESS	BIT	LABEL	DEFAULT	DESCRIPTION	REFER TO
R95 (5Fh) AGC target IN4 LSB	7:0	AGC_TARGET IN4[7:0]	0000_0000	LSBs of AGC target level for IN4	

**Register 5Fh** AGC target IN4 LSB

REGISTER ADDRESS	BIT	LABEL	DEFAULT	DESCRIPTION	REFER TO
R96 (60h) AGC target IN4 MSB	1:0	AGC_TARGET IN4[9:8]	00	MSBs of AGC target level for IN4	

**Register 60h** AGC target IN4 MSB

REGISTER ADDRESS	BIT	LABEL	DEFAULT	DESCRIPTION	REFER TO
R97 (61h) AGC target IN5 LSB	7:0	AGC_TARGET IN5[7:0]	0000_0000	LSBs of AGC target level for IN5	

**Register 61h** AGC target IN5 LSB

REGISTER ADDRESS	BIT	LABEL	DEFAULT	DESCRIPTION	REFER TO
R98 (62h) AGC target IN5 MSB	1:0	AGC_TARGET IN5[9:8]	00	MSBs of AGC target level for IN5	

**Register 62h** AGC target IN5 MSB

REGISTER ADDRESS	BIT	LABEL	DEFAULT	DESCRIPTION	REFER TO
R99 (63h) AGC target IN6 LSB	7:0	AGC_TARGET IN6[7:0]	0000_0000	LSBs of AGC target level for IN6	

**Register 63h** AGC target IN6 LSB

REGISTER ADDRESS	BIT	LABEL	DEFAULT	DESCRIPTION	REFER TO
R100 (64h) AGC target IN6 MSB	1:0	AGC_TARGET IN6[9:8]	00	MSBs of AGC target level for IN6	

**Register 64h** AGC target IN6 MSB

REGISTER ADDRESS	BIT	LABEL	DEFAULT	DESCRIPTION	REFER TO
R101 (65h) AGC target IN7 LSB	7:0	AGC_TARGET IN7[7:0]	0000_0000	LSBs of AGC target level for IN7	

**Register 65h** AGC target IN7 LSB

REGISTER ADDRESS	BIT	LABEL	DEFAULT	DESCRIPTION	REFER TO
R102 (66h) AGC target IN7 MSB	1:0	AGC_TARGET IN7[9:8]	00	MSBs of AGC target level for IN7	

**Register 66h** AGC target IN7 MSB

REGISTER ADDRESS	BIT	LABEL	DEFAULT	DESCRIPTION	REFER TO
R103 (67h) AGC target IN8 LSB	7:0	AGC_TARGET IN8[7:0]	0000_0000	LSBs of AGC target level for IN8	

**Register 67h** AGC target IN8 LSB

REGISTER ADDRESS	BIT	LABEL	DEFAULT	DESCRIPTION	REFER TO
R104 (68h) AGC target IN8 MSB	1:0	AGC_TARGET IN8[9:8]	00	MSBs of AGC target level for IN8	

**Register 68h** AGC target IN8 MSB

REGISTER ADDRESS	BIT	LABEL	DEFAULT	DESCRIPTION	REFER TO
R105 (69h) AGC target IN9 LSB	7:0	AGC_TARGET IN9[7:0]	0000_0000	LSBs of AGC target level for IN9	

**Register 69h** AGC target IN9 LSB

REGISTER ADDRESS	BIT	LABEL	DEFAULT	DESCRIPTION	REFER TO
R106 (6Ah) AGC target IN9 MSB	1:0	AGC_TARGET IN9[9:8]	00	MSBs of AGC target level for IN9	



**Register 6Ah** AGC target IN9 MSB

REGISTER ADDRESS	BIT	LABEL	DEFAULT	DESCRIPTION	REFER TO
R107 (6Bh) AGC peak level IN1 LSB	7:0	PEAK_IN1[7:0]	0000_0000	LSBs of detected peak level of IN1 (Read Only)	

**Register 6Bh** AGC peak level IN1 LSB

REGISTER ADDRESS	BIT	LABEL	DEFAULT	DESCRIPTION	REFER TO
R108 (6Ch) AGC peak level IN1 MSB	1:0	PEAK_IN1[9:8]	00	MSBs of detected peak level of IN1 (Read Only)	

**Register 6Ch** AGC peak level IN1 MSB

REGISTER ADDRESS	BIT	LABEL	DEFAULT	DESCRIPTION	REFER TO
R109 (6Dh) AGC peak level IN2 LSB	7:0	PEAK_IN2[7:0]	0000_0000	LSBs of detected peak level of IN2 (Read Only)	

**Register 6Dh** AGC peak level IN2 LSB

REGISTER ADDRESS	BIT	LABEL	DEFAULT	DESCRIPTION	REFER TO
R110 (6Eh) AGC peak level IN2 MSB	1:0	PEAK_IN2[9:8]	00	MSBs of detected peak level of IN2 (Read Only)	

**Register 6Eh** AGC peak level IN2 MSB

REGISTER ADDRESS	BIT	LABEL	DEFAULT	DESCRIPTION	REFER TO
R111 (6Fh) AGC peak level IN3 LSB	7:0	PEAK_IN3[7:0]	0000_0000	LSBs of detected peak level of IN3 (Read Only)	

**Register 6Fh** AGC peak level IN3 LSB

REGISTER ADDRESS	BIT	LABEL	DEFAULT	DESCRIPTION	REFER TO
R112 (70h) AGC peak level IN3 MSB	1:0	PEAK_IN3[9:8]	00	MSBs of detected peak level of IN3 (Read Only)	

**Register 70h** AGC peak level IN3 MSB

REGISTER ADDRESS	BIT	LABEL	DEFAULT	DESCRIPTION	REFER TO
R113 (71h) AGC peak level IN4 LSB	7:0	PEAK_IN4[7:0]	0000_0000	LSBs of detected peak level of IN4 (Read Only)	

**Register 71h** AGC peak level IN4 LSB

REGISTER ADDRESS	BIT	LABEL	DEFAULT	DESCRIPTION	REFER TO
R114 (72h) AGC peak level IN4 MSB	1:0	PEAK_IN4[9:8]	00	MSBs of detected peak level of IN4 (Read Only)	

**Register 72h** AGC peak level IN4 MSB

REGISTER ADDRESS	BIT	LABEL	DEFAULT	DESCRIPTION	REFER TO
R115 (73h) AGC peak level IN5 LSB	7:0	PEAK_IN5[7:0]	0000_0000	LSBs of detected peak level of IN5 (Read Only)	

**Register 73h** AGC peak level IN5 LSB

REGISTER ADDRESS	BIT	LABEL	DEFAULT	DESCRIPTION	REFER TO
R116 (74h) AGC peak level IN5 MSB	1:0	PEAK_IN5[9:8]	00	MSBs of detected peak level of IN5 (Read Only)	

**Register 74h** AGC peak level IN5 MSB

REGISTER ADDRESS	BIT	LABEL	DEFAULT	DESCRIPTION	REFER TO
R117 (75h) AGC peak level IN6 LSB	7:0	PEAK_IN6[7:0]	0000_0000	LSBs of detected peak level of IN6 (Read Only)	

**Register 75h** AGC peak level IN6 LSB

REGISTER ADDRESS	BIT	LABEL	DEFAULT	DESCRIPTION	REFER TO
R118 (76h) AGC peak level IN6 MSB	1:0	PEAK_IN6[9:8]	00	MSBs of detected peak level of IN6 (Read Only)	

**Register 76h** AGC peak level IN6 MSB

REGISTER ADDRESS	BIT	LABEL	DEFAULT	DESCRIPTION	REFER TO
R119 (77h) AGC peak level IN7 LSB	7:0	PEAK_IN7[7:0]	0000_0000	LSBs of detected peak level of IN7 (Read Only)	

**Register 77h** AGC peak level IN7 LSB

REGISTER ADDRESS	BIT	LABEL	DEFAULT	DESCRIPTION	REFER TO
R120 (78h) AGC peak level IN7 MSB	1:0	PEAK_IN7[9:8]	00	MSBs of detected peak level of IN7 (Read Only)	

**Register 78h** AGC peak level IN7 MSB

REGISTER ADDRESS	BIT	LABEL	DEFAULT	DESCRIPTION	REFER TO
R121 (79h) AGC peak level IN8 LSB	7:0	PEAK_IN8[7:0]	0000_0000	LSBs of detected peak level of IN8 (Read Only)	

**Register 79h** AGC peak level IN8 LSB

REGISTER ADDRESS	BIT	LABEL	DEFAULT	DESCRIPTION	REFER TO
R122 (7Ah) AGC peak level IN8 MSB	1:0	PEAK_IN8[9:8]	00	MSBs of detected peak level of IN8 (Read Only)	

**Register 7Ah** AGC peak level IN8 MSB

REGISTER ADDRESS	BIT	LABEL	DEFAULT	DESCRIPTION	REFER TO
R123 (7Bh) AGC peak level IN9 LSB	7:0	PEAK_IN9[7:0]	0000_0000	LSBs of detected peak level of IN9 (Read Only)	

**Register 7Bh** AGC peak level IN9 LSB

REGISTER ADDRESS	BIT	LABEL	DEFAULT	DESCRIPTION	REFER TO
R124 (7Ch) AGC peak level IN9 MSB	1:0	PEAK_IN9[9:8]	00	MSBs of detected peak level of IN9 (Read Only)	

**Register 7Ch AGC peak level IN9 MSB**

REGISTER ADDRESS	BIT	LABEL	DEFAULT	DESCRIPTION	REFER TO
R128 (80h) DLL config 1	5:4	DLGAIN[1:0]	10	gain control of DLL delay line Need to set according to input frequency. See details in "PLL DLL Setup"	
	2	DLLRST	0	reset DLL delay line 0 = normal 1 = reset DLL	
	1	CKOSTB	0	standby TG clock output 0 = generate TG clock 1 = stop generation of TG clock	
	0	AFECKSTB	0	standby AFE clock (VSMP/RSMP/ADCK) output 0 = generate AFE clock 1 = stop generation of AFE clock	

**Register 80h DLL config 1**

REGISTER ADDRESS	BIT	LABEL	DEFAULT	DESCRIPTION	REFER TO
R129 (81h) DLL config 2	5:4	LVDLGAIN[1:0]	01	gain control of LVDS DLL delay line Need to set according to input frequency. See details in "PLL DLL Setup"	
	1	LVDLLRST	0	reset LVDS DLL delay line 0 = normal 1 = reset LVDS DLL	
	0	LVDLLSTB	0	standby LVDS serializer clock generation 0 = generate LVDS serializer clock 1 = stop generation of LVDS serializer clock	

**Register 81h DLL config 2**

REGISTER ADDRESS	BIT	LABEL	DEFAULT	DESCRIPTION	REFER TO
R130 (82h) RSMP rise	5:0	RSMP_RISE [5:0]	01_1100	RSMP rise edge 00_0000 = tap0 00_0001 = tap1 ... 11_1011 = tap59 11_1100 = reserved 11_1101 = reserved 11_1110 = reserved 11_1111 = reserved	

**Register 82h RSMP rise**

REGISTER ADDRESS	BIT	LABEL	DEFAULT	DESCRIPTION	REFER TO
R131 (83h) RSMP fall	5:0	RSMP_FALL [5:0]	10_0110	RSMP fall edge 00_0000 = tap0 00_0001 = tap1 ...	

REGISTER ADDRESS	BIT	LABEL	DEFAULT	DESCRIPTION	REFER TO
				11_1011 = tap59 11_1100 = reserved 11_1101 = reserved 11_1110 = reserved 11_1111 = reserved	

**Register 83h** RSMP fall

REGISTER ADDRESS	BIT	LABEL	DEFAULT	DESCRIPTION	REFER TO
R132 (84h) VSMP rise	5:0	VSMP_RISE [5:0]	00_0000	VSMP rise edge 00_0000 = tap0 00_0001 = tap1 ... 11_1011 = tap59 11_1100 = reserved 11_1101 = reserved 11_1110 = reserved 11_1111 = reserved	

**Register 84h** VSMP rise

REGISTER ADDRESS	BIT	LABEL	DEFAULT	DESCRIPTION	REFER TO
R133 (85h) VSMP fall	5:0	VSMP_FALL [5:0]	00_1000	VSMP fall edge 00_0000 = tap0 00_0001 = tap1 ... 11_1011 = tap59 11_1100 = reserved 11_1101 = reserved 11_1110 = reserved 11_1111 = reserved	

**Register 85h** VSMP fall

REGISTER ADDRESS	BIT	LABEL	DEFAULT	DESCRIPTION	REFER TO
R134 (86h) TGCKO rise	5:0	TCLKO_RISE [5:0]	11_0111	TCLKO rise edge 00_0000 = tap0 00_0001 = tap1 ... 11_1011 = tap59 11_1100 = reserved 11_1101 = reserved 11_1110 = reserved 11_1111 = reserved	

**Register 86h** TGCKO rise

REGISTER ADDRESS	BIT	LABEL	DEFAULT	DESCRIPTION	REFER TO

REGISTER ADDRESS	BIT	LABEL	DEFAULT	DESCRIPTION	REFER TO
R135 (87h) CLK1 rise	5:0	CLK1_RISE[5:0]	00_1010	CLK1 rise edge 00_0000 = tap0 00_0001 = tap1 ... 11_1011 = tap59 11_1100 = reserved 11_1101 = reserved 11_1110 = reserved 11_1111 = reserved	

**Register 87h** CLK1 rise

REGISTER ADDRESS	BIT	LABEL	DEFAULT	DESCRIPTION	REFER TO
R136 (88h) CLK1 fall	5:0	CLK1_FALL[5:0]	01_1001	CLK1 fall edge 00_0000 = tap0 00_0001 = tap1 ... 11_1011 = tap59 11_1100 = reserved 11_1101 = reserved 11_1110 = reserved 11_1111 = reserved	

**Register 88h** CLK1 fall

REGISTER ADDRESS	BIT	LABEL	DEFAULT	DESCRIPTION	REFER TO
R137 (89h) CLK2 rise	5:0	CLK2_RISE[5:0]	01_1001	CLK2 rise edge 00_0000 = tap0 00_0001 = tap1 ... 11_1011 = tap59 11_1100 = reserved 11_1101 = reserved 11_1110 = reserved 11_1111 = reserved	

**Register 89h** CLK2 rise

REGISTER ADDRESS	BIT	LABEL	DEFAULT	DESCRIPTION	REFER TO
R138 (8Ah) CLK2fall	5:0	CLK2_FALL[5:0]	10_1000	CLK2 fall edge 00_0000 = tap0 00_0001 = tap1 ... 11_1011 = tap59 11_1100 = reserved 11_1101 = reserved 11_1110 = reserved 11_1111 = reserved	

**Register 8Ah** CLK2fall

REGISTER ADDRESS	BIT	LABEL	DEFAULT	DESCRIPTION	REFER TO
R139 (8Bh) CLK3 rise	5:0	CLK3_RISE[5:0]	10_1000	CLK3 rise edge 00_0000 = tap0 00_0001 = tap1 ... 11_1011 = tap59 11_1100 = reserved 11_1101 = reserved 11_1110 = reserved 11_1111 = reserved	

**Register 8Bh** CLK3 rise

REGISTER ADDRESS	BIT	LABEL	DEFAULT	DESCRIPTION	REFER TO
R140 (8Ch) CLK3 fall	5:0	CLK3_FALL[5:0]	00_1010	CLK3 fall edge 00_0000 = tap0 00_0001 = tap1 ... 11_1011 = tap59 11_1100 = reserved 11_1101 = reserved 11_1110 = reserved 11_1111 = reserved	

**Register 8Ch** CLK3 fall

REGISTER ADDRESS	BIT	LABEL	DEFAULT	DESCRIPTION	REFER TO
R141 (8Dh) CLK4 rise	5:0	CLK4_RISE[5:0]	00_0000	CLK4 rise edge 00_0000 = tap0 00_0001 = tap1 ... 11_1011 = tap59 11_1100 = reserved 11_1101 = reserved 11_1110 = reserved 11_1111 = reserved	

**Register 8Dh** CLK4 rise

REGISTER ADDRESS	BIT	LABEL	DEFAULT	DESCRIPTION	REFER TO
R142 (8Eh) CLK4 fall	5:0	CLK4_FALL[5:0]	00_0000	CLK4 fall edge 00_0000 = tap0 00_0001 = tap1 ... 11_1011 = tap59 11_1100 = reserved 11_1101 = reserved 11_1110 = reserved 11_1111 = reserved	

**Register 8Eh CLK4 fall**

REGISTER ADDRESS	BIT	LABEL	DEFAULT	DESCRIPTION	REFER TO
R143 (8Fh) CLK5 rise	5:0	CLK5_RISE[5:0]	00_1010	CLK5 rise edge 00_0000 = tap0 00_0001 = tap1 ... 11_1011 = tap59 11_1100 = reserved 11_1101 = reserved 11_1110 = reserved 11_1111 = reserved	

**Register 8Fh CLK5 rise**

REGISTER ADDRESS	BIT	LABEL	DEFAULT	DESCRIPTION	REFER TO
R144 (90h) CLK5 fall	5:0	CLK5_FALL[5:0]	10_1000	CLK5 fall edge 00_0000 = tap0 00_0001 = tap1 ... 11_1011 = tap59 11_1100 = reserved 11_1101 = reserved 11_1110 = reserved 11_1111 = reserved	

**Register 90h CLK5 fall**

REGISTER ADDRESS	BIT	LABEL	DEFAULT	DESCRIPTION	REFER TO
R145 (91h) CLK6 rise	5:0	CLK6_RISE[5:0]	00_1010	CLK6 rise edge 00_0000 = tap0 00_0001 = tap1 ... 11_1011 = tap59 11_1100 = reserved 11_1101 = reserved 11_1110 = reserved 11_1111 = reserved	

**Register 91h CLK6 rise**

REGISTER ADDRESS	BIT	LABEL	DEFAULT	DESCRIPTION	REFER TO
R146 (92h) CLK6 fall	5:0	CLK6_FALL[5:0]	10_1000	CLK6 fall edge 00_0000 = tap0 00_0001 = tap1 ... 11_1011 = tap59 11_1100 = reserved 11_1101 = reserved	



REGISTER ADDRESS	BIT	LABEL	DEFAULT	DESCRIPTION	REFER TO
				11_1110 = reserved 11_1111 = reserved	

**Register 92h** CLK6 fall

REGISTER ADDRESS	BIT	LABEL	DEFAULT	DESCRIPTION	REFER TO
R160 (A0h) TG config 1	7:4	OFFSET[3:0]	0000	pixel counter offset (valid only in slave mode)	
	3	CYCMD	0	cycle mode enable 0 = normal (same operation at everyline) 1 = cycle mode	
	2	POLSYNC	0	polarity of tgync signal 0 = reset pixel counter at positive edge of tgsync 1 = reset pixel counter at negative edge of tgsync	
	1	TGMD	0	TG operation mode 0 = slave 1 = master	
	0	TG_EN	0	TG enable 0 = disable 1 = enable	

**Register A0h** TG config 1

REGISTER ADDRESS	BIT	LABEL	DEFAULT	DESCRIPTION	REFER TO
R161 (A1h) TG config 2	7:0	LLENGTH[7:0]	0000_0000	LSBs of LLENGTH[14:0] the number of pixels in a line (valid only in master mode)	

**Register A1h** TG config 2

REGISTER ADDRESS	BIT	LABEL	DEFAULT	DESCRIPTION	REFER TO
R162 (A2h) TG config 3	6:0	LLENGTH[14:8]	000_0000	MSBs of LLENGTH the number of pixels in a line (valid only in master mode)	

**Register A2h** TG config 3

REGISTER ADDRESS	BIT	LABEL	DEFAULT	DESCRIPTION	REFER TO
R163 (A3h) TG config 4	7:0	FLAGPIX[7:0]	0000_0000	LSBs of FLAGPIX[14:0] flag pixel control pulse flagpix is high when pixel counter equals to flagpix[14:0]	

**Register A3h** TG config 4

REGISTER ADDRESS	BIT	LABEL	DEFAULT	DESCRIPTION	REFER TO
R164 (A4h) TG config 5	6:0	FLAGPIX[14:8]	000_0000	MSBs of FLAGPIX[14:0] flag pixel control pulse flagpix is high	

REGISTER ADDRESS	BIT	LABEL	DEFAULT	DESCRIPTION	REFER TO
				when pixel counter equals to flagpix[14:0]	

**Register A4h** TG config 5

REGISTER ADDRESS	BIT	LABEL	DEFAULT	DESCRIPTION	REFER TO
R165 (A5h) TG config 6	7	OE_CLK8	1	output enable of "CLK8" 0 = Hi-Z 1 = output	
	6	OE_CLK7	1	output enable of "CLK7" 0 = Hi-Z 1 = output	
	5	OE_CLK6	1	output enable of "CLK6" 0 = Hi-Z 1 = output	
	4	OE_CLK5	1	output enable of "CLK5" 0 = Hi-Z 1 = output	
	3	OE_CLK4	1	output enable of "CLK4" 0 = Hi-Z 1 = output	
	2	OE_CLK3	1	output enable of "CLK3" 0 = Hi-Z 1 = output	
	1	OE_CLK2	1	output enable of "CLK2" 0 = Hi-Z 1 = output	
	0	OE_CLK1	1	output enable of "CLK1" 0 = Hi-Z 1 = output	

**Register A5h** TG config 6

REGISTER ADDRESS	BIT	LABEL	DEFAULT	DESCRIPTION	REFER TO
R167 (A7h) TG config 8	7	INV_CLK8	0	invert signal output assigned to CLK8 0 = non-inverted 1 = inverted	
	6	INV_CLK7	0	invert signal output assigned to CLK7 0 = non-inverted 1 = inverted	
	5	INV_CLK6	0	invert signal output assigned to CLK6 0 = non-inverted 1 = inverted	
	4	INV_CLK5	0	invert signal output assigned to CLK5 0 = non-inverted 1 = inverted	
	3	INV_CLK4	0	invert signal output assigned to CLK4 0 = non-inverted 1 = inverted	
	2	INV_CLK3	0	invert signal output assigned to CLK3 0 = non-inverted	

REGISTER ADDRESS	BIT	LABEL	DEFAULT	DESCRIPTION	REFER TO
				1 = inverted	
	1	INV_CLK2	0	invert signal output assigned to CLK2 0 = non-inverted 1 = inverted	
	0	INV_CLK1	0	invert signal output assigned to CLK1 0 = non-inverted 1 = inverted	

**Register A7h** TG config 8

REGISTER ADDRESS	BIT	LABEL	DEFAULT	DESCRIPTION	REFER TO
R169 (A9h) TG config 10	7	EN_CLK8	0	enable signal output CLK8 0 = disable 1 = enable	
	6	EN_CLK7	0	enable signal output CLK7 0 = disable 1 = enable	
	5	EN_CLK6	0	enable signal output CLK6 0 = disable 1 = enable	
	4	EN_CLK5	0	enable signal output CLK5 0 = disable 1 = enable	
	3	EN_CLK4	0	enable signal output CLK4 0 = disable 1 = enable	
	2	EN_CLK3	0	enable signal output CLK3 0 = disable 1 = enable	
	1	EN_CLK2	0	enable signal output CLK2 0 = disable 1 = enable	
	0	EN_CLK1	0	enable signal output CLK1 0 = disable 1 = enable	

**Register A9h** TG config 10

REGISTER ADDRESS	BIT	LABEL	DEFAULT	DESCRIPTION	REFER TO
R171 (Abh) TG config 12	7	SEL_CLK3	0	select signal for CLK3 0 = output clock 1 = output pulse (select by SEL_PCK3[2:0])	
	6:4	SEL_PCK3[2:0]	000	select pulse assigned to CLK3 (valid only when SEL_CLK3=1) 000 = PO0 001 = PO1 010 = PO2 011 = PO3 100 = PO4 101 = PO5	

REGISTER ADDRESS	BIT	LABEL	DEFAULT	DESCRIPTION	REFER TO
				110 = PO6 111 = PO7	
	3	SEL_CLK2	0	select signal for CLK2 0 = output clock 1 = output pulse (select by SEL_PCK2[2:0])	
	2:0	SEL_PCK2[2:0]	000	select pulse assigned to CLK2 (valid only when SEL_CLK2=1) 000 = PO0 001 = PO1 010 = PO2 011 = PO3 100 = PO4 101 = PO5 110 = PO6 111 = PO7	

**Register Abh** TG config 12

REGISTER ADDRESS	BIT	LABEL	DEFAULT	DESCRIPTION	REFER TO
R172 (Ach) TG config 13	7	SEL_CLK5	0	select signal for CLK5 0 = output clock 1 = output pulse (select by SEL_PCK5[2:0])	
	6:4	SEL_PCK5[2:0]	000	select pulse assigned to CLK5 (valid only when SEL_CLK5=1) 000 = PO0 001 = PO1 010 = PO2 011 = PO3 100 = PO4 101 = PO5 110 = PO6 111 = PO7	
	3	SEL_CLK4	0	select signal for CLK4 0 = output clock 1 = output pulse (select by SEL_PCK4[2:0])	
	2:0	SEL_PCK4[2:0]	000	select pulse assigned to CLK4 (valid only when SEL_CLK4=1) 000 = PO0 001 = PO1 010 = PO2 011 = PO3 100 = PO4 101 = PO5 110 = PO6 111 = PO7	

**Register Ach** TG config 13

REGISTER ADDRESS	BIT	LABEL	DEFAULT	DESCRIPTION	REFER TO
R173 (Adh) TG config 14	6:4	SEL_PCK7[2:0]	000	select pulse assigned to CLK7 000 = PO0	

REGISTER ADDRESS	BIT	LABEL	DEFAULT	DESCRIPTION	REFER TO
				001 = PO1 010 = PO2 011 = PO3 100 = PO4 101 = PO5 110 = PO6 111 = PO7	
	3	SEL_CLK6	0	select signal for CLK6 0 = output clock 1 = output pulse (select by SEL_PCK6[2:0])	
	2:0	SEL_PCK6[2:0]	000	select pulse assigned to CLK6 (valid only when SEL_CLK6=1) 000 = PO0 001 = PO1 010 = PO2 011 = PO3 100 = PO4 101 = PO5 110 = PO6 111 = PO7	

**Register Adh** TG config 14

REGISTER ADDRESS	BIT	LABEL	DEFAULT	DESCRIPTION	REFER TO
R174 (Aeh) TG config 15	2:0	SEL_PCK8[2:0]	000	select pulse assigned to CLK8 000 = PO0 001 = PO1 010 = PO2 011 = PO3 100 = PO4 101 = PO5 110 = PO6 111 = PO7	

**Register Aeh** TG config 15

REGISTER ADDRESS	BIT	LABEL	DEFAULT	DESCRIPTION	REFER TO
R176 (B0h) TG config 17	7:6	DEL_PCK5[1:0]	00	control delay of pulse output assigned to CLK5 00 = 0nsec 01 = 1nsec 10 = 2nsec 11 = 3nsec	
	5:4	DEL_PCK4[1:0]	00	control delay of pulse output assigned to CLK4 00 = 0nsec 01 = 1nsec 10 = 2nsec 11 = 3nsec	
	3:2	DEL_PCK3[1:0]	00	control delay of pulse output assigned to CLK3 00 = 0nsec 01 = 1nsec 10 = 2nsec 11 = 3nsec	

REGISTER ADDRESS	BIT	LABEL	DEFAULT	DESCRIPTION	REFER TO
	1:0	DEL_PCK2[1:0]	00	control delay of pulse output assigned to CLK2 00 = 0nsec 01 = 1nsec 10 = 2nsec 11 = 3nsec	

**Register B0h** TG config 17

REGISTER ADDRESS	BIT	LABEL	DEFAULT	DESCRIPTION	REFER TO
R177 (B1h) TG config 18	5:4	DEL_PCK8[1:0]	00	control delay of pulse output assigned to CLK8 00 = 0nsec 01 = 1nsec 10 = 2nsec 11 = 3nsec	
	3:2	DEL_PCK7[1:0]	00	control delay of pulse output assigned to CLK7 00 = 0nsec 01 = 1nsec 10 = 2nsec 11 = 3nsec	
	1:0	DEL_PCK6[1:0]	00	control delay of pulse output assigned to CLK6 00 = 0nsec 01 = 1nsec 10 = 2nsec 11 = 3nsec	

**Register B1h** TG config 18

REGISTER ADDRESS	BIT	LABEL	DEFAULT	DESCRIPTION	REFER TO
R179 (B3h) TG config 20	4	INV_M3	0	invert mask pulse "M3" 0 = non-inverted 1 = inverted	
	3	INV_M2	0	invert mask pulse "M2" 0 = non-inverted 1 = inverted	
	2	INV_M1	0	invert mask pulse "M1" 0 = non-inverted 1 = inverted	
	1	INV_T2	0	invert toggle pulse "T2" 0 = non-inverted 1 = inverted	
	0	INV_T1	0	invert toggle pulse "T1" 0 = non-inverted 1 = inverted	

**Register B3h** TG config 20

REGISTER ADDRESS	BIT	LABEL	DEFAULT	DESCRIPTION	REFER TO
R180 (B4h) TG config 21	3:0	SEL_FLAG[3:0]	0000	select signal to be output as datatrig 0xxx = flagpix	

REGISTER ADDRESS	BIT	LABEL	DEFAULT	DESCRIPTION	REFER TO
				1000 = PO0 1001 = PO1 1010 = PO2 1011 = PO3 1100 = PO4 1101 = PO5 1110 = PO6 1111 = PO7	

**Register B4h** TG config 21

REGISTER ADDRESS	BIT	LABEL	DEFAULT	DESCRIPTION	REFER TO
R181 (B5h) TG config 22	6:4	CYCPAT_PO1 [2:0]	000	PO1 cycle mode control [0] = pulse enable at cycle-1 [1] = pulse enable at cycle-2 [2] = pulse enable at cycle-3	
	2:0	CYCPAT_PO0 [2:0]	000	PO0 cycle mode control [0] = pulse enable at cycle-1 [1] = pulse enable at cycle-2 [2] = pulse enable at cycle-3	

**Register B5h** TG config 22

REGISTER ADDRESS	BIT	LABEL	DEFAULT	DESCRIPTION	REFER TO
R182 (B6h) TG config 23	6:4	CYCPAT_PO3 [2:0]	000	PO3 cycle mode control [0] = pulse enable at cycle-1 [1] = pulse enable at cycle-2 [2] = pulse enable at cycle-3	
	2:0	CYCPAT_PO2 [2:0]	000	PO2 cycle mode control [0] = pulse enable at cycle-1 [1] = pulse enable at cycle-2 [2] = pulse enable at cycle-3	

**Register B6h** TG config 23

REGISTER ADDRESS	BIT	LABEL	DEFAULT	DESCRIPTION	REFER TO
R183 (B7h) TG config 24	6:4	CYCPAT_PO5 [2:0]	000	PO5 cycle mode control [0] = pulse enable at cycle-1 [1] = pulse enable at cycle-2 [2] = pulse enable at cycle-3	
	2:0	CYCPAT_PO4 [2:0]	000	PO4 cycle mode control [0] = pulse enable at cycle-1 [1] = pulse enable at cycle-2 [2] = pulse enable at cycle-3	

**Register B7h** TG config 24

REGISTER ADDRESS	BIT	LABEL	DEFAULT	DESCRIPTION	REFER TO
R184 (B8h)	6:4	CYCPAT_PO7	000	PO7 cycle mode control	

REGISTER ADDRESS	BIT	LABEL	DEFAULT	DESCRIPTION	REFER TO
TG config 25		[2:0]		[0] = pulse enable at cycle-1 [1] = pulse enable at cycle-2 [2] = pulse enable at cycle-3	
	2:0	CYCPAT_PO6 [2:0]	000	PO6 cycle mode control [0] = pulse enable at cycle-1 [1] = pulse enable at cycle-2 [2] = pulse enable at cycle-3	

**Register B8h** TG config 25

REGISTER ADDRESS	BIT	LABEL	DEFAULT	DESCRIPTION	REFER TO
R185 (B9h) clamp enable rise LSB	7:0	CLAMP_RISE [7:0]	0000_0000	LSBs of CLAMP_RISE clamp enable pulse rise pixel	

**Register B9h** clamp enable rise LSB

REGISTER ADDRESS	BIT	LABEL	DEFAULT	DESCRIPTION	REFER TO
R186 (Bah) clamp enable rise MSB	6:0	CLAMP_RISE [14:8]	000_0000	MSBs of CLAMP_RISE clamp enable pulse rise pixel	

**Register Bah** clamp enable rise MSB

REGISTER ADDRESS	BIT	LABEL	DEFAULT	DESCRIPTION	REFER TO
R187 (BBh) clamp enable fall LSB	7:0	CLAMP_FALL [7:0]	0000_0000	LSBs of CLAMP_FALL clamp enable pulse fall pixel	

**Register BBh** clamp enable fall LSB

REGISTER ADDRESS	BIT	LABEL	DEFAULT	DESCRIPTION	REFER TO
R188 (BCh) clamp enable fall MSB	6:0	CLAMP_FALL [14:8]	000_0000	MSBs of CLAMP_FALL clamp enable pulse fall pixel	

**Register BCh** clamp enable fall MSB

REGISTER ADDRESS	BIT	LABEL	DEFAULT	DESCRIPTION	REFER TO
R189 (BDh) OB start LSB	7:0	OB_START[7:0]	0000_0000	LSBs of OB_START optical black calibration start pixel count	

**Register BDh** OB start LSB

REGISTER ADDRESS	BIT	LABEL	DEFAULT	DESCRIPTION	REFER TO
R190 (Beh) OB start MSB	6:0	OB_START [14:8]	000_0000	MSBs of OB_START optical black calibration start pixel count	



**Register Beh OB start MSB**

REGISTER ADDRESS	BIT	LABEL	DEFAULT	DESCRIPTION	REFER TO
R191 (BFh) peak_det rise LSB	7:0	PEAKDET_RISE E [7:0]	0000_0000	LSBs of PEAKDET_RISE[14:0] peak detection start pixel count	

**Register BFh** peak\_det rise LSB

REGISTER ADDRESS	BIT	LABEL	DEFAULT	DESCRIPTION	REFER TO
R192 (C0h) peak_det rise MSB	6:0	PEAKDET_RISE E [14:8]	000_0000	MSBs of PEAKDET_RISE[14:0] peak detection start pixel count	

**Register C0h** peak\_det rise MSB

REGISTER ADDRESS	BIT	LABEL	DEFAULT	DESCRIPTION	REFER TO
R193 (C1h) peak_det fall LSB	7:0	PEAKDET_FALL L [7:0]	0000_0000	LSBs of PEAKDET_FALL[14:0] peak detection end pixel count	

**Register C1h** peak\_det fall LSB

REGISTER ADDRESS	BIT	LABEL	DEFAULT	DESCRIPTION	REFER TO
R194 (C2h) peak_det fall MSB	6:0	PEAKDET_FALL L [14:8]	000_0000	MSBs of PEAKDET_FALL[14:0] peak detection end pixel count	

**Register C2h** peak\_det fall MSB

REGISTER ADDRESS	BIT	LABEL	DEFAULT	DESCRIPTION	REFER TO
R195 (C3h) Mask pulse 1 rise LSB	7:0	M1_RISE[7:0]	0000_0000	LSBs of M1_RISE[14:0] mask pulse "M1" rise pixel count	

**Register C3h** Mask pulse 1 rise LSB

REGISTER ADDRESS	BIT	LABEL	DEFAULT	DESCRIPTION	REFER TO
R196 (C4h) Mask pulse 1 rise MSB	6:0	M1_RISE[14:8]	000_0000	MSBs of M1_RISE[14:0] mask pulse "M1" rise pixel count	

**Register C4h** Mask pulse 1 rise MSB

REGISTER ADDRESS	BIT	LABEL	DEFAULT	DESCRIPTION	REFER TO
R197 (C5h) Mask pulse 1 fall LSB	7:0	M1_FALL[7:0]	0000_0000	LSBs of M1_FALL[14:0] mask pulse "M1" fall pixel count	

**Register C5h** Mask pulse 1 fall LSB

REGISTER ADDRESS	BIT	LABEL	DEFAULT	DESCRIPTION	REFER TO
R198 (C6h) Mask pulse 1 fall MSB	6:0	M1_FALL[14:8]	000_0000	MSBs of M1_FALL[14:0] mask pulse "M1" fall pixel count	

**Register C6h** Mask pulse 1 fall MSB

REGISTER ADDRESS	BIT	LABEL	DEFAULT	DESCRIPTION	REFER TO
R199 (C7h) Mask pulse 2 rise LSB	7:0	M2_RISE[7:0]	0000_0000	LSBs of M2_RISE[14:0] mask pulse "M2" rise pixel count	

**Register C7h** Mask pulse 2 rise LSB

REGISTER ADDRESS	BIT	LABEL	DEFAULT	DESCRIPTION	REFER TO
R200 (C8h) Mask pulse 2 rise MSB	6:0	M2_RISE[14:8]	000_0000	MSBs of M2_RISE[14:0] mask pulse "M2" rise pixel count	

**Register C8h** Mask pulse 2 rise MSB

REGISTER ADDRESS	BIT	LABEL	DEFAULT	DESCRIPTION	REFER TO
R201 (C9h) Mask pulse 2 fall LSB	7:0	M2_FALL[7:0]	0000_0000	LSBs of M2_FALL[14:0] mask pulse "M2" fall pixel count	

**Register C9h** Mask pulse 2 fall LSB

REGISTER ADDRESS	BIT	LABEL	DEFAULT	DESCRIPTION	REFER TO
R202 (Cah) Mask pulse 2 fall MSB	6:0	M2_FALL[14:8]	000_0000	MSBs of M2_FALL[14:0] mask pulse "M2" fall pixel count	

**Register Cah** Mask pulse 2 fall MSB

REGISTER ADDRESS	BIT	LABEL	DEFAULT	DESCRIPTION	REFER TO
R203 (CBh) Mask pulse 3 rise LSB	7:0	M3_RISE[7:0]	0000_0000	LSBs of M3_RISE mask pulse "M3" rise pixel count	

**Register CBh** Mask pulse 3 rise LSB

REGISTER ADDRESS	BIT	LABEL	DEFAULT	DESCRIPTION	REFER TO
R204 (CCh) Mask pulse 3 rise MSB	6:0	M3_RISE[14:8]	000_0000	MSBs of M3_RISE mask pulse "M3" rise pixel count	

**Register CCh** Mask pulse 3 rise MSB

REGISTER ADDRESS	BIT	LABEL	DEFAULT	DESCRIPTION	REFER TO
R205 (CDh) Mask pulse 3 fall LSB	7:0	M3_FALL[7:0]	0000_0000	LSBs of M3_FALL mask pulse "M3" fall pixel count	

**Register CDh** Mask pulse 3 fall LSB

REGISTER ADDRESS	BIT	LABEL	DEFAULT	DESCRIPTION	REFER TO
R206 (Ceh) Mask pulse 3 fall MSB	6:0	M3_FALL[14:8]	000_0000	MSBs of M3_FALL mask pulse "M3" fall pixel count	

**Register Ceh** Mask pulse 3 fall MSB

REGISTER ADDRESS	BIT	LABEL	DEFAULT	DESCRIPTION	REFER TO
R207 (CFh) Toggle point 0 LSB	7:0	TP0[7:0]	0000_0000	pixel count of toggle point "TP0"	

**Register CFh** Toggle point 0 LSB

REGISTER ADDRESS	BIT	LABEL	DEFAULT	DESCRIPTION	REFER TO
R208 (D0h) Toggle point 0 MSB	7	GEN_TP0	0	global enable of toggle point 0 = disable all toggle point 1 = enable toggle point "TP0"	
	6:0	TP0[14:8]	000_0000	pixel count of toggle point "TP0"	

**Register D0h** Toggle point 0 MSB

REGISTER ADDRESS	BIT	LABEL	DEFAULT	DESCRIPTION	REFER TO
R209 (D1h) Toggle point 1 LSB	7:0	TP1[7:0]	0000_0000	pixel count of toggle point "TP1"	

**Register D1h** Toggle point 1 LSB

REGISTER ADDRESS	BIT	LABEL	DEFAULT	DESCRIPTION	REFER TO
R210 (D2h) Toggle point 1 MSB	7	EN_TP1	0	enable toggle point "TP1" 0 = disable "TP1" and all subsequent toggle point 1 = enable toggle point "TP1"	
	6:0	TP1[14:8]	000_0000	pixel count of toggle point "TP1"	

**Register D2h** Toggle point 1 MSB

REGISTER ADDRESS	BIT	LABEL	DEFAULT	DESCRIPTION	REFER TO
R211 (D3h) Toggle point 2 LSB	7:0	TP2[7:0]	0000_0000	pixel count of toggle point "TP2"	

**Register D3h** Toggle point 2 LSB

REGISTER ADDRESS	BIT	LABEL	DEFAULT	DESCRIPTION	REFER TO
R212 (D4h) Toggle point 2 MSB	7	EN_TP2	0	enable toggle point "TP2" 0 = disable "TP2" and all subsequent toggle point 1 = enable toggle point "TP2"	
	6:0	TP2[14:8]	000_0000	pixel count of toggle point "TP2"	

**Register D4h** Toggle point 2 MSB

REGISTER ADDRESS	BIT	LABEL	DEFAULT	DESCRIPTION	REFER TO
R213 (D5h) Toggle point 3 LSB	7:0	TP3[7:0]	0000_0000	pixel count of toggle point "TP3"	

**Register D5h** Toggle point 3 LSB

REGISTER ADDRESS	BIT	LABEL	DEFAULT	DESCRIPTION	REFER TO
R214 (D6h) Toggle point 3 MSB	7	EN_TP3	0	enable toggle point "TP3" 0 = disable "TP3" and all subsequent toggle point 1 = enable toggle point "TP3"	
	6:0	TP3[14:8]	000_0000	pixel count of toggle point "TP3"	

**Register D6h** Toggle point 3 MSB

REGISTER ADDRESS	BIT	LABEL	DEFAULT	DESCRIPTION	REFER TO
R215 (D7h) Toggle point 4 LSB	7:0	TP4[7:0]	0000_0000	pixel count of toggle point "TP4"	

**Register D7h** Toggle point 4 LSB

REGISTER ADDRESS	BIT	LABEL	DEFAULT	DESCRIPTION	REFER TO
R216 (D8h) Toggle point 4 MSB	7	EN_TP4	0	enable toggle point "TP4" 0 = disable "TP4" and all subsequent toggle point 1 = enable toggle point "TP4"	
	6:0	TP4[14:8]	000_0000	pixel count of toggle point "TP4"	

**Register D8h** Toggle point 4 MSB

REGISTER ADDRESS	BIT	LABEL	DEFAULT	DESCRIPTION	REFER TO
R217 (D9h)	7:0	TP5[7:0]	0000_0000	pixel count of toggle point "TP5"	

REGISTER ADDRESS	BIT	LABEL	DEFAULT	DESCRIPTION	REFER TO
Toggle point 5 LSB					

**Register D9h** Toggle point 5 LSB

REGISTER ADDRESS	BIT	LABEL	DEFAULT	DESCRIPTION	REFER TO
R218 (Dah) Toggle point 5 MSB	7	EN_TP5	0	enable toggle point "TP5" 0 = disable "TP5" and all subsequent toggle point 1 = enable toggle point "TP5"	
	6:0	TP5[14:8]	000_0000	pixel count of toggle point "TP5"	

**Register Dah** Toggle point 5 MSB

REGISTER ADDRESS	BIT	LABEL	DEFAULT	DESCRIPTION	REFER TO
R219 (DBh) Toggle point 6 LSB	7:0	TP6[7:0]	0000_0000	pixel count of toggle point "TP1"	

**Register DBh** Toggle point 6 LSB

REGISTER ADDRESS	BIT	LABEL	DEFAULT	DESCRIPTION	REFER TO
R220 (DCh) Toggle point 6 MSB	7	EN_TP6	0	enable toggle point "TP6" 0 = disable "TP6" and all subsequent toggle point 1 = enable toggle point "TP6"	
	6:0	TP6[14:8]	000_0000	pixel count of toggle point "TP6"	

**Register DCh** Toggle point 6 MSB

REGISTER ADDRESS	BIT	LABEL	DEFAULT	DESCRIPTION	REFER TO
R221 (DDh) Toggle point 7 LSB	7:0	TP7[7:0]	0000_0000	pixel count of toggle point "TP7"	

**Register DDh** Toggle point 7 LSB

REGISTER ADDRESS	BIT	LABEL	DEFAULT	DESCRIPTION	REFER TO
R222 (Deh) Toggle point 7 MSB	7	EN_TP7	0	enable toggle point "TP7" 0 = disable "TP7" and all subsequent toggle point 1 = enable toggle point "TP7"	
	6:0	TP7[14:8]	000_0000	pixel count of toggle point "TP7"	

**Register Deh** Toggle point 7 MSB

REGISTER ADDRESS	BIT	LABEL	DEFAULT	DESCRIPTION	REFER TO
R223 (DFh) Toggle point	7:0	TP8[7:0]	0000_0000	pixel count of toggle point "TP8"	

REGISTER ADDRESS	BIT	LABEL	DEFAULT	DESCRIPTION	REFER TO
8 LSB					

**Register DFh** Toggle point 8 LSB

REGISTER ADDRESS	BIT	LABEL	DEFAULT	DESCRIPTION	REFER TO
R224 (E0h) Toggle point 8 MSB	7	EN_TP8	0	enable toggle point "TP8" 0 = disable "TP8" and all subsequent toggle point 1 = enable toggle point "TP8"	
	6:0	TP8[14:8]	000_0000	pixel count of toggle point "TP8"	

**Register E0h** Toggle point 8 MSB

REGISTER ADDRESS	BIT	LABEL	DEFAULT	DESCRIPTION	REFER TO
R225 (E1h) Toggle point 9 LSB	7:0	TP9[7:0]	0000_0000	pixel count of toggle point "TP9"	

**Register E1h** Toggle point 9 LSB

REGISTER ADDRESS	BIT	LABEL	DEFAULT	DESCRIPTION	REFER TO
R226 (E2h) Toggle point 9 MSB	7	EN_TP9	0	enable toggle point "TP9" 0 = disable "TP9" and all subsequent toggle point 1 = enable toggle point "TP9"	
	6:0	TP9[14:8]	000_0000	pixel count of toggle point "TP9"	

**Register E2h** Toggle point 9 MSB

REGISTER ADDRESS	BIT	LABEL	DEFAULT	DESCRIPTION	REFER TO
R227 (E3h) Toggle point 10 LSB	7:0	TP10[7:0]	0000_0000	pixel count of toggle point "TP10"	

**Register E3h** Toggle point 10 LSB

REGISTER ADDRESS	BIT	LABEL	DEFAULT	DESCRIPTION	REFER TO
R228 (E4h) Toggle point 10 MSB	7	EN_TP10	0	enable toggle point "TP10" 0 = disable "TP10" and all subsequent toggle point 1 = enable toggle point "TP10"	
	6:0	TP10[14:8]	000_0000	pixel count of toggle point "TP10"	

**Register E4h** Toggle point 10 MSB

REGISTER ADDRESS	BIT	LABEL	DEFAULT	DESCRIPTION	REFER TO
R229 (E5h) Toggle point 11 LSB	7:0	TP11[7:0]	0000_0000	pixel count of toggle point "TP11"	

**Register E5h** Toggle point 11 LSB

REGISTER ADDRESS	BIT	LABEL	DEFAULT	DESCRIPTION	REFER TO
R230 (E6h) Toggle point 11 MSB	7	EN_TP11	0	enable toggle point "TP11" 0 = disable "TP11" and all subsequent toggle point 1 = enable toggle point "TP11"	
	6:0	TP11[14:8]	000_0000	pixel count of toggle point "TP11"	

**Register E6h** Toggle point 11 MSB

REGISTER ADDRESS	BIT	LABEL	DEFAULT	DESCRIPTION	REFER TO
R231 (E7h) Toggle point 12 LSB	7:0	TP12[7:0]	0000_0000	pixel count of toggle point "TP12"	

**Register E7h** Toggle point 12 LSB

REGISTER ADDRESS	BIT	LABEL	DEFAULT	DESCRIPTION	REFER TO
R232 (E8h) Toggle point 12 MSB	7	EN_TP12	0	enable toggle point "TP12" 0 = disable "TP12" and all subsequent toggle point 1 = enable toggle point "TP12"	
	6:0	TP12[14:8]	000_0000	pixel count of toggle point "TP12"	

**Register E8h** Toggle point 12 MSB

REGISTER ADDRESS	BIT	LABEL	DEFAULT	DESCRIPTION	REFER TO
R233 (E9h) Toggle point 13 LSB	7:0	TP13[7:0]	0000_0000	pixel count of toggle point "TP13"	

**Register E9h** Toggle point 13 LSB

REGISTER ADDRESS	BIT	LABEL	DEFAULT	DESCRIPTION	REFER TO
R234 (Eah) Toggle point 13 MSB	7	EN_TP13	0	enable toggle point "TP13" 0 = disable "TP13" and all subsequent toggle point 1 = enable toggle point "TP13"	
	6:0	TP13[14:8]	000_0000	pixel count of toggle point "TP13"	

**Register Eah** Toggle point 13 MSB

REGISTER ADDRESS	BIT	LABEL	DEFAULT	DESCRIPTION	REFER TO
R235 (Ebh) Toggle point 14 LSB	7:0	TP14[7:0]	0000_0000	pixel count of toggle point "TP14"	

**Register Ebh** Toggle point 14 LSB

REGISTER ADDRESS	BIT	LABEL	DEFAULT	DESCRIPTION	REFER TO
R236 (Ech) Toggle point 14 MSB	7	EN_TP14	0	enable toggle point "TP14" 0 = disable "TP14" and all subsequent toggle point 1 = enable toggle point "TP14"	
	6:0	TP14[14:8]	000_0000	pixel count of toggle point "TP14"	

**Register Ech** Toggle point 14 MSB

REGISTER ADDRESS	BIT	LABEL	DEFAULT	DESCRIPTION	REFER TO
R237 (Edh) Toggle point 15 LSB	7:0	TP15[7:0]	0000_0000	pixel count of toggle point "TP15"	

**Register Edh** Toggle point 15 LSB

REGISTER ADDRESS	BIT	LABEL	DEFAULT	DESCRIPTION	REFER TO
R238 (Eeh) Toggle point 15 MSB	7	EN_TP15	0	enable toggle point "TP15" 0 = disable "TP15" and all subsequent toggle point 1 = enable toggle point "TP15"	
	6:0	TP15[14:8]	000_0000	pixel count of toggle point "TP15"	

**Register Eeh** Toggle point 15 MSB

REGISTER ADDRESS	BIT	LABEL	DEFAULT	DESCRIPTION	REFER TO
R239 (Efh) Toggle point 16 LSB	7:0	TP16[7:0]	0000_0000	pixel count of toggle point "TP16"	

**Register Efh** Toggle point 16 LSB

REGISTER ADDRESS	BIT	LABEL	DEFAULT	DESCRIPTION	REFER TO
R240 (F0h) Toggle point 16 MSB	7	EN_TP16	0	enable toggle point "TP16" 0 = disable "TP16" and all subsequent toggle point 1 = enable toggle point "TP16"	
	6:0	TP16[14:8]	000_0000	pixel count of toggle point "TP16"	

**Register F0h** Toggle point 16 MSB

REGISTER ADDRESS	BIT	LABEL	DEFAULT	DESCRIPTION	REFER TO
R241 (F1h) Toggle point 17 LSB	7:0	TP17[7:0]	0000_0000	pixel count of toggle point "TP17"	

**Register F1h** Toggle point 17 LSB

REGISTER ADDRESS	BIT	LABEL	DEFAULT	DESCRIPTION	REFER TO
R242 (F2h)	7	EN_TP17	0	enable toggle point "TP17"	



REGISTER ADDRESS	BIT	LABEL	DEFAULT	DESCRIPTION	REFER TO
Toggle point 17 MSB				0 = disable "TP17" and all subsequent toggle point 1 = enable toggle point "TP17"	
	6:0	TP17[14:8]	000_0000	pixel count of toggle point "TP17"	

**Register F2h** Toggle point 17 MSB

REGISTER ADDRESS	BIT	LABEL	DEFAULT	DESCRIPTION	REFER TO
R243 (F3h) Toggle point 18 LSB	7:0	TP18[7:0]	0000_0000	pixel count of toggle point "TP18"	

**Register F3h** Toggle point 18 LSB

REGISTER ADDRESS	BIT	LABEL	DEFAULT	DESCRIPTION	REFER TO
R244 (F4h) Toggle point 18 MSB	7	EN_TP18	0	enable toggle point "TP18" 0 = disable "TP18" and all subsequent toggle point 1 = enable toggle point "TP18"	
	6:0	TP18[14:8]	000_0000	pixel count of toggle point "TP18"	

**Register F4h** Toggle point 18 MSB

REGISTER ADDRESS	BIT	LABEL	DEFAULT	DESCRIPTION	REFER TO
R245 (F5h) Toggle point 19 LSB	7:0	TP19[7:0]	0000_0000	pixel count of toggle point "TP19"	

**Register F5h** Toggle point 19 LSB

REGISTER ADDRESS	BIT	LABEL	DEFAULT	DESCRIPTION	REFER TO
R246 (F6h) Toggle point 19 MSB	7	EN_TP19	0	enable toggle point "TP19" 0 = disable "TP19" and all subsequent toggle point 1 = enable toggle point "TP19"	
	6:0	TP19[14:8]	000_0000	pixel count of toggle point "TP19"	

**Register F6h** Toggle point 19 MSB

REGISTER ADDRESS	BIT	LABEL	DEFAULT	DESCRIPTION	REFER TO
R247 (F7h) Toggle point 20 LSB	7:0	TP20[7:0]	0000_0000	pixel count of toggle point "TP20"	

**Register F7h** Toggle point 20 LSB

REGISTER ADDRESS	BIT	LABEL	DEFAULT	DESCRIPTION	REFER TO
R248 (F8h) Toggle point	7	EN_TP20	0	enable toggle point "TP20" 0 = disable "TP20" and all subsequent toggle point	

REGISTER ADDRESS	BIT	LABEL	DEFAULT	DESCRIPTION	REFER TO
20 MSB				1 = enable toggle point "TP20"	
	6:0	TP20[14:8]	000_0000	pixel count of toggle point "TP20"	

**Register F8h** Toggle point 20 MSB

REGISTER ADDRESS	BIT	LABEL	DEFAULT	DESCRIPTION	REFER TO
R249 (F9h) Toggle point 21 LSB	7:0	TP21[7:0]	0000_0000	pixel count of toggle point "TP21"	

**Register F9h** Toggle point 21 LSB

REGISTER ADDRESS	BIT	LABEL	DEFAULT	DESCRIPTION	REFER TO
R250 (Fah) Toggle point 21 MSB	7	EN_TP21	0	enable toggle point "TP21" 0 = disable "TP21" and all subsequent toggle point 1 = enable toggle point "TP21"	
	6:0	TP21[14:8]	000_0000	pixel count of toggle point "TP21"	

**Register Fah** Toggle point 21 MSB

REGISTER ADDRESS	BIT	LABEL	DEFAULT	DESCRIPTION	REFER TO
R251 (FBh) Toggle point 22 LSB	7:0	TP22[7:0]	0000_0000	pixel count of toggle point "TP22"	

**Register FBh** Toggle point 22 LSB

REGISTER ADDRESS	BIT	LABEL	DEFAULT	DESCRIPTION	REFER TO
R252 (FCh) Toggle point 22 MSB	7	EN_TP22	0	enable toggle point "TP22" 0 = disable "TP22" and all subsequent toggle point 1 = enable toggle point "TP22"	
	6:0	TP22[14:8]	000_0000	pixel count of toggle point "TP22"	

**Register FCh** Toggle point 22 MSB

REGISTER ADDRESS	BIT	LABEL	DEFAULT	DESCRIPTION	REFER TO
R253 (FDh) Toggle point 23 LSB	7:0	TP23[7:0]	0000_0000	pixel count of toggle point "TP23"	

**Register FDh** Toggle point 23 LSB

REGISTER ADDRESS	BIT	LABEL	DEFAULT	DESCRIPTION	REFER TO
R254 (Feh) Toggle point 23 MSB	7	EN_TP23	0	enable toggle point "TP23" 0 = disable "TP23" and all subsequent toggle point 1 = enable toggle point "TP23"	

REGISTER ADDRESS	BIT	LABEL	DEFAULT	DESCRIPTION	REFER TO
	6:0	TP23[14:8]	000_0000	pixel count of toggle point "TP23"	

**Register Feh** Toggle point 23 MSB

REGISTER ADDRESS	BIT	LABEL	DEFAULT	DESCRIPTION	REFER TO
R255 (FFh) Toggle point 24 LSB	7:0	TP24[7:0]	0000_0000	pixel count of toggle point "TP24"	

**Register FFh** Toggle point 24 LSB

REGISTER ADDRESS	BIT	LABEL	DEFAULT	DESCRIPTION	REFER TO
R256 (0100h) Toggle point 24 MSB	7	EN_TP24	0	enable toggle point "TP24" 0 = disable "TP24" and all subsequent toggle point 1 = enable toggle point "TP24"	
	6:0	TP24[14:8]	000_0000	pixel count of toggle point "TP24"	

**Register 0100h** Toggle point 24 MSB

REGISTER ADDRESS	BIT	LABEL	DEFAULT	DESCRIPTION	REFER TO
R257 (0101h) Toggle point 25 LSB	7:0	TP25[7:0]	0000_0000	pixel count of toggle point "TP25"	

**Register 0101h** Toggle point 25 LSB

REGISTER ADDRESS	BIT	LABEL	DEFAULT	DESCRIPTION	REFER TO
R258 (0102h) Toggle point 25 MSB	7	EN_TP25	0	enable toggle point "TP25" 0 = disable "TP25" and all subsequent toggle point 1 = enable toggle point "TP25"	
	6:0	TP25[14:8]	000_0000	pixel count of toggle point "TP25"	

**Register 0102h** Toggle point 25 MSB

REGISTER ADDRESS	BIT	LABEL	DEFAULT	DESCRIPTION	REFER TO
R259 (0103h) Toggle point 26 LSB	7:0	TP26[7:0]	0000_0000	pixel count of toggle point "TP26"	

**Register 0103h** Toggle point 26 LSB

REGISTER ADDRESS	BIT	LABEL	DEFAULT	DESCRIPTION	REFER TO
R260 (0104h) Toggle point 26 MSB	7	EN_TP26	0	enable toggle point "TP26" 0 = disable "TP26" and all subsequent toggle point 1 = enable toggle point "TP26"	
	6:0	TP26[14:8]	000_0000	pixel count of toggle point "TP26"	

**Register 0104h** Toggle point 26 MSB

REGISTER ADDRESS	BIT	LABEL	DEFAULT	DESCRIPTION	REFER TO
R261 (0105h) Toggle point 27 LSB	7:0	TP27[7:0]	0000_0000	pixel count of toggle point "TP27"	

**Register 0105h** Toggle point 27 LSB

REGISTER ADDRESS	BIT	LABEL	DEFAULT	DESCRIPTION	REFER TO
R262 (0106h) Toggle point 27 MSB	7	EN_TP27	0	enable toggle point "TP27" 0 = disable "TP27" and all subsequent toggle point 1 = enable toggle point "TP27"	
	6:0	TP27[14:8]	000_0000	pixel count of toggle point "TP27"	

**Register 0106h** Toggle point 27 MSB

REGISTER ADDRESS	BIT	LABEL	DEFAULT	DESCRIPTION	REFER TO
R263 (0107h) Toggle point 28 LSB	7:0	TP28[7:0]	0000_0000	pixel count of toggle point "TP28"	

**Register 0107h** Toggle point 28 LSB

REGISTER ADDRESS	BIT	LABEL	DEFAULT	DESCRIPTION	REFER TO
R264 (0108h) Toggle point 28 MSB	7	EN_TP28	0	enable toggle point "TP28" 0 = disable "TP28" and all subsequent toggle point 1 = enable toggle point "TP28"	
	6:0	TP28[14:8]	000_0000	pixel count of toggle point "TP28"	

**Register 0108h** Toggle point 28 MSB

REGISTER ADDRESS	BIT	LABEL	DEFAULT	DESCRIPTION	REFER TO
R265 (0109h) Toggle point 29 LSB	7:0	TP29[7:0]	0000_0000	pixel count of toggle point "TP29"	

**Register 0109h** Toggle point 29 LSB

REGISTER ADDRESS	BIT	LABEL	DEFAULT	DESCRIPTION	REFER TO
R266 (010Ah) Toggle point 29 MSB	7	EN_TP29	0	enable toggle point "TP29" 0 = disable "TP29" and all subsequent toggle point 1 = enable toggle point "TP29"	
	6:0	TP29[14:8]	000_0000	pixel count of toggle point "TP29"	

**Register 010Ah** Toggle point 29 MSB

REGISTER ADDRESS	BIT	LABEL	DEFAULT	DESCRIPTION	REFER TO
R267 (010Bh) Toggle point 30 LSB	7:0	TP30[7:0]	0000_0000	pixel count of toggle point "TP30"	

**Register 010Bh** Toggle point 30 LSB

REGISTER ADDRESS	BIT	LABEL	DEFAULT	DESCRIPTION	REFER TO
R268 (010Ch) Toggle point 30 MSB	7	EN_TP30	0	enable toggle point "TP30" 0 = disable "TP30" and all subsequent toggle point 1 = enable toggle point "TP30"	
	6:0	TP30[14:8]	000_0000	pixel count of toggle point "TP30"	

**Register 010Ch** Toggle point 30 MSB

REGISTER ADDRESS	BIT	LABEL	DEFAULT	DESCRIPTION	REFER TO
R269 (010Dh) Toggle point 31 LSB	7:0	TP31[7:0]	0000_0000	pixel count of toggle point "TP31"	

**Register 010Dh** Toggle point 31 LSB

REGISTER ADDRESS	BIT	LABEL	DEFAULT	DESCRIPTION	REFER TO
R270 (010Eh) Toggle point 31 MSB	7	EN_TP31	0	enable toggle point "TP31" 0 = disable "TP31" 1 = enable toggle point "TP31"	
	6:0	TP31[14:8]	000_0000	pixel count of toggle point "TP31"	

**Register 010Eh** Toggle point 31 MSB

REGISTER ADDRESS	BIT	LABEL	DEFAULT	DESCRIPTION	REFER TO
R271 (010Fh) Polarity setting of T1 1	7	POL7_T1	1	logic level of T1 pulse at toggle point TP7 0 = low at TP7 1 = high at TP7	
	6	POL6_T1	1	logic level of T1 pulse at toggle point TP6 0 = low at TP6 1 = high at TP6	
	5	POL5_T1	1	logic level of T1 pulse at toggle point TP5 0 = low at TP5 1 = high at TP5	
	4	POL4_T1	1	logic level of T1 pulse at toggle point TP4 0 = low at TP4 1 = high at TP4	
	3	POL3_T1	1	logic level of T1 pulse at toggle point TP3 0 = low at TP3 1 = high at TP3	
	2	POL2_T1	1	logic level of T1 pulse at toggle point TP2	

REGISTER ADDRESS	BIT	LABEL	DEFAULT	DESCRIPTION	REFER TO
				0 = low at TP2 1 = high at TP2	
	1	POL1_T1	1	logic level of T1 pulse at toggle point TP1 0 = low at TP1 1 = high at TP1	
	0	POL0_T1	1	logic level of T1 pulse at toggle point TP0 0 = low at TP0 1 = high at TP0	

**Register 010Fh** Polarity setting of T1 1

REGISTER ADDRESS	BIT	LABEL	DEFAULT	DESCRIPTION	REFER TO
R272 (0110h) Polarity setting of T1 2	7	POL15_T1	1	logic level of T1 pulse at toggle point TP15 0 = low at TP15 1 = high at TP15	
	6	POL14_T1	1	logic level of T1 pulse at toggle point TP14 0 = low at TP14 1 = high at TP14	
	5	POL13_T1	1	logic level of T1 pulse at toggle point TP13 0 = low at TP13 1 = high at TP13	
	4	POL12_T1	1	logic level of T1 pulse at toggle point TP12 0 = low at TP12 1 = high at TP12	
	3	POL11_T1	1	logic level of T1 pulse at toggle point TP11 0 = low at TP11 1 = high at TP11	
	2	POL10_T1	1	logic level of T1 pulse at toggle point TP10 0 = low at TP10 1 = high at TP10	
	1	POL9_T1	1	logic level of T1 pulse at toggle point TP9 0 = low at TP9 1 = high at TP9	
	0	POL8_T1	1	logic level of T1 pulse at toggle point TP8 0 = low at TP8 1 = high at TP8	

**Register 0110h** Polarity setting of T1 2

REGISTER ADDRESS	BIT	LABEL	DEFAULT	DESCRIPTION	REFER TO
R273 (0111h) Polarity setting of T1 3	7	POL23_T1	1	logic level of T1 pulse at toggle point TP23 0 = low at TP23 1 = high at TP23	
	6	POL22_T1	1	logic level of T1 pulse at toggle point TP22 0 = low at TP22 1 = high at TP22	
	5	POL21_T1	1	logic level of T1 pulse at toggle point TP21 0 = low at TP21 1 = high at TP21	
	4	POL20_T1	1	logic level of T1 pulse at toggle point TP20	

REGISTER ADDRESS	BIT	LABEL	DEFAULT	DESCRIPTION	REFER TO
				0 = low at TP20 1 = high at TP20	
	3	POL19_T1	1	logic level of T1 pulse at toggle point TP19 0 = low at TP19 1 = high at TP19	
	2	POL18_T1	1	logic level of T1 pulse at toggle point TP18 0 = low at TP18 1 = high at TP18	
	1	POL17_T1	1	logic level of T1 pulse at toggle point TP17 0 = low at TP17 1 = high at TP17	
	0	POL16_T1	1	logic level of T1 pulse at toggle point TP16 0 = low at TP16 1 = high at TP16	

**Register 0111h** Polarity setting of T1 3

REGISTER ADDRESS	BIT	LABEL	DEFAULT	DESCRIPTION	REFER TO
R274 (0112h) Polarity setting of T1 4	7	POL31_T1	1	logic level of T1 pulse at toggle point TP31 0 = low at TP31 1 = high at TP31	
	6	POL30_T1	1	logic level of T1 pulse at toggle point TP30 0 = low at TP30 1 = high at TP30	
	5	POL29_T1	1	logic level of T1 pulse at toggle point TP29 0 = low at TP29 1 = high at TP29	
	4	POL28_T1	1	logic level of T1 pulse at toggle point TP28 0 = low at TP28 1 = high at TP28	
	3	POL27_T1	1	logic level of T1 pulse at toggle point TP27 0 = low at TP27 1 = high at TP27	
	2	POL26_T1	1	logic level of T1 pulse at toggle point TP26 0 = low at TP26 1 = high at TP26	
	1	POL25_T1	1	logic level of T1 pulse at toggle point TP25 0 = low at TP25 1 = high at TP25	
	0	POL24_T1	1	logic level of T1 pulse at toggle point TP24 0 = low at TP24 1 = high at TP24	

**Register 0112h** Polarity setting of T1 4

REGISTER ADDRESS	BIT	LABEL	DEFAULT	DESCRIPTION	REFER TO
R275 (0113h) Polarity setting of T2 1	7	POL7_T2	1	logic level of T2 pulse at toggle point TP7 0 = low at TP7 1 = high at TP7	
	6	POL6_T2	1	logic level of T2 pulse at toggle point TP6	

REGISTER ADDRESS	BIT	LABEL	DEFAULT	DESCRIPTION	REFER TO
				0 = low at TP6 1 = high at TP6	
	5	POL5_T2	1	logic level of T2 pulse at toggle point TP5 0 = low at TP5 1 = high at TP5	
	4	POL4_T2	1	logic level of T2 pulse at toggle point TP4 0 = low at TP4 1 = high at TP4	
	3	POL3_T2	1	logic level of T2 pulse at toggle point TP3 0 = low at TP3 1 = high at TP3	
	2	POL2_T2	1	logic level of T2 pulse at toggle point TP2 0 = low at TP2 1 = high at TP2	
	1	POL1_T2	1	logic level of T2 pulse at toggle point TP1 0 = low at TP1 1 = high at TP1	
	0	POL0_T2	1	logic level of T2 pulse at toggle point TP0 0 = low at TP0 1 = high at TP0	

**Register 0113h** Polarity setting of T2 1

REGISTER ADDRESS	BIT	LABEL	DEFAULT	DESCRIPTION	REFER TO
R276 (0114h) Polarity setting of T2 2	7	POL15_T2	1	logic level of T2 pulse at toggle point TP15 0 = low at TP15 1 = high at TP15	
	6	POL14_T2	1	logic level of T2 pulse at toggle point TP14 0 = low at TP14 1 = high at TP14	
	5	POL13_T2	1	logic level of T2 pulse at toggle point TP13 0 = low at TP13 1 = high at TP13	
	4	POL12_T2	1	logic level of T2 pulse at toggle point TP12 0 = low at TP12 1 = high at TP12	
	3	POL11_T2	1	logic level of T2 pulse at toggle point TP11 0 = low at TP11 1 = high at TP11	
	2	POL10_T2	1	logic level of T2 pulse at toggle point TP10 0 = low at TP10 1 = high at TP10	
	1	POL9_T2	1	logic level of T2 pulse at toggle point TP9 0 = low at TP9 1 = high at TP9	
	0	POL8_T2	1	logic level of T2 pulse at toggle point TP8 0 = low at TP8 1 = high at TP8	

**Register 0114h** Polarity setting of T2 2



REGISTER ADDRESS	BIT	LABEL	DEFAULT	DESCRIPTION	REFER TO
R277 (0115h) Polarity setting of T2 3	7	POL23_T2	1	logic level of T2 pulse at toggle point TP23 0 = low at TP23 1 = high at TP23	
	6	POL22_T2	1	logic level of T2 pulse at toggle point TP22 0 = low at TP22 1 = high at TP22	
	5	POL21_T2	1	logic level of T2 pulse at toggle point TP21 0 = low at TP21 1 = high at TP21	
	4	POL20_T2	1	logic level of T2 pulse at toggle point TP20 0 = low at TP20 1 = high at TP20	
	3	POL19_T2	1	logic level of T2 pulse at toggle point TP19 0 = low at TP19 1 = high at TP19	
	2	POL18_T2	1	logic level of T2 pulse at toggle point TP18 0 = low at TP18 1 = high at TP18	
	1	POL17_T2	1	logic level of T2 pulse at toggle point TP17 0 = low at TP17 1 = high at TP17	
	0	POL16_T2	1	logic level of T2 pulse at toggle point TP16 0 = low at TP16 1 = high at TP16	

**Register 0115h** Polarity setting of T2 3

REGISTER ADDRESS	BIT	LABEL	DEFAULT	DESCRIPTION	REFER TO
R278 (0116h) Polarity setting of T2 4	7	POL31_T2	1	logic level of T2 pulse at toggle point TP31 0 = low at TP31 1 = high at TP31	
	6	POL30_T2	1	logic level of T2 pulse at toggle point TP30 0 = low at TP30 1 = high at TP30	
	5	POL29_T2	1	logic level of T2 pulse at toggle point TP29 0 = low at TP29 1 = high at TP29	
	4	POL28_T2	1	logic level of T2 pulse at toggle point TP28 0 = low at TP28 1 = high at TP28	
	3	POL27_T2	1	logic level of T2 pulse at toggle point TP27 0 = low at TP27 1 = high at TP27	
	2	POL26_T2	1	logic level of T2 pulse at toggle point TP26 0 = low at TP26 1 = high at TP26	
	1	POL25_T2	1	logic level of T2 pulse at toggle point TP25 0 = low at TP25 1 = high at TP25	
	0	POL24_T2	1	logic level of T2 pulse at toggle point TP24 0 = low at TP24	

REGISTER ADDRESS	BIT	LABEL	DEFAULT	DESCRIPTION	REFER TO
				1 = high at TP24	

**Register 0116h** Polarity setting of T2 4

REGISTER ADDRESS	BIT	LABEL	DEFAULT	DESCRIPTION	REFER TO
R279 (0117h) Polarity setting of P0 1	7	POL7_PO0	0	logic level of PO0 pulse at toggle point TP7 0 = low at TP7 1 = high at TP7	
	6	POL6_PO0	0	logic level of PO0 pulse at toggle point TP6 0 = low at TP6 1 = high at TP6	
	5	POL5_PO0	0	logic level of PO0 pulse at toggle point TP5 0 = low at TP5 1 = high at TP5	
	4	POL4_PO0	0	logic level of PO0 pulse at toggle point TP4 0 = low at TP4 1 = high at TP4	
	3	POL3_PO0	0	logic level of PO0 pulse at toggle point TP3 0 = low at TP3 1 = high at TP3	
	2	POL2_PO0	0	logic level of PO0 pulse at toggle point TP2 0 = low at TP2 1 = high at TP2	
	1	POL1_PO0	0	logic level of PO0 pulse at toggle point TP1 0 = low at TP1 1 = high at TP1	
	0	POL0_PO0	0	logic level of PO0 pulse at toggle point TP0 0 = low at TP0 1 = high at TP0	

**Register 0117h** Polarity setting of P0 1

REGISTER ADDRESS	BIT	LABEL	DEFAULT	DESCRIPTION	REFER TO
R280 (0118h) Polarity setting of P0 2	7	POL15_PO0	0	logic level of PO0 pulse at toggle point TP15 0 = low at TP15 1 = high at TP15	
	6	POL14_PO0	0	logic level of PO0 pulse at toggle point TP14 0 = low at TP14 1 = high at TP14	
	5	POL13_PO0	0	logic level of PO0 pulse at toggle point TP13 0 = low at TP13 1 = high at TP13	
	4	POL12_PO0	0	logic level of PO0 pulse at toggle point TP12 0 = low at TP12 1 = high at TP12	
	3	POL11_PO0	0	logic level of PO0 pulse at toggle point TP11 0 = low at TP11 1 = high at TP11	
	2	POL10_PO0	0	logic level of PO0 pulse at toggle point TP10 0 = low at TP10	

REGISTER ADDRESS	BIT	LABEL	DEFAULT	DESCRIPTION	REFER TO
				1 = high at TP10	
	1	POL9_PO0	0	logic level of PO0 pulse at toggle point TP9 0 = low at TP9 1 = high at TP9	
	0	POL8_PO0	0	logic level of PO0 pulse at toggle point TP8 0 = low at TP8 1 = high at TP8	

**Register 0118h** Polarity setting of P0 2

REGISTER ADDRESS	BIT	LABEL	DEFAULT	DESCRIPTION	REFER TO
R281 (0119h) Polarity setting of P0 3	7	POL23_PO0	0	logic level of PO0 pulse at toggle point TP23 0 = low at TP23 1 = high at TP23	
	6	POL22_PO0	0	logic level of PO0 pulse at toggle point TP22 0 = low at TP22 1 = high at TP22	
	5	POL21_PO0	0	logic level of PO0 pulse at toggle point TP21 0 = low at TP21 1 = high at TP21	
	4	POL20_PO0	0	logic level of PO0 pulse at toggle point TP20 0 = low at TP20 1 = high at TP20	
	3	POL19_PO0	0	logic level of PO0 pulse at toggle point TP19 0 = low at TP19 1 = high at TP19	
	2	POL18_PO0	0	logic level of PO0 pulse at toggle point TP18 0 = low at TP18 1 = high at TP18	
	1	POL17_PO0	0	logic level of PO0 pulse at toggle point TP17 0 = low at TP17 1 = high at TP17	
	0	POL16_PO0	0	logic level of PO0 pulse at toggle point TP16 0 = low at TP16 1 = high at TP16	

**Register 0119h** Polarity setting of P0 3

REGISTER ADDRESS	BIT	LABEL	DEFAULT	DESCRIPTION	REFER TO
R282 (011Ah) Polarity setting of P0 4	7	POL31_PO0	0	logic level of PO0 pulse at toggle point TP31 0 = low at TP31 1 = high at TP31	
	6	POL30_PO0	0	logic level of PO0 pulse at toggle point TP30 0 = low at TP30 1 = high at TP30	
	5	POL29_PO0	0	logic level of PO0 pulse at toggle point TP29 0 = low at TP29 1 = high at TP29	
	4	POL28_PO0	0	logic level of PO0 pulse at toggle point TP28 0 = low at TP28	

REGISTER ADDRESS	BIT	LABEL	DEFAULT	DESCRIPTION	REFER TO
				1 = high at TP28	
	3	POL27_PO0	0	logic level of PO0 pulse at toggle point TP27 0 = low at TP27 1 = high at TP27	
	2	POL26_PO0	0	logic level of PO0 pulse at toggle point TP26 0 = low at TP26 1 = high at TP26	
	1	POL25_PO0	0	logic level of PO0 pulse at toggle point TP25 0 = low at TP25 1 = high at TP25	
	0	POL24_PO0	0	logic level of PO0 pulse at toggle point TP24 0 = low at TP24 1 = high at TP24	

**Register 011Ah** Polarity setting of P0 4

REGISTER ADDRESS	BIT	LABEL	DEFAULT	DESCRIPTION	REFER TO
R283 (011Bh) Polarity setting of P1 1	7	POL7_PO1	0	logic level of PO1 pulse at toggle point TP7 0 = low at TP7 1 = high at TP7	
	6	POL6_PO1	0	logic level of PO1 pulse at toggle point TP6 0 = low at TP6 1 = high at TP6	
	5	POL5_PO1	0	logic level of PO1 pulse at toggle point TP5 0 = low at TP5 1 = high at TP5	
	4	POL4_PO1	0	logic level of PO1 pulse at toggle point TP4 0 = low at TP4 1 = high at TP4	
	3	POL3_PO1	0	logic level of PO1 pulse at toggle point TP3 0 = low at TP3 1 = high at TP3	
	2	POL2_PO1	0	logic level of PO1 pulse at toggle point TP2 0 = low at TP2 1 = high at TP2	
	1	POL1_PO1	0	logic level of PO1 pulse at toggle point TP1 0 = low at TP1 1 = high at TP1	
	0	POL0_PO1	0	logic level of PO1 pulse at toggle point TP0 0 = low at TP0 1 = high at TP0	

**Register 011Bh** Polarity setting of P1 1

REGISTER ADDRESS	BIT	LABEL	DEFAULT	DESCRIPTION	REFER TO
R284 (011Ch) Polarity setting of P1 2	7	POL15_PO1	0	logic level of PO1 pulse at toggle point TP15 0 = low at TP15 1 = high at TP15	
	6	POL14_PO1	0	logic level of PO1 pulse at toggle point TP14 0 = low at TP14	

REGISTER ADDRESS	BIT	LABEL	DEFAULT	DESCRIPTION	REFER TO
				1 = high at TP14	
	5	POL13_PO1	0	logic level of PO1 pulse at toggle point TP13 0 = low at TP13 1 = high at TP13	
	4	POL12_PO1	0	logic level of PO1 pulse at toggle point TP12 0 = low at TP12 1 = high at TP12	
	3	POL11_PO1	0	logic level of PO1 pulse at toggle point TP11 0 = low at TP11 1 = high at TP11	
	2	POL10_PO1	0	logic level of PO1 pulse at toggle point TP10 0 = low at TP10 1 = high at TP10	
	1	POL9_PO1	0	logic level of PO1 pulse at toggle point TP9 0 = low at TP9 1 = high at TP9	
	0	POL8_PO1	0	logic level of PO1 pulse at toggle point TP8 0 = low at TP8 1 = high at TP8	

**Register 011Ch** Polarity setting of P1 2

REGISTER ADDRESS	BIT	LABEL	DEFAULT	DESCRIPTION	REFER TO
R285 (011Dh) Polarity setting of P1 3	7	POL23_PO1	0	logic level of PO1 pulse at toggle point TP23 0 = low at TP23 1 = high at TP23	
	6	POL22_PO1	0	logic level of PO1 pulse at toggle point TP22 0 = low at TP22 1 = high at TP22	
	5	POL21_PO1	0	logic level of PO1 pulse at toggle point TP21 0 = low at TP21 1 = high at TP21	
	4	POL20_PO1	0	logic level of PO1 pulse at toggle point TP20 0 = low at TP20 1 = high at TP20	
	3	POL19_PO1	0	logic level of PO1 pulse at toggle point TP19 0 = low at TP19 1 = high at TP19	
	2	POL18_PO1	0	logic level of PO1 pulse at toggle point TP18 0 = low at TP18 1 = high at TP18	
	1	POL17_PO1	0	logic level of PO1 pulse at toggle point TP17 0 = low at TP17 1 = high at TP17	
	0	POL16_PO1	0	logic level of PO1 pulse at toggle point TP16 0 = low at TP16 1 = high at TP16	

**Register 011Dh** Polarity setting of P1 3

REGISTER ADDRESS	BIT	LABEL	DEFAULT	DESCRIPTION	REFER TO
R286 (011Eh) Polarity setting of P1 4	7	POL31_PO1	0	logic level of PO1 pulse at toggle point TP31 0 = low at TP31 1 = high at TP31	
	6	POL30_PO1	0	logic level of PO1 pulse at toggle point TP30 0 = low at TP30 1 = high at TP30	
	5	POL29_PO1	0	logic level of PO1 pulse at toggle point TP29 0 = low at TP29 1 = high at TP29	
	4	POL28_PO1	0	logic level of PO1 pulse at toggle point TP28 0 = low at TP28 1 = high at TP28	
	3	POL27_PO1	0	logic level of PO1 pulse at toggle point TP27 0 = low at TP27 1 = high at TP27	
	2	POL26_PO1	0	logic level of PO1 pulse at toggle point TP26 0 = low at TP26 1 = high at TP26	
	1	POL25_PO1	0	logic level of PO1 pulse at toggle point TP25 0 = low at TP25 1 = high at TP25	
	0	POL24_PO1	0	logic level of PO1 pulse at toggle point TP24 0 = low at TP24 1 = high at TP24	

**Register 011Eh** Polarity setting of P1 4

REGISTER ADDRESS	BIT	LABEL	DEFAULT	DESCRIPTION	REFER TO
R287 (011Fh) Polarity setting of P2 1	7	POL7_PO2	0	logic level of PO2 pulse at toggle point TP7 0 = low at TP7 1 = high at TP7	
	6	POL6_PO2	0	logic level of PO2 pulse at toggle point TP6 0 = low at TP6 1 = high at TP6	
	5	POL5_PO2	0	logic level of PO2 pulse at toggle point TP5 0 = low at TP5 1 = high at TP5	
	4	POL4_PO2	0	logic level of PO2 pulse at toggle point TP4 0 = low at TP4 1 = high at TP4	
	3	POL3_PO2	0	logic level of PO2 pulse at toggle point TP3 0 = low at TP3 1 = high at TP3	
	2	POL2_PO2	0	logic level of PO2 pulse at toggle point TP2 0 = low at TP2 1 = high at TP2	
	1	POL1_PO2	0	logic level of PO2 pulse at toggle point TP1 0 = low at TP1 1 = high at TP1	
	0	POL0_PO2	0	logic level of PO2 pulse at toggle point TP0 0 = low at TP0	

REGISTER ADDRESS	BIT	LABEL	DEFAULT	DESCRIPTION	REFER TO
				1 = high at TP0	

**Register 011Fh** Polarity setting of P2 1

REGISTER ADDRESS	BIT	LABEL	DEFAULT	DESCRIPTION	REFER TO
R288 (0120h) Polarity setting of P2 2	7	POL15_PO2	0	logic level of PO2 pulse at toggle point TP15 0 = low at TP15 1 = high at TP15	
	6	POL14_PO2	0	logic level of PO2 pulse at toggle point TP14 0 = low at TP14 1 = high at TP14	
	5	POL13_PO2	0	logic level of PO2 pulse at toggle point TP13 0 = low at TP13 1 = high at TP13	
	4	POL12_PO2	0	logic level of PO2 pulse at toggle point TP12 0 = low at TP12 1 = high at TP12	
	3	POL11_PO2	0	logic level of PO2 pulse at toggle point TP11 0 = low at TP11 1 = high at TP11	
	2	POL10_PO2	0	logic level of PO2 pulse at toggle point TP10 0 = low at TP10 1 = high at TP10	
	1	POL9_PO2	0	logic level of PO2 pulse at toggle point TP9 0 = low at TP9 1 = high at TP9	
	0	POL8_PO2	0	logic level of PO2 pulse at toggle point TP8 0 = low at TP8 1 = high at TP8	

**Register 0120h** Polarity setting of P2 2

REGISTER ADDRESS	BIT	LABEL	DEFAULT	DESCRIPTION	REFER TO
R289 (0121h) Polarity setting of P2 3	7	POL23_PO2	0	logic level of PO2 pulse at toggle point TP23 0 = low at TP23 1 = high at TP23	
	6	POL22_PO2	0	logic level of PO2 pulse at toggle point TP22 0 = low at TP22 1 = high at TP22	
	5	POL21_PO2	0	logic level of PO2 pulse at toggle point TP21 0 = low at TP21 1 = high at TP21	
	4	POL20_PO2	0	logic level of PO2 pulse at toggle point TP20 0 = low at TP20 1 = high at TP20	
	3	POL19_PO2	0	logic level of PO2 pulse at toggle point TP19 0 = low at TP19 1 = high at TP19	
	2	POL18_PO2	0	logic level of PO2 pulse at toggle point TP18 0 = low at TP18	

REGISTER ADDRESS	BIT	LABEL	DEFAULT	DESCRIPTION	REFER TO
				1 = high at TP18	
	1	POL17_PO2	0	logic level of PO2 pulse at toggle point TP17 0 = low at TP17 1 = high at TP17	
	0	POL16_PO2	0	logic level of PO2 pulse at toggle point TP16 0 = low at TP16 1 = high at TP16	

**Register 0121h** Polarity setting of P2 3

REGISTER ADDRESS	BIT	LABEL	DEFAULT	DESCRIPTION	REFER TO
R290 (0122h) Polarity setting of P2 4	7	POL31_PO2	0	logic level of PO2 pulse at toggle point TP31 0 = low at TP31 1 = high at TP31	
	6	POL30_PO2	0	logic level of PO2 pulse at toggle point TP30 0 = low at TP30 1 = high at TP30	
	5	POL29_PO2	0	logic level of PO2 pulse at toggle point TP29 0 = low at TP29 1 = high at TP29	
	4	POL28_PO2	0	logic level of PO2 pulse at toggle point TP28 0 = low at TP28 1 = high at TP28	
	3	POL27_PO2	0	logic level of PO2 pulse at toggle point TP27 0 = low at TP27 1 = high at TP27	
	2	POL26_PO2	0	logic level of PO2 pulse at toggle point TP26 0 = low at TP26 1 = high at TP26	
	1	POL25_PO2	0	logic level of PO2 pulse at toggle point TP25 0 = low at TP25 1 = high at TP25	
	0	POL24_PO2	0	logic level of PO2 pulse at toggle point TP24 0 = low at TP24 1 = high at TP24	

**Register 0122h** Polarity setting of P2 4

REGISTER ADDRESS	BIT	LABEL	DEFAULT	DESCRIPTION	REFER TO
R291 (0123h) Polarity setting of P3 1	7	POL7_PO3	0	logic level of PO3 pulse at toggle point TP7 0 = low at TP7 1 = high at TP7	
	6	POL6_PO3	0	logic level of PO3 pulse at toggle point TP6 0 = low at TP6 1 = high at TP6	
	5	POL5_PO3	0	logic level of PO3 pulse at toggle point TP5 0 = low at TP5 1 = high at TP5	
	4	POL4_PO3	0	logic level of PO3 pulse at toggle point TP4 0 = low at TP4 1 = high at TP4	



REGISTER ADDRESS	BIT	LABEL	DEFAULT	DESCRIPTION	REFER TO
	3	POL3_PO3	0	logic level of PO3 pulse at toggle point TP3 0 = low at TP3 1 = high at TP3	
	2	POL2_PO3	0	logic level of PO3 pulse at toggle point TP2 0 = low at TP2 1 = high at TP2	
	1	POL1_PO3	0	logic level of PO3 pulse at toggle point TP1 0 = low at TP1 1 = high at TP1	
	0	POL0_PO3	0	logic level of PO3 pulse at toggle point TP0 0 = low at TP0 1 = high at TP0	

**Register 0123h** Polarity setting of P3 1

REGISTER ADDRESS	BIT	LABEL	DEFAULT	DESCRIPTION	REFER TO
R292 (0124h) Polarity setting of P3 2	7	POL15_PO3	0	logic level of PO3 pulse at toggle point TP15 0 = low at TP15 1 = high at TP15	
	6	POL14_PO3	0	logic level of PO3 pulse at toggle point TP14 0 = low at TP14 1 = high at TP14	
	5	POL13_PO3	0	logic level of PO3 pulse at toggle point TP13 0 = low at TP13 1 = high at TP13	
	4	POL12_PO3	0	logic level of PO3 pulse at toggle point TP12 0 = low at TP12 1 = high at TP12	
	3	POL11_PO3	0	logic level of PO3 pulse at toggle point TP11 0 = low at TP11 1 = high at TP11	
	2	POL10_PO3	0	logic level of PO3 pulse at toggle point TP10 0 = low at TP10 1 = high at TP10	
	1	POL9_PO3	0	logic level of PO3 pulse at toggle point TP9 0 = low at TP9 1 = high at TP9	
	0	POL8_PO3	0	logic level of PO3 pulse at toggle point TP8 0 = low at TP8 1 = high at TP8	

**Register 0124h** Polarity setting of P3 2

REGISTER ADDRESS	BIT	LABEL	DEFAULT	DESCRIPTION	REFER TO
R293 (0125h) Polarity setting of P3 3	7	POL23_PO3	0	logic level of PO3 pulse at toggle point TP23 0 = low at TP23 1 = high at TP23	
	6	POL22_PO3	0	logic level of PO3 pulse at toggle point TP22 0 = low at TP22	

REGISTER ADDRESS	BIT	LABEL	DEFAULT	DESCRIPTION	REFER TO
				1 = high at TP22	
	5	POL21_PO3	0	logic level of PO3 pulse at toggle point TP21 0 = low at TP21 1 = high at TP21	
	4	POL20_PO3	0	logic level of PO3 pulse at toggle point TP20 0 = low at TP20 1 = high at TP20	
	3	POL19_PO3	0	logic level of PO3 pulse at toggle point TP19 0 = low at TP19 1 = high at TP19	
	2	POL18_PO3	0	logic level of PO3 pulse at toggle point TP18 0 = low at TP18 1 = high at TP18	
	1	POL17_PO3	0	logic level of PO3 pulse at toggle point TP17 0 = low at TP17 1 = high at TP17	
	0	POL16_PO3	0	logic level of PO3 pulse at toggle point TP16 0 = low at TP16 1 = high at TP16	

**Register 0125h** Polarity setting of P3 3

REGISTER ADDRESS	BIT	LABEL	DEFAULT	DESCRIPTION	REFER TO
R294 (0126h) Polarity setting of P3 4	7	POL31_PO3	0	logic level of PO3 pulse at toggle point TP31 0 = low at TP31 1 = high at TP31	
	6	POL30_PO3	0	logic level of PO3 pulse at toggle point TP30 0 = low at TP30 1 = high at TP30	
	5	POL29_PO3	0	logic level of PO3 pulse at toggle point TP29 0 = low at TP29 1 = high at TP29	
	4	POL28_PO3	0	logic level of PO3 pulse at toggle point TP28 0 = low at TP28 1 = high at TP28	
	3	POL27_PO3	0	logic level of PO3 pulse at toggle point TP27 0 = low at TP27 1 = high at TP27	
	2	POL26_PO3	0	logic level of PO3 pulse at toggle point TP26 0 = low at TP26 1 = high at TP26	
	1	POL25_PO3	0	logic level of PO3 pulse at toggle point TP25 0 = low at TP25 1 = high at TP25	
	0	POL24_PO3	0	logic level of PO3 pulse at toggle point TP24 0 = low at TP24 1 = high at TP24	

**Register 0126h** Polarity setting of P3 4

REGISTER ADDRESS	BIT	LABEL	DEFAULT	DESCRIPTION	REFER TO
R295 (0127h) Polarity setting of P4 1	7	POL7_PO4	0	logic level of PO4 pulse at toggle point TP7 0 = low at TP7 1 = high at TP7	
	6	POL6_PO4	0	logic level of PO4 pulse at toggle point TP6 0 = low at TP6 1 = high at TP6	
	5	POL5_PO4	0	logic level of PO4 pulse at toggle point TP5 0 = low at TP5 1 = high at TP5	
	4	POL4_PO4	0	logic level of PO4 pulse at toggle point TP4 0 = low at TP4 1 = high at TP4	
	3	POL3_PO4	0	logic level of PO4 pulse at toggle point TP3 0 = low at TP3 1 = high at TP3	
	2	POL2_PO4	0	logic level of PO4 pulse at toggle point TP2 0 = low at TP2 1 = high at TP2	
	1	POL1_PO4	0	logic level of PO4 pulse at toggle point TP1 0 = low at TP1 1 = high at TP1	
	0	POL0_PO4	0	logic level of PO4 pulse at toggle point TP0 0 = low at TP0 1 = high at TP0	

**Register 0127h** Polarity setting of P4 1

REGISTER ADDRESS	BIT	LABEL	DEFAULT	DESCRIPTION	REFER TO
R296 (0128h) Polarity setting of P4 2	7	POL15_PO4	0	logic level of PO4 pulse at toggle point TP15 0 = low at TP15 1 = high at TP15	
	6	POL14_PO4	0	logic level of PO4 pulse at toggle point TP14 0 = low at TP14 1 = high at TP14	
	5	POL13_PO4	0	logic level of PO4 pulse at toggle point TP13 0 = low at TP13 1 = high at TP13	
	4	POL12_PO4	0	logic level of PO4 pulse at toggle point TP12 0 = low at TP12 1 = high at TP12	
	3	POL11_PO4	0	logic level of PO4 pulse at toggle point TP11 0 = low at TP11 1 = high at TP11	
	2	POL10_PO4	0	logic level of PO4 pulse at toggle point TP10 0 = low at TP10 1 = high at TP10	
	1	POL9_PO4	0	logic level of PO4 pulse at toggle point TP9 0 = low at TP9 1 = high at TP9	
	0	POL8_PO4	0	logic level of PO4 pulse at toggle point TP8 0 = low at TP8	

REGISTER ADDRESS	BIT	LABEL	DEFAULT	DESCRIPTION	REFER TO
				1 = high at TP8	

**Register 0128h** Polarity setting of P4 2

REGISTER ADDRESS	BIT	LABEL	DEFAULT	DESCRIPTION	REFER TO
R297 (0129h) Polarity setting of P4 3	7	POL23_PO4	0	logic level of PO4 pulse at toggle point TP23 0 = low at TP23 1 = high at TP23	
	6	POL22_PO4	0	logic level of PO4 pulse at toggle point TP22 0 = low at TP22 1 = high at TP22	
	5	POL21_PO4	0	logic level of PO4 pulse at toggle point TP21 0 = low at TP21 1 = high at TP21	
	4	POL20_PO4	0	logic level of PO4 pulse at toggle point TP20 0 = low at TP20 1 = high at TP20	
	3	POL19_PO4	0	logic level of PO4 pulse at toggle point TP19 0 = low at TP19 1 = high at TP19	
	2	POL18_PO4	0	logic level of PO4 pulse at toggle point TP18 0 = low at TP18 1 = high at TP18	
	1	POL17_PO4	0	logic level of PO4 pulse at toggle point TP17 0 = low at TP17 1 = high at TP17	
	0	POL16_PO4	0	logic level of PO4 pulse at toggle point TP16 0 = low at TP16 1 = high at TP16	

**Register 0129h** Polarity setting of P4 3

REGISTER ADDRESS	BIT	LABEL	DEFAULT	DESCRIPTION	REFER TO
R298 (012Ah) Polarity setting of P4 4	7	POL31_PO4	0	logic level of PO4 pulse at toggle point TP31 0 = low at TP31 1 = high at TP31	
	6	POL30_PO4	0	logic level of PO4 pulse at toggle point TP30 0 = low at TP30 1 = high at TP30	
	5	POL29_PO4	0	logic level of PO4 pulse at toggle point TP29 0 = low at TP29 1 = high at TP29	
	4	POL28_PO4	0	logic level of PO4 pulse at toggle point TP28 0 = low at TP28 1 = high at TP28	
	3	POL27_PO4	0	logic level of PO4 pulse at toggle point TP27 0 = low at TP27 1 = high at TP27	
	2	POL26_PO4	0	logic level of PO4 pulse at toggle point TP26 0 = low at TP26	

REGISTER ADDRESS	BIT	LABEL	DEFAULT	DESCRIPTION	REFER TO
				1 = high at TP26	
	1	POL25_PO4	0	logic level of PO4 pulse at toggle point TP25 0 = low at TP25 1 = high at TP25	
	0	POL24_PO4	0	logic level of PO4 pulse at toggle point TP24 0 = low at TP24 1 = high at TP24	

**Register 012Ah** Polarity setting of P4 4

REGISTER ADDRESS	BIT	LABEL	DEFAULT	DESCRIPTION	REFER TO
R299 (012Bh) Polarity setting of P5 1	7	POL7_PO5	0	logic level of PO5 pulse at toggle point TP7 0 = low at TP7 1 = high at TP7	
	6	POL6_PO5	0	logic level of PO5 pulse at toggle point TP6 0 = low at TP6 1 = high at TP6	
	5	POL5_PO5	0	logic level of PO5 pulse at toggle point TP5 0 = low at TP5 1 = high at TP5	
	4	POL4_PO5	0	logic level of PO5 pulse at toggle point TP4 0 = low at TP4 1 = high at TP4	
	3	POL3_PO5	0	logic level of PO5 pulse at toggle point TP3 0 = low at TP3 1 = high at TP3	
	2	POL2_PO5	0	logic level of PO5 pulse at toggle point TP2 0 = low at TP2 1 = high at TP2	
	1	POL1_PO5	0	logic level of PO5 pulse at toggle point TP1 0 = low at TP1 1 = high at TP1	
	0	POL0_PO5	0	logic level of PO5 pulse at toggle point TP0 0 = low at TP0 1 = high at TP0	

**Register 012Bh** Polarity setting of P5 1

REGISTER ADDRESS	BIT	LABEL	DEFAULT	DESCRIPTION	REFER TO
R300 (012Ch) Polarity setting of P5 2	7	POL15_PO5	0	logic level of PO5 pulse at toggle point TP15 0 = low at TP15 1 = high at TP15	
	6	POL14_PO5	0	logic level of PO5 pulse at toggle point TP14 0 = low at TP14 1 = high at TP14	
	5	POL13_PO5	0	logic level of PO5 pulse at toggle point TP13 0 = low at TP13 1 = high at TP13	
	4	POL12_PO5	0	logic level of PO5 pulse at toggle point TP12 0 = low at TP12	

REGISTER ADDRESS	BIT	LABEL	DEFAULT	DESCRIPTION	REFER TO
				1 = high at TP12	
	3	POL11_PO5	0	logic level of PO5 pulse at toggle point TP11 0 = low at TP11 1 = high at TP11	
	2	POL10_PO5	0	logic level of PO5 pulse at toggle point TP10 0 = low at TP10 1 = high at TP10	
	1	POL9_PO5	0	logic level of PO5 pulse at toggle point TP9 0 = low at TP9 1 = high at TP9	
	0	POL8_PO5	0	logic level of PO5 pulse at toggle point TP8 0 = low at TP8 1 = high at TP8	

**Register 012Ch** Polarity setting of P5 2

REGISTER ADDRESS	BIT	LABEL	DEFAULT	DESCRIPTION	REFER TO
R301 (012Dh) Polarity setting of P5 3	7	POL23_PO5	0	logic level of PO5 pulse at toggle point TP23 0 = low at TP23 1 = high at TP23	
	6	POL22_PO5	0	logic level of PO5 pulse at toggle point TP22 0 = low at TP22 1 = high at TP22	
	5	POL21_PO5	0	logic level of PO5 pulse at toggle point TP21 0 = low at TP21 1 = high at TP21	
	4	POL20_PO5	0	logic level of PO5 pulse at toggle point TP20 0 = low at TP20 1 = high at TP20	
	3	POL19_PO5	0	logic level of PO5 pulse at toggle point TP19 0 = low at TP19 1 = high at TP19	
	2	POL18_PO5	0	logic level of PO5 pulse at toggle point TP18 0 = low at TP18 1 = high at TP18	
	1	POL17_PO5	0	logic level of PO5 pulse at toggle point TP17 0 = low at TP17 1 = high at TP17	
	0	POL16_PO5	0	logic level of PO5 pulse at toggle point TP16 0 = low at TP16 1 = high at TP16	

**Register 012Dh** Polarity setting of P5 3

REGISTER ADDRESS	BIT	LABEL	DEFAULT	DESCRIPTION	REFER TO
R302 (012Eh) Polarity setting of P5 4	7	POL31_PO5	0	logic level of PO5 pulse at toggle point TP31 0 = low at TP31 1 = high at TP31	
	6	POL30_PO5	0	logic level of PO5 pulse at toggle point TP30 0 = low at TP30	

REGISTER ADDRESS	BIT	LABEL	DEFAULT	DESCRIPTION	REFER TO
				1 = high at TP30	
	5	POL29_PO5	0	logic level of PO5 pulse at toggle point TP29 0 = low at TP29 1 = high at TP29	
	4	POL28_PO5	0	logic level of PO5 pulse at toggle point TP28 0 = low at TP28 1 = high at TP28	
	3	POL27_PO5	0	logic level of PO5 pulse at toggle point TP27 0 = low at TP27 1 = high at TP27	
	2	POL26_PO5	0	logic level of PO5 pulse at toggle point TP26 0 = low at TP26 1 = high at TP26	
	1	POL25_PO5	0	logic level of PO5 pulse at toggle point TP25 0 = low at TP25 1 = high at TP25	
	0	POL24_PO5	0	logic level of PO5 pulse at toggle point TP24 0 = low at TP24 1 = high at TP24	

**Register 012Eh** Polarity setting of P5 4

REGISTER ADDRESS	BIT	LABEL	DEFAULT	DESCRIPTION	REFER TO
R303 (012Fh) Polarity setting of P6 1	7	POL7_PO6	0	logic level of PO6 pulse at toggle point TP7 0 = low at TP7 1 = high at TP7	
	6	POL6_PO6	0	logic level of PO6 pulse at toggle point TP6 0 = low at TP6 1 = high at TP6	
	5	POL5_PO6	0	logic level of PO6 pulse at toggle point TP5 0 = low at TP5 1 = high at TP5	
	4	POL4_PO6	0	logic level of PO6 pulse at toggle point TP4 0 = low at TP4 1 = high at TP4	
	3	POL3_PO6	0	logic level of PO6 pulse at toggle point TP3 0 = low at TP3 1 = high at TP3	
	2	POL2_PO6	0	logic level of PO6 pulse at toggle point TP2 0 = low at TP2 1 = high at TP2	
	1	POL1_PO6	0	logic level of PO6 pulse at toggle point TP1 0 = low at TP1 1 = high at TP1	
	0	POL0_PO6	0	logic level of PO6 pulse at toggle point TP0 0 = low at TP0 1 = high at TP0	

**Register 012Fh** Polarity setting of P6 1

REGISTER ADDRESS	BIT	LABEL	DEFAULT	DESCRIPTION	REFER TO
R304 (0130h) Polarity setting of P6 2	7	POL15_PO6	0	logic level of PO6 pulse at toggle point TP15 0 = low at TP15 1 = high at TP15	
	6	POL14_PO6	0	logic level of PO6 pulse at toggle point TP14 0 = low at TP14 1 = high at TP14	
	5	POL13_PO6	0	logic level of PO6 pulse at toggle point TP13 0 = low at TP13 1 = high at TP13	
	4	POL12_PO6	0	logic level of PO6 pulse at toggle point TP12 0 = low at TP12 1 = high at TP12	
	3	POL11_PO6	0	logic level of PO6 pulse at toggle point TP11 0 = low at TP11 1 = high at TP11	
	2	POL10_PO6	0	logic level of PO6 pulse at toggle point TP10 0 = low at TP10 1 = high at TP10	
	1	POL9_PO6	0	logic level of PO6 pulse at toggle point TP9 0 = low at TP9 1 = high at TP9	
	0	POL8_PO6	0	logic level of PO6 pulse at toggle point TP8 0 = low at TP8 1 = high at TP8	

**Register 0130h** Polarity setting of P6 2

REGISTER ADDRESS	BIT	LABEL	DEFAULT	DESCRIPTION	REFER TO
R305 (0131h) Polarity setting of P6 3	7	POL23_PO6	0	logic level of PO6 pulse at toggle point TP23 0 = low at TP23 1 = high at TP23	
	6	POL22_PO6	0	logic level of PO6 pulse at toggle point TP22 0 = low at TP22 1 = high at TP22	
	5	POL21_PO6	0	logic level of PO6 pulse at toggle point TP21 0 = low at TP21 1 = high at TP21	
	4	POL20_PO6	0	logic level of PO6 pulse at toggle point TP20 0 = low at TP20 1 = high at TP20	
	3	POL19_PO6	0	logic level of PO6 pulse at toggle point TP19 0 = low at TP19 1 = high at TP19	
	2	POL18_PO6	0	logic level of PO6 pulse at toggle point TP18 0 = low at TP18 1 = high at TP18	
	1	POL17_PO6	0	logic level of PO6 pulse at toggle point TP17 0 = low at TP17 1 = high at TP17	
	0	POL16_PO6	0	logic level of PO6 pulse at toggle point TP16 0 = low at TP16 1 = high at TP16	



**Register 0131h** Polarity setting of P6 3

REGISTER ADDRESS	BIT	LABEL	DEFAULT	DESCRIPTION	REFER TO
R306 (0132h) Polarity setting of P6 4	7	POL31_PO6	0	logic level of PO6 pulse at toggle point TP31 0 = low at TP31 1 = high at TP31	
	6	POL30_PO6	0	logic level of PO6 pulse at toggle point TP30 0 = low at TP30 1 = high at TP30	
	5	POL29_PO6	0	logic level of PO6 pulse at toggle point TP29 0 = low at TP29 1 = high at TP29	
	4	POL28_PO6	0	logic level of PO6 pulse at toggle point TP28 0 = low at TP28 1 = high at TP28	
	3	POL27_PO6	0	logic level of PO6 pulse at toggle point TP27 0 = low at TP27 1 = high at TP27	
	2	POL26_PO6	0	logic level of PO6 pulse at toggle point TP26 0 = low at TP26 1 = high at TP26	
	1	POL25_PO6	0	logic level of PO6 pulse at toggle point TP25 0 = low at TP25 1 = high at TP25	
	0	POL24_PO6	0	logic level of PO6 pulse at toggle point TP24 0 = low at TP24 1 = high at TP24	

**Register 0132h** Polarity setting of P6 4

REGISTER ADDRESS	BIT	LABEL	DEFAULT	DESCRIPTION	REFER TO
R307 (0133h) Polarity setting of P7 1	7	POL7_PO7	0	logic level of PO7 pulse at toggle point TP7 0 = low at TP7 1 = high at TP7	
	6	POL6_PO7	0	logic level of PO7 pulse at toggle point TP6 0 = low at TP6 1 = high at TP6	
	5	POL5_PO7	0	logic level of PO7 pulse at toggle point TP5 0 = low at TP5 1 = high at TP5	
	4	POL4_PO7	0	logic level of PO7 pulse at toggle point TP4 0 = low at TP4 1 = high at TP4	
	3	POL3_PO7	0	logic level of PO7 pulse at toggle point TP3 0 = low at TP3 1 = high at TP3	
	2	POL2_PO7	0	logic level of PO7 pulse at toggle point TP2 0 = low at TP2 1 = high at TP2	
	1	POL1_PO7	0	logic level of PO7 pulse at toggle point TP1 0 = low at TP1	

REGISTER ADDRESS	BIT	LABEL	DEFAULT	DESCRIPTION	REFER TO
				1 = high at TP1	
	0	POL0_PO7	0	logic level of PO7 pulse at toggle point TP0 0 = low at TP0 1 = high at TP0	

**Register 0133h** Polarity setting of P7 1

REGISTER ADDRESS	BIT	LABEL	DEFAULT	DESCRIPTION	REFER TO
R308 (0134h) Polarity setting of P7 2	7	POL15_PO7	0	logic level of PO7 pulse at toggle point TP15 0 = low at TP15 1 = high at TP15	
	6	POL14_PO7	0	logic level of PO7 pulse at toggle point TP14 0 = low at TP14 1 = high at TP14	
	5	POL13_PO7	0	logic level of PO7 pulse at toggle point TP13 0 = low at TP13 1 = high at TP13	
	4	POL12_PO7	0	logic level of PO7 pulse at toggle point TP12 0 = low at TP12 1 = high at TP12	
	3	POL11_PO7	0	logic level of PO7 pulse at toggle point TP11 0 = low at TP11 1 = high at TP11	
	2	POL10_PO7	0	logic level of PO7 pulse at toggle point TP10 0 = low at TP10 1 = high at TP10	
	1	POL9_PO7	0	logic level of PO7 pulse at toggle point TP9 0 = low at TP9 1 = high at TP9	
	0	POL8_PO7	0	logic level of PO7 pulse at toggle point TP8 0 = low at TP8 1 = high at TP8	

**Register 0134h** Polarity setting of P7 2

REGISTER ADDRESS	BIT	LABEL	DEFAULT	DESCRIPTION	REFER TO
R309 (0135h) Polarity setting of P7 3	7	POL23_PO7	0	logic level of PO7 pulse at toggle point TP23 0 = low at TP23 1 = high at TP23	
	6	POL22_PO7	0	logic level of PO7 pulse at toggle point TP22 0 = low at TP22 1 = high at TP22	
	5	POL21_PO7	0	logic level of PO7 pulse at toggle point TP21 0 = low at TP21 1 = high at TP21	
	4	POL20_PO7	0	logic level of PO7 pulse at toggle point TP20 0 = low at TP20 1 = high at TP20	
	3	POL19_PO7	0	logic level of PO7 pulse at toggle point TP19 0 = low at TP19	

REGISTER ADDRESS	BIT	LABEL	DEFAULT	DESCRIPTION	REFER TO
				1 = high at TP19	
	2	POL18_PO7	0	logic level of PO7 pulse at toggle point TP18 0 = low at TP18 1 = high at TP18	
	1	POL17_PO7	0	logic level of PO7 pulse at toggle point TP17 0 = low at TP17 1 = high at TP17	
	0	POL16_PO7	0	logic level of PO7 pulse at toggle point TP16 0 = low at TP16 1 = high at TP16	

**Register 0135h** Polarity setting of P7 3

REGISTER ADDRESS	BIT	LABEL	DEFAULT	DESCRIPTION	REFER TO
R310 (0136h) Polarity setting of P7 4	7	POL31_PO7	0	logic level of PO7 pulse at toggle point TP31 0 = low at TP31 1 = high at TP31	
	6	POL30_PO7	0	logic level of PO7 pulse at toggle point TP30 0 = low at TP30 1 = high at TP30	
	5	POL29_PO7	0	logic level of PO7 pulse at toggle point TP29 0 = low at TP29 1 = high at TP29	
	4	POL28_PO7	0	logic level of PO7 pulse at toggle point TP28 0 = low at TP28 1 = high at TP28	
	3	POL27_PO7	0	logic level of PO7 pulse at toggle point TP27 0 = low at TP27 1 = high at TP27	
	2	POL26_PO7	0	logic level of PO7 pulse at toggle point TP26 0 = low at TP26 1 = high at TP26	
	1	POL25_PO7	0	logic level of PO7 pulse at toggle point TP25 0 = low at TP25 1 = high at TP25	
	0	POL24_PO7	0	logic level of PO7 pulse at toggle point TP24 0 = low at TP24 1 = high at TP24	

**Register 0136h** Polarity setting of P7 4

REGISTER ADDRESS	BIT	LABEL	DEFAULT	DESCRIPTION	REFER TO
R432 (1B0h) User access control	0	USER_KEY	0	0 = User access disabled 1 = User access enabled	

**Register 01B0h** User access control

REGISTER ADDRESS	BIT	LABEL	DEFAULT	DESCRIPTION	REFER TO
------------------	-----	-------	---------	-------------	----------

REGISTER ADDRESS	BIT	LABEL	DEFAULT	DESCRIPTION	REFER TO
R436 (1B4h) LDO2 control	4:0	LDO2 VSEL	1_0000	1_0000 = 1.8V 1_0010 = 2.0V	

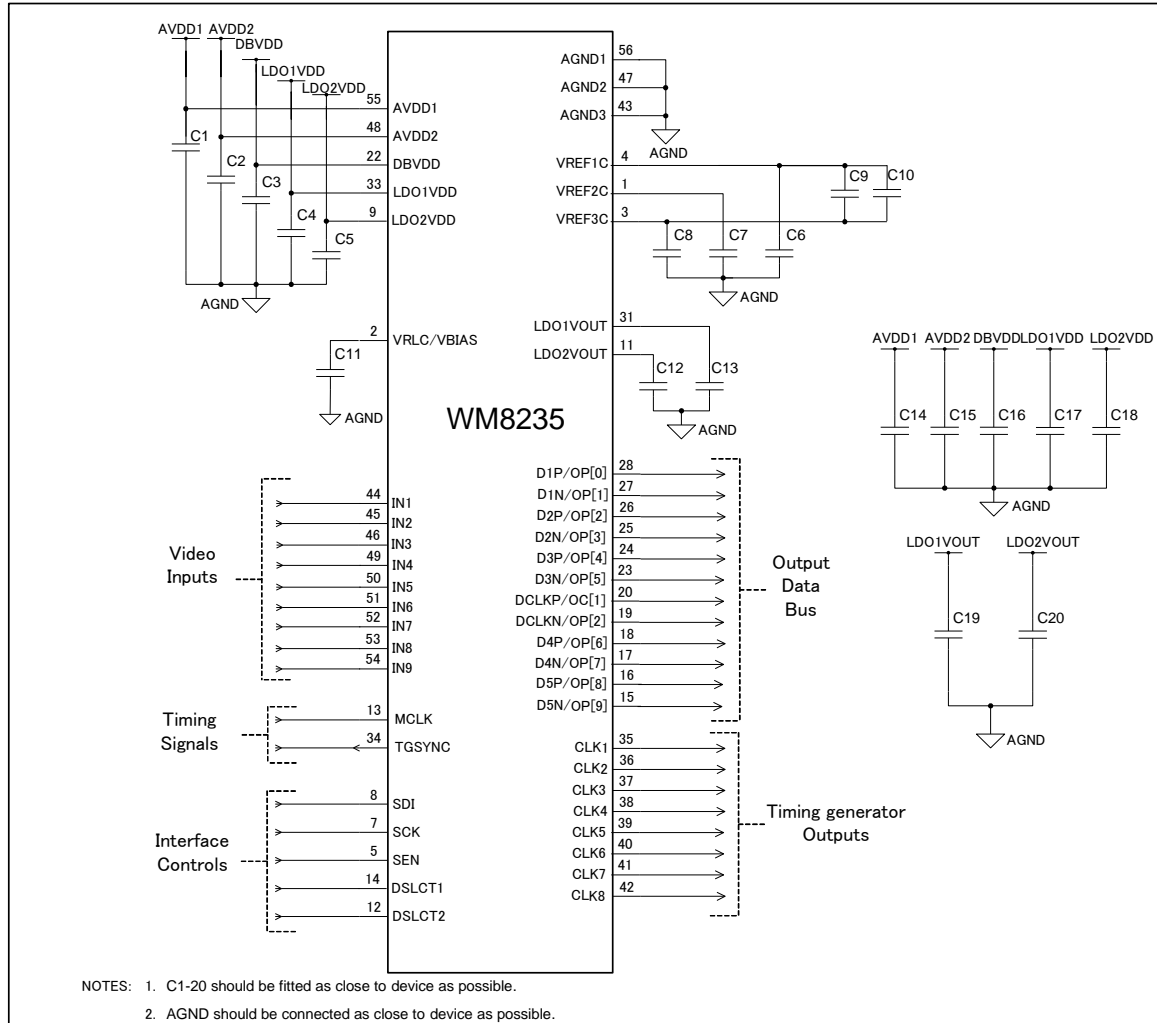
**Register 01B4h** LDO2 control

REGISTER ADDRESS	BIT	LABEL	DEFAULT	DESCRIPTION	REFER TO
R448 (1C0h) User access control2	0	User_KEY2	0	0 = User access2 disabled 1 = User access2 enabled	

**Register 1C0h** User access control2

REGISTER ADDRESS	BIT	LABEL	DEFAULT	DESCRIPTION	REFER TO
R459 (1CBh) Comp control	1:0	PT_COMP	01	01 = Standard operation 11 = High performance operation Other = Inhibit.	

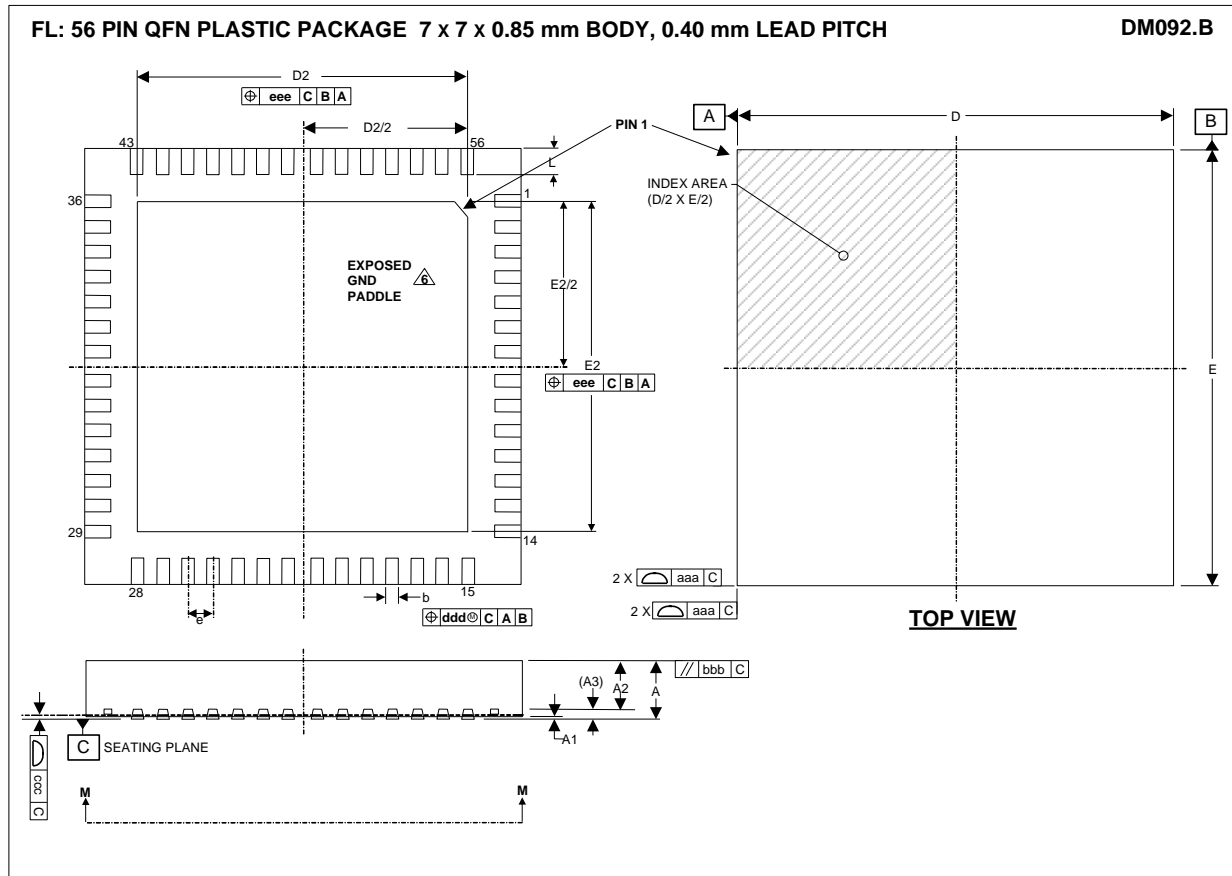
**Register 1CBh** Comp control

**APPLICATIONS INFORMATION**
**RECOMMENDED EXTERNAL COMPONENTS**

**Figure 53 External Components Diagram**

**RECOMMENDED EXTERNAL COMPONENT VALUES**

COMPONENT REFERENCE	SUGGESTED VALUE	DESCRIPTION
C1	0.1uF	De-coupling for AVDD1
C2	0.1uF	De-coupling for AVDD2
C3	0.1uF	De-coupling for DBVDD
C4	0.1uF	De-coupling for LDO1VDD
C5	0.1uF	De-coupling for LDO2VDD
C6	0.1uF	De-coupling for VREF1C
C7	0.1uF	De-coupling for VREF2C
C8	0.1uF	De-coupling for VREF3C
C9	0.01uF	High frequency decoupling between VREF1C and VREF3C
C10	10uF	Low frequency decoupling between VREF1C and VREF3C
C11	1uF	De-coupling for VRLC/VBIAS
C12	1uF	De-coupling for LDO1VOUT
C13	1uF	De-coupling for LDO2VOUT
C14	10uF	Reservoir capacitor for AVDD1
C15	10uF	Reservoir capacitor for AVDD2
C16	10uF	Reservoir capacitor for DBVDD
C17	10uF	Reservoir capacitor for LDO1VDD
C18	10uF	Reservoir capacitor for LDO2VDD
C19	10uF	Reservoir capacitor for LDOOUT
C20	10uF	Reservoir capacitor for LDOOUT

**Table 16 External Components Descriptions**

**PACKAGE DIMENSIONS**


Symbols	Dimensions (mm)			NOTE
	MIN	NOM	MAX	
A	0.8	0.85	0.9	
A1	0	0.035	0.05	
A2	-	0.65	0.67	
A3		0.203 REF		
b	0.15	0.2	0.25	1
D		7.00 BSC		
D2	5.10	5.20	5.30	
E		7.00 BSC		
E2	5.10	5.20	5.30	
e		0.4 BSC		
L	0.35	0.4	0.45	
<b>Tolerances of Form and Position</b>				
aaa		0.10		
bbb		0.10		
ccc		0.08		
ddd		0.10		
eee		0.10		
REF	JEDEC, MO-220, VARIATION VKKE			

- NOTES:**
- DIMENSION b APPLIED TO METALLIZED TERMINAL AND IS MEASURED BETWEEN 0.15 mm AND 0.30 mm FROM TERMINAL TIP.
  - ALL DIMENSIONS ARE IN MILLIMETRES
  - THE TERMINAL #1 IDENTIFIER AND TERMINAL NUMBERING CONVENTION SHALL CONFORM TO JESD 95-1 SPP-002.
  - COPLANARITY APPLIES TO THE EXPOSED HEAT SINK SLUG AS WELL AS THE TERMINALS.
  - THIS DRAWING IS SUBJECT TO CHANGE WITHOUT NOTICE.
  - REFER TO APPLICATIONS NOTE WAN\_0118 FOR FURTHER INFORMATION.

---

**IMPORTANT NOTICE**

---

**Contacting Cirrus Logic Support**

For all product questions and inquiries, contact a Cirrus Logic Sales Representative.

To find one nearest you, go to [www.cirrus.com](http://www.cirrus.com).

---

The products and services of Cirrus Logic International (UK) Limited; Cirrus Logic, Inc.; and other companies in the Cirrus Logic group (collectively either "Cirrus Logic" or "Cirrus") are sold subject to Cirrus Logic's terms and conditions of sale supplied at the time of order acknowledgment, including those pertaining to warranty, indemnification, and limitation of liability. Software is provided pursuant to applicable license terms. Cirrus Logic reserves the right to make changes to its products and specifications or to discontinue any product or service without notice. Customers should therefore obtain the latest version of relevant information from Cirrus Logic to verify that the information is current and complete. Testing and other quality control techniques are utilized to the extent Cirrus Logic deems necessary. Specific testing of all parameters of each device is not necessarily performed. In order to minimize risks associated with customer applications, the customer must use adequate design and operating safeguards to minimize inherent or procedural hazards. Cirrus Logic is not liable for applications assistance or customer product design. The customer is solely responsible for its selection and use of Cirrus Logic products. Use of Cirrus Logic products may entail a choice between many different modes of operation, some or all of which may require action by the user, and some or all of which may be optional. Nothing in these materials should be interpreted as instructions or suggestions to choose one mode over another. Likewise, description of a single mode should not be interpreted as a suggestion that other modes should not be used or that they would not be suitable for operation. Features and operations described herein are for illustrative purposes only.

CERTAIN APPLICATIONS USING SEMICONDUCTOR PRODUCTS MAY INVOLVE POTENTIAL RISKS OF DEATH, PERSONAL INJURY, OR SEVERE PROPERTY OR ENVIRONMENTAL DAMAGE ("CRITICAL APPLICATIONS"). CIRRUS LOGIC PRODUCTS ARE NOT DESIGNED, AUTHORIZED OR WARRANTED FOR USE IN PRODUCTS SURGICALLY IMPLANTED INTO THE BODY, AUTOMOTIVE SAFETY OR SECURITY DEVICES, NUCLEAR SYSTEMS, LIFE SUPPORT PRODUCTS OR OTHER CRITICAL APPLICATIONS. INCLUSION OF CIRRUS LOGIC PRODUCTS IN SUCH APPLICATIONS IS UNDERSTOOD TO BE FULLY AT THE CUSTOMER'S RISK AND CIRRUS LOGIC DISCLAIMS AND MAKES NO WARRANTY, EXPRESS, STATUTORY OR IMPLIED, INCLUDING THE IMPLIED WARRANTIES OF MERCHANTABILITY AND FITNESS FOR PARTICULAR PURPOSE, WITH REGARD TO ANY CIRRUS LOGIC PRODUCT THAT IS USED IN SUCH A MANNER. IF THE CUSTOMER OR CUSTOMER'S CUSTOMER USES OR PERMITS THE USE OF CIRRUS LOGIC PRODUCTS IN CRITICAL APPLICATIONS, CUSTOMER AGREES, BY SUCH USE, TO FULLY INDEMNIFY CIRRUS LOGIC, ITS OFFICERS, DIRECTORS, EMPLOYEES, DISTRIBUTORS AND OTHER AGENTS FROM ANY AND ALL LIABILITY, INCLUDING ATTORNEYS' FEES AND COSTS, THAT MAY RESULT FROM OR ARISE IN CONNECTION WITH THESE USES.

This document is the property of Cirrus Logic and by furnishing this information, Cirrus Logic grants no license, express or implied, under any patents, mask work rights, copyrights, trademarks, trade secrets or other intellectual property rights. Any provision or publication of any third party's products or services does not constitute Cirrus Logic's approval, license, warranty or endorsement thereof. Cirrus Logic gives consent for copies to be made of the information contained herein only for use within your organization with respect to Cirrus Logic integrated circuits or other products of Cirrus Logic, and only if the reproduction is without alteration and is accompanied by all associated copyright, proprietary and other notices and conditions (including this notice). This consent does not extend to other copying such as copying for general distribution, advertising or promotional purposes, or for creating any work for resale. This document and its information is provided "AS IS" without warranty of any kind (express or implied). All statutory warranties and conditions are excluded to the fullest extent possible. No responsibility is assumed by Cirrus Logic for the use of information herein, including use of this information as the basis for manufacture or sale of any items, or for infringement of patents or other rights of third parties. Cirrus Logic, Cirrus, the Cirrus Logic logo design, and SoundClear are among the trademarks of Cirrus Logic. Other brand and product names may be trademarks or service marks of their respective owners.

Copyright © 2010–2018 Cirrus Logic, Inc. All rights reserved.



**REVISION HISTORY**

DATE	REV	ORIGINATOR	CHANGES	PAGE
14/12/12	4.0	AA	Added channel to channel offset matching specification	9
			Corrected offset DAC INL DNL spec	10
			Corrected supply current for full power down mode	11
			Updated timing specification Corrected figure for ADC INPUT BLACK LEVEL ADJUST	15,17,36-38
			Corrected figure for overall signal flow	21
			Corrected figure for overall signal flow	22
			Added description for ADC, PGA Bias Current Control.	22
			Added description for PLL DLL setup	23
			Added description for 3pair LVDS format	29-33
			Added LVDS output order	34
			Corrected TG timing diagram	36,37
			Added EXTENDED REGISTERES	54,131
			Corrected description for R28	65
Corrected description for R128,R129	83			
17/02/14	4.1	AA	Corrected description of conversion rate	1
			Corrected description of reference DAC resolution	1
			Updated test condition for output noise specification	9
			Corrected device ID descriptions (Table 2 and Table 3)	13,14
			Corrected MCLK High/Low period	15
			Corrected RESET CLAMPING description	18,19
			Corrected CDS/Non-CDS PROCESSING description	20
			Updated PLL and DLL setting table	23
			Corrected TG-master/slave mode timing chart	39,40
			Added TGSYNC low period specification	40
			Added description for LINE BY LINE operation	51,52,62,79
			Added description for TEST PATTERN GENERATOR	53,54,76
Added description for Register setting procedure	55-61			
22/05/14	4.2	AA	Added data latency specification	15
			Updated tPER, tMCLKH and tMCLKL description	15
			Added LVDS synchronous output description	35
			Removed tPER and tMCLKD description	37,39
			Removed tTRGD and tPCKD description	40
			Updated Data trigger timing delay specification	41
			Corrected Trigger data description	42
			Corrected TG MASK TIMING description	46
			Added description of Data Output Configuration	64,65
			Removed register description of SEL_PCK9,10,11	69,110,111
Corrected register description of SEL_PCK7,8	110			
19/08/14	4.3	AA	Corrected pin name (PO0-PO9)	5,66,78-80
20/10/15	4.4	PH	Test limit (min/max) conditions added in Elec Chars	8-10
			Signal timing limits added	15, 39
			Amendment to LVDS_AMP description	64, 74
27/11/15	4.5	PH	Electrical characteristics updated	8-10
25/03/16	4.6	PH	Digital pin output impedance updated	10
04/10/18	4.7	PH	Supported operating frequencies (MCLK, sample rate) updated	1, 8-10, 15, 16, 23, 25
			LVDS 10-bit 3-pair illustration corrected	28
06/11/18	4.8	PH	Maximum sample rate specification corrected	8

# Mouser Electronics

Authorized Distributor

Click to View Pricing, Inventory, Delivery & Lifecycle Information:

[Cirrus Logic:](#)

[WM8235GEFL/V](#) [WM8235GEFL/RV](#)



Компания «ЭлектроПласт» предлагает заключение долгосрочных отношений при поставках импортных электронных компонентов на взаимовыгодных условиях!

Наши преимущества:

- Оперативные поставки широкого спектра электронных компонентов отечественного и импортного производства напрямую от производителей и с крупнейших мировых складов;
- Поставка более 17-ти миллионов наименований электронных компонентов;
- Поставка сложных, дефицитных, либо снятых с производства позиций;
- Оперативные сроки поставки под заказ (от 5 рабочих дней);
- Экспресс доставка в любую точку России;
- Техническая поддержка проекта, помощь в подборе аналогов, поставка прототипов;
- Система менеджмента качества сертифицирована по Международному стандарту ISO 9001;
- Лицензия ФСБ на осуществление работ с использованием сведений, составляющих государственную тайну;
- Поставка специализированных компонентов (Xilinx, Altera, Analog Devices, Intersil, Interpoint, Microsemi, Aeroflex, Peregrine, Syfer, Eurofarad, Texas Instrument, Miteq, Cobham, E2V, MA-COM, Hittite, Mini-Circuits, General Dynamics и др.);

Помимо этого, одним из направлений компании «ЭлектроПласт» является направление «Источники питания». Мы предлагаем Вам помощь Конструкторского отдела:

- Подбор оптимального решения, техническое обоснование при выборе компонента;
- Подбор аналогов;
- Консультации по применению компонента;
- Поставка образцов и прототипов;
- Техническая поддержка проекта;
- Защита от снятия компонента с производства.



#### Как с нами связаться

**Телефон:** 8 (812) 309 58 32 (многоканальный)

**Факс:** 8 (812) 320-02-42

**Электронная почта:** [org@eplast1.ru](mailto:org@eplast1.ru)

**Адрес:** 198099, г. Санкт-Петербург, ул. Калинина, дом 2, корпус 4, литера А.