

PLEASE CHECK WWW.MOLEX.COM FOR LATEST PART INFORMATION

Part Number: [0470192002](#)
Status: **Active**
Overview: sim smart card
Description: 2.54mm (.100") Pitch SIM Card Connector, 6 Circuits, Housing Height 2.00mm (.079"), Lead Free

Documents:

[3D Model](#) [Product Specification PS-47019-001 \(PDF\)](#)
[Drawing \(PDF\)](#) [RoHS Certificate of Compliance \(PDF\)](#)

General

| | |
|----------------|--------------------------------|
| Product Family | Memory Card Sockets |
| Series | 47019 |
| Button Type | N/A |
| Comments | Housing Height: 2.00mm (.079") |
| Component Type | Header/Socket (Host) |
| Overview | sim smart card |
| Product Name | SIM |
| Type | N/A |

Physical

| | |
|--------------------------------|--------------------------------|
| Card Detection Switch | No |
| Circuits (Loaded) | 6 |
| Circuits (maximum) | 6 |
| Color - Resin | Black |
| Durability (mating cycles max) | 3,000 |
| Ejector Button Side | No Ejector Button Present |
| Entry Angle | Horizontal |
| Keying to Mating Part | None |
| Material - Metal | Phosphor Bronze |
| Material - Plating Mating | Gold |
| Material - Plating Termination | Gold |
| Material - Resin | High Temperature Thermoplastic |
| PCB Locator | No |
| PCB Mounting Side | Reverse |
| PCB Retention | None |
| Packaging Type | Embossed Tape on Reel |
| Pitch - Mating Interface (in) | 0.100 In |
| Pitch - Mating Interface (mm) | 2.54 mm |
| Pitch - Term. Interface (in) | 0.100 In |
| Pitch - Term. Interface (mm) | 2.54 mm |
| Plating min: Mating (µin) | 32 |
| Plating min: Mating (µm) | 0.8 |
| Plating min: Termination (µin) | 2 |
| Plating min: Termination (µm) | 0.05 |
| Ports | 0 |
| Temperature Range - Operating | -30°C to +85°C |
| Termination Interface: Style | Surface Mount |

Electrical

| | |
|-------------------------------|--------|
| Current - Maximum per Contact | 0.5A |
| Shielded | No |
| Voltage - Maximum | 15V DC |

Solder Process Data

| | |
|------------------------------------------------|----|
| Duration at Max. Process Temperature (seconds) | 48 |
|------------------------------------------------|----|

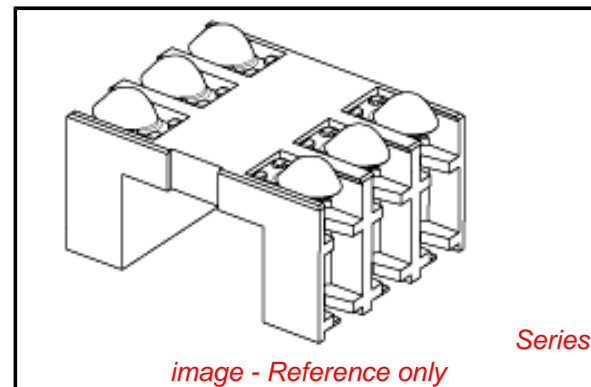


image - Reference only

EU RoHS

**ELV and RoHS
Compliant**
REACH SVHC
 Not Reviewed
**Halogen-Free
Status**

China RoHS



**Need more information on product
environmental compliance?**

Email productcompliance@molex.com
 For a multiple part number RoHS Certificate of Compliance, [click here](#)

Please visit the [Contact Us](#) section for any non-product compliance questions.

Search Parts in this Series

[47019Series](#)

Mates With

Standard SIM Card

| | |
|-----------------------------------------|---------------------------|
| Lead-free Process Capability | Reflow Capable (SMT only) |
| Max. Cycles at Max. Process Temperature | 3 |
| Process Temperature max. C | 260 |

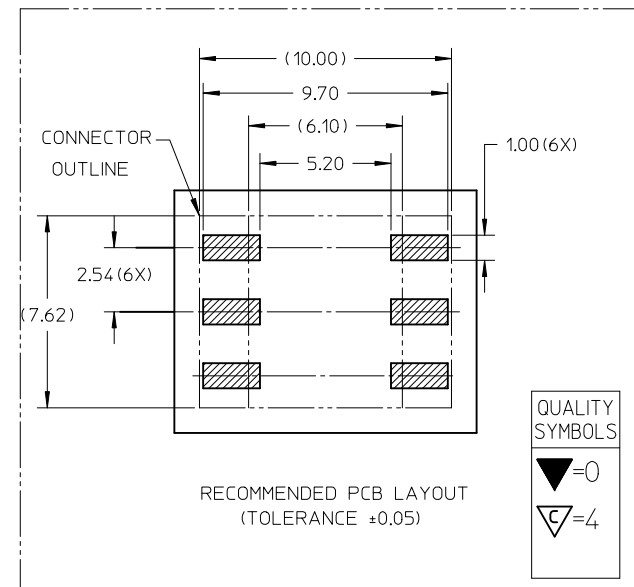
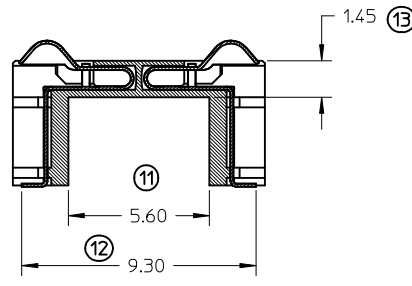
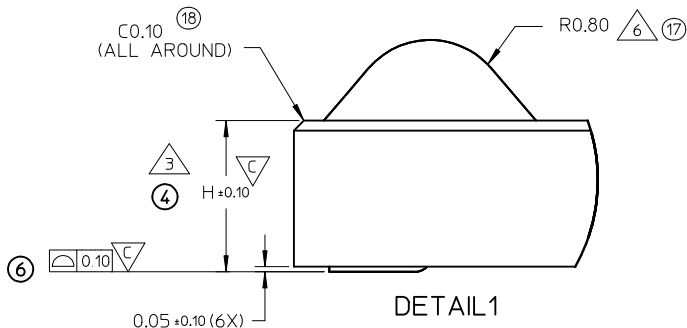
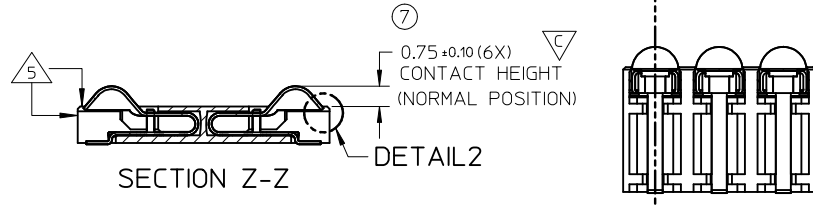
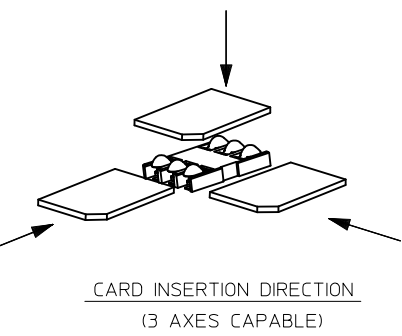
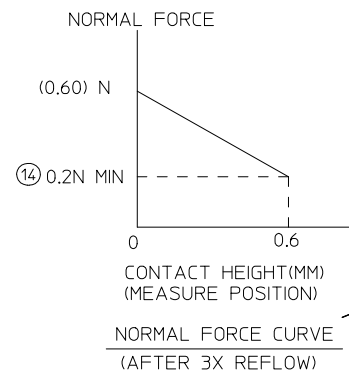
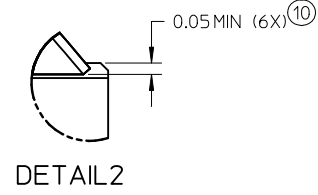
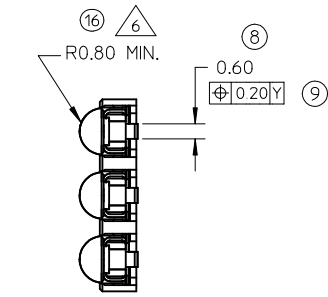
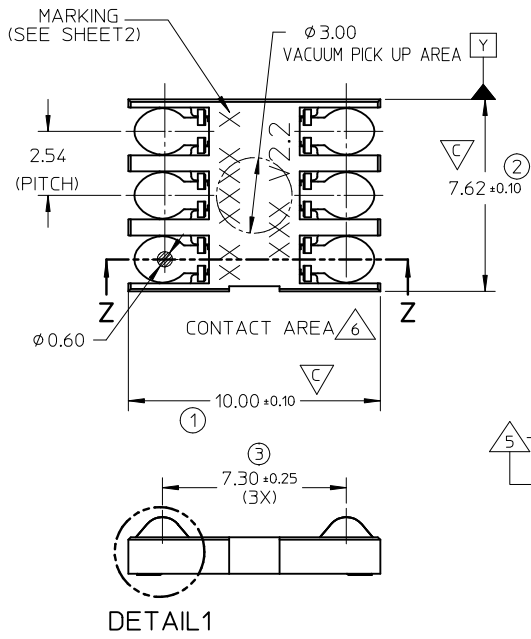
Material Info

Reference - Drawing Numbers

| | |
|-------------------------|--------------|
| Packaging Specification | PK-47019-001 |
| Product Specification | PS-47019-001 |
| Sales Drawing | SD-47019-001 |
| Test Summary | TS-47019-001 |

This document was generated on 05/27/2010

PLEASE CHECK WWW.MOLEX.COM FOR LATEST PART INFORMATION



QUALITY SYMBOLS

▽=0

▽=4

- NOTES:
- 1 MATERIAL:
 - 1-1 HOUSING : LCP 30% GLASS FILL, UL94 V-0,COLOR BLACK
 - 1-2 TERMINAL : PHOSPHOR BRONZE 0.12MM REF THICKNESS
 - 2 PLATING:TERMINAL:
 - 2-1 SIM SIDE (CONTACT AREA): 0.8 MICROMETER MIN GOLD
 - 2-1 SOLDER TAIL : GOLD FLASH 0.05 MICROMETER MIN
 - 2-3 UNDERPLATING : 2 MICROMETER NICKEL OVERALL
 - 3 H DIMENSION MINIMUM=1.50,MAXIMUM=5.00(SEE CHART ON SHEET2)
 - 4 NO SHARP EDGES INTERFACING WITH THE PCB OR SIM CARD
 - 5 CONTACT MUST NOT EXTENDED BEYOND HOUSING EDGE DURING DEFLECTION AND MUST LOWER THAN HOUSING LEVEL AFTER 3 TIMES REFLOW
 - 6 MAINTAIN IN CONTACT AREA

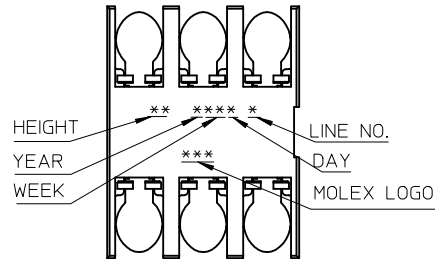
| | | | | | | |
|------------------------------------------------------------------------------------------------------------------------|-----------------|---------------------------------------|-------------------------------------------------------------------------------------------------------------------------------|-------|--------------|------------------------------|
| RELEASED EC NO:58122000-03955 DRWN:JL1U39 CHKD:LANDY APPR:WFDENG 2010/03/10 2010/03/10 2010/04/02 | QUALITY SYMBOLS | GENERAL TOLERANCES (UNLESS SPECIFIED) | DIMENSION STYLE | SCALE | DESIGN UNITS | THIRD ANGLE PROJECTION |
| | ▽=0 | mm INCH | MM ONLY | NTS | METRIC | |
| | ▽=0 | 4 PLACES ± --- ± --- | DRAWN BY DATE | | | TITLE |
| | ▽=0 | 3 PLACES ± --- ± --- | JLU 2004/03/21 | | | 6 CKT SCALABLE SIM CONNECTOR |
| | ANGULAR ± 2 ° | 2 PLACES ± 0.10 ± --- | CHECKED BY DATE | | | |
| | | 1 PLACE ± 0.2 ± --- | YJWU 2004/03/21 | | | |
| | | | APPROVED BY DATE | | | |
| | | | WFDENG 2010/03/29 | | | |
| | | | MATERIAL NO. | | | |
| | | | SEE TABLE | | | |
| | | | SIZE | | | |
| | | | A3 | | | |
| | | | THIS DRAWING CONTAINS INFORMATION THAT IS PROPRIETARY TO MOLEX INCORPORATED AND SHOULD NOT BE USED WITHOUT WRITTEN PERMISSION | | | |

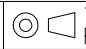
| | |
|----|--|
| 10 | |
| 9 | |
| 8 | |
| 7 | |
| 6 | |
| 5 | |
| 4 | |
| 3 | |
| 2 | |
| 1 | |

| | |
|-------------|-------|
| PART NUMBER | DIM H |
| 470192002 | 2.0 |
| 470192402 | 2.4 |

| HEIGHT | YEAR | WEEK | DAY | LINE NO. | MOLEX LOGO | | |
|---------------|-------------------|---------------|--------------|--------------|------------------------|-------------------------|------------------------|
| 15--50 | 0--9 | 01--52 | 1--7 | 1-- | MSH | MCH | MCD |
| Example 20 | Example 0-2010 | Example 13 | Example 1 | Example 2 | PRODUCE IN SHANGHAI | PRODUCE IN DONG GUAN | PRODUCE IN CHENG DU |

 PRODUCTION TOOL PART PRINTED DATE CODE



| | | | | | | | | |
|-------------------------------------------------------------------------------------------------------------------------|--------------------|-----------------------|---------------------------------------|-------------------------------------------------------------------------------------------------------------------------------|---------------------------------|--------------|---------------------------------------------------------------------------------------|--|
| RELEASED EC NO: 58122000-00355 DRWN: JLU39 2010/03/10 CHKD: LANDY 2010/03/10 APPR: WFDENG 2010/04/02 | DESCRIPTION REV | QUALITY SYMBOLS | GENERAL TOLERANCES (UNLESS SPECIFIED) | DIMENSION STYLE | SCALE | DESIGN UNITS | THIRD ANGLE PROJECTION | |
| | | $F_A=0$ | mm INCH | MM ONLY | NTS | METRIC |  | |
| | | $F_C=0$ | 4 PLACES ± --- ± --- | DRAWN BY DATE | TITLE | | | |
| | | $F_P=0$ | 3 PLACES ± --- ± --- | JLU 2004/03/21 | 6 CKT SCALABLE SIM CONNECTOR | | | |
| | | 2 PLACES ± 0.10 ± --- | CHECKED BY DATE | MATERIAL NO. DOCUMENT NO. | | | | |
| | | 1 PLACE ± 0.2 ± --- | YJWU 2004/03/21 | SD-47019-001 | | | | |
| | | ANGULAR ± 2 ° | APPROVED BY DATE | SHEET NO. | | | | |
| | | | WFDENG 2010/03/29 | 2 OF 2 | | | | |
| | | | MATERIAL NO. | THIS DRAWING CONTAINS INFORMATION THAT IS PROPRIETARY TO MOLEX INCORPORATED AND SHOULD NOT BE USED WITHOUT WRITTEN PERMISSION | | | | |
| | | | SEE TABLE | | | | | |



Компания «ЭлектроПласт» предлагает заключение долгосрочных отношений при поставках импортных электронных компонентов на взаимовыгодных условиях!

Наши преимущества:

- Оперативные поставки широкого спектра электронных компонентов отечественного и импортного производства напрямую от производителей и с крупнейших мировых складов;
- Поставка более 17-ти миллионов наименований электронных компонентов;
- Поставка сложных, дефицитных, либо снятых с производства позиций;
- Оперативные сроки поставки под заказ (от 5 рабочих дней);
- Экспресс доставка в любую точку России;
- Техническая поддержка проекта, помощь в подборе аналогов, поставка прототипов;
- Система менеджмента качества сертифицирована по Международному стандарту ISO 9001;
- Лицензия ФСБ на осуществление работ с использованием сведений, составляющих государственную тайну;
- Поставка специализированных компонентов (Xilinx, Altera, Analog Devices, Intersil, Interpoint, Microsemi, Aeroflex, Peregrine, Syfer, Eurofarad, Texas Instrument, Miteq, Cobham, E2V, MA-COM, Hittite, Mini-Circuits, General Dynamics и др.);

Помимо этого, одним из направлений компании «ЭлектроПласт» является направление «Источники питания». Мы предлагаем Вам помощь Конструкторского отдела:

- Подбор оптимального решения, техническое обоснование при выборе компонента;
- Подбор аналогов;
- Консультации по применению компонента;
- Поставка образцов и прототипов;
- Техническая поддержка проекта;
- Защита от снятия компонента с производства.



Как с нами связаться

Телефон: 8 (812) 309 58 32 (многоканальный)

Факс: 8 (812) 320-02-42

Электронная почта: org@eplast1.ru

Адрес: 198099, г. Санкт-Петербург, ул. Калинина, дом 2, корпус 4, литера А.