

Description

GM1117 of positive adjustable and fixed regulators is designed to provide 1.0A output with low dropout voltage performance. On-chip trimming adjusts the reference voltage to 1%. For usage on working in post regulators or microprocessor power supplies, low voltage operation and fast transient response are required.

Pin-to-pin compatible with the LT1086 family of regulators, GM1117 is available in surface-mount SOT-223 and TO-252 packages.

Features

- ◆ Adjustable or Fixed Output
- ◆ Output Current of 1.0A
- ◆ Dropout Voltage (Typical) 1.15V @ 1.0A
- ◆ Line Regulation 0.2% max.
- ◆ Load Regulation 0.4% max.
- ◆ Fast Transient Response
- ◆ Current Limit Protection
- ◆ Thermal Shutdown Protection

Application

High Efficiency Linear Regulators

Post Regulators for Switching Supplies

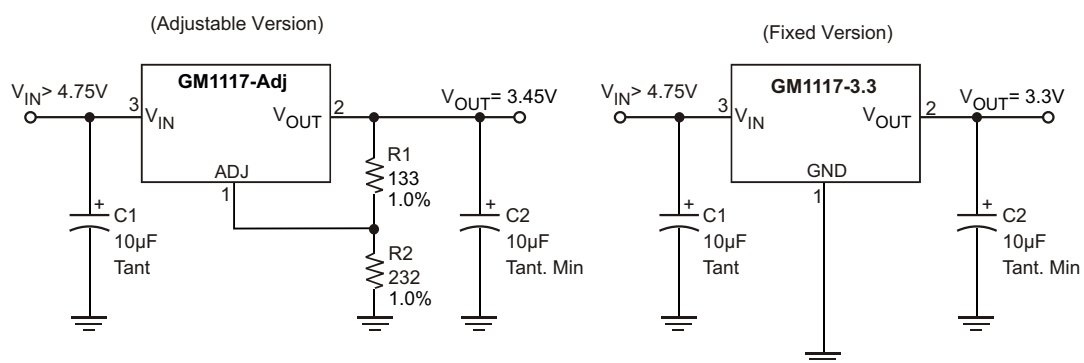
Microprocessor Supply

Hard Drive Controllers

Battery Chargers

Adjustable Power Supply

TYPICAL APPLICATION CIRCUITS



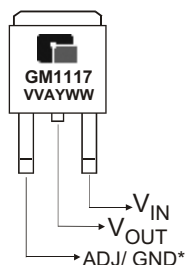
$$V_{OUT} = V_{REF} \times \left(1 + \frac{R_2}{R_1}\right) + I_{ADJ} \times R_2$$

Notes:

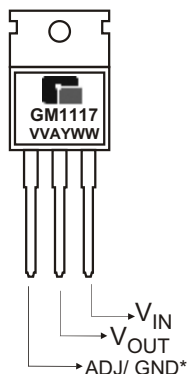
1. C1 needed if device is far from filter capacitors
2. C2 minimum value required for stability

◆ MARKING INFORMATION & PIN CONFIGURATIONS (Top View)

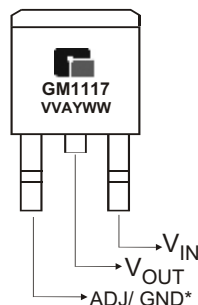
TO-252 (DPAK)



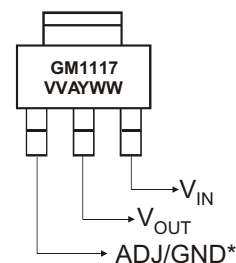
TO-220



TO-263-2 (D² PAK)



SOT-223



V V/VVV = Output Voltage (50 = 5.0V, 285= 2.85V ,A =Adj)
 A = Assembly Location
 Y = Year
 W W = Weekly

* On fixed versions Pin 1 = GND,
 on adjustable versions Pin 1 = ADJ
 * Tab = V_{OUT}

◆ ORDERING INFORMATION

Ordering Number	Output Voltage	Package	Shipping
GM1117-AST3T	Adj	SOT-223	80 Units / Tube
GM1117-AST3R	Adj	SOT-223	2,500 Units / Tape & Reel
GM1117-ATC3T	Adj	TO-252	80 Units / Tube
GM1117-ATC3R	Adj	TO-252	2,500 Units / Tape & Reel
GM1117-ATB3T	Adj	TO-220	50 Units / Tube
GM1117-ATA3T	Adj	TO-263	50 Units / Tube
GM1117-ATA3R	Adj	TO-263	800 Units / Tape & Reel
GM1117-1.5ST3T	1.5	SOT-223	80 Units / Tube
GM1117-1.5ST3R	1.5	SOT-223	2,500 Units / Tape & Reel
GM1117-1.5TC3T	1.5	TO-252	80 Units / Tube
GM1117-1.5TC3R	1.5	TO-252	2,500 Units / Tape & Reel
GM1117-1.5TB3T	1.5	TO-220	50 Units / Tube
GM1117-1.5TA3T	1.5	TO-263	50 Units / Tube
GM1117-1.5TA3R	1.5	TO-263	800 Units / Tape & Reel
GM1117-1.8ST3T	1.8	SOT-223	80 Units / Tube
GM1117-1.8ST3R	1.8	SOT-223	2,500 Units / Tape & Reel
GM1117-1.8TC3T	1.8	TO-252	80 Units / Tube
GM1117-1.8TC3R	1.8	TO-252	2,500 Units / Tape & Reel
GM1117-1.8TB3T	1.8	TO-220	50 Units / Tube
GM1117-1.8TA3T	1.8	TO-263	50 Units / Tube
GM1117-1.8TA3R	1.8	TO-263	800 Units / Tape & Reel

* For detail Ordering Number identification, please see last page.

◆ ORDERING INFORMATION (Continued)

Ordering Number	Output Voltage	Package	Shipping
GM1117-2.5ST3T	2.5	SOT-223	80 Units / Tube
GM1117-2.5ST3R	2.5	SOT-223	2,500 Units / Tape & Reel
GM1117-2.5TC3T	2.5	TO-252	80 Units / Tube
GM1117-2.5TC3R	2.5	TO-252	2,500 Units / Tape & Reel
GM1117-2.5TB3T	2.5	TO-220	50 Units / Tube
GM1117-2.5TA3T	2.5	TO-263	50 Units / Tube
GM1117-2.5TA3R	2.5	TO-263	800 Units / Tape & Reel
GM1117-2.85ST3T	2.85	SOT-223	80 Units / Tube
GM1117-2.85ST3R	2.85	SOT-223	2,500 Units / Tape & Reel
GM1117-2.85TC3T	2.85	TO-252	80 Units / Tube
GM1117-2.85TC3R	2.85	TO-252	2,500 Units / Tape & Reel
GM1117-2.85TB3T	2.85	TO-220	50 Units / Tube
GM1117-2.85TA3T	2.85	TO-263	50 Units / Tube
GM1117-2.85TA3R	2.85	TO-263	800 Units / Tape & Reel
GM1117-3.0ST3T	3.0	SOT-223	80 Units / Tube
GM1117-3.0ST3R	3.0	SOT-223	2,500 Units / Tape & Reel
GM1117-3.0TC3T	3.0	TO-252	80 Units / Tube
GM1117-3.0TC3R	3.0	TO-252	2,500 Units / Tape & Reel
GM1117-3.0TB3T	3.0	TO-220	50 Units / Tube
GM1117-3.0TA3T	3.0	TO-263	50 Units / Tube
GM1117-3.0TA3R	3.0	TO-263	800 Units / Tape & Reel
GM1117-3.3ST3T	3.3	SOT-223	80 Units / Tube
GM1117-3.3ST3R	3.3	SOT-223	2,500 Units / Tape & Reel
GM1117-3.3TC3T	3.3	TO-252	80 Units / Tube
GM1117-3.3TC3R	3.3	TO-252	2,500 Units / Tape & Reel
GM1117-3.3TB3T	3.3	TO-220	50 Units / Tube
GM1117-3.3TA3T	3.3	TO-263	50 Units / Tube
GM1117-3.3TA3R	3.3	TO-263	800 Units / Tape & Reel
GM1117-5.0ST3T	5.0	SOT-223	80 Units / Tube
GM1117-5.0ST3R	5.0	SOT-223	2,500 Units / Tape & Reel
GM1117-5.0TC3T	5.0	TO-252	80 Units / Tube
GM1117-5.0TC3R	5.0	TO-252	2,500 Units / Tape & Reel
GM1117-5.0TB3T	5.0	TO-220	50 Units / Tube
GM1117-5.0TA3T	5.0	TO-263	50 Units / Tube
GM1117-5.0TA3R	5.0	TO-263	800 Units / Tape & Reel

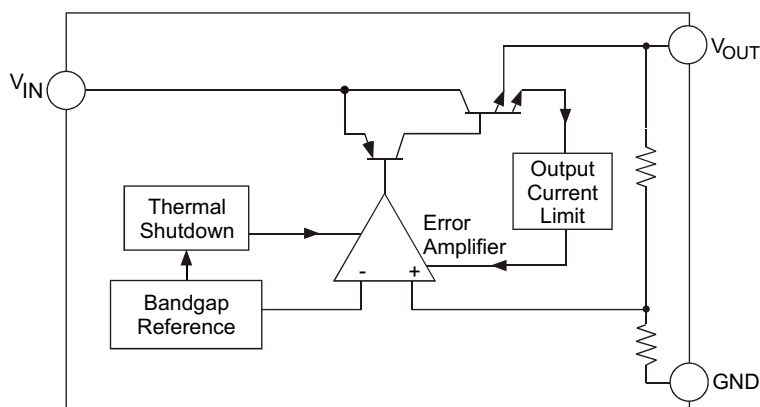
* For detail Ordering Number identification, please see last page.

◆ ABSOLUTE MAXIMUM RATINGS

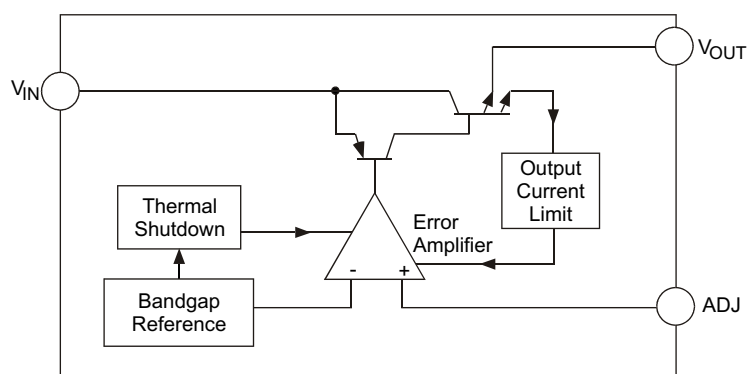
PARAMETER	SYMBOL	VALUE	UNIT
Power Dissipation	P_D	Internally limited	W
Input Voltage	V_{IN}	7.0	V
Lead Temperature(Soldering, 10sec)	T_{LEAD}	300	°C
Operating Junction Temperature Range Control Section Power Transistor	T_J	0 to 125 0 to 150	°C
Storage Temperature Range	T_{STG}	-65 to + 150	°C
Thermal Characteristics SOT-223 Thermal Resistance, Junction-to-Case DPAK Thermal Resistance, Junction-to-Case D ² PAK Thermal Resistance, Junction-to-Case	R_{JC}	15 6.0 3.0	°C/W

◆ BLOCK DIAGRAM

(Fixed Version)



(Adjustable Version)



◆ ELECTRICAL CHARACTERISTICS

(Typicals and limits appearing in normal type apply for $T_J = 25^\circ\text{C}$)

Parameter		Symbol	Condition	Min	Typ	Max	Unit
Reference Voltage	GM1117-Adj	V_{REF}	$I_{OUT}=10\text{mA}$, $V_{IN}=5\text{V}$ $10\text{mA} \leq I_{OUT} \leq 1.0\text{A}$, $2.65\text{V} \leq V_{IN} \leq 7\text{V}$	1.238 1.225	1.250 1.250	1.262 1.275	V
Output Voltage	GM1117-1.8	V_O	$I_{OUT}=10\text{mA}$, $V_{IN}=3.3\text{V}$ $0 \leq I_{OUT} \leq 1.0\text{A}$, $3.3\text{V} \leq V_{IN} \leq 7\text{V}$	1.782 1.764	1.800 1.800	1.818 1.836	V
	GM1117-2.5		$I_{OUT}=10\text{mA}$, $V_{IN}=4\text{V}$ $0 \leq I_{OUT} \leq 1.0\text{A}$, $4\text{V} \leq V_{IN} \leq 7\text{V}$	2.475 2.450	2.500 2.500	2.525 2.550	V
	GM1117-3.3		$I_{OUT}=10\text{mA}$, $V_{IN}=4.8\text{V}$ $0 \leq I_{OUT} \leq 1.0\text{A}$, $4.8\text{V} \leq V_{IN} \leq 7\text{V}$	3.267 3.234	3.300 3.300	3.333 3.366	V
	GM1117-5.0		$I_{OUT}=10\text{mA}$, $V_{IN}=6.5\text{V}$ $0 \leq I_{OUT} \leq 1.0\text{A}$, $6.5\text{V} \leq V_{IN} \leq 7\text{V}$	4.950 4.900	5.000 5.000	5.050 5.100	V
Line Regulation	GM1117-Adj	REG_{LINE}	$I_{OUT}=10\text{mA}$, $2.75\text{V} \leq V_{IN} \leq 7\text{V}$		0.04	0.20	%
	GM1117-1.8		$I_{OUT}=10\text{mA}$, $3.3\text{V} \leq V_{IN} \leq 7\text{V}$		0.04	0.20	
	GM1117-2.5		$I_{OUT}=10\text{mA}$, $4\text{V} \leq V_{IN} \leq 7\text{V}$		0.04	0.20	
	GM1117-3.3		$I_{OUT}=10\text{mA}$, $4.8\text{V} \leq V_{IN} \leq 7\text{V}$		0.04	0.20	
	GM1117-5.0		$I_{OUT}=10\text{mA}$, $6.5\text{V} \leq V_{IN} \leq 7\text{V}$		0.04	0.20	
Load Regulation	GM1117-Adj	REG_{LOAD}	$V_{IN}-V_{OUT}=1.5\text{V}$, $10\text{mA} \leq I_O \leq 1.0\text{A}$		0.20	0.40	%
	GM1117-1.8		$V_{IN}=3.3\text{V}$, $10\text{mA} \leq I_O \leq 1.0\text{A}$		0.20	0.40	
	GM1117-2.5		$V_{IN}=4.0\text{V}$, $10\text{mA} \leq I_O \leq 1.0\text{A}$		0.20	0.40	
	GM1117-3.3		$V_{IN}=4.8\text{V}$, $10\text{mA} \leq I_O \leq 1.0\text{A}$		0.20	0.40	
	GM1117-5.0		$V_{IN}=6.5\text{V}$, $10\text{mA} \leq I_O \leq 1.0\text{A}$		0.20	0.40	
Dropout Voltage		V_D	$I_{OUT}=1.0\text{A}$		1.15	1.3	V
Current Limit		I_{CL}	$V_{IN}-V_{OUT}=3\text{V}$	1.1	3.1		A
Minimum Load Current	GM1117-Adj	$I_{O\ MIN}$	$V_{IN}=5\text{V}$		3	7	mA
Quiescent Current	GM1117-1.8	I_Q	$V_{IN}=3.3\text{V}$, $10\text{mA} \leq I_O \leq 1.0\text{A}$		7	13	mA
	GM1117-2.5		$V_{IN}=4.0\text{V}$, $10\text{mA} \leq I_O \leq 1.0\text{A}$		7	13	
	GM1117-3.3		$V_{IN}=4.8\text{V}$, $10\text{mA} \leq I_O \leq 1.0\text{A}$		7	13	
	GM1117-5.0		$V_{IN}=6.5\text{V}$, $10\text{mA} \leq I_O \leq 1.0\text{A}$		7	13	
Adjust Pin Current	GM1117-Adj	I_{ADJ}	$I_{OUT}=10\text{mA}$, $2.75\text{V} \leq V_{IN} \leq 7\text{V}$		55	90	μA
Temp. Coefficient			$V_{IN}-V_{OUT}=1.5\text{V}$, $I_{OUT}=10\text{mA}$		0.005		$\%/^\circ\text{C}$
Thermal Regulation		T_C	$T_A=25^\circ\text{C}$, 30ms pulse		0.003		$\%/W$
Ripple Rejection		R_A	$V_{IN}-V_{OUT}=1.5\text{V}$, $I_{OUT}=1.0\text{A}$	60	72		dB

◆ APPLICATION INFORMATION

GM1117 linear regulators provide fixed and adjustable output voltages at currents up to 1.0A. These regulators are protected against overcurrent conditions and include thermal shutdown protection. The GM1117's have a composite PNP-NPN output transistor and require an output capacitor for stability. A detailed procedure for selecting this capacitor follows.

Adjustable Operation

The GM1117 has an output voltage range of 1.25 V to 5.5 V. An external resistor divider sets the output voltage as shown in Figure 1. The regulator maintains a fixed 1.25V (typical) reference between the output pin and the adjust pin.

A resistor divider network R1 and R2 causes a fixed current to flow to ground. This current creates a voltage across R2 that adds to the 1.25 V across R1 and sets the overall output voltage. The adjust pin current (typically 50 μ A) also flows through R2 and adds a small error that should be taken into account if precise adjustment of V_{OUT} is necessary.

The output voltage is set according to the formula:

$$V_{OUT} = V_{REF} \times \left(\frac{R1 + R2}{R1} \right) + I_{Adj} \times R2$$

The term $I_{Adj} \times R2$ represents the error added by the adjust pin current.

R1 is chosen so that the minimum load current is at least 2.0 mA. R1 and R2 should be the same type, e.g. metal film for best tracking over temperature. While not required, a bypass capacitor from the adjust pin to ground will improve ripple rejection and transient response. A 0.1 μ F tantalum capacitor is recommended for "first cut" design. Type and value may be varied to obtain optimum performance vs. price.

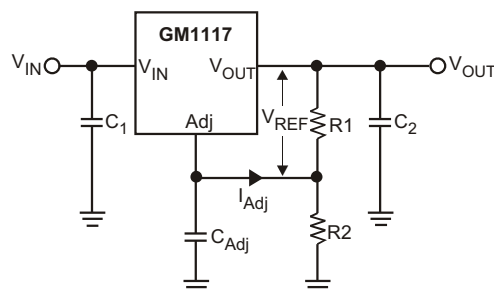


Figure 1. Resistor Divider Scheme

Stability Considerations

The output compensation capacitor helps to determine three main characteristics of a linear regulator's performance: start-up delay, load transient response, and loop stability. The capacitor value and type is based on cost, availability, size and temperature constraints. A tantalum or aluminum electrolytic capacitor is preferred, as a film or ceramic capacitor with almost zero ESR can cause instability. An aluminum electrolytic capacitor is the least expensive type, but when the circuit operates at low temperatures, both the value and ESR of the capacitor will vary widely. For optimum performance over the full operating temperature range, a tantalum capacitor is best. A 22 μ F tantalum capacitor will work fine in most applications, but with high current regulators such as the GM1117 higher capacitance values will improve the transient response and stability. Most applications for the GM1117's involve large changes in load current, so the output capacitor must supply instantaneous load current. The ESR of the output capacitor causes an immediate drop in output voltage given by:

$$V = I \times \text{ESR}$$

In microprocessor applications an output capacitor network of several tantalum and ceramic capacitors in parallel is commonly used. This reduces overall ESR and minimizes the instantaneous output voltage drop under transient load conditions. The output capacitor network should be placed as close to the load as possible for the best results.

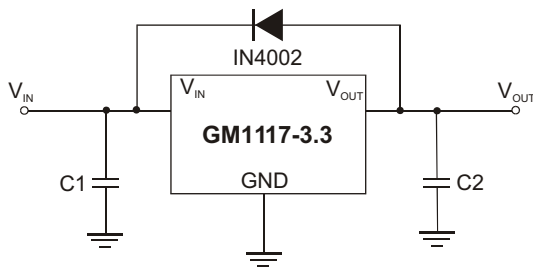
Used with large output capacitance values and the input voltage is instantaneously shorted to ground, damage can occur. In this case, a diode connected as shown above in Figure 1.

Protection Diodes

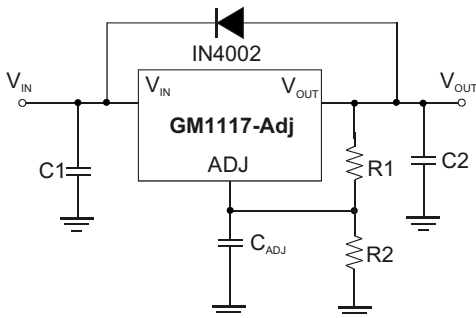
When large external capacitors are used with most linear regulator, it is wise to add protection diodes. If the input voltage of the regulator is shorted, the output capacitor will discharge into the output of the regulator. The discharge current depends on the value of capacitor, output voltage, and rate at which V_{IN} drops.

Figure 2 (a),(b) Protection Diode Scheme for Large Output Capacitors

(a) Fixed Version



(b) Adjustable Version



In the GM1117 linear regulators, the discharge path is through a large junction, and protection diodes are normally not needed. However, damage can occur if the regulator is used with large output capacitance values and the input voltage is instantaneously shorted to ground. In this case, a diode connected as shown above in Figure 2.

Output Voltage Sensing

The GM1117 are three terminal regulators. For which, they cannot provide true remote load sensing. Load regulation is limited by the resistance of the conductors connecting the regulator to the load. For best results the GM1117 should be connected are as shown in Figure 3.

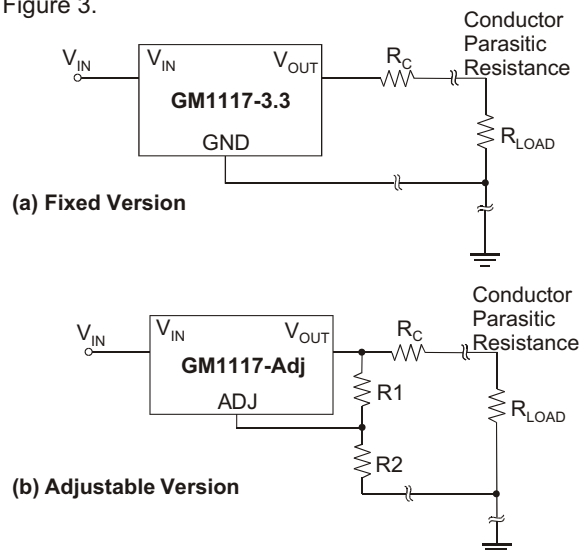


Figure 3 (a),(b) Conductor Parasitic Resistance Effects are Minimized by this Grounding Scheme For Fixed and Adjustable Output Regulators

Calculating Power Dissipation and Heat Sink Requirements

The GM1117 precision linear regulators include thermal shutdown and current limit circuitry to protect the devices. However, high power regulators normally operate at high junction temperatures. It is important to calculate the power dissipation and junction temperatures accurately to be sure that you use an adequate heat sink. The case is connected to V_{OUT} on the GM1117, and electrical isolation may be required for some applications. Thermal compound should always be used with high current regulators like the GM1117.

The thermal characteristics of an IC depend four factors:

1. Maximum Ambient Temperature T_A ($^{\circ}\text{C}$)
2. Power Dissipation P_D (Watts)
3. Maximum Junction Temperature T_J ($^{\circ}\text{C}$)
4. Thermal Resistance Junction to ambient R_{JA} ($^{\circ}\text{C}/\text{W}$)

The relationship of these four factors is expressed by equation (1):

$$T_J = T_A + P_D \times R_{JA} \dots\dots(1)$$

Maximum ambient temperature and power dissipation are determined by the design while the maximum junction temperature and thermal resistance depend on the manufacturer and the package type.

The maximum power dissipation for a regulator is expressed by equation (2):

$$P_{D(\max)} = \{ V_{IN(\max)} - V_{OUT(\min)} \} I_{OUT(\max)} + V_{IN(\max)} I_Q \dots\dots(2)$$

where:

$V_{IN(\max)}$ is the maximum input voltage,

$V_{OUT(\min)}$ is the minimum output voltage,

$I_{OUT(\max)}$ is the maximum output current

I_Q is the maximum quiescent current at $I_{OUT(\max)}$.

A heat sink effectively increases the surface area of the package to improve the flow of heat away from the IC into the air. Each material in the heat flow path between the IC and the environment has a thermal resistance. Like series electrical resistances, these resistance are summed to determine R_{JA} , the total thermal resistance between the junction and the air. This is expressed by equation (3):

$$R_{JA} = R_{JC} + R_{CS} + R_{SA} \dots\dots(3)$$

Where all of the following are in $^{\circ}\text{C}/\text{W}$:

R_{JC} is thermal resistance of junction to case,

R_{CS} is thermal resistance of case to heat sink,

R_{SA} is thermal resistance of heat sink to ambient air

The value for R_{JA} is calculated using equation (3) and the result can be substituted in equation (1). The value for R_{JC} is $3.5^{\circ}\text{C}/\text{W}$ for a given package type based on an average die size. For a high current regulator such as the GM1117 the majority of the heat is generated in the power transistor section.

◆ Typical Performance Characteristics

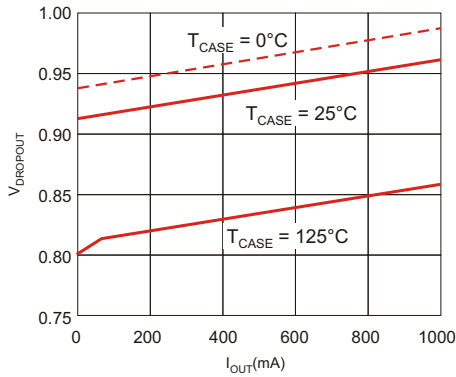


Figure 3. Dropout Voltage vs. Output Current

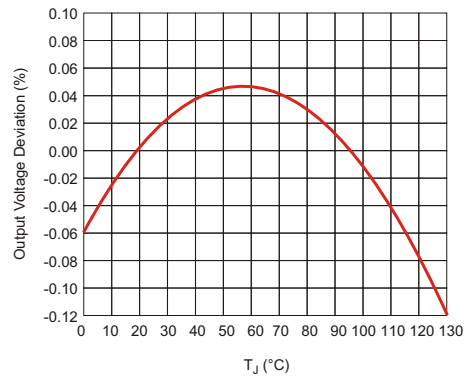


Figure 4. Reference Voltage vs. Temperature

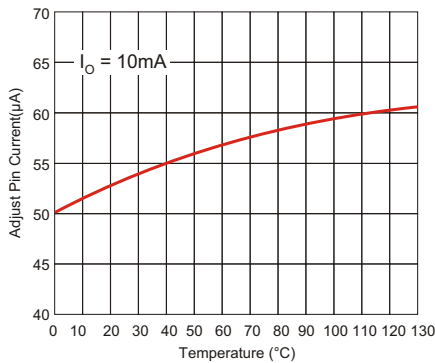


Figure 5. Adjust Pin Current vs. Temperature

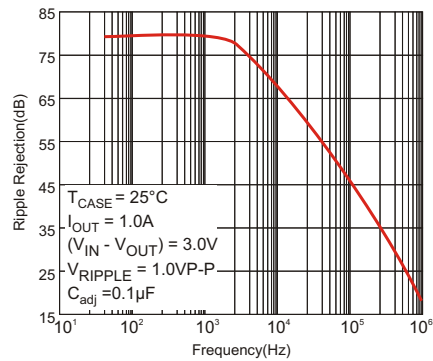


Figure 6. Ripple Rejection vs. Frequency

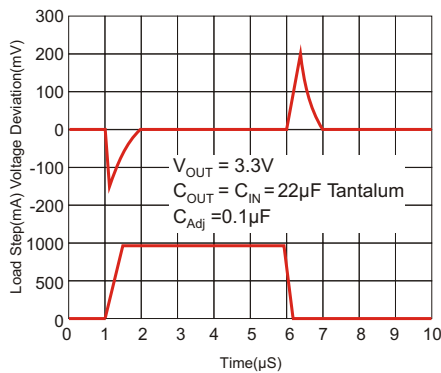


Figure 7. Transient Response

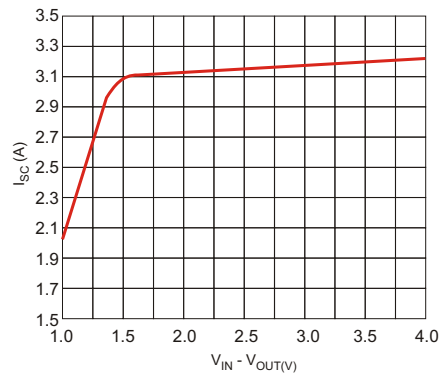
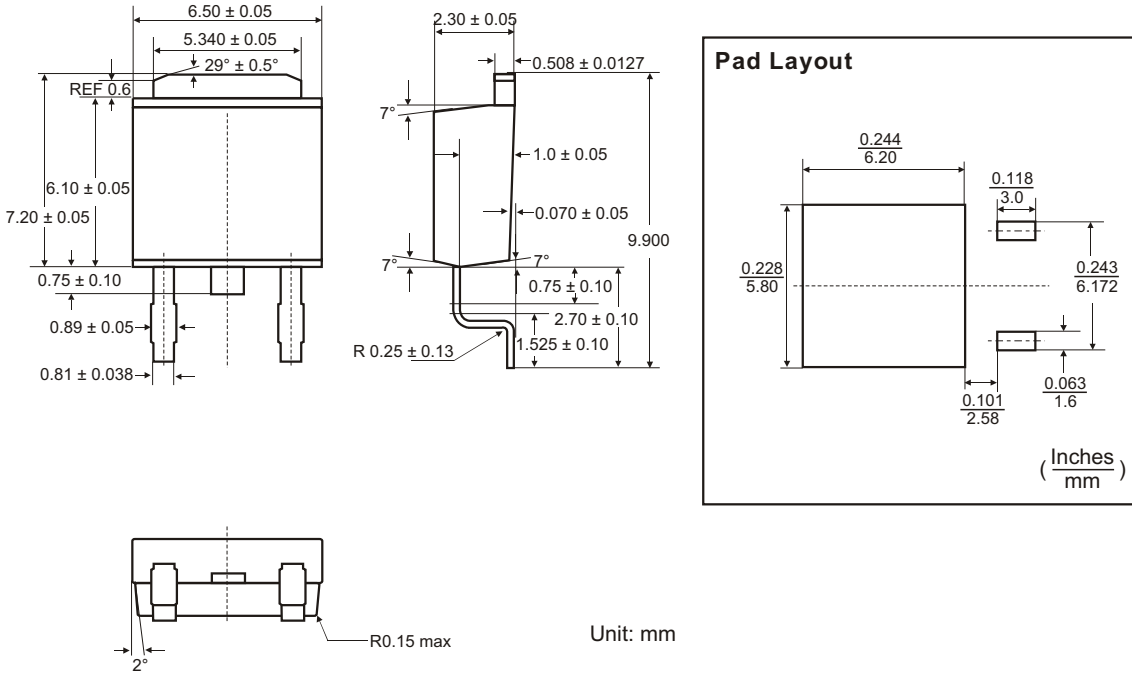
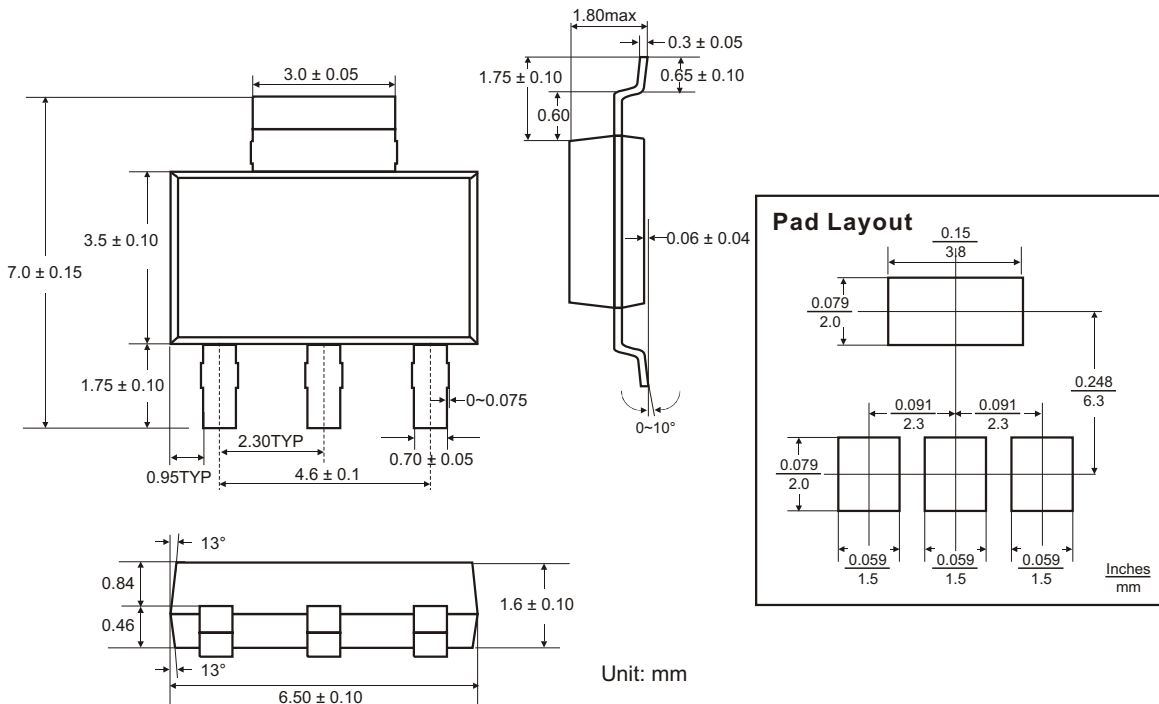


Figure 8. Short Circuit Current vs. $V_{IN} - V_{OUT}$

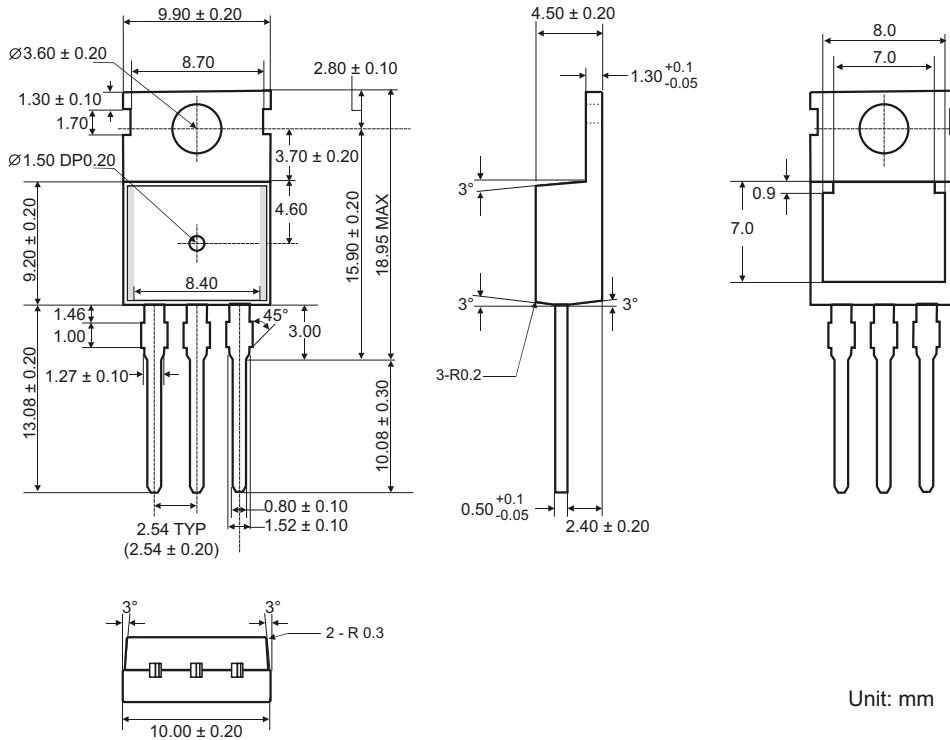
◆ TO-252-3 PACKAGE OUTLINE DIMENSIONS



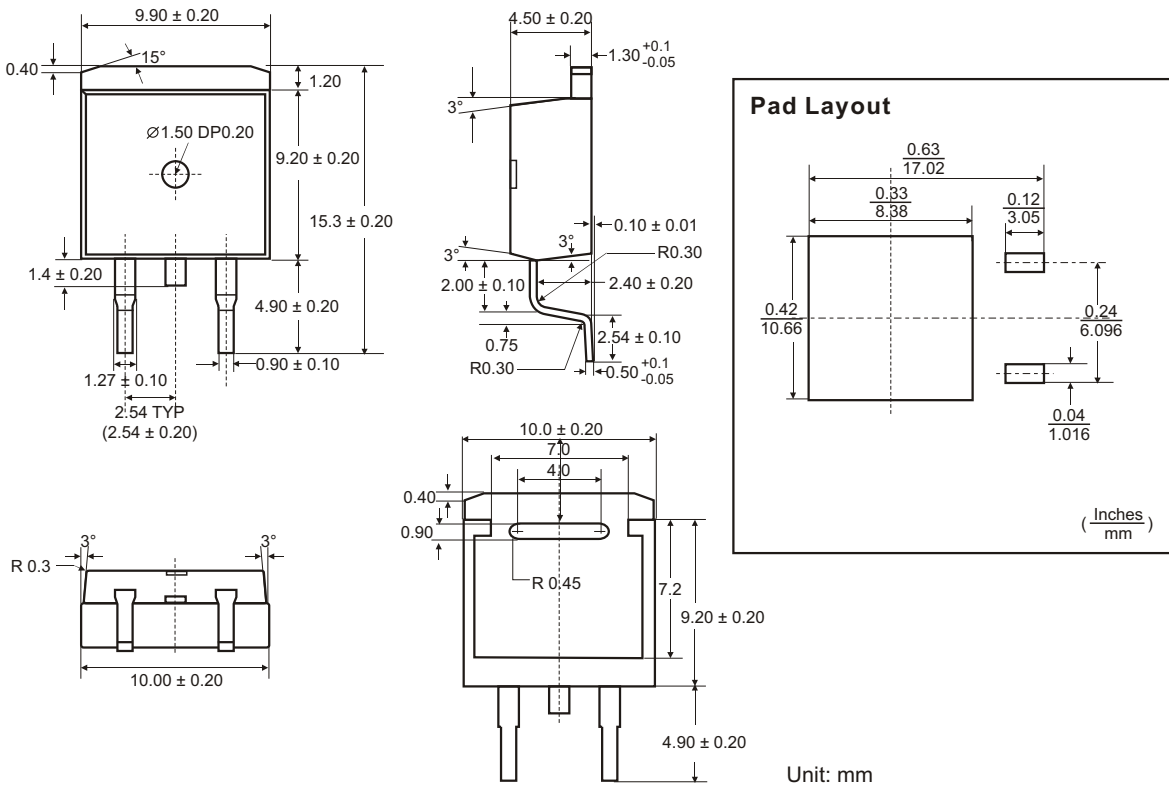
◆ SOT-223 PACKAGE OUTLINE DIMENSIONS



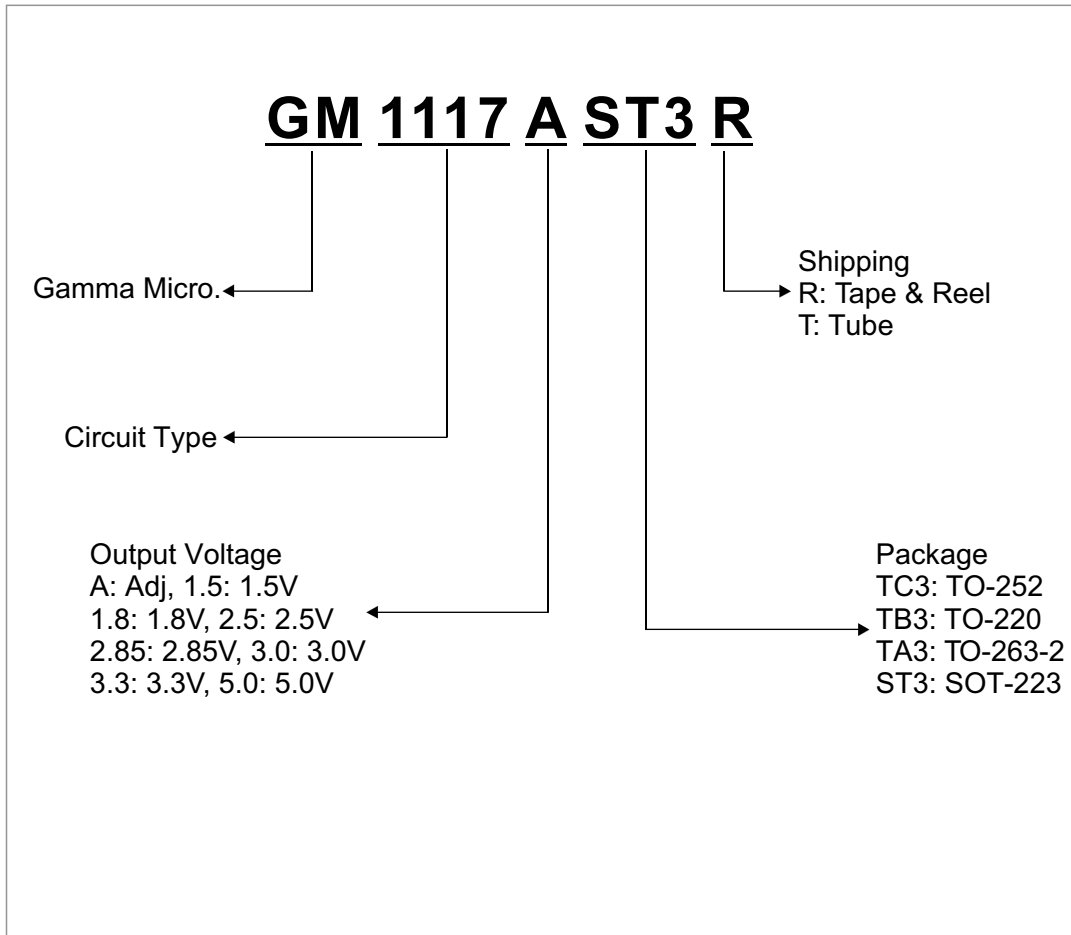
◆ TO-220 PACKAGE OUTLINE DIMENSIONS





◆ TO-263-2 PACKAGE OUTLINE DIMENSIONS



◆ ORDERING NUMBER



GAMMA Micro, , and  are registered trademarks of GAMMA MICROELECTRONICS INC. GAMMA reserves the right to make changes without further notice to any products herein. Information provided herein is alleged to be exact and consistent and this publication surpasses and replaces all information previously supplied.

GAMMA makes no warranty the suitability of its products for any particular purpose, nor does GAMMA assume any liability arising out of the application or use of any product or circuit, and specifically disclaims any and all liability including without limitation special, consequential or incidental damages.

GAMMA products are not authorized for using as critical components in life support devices or systems without prior written approval from GAMMA MICROELECTRONICS INC.



Компания «ЭлектроПласт» предлагает заключение долгосрочных отношений при поставках импортных электронных компонентов на взаимовыгодных условиях!

Наши преимущества:

- Оперативные поставки широкого спектра электронных компонентов отечественного и импортного производства напрямую от производителей и с крупнейших мировых складов;
- Поставка более 17-ти миллионов наименований электронных компонентов;
- Поставка сложных, дефицитных, либо снятых с производства позиций;
- Оперативные сроки поставки под заказ (от 5 рабочих дней);
- Экспресс доставка в любую точку России;
- Техническая поддержка проекта, помощь в подборе аналогов, поставка прототипов;
- Система менеджмента качества сертифицирована по Международному стандарту ISO 9001;
- Лицензия ФСБ на осуществление работ с использованием сведений, составляющих государственную тайну;
- Поставка специализированных компонентов (Xilinx, Altera, Analog Devices, Intersil, Interpoint, Microsemi, Aeroflex, Peregrine, Syfer, Eurofarad, Texas Instrument, Miteq, Cobham, E2V, MA-COM, Hittite, Mini-Circuits, General Dynamics и др.);

Помимо этого, одним из направлений компании «ЭлектроПласт» является направление «Источники питания». Мы предлагаем Вам помощь Конструкторского отдела:

- Подбор оптимального решения, техническое обоснование при выборе компонента;
- Подбор аналогов;
- Консультации по применению компонента;
- Поставка образцов и прототипов;
- Техническая поддержка проекта;
- Защита от снятия компонента с производства.



Как с нами связаться

Телефон: 8 (812) 309 58 32 (многоканальный)

Факс: 8 (812) 320-02-42

Электронная почта: org@eplast1.ru

Адрес: 198099, г. Санкт-Петербург, ул. Калинина, дом 2, корпус 4, литера А.