



1024K X 8 BIT SUPER LOW POWER CMOS SRAM

FEATURES

- Fast access time : 55ns
- Low power consumption:
Operating current : 30mA (TYP.)
Standby current : 6µA (TYP.) LL-version
- Single 2.7V ~ 5.5V power supply
- All inputs and outputs TTL compatible
- Fully static operation
- Tri-state output
- Data retention voltage : 1.5V (MIN.)
- Lead free and green package available
- Package : 44-pin 400 mil TSOP-II
48-ball 6mm x 8mm TFBGA

GENERAL DESCRIPTION

The AS6C8008 is a 8,388,608-bit low power CMOS static random access memory organized as 1,048,576 words by 8 bits. It is fabricated using very high performance, high reliability CMOS technology. Its standby current is stable within the range of operating temperature.

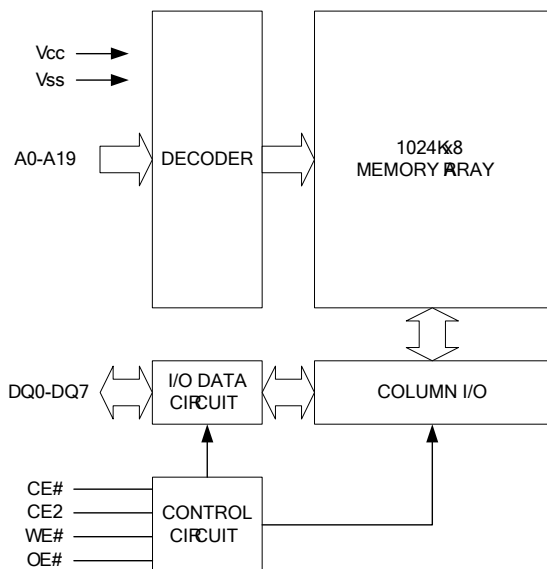
The AS6C8008 is well designed for very low power system applications, and particularly well suited for battery back-up nonvolatile memory application.

The AS6C8008 operates from a single power supply of 2.7V ~ 5.5V and all inputs and outputs are fully TTL compatible

PRODUCT FAMILY

| Product Family | Operating Temperature | Vcc Range | Speed | Power Dissipation | |
|----------------|-----------------------|------------|-------|---------------------------------|----------------------------------|
| | | | | Standby(I _{SB1} ,TYP.) | Operating(I _{CC} ,TYP.) |
| AS6C8008(I) | -40 ~ 85°C | 2.7 ~ 5.5V | 55ns | 6µA(LL) | 30mA |

FUNCTIONAL BLOCK DIAGRAM



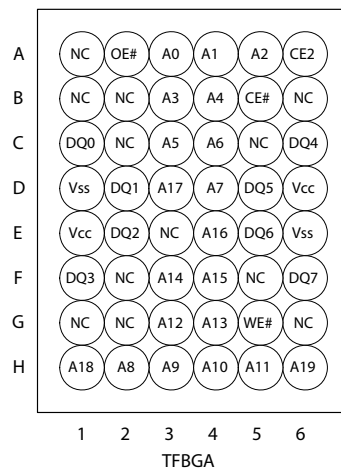
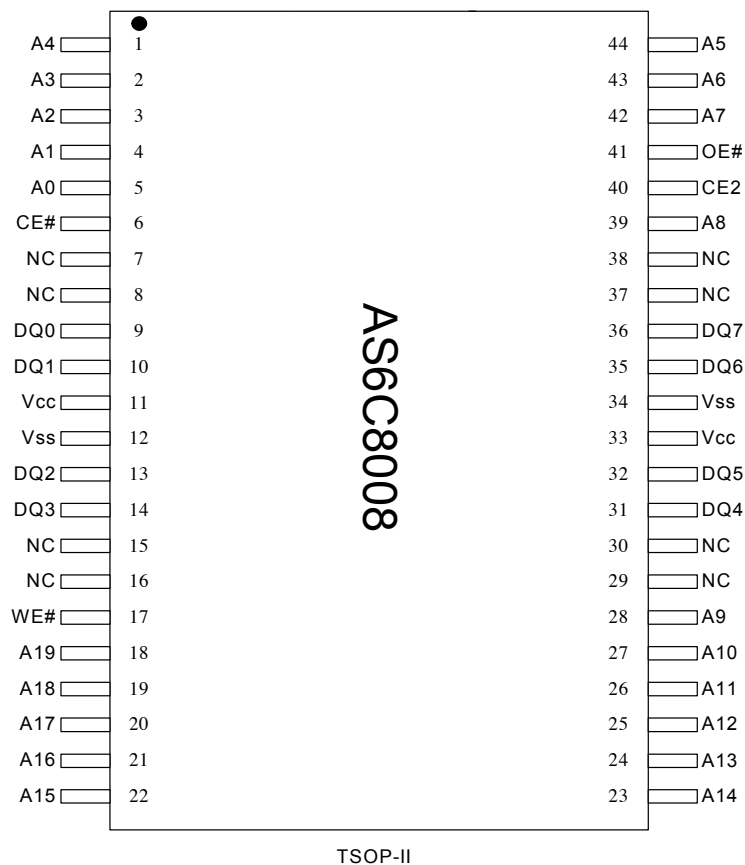
PIN DESCRIPTION

| SYMBOL | DESCRIPTION |
|-----------|---------------------|
| A0 - A19 | Address Inputs |
| DQ0 - DQ7 | Data Inputs/Outputs |
| CE#, CE2 | Chip Enable Inputs |
| WE# | Write Enable Input |
| OE# | Output Enable Input |
| Vcc | Power Supply |
| Vss | Ground |
| NC | No Connection |



1024K X 8 BIT SUPER LOW POWER CMOS SRAM

PIN CONFIGURATION





1024K X 8 BIT SUPER LOW POWER CMOS SRAM

ABSOLUTE MAXIMUM RATINGS

| PARAMETER | SYMBOL | RATING | UNIT |
|--------------------------------------------------------|---------------------|------------------------------|------|
| Voltage on V _{CC} relative to V _{SS} | V _{T1} | -0.5 to 6.5 | V |
| Voltage on any other pin relative to V _{SS} | V _{T2} | -0.5 to V _{CC} +0.5 | V |
| Operating Temperature | T _A | -40 to 85(I grade) | °C |
| Storage Temperature | T _{STG} | -65 to 150 | °C |
| Power Dissipation | P _D | 1 | W |
| DC Output Current | I _{OUT} | 50 | mA |
| Soldering Temperature (under 10 sec) | T _{SOLDER} | 260 | °C |

*Stresses greater than those listed under "Absolute Maximum Ratings" may cause permanent damage to the device. This is a stress rating only and functional operation of the device or any other conditions above those indicated in the operational sections of this specification is not implied. Exposure to the absolute maximum rating conditions for extended period may affect device reliability.

TRUTH TABLE

| MODE | CE# | CE2 | OE# | WE# | I/O OPERATION | SUPPLY CURRENT |
|----------------|-----|-----|-----|-----|------------------|------------------------------------|
| Standby | H | X | X | X | High-Z | I _{SB1} |
| | X | L | X | X | High-Z | I _{SB1} |
| Output Disable | L | H | H | H | High-Z | I _{CC} , I _{CC1} |
| Read | L | H | L | H | D _{OUT} | I _{CC} , I _{CC1} |
| Write | L | H | X | L | D _{IN} | I _{CC} , I _{CC1} |

Note: H = V_{IH}, L = V_{IL}, X = Don't care.

DC ELECTRICAL CHARACTERISTICS

| PARAMETER | SYMBOL | TEST CONDITION | MIN. | TYP. | MAX. | UNIT | |
|----------------------------------------|------------------------------|----------------------------------------------------------------------------------------------------------------------------------------------------|------|------|------|----------------------|----|
| Supply Voltage | V _{CC} | | | 2.7 | 3.0 | 5.5 | V |
| Input High Voltage | V _{IH} ¹ | | | 2.4 | - | V _{CC} +0.3 | V |
| Input Low Voltage | V _{IL} ² | | | -0.2 | - | 0.6 | V |
| Input Leakage Current | I _{LI} | V _{CC} ≥ V _{IN} ≥ V _{SS} | | -1 | - | 1 | μA |
| Output Leakage Current | I _{LO} | V _{CC} ≥ V _{OUT} ≥ V _{SS} Output Disabled | | -1 | - | 1 | μA |
| Output High Voltage | V _{OH} | I _{OH} = -1mA | | 2.4 | 2.7 | - | V |
| Output Low Voltage | V _{OL} | I _{OL} = 2mA | | - | - | 0.4 | V |
| Average Operating Power supply Current | I _{CC} | Cycle time = Min. CE# = V _{IL} and CE2 = V _{IH} I _{I/O} = 0mA Other pins at V _{IL} or V _{IH} | -55 | - | 30 | 60 | mA |
| | I _{CC1} | Cycle time = 1μs CE# ≤ 0.2V and CE2 ≥ V _{CC} -0.2V I _{I/O} = 0mA Other pins at 0.2V or V _{CC} -0.2V | | - | 4 | 12 | mA |
| Standby Power Supply Current | I _{SB1} | CE# ≥ V _{CC} -0.2V or CE2 ≤ 0.2V Other pins at 0.2V or V _{CC} -0.2V | | - | 6 | 50 | μA |



1024K X 8 BIT SUPER LOW POWER CMOS SRAM

Notes:

1. $V_{IH(max)} = V_{CC} + 3.0V$ for pulse width less than 10ns.
2. $V_{IL(min)} = V_{SS} - 3.0V$ for pulse width less than 10ns.
3. Over/Undershoot specifications are characterized, not 100% tested.
4. Typical values are included for reference only and are not guaranteed or tested.
Typical values are measured at $V_{CC} = V_{CC(TYP.)}$ and $T_A = 25^\circ C$

CAPACITANCE ($T_A = 25^\circ C$, $f = 1.0MHz$)

| PARAMETER | SYMBOL | MIN. | MAX | UNIT |
|--------------------------|-----------|------|-----|------|
| Input Capacitance | C_{IN} | - | 6 | pF |
| Input/Output Capacitance | $C_{I/O}$ | - | 8 | pF |

Note : These parameters are guaranteed by device characterization, but not production tested.

AC TEST CONDITIONS

| | |
|------------------------------------------|--------------------------------------------------|
| Input Pulse Levels | 0.2V to $V_{CC} - 0.2V$ |
| Input Rise and Fall Times | 3ns |
| Input and Output Timing Reference Levels | 1.5V |
| Output Load | $C_L = 30pF + 1TTL$, $I_{OH}/I_{OL} = -1mA/2mA$ |

AC ELECTRICAL CHARACTERISTICS**(1) READ CYCLE**

| PARAMETER | SYM. | AS6C8008-55 | | UNIT |
|------------------------------------|-------------|-------------|------|------|
| | | MIN. | MAX. | |
| Read Cycle Time | t_{RC} | 55 | - | ns |
| Address Access Time | t_{AA} | - | 55 | ns |
| Chip Enable Access Time | t_{ACE} | - | 55 | ns |
| Output Enable Access Time | t_{OE} | - | 30 | ns |
| Chip Enable to Output in Low-Z | t_{CLZ}^* | 10 | - | ns |
| Output Enable to Output in Low-Z | t_{OLZ}^* | 5 | - | ns |
| Chip Disable to Output in High-Z | t_{CHZ}^* | - | 20 | ns |
| Output Disable to Output in High-Z | t_{OHZ}^* | - | 20 | ns |
| Output Hold from Address Change | t_{OH} | 10 | - | ns |

(2) WRITE CYCLE

| PARAMETER | SYM. | AS6C8008-55 | | UNIT |
|----------------------------------|-------------|-------------|------|------|
| | | MIN. | MAX. | |
| Write Cycle Time | t_{WC} | 55 | - | ns |
| Address Valid to End of Write | t_{AW} | 50 | - | ns |
| Chip Enable to End of Write | t_{CW} | 50 | - | ns |
| Address Set-up Time | t_{AS} | 0 | - | ns |
| Write Pulse Width | t_{WP} | 45 | - | ns |
| Write Recovery Time | t_{WR} | 0 | - | ns |
| Data to Write Time Overlap | t_{DW} | 25 | - | ns |
| Data Hold from End of Write Time | t_{DH} | 0 | - | ns |
| Output Active from End of Write | t_{OW}^* | 5 | - | ns |
| Write to Output in High-Z | t_{WHZ}^* | - | 20 | ns |

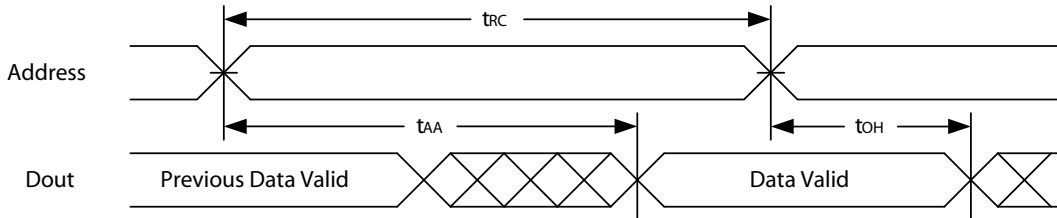
*These parameters are guaranteed by device characterization, but not production tested.



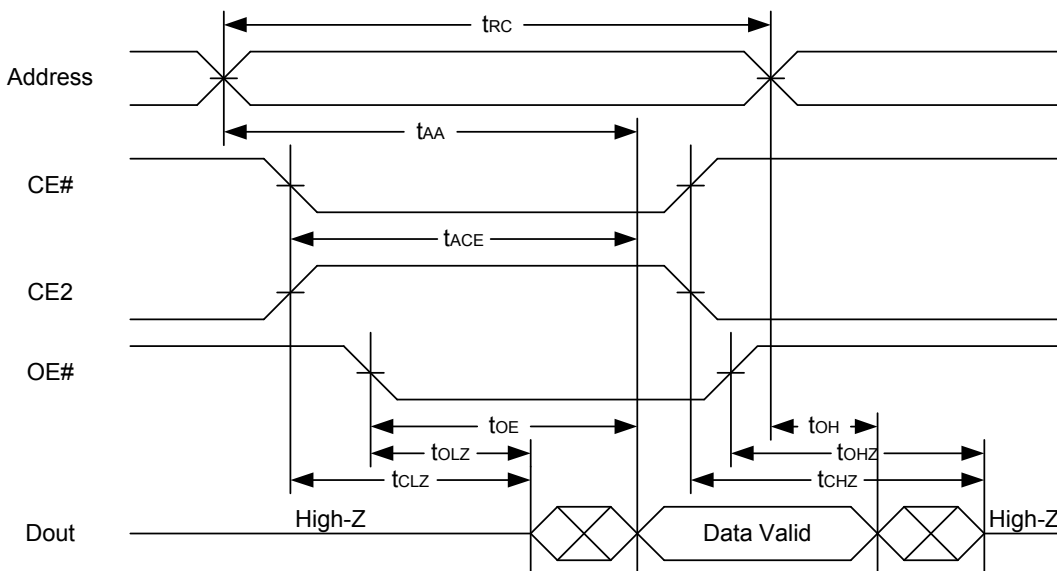
1024K X 8 BIT SUPER LOW POWER CMOS SRAM

TIMING WAVEFORMS

READ CYCLE 1 (Address Controlled) (1,2)



READ CYCLE 2 (CE# and CE2 and OE# Controlled) (1,3,4,5)



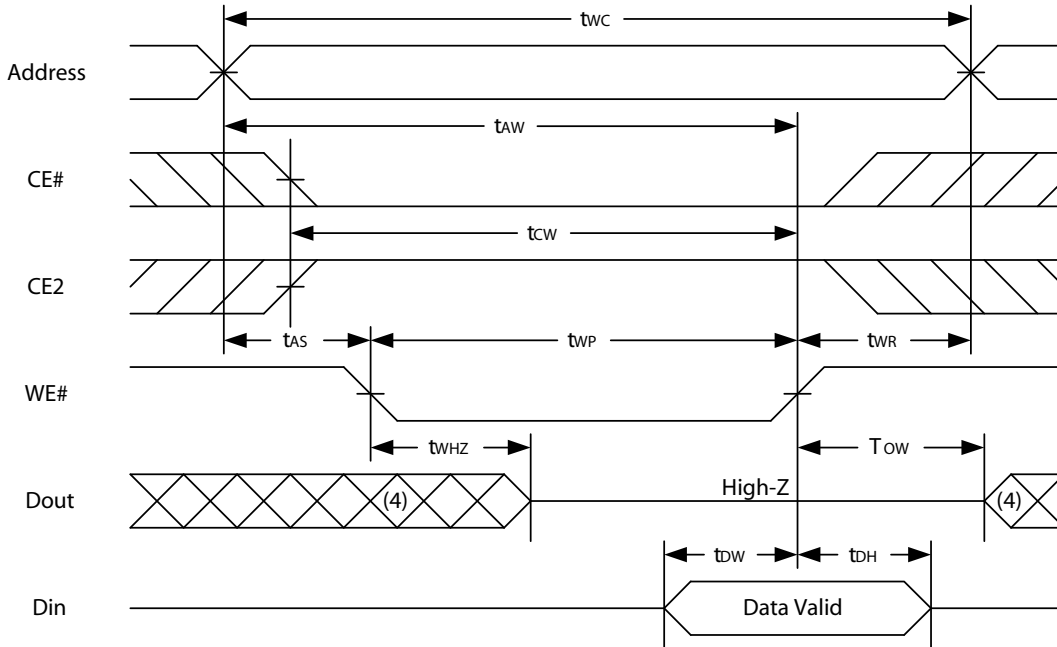
Notes :

1. WE# is high for read cycle.
2. Device is continuously selected OE# = low, CE# = low, CE2 = high.
3. Address must be valid prior to or coincident with CE# = low, CE2 = high; otherwise tAA is the limiting parameter.
4. tCLZ, tOLZ, tCHZ and tOHZ are specified with CL = 5pF. Transition is measured ±500mV from steady state.
5. At any given temperature and voltage condition, tCHZ is less than tCLZ, tOHZ is less than tOLZ.

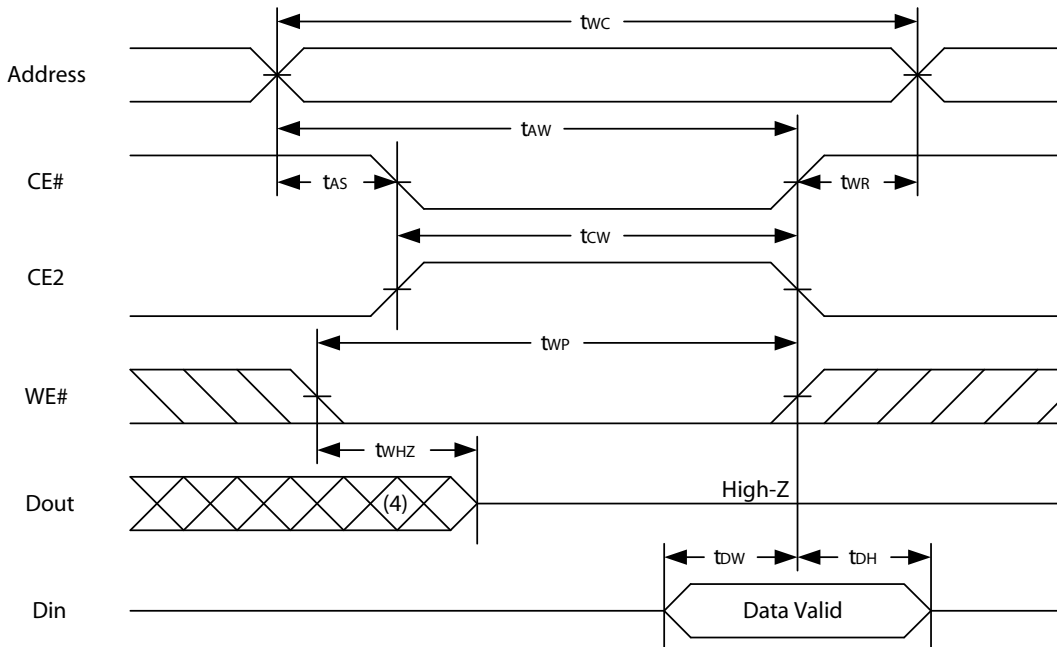


1024K X 8 BIT SUPER LOW POWER CMOS SRAM

WRITE CYCLE 1 (WE# Controlled) (1,2,3,5,6)



WRITE CYCLE 2 (CE# and CE2 Controlled) (1,2,5,6)



Notes :

1. WE#, CE# must be high or CE2 must be low during all address transitions.
2. A write occurs during the overlap of a low CE#, high CE2, low WE#.
3. During a WE#-controlled write cycle with OE# low, t_{WP} must be greater than $t_{WHZ} + t_{DW}$ to allow the drivers to turn off and data to be placed on the bus.
4. During this period, I/O pins are in the output state, and input signals must not be applied.
5. If the CE#low transition and CE2 high transition occurs simultaneously with or after WE# low transition, the outputs remain in a high impedance state.
6. t_{OW} and t_{WHZ} are specified with $C_L = 5pF$. Transition is measured $\pm 500mV$ from steady state.



1024K X 8 BIT SUPER LOW POWER CMOS SRAM

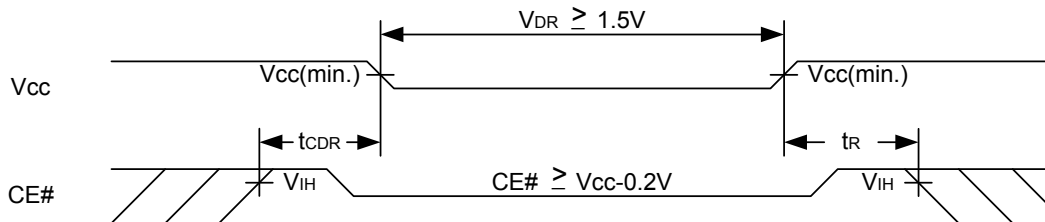
DATA RETENTION CHARACTERISTICS

| PARAMETER | SYMBOL | TEST CONDITION | MIN. | TYP. | MAX. | UNIT |
|-------------------------------------|------------------|----------------------------------------------------------------------------------------------------------------------|------------------|------|------|------|
| V _{CC} for Data Retention | V _{DR} | CE# ≥ V _{CC} - 0.2V or CE2 ≤ 0.2V | 1.5 | - | 5.5 | V |
| Data Retention Current | I _{DR} | V _{CC} = 1.5V CE# ≥ V _{CC} - 0.2V or CE2 ≤ 0.2V Other pins at 0.2V or V _{CC} - 0.2V | - | 4 | 50 | μA |
| Chip Disable to Data Retention Time | t _{CDR} | See Data Retention Waveforms (below) | 0 | - | - | ns |
| Recovery Time | t _R | | t _{RC*} | - | - | ns |

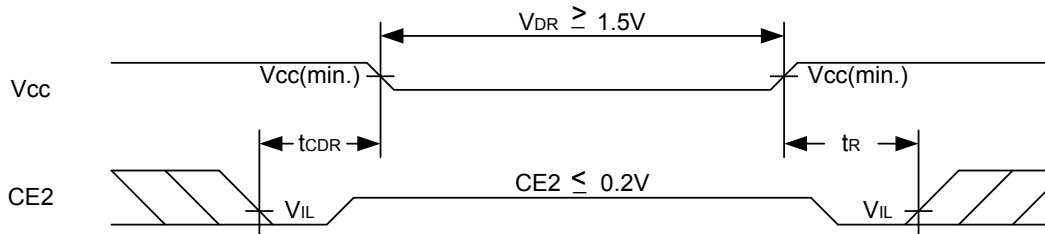
t_{RC*} = Read Cycle Time

DATA RETENTION WAVEFORM

Low V_{CC} Data Retention Waveform (1) (CE# controlled)



Low V_{CC} Data Retention Waveform (2) (CE2 controlled)

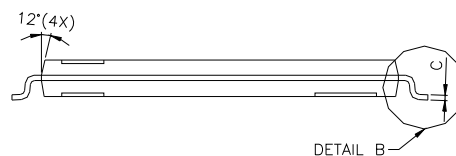
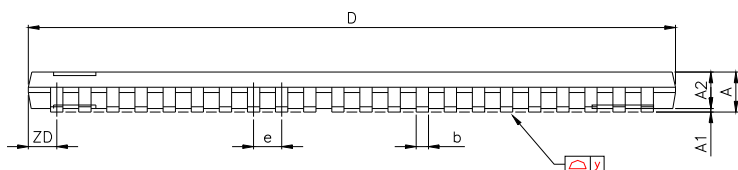
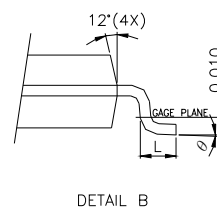
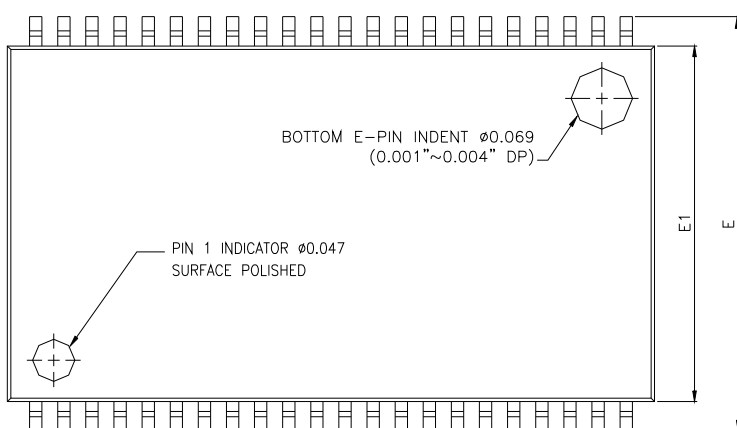




1024K X 8 BIT SUPER LOW POWER CMOS SRAM

PACKAGE OUTLINE DIMENSION

44-pin 400mil TSOP-II Package Outline Dimension

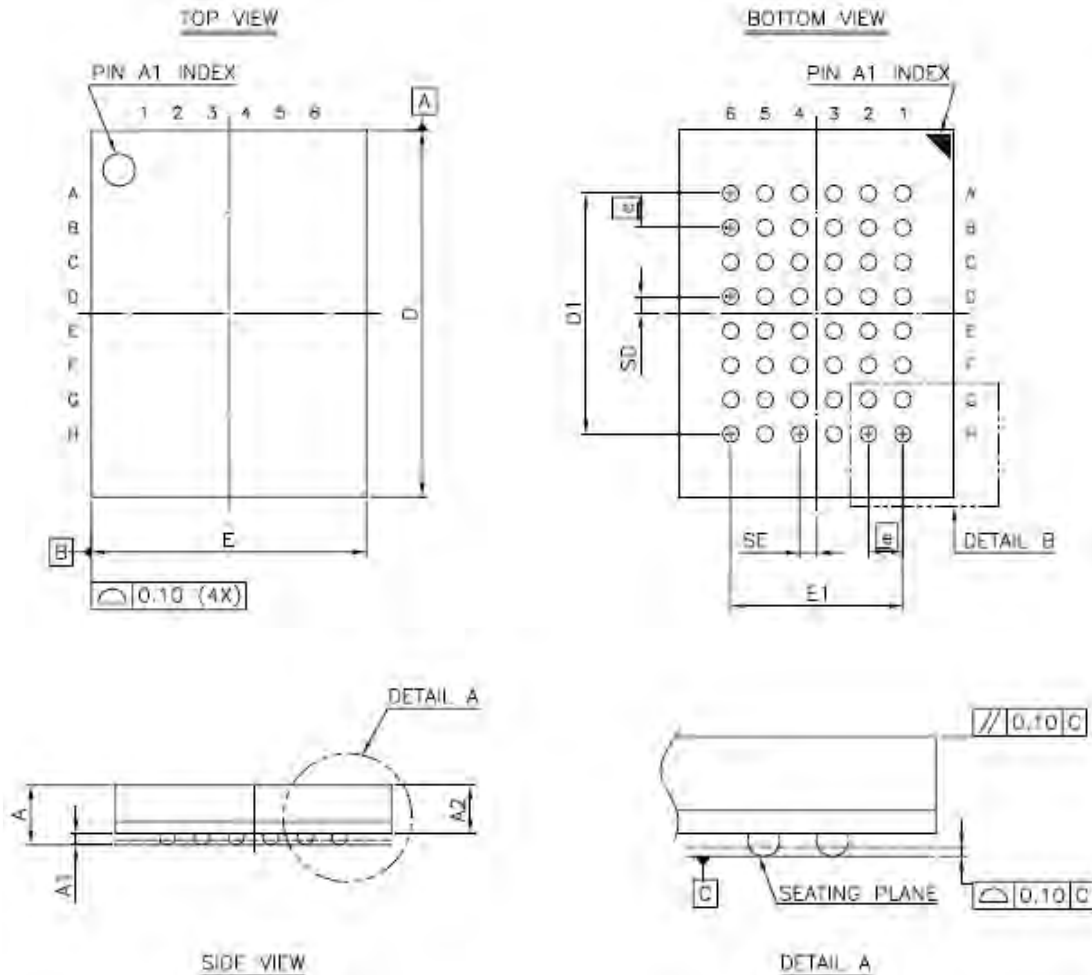


| SYMBOLS | DIMENSIONS IN MILLIMETERS | | | DIMENSIONS IN MILS | | |
|----------|---------------------------|--------|--------|--------------------|------|------|
| | MIN. | NOM. | MAX. | MIN. | NOM. | MAX. |
| A | - | - | 1.20 | - | - | 47.2 |
| A1 | 0.05 | 0.10 | 0.15 | 2.0 | 3.9 | 5.9 |
| A2 | 0.95 | 1.00 | 1.05 | 37.4 | 39.4 | 41.3 |
| b | 0.30 | - | 0.45 | 11.8 | - | 17.7 |
| c | 0.12 | - | 0.21 | 4.7 | - | 8.3 |
| D | 18.212 | 18.415 | 18.618 | 717 | 725 | 733 |
| E | 11.506 | 11.760 | 12.014 | 453 | 463 | 473 |
| E1 | 9.957 | 10.160 | 10.363 | 392 | 400 | 408 |
| e | - | 0.800 | - | - | 31.5 | - |
| L | 0.40 | 0.50 | 0.60 | 15.7 | 19.7 | 23.6 |
| ZD | - | 0.805 | - | - | 31.7 | - |
| y | - | - | 0.076 | - | - | 3 |
| θ | 0° | 3° | 6° | 0° | 3° | 6° |

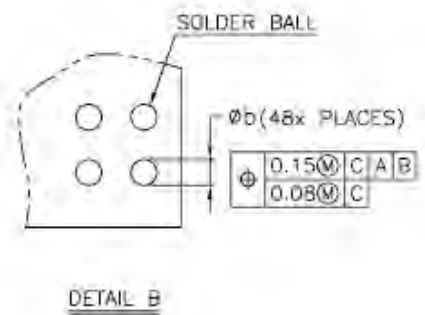


1024K X 8 BIT SUPER LOW POWER CMOS SRAM

48-ball 6mm x 8mm TFBGA Package Outline Dimension



| SYM. | DIMENSION (mm) | | | DIMENSION (inch) | | |
|------|----------------|------|------|------------------|-------|-------|
| | MIN. | NOM. | MAX. | MIN. | NOM. | MAX. |
| A | — | — | 1.40 | — | — | 0.055 |
| A1 | 0.20 | 0.25 | 0.30 | 0.008 | 0.010 | 0.012 |
| A2 | — | — | 1.05 | — | — | 0.041 |
| b | 0.30 | 0.35 | 0.40 | 0.012 | 0.014 | 0.016 |
| D | 7.95 | 8.00 | 8.05 | 0.313 | 0.315 | 0.317 |
| D1 | 5.25 BSC | | | 0.207 BSC | | |
| E | 5.95 | 6.00 | 6.05 | 0.234 | 0.236 | 0.238 |
| E1 | 3.75 BSC | | | 0.148 BSC | | |
| SE | 0.375 TYP | | | 0.015 TYP | | |
| SD | 0.375 TYP | | | 0.015 TYP | | |
| ⊠ | 0.75 BSC | | | 0.030 BSC | | |



NOTE:
 1. CONTROLLING DIMENSION : MILLIMETER.
 2. REFERENCE DOCUMENT : JEDEC MO-207.



1024K X 8 BIT LOW POWER CMOS SRAM

ORDERING INFORMATION

| Alliance | Organization | VCC Range | Package | Operating Temp | Speed ns |
|----------------|--------------|------------|---------------|---------------------------|----------|
| AS6C8008-55ZIN | 1024K x 8 | 2.7 - 5.5V | 44pin TSOP II | Industrial ~ -40 C - 85 C | 55 |
| AS6C8008-55BIN | 1024K x 8 | 2.7 - 5.5V | 48ball TFBGA | Industrial ~ -40 C - 85 C | 55 |

PART NUMBERING SYSTEM

| AS6C | 8008 | -55 | X | X | N |
|---------------------------|--------------------------------------|----------------|------------------------------------------------------|--------------------------------------------------------|-----------------------------------------|
| low power S RAM prefix | Device Number 380 = 8M 08 = x8 | Access Time | Package Option Z - 44pin TSOP B = 48ball TFBGA | Temperature Range I = Industrial (-40 to + 85 C) | N = Lead Free RoHS compliant part |



1024K X 8 BIT LOW POWER CMOS SRAM



Alliance Memory, Inc
511 Taylor Way,
San Carlos, CA 94070, USA
Phone: 650-610-6800
Fax: 650-620-9211

www.alliancememory.com

Copyright © Alliance Memory
All Rights Reserved

© Copyright 2007 Alliance Memory, Inc. All rights reserved. Our three-point logo, our name and Intelliwatt are trademarks or registered trademarks of Alliance. All other brand and product names may be the trademarks of their respective companies. Alliance reserves the right to make changes to this document and its products at any time without notice. Alliance assumes no responsibility for any errors that may appear in this document. The data contained herein represents Alliance's best data and/or estimates at the time of issuance. Alliance reserves the right to change or correct this data at anytime, without notice. If the product described herein is under development, significant changes to these specifications are possible. The information in this product data sheet is intended to be general descriptive information for potential customers and users, and is not intended to operate as, or provide, any guarantee or warranty to any user or customer. Alliance does not assume any responsibility or liability arising out of the application or use of any product described herein, and disclaims any express or implied warranties related to the sale and/or use of Alliance products including liability or warranties related to fitness for a particular purpose, merchantability, or infringement of any intellectual property rights, except as expressly agreed to in Alliance's Terms and Conditions of Sale (which are available from Alliance). All sales of Alliance products are made exclusively according to Alliance's Terms and Conditions of Sale. The purchase of products from Alliance does not convey a license under any patent rights, copyrights; mask works rights, trademarks, or any other intellectual property rights of Alliance or third parties. Alliance does not authorize its products for use as critical components in life-supporting systems where a malfunction or failure may reasonably be expected to result in significant injury to the user, and the inclusion of Alliance products in such life-supporting systems implies that the manufacturer assumes all risk of such use and agrees to indemnify Alliance against all claims arising from such use.



Компания «ЭлектроПласт» предлагает заключение долгосрочных отношений при поставках импортных электронных компонентов на взаимовыгодных условиях!

Наши преимущества:

- Оперативные поставки широкого спектра электронных компонентов отечественного и импортного производства напрямую от производителей и с крупнейших мировых складов;
- Поставка более 17-ти миллионов наименований электронных компонентов;
- Поставка сложных, дефицитных, либо снятых с производства позиций;
- Оперативные сроки поставки под заказ (от 5 рабочих дней);
- Экспресс доставка в любую точку России;
- Техническая поддержка проекта, помощь в подборе аналогов, поставка прототипов;
- Система менеджмента качества сертифицирована по Международному стандарту ISO 9001;
- Лицензия ФСБ на осуществление работ с использованием сведений, составляющих государственную тайну;
- Поставка специализированных компонентов (Xilinx, Altera, Analog Devices, Intersil, Interpoint, Microsemi, Aeroflex, Peregrine, Syfer, Eurofarad, Texas Instrument, Miteq, Cobham, E2V, MA-COM, Hittite, Mini-Circuits, General Dynamics и др.);

Помимо этого, одним из направлений компании «ЭлектроПласт» является направление «Источники питания». Мы предлагаем Вам помощь Конструкторского отдела:

- Подбор оптимального решения, техническое обоснование при выборе компонента;
- Подбор аналогов;
- Консультации по применению компонента;
- Поставка образцов и прототипов;
- Техническая поддержка проекта;
- Защита от снятия компонента с производства.



Как с нами связаться

Телефон: 8 (812) 309 58 32 (многоканальный)

Факс: 8 (812) 320-02-42

Электронная почта: org@eplast1.ru

Адрес: 198099, г. Санкт-Петербург, ул. Калинина, дом 2, корпус 4, литера А.