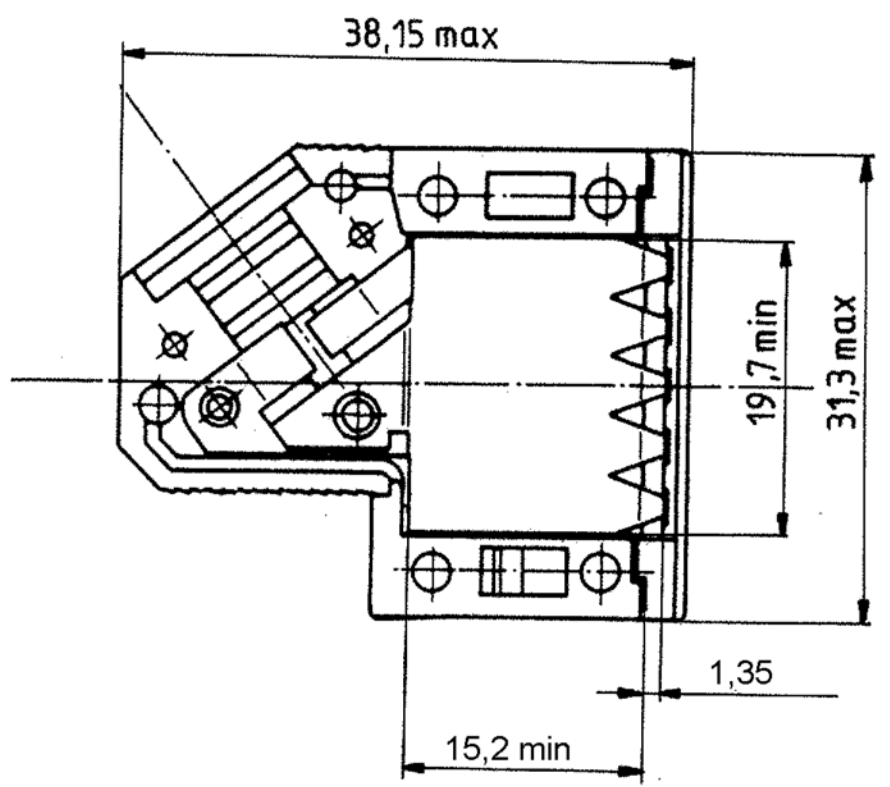


Sin nuestra expresa autorización, queda terminantemente prohibida la reproducción total o parcial de este documento, así como su uso indebido y/o su exhibición o comunicación a terceros. De los infractores se exigirá el correspondiente resarcimiento de daños y perjuicios. Se reserva todos los derechos para el caso de la concesión de patente de invención o el registro de Modelo Industrial.

Weitergabe sowie Vervielfältigung dieser Unterlage, Verwertung und Mitteilung ihres Inhalts sind nicht gestattet, soweit nicht ausdrücklich zugestanden. Zuwiderhandlungen verpflichten zu Schadenersatz. Alle Rechte für den Fall der Patenterteilung oder GM-Eintragung vorbehalten.

Copying of this document, and giving it to others and the use or communication of the contents thereof, are forbidden without express authority. Offenders are liable to the payment of damages. All rights are reserved in the event of the grant of a patent or the registration of a utility model or design.



1 FOR PLASTIC PARTS (POS. 1 AND 2):
 - LENGTHS: DIN 16901/130,
 - ANGLES, FORMS: DIN 7168-m, R,
 FOR METAL PARTS (POS. 3 AND 4): DIN 7168-m,
 FOR SCREWS (POS. 5 AND 6): DIN 7981 F-H.

P/N 9 contacts version: V42254-A6000-G*09

| | | |
|--|---|--|
| | Maßstab | |
| | | |
| | Datum: 30.08.88 Bearb: De Petter Geor: PD Com P&SE Norm: | |
| | D-Sub housing shielded 9 contacts | |

| | | | |
|------|---------------|---------|------|
| D | ECO-12-017358 | 22JAN13 | CWR |
| C | ECO-12-008266 | 28AUG12 | CWR |
| Zust | Mitteilung | Datum | Name |

TOLERANCES UNLESS OTHERWISE SPECIFIED:

1

V42254-A6000-G***-*-27

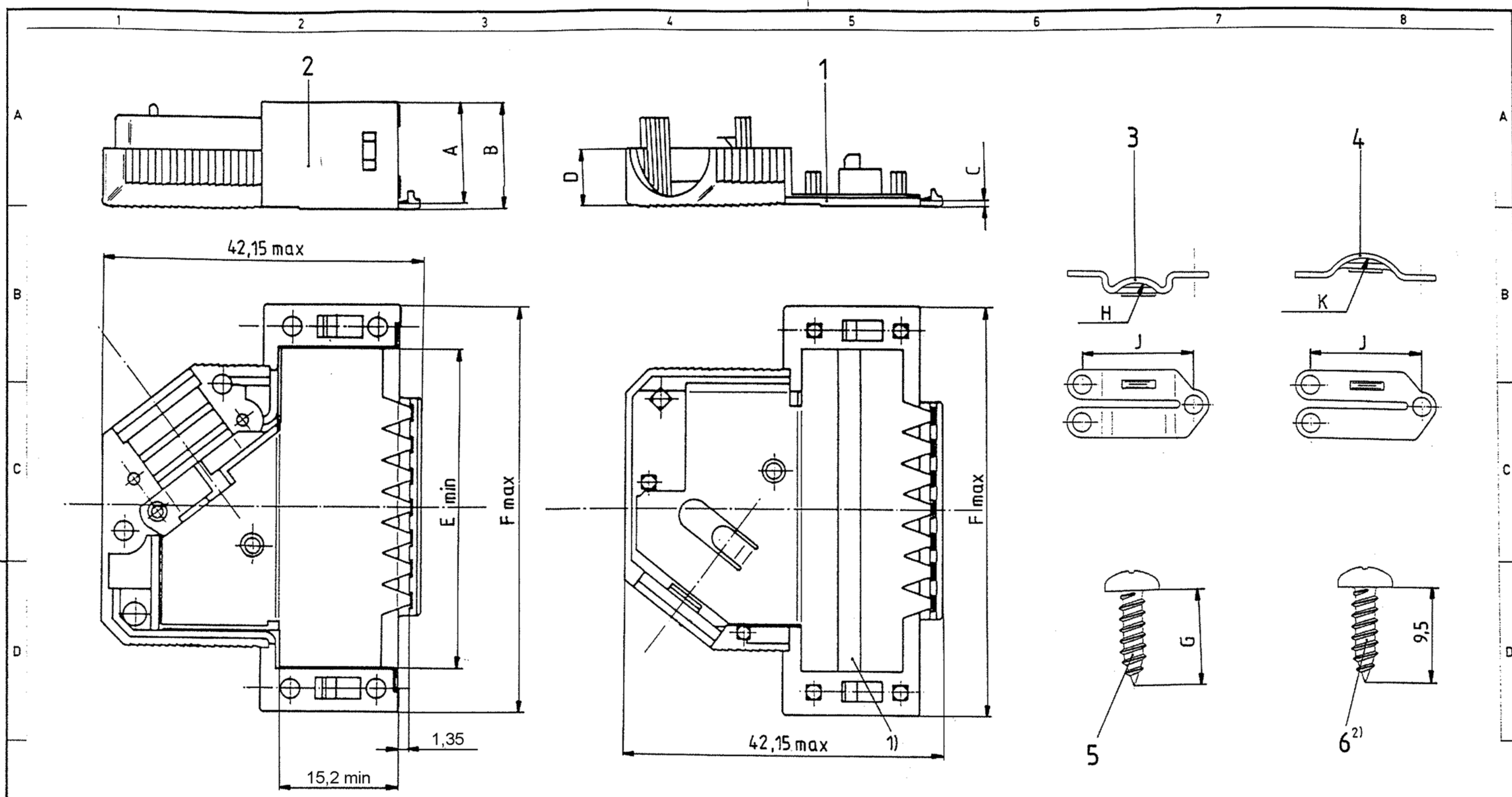
customer drawing number: C 1393738-1

page 1+ of 6

Si esta versión autorizada, queda automáticamente prohibida la reproducción total o parcial de este documento, así como su uso indebido y/o su exhibición o comunicación a terceros. De los infractores se exigirá el correspondiente resarcimiento de daños y perjuicios. Se reserva todos los derechos para el caso de la concesión de patente de invención o el registro de Modelo Industrial.

Weitergabe sowie Vervielfältigung dieses Unterbauelementes und Mitteilung ihres Inhalts ist nicht gestattet, soweit nicht ausdrücklich zugestanden. Zuwiderhandlung kann strafrechtliche und zivilrechtliche Ansprüche zur Schadensersatzung auslösen. Alle Rechte vorbehalten.

Copying of this document and giving it to others and the use or communication of the contents thereof are forbidden without express authority. Offenders are liable to the payment of damages. All rights are reserved in the event of the grant of a patent or the registration of a utility model or design.



| housing | | dimension | | | | | | | | | |
|---------------|-----------------|-----------|------|-----|-----|-------|-------|-----|------|------|------|
| P/N | No. of contacts | A | B | C | D | E | F | G | H | J | K |
| V42254-A6000- | | | | | | | | | | | |
| G × 15 | 15 | | | | | 28 | 39,62 | | R3 | 14,5 | R4,5 |
| G × 25 | 25 | 13 | 14 | 1 | 7,5 | 41,8 | 53,52 | 6,5 | R4 | 16 | R5,5 |
| G × 37 | 37 | | | | | 58,25 | 69,8 | | | | |
| G × 50 | 50 | 16 | 17,5 | 1,5 | 9,5 | 55,78 | 67,41 | 9,5 | R5,5 | 20,6 | R7 |

2) only for the 37 contacts version
 1) tape only for the 15 to 37 contacts versions
 drawn is the 25 contacts version

| | | | | | |
|------|------------|---|------|---|--|
| | |  | | Maßstab | |
| | |  | | TE Connectivity | |
| | | Datum: 30.08.88 Bearb: De Petter Gepr: PD Com P&SE Norm: | | D-Sub housing shielded 15 to 50 contacts | |
| | | TOLERANCES UNLESS OTHERWISE SPECIFIED: | | V42254-A6000-G***-*-27 | |
| | | D SEE SHEET 1 | | page 2+ | |
| | |  | | customer drawing number: C 1393738-1 | |
| Zust | Mitteilung | Datum | Name | | |

V 4 2 2 5 4 - A 6 0 0 * - G * * *

Housing type

G plastic housing, shielded

Marking and colour of the housing

- 1 TE-marking, grey
- 2 without marking, grey
- 3 TE-marking, black
- 4 without marking, black

| Packaging | wire diameter | No. of contacts - housing size | | | | | | |
|-----------|---------------|--------------------------------|-------|-------|---|--------|----|------------------------------|
| | | 0 | 1 | 2 | 3 | 4 | | |
| set 1) | 9-14,5 | 4-8 | 4-6 | 6-8 | | 4-8 | 09 | 9 contact - housing size 1 |
| 200 2) | 9-12 | 5-10 | 5-8 | 8-10 | | 5-10 | 15 | 15 contacts - housing size 2 |
| 200 2) | 12-14,5 | 5-11 | 5-8,5 | 8,5-1 | | 5-11 | 25 | 25 contacts - housing size 3 |
| 200 2) | | 6-11 | 6-8 | 10-11 | | 6-11 | 37 | 37 contacts - housing size 4 |
| 200 2) | 9-14,5 | | | | | 9-14,5 | 50 | 50 contacts - housing size 5 |

1) per set, in blister
 - 9 and 15 contacts : 25
 - 25, 37 and 50 contacts : 15
 2) loose pieces, in cardboard : 200



TE Connectivity



LOC DIMENSIONS IN MM

SCALE WEIGHT

MATERIAL

DATE 30.08.88

NAME De Petter

DEP. PD Com P&SE

EC

TOLERANCE UNLESS SPECIFIED OTHERWISE

NAME D-Sub Housing

shielded

DWG NO. SHT. 3+

V42254-A6000-G***-*-27

REV. CHANGE ORDER DATE APP. customer drawing number: C 1393738-1 OF 6

THIS INFORMATION IS CONFIDENTIAL AND PROPRIETARY TO TYCO ELECTRONICS CORPORATION AND ITS WORLDWIDE SUBSIDIARIES AND AFFILIATES. IT MAY NOT BE DISCLOSED TO ANYONE, OTHER THAN TYCO ELECTRONICS PERSONEL, WITHOUT WRITTEN AUTHORIZATION FROM TYCO ELECTRONICS CORPORATION, HARRISBURG, PENNSYLVANIA USA.

PROPRIETARY:

1

2

3

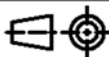
4

Active part numbers. Contact
Tyco Electronics for
other configuration availability

| Old Part Number | TE Part Number | |
|-------------------|----------------------|---------------------------|
| V42254-A6000-G109 | 1393738-1 | |
| V42254-A6000-G115 | 1393738-2 | |
| V42254-A6000-G125 | 1393738-3 | |
| V42254-A6000-G137 | 1393738-4 | |
| V42254-A6000-G150 | 1393738-5 | |
| V42254-A6000-G209 | 1393738-6 | OBSOLETE |
| V42254-A6000-G309 | 1393738-7 | OBSOLETE |
| V42254-A6000-G315 | 1393738-8 | OBSOLETE |
| V42254-A6000-G325 | 1393738-9 | SUPERSEDED BY 1393738-1 |
| V42254-A6001-G109 | 4-1393738-2 | OBSOLETE |
| V42254-A6001-G125 | 4-1393738-4 | SUPERSEDED BY 6-1393738-1 |
| V42254-A6001-G309 | 4-1393738-5 | SUPERSEDED BY 1-1393739-9 |
| V42254-A6001-G315 | 4-1393738-6 | SUPERSEDED BY 6-1393738-7 |
| V42254-A6002-G109 | 5-1393738-0 | OBSOLETE |
| V42254-A6002-G125 | 5-1393738-2 | SUPERSEDED BY 6-1393738-1 |
| V42254-A6003-G137 | 5-1393738-7 | SUPERSEDED BY 6-1393738-2 |
| V42254-A6004-G109 | 5-1393738-9 | |
| V42254-A6004-G115 | 6-1393738-0 | |
| V42254-A6004-G125 | 6-1393738-1 | |
| V42254-A6004-G137 | 6-1393738-2 | |
| V42254-A6004-G150 | 6-1393738-3 | |
| V42254-A6004-G209 | 6-1393738-4 | SUPERSEDED BY 5-1393738-9 |
| V42254-A6004-G215 | 6-1393738-5 | OBSOLETE |
| V42254-A6004-G225 | 6-1393738-6 | OBSOLETE |
| V42254-A6004-G309 | 1-1393739-9 | OBSOLETE |
| V42254-A6004-G315 | 6-1393738-7 | OBSOLETE |
| V42254-A6004-G325 | 2-1393739-0 | OBSOLETE |
| V42254-A6004-G337 | 2-1393739-1 | SUPERSEDED BY 6-1393738-2 |
| V42254-A6004-G350 | 2-1393739-2 | SUPERSEDED BY 6-1393738-3 |
| V42254-A6004-G409 | 6-1393738-8 | OBSOLETE |
| V42254-A6004-G415 | 6-1393738-9 | OBSOLETE |
| V42254-A6004-G437 | 7-1393738-1 | OBSOLETE |



TE Connectivity


 LOC
GW DIMENSIONS
IN MM

SCALE

WEIGHT

MATERIAL

DATE 30.08.88

NAME De Petter

DEP. PD Com P&SE

EC

TOLERANCE UNLESS
SPECIFIED OTHERWISE

NAME

D-Sub Housing

shielded

DWG NO.

V42254-A6000-G***-*-27

SHT. 4+

D SEE SHEET 1.

REV. CHANGE ORDER

DATE

APP.

Customer Drawing: C 1393738-1

OF 6

1

2

3

4

 THIS INFORMATION IS CONFIDENTIAL AND PROPRIETARY TO TYCO ELECTRONICS CORPORATION AND ITS WORLDWIDE
 SUBSIDIARIES AND AFFILIATES. IT MAY NOT BE DISCLOSED TO ANYONE, OTHER THAN TYCO ELECTRONICS PERSONNEL,
 WITHOUT WRITTEN AUTHORIZATION FROM TYCO ELECTRONICS CORPORATION, HARRISBURG, PENNSYLVANIA USA.

PROPRIETARY:

PROPRIETARY: THIS INFORMATION IS CONFIDENTIAL AND PROPRIETARY TO TYCO ELECTRONICS CORPORATION AND ITS WORLDWIDE SUBSIDIARIES AND AFFILIATES. IT MAY NOT BE DISCLOSED TO ANYONE, OTHER THAN TYCO ELECTRONICS PERSONNEL, WITHOUT WRITTEN AUTHORIZATION FROM TYCO ELECTRONICS CORPORATION, HARRISBURG PENNSYLVANIA USA

V 4 2 2 5 4 - A 6 1 * * - L 1

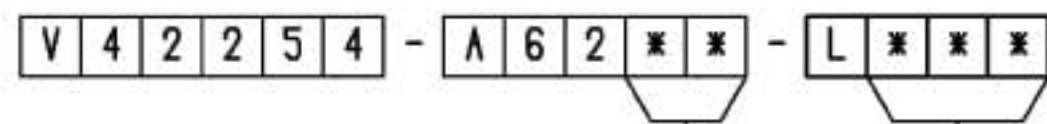
| Technical data | | |
|----------------|--|---------------------------------------|
| | contact tube outer diameter ±0.1 | for shield braiding outer diameter |
| 04 | 4 | 2.0 to 2.7 |
| 05 | 5 | 2.8 to 3.7 |
| 06 | 6 | 3.8 to 4.7 |
| 07 | 7 | 4.8 to 5.7 |
| 08 | 8 | 5.8 to 6.7 |
| 09 | 9 | 6.8 to 7.7 |
| 10 | 10 | 7.8 to 8.7 |
| 11 | 11 | 8.8 to 9.7 |
| 12 | 12 | 9.8 to 10.7 |
| 13 | 13 | 10.8 to 11.7 |
| 14 | 14 | 11.8 to 12.7 |
| 15 | 15 | 12.8 to 13.7 |

Active part numbers. Contact Tyco Electronics for other configuration availability

| Old Part Number | TE Part Number | |
|-----------------|------------------------|----------|
| V42254-A6104-L1 | 3-1393561-2 | OBSOLETE |
| V42254-A6105-L1 | 3-1393561-3 | |
| V42254-A6106-L1 | 3-1393561-4 | |
| V42254-A6107-L1 | 3-1393561-5 | |
| V42254-A6108-L1 | 3-1393561-6 | |
| V42254-A6109-L1 | 3-1393561-9 | |
| V42254-A6110-L1 | 4-1393561-0 | |
| V42254-A6111-L1 | 4-1393561-1 | OBSOLETE |
| V42254-A6112-L1 | 4-1393561-2 | |
| V42254-A6113-L1 | 4-1393561-3 | OBSOLETE |
| V42254-A6114-L1 | 4-1393561-4 | OBSOLETE |
| V42254-A6115-L1 | 5-1393502-9 | OBSOLETE |

| | | | | | | | |
|--|--------------|------|------|--|--|---------|--|
| APPLICABLE SPEC.: | | | | FINISH | | | |
|  TE Connectivity | | | | DIMENSIONS APPLY | | PLATING | |
| | | | | SCALE | | WEIGHT | |
|  DIMENSIONS IN MM | | | | MATERIAL | | | |
| DATE 30.08.88 NAME De Petter DEP. PD Com P&SE EC | | | | NAME D-Sub Housing | | | |
| TOLERANCE UNLESS SPECIFIED OTHERWISE | | | | accessories: contact tubes DWG NO. V42254-A6000-G***-* SHT. 5+ | | | |
| D | SEE SHEET 1 | | | customer drawing number: C 1393738-1 | | OF 6 | |
| REV. | CHANGE ORDER | DATE | APP. | | | | |

PROPRIETARY: THIS INFORMATION IS CONFIDENTIAL AND PROPRIETARY TO TYCO ELECTRONICS CORPORATION AND ITS WORLDWIDE SUBSIDIARIES AND AFFILIATES. IT MAY NOT BE DISCLOSED TO ANYONE, OTHER THAN TYCO ELECTRONICS PERSONNEL, WITHOUT WRITTEN AUTHORIZATION FROM TYCO ELECTRONICS CORPORATION, HARRISBURG PENNSYLVANIA USA



| | | Technical Data | |
|----|------|-----------------------------|----------------------|
| | | bushing inner diameter ±0.2 | cable outer diameter |
| 00 | 1)2) | / | / |
| 05 | 3) | 5 | 4.2 to 4.9 |
| 06 | 3) | 6 | 5.0 to 5.9 |
| 07 | 3) | 7 | 6.0 to 6.9 |
| 08 | 3) | 8 | 7.0 to 7.9 |
| 09 | 3) | 9 | 8.0 to 8.9 |
| 10 | 2) | 10 | 9.0 to 9.9 |
| 11 | 2) | 11 | 10.0 to 10.9 |
| 12 | 4) | 12 | 11.0 to 11.9 |
| 13 | 4) | 13 | 12.0 to 12.9 |
| 14 | 4) | 14 | 13.0 to 13.9 |
| 15 | 4) | 15 | 14.0 to 14.9 |

| | contacts | colour |
|-----|----------|--------|
| 1 | 9 to 37 | grey |
| 50 | 50 | grey |
| 100 | 9 to 37 | black |
| 150 | 50 | black |

Active part numbers. Contact Tyco Electronics for other configuration availability

| Old Part Number | TE Part Number | |
|-------------------|----------------|----------|
| V42254-A6200-L 1 | 4-1393561-5 | OBSOLETE |
| V42254-A6200-L 50 | 4-1393561-6 | |
| V42254-A6200-L100 | 5-1393502-1 | OBSOLETE |
| V42254-A6200-L150 | 5-1393502-2 | OBSOLETE |
| V42254-A6205-L 1 | 4-1393561-7 | |
| V42254-A6205-L100 | 4-1393561-8 | |
| V42254-A6206-L 1 | 4-1393561-9 | |
| V42254-A6206-L100 | 5-1393561-0 | |
| V42254-A6207-L 1 | 5-1393561-1 | |
| V42254-A6207-L100 | 5-1393561-4 | OBSOLETE |
| V42254-A6208-L 1 | 5-1393561-5 | |
| V42254-A6208-L100 | 5-1393561-6 | OBSOLETE |
| V42254-A6209-L 1 | 5-1393561-7 | |
| V42254-A6209-L100 | 5-1393561-8 | |
| V42254-A6210-L 1 | 5-1393561-9 | |
| V42254-A6210-L 50 | 6-1393561-0 | OBSOLETE |
| V42254-A6210-L100 | 6-1393561-1 | OBSOLETE |
| V42254-A6210-L150 | 5-1393502-3 | OBSOLETE |
| V42254-A6211-L 1 | 6-1393561-2 | |
| V42254-A6211-L 50 | 6-1393561-3 | OBSOLETE |
| V42254-A6211-L100 | 5-1393502-4 | OBSOLETE |
| V42254-A6211-L150 | 5-1393502-5 | OBSOLETE |
| V42254-A6212-L 50 | 6-1393561-4 | OBSOLETE |
| V42254-A6212-L150 | 5-1393502-6 | OBSOLETE |
| V42254-A6213-L 50 | 6-1393561-5 | OBSOLETE |
| V42254-A6213-L150 | 5-1393502-7 | OBSOLETE |
| V42254-A6214-L 50 | 6-1393561-6 | OBSOLETE |
| V42254-A6214-L150 | 5-1393502-8 | OBSOLETE |
| V42254-A6215-L 50 | 8-1393501-5 | OBSOLETE |
| V42254-A6215-L150 | 6-1393561-7 | OBSOLETE |

- 4) only for 50 contacts
- 3) only for 9 to 37 contacts
- 2) for 9 to 50 contacts
- 1) Blank bushing

| | | | | | | | | | |
|--|--|--|--|--------------------------------|--|---------|--|---|------|
| APPLICABLE SPEC. | | | | FINISH | | | | | |
| | | | | DIMENSIONS APPLY | | PLATING | | | |
| | | | | SCALE | | WEIGHT | | | |
| | | | | MATERIAL | | | | | |
| DATE: 30.08.88 NAME: De Petter DEP.: PD Com P&SE EC | | | | NAME: D-Sub Housing | | | | | |
| TOLERANCE UNLESS SPECIFIED OTHERWISE | | | | accessories: cable bushings | | | | | |
| D SEE SHEET 1 | | | | DWG NO. V42254-A6000-G***-*-27 | | | | SHT. 6 | |
| REV. CHANGE ORDER | | | | DATE | | | | APP. customer drawing number: C 1393738-1 | OF 6 |



Компания «ЭлектроПласт» предлагает заключение долгосрочных отношений при поставках импортных электронных компонентов на взаимовыгодных условиях!

Наши преимущества:

- Оперативные поставки широкого спектра электронных компонентов отечественного и импортного производства напрямую от производителей и с крупнейших мировых складов;
- Поставка более 17-ти миллионов наименований электронных компонентов;
- Поставка сложных, дефицитных, либо снятых с производства позиций;
- Оперативные сроки поставки под заказ (от 5 рабочих дней);
- Экспресс доставка в любую точку России;
- Техническая поддержка проекта, помощь в подборе аналогов, поставка прототипов;
- Система менеджмента качества сертифицирована по Международному стандарту ISO 9001;
- Лицензия ФСБ на осуществление работ с использованием сведений, составляющих государственную тайну;
- Поставка специализированных компонентов (Xilinx, Altera, Analog Devices, Intersil, Interpoint, Microsemi, Aeroflex, Peregrine, Syfer, Eurofarad, Texas Instrument, Miteq, Cobham, E2V, MA-COM, Hittite, Mini-Circuits, General Dynamics и др.);

Помимо этого, одним из направлений компании «ЭлектроПласт» является направление «Источники питания». Мы предлагаем Вам помощь Конструкторского отдела:

- Подбор оптимального решения, техническое обоснование при выборе компонента;
- Подбор аналогов;
- Консультации по применению компонента;
- Поставка образцов и прототипов;
- Техническая поддержка проекта;
- Защита от снятия компонента с производства.



Как с нами связаться

Телефон: 8 (812) 309 58 32 (многоканальный)

Факс: 8 (812) 320-02-42

Электронная почта: org@eplast1.ru

Адрес: 198099, г. Санкт-Петербург, ул. Калинина, дом 2, корпус 4, литера А.