



**128K x 32, 128K x 36, 256K x 18**  
**4 Mb SYNCHRONOUS FLOW-THROUGH STATIC RAM**

SEPTEMBER 2011

**FEATURES**

- Internal self-timed write cycle
- Individual Byte Write Control and Global Write
- Clock controlled, registered address, data and control
- Burst sequence control using MODE input
- Three chip enable option for simple depth expansion and address pipelining
- Common data inputs and data outputs
- Auto Power-down during deselect
- Single cycle deselect
- Snooze MODE for reduced-power standby
- Power Supply  
 LF:  $V_{DD} 3.3V \pm 5\%$ ,  $V_{DDQ} 3.3V/2.5V \pm 5\%$   
 VF:  $V_{DD} 2.5V -5\% +10\%$ ,  $V_{DDQ} 2.5V -5\% +10\%$
- JEDEC 100-Pin TQFP, 119-pin PBGA, and 165-pin PBGA packages
- Automotive temperature available
- Lead-free available

**DESCRIPTION**

The *ISSI* IS61(64)LF12832A, IS64VF12832A, IS61(64)LF/VF12836A and IS61(64)LF/VF25618A are high-speed, low-power synchronous static RAMs designed to provide burstable, high-performance memory for communication and networking applications. The IS61(64)LF12832A is organized as 131,072 words by 32 bits. The IS61(64)LF/VF12836A is organized as 131,072 words by 36 bits. The IS61(64)LF/VF25618A is organized as 262,144 words by 18 bits. Fabricated with *ISSI*'s advanced CMOS technology, the device integrates a 2-bit burst counter, high-speed SRAM core, and high-drive capability outputs into a single monolithic circuit. All synchronous inputs pass through registers controlled by a positive-edge-triggered single clock input.

Write cycles are internally self-timed and are initiated by the rising edge of the clock input. Write cycles can be one to four bytes wide as controlled by the write control inputs.

Separate byte enables allow individual bytes to be written. Byte write operation is performed by using byte write enable ( $\overline{BWE}$ ) input combined with one or more individual byte write signals ( $\overline{BWx}$ ). In addition, Global Write ( $\overline{GW}$ ) is available for writing all bytes at one time, regardless of the byte write controls.

Bursts can be initiated with either  $\overline{ADSP}$  (Address Status Processor) or  $\overline{ADSC}$  (Address Status Cache Controller) input pins. Subsequent burst addresses can be generated internally and controlled by the  $\overline{ADV}$  (burst address advance) input pin.

The mode pin is used to select the burst sequence order, Linear burst is achieved when this pin is tied LOW. Interleave burst is achieved when this pin is tied HIGH or left floating.

**FAST ACCESS TIME**

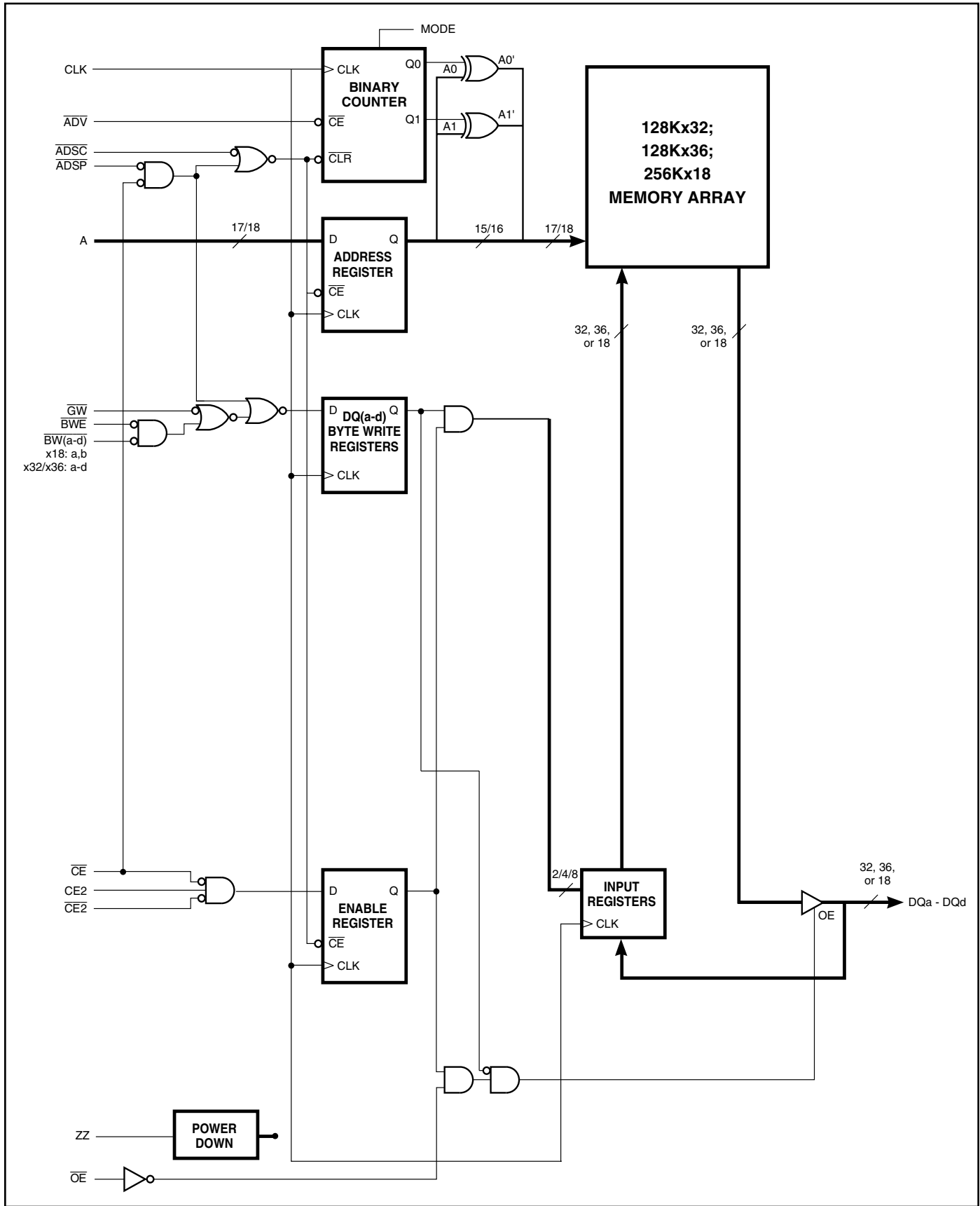
| Symbol | Parameter         | -6.5 | -7.5 | Units |
|--------|-------------------|------|------|-------|
| tkQ    | Clock Access Time | 6.5  | 7.5  | ns    |
| tkc    | Cycle Time        | 7.5  | 8.5  | ns    |
|        | Frequency         | 133  | 117  | MHz   |

Copyright © 2011 Integrated Silicon Solution, Inc. All rights reserved. ISSI reserves the right to make changes to this specification and its products at any time without notice. ISSI assumes no liability arising out of the application or use of any information, products or services described herein. Customers are advised to obtain the latest version of this device specification before relying on any published information and before placing orders for products.

Integrated Silicon Solution, Inc. does not recommend the use of any of its products in life support applications where the failure or malfunction of the product can reasonably be expected to cause failure of the life support system or to significantly affect its safety or effectiveness. Products are not authorized for use in such applications unless Integrated Silicon Solution, Inc. receives written assurance to its satisfaction, that:

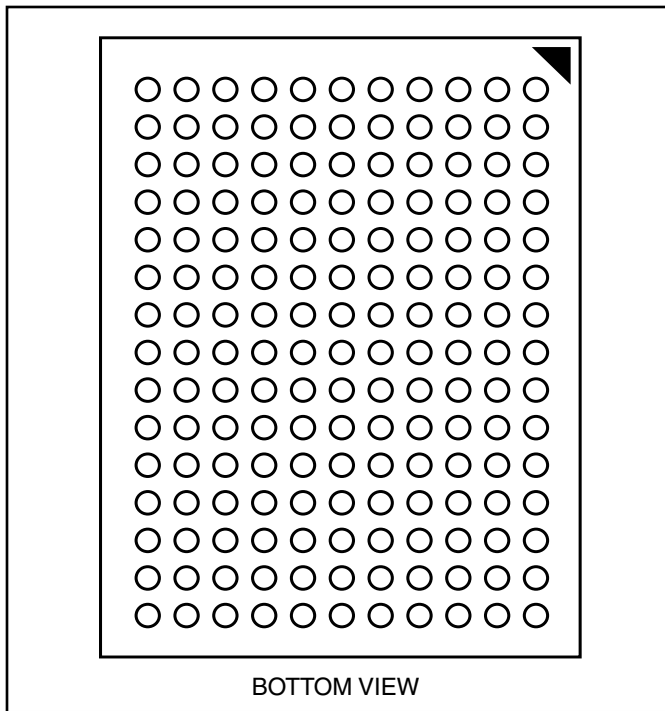
- a.) the risk of injury or damage has been minimized;
- b.) the user assume all such risks; and
- c.) potential liability of Integrated Silicon Solution, Inc is adequately protected under the circumstances

**BLOCK DIAGRAM**



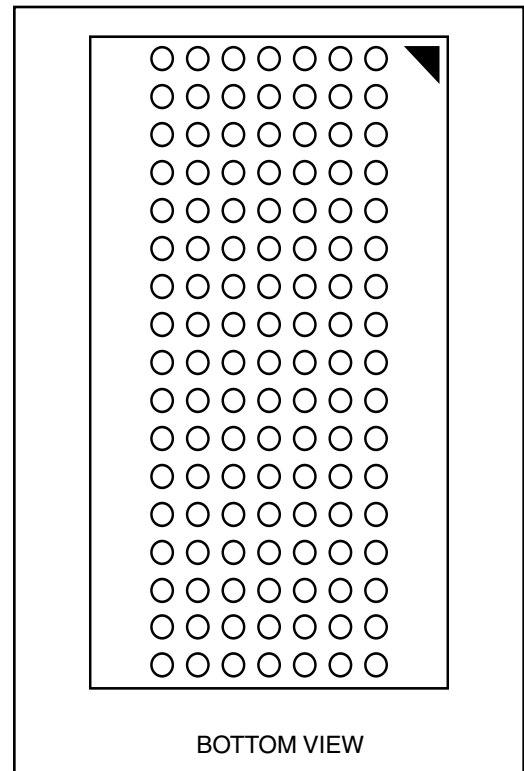
**165-PIN BGA**

165-Ball, 13x15 mm BGA



**119-PIN BGA**

119-Ball, 14x22 mm BGA



## 119 BGA PACKAGE PIN CONFIGURATION

128K x 36 (TOP VIEW)

|          | 1                | 2               | 3                       | 4                        | 5                       | 6                       | 7                |
|----------|------------------|-----------------|-------------------------|--------------------------|-------------------------|-------------------------|------------------|
| <b>A</b> | V <sub>DDQ</sub> | A               | A                       | $\overline{\text{ADSP}}$ | A                       | A                       | V <sub>DDQ</sub> |
| <b>B</b> | NC               | CE2             | A                       | $\overline{\text{ADSC}}$ | A                       | $\overline{\text{CE2}}$ | NC               |
| <b>C</b> | NC               | A               | A                       | V <sub>DD</sub>          | A                       | A                       | NC               |
| <b>D</b> | DQc              | DQPc            | V <sub>SS</sub>         | NC                       | V <sub>SS</sub>         | DQPb                    | DQb              |
| <b>E</b> | DQc              | DQc             | V <sub>SS</sub>         | $\overline{\text{CE}}$   | V <sub>SS</sub>         | DQb                     | DQb              |
| <b>F</b> | V <sub>DDQ</sub> | DQc             | V <sub>SS</sub>         | $\overline{\text{OE}}$   | V <sub>SS</sub>         | DQb                     | V <sub>DDQ</sub> |
| <b>G</b> | DQc              | DQc             | $\overline{\text{BWc}}$ | $\overline{\text{ADV}}$  | $\overline{\text{BWb}}$ | DQb                     | DQb              |
| <b>H</b> | DQc              | DQc             | V <sub>SS</sub>         | $\overline{\text{GW}}$   | V <sub>SS</sub>         | DQb                     | DQb              |
| <b>J</b> | V <sub>DDQ</sub> | V <sub>DD</sub> | NC                      | V <sub>DD</sub>          | NC                      | V <sub>DD</sub>         | V <sub>DDQ</sub> |
| <b>K</b> | DQd              | DQd             | V <sub>SS</sub>         | CLK                      | V <sub>SS</sub>         | DQa                     | DQa              |
| <b>L</b> | DQd              | DQd             | $\overline{\text{BWd}}$ | NC                       | $\overline{\text{BWA}}$ | DQa                     | DQa              |
| <b>M</b> | V <sub>DDQ</sub> | DQd             | V <sub>SS</sub>         | $\overline{\text{BWE}}$  | V <sub>SS</sub>         | DQa                     | V <sub>DDQ</sub> |
| <b>N</b> | DQd              | DQd             | V <sub>SS</sub>         | A <sub>1</sub> *         | V <sub>SS</sub>         | DQa                     | DQa              |
| <b>P</b> | DQd              | DQPd            | V <sub>SS</sub>         | A <sub>0</sub> *         | V <sub>SS</sub>         | DQPa                    | DQa              |
| <b>R</b> | NC               | A               | MODE                    | V <sub>DD</sub>          | NC                      | A                       | NC               |
| <b>T</b> | NC               | NC              | A                       | A                        | A                       | NC                      | ZZ               |
| <b>U</b> | V <sub>DDQ</sub> | NC              | NC                      | NC                       | NC                      | NC                      | V <sub>DDQ</sub> |

**Note:** \* A<sub>0</sub> and A<sub>1</sub> are the two least significant bits (LSB) of the address field and set the internal burst counter if burst is desired.

## PIN DESCRIPTIONS

| Symbol  | Pin Name                          |
|---|-----------------------------------|
| A   | Address Inputs                    |
| A <sub>0</sub> , A <sub>1</sub>                       | Synchronous Burst Address Inputs  |
| $\overline{\text{ADV}}$                               | Synchronous Burst Address Advance |
| $\overline{\text{ADSP}}$                              | Address Status Processor          |
| $\overline{\text{ADSC}}$                              | Address Status Controller         |
| $\overline{\text{GW}}$                                | Global Write Enable               |
| CLK   | Synchronous Clock                 |
| $\overline{\text{CE}}$ , CE2, $\overline{\text{CE2}}$ | Synchronous Chip Select           |
| $\overline{\text{BWx}}$ (x=a-d)                       | Synchronous Byte Write Controls   |
| $\overline{\text{BWE}}$                               | Byte Write Enable                 |

| Symbol                 | Pin Name                 |
|------------------------|--------------------------|
| $\overline{\text{OE}}$ | Output Enable            |
| ZZ                     | Power Sleep Mode         |
| MODE                   | Burst Sequence Selection |
| NC                     | No Connect               |
| DQa-DQd                | Data Inputs/Outputs      |
| DQPa-Pd                | Output Power Supply      |
| V <sub>DD</sub>        | Power Supply             |
| V <sub>DDQ</sub>       | Output Power Supply      |
| V <sub>SS</sub>        | Ground                   |



## 119 BGA PACKAGE PIN CONFIGURATION

256Kx18 (TOP VIEW)

|          | 1                | 2                | 3                       | 4                        | 5                       | 6                       | 7                |
|----------|------------------|------------------|-------------------------|--------------------------|-------------------------|-------------------------|------------------|
| <b>A</b> | V <sub>DDQ</sub> | A                | A                       | $\overline{\text{ADSP}}$ | A                       | A                       | V <sub>DDQ</sub> |
| <b>B</b> | NC               | CE2              | A                       | $\overline{\text{ADSC}}$ | A                       | $\overline{\text{CE2}}$ | NC               |
| <b>C</b> | NC               | A                | A                       | V <sub>DD</sub>          | A                       | A                       | NC               |
| <b>D</b> | DQb              | NC               | V <sub>SS</sub>         | NC                       | V <sub>SS</sub>         | DQP <sub>a</sub>        | NC               |
| <b>E</b> | NC               | DQb              | V <sub>SS</sub>         | $\overline{\text{CE}}$   | V <sub>SS</sub>         | NC                      | DQ <sub>a</sub>  |
| <b>F</b> | V <sub>DDQ</sub> | NC               | V <sub>SS</sub>         | $\overline{\text{OE}}$   | V <sub>SS</sub>         | DQ <sub>a</sub>         | V <sub>DDQ</sub> |
| <b>G</b> | NC               | DQb              | $\overline{\text{BWb}}$ | $\overline{\text{ADV}}$  | V <sub>SS</sub>         | NC                      | DQ <sub>a</sub>  |
| <b>H</b> | DQb              | NC               | V <sub>SS</sub>         | $\overline{\text{GW}}$   | V <sub>SS</sub>         | DQ <sub>a</sub>         | NC               |
| <b>J</b> | V <sub>DDQ</sub> | V <sub>DD</sub>  | NC                      | V <sub>DD</sub>          | NC                      | V <sub>DD</sub>         | V <sub>DDQ</sub> |
| <b>K</b> | NC               | DQb              | V <sub>SS</sub>         | CLK                      | V <sub>SS</sub>         | NC                      | DQ <sub>a</sub>  |
| <b>L</b> | DQb              | NC               | V <sub>SS</sub>         | NC                       | $\overline{\text{BWa}}$ | DQ <sub>a</sub>         | NC               |
| <b>M</b> | V <sub>DDQ</sub> | DQb              | V <sub>SS</sub>         | $\overline{\text{BWE}}$  | V <sub>SS</sub>         | NC                      | V <sub>DDQ</sub> |
| <b>N</b> | DQb              | NC               | V <sub>SS</sub>         | A <sub>1</sub> *         | V <sub>SS</sub>         | DQ <sub>a</sub>         | NC               |
| <b>P</b> | NC               | DQP <sub>b</sub> | V <sub>SS</sub>         | A <sub>0</sub> *         | V <sub>SS</sub>         | NC                      | DQ <sub>a</sub>  |
| <b>R</b> | NC               | A                | MODE                    | V <sub>DD</sub>          | NC                      | A                       | NC               |
| <b>T</b> | NC               | A                | A                       | NC                       | A                       | A                       | ZZ               |
| <b>U</b> | V <sub>DDQ</sub> | NC               | NC                      | NC                       | NC                      | NC                      | V <sub>DDQ</sub> |

**Note:** \* A<sub>0</sub> and A<sub>1</sub> are the two least significant bits (LSB) of the address field and set the internal burst counter if burst is desired.

## PIN DESCRIPTIONS

| Symbol  | Pin Name                          |
|---|-----------------------------------|
| A   | Address Inputs                    |
| A <sub>0</sub> , A <sub>1</sub>                       | Synchronous Burst Address Inputs  |
| $\overline{\text{ADV}}$                               | Synchronous Burst Address Advance |
| $\overline{\text{ADSP}}$                              | Address Status Processor          |
| $\overline{\text{ADSC}}$                              | Address Status Controller         |
| $\overline{\text{GW}}$                                | Global Write Enable               |
| CLK   | Synchronous Clock                 |
| $\overline{\text{CE}}$ , CE2, $\overline{\text{CE2}}$ | Synchronous Chip Select           |
| $\overline{\text{BWx}}$ (x=a,b)                       | Synchronous Byte Write Controls   |
| $\overline{\text{BWE}}$                               | Byte Write Enable                 |

| Symbol                           | Pin Name                 |
|----------------------------------|--------------------------|
| $\overline{\text{OE}}$           | Output Enable            |
| ZZ                               | Power Sleep Mode         |
| MODE                             | Burst Sequence Selection |
| NC                               | No Connect               |
| DQ <sub>a</sub> -DQ <sub>b</sub> | Data Inputs/Outputs      |
| DQP <sub>a</sub> -P <sub>b</sub> | Output Power Supply      |
| V <sub>DD</sub>                  | Power Supply             |
| V <sub>DDQ</sub>                 | Output Power Supply      |
| V <sub>SS</sub>                  | Ground                   |



## 165 PBGA PACKAGE PIN CONFIGURATION

128K x 36 (TOP VIEW)

|          | 1    | 2   | 3               | 4                | 5                | 6   | 7                | 8               | 9                 | 10  | 11   |
|----------|------|-----|-----------------|------------------|------------------|-----|------------------|-----------------|-------------------|-----|------|
| <b>A</b> | NC   | A   | $\overline{CE}$ | BWc              | BWb              | CE2 | $\overline{BWE}$ | ADSC            | $\overline{ADV}$  | A   | NC   |
| <b>B</b> | NC   | A   | CE2             | $\overline{BWd}$ | $\overline{BWa}$ | CLK | $\overline{GW}$  | $\overline{OE}$ | $\overline{ADSP}$ | A   | NC   |
| <b>C</b> | DQPc | NC  | VDDQ            | VSS              | VSS              | VSS | VSS              | VSS             | VDDQ              | NC  | DQPb |
| <b>D</b> | DQc  | DQc | VDDQ            | VDD              | VSS              | VSS | VSS              | VDD             | VDDQ              | DQb | DQb  |
| <b>E</b> | DQc  | DQc | VDDQ            | VDD              | VSS              | VSS | VSS              | VDD             | VDDQ              | DQb | DQb  |
| <b>F</b> | DQc  | DQc | VDDQ            | VDD              | VSS              | VSS | VSS              | VDD             | VDDQ              | DQb | DQb  |
| <b>G</b> | DQc  | DQc | VDDQ            | VDD              | VSS              | VSS | VSS              | VDD             | VDDQ              | DQb | DQb  |
| <b>H</b> | NC   | NC  | NC              | VDD              | VSS              | VSS | VSS              | VDD             | NC                | NC  | ZZ   |
| <b>J</b> | DQd  | DQd | VDDQ            | VDD              | VSS              | VSS | VSS              | VDD             | VDDQ              | DQa | DQa  |
| <b>K</b> | DQd  | DQd | VDDQ            | VDD              | VSS              | VSS | VSS              | VDD             | VDDQ              | DQa | DQa  |
| <b>L</b> | DQd  | DQd | VDDQ            | VDD              | VSS              | VSS | VSS              | VDD             | VDDQ              | DQa | DQa  |
| <b>M</b> | DQd  | DQd | VDDQ            | VDD              | VSS              | VSS | VSS              | VDD             | VDDQ              | DQa | DQa  |
| <b>N</b> | DQPd | NC  | VDDQ            | VSS              | NC               | NC  | NC               | VSS             | VDDQ              | NC  | DQPa |
| <b>P</b> | NC   | NC  | A               | A                | NC               | A1* | NC               | A               | A                 | A   | NC   |
| <b>R</b> | MODE | NC  | A               | A                | NC               | A0* | NC               | A               | A                 | A   | A    |

**Note:** \* A<sub>0</sub> and A<sub>1</sub> are the two least significant bits (LSB) of the address field and set the internal burst counter if burst is desired.

## PIN DESCRIPTIONS

| Symbol  | Pin Name                          |
|---|-----------------------------------|
| A   | Address Inputs                    |
| A <sub>0</sub> , A <sub>1</sub>                     | Synchronous Burst Address Inputs  |
| $\overline{ADV}$                                    | Synchronous Burst Address Advance |
| $\overline{ADSP}$                                   | Address Status Processor          |
| $\overline{ADSC}$                                   | Address Status Controller         |
| $\overline{GW}$                                     | Global Write Enable               |
| CLK   | Synchronous Clock                 |
| $\overline{CE}$ , CE <sub>2</sub> , CE <sub>2</sub> | Synchronous Chip Select           |
| $\overline{BWx}$ (x=a,b,c,d)                        | Synchronous Byte Write Controls   |

| Symbol           | Pin Name                                  |
|------------------|---|
| $\overline{BWE}$ | Byte Write Enable                         |
| $\overline{OE}$  | Output Enable                             |
| ZZ               | Power Sleep Mode                          |
| MODE             | Burst Sequence Selection                  |
| NC               | No Connect                                |
| DQx              | Data Inputs/Outputs                       |
| DQP <sub>x</sub> | Data Inputs/Outputs                       |
| VDD              | 3.3V/2.5V Power Supply                    |
| VDDQ             | Isolated Output Power Supply<br>3.3V/2.5V |
| VSS              | Ground                                    |



## 165 PBGA PACKAGE PIN CONFIGURATION

256K x 18 (TOP VIEW)

|          | 1                | 2               | 3                | 4                | 5                | 6                | 7                | 8                 | 9                 | 10              | 11               |
|----------|------------------|-----------------|------------------|------------------|------------------|------------------|------------------|-------------------|-------------------|-----------------|------------------|
| <b>A</b> | NC               | A               | $\overline{CE}$  | $\overline{BWb}$ | NC               | $\overline{CE2}$ | $\overline{BWE}$ | $\overline{ADSC}$ | ADV               | A               | A                |
| <b>B</b> | NC               | A               | CE2              | NC               | $\overline{BWa}$ | CLK              | $\overline{GW}$  | $\overline{OE}$   | $\overline{ADSP}$ | A               | NC               |
| <b>C</b> | NC               | NC              | V <sub>DDQ</sub> | V <sub>SS</sub>  | V <sub>SS</sub>  | V <sub>SS</sub>  | V <sub>SS</sub>  | V <sub>SS</sub>   | V <sub>DDQ</sub>  | NC              | DQP <sub>a</sub> |
| <b>D</b> | NC               | DQ <sub>b</sub> | V <sub>DDQ</sub> | V <sub>DD</sub>  | V <sub>SS</sub>  | V <sub>SS</sub>  | V <sub>SS</sub>  | V <sub>DD</sub>   | V <sub>DDQ</sub>  | NC              | DQ <sub>a</sub>  |
| <b>E</b> | NC               | DQ <sub>b</sub> | V <sub>DDQ</sub> | V <sub>DD</sub>  | V <sub>SS</sub>  | V <sub>SS</sub>  | V <sub>SS</sub>  | V <sub>DD</sub>   | V <sub>DDQ</sub>  | NC              | DQ <sub>a</sub>  |
| <b>F</b> | NC               | DQ <sub>b</sub> | V <sub>DDQ</sub> | V <sub>DD</sub>  | V <sub>SS</sub>  | V <sub>SS</sub>  | V <sub>SS</sub>  | V <sub>DD</sub>   | V <sub>DDQ</sub>  | NC              | DQ <sub>a</sub>  |
| <b>G</b> | NC               | DQ <sub>b</sub> | V <sub>DDQ</sub> | V <sub>DD</sub>  | V <sub>SS</sub>  | V <sub>SS</sub>  | V <sub>SS</sub>  | V <sub>DD</sub>   | V <sub>DDQ</sub>  | NC              | DQ <sub>a</sub>  |
| <b>H</b> | NC               | NC              | NC               | V <sub>DD</sub>  | V <sub>SS</sub>  | V <sub>SS</sub>  | V <sub>SS</sub>  | V <sub>DD</sub>   | NC                | NC              | ZZ               |
| <b>J</b> | DQ <sub>b</sub>  | NC              | V <sub>DDQ</sub> | V <sub>DD</sub>  | V <sub>SS</sub>  | V <sub>SS</sub>  | V <sub>SS</sub>  | V <sub>DD</sub>   | V <sub>DDQ</sub>  | DQ <sub>a</sub> | NC               |
| <b>K</b> | DQ <sub>b</sub>  | NC              | V <sub>DDQ</sub> | V <sub>DD</sub>  | V <sub>SS</sub>  | V <sub>SS</sub>  | V <sub>SS</sub>  | V <sub>DD</sub>   | V <sub>DDQ</sub>  | DQ <sub>a</sub> | NC               |
| <b>L</b> | DQ <sub>b</sub>  | NC              | V <sub>DDQ</sub> | V <sub>DD</sub>  | V <sub>SS</sub>  | V <sub>SS</sub>  | V <sub>SS</sub>  | V <sub>DD</sub>   | V <sub>DDQ</sub>  | DQ <sub>a</sub> | NC               |
| <b>M</b> | DQ <sub>b</sub>  | NC              | V <sub>DDQ</sub> | V <sub>DD</sub>  | V <sub>SS</sub>  | V <sub>SS</sub>  | V <sub>SS</sub>  | V <sub>DD</sub>   | V <sub>DDQ</sub>  | DQ <sub>a</sub> | NC               |
| <b>N</b> | DQP <sub>b</sub> | NC              | V <sub>DDQ</sub> | V <sub>SS</sub>  | NC               | NC               | NC               | V <sub>SS</sub>   | V <sub>DDQ</sub>  | NC              | NC               |
| <b>P</b> | NC               | NC              | A                | A                | NC               | A <sub>1</sub> * | NC               | A                 | A                 | A               | NC               |
| <b>R</b> | MODE             | NC              | A                | A                | NC               | A <sub>0</sub> * | NC               | A                 | A                 | A               | A                |

Note: \* A<sub>0</sub> and A<sub>1</sub> are the two least significant bits (LSB) of the address field and set the internal burst counter if burst is desired.

## PIN DESCRIPTIONS

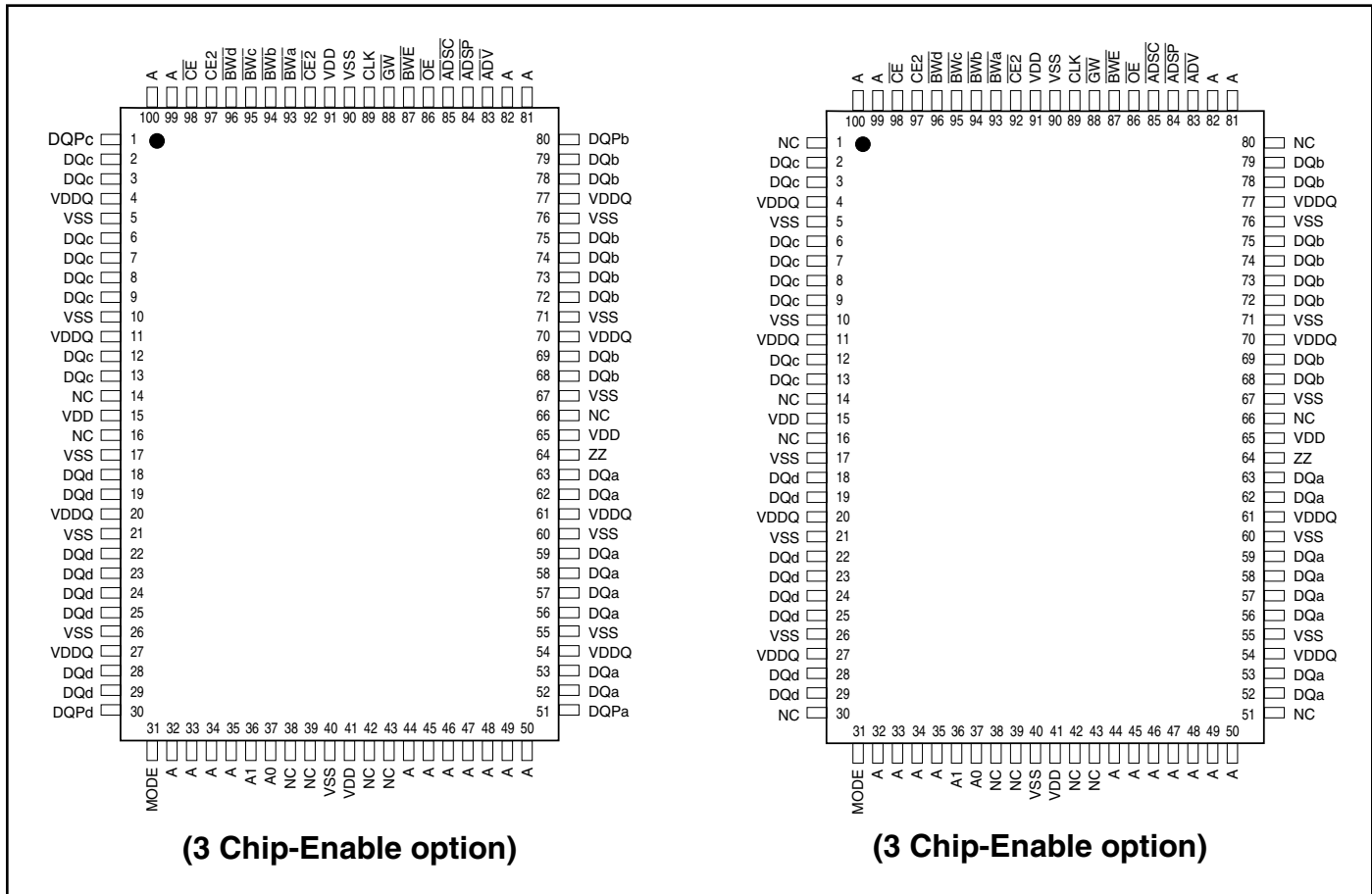
| Symbol                                   | Pin Name                          |
|--|-----------------------------------|
| A  | Address Inputs                    |
| A <sub>0</sub> , A <sub>1</sub>          | Synchronous Burst Address Inputs  |
| ADV                                      | Synchronous Burst Address Advance |
| $\overline{ADSP}$                        | Address Status Processor          |
| $\overline{ADSC}$                        | Address Status Controller         |
| $\overline{GW}$                          | Global Write Enable               |
| CLK                                      | Synchronous Clock                 |
| $\overline{CE}$ , $\overline{CE2}$ , CE2 | Synchronous Chip Select           |
| $\overline{BWx}$ (x=a,b)                 | Synchronous Byte Write Controls   |

| Symbol           | Pin Name                                  |
|------------------|---|
| $\overline{BWE}$ | Byte Write Enable                         |
| $\overline{OE}$  | Output Enable                             |
| ZZ               | Power Sleep Mode                          |
| MODE             | Burst Sequence Selection                  |
| NC               | No Connect                                |
| DQ <sub>x</sub>  | Data Inputs/Outputs                       |
| DQP <sub>x</sub> | Data Inputs/Outputs                       |
| V <sub>DD</sub>  | 3.3V/2.5V Power Supply                    |
| V <sub>DDQ</sub> | Isolated Output Power Supply<br>3.3V/2.5V |
| V <sub>SS</sub>  | Ground                                    |

**PIN CONFIGURATION**

**100-PIN TQFP (128K x 36)**

**100-PIN TQFP (128K x 32)**



**PIN DESCRIPTIONS**

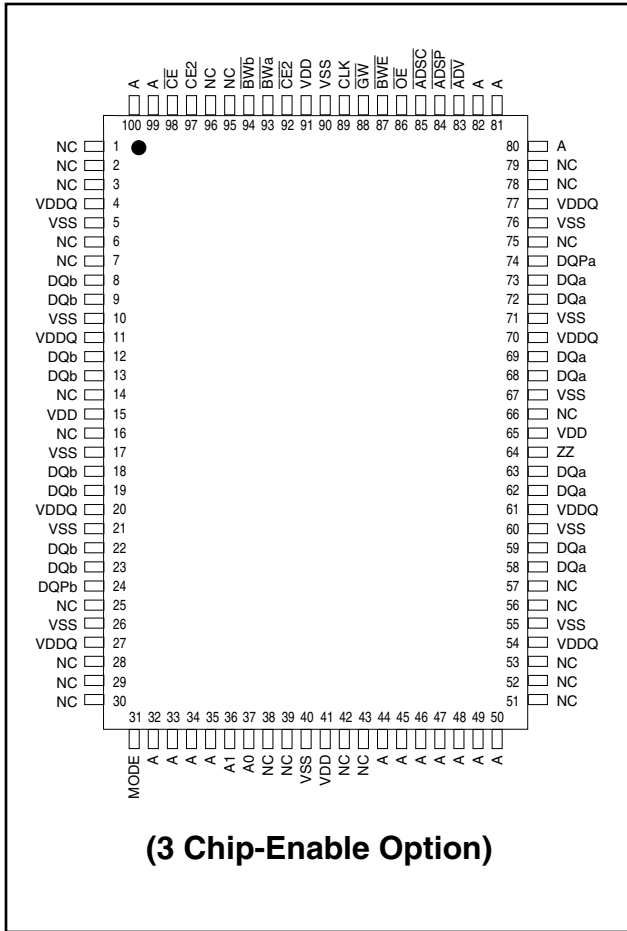
|   |   |
|---|---|
| A0, A1  | Synchronous Address Inputs. These pins must be tied to the two LSBs of the address bus. |
| A   | Synchronous Address Inputs  |
| $\overline{ADSC}$                                     | Synchronous Controller Address Status   |
| $\overline{ADSP}$                                     | Synchronous Processor Address Status  |
| $\overline{ADV}$                                      | Synchronous Burst Address Advance   |
| $\overline{BWA}$ - $\overline{BWD}$                   | Synchronous Byte Write Enable   |
| $\overline{BWE}$                                      | Synchronous Byte Write Enable   |
| $\overline{CE}$ , $\overline{CE2}$ , $\overline{CE2}$ | Synchronous Chip Enable   |
| CLK   | Synchronous Clock   |

|                 |   |
|-----------------|---|
| DQa-DQd         | Synchronous Data Input/Output               |
| DQPa-DQPd       | Parity Data Input/Output                    |
| $\overline{GW}$ | Synchronous Global Write Enable             |
| MODE            | Burst Sequence Mode Selection               |
| $\overline{OE}$ | Output Enable                               |
| VDD             | 3.3V/2.5V Power Supply                      |
| VDDQ            | Isolated Output Buffer Supply:<br>3.3V/2.5V |
| VSS             | Ground                                      |
| ZZ              | Snooze Enable                               |



## PIN CONFIGURATION

### 100-PIN TQFP (256K x 18)



## PIN DESCRIPTIONS

|   |  |                 |   |
|---|--|-----------------|---|
| A0, A1  | Synchronous Address Inputs. These pins must tied to the two LSBs of the address bus. | DQPa-DQPb       | Parity Data I/O; DQPa is parity for DQa1-8; DQPb is parity for DQb1-8 |
| A   | Synchronous Address Inputs   | $\overline{GW}$ | Synchronous Global Write Enable                                       |
| $\overline{ADSC}$                                     | Synchronous Controller Address Status  | MODE            | Burst Sequence Mode Selection   |
| $\overline{ADSP}$                                     | Synchronous Processor Address Status   | $\overline{OE}$ | Output Enable   |
| $\overline{ADV}$                                      | Synchronous Burst Address Advance  | VDD             | 3.3V/2.5V Power Supply  |
| $\overline{BWA}$ - $\overline{BWB}$                   | Synchronous Byte Write Enable  | VDDQ            | Isolated Output Buffer Supply:<br>3.3V/2.5V                           |
| $\overline{BWE}$                                      | Synchronous Byte Write Enable  | VSS             | Ground  |
| $\overline{CE}$ , $\overline{CE2}$ , $\overline{CE2}$ | Synchronous Chip Enable  | ZZ              | Snooze Enable   |
| CLK   | Synchronous Clock  |                 |   |
| DQa-DQb   | Synchronous Data Input/Output  |                 |   |



**TRUTH TABLE<sup>(1-8)</sup>**

| OPERATION                   | ADDRESS  | $\overline{CE}$ | $\overline{CE2}$ | CE2 | ZZ | $\overline{ADSP}$ | $\overline{ADSC}$ | $\overline{ADV}$ | $\overline{WRITE}$ | $\overline{OE}$ | CLK | DQ     |
|-----------------------------|----------|-----------------|------------------|-----|----|-------------------|-------------------|------------------|--------------------|-----------------|-----|--------|
| Deselect Cycle, Power-Down  | None     | H               | X                | X   | L  | X                 | L                 | X                | X                  | X               | L-H | High-Z |
| Deselect Cycle, Power-Down  | None     | L               | X                | L   | L  | L                 | X                 | X                | X                  | X               | L-H | High-Z |
| Deselect Cycle, Power-Down  | None     | L               | H                | X   | L  | L                 | X                 | X                | X                  | X               | L-H | High-Z |
| Deselect Cycle, Power-Down  | None     | L               | X                | L   | L  | H                 | L                 | X                | X                  | X               | L-H | High-Z |
| Deselect Cycle, Power-Down  | None     | L               | H                | X   | L  | H                 | L                 | X                | X                  | X               | L-H | High-Z |
| Snooze Mode, Power-Down     | None     | X               | X                | X   | H  | X                 | X                 | X                | X                  | X               | X   | High-Z |
| Read Cycle, Begin Burst     | External | L               | L                | H   | L  | L                 | X                 | X                | X                  | L               | L-H | Q      |
| Read Cycle, Begin Burst     | External | L               | L                | H   | L  | L                 | X                 | X                | X                  | H               | L-H | High-Z |
| Write Cycle, Begin Burst    | External | L               | L                | H   | L  | H                 | L                 | X                | L                  | X               | L-H | D      |
| Read Cycle, Begin Burst     | External | L               | L                | H   | L  | H                 | L                 | X                | H                  | L               | L-H | Q      |
| Read Cycle, Begin Burst     | External | L               | L                | H   | L  | H                 | L                 | X                | H                  | H               | L-H | High-Z |
| Read Cycle, Continue Burst  | Next     | X               | X                | X   | L  | H                 | H                 | L                | H                  | L               | L-H | Q      |
| Read Cycle, Continue Burst  | Next     | X               | X                | X   | L  | H                 | H                 | L                | H                  | H               | L-H | High-Z |
| Read Cycle, Continue Burst  | Next     | H               | X                | X   | L  | X                 | H                 | L                | H                  | L               | L-H | Q      |
| Read Cycle, Continue Burst  | Next     | H               | X                | X   | L  | X                 | H                 | L                | H                  | H               | L-H | High-Z |
| Write Cycle, Continue Burst | Next     | X               | X                | X   | L  | H                 | H                 | L                | L                  | X               | L-H | D      |
| Write Cycle, Continue Burst | Next     | H               | X                | X   | L  | X                 | H                 | L                | L                  | X               | L-H | D      |
| Read Cycle, Suspend Burst   | Current  | X               | X                | X   | L  | H                 | H                 | H                | H                  | L               | L-H | Q      |
| Read Cycle, Suspend Burst   | Current  | X               | X                | X   | L  | H                 | H                 | H                | H                  | H               | L-H | High-Z |
| Read Cycle, Suspend Burst   | Current  | H               | X                | X   | L  | X                 | H                 | H                | H                  | L               | L-H | Q      |
| Read Cycle, Suspend Burst   | Current  | H               | X                | X   | L  | X                 | H                 | H                | H                  | H               | L-H | High-Z |
| Write Cycle, Suspend Burst  | Current  | X               | X                | X   | L  | H                 | H                 | H                | L                  | X               | L-H | D      |
| Write Cycle, Suspend Burst  | Current  | H               | X                | X   | L  | X                 | H                 | H                | L                  | X               | L-H | D      |

**NOTE:**

1. X means "Don't Care." H means logic HIGH. L means logic LOW.
2. For WRITE, L means one or more byte write enable signals ( $\overline{BWA-d}$ ) and  $\overline{BWE}$  are LOW or  $\overline{GW}$  is LOW.  $\overline{WRITE} = H$  for all  $\overline{BWx}$ ,  $\overline{BWE}$ ,  $\overline{GW}$  HIGH.
3.  $\overline{BWA}$  enables WRITES to DQa's and DQP<sub>a</sub>.  $\overline{BWb}$  enables WRITES to DQb's and DQP<sub>b</sub>.  $\overline{BWc}$  enables WRITES to DQc's and DQP<sub>c</sub>.  $\overline{BWD}$  enables WRITES to DQd's and DQP<sub>d</sub>. DQP<sub>a</sub> and DQP<sub>b</sub> are available on the x18 version. DQP<sub>a</sub>-DQP<sub>d</sub> are available on the x36 version.
4. All inputs except  $\overline{OE}$  and ZZ must meet setup and hold times around the rising edge (LOW to HIGH) of CLK.
5. Wait states are inserted by suspending burst.
6. For a WRITE operation following a READ operation,  $\overline{OE}$  must be HIGH before the input data setup time and held HIGH during the input data hold time.
7. This device contains circuitry that will ensure the outputs will be in High-Z during power-up.
8.  $\overline{ADSP}$  LOW always initiates an internal READ at the L-H edge of CLK. A WRITE is performed by setting one or more byte write enable signals and  $\overline{BWE}$  LOW or  $\overline{GW}$  LOW for the subsequent L-H edge of CLK. See WRITE timing diagram for clarification.

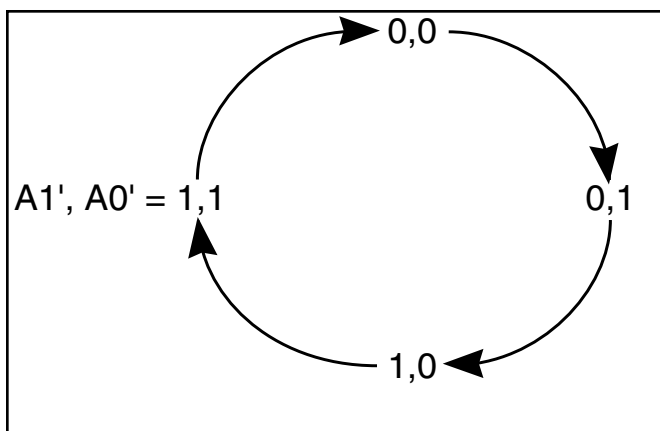
**PARTIAL TRUTH TABLE**

| Function        | $\overline{GW}$ | $\overline{BWE}$ | $\overline{BWA}$ | $\overline{BWb}$ | $\overline{BWc}$ | $\overline{BWD}$ |
|-----------------|-----------------|------------------|------------------|------------------|------------------|------------------|
| Read            | H               | H                | X                | X                | X                | X                |
| Read            | H               | L                | H                | H                | H                | H                |
| Write Byte 1    | H               | L                | L                | H                | H                | H                |
| Write All Bytes | H               | L                | L                | L                | L                | L                |
| Write All Bytes | L               | X                | X                | X                | X                | X                |

**INTERLEAVED BURST ADDRESS TABLE (MODE = V<sub>DD</sub> or No Connect)**

| External Address<br>A1 A0 | 1st Burst Address<br>A1 A0 | 2nd Burst Address<br>A1 A0 | 3rd Burst Address<br>A1 A0 |
|---------------------------|----------------------------|----------------------------|----------------------------|
| 00                        | 01                         | 10                         | 11                         |
| 01                        | 00                         | 11                         | 10                         |
| 10                        | 11                         | 00                         | 01                         |
| 11                        | 10                         | 01                         | 00                         |

**LINEAR BURST ADDRESS TABLE (MODE = V<sub>SS</sub>)**



**ABSOLUTE MAXIMUM RATINGS<sup>(1)</sup>**

| Symbol                             | Parameter   | Value                          | Unit |
|------------------------------------|---|--------------------------------|------|
| T <sub>STG</sub>                   | Storage Temperature   | -55 to +150                    | °C   |
| P <sub>D</sub>                     | Power Dissipation   | 1.6                            | W    |
| I <sub>OUT</sub>                   | Output Current (per I/O)  | 100                            | mA   |
| V <sub>IN</sub> , V <sub>OUT</sub> | Voltage Relative to V <sub>SS</sub> for I/O Pins                          | -0.5 to V <sub>DDQ</sub> + 0.5 | V    |
| V <sub>IN</sub>                    | Voltage Relative to V <sub>SS</sub> for<br>for Address and Control Inputs | -0.5 to V <sub>DD</sub> + 0.5  | V    |
| V <sub>DD</sub>                    | Voltage on V <sub>DD</sub> Supply Relative to V <sub>SS</sub>             | -0.5 to 4.6                    | V    |

**Notes:**

1. Stress greater than those listed under ABSOLUTE MAXIMUM RATINGS may cause permanent damage to the device. This is a stress rating only and functional operation of the device at these or any other conditions above those indicated in the operational sections of this specification is not implied. Exposure to absolute maximum rating conditions for extended periods may affect reliability.
2. This device contains circuitry to protect the inputs against damage due to high static voltages or electric fields; however, precautions may be taken to avoid application of any voltage higher than maximum rated voltages to this high-impedance circuit.
3. This device contains circuitry that will ensure the output devices are in High-Z at power up.

### OPERATING RANGE (IS61/64LFxxxxx)

| Range      | Ambient Temperature | V <sub>DD</sub> | V <sub>DDQ</sub> |
|------------|---------------------|-----------------|------------------|
| Commercial | 0°C to +70°C        | 3.3V ± 5%       | 3.3V/2.5V ± 5%   |
| Industrial | -40°C to +85°C      | 3.3V ± 5%       | 3.3V/2.5V ± 5%   |
| Automotive | -40°C to +125°C     | 3.3V ± 5%       | 3.3V/2.5V ± 5%   |

### OPERATING RANGE (IS61/64VFxxxxx)

| Range      | Ambient Temperature | V <sub>DD</sub> | V <sub>DDQ</sub> |
|------------|---------------------|-----------------|------------------|
| Commercial | 0°C to +70°C        | 2.5V -5% +10%   | 2.5V -5% +10%    |
| Industrial | -40°C to +85°C      | 2.5V -5% +10%   | 2.5V -5% +10%    |
| Automotive | -40°C to +125°C     | 2.5V -5% +10%   | 2.5V -5% +10%    |

### DC ELECTRICAL CHARACTERISTICS (Over Operating Range)

| Symbol          | Parameter                         | Test Conditions  | 3.3V |                       | 2.5V |                       | Unit |
|-----------------|-----------------------------------|--|------|-----------------------|------|-----------------------|------|
|                 |                                   |  | Min. | Max.                  | Min. | Max.                  |      |
| V <sub>OH</sub> | Output HIGH Voltage               | I <sub>OH</sub> = -4.0 mA (3.3V)<br>I <sub>OH</sub> = -1.0 mA (2.5V)             | 2.4  | —                     | 2.0  | —                     | V    |
| V <sub>OL</sub> | Output LOW Voltage                | I <sub>OL</sub> = 8.0 mA (3.3V)<br>I <sub>OL</sub> = 1.0 mA (2.5V)               | —    | 0.4                   | —    | 0.4                   | V    |
| V <sub>IH</sub> | Input HIGH Voltage <sup>(1)</sup> |  | 2.0  | V <sub>DD</sub> + 0.3 | 1.7  | V <sub>DD</sub> + 0.3 | V    |
| V <sub>IL</sub> | Input LOW Voltage <sup>(1)</sup>  |  | -0.3 | 0.8                   | -0.3 | 0.7                   | V    |
| I <sub>LI</sub> | Input Leakage Current             | V <sub>SS</sub> ≤ V <sub>IN</sub> ≤ V <sub>DD</sub> <sup>(1)</sup>               | -5   | 5                     | -5   | 5                     | μA   |
| I <sub>LO</sub> | Output Leakage Current            | V <sub>SS</sub> ≤ V <sub>OUT</sub> ≤ V <sub>DDQ</sub> , $\overline{OE} = V_{IH}$ | -5   | 5                     | -5   | 5                     | μA   |

**Note:**

- V<sub>ILL</sub>(min) = -2.0V AC (pulse width < t<sub>KC</sub>/ 2). Guaranteed by design.  
 V<sub>IHH</sub>(max) = V<sub>DD</sub> + 1.5V AC (pulse width < t<sub>KC</sub>/ 2). Guaranteed by design.



**POWER SUPPLY CHARACTERISTICS<sup>(1)</sup>** (Over Operating Range)

| Symbol           | Parameter                      | Test Conditions                                     | Temp. range         | 6.5<br>MAX |         | 7.5<br>MAX |         | Unit |
|------------------|--------------------------------|---|---------------------|------------|---------|------------|---------|------|
|                  |                                |   |                     | x18        | x32/x36 | x18        | x32/x36 |      |
| I <sub>CC</sub>  | AC Operating<br>Supply Current | Device Selected,                                    | Com.                | 175        | 175     | 155        | 155     | mA   |
|                  |                                | $\overline{OE} = V_{IH}$ , $ZZ \leq V_{IL}$ ,       | Ind.                | 180        | 180     | 160        | 160     |      |
|                  |                                | All Inputs $\leq 0.2V$ or $\geq V_{DD} - 0.2V$ ,    | Auto.               | 190        | 190     | 175        | 175     |      |
|                  |                                | Cycle Time $\geq t_{kc}$ min.                       | typ. <sup>(2)</sup> | 120        |         | 110        |         |      |
| I <sub>SB</sub>  | Standby Current<br>TTL Input   | Device Deselected,                                  | Com.                | 90         | 90      | 90         | 90      | mA   |
|                  |                                | $V_{DD} = \text{Max.}$ ,                            | Ind.                | 100        | 100     | 100        | 100     |      |
|                  |                                | All Inputs $\leq V_{IL}$ or $\geq V_{IH}$ ,         | Auto.               | 120        | 120     | 120        | 120     |      |
| I <sub>SBI</sub> | Standby Current<br>CMOS Input  | Device Deselected,                                  | Com.                | 70         | 70      | 70         | 70      | mA   |
|                  |                                | $V_{DD} = \text{Max.}$ ,                            | Ind.                | 75         | 75      | 75         | 75      |      |
|                  |                                | $V_{IN} \leq V_{SS} + 0.2V$ or $\geq V_{DD} - 0.2V$ | Auto.               | 90         | 90      | 90         | 90      |      |
|                  |                                | $f = 0$   | typ.                | 40         |         | 40         |         |      |
| I <sub>SB2</sub> | Sleep Mode                     | $ZZ > V_{IH}$                                       | Com.                | 30         | 30      | 30         | 30      | mA   |
|                  |                                |   | Ind.                | 35         | 35      | 35         | 35      |      |
|                  |                                |   | Auto.               | 45         | 45      | 45         | 45      |      |
|                  |                                |   | typ.                | 25         |         | 25         |         |      |

**Note:**

- MODE pin has an internal pullup and should be tied to  $V_{DD}$  or  $V_{SS}$ . It exhibits  $\pm 100 \mu A$  maximum leakage current when tied to  $\leq V_{SS} + 0.2V$  or  $\geq V_{DD} - 0.2V$ .
- Typical values are measured at  $V_{DD} = 3.3V$ ,  $T_A = 25^\circ C$  and not 100% tested.

**CAPACITANCE<sup>(1,2)</sup>**

| Symbol           | Parameter                | Conditions     | Max. | Unit |
|------------------|--------------------------|----------------|------|------|
| C <sub>IN</sub>  | Input Capacitance        | $V_{IN} = 0V$  | 6    | pF   |
| C <sub>OUT</sub> | Input/Output Capacitance | $V_{OUT} = 0V$ | 8    | pF   |

**Notes:**

- Tested initially and after any design or process changes that may affect these parameters.
- Test conditions:  $T_A = 25^\circ C$ ,  $f = 1 \text{ MHz}$ ,  $V_{DD} = 3.3V$ .

### 3.3V I/O AC TEST CONDITIONS

| Parameter                                   | Unit                |
|---|---------------------|
| Input Pulse Level                           | 0V to 3.0V          |
| Input Rise and Fall Times                   | 1.5 ns              |
| Input and Output Timing and Reference Level | 1.5V                |
| Output Load                                 | See Figures 1 and 2 |

### AC TEST LOADS

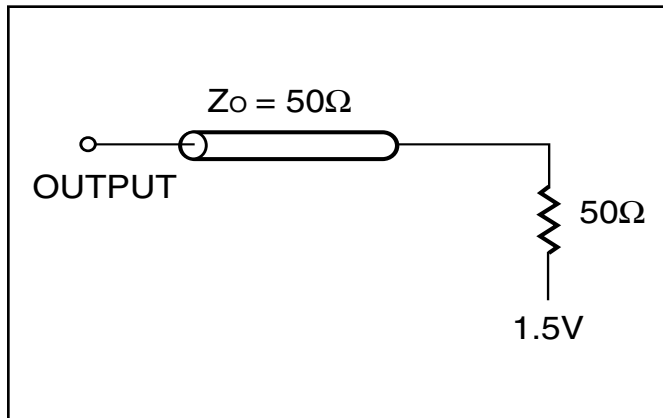


Figure 1

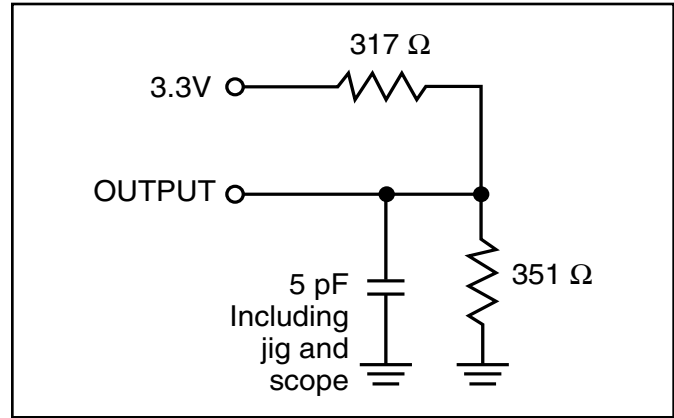


Figure 2

## 2.5V I/O AC TEST CONDITIONS

| Parameter                                   | Unit                |
|---|---------------------|
| Input Pulse Level                           | 0V to 2.5V          |
| Input Rise and Fall Times                   | 1.5 ns              |
| Input and Output Timing and Reference Level | 1.25V               |
| Output Load                                 | See Figures 3 and 4 |

## 2.5V I/O OUTPUT LOAD EQUIVALENT

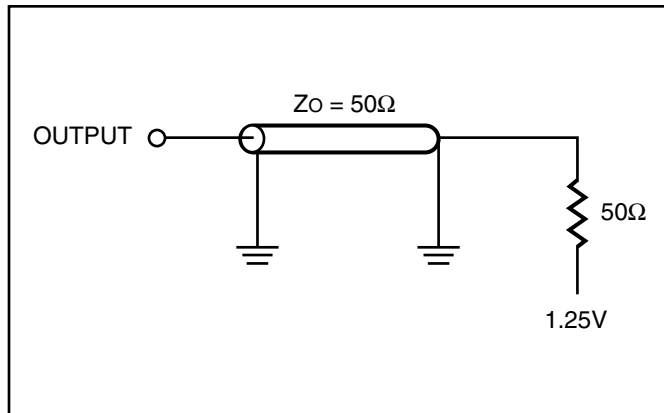


Figure 3

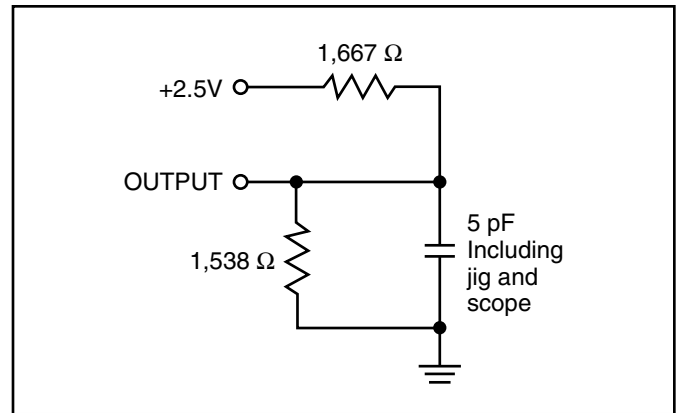


Figure 4



**READ/WRITE CYCLE SWITCHING CHARACTERISTICS<sup>(1)</sup>** (Over Operating Range)

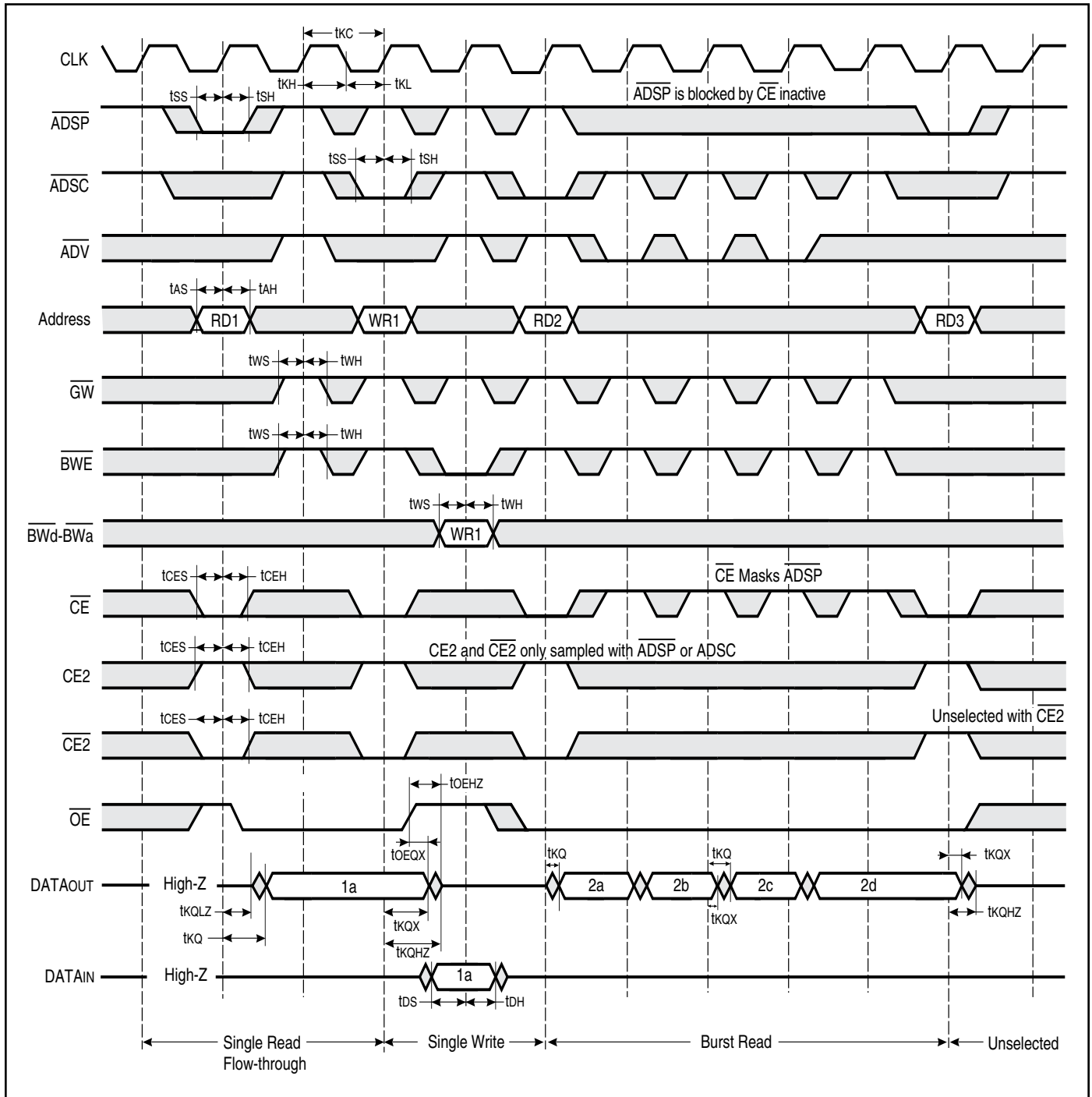
| Symbol                             | Parameter                       | 6.5  |      | 7.5  |      | Unit |
|------------------------------------|---------------------------------|------|------|------|------|------|
|                                    |                                 | Min. | Max. | Min. | Max. |      |
| fmax                               | Clock Frequency                 | —    | 133  | —    | 117  | MHz  |
| t <sub>KC</sub>                    | Cycle Time                      | 7.5  | —    | 8.5  | —    | ns   |
| t <sub>KH</sub>                    | Clock High Time                 | 2.2  | —    | 2.5  | —    | ns   |
| t <sub>KL</sub>                    | Clock Low Time                  | 2.2  | —    | 2.5  | —    | ns   |
| t <sub>KQ</sub>                    | Clock Access Time               | —    | 6.5  | —    | 7.5  | ns   |
| t <sub>KQX</sub> <sup>(2)</sup>    | Clock High to Output Invalid    | 2.5  | —    | 2.5  | —    | ns   |
| t <sub>KQLZ</sub> <sup>(2,3)</sup> | Clock High to Output Low-Z      | 2.5  | —    | 2.5  | —    | ns   |
| t <sub>KQHZ</sub> <sup>(2,3)</sup> | Clock High to Output High-Z     | —    | 3.8  | —    | 4.0  | ns   |
| t <sub>OEQ</sub>                   | Output Enable to Output Valid   | —    | 3.2  | —    | 3.4  | ns   |
| t <sub>OEQX</sub> <sup>(2)</sup>   | Output Enable to Output Invalid | 2.5  | —    | 2.5  | —    | ns   |
| t <sub>OELZ</sub> <sup>(2,3)</sup> | Output Enable to Output Low-Z   | 0    | —    | 0    | —    | ns   |
| t <sub>OEHZ</sub> <sup>(2,3)</sup> | Output Disable to Output High-Z | —    | 3.5  | —    | 3.5  | ns   |
| t <sub>AS</sub>                    | Address Setup Time              | 1.5  | —    | 1.5  | —    | ns   |
| t <sub>SS</sub>                    | Address Status Setup Time       | 1.5  | —    | 1.5  | —    | ns   |
| t <sub>WS</sub>                    | Read/Write Setup Time           | 1.5  | —    | 1.5  | —    | ns   |
| t <sub>CES</sub>                   | Chip Enable Setup Time          | 1.5  | —    | 1.5  | —    | ns   |
| t <sub>AVS</sub>                   | Address Advance Setup Time      | 1.5  | —    | 1.5  | —    | ns   |
| t <sub>DS</sub>                    | Data Setup Time                 | 1.5  | —    | 1.5  | —    | ns   |
| t <sub>AH</sub>                    | Address Hold Time               | 0.5  | —    | 0.5  | —    | ns   |
| t <sub>WH</sub>                    | Write Hold Time                 | 0.5  | —    | 0.5  | —    | ns   |
| t <sub>SH</sub>                    | Address Status Hold Time        | 0.5  | —    | 0.5  | —    | ns   |
| t <sub>CEH</sub>                   | Chip Enable Hold Time           | 0.5  | —    | 0.5  | —    | ns   |
| t <sub>AVH</sub>                   | Address Advance Hold Time       | 0.5  | —    | 0.5  | —    | ns   |
| t <sub>DH</sub>                    | Data Hold Time                  | 0.5  | —    | 0.5  | —    | ns   |
| t <sub>PDS</sub>                   | ZZ High to Power Down           | —    | 2    | —    | 2    | cyc  |
| t <sub>PUS</sub>                   | ZZ Low to Power Down            | —    | 2    | —    | 2    | cyc  |

**Notes:**

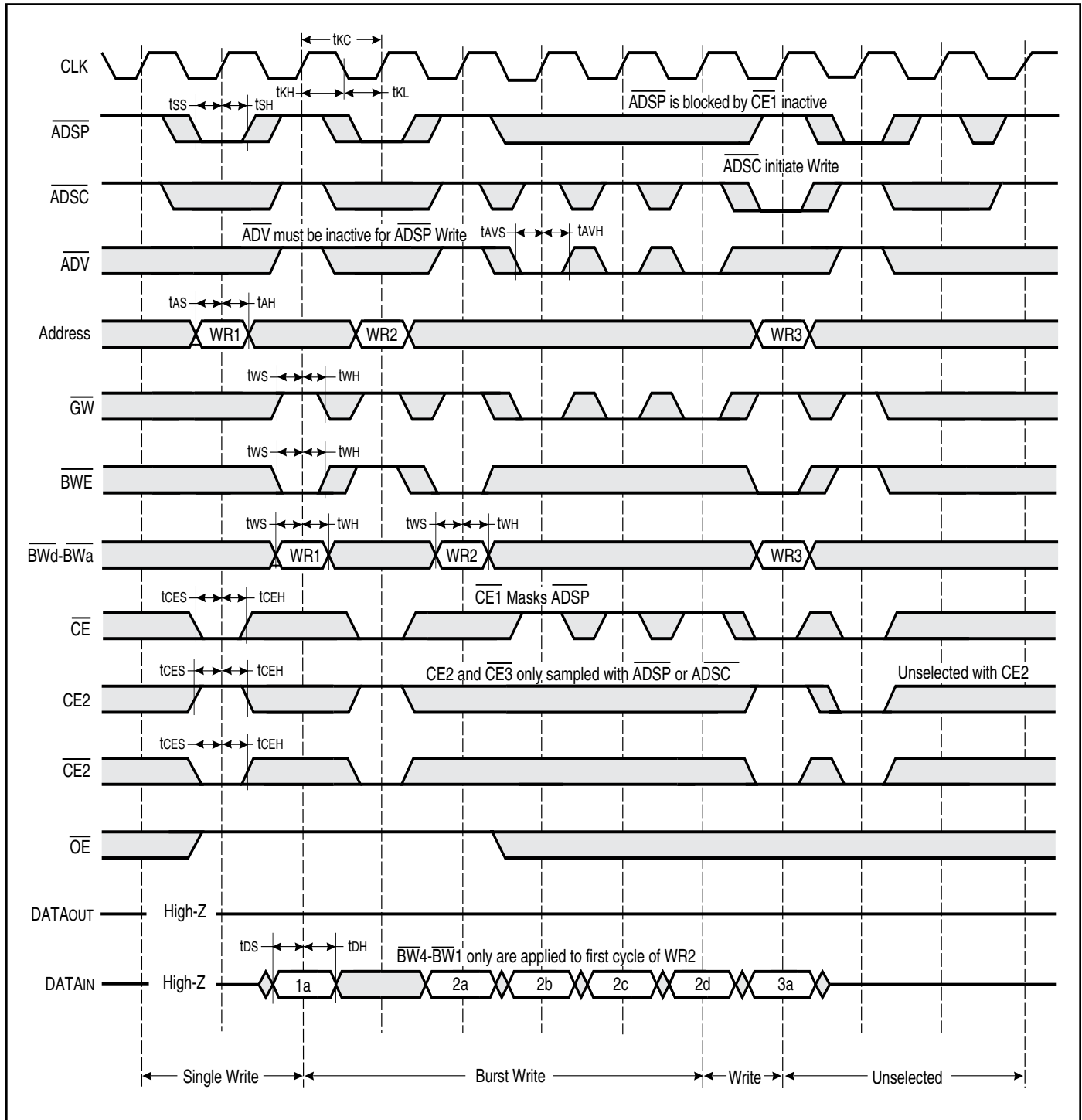
1. Configuration signal MODE is static and must not change during normal operation.
2. Guaranteed but not 100% tested. This parameter is periodically sampled.
3. Tested with load in Figure 2.



**READ/WRITE CYCLE TIMING**



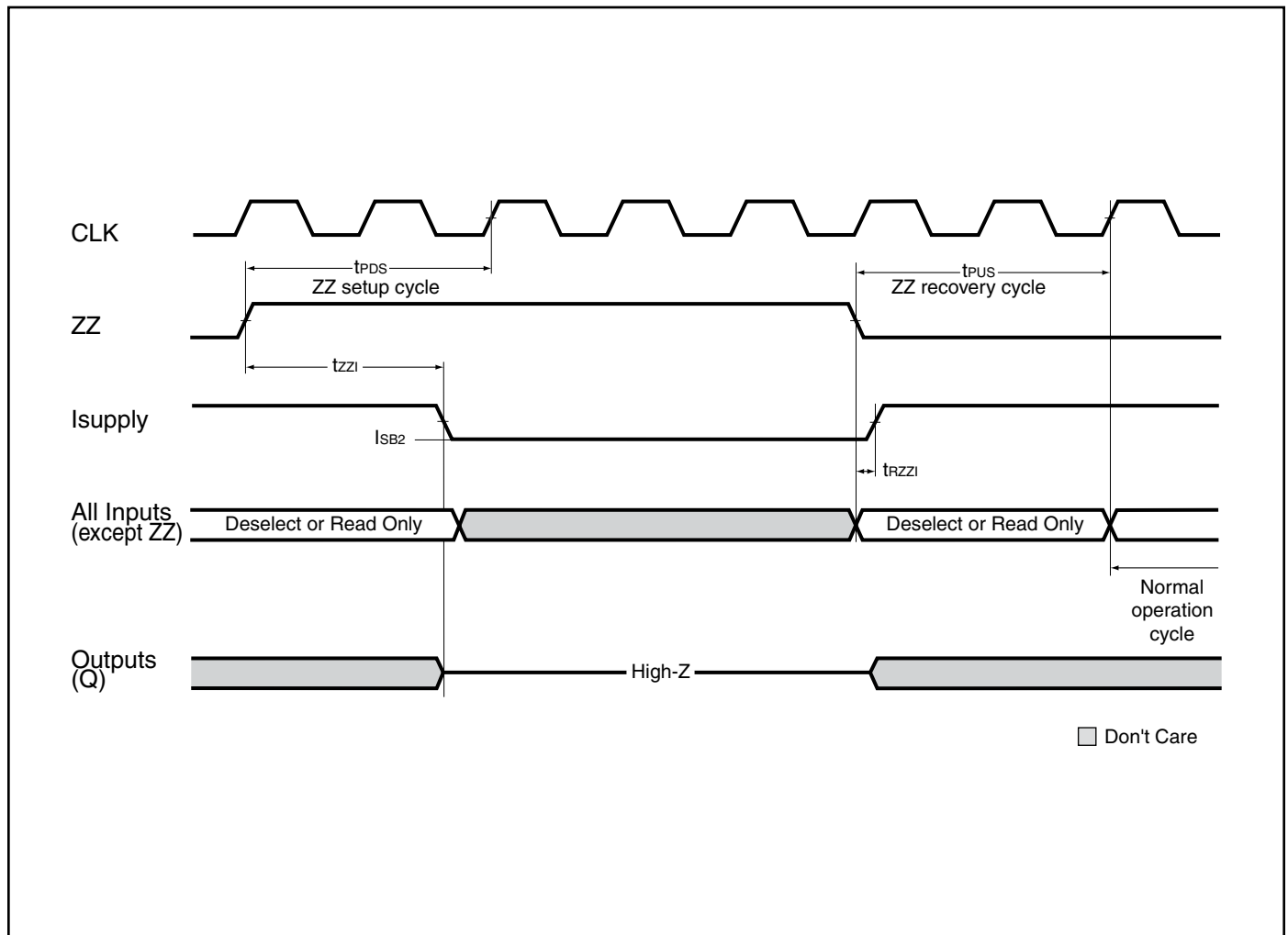
WRITE CYCLE TIMING



### SNOOZE MODE ELECTRICAL CHARACTERISTICS

| Symbol | Parameter                          | Conditions | Min. | Max. | Unit  |
|--------|------------------------------------|------------|------|------|-------|
| ISB2   | Current during SNOOZE MODE         | ZZ ≥ Vih   | —    | 60   | mA    |
| tPDS   | ZZ active to input ignored         |            | —    | 2    | cycle |
| tPUS   | ZZ inactive to input sampled       |            | 2    | —    | cycle |
| tZZI   | ZZ active to SNOOZE current        |            | —    | 2    | cycle |
| tRZZI  | ZZ inactive to exit SNOOZE current |            | 0    | —    | ns    |

### SNOOZE MODE TIMING





**ORDERING INFORMATION ( $V_{DD} = 3.3V/V_{DDQ} = 2.5V/3.3V$ )**

**Commercial Range: 0°C to +70°C**

| Configuration | Access Time | Order Part Number   | Package             |
|---------------|-------------|---------------------|---------------------|
| 128Kx32       | 6.5         | IS61LF12832A-6.5TQ  | 100 TQFP            |
|               |             | IS61LF12832A-6.5B2  | 119 PBGA            |
|               |             | IS61LF12832A-6.5B3  | 165 PBGA            |
| 128Kx32       | 7.5         | IS61LF12832A-7.5TQ  | 100 TQFP            |
|               |             | IS61LF12832A-7.5B2  | 119 PBGA            |
|               |             | IS61LF12832A-7.5B3  | 165 PBGA            |
| 128Kx36       | 6.5         | IS61LF12836A-6.5TQ  | 100 TQFP            |
|               |             | IS61LF12836A-6.5B2  | 119 PBGA            |
|               |             | IS61LF12836A-6.5B3  | 165 PBGA            |
| 128Kx36       | 7.5         | IS61LF12836A-7.5TQ  | 100 TQFP            |
|               |             | IS61LF12836A-7.5B2  | 119 PBGA            |
|               |             | IS61LF12836A-7.5B3  | 165 PBGA            |
| 256Kx18       | 6.5         | IS61LF25618A-6.5TQ  | 100 TQFP            |
|               |             | IS61LF25618A-6.5TQL | 100 TQFP, Lead-free |
|               |             | IS61LF25618A-6.5B2  | 119 PBGA            |
|               |             | IS61LF25618A-6.5B3  | 165 PBGA            |
| 256Kx18       | 7.5         | IS61LF25618A-7.5TQ  | 100 TQFP            |
|               |             | IS61LF25618A-7.5B2  | 119 PBGA            |
|               |             | IS61LF25618A-7.5B3  | 165 PBGA            |



**ORDERING INFORMATION ( $V_{DD} = 3.3V/V_{DDQ} = 2.5V/3.3V$ )**

**Industrial Range: -40°C to +85°C**

| Configuration | Access Time | Order Part Number    | Package             |
|---------------|-------------|----------------------|---------------------|
| 128Kx32       | 6.5         | IS61LF12832A-6.5TQI  | 100 TQFP            |
|               |             | IS61LF12832A-6.5B2I  | 119 PBGA            |
|               |             | IS61LF12832A-6.5B3I  | 165 PBGA            |
| 128Kx32       | 7.5         | IS61LF12832A-7.5TQI  | 100 TQFP            |
|               |             | IS61LF12832A-7.5TQLI | 100 TQFP, Lead-free |
|               |             | IS61LF12832A-7.5B2I  | 119 PBGA            |
|               |             | IS61LF12832A-7.5B3I  | 165 PBGA            |
| 128Kx36       | 6.5         | IS61LF12836A-6.5TQI  | 100 TQFP            |
|               |             | IS61LF12836A-6.5TQLI | 100 TQFP, Lead-free |
|               |             | IS61LF12836A-6.5B2I  | 119 PBGA            |
|               |             | IS61LF12836A-6.5B3I  | 165 PBGA            |
| 128Kx36       | 7.5         | IS61LF12836A-7.5TQI  | 100 TQFP            |
|               |             | IS61LF12836A-7.5TQLI | 100 TQFP, Lead-free |
|               |             | IS61LF12836A-7.5B2I  | 119 PBGA            |
|               |             | IS61LF12836A-7.5B3I  | 165 PBGA            |
| 256Kx18       | 6.5         | IS61LF25618A-6.5TQI  | 100 TQFP            |
|               |             | IS61LF25618A-6.5B2I  | 119 PBGA            |
|               |             | IS61LF25618A-6.5B3I  | 165 PBGA            |
| 256Kx18       | 7.5         | IS61LF25618A-7.5TQI  | 100 TQFP            |
|               |             | IS61LF25618A-7.5TQLI | 100 TQFP, Lead-free |
|               |             | IS61LF25618A-7.5B2I  | 119 PBGA            |
|               |             | IS61LF25618A-7.5B3I  | 165 PBGA            |

**Automotive Range: -40°C to +125°C**

| Configuration | Access Time | Order Part Number     | Package             |
|---------------|-------------|-----------------------|---------------------|
| 128Kx32       | 7.5         | IS64LF12832A-7.5TQA3  | 100 TQFP            |
|               |             | IS64LF12832A-7.5TQLA3 | 100 TQFP, Lead-free |
| 128Kx36       | 7.5         | IS64LF12836A-7.5TQA3  | 100 TQFP            |
|               |             | IS64LF12836A-7.5B3LA3 | 165 PBGA, Lead-free |
| 256Kx18       | 7.5         | IS64LF25618A-7.5TQA3  | 100 TQFP            |



**ORDERING INFORMATION (V<sub>DD</sub> = 2.5V /V<sub>DDQ</sub> = 2.5V)**

**Commercial Range: 0°C to +70°C**

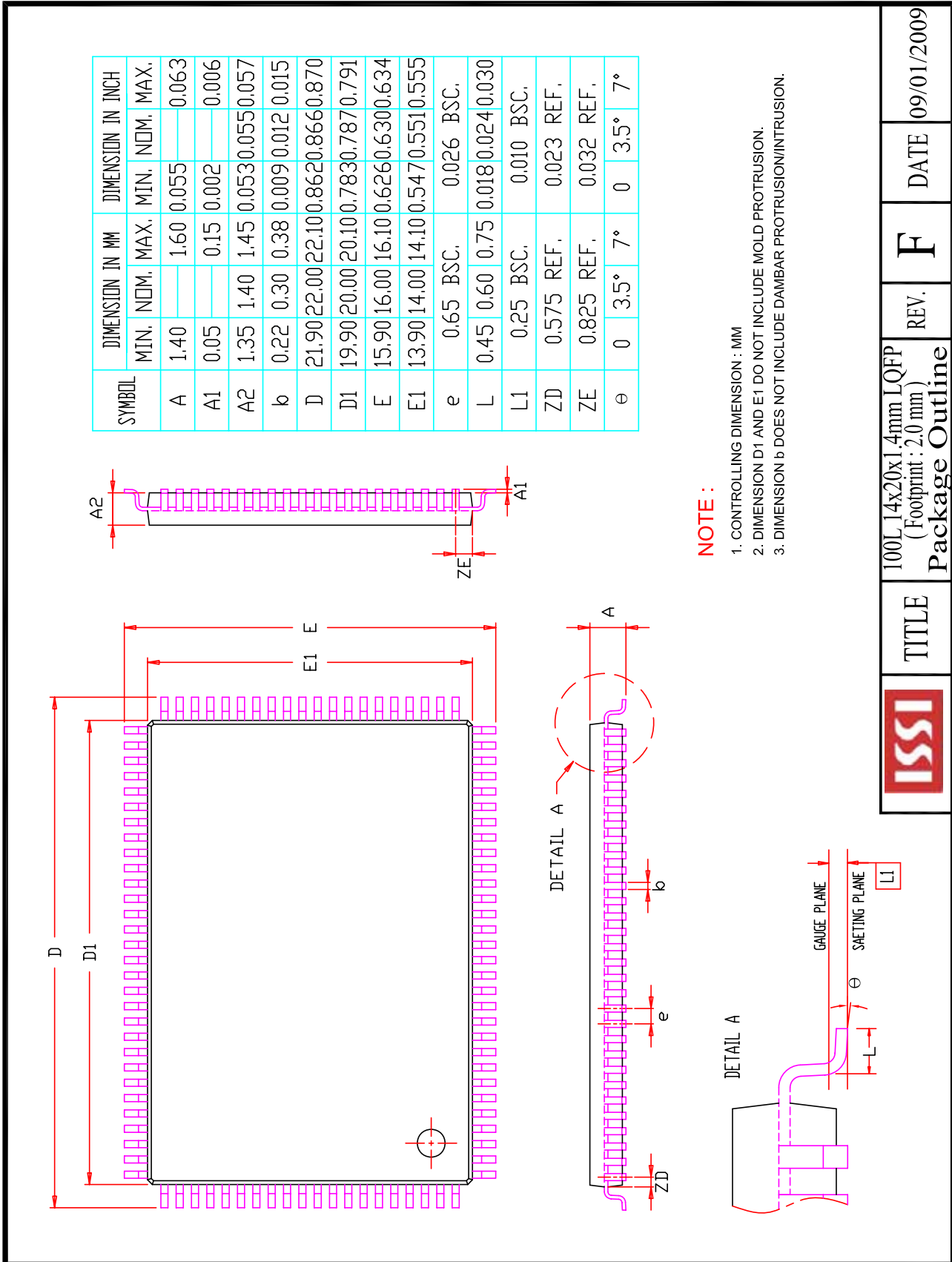
| Configuration | Access Time | Order Part Number  | Package  |
|---------------|-------------|--------------------|----------|
| 128Kx36       | 6.5         | IS61VF12836A-6.5TQ | 100 TQFP |
|               |             | IS61VF12836A-6.5B2 | 119 PBGA |
|               |             | IS61VF12836A-6.5B3 | 165 PBGA |
| 128Kx36       | 7.5         | IS61VF12836A-7.5TQ | 100 TQFP |
|               |             | IS61VF12836A-7.5B2 | 119 PBGA |
|               |             | IS61VF12836A-7.5B3 | 165 PBGA |
| 256Kx18       | 6.5         | IS61VF25618A-6.5TQ | 100 TQFP |
|               |             | IS61VF25618A-6.5B2 | 119 PBGA |
|               |             | IS61VF25618A-6.5B3 | 165 PBGA |
| 256Kx18       | 7.5         | IS61VF25618A-7.5TQ | 100 TQFP |
|               |             | IS61VF25618A-7.5B2 | 119 PBGA |
|               |             | IS61VF25618A-7.5B3 | 165 PBGA |

**Industrial Range: -40°C to +85°C**

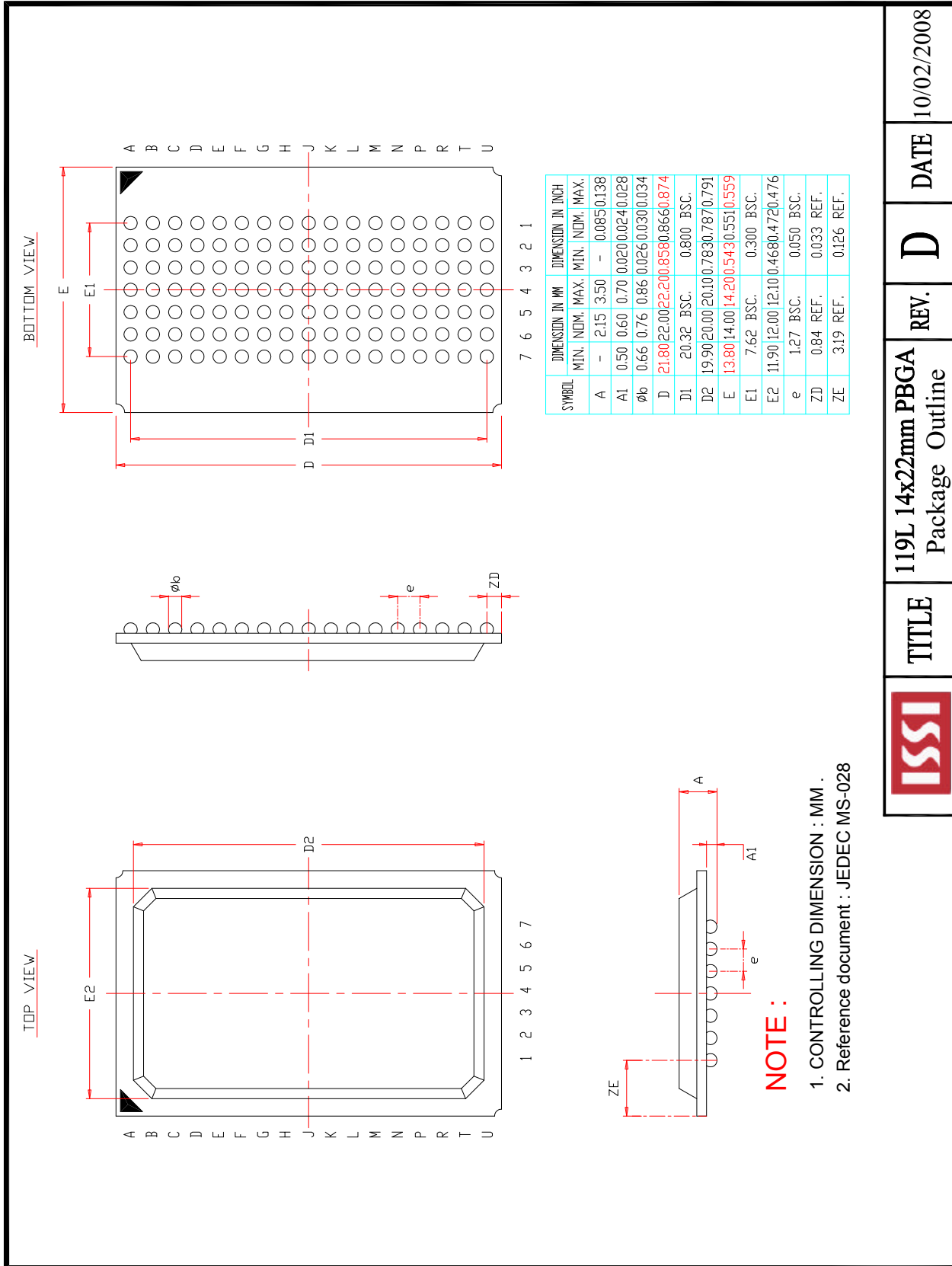
| Configuration | Access Time | Order Part Number   | Package  |
|---------------|-------------|---------------------|----------|
| 128Kx36       | 6.5         | IS61VF12836A-6.5TQI | 100 TQFP |
|               |             | IS61VF12836A-6.5B2I | 119 PBGA |
|               |             | IS61VF12836A-6.5B3I | 165 PBGA |
| 128Kx36       | 7.5         | IS61VF12836A-7.5TQI | 100 TQFP |
|               |             | IS61VF12836A-7.5B2I | 119 PBGA |
|               |             | IS61VF12836A-7.5B3I | 165 PBGA |
| 256Kx18       | 6.5         | IS61VF25618A-6.5TQI | 100 TQFP |
|               |             | IS61VF25618A-6.5B2I | 119 PBGA |
|               |             | IS61VF25618A-6.5B3I | 165 PBGA |
| 256Kx18       | 7.5         | IS61VF25618A-7.5TQI | 100 TQFP |
|               |             | IS61VF25618A-7.5B2I | 119 PBGA |
|               |             | IS61VF25618A-7.5B3I | 165 PBGA |

**Automotive Range: -40°C to +125°C**

| Configuration | Access Time | Order Part Number     | Package             |
|---------------|-------------|-----------------------|---------------------|
| 128Kx32       | 7.5         | IS64VF12832A-7.5TQLA3 | 100 TQFP, Lead-free |
| 128Kx36       | 7.5         | IS64VF12836A-7.5TQA3  | 100 TQFP            |
| 256Kx18       | 7.5         | IS64VF25618A-7.5TQA3  | 100 TQFP            |

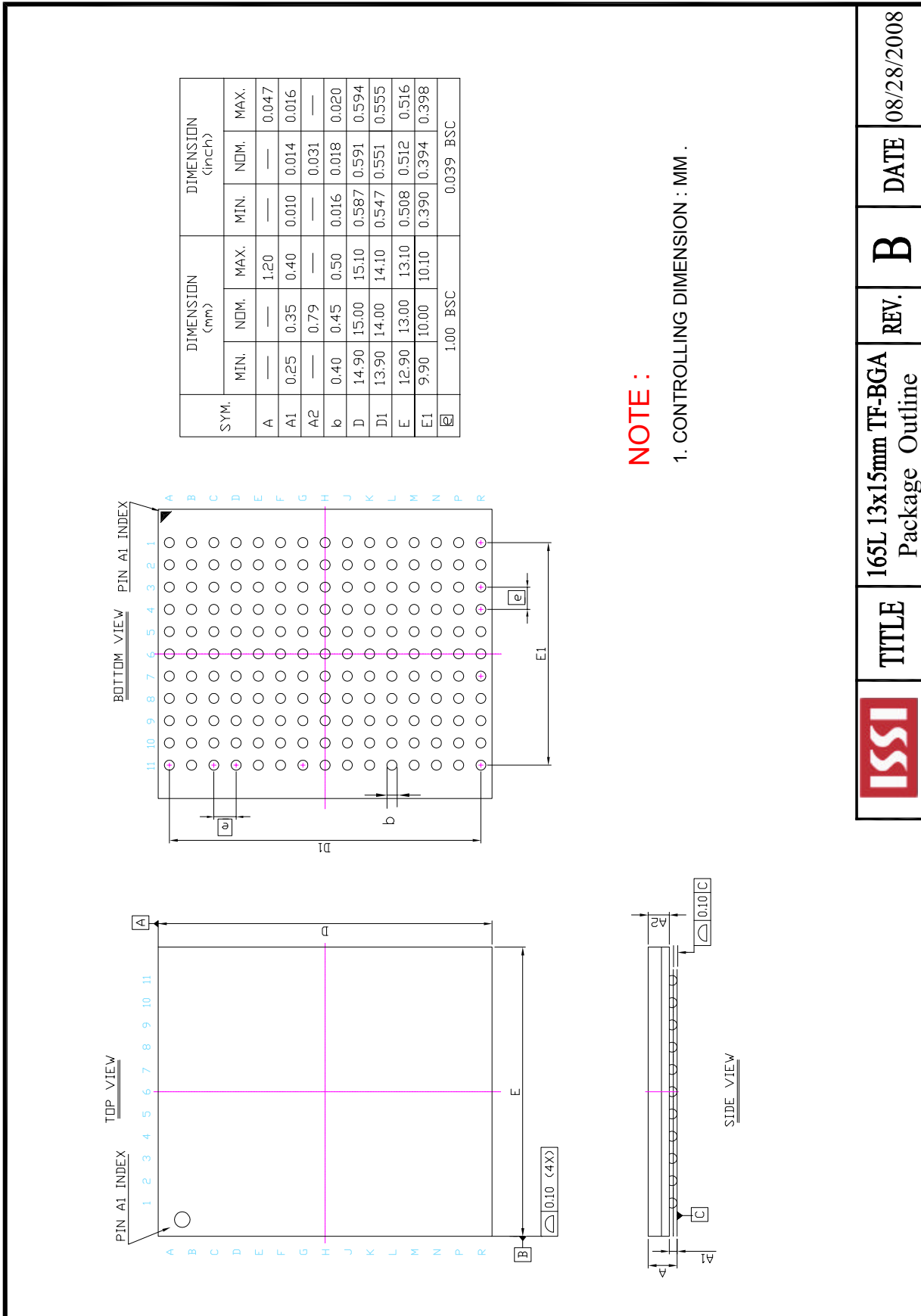


|  |   |      |            |
|--|---|------|------------|
|  | TITLE   | REV. | DATE       |
|  | 100L14x20x1.4mm LQFP<br>(Footprint : 2.0 mm)<br>Package Outline | F    | 09/01/2009 |



|  |       |                                      |      |   |      |            |
|--|-------|--------------------------------------|------|---|------|------------|
|  | TITLE | 119L 14x22mm PBGA<br>Package Outline | REV. | D | DATE | 10/02/2008 |
|--|-------|--------------------------------------|------|---|------|------------|





|  |              |  |             |          |             |            |
|--|--------------|--|-------------|----------|-------------|------------|
|  | <b>TITLE</b> | 165L 13x15mm TF-BGA<br>Package Outline | <b>REV.</b> | <b>B</b> | <b>DATE</b> | 08/28/2008 |
|--|--------------|--|-------------|----------|-------------|------------|



Компания «ЭлектроПласт» предлагает заключение долгосрочных отношений при поставках импортных электронных компонентов на взаимовыгодных условиях!

Наши преимущества:

- Оперативные поставки широкого спектра электронных компонентов отечественного и импортного производства напрямую от производителей и с крупнейших мировых складов;
- Поставка более 17-ти миллионов наименований электронных компонентов;
- Поставка сложных, дефицитных, либо снятых с производства позиций;
- Оперативные сроки поставки под заказ (от 5 рабочих дней);
- Экспресс доставка в любую точку России;
- Техническая поддержка проекта, помощь в подборе аналогов, поставка прототипов;
- Система менеджмента качества сертифицирована по Международному стандарту ISO 9001;
- Лицензия ФСБ на осуществление работ с использованием сведений, составляющих государственную тайну;
- Поставка специализированных компонентов (Xilinx, Altera, Analog Devices, Intersil, Interpoint, Microsemi, Aeroflex, Peregrine, Syfer, Eurofarad, Texas Instrument, Miteq, Cobham, E2V, MA-COM, Hittite, Mini-Circuits, General Dynamics и др.);

Помимо этого, одним из направлений компании «ЭлектроПласт» является направление «Источники питания». Мы предлагаем Вам помощь Конструкторского отдела:

- Подбор оптимального решения, техническое обоснование при выборе компонента;
- Подбор аналогов;
- Консультации по применению компонента;
- Поставка образцов и прототипов;
- Техническая поддержка проекта;
- Защита от снятия компонента с производства.



#### Как с нами связаться

**Телефон:** 8 (812) 309 58 32 (многоканальный)

**Факс:** 8 (812) 320-02-42

**Электронная почта:** [org@eplast1.ru](mailto:org@eplast1.ru)

**Адрес:** 198099, г. Санкт-Петербург, ул. Калинина, дом 2, корпус 4, литера А.