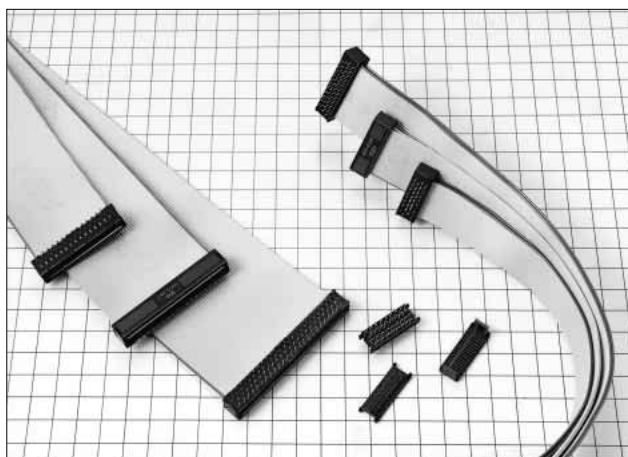


# 1.27mm Pitch Connector Directly Mounted on Board

## HIF12 Series



### ■ Features

#### 1. Directly Mounted on Board

This connector, which is directly mounted on the board, can insulate and displace the 1.27mm pitch flat cable at a time.

#### 2. Broad Connection

Using the 1.27mm pitch flat cable, this connector can be combined with HIF2E, HIF3B, HIF5, and HIF6.

#### 3. Applicable Cable

The applicable cable is UL2651 AWG#28 flat cable (7 cores/.0.127mm, jacket dia. :0.8 to 1.0mm).

### ■ Applications

Computers, terminal equipment, various kinds of business machines.

### ■ Product Specifications

Rating	Current rating: 0.5A Voltage rating: 125V AC	Operating Temperature Range: -55 to +85°C (Note 1) Operating Moisture Range: 40 to 80%	Storage Temperature Range: -10 to +60°C (Note 2) Storage Humidity Range: 40 to 70% (Note 2)
--------	---	---	--

Item	Specification	Condition
1. Insulation Resistance	1000M ohms min.	250V DC
2. Withstanding voltage	No flashover or insulation breakdown.	300V AC/1 minute
3. Contact Resistance	30m ohms max.	0.1A
4. Vibration	No electrical discontinuity of 1 $\mu$ s or more	Frequency: 10 to 55 Hz, single amplitude of 0.75 mm, 2 hours in each of the 3 directions.
5. Humidity (Steady state)	Insulation resistance: 1000M ohms min.	96 hours at temperature of 40°C and humidity of 90% to 95%
6. Temperature Cycle	No damage, cracks, or parts looseness.	(-55°C: 30 minutes → 15 to 35°C: 5 minutes max. 85°C: 30 minutes → 15 to 35°C: 5 minutes max.) 5 cycles
7. Resistance to Soldering heat	No deformation of components affecting performance.	Solder Bath: 260°C for 10 seconds
		Manual soldering: 360°C for 5 seconds

Note 1: Includes temperature rise caused by current flow.

Note 2: The term "storage" refers to products stored for long period of time prior to mounting and use. Operating Temperature Range and Humidity range covers non conducting condition of installed connectors in storage, shipment or during transportation.

Note 3: Information contained in this catalog represents general requirements for this Series. Contact us for the drawings and specifications for a specific part number shown.

### ■ Material

Part	Material	Finish	Remarks
Insulator	PBT	Black	UL94V-0
Contact	Beryllium copper	Gold plated	————

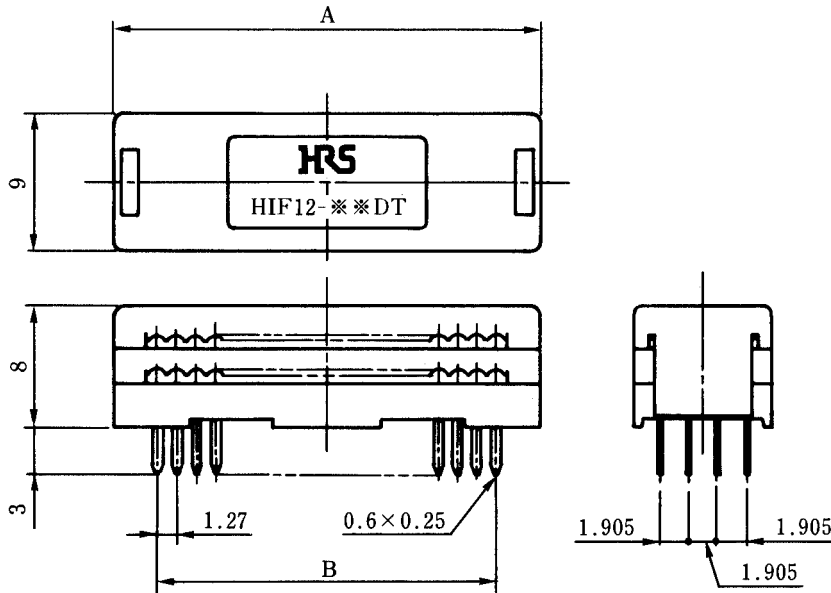
## Ordering Information

**HIF12** - **\*** **DT** - **1.27** **R**

①
②
③
④
⑤

① Series Name	: HIF 12
② Number of contacts	: 34, 40, 50, 52, 60, 68, 80, 100
③ Contact alignment	: 4-row staggered
④ Contact Pitch	: 1.27mm
⑤ R	: Ribbon-cable

## Combination Pattern

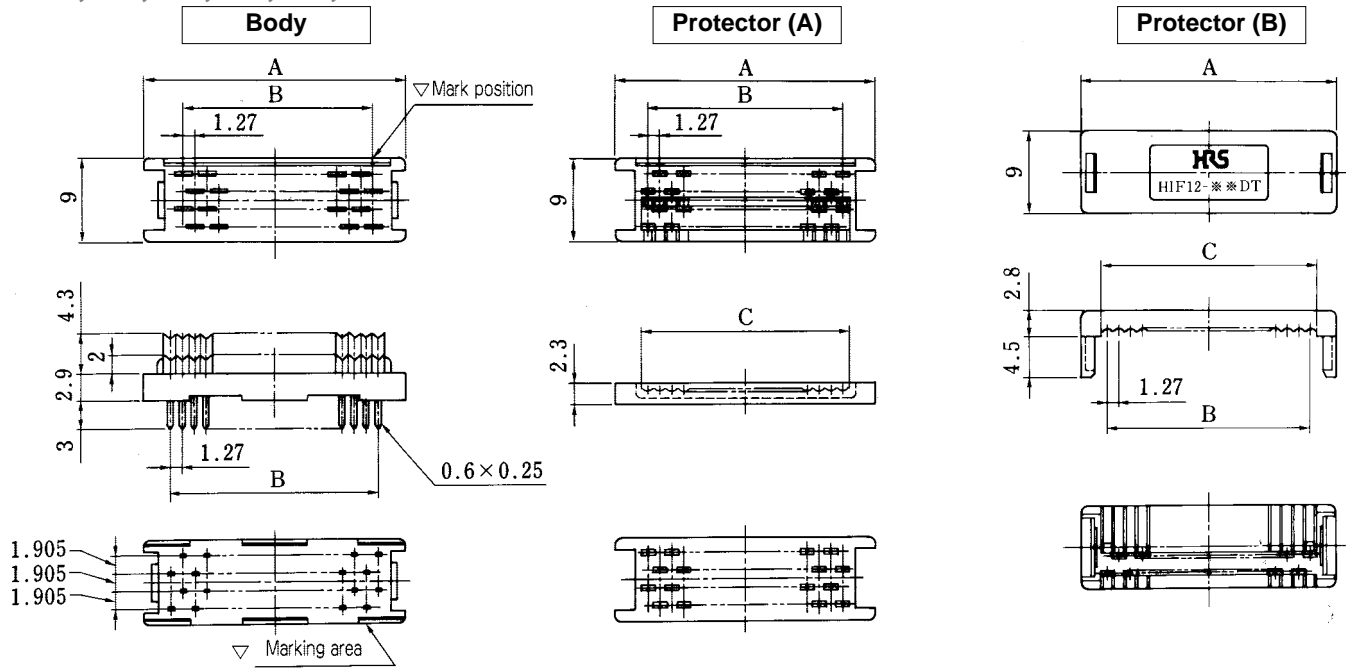


Unit: mm

Number of Contacts	34	40	50	52	60	68	80	100
A	26.06	29.87	36.22	37.49	42.57	47.65	55.27	67.97
B	20.32	24.13	30.48	31.75	36.83	41.91	49.53	62.23

**HIF12 Series 1.27mm Pitch Connector Directly Mounted on Board**

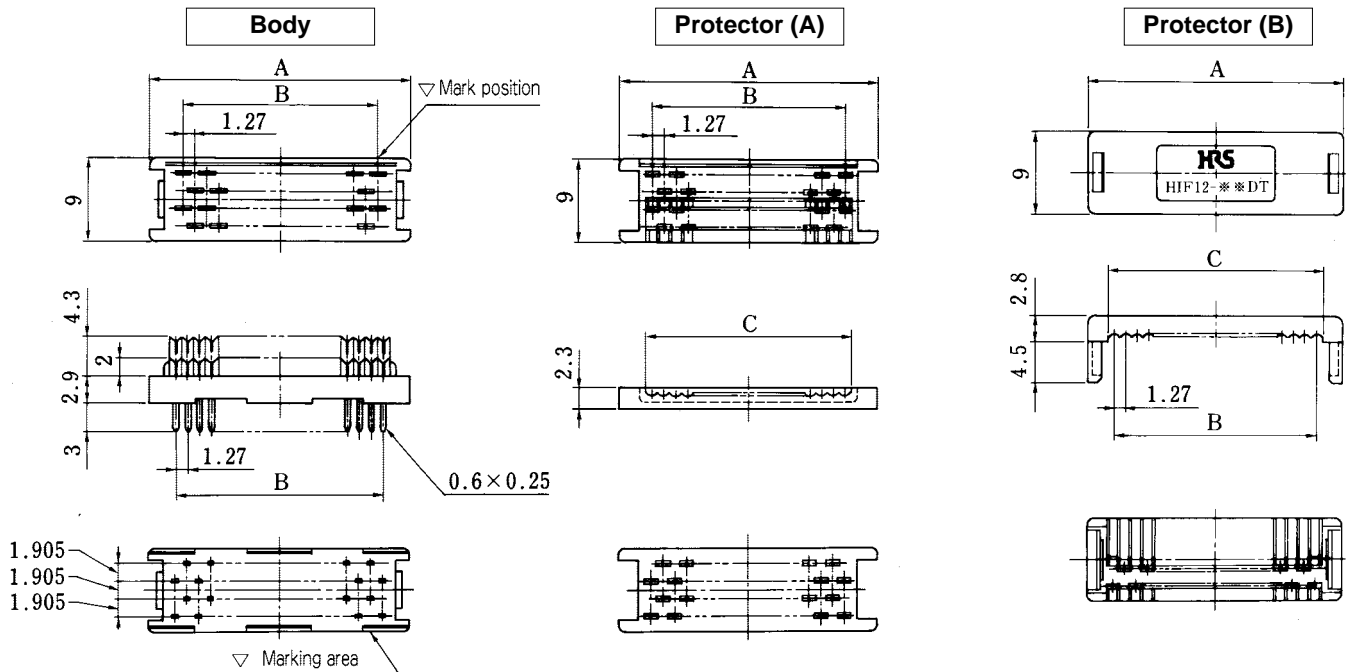
**■40, 52, 60, 68, 80, 100 contacts**



Unit: mm

Part Number	CL No.	Number of Contacts	A	B	C	RoHS
HIF12- 40DT-1.27R(71)	660-0005-7-71	40	29.87	24.13	25.55	YES
HIF12- 52DT-1.27R(71)	660-0007-2-71	52	37.49	31.75	33.17	
HIF12- 60DT-1.27R(71)	660-0008-5-71	60	42.57	36.83	38.25	
HIF12- 68DT-1.27R(71)	660-0009-8-71	68	47.65	41.91	43.33	
HIF12- 80DT-1.27R(71)	660-0010-7-71	80	55.27	49.53	50.95	
HIF12-100DT-1.27R(71)	660-0011-0-71	100	67.97	62.23	63.65	

**■34, 50 contacts**



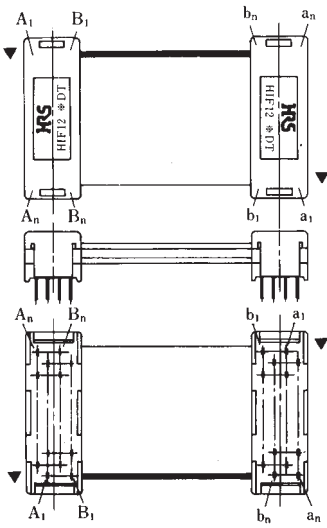
Unit: mm

Part Number	CL No.	Number of Contacts	A	B	C	RoHS
HIF12-34DT-1.27R(71)	660-0004-4-71	34	26.06	20.32	21.74	YES
HIF12-50DT-1.27R(71)	660-0006-0-71	50	36.22	30.48	31.9	

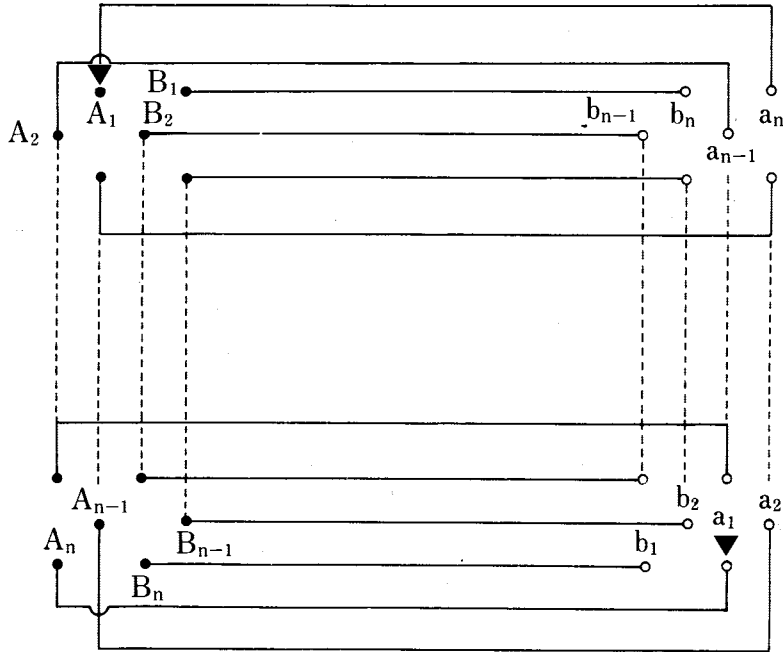
## ◆HIF12-HIF12 Connection Circuit Diagram 40, 52, 60, 68, 80, 100 contacts

### ●Type A, B

$$n = \frac{\text{number of contacts}}{2}$$

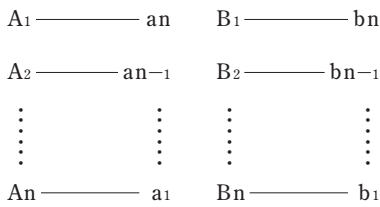


Note: In the connection circuit diagram as shown, don't connect to pin No. 2. For connection to pin No. 2, contact Hirose HIF Engineering Department.

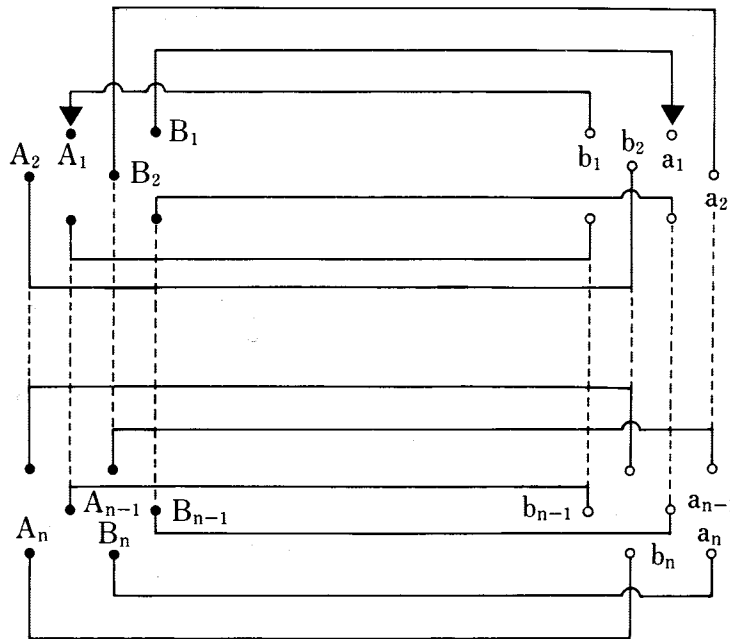
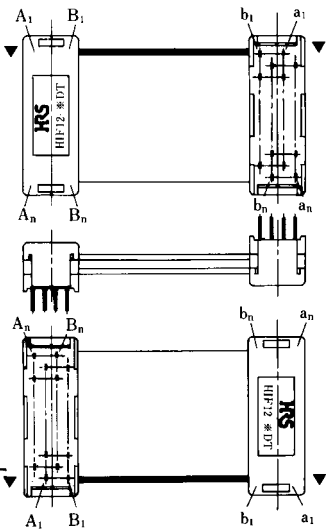


Cable 1 Connection

Cable 2 Connection

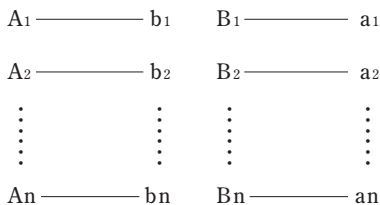


### ●Type A, A



Cable 1 Connection

Cable 2 Connection

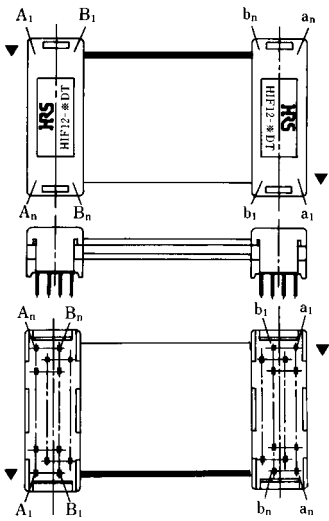


HIF12 Series 1.27mm Pitch Connector Directly Mounted on Board

◆ HIF12-HIF6 Connection Circuit Diagram 34, 50 contacts

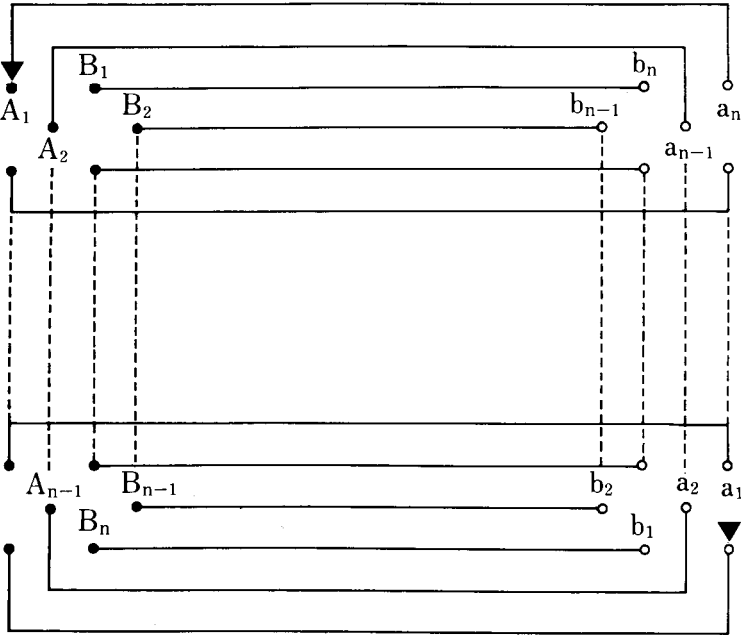
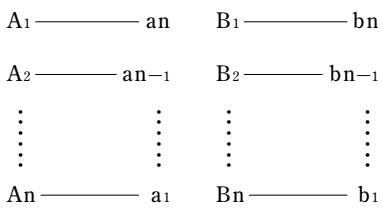
● Type A, B

$$n = \frac{\text{number of contacts}}{2}$$

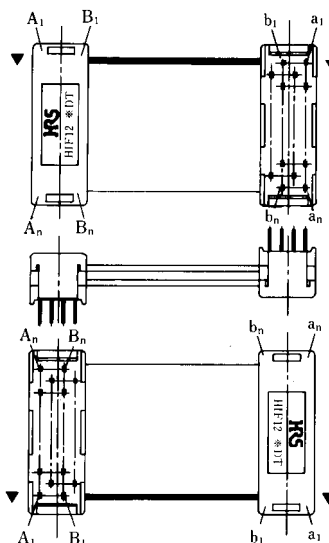


Cable 1 Connection

Cable 2 Connection

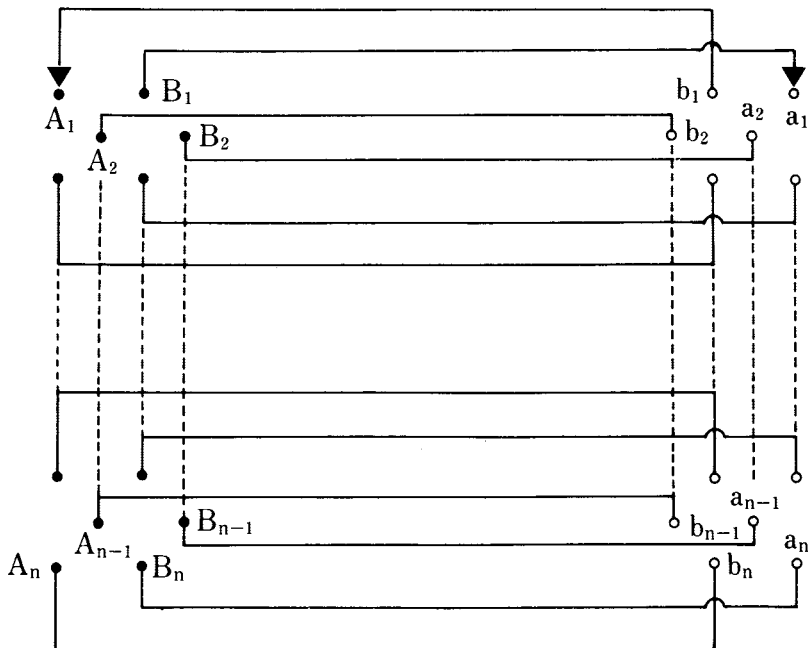
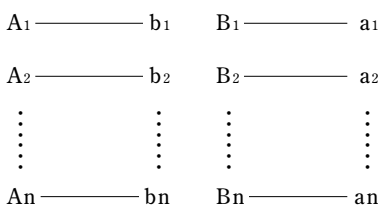


● Type A, A



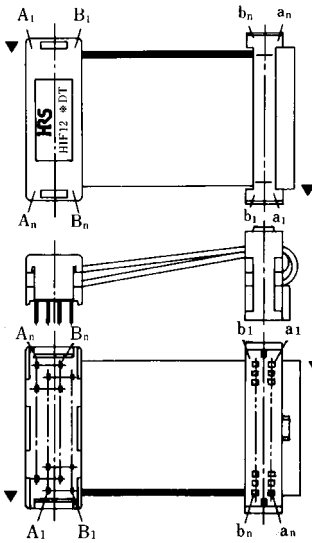
Cable 1 Connection

Cable 2 Connection



## ◆HIF12-HIF6 Connection Circuit Diagram 40, 52, 60, 68, 80, 100 contacts

### ●Type A, B

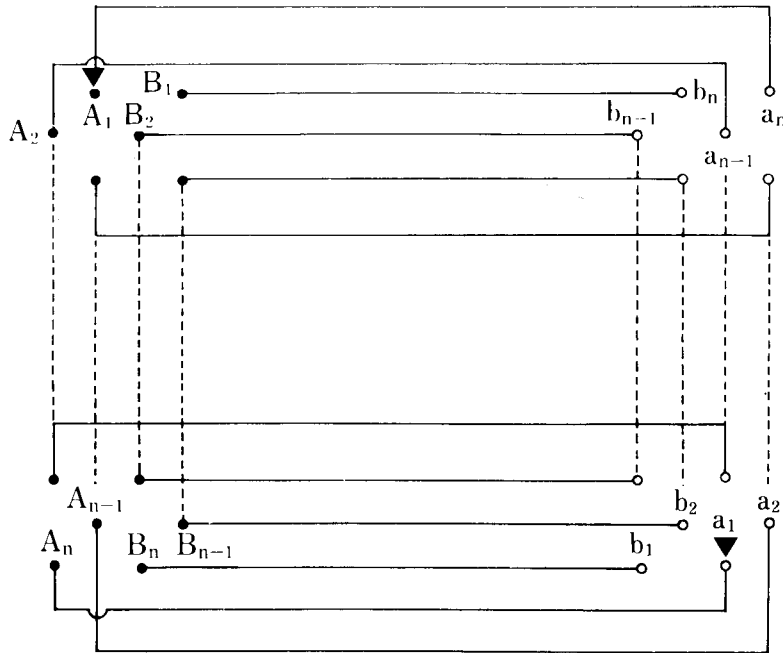


Cable 1 Connection      Cable 2 Connection

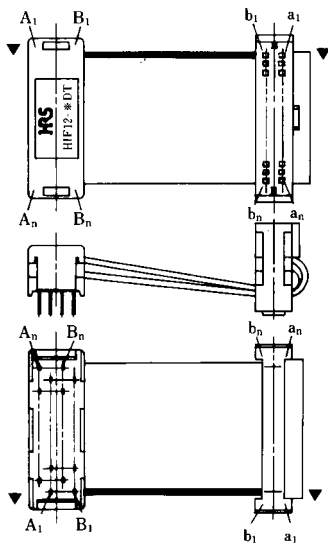
A1	—	a <sub>n</sub>	B1	—	b <sub>n</sub>
A2	—	a <sub>n-1</sub>	B2	—	b <sub>n-1</sub>
⋮		⋮	⋮		⋮
A <sub>n</sub>	—	a <sub>1</sub>	B <sub>n</sub>	—	b <sub>1</sub>

Note: In the connection circuit diagram as shown, don't connect to pin No. 2. For connection to pin No. 2, contact Hirose HIF Engineering Department.

$$n = \frac{\text{number of contacts}}{2}$$

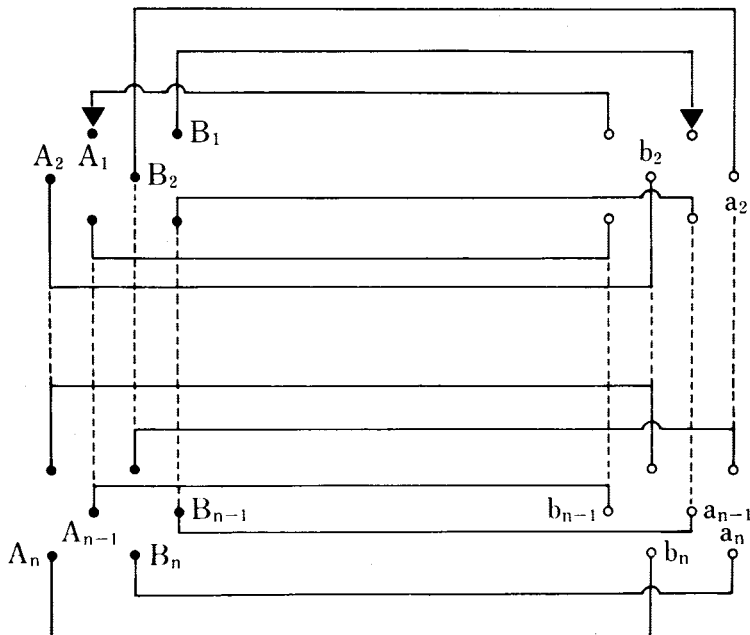


### ●Type A, A



Cable 1 Connection      Cable 2 Connection

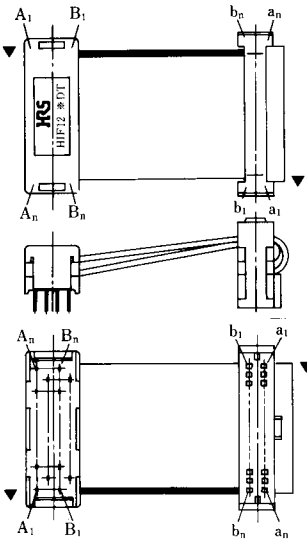
A1	—	b <sub>1</sub>	B1	—	a <sub>1</sub>
A2	—	b <sub>2</sub>	B2	—	a <sub>2</sub>
⋮		⋮	⋮		⋮
A <sub>n</sub>	—	b <sub>n</sub>	B <sub>n</sub>	—	a <sub>n</sub>



HIF12 Series 1.27mm Pitch Connector Directly Mounted on Board

◆ HIF12-HIF12 Connection Circuit Diagram 34, 50 contacts

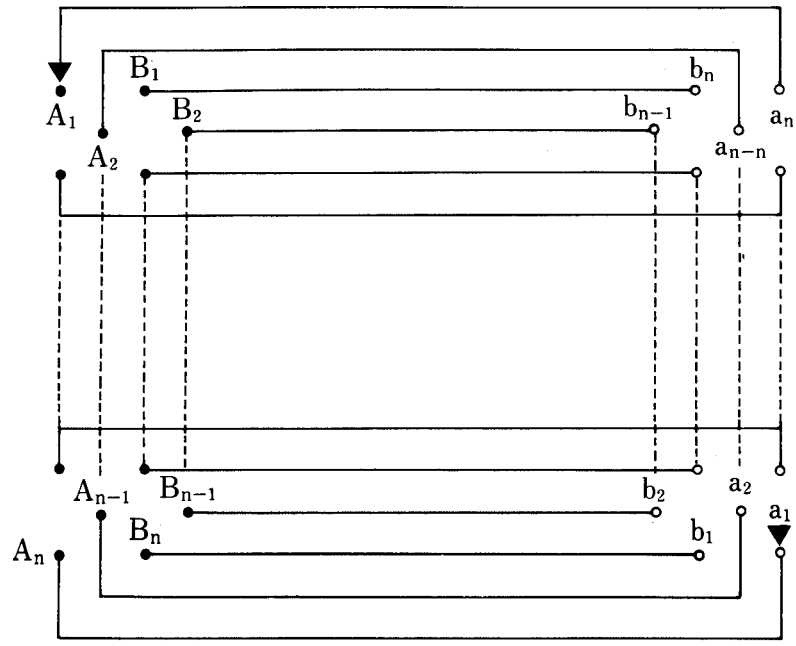
● Type A, B



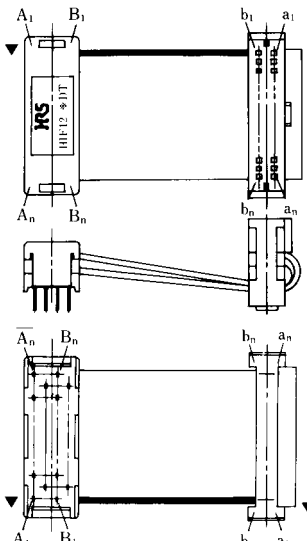
Cable 1 Connection      Cable 2 Connection

A <sub>1</sub> ——— A <sub>n</sub>	B <sub>1</sub> ——— b <sub>n</sub>
A <sub>2</sub> ——— a <sub>n-1</sub>	B <sub>2</sub> ——— b <sub>n-1</sub>
⋮	⋮
A <sub>n</sub> ——— a <sub>1</sub>	B <sub>n</sub> ——— b <sub>1</sub>

$$n = \frac{\text{number of contacts}}{2}$$

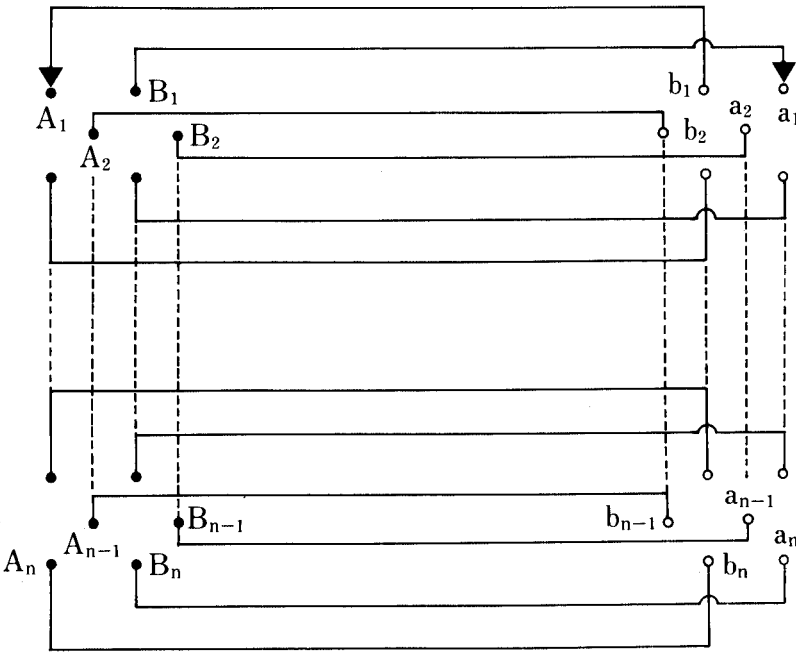


● Type A, A

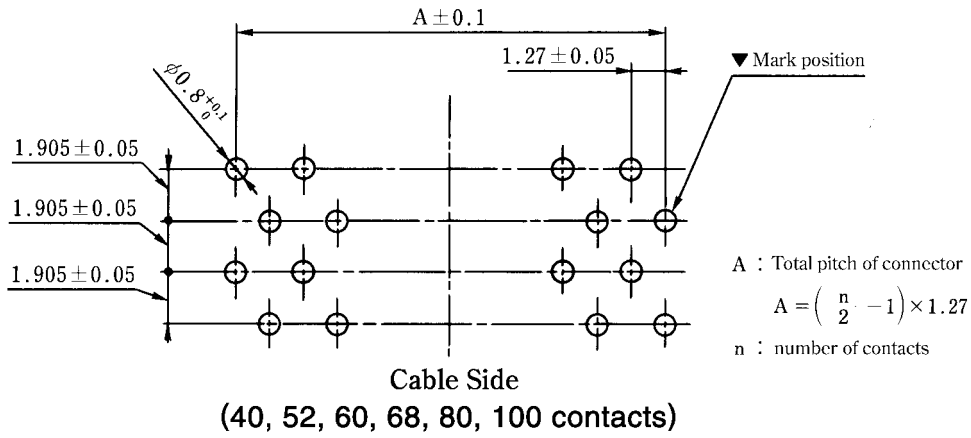


Cable 1 Connection      Cable 2 Connection

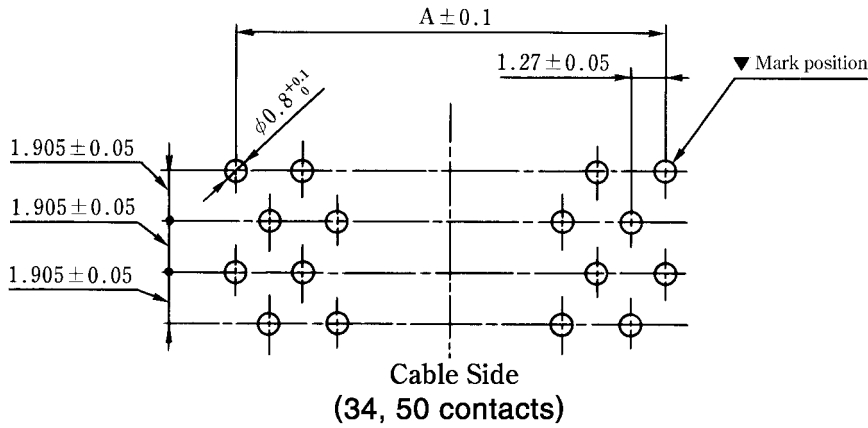
A <sub>1</sub> ——— b <sub>1</sub>	B <sub>1</sub> ——— a <sub>1</sub>
A <sub>2</sub> ——— b <sub>2</sub>	B <sub>2</sub> ——— a <sub>2</sub>
⋮	⋮
A <sub>n</sub> ——— b <sub>n</sub>	B <sub>n</sub> ——— a <sub>n</sub>



## ◆PCB mounting pattern

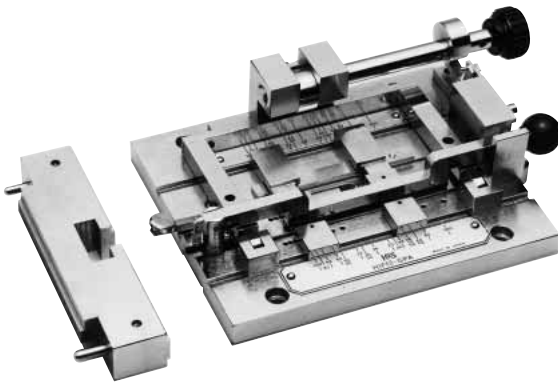


A : Total pitch of connector  
 $A = \left( \frac{n}{2} - 1 \right) \times 1.27$   
 n : number of contacts



## ◆Connection Jig

### ●Guide Plate



Part Number	CL No.
HIF12-GPA	550-0208-9

### ●Hi-Flex Connection Press



Part Number	CL No.
Hi-Flex Connection Press HHP502	550-0082-2





Компания «ЭлектроПласт» предлагает заключение долгосрочных отношений при поставках импортных электронных компонентов на взаимовыгодных условиях!

Наши преимущества:

- Оперативные поставки широкого спектра электронных компонентов отечественного и импортного производства напрямую от производителей и с крупнейших мировых складов;
- Поставка более 17-ти миллионов наименований электронных компонентов;
- Поставка сложных, дефицитных, либо снятых с производства позиций;
- Оперативные сроки поставки под заказ (от 5 рабочих дней);
- Экспресс доставка в любую точку России;
- Техническая поддержка проекта, помощь в подборе аналогов, поставка прототипов;
- Система менеджмента качества сертифицирована по Международному стандарту ISO 9001;
- Лицензия ФСБ на осуществление работ с использованием сведений, составляющих государственную тайну;
- Поставка специализированных компонентов (Xilinx, Altera, Analog Devices, Intersil, Interpoint, Microsemi, Aeroflex, Peregrine, Syfer, Eurofarad, Texas Instrument, Miteq, Cobham, E2V, MA-COM, Hittite, Mini-Circuits, General Dynamics и др.);

Помимо этого, одним из направлений компании «ЭлектроПласт» является направление «Источники питания». Мы предлагаем Вам помощь Конструкторского отдела:

- Подбор оптимального решения, техническое обоснование при выборе компонента;
- Подбор аналогов;
- Консультации по применению компонента;
- Поставка образцов и прототипов;
- Техническая поддержка проекта;
- Защита от снятия компонента с производства.



#### Как с нами связаться

**Телефон:** 8 (812) 309 58 32 (многоканальный)

**Факс:** 8 (812) 320-02-42

**Электронная почта:** [org@eplast1.ru](mailto:org@eplast1.ru)

**Адрес:** 198099, г. Санкт-Петербург, ул. Калинина, дом 2, корпус 4, литера А.