

**AUTOMOTIVE COMPLIANT DUAL AND QUAD DIFFERENTIAL COMPARATORS**

**Description**

The LM2901Q/2903Q series comparators consist of four and two independent precision voltage comparators with very low input offset voltage specification. They are designed to operate from a single power supply over a wide range of voltages; however operation from split power supplies is also possible. They offer low power supply current independent of the magnitude of the power supply voltage.

The LM2901Q/2903Q series comparators are designed to directly interface with TTL and CMOS.

The LM2903Q dual devices are available in SO-8, MSOP-8 and TSSOP-8; and the LM2901Q quad devices are available in SO-14 and TSSOP-14 - all are in industry-standard pinouts.

All use "green" mold compound and are qualified to AEC-Q100 Grade 1 and are Automotive Compliant supporting PPAPs.

**Features**

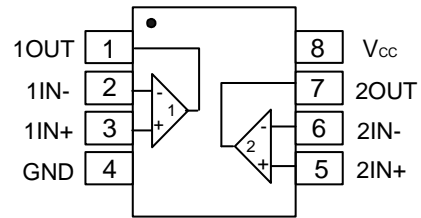
- Wide Power Supply Range:
  - Single Supply: 2V to 36V
  - Dual Supplies:  $\pm 1.0V$  to  $\pm 18V$
- Very Low Supply Current Drain – Independent of Supply Voltage
  - LM2903Q: 0.6mA
  - LM2901Q: 0.9mA
- Low Input Bias Current: 25nA
- Low Input Offset Current:  $\pm 5nA$
- Typical Offset Voltage:
  - Non-A Device: 2mV
  - A Device: 1mV
- Common-Mode Input Voltage Range Includes Ground
- Differential Input Voltage Range Equal to the Power Supply Voltage
- Low Output Saturation Voltage:
  - LM2903Q: 200mV at 4mA
  - LM2901Q: 100mV at 4mA
- Output Voltage Compatible with TTL, MOS and CMOS
- **Totally Lead-Free & Fully RoHS Compliant (Notes 1 & 2)**
- **Halogen and Antimony Free. "Green" Device (Note 3)**
- **Qualified to AEC-Q100 Grade 1**
- **PPAP Capable (Note 4)**

- Notes:
1. No purposely added lead. Fully EU Directive 2002/95/EC (RoHS) & 2011/65/EU (RoHS 2) compliant.
  2. See [http://www.diodes.com/quality/lead\\_free.html](http://www.diodes.com/quality/lead_free.html) for more information about Diodes Incorporated's definitions of Halogen- and Antimony-free, "Green" and Lead-free.
  3. Halogen- and Antimony-free "Green" products are defined as those which contain <900ppm bromine, <900ppm chlorine (<1500ppm total Br + Cl) and <1000ppm antimony compounds.
  4. Automotive products are AEC-Q100 qualified and are PPAP capable. Refer [http://www.diodes.com/quality/product\\_compliance\\_definitions/](http://www.diodes.com/quality/product_compliance_definitions/).

**Pin Assignments**

LM2903Q/ LM2903AQ

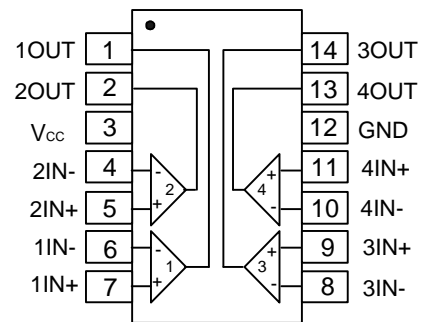
(Top View)



**SO-8/TSSOP-8/MSOP-8**

LM2901Q/ LM2901AQ

(Top View)



**SO-14/TSSOP-14**

## Schematic Diagram



**Functional Block Diagram of LM2901Q/2901AQ/2903Q/2903AQ  
(Each Comparator)**

## Pin Descriptions

LM2901Q, LM2901AQ		
Pin Name	Pin #	Function
1OUT	1	Channel 1 Output
2OUT	2	Channel 2 Output
V <sub>CC</sub>	3	Chip Supply Voltage
2IN-	4	Channel 2 Inverting Input
2IN+	5	Channel 2 Non-Inverting Input
1IN-	6	Channel 1 Inverting Input
1IN+	7	Channel 1 Non-Inverting Input
3IN-	8	Channel 3 Inverting Input
3IN+	9	Channel 3 Non-Inverting Input
4IN-	10	Channel 4 Inverting Input
4IN+	11	Channel 4 Non-Inverting Input
GND	12	Ground
4OUT	13	Channel 4 Output
3OUT	14	Channel 3 Output
LM2903Q, LM2903AQ		
1OUT	1	Channel 1 Output
1IN-	2	Channel 1 Inverting Input
1IN+	3	Channel 1 Non-inverting Input
GND	4	Ground
2IN+	5	Channel 2 Non-Inverting Input
2IN-	6	Channel 2 Inverting Input
2OUT	7	Channel 2 Output
V <sub>CC</sub>	8	Chip Supply Voltage

**Absolute Maximum Ratings** (Note 5) (@T<sub>A</sub> = +25°C, unless otherwise specified.)

Symbol	Parameter	Rating	Unit	
V <sub>CC</sub>	Supply Voltage	36	V	
V <sub>ID</sub>	Differential Input Voltage	36	V	
V <sub>IN</sub>	Input Voltage	-0.3 to +36	V	
I <sub>IN</sub>	Input Current (V <sub>IN</sub> < -0.3V)	50	mA	
V <sub>O</sub>	Output Voltage	36	V	
I <sub>O</sub>	Output Current	20	mA	
—	Duration of Output Short Circuit to Ground (Note 6)	Unlimited	—	
θ <sub>JA</sub>	Package Thermal Impedance (Note 7)	LM2903_QS-13	150	°C/W
		LM2903_QTH-13	175	
		LM2903_QM8-13	200	
		LM2901_QS14	89	
		LM2901_QT14	100	
T <sub>A</sub>	Operating Temperature Range	-40 to +125	°C	
T <sub>J</sub>	Operating Junction Temperature	+150	°C	
T <sub>ST</sub>	Storage Temperature Range	-65 to +150	°C	
T <sub>LEAD</sub>	Lead Temperature (Soldering, 10 seconds)	+260	°C	

- Notes:
- Stresses beyond those listed under absolute maximum ratings may cause permanent damage to the device. These are stress ratings only; functional operation of the device at these or any other conditions beyond those indicated under recommended operating conditions is not implied. Exposure to absolute-maximum-rated conditions for extended periods may affect device reliability.
  - Short circuits from outputs to V<sub>CC</sub> can cause excessive heating and eventual destruction.
  - Maximum power dissipation is a function of T<sub>J(MAX)</sub>, θ<sub>JA</sub>, and T<sub>A</sub>. The maximum allowable power dissipation at any allowable ambient temperature is  $P_D = (T_{J(MAX)} - T_A) / \theta_{JA}$ . Operating at the absolute maximum T<sub>J</sub> of +150°C can affect reliability.

**ESD Ratings**

Human Body Mode ESD Protection (Note 8)	LM2901_QS14	500	V
	LM2901_QT14	500	
	LM2903_QS-13	500	
	LM2903_QTH-13	500	
	LM2903_QM8-13	<500	
Charge Device Mode ESD Protection	LM2901_QS14	1,000	V
	LM2901_QT14		
	LM2903_QS-13		
	LM2903_QTH-13		
	LM2903_QM8-13		

Note: 8. Human body model, 1.5kΩ in series with 100pF.

**Recommended Operating Conditions** (Over Operating Free-Air Temperature Range, unless otherwise noted.)

Parameter		Min	Max	Units
Supply Voltage	Single Supply	2	36	V
	Dual Supply	±1	±18	
Ambient Temperature Range		-40	+125	°C
Junction Temperature Range		-40	+125	

**Electrical Characteristics** (Notes 9 & 10) (@ $V_{CC} = 5.0V$ ,  $GND = 0V$ ,  $T_A = +25^\circ C$ , unless otherwise specified.)

**LM2901Q, LM2901AQ**

Parameter		Conditions		$T_A$	Min	Typ	Max	Unit
$V_{IO}$	Input Offset Voltage	$V_{IC} = V_{CMR} \text{ Min,}$ $V_O = 1.4V,$ $V_{CC} = 5V \text{ to } 30V$ (Note 11)	Non-A Device	$T_A = +25^\circ C$	—	2	7	mV
				Full Range	—	—	15	
			A-Suffix Device	$T_A = +25^\circ C$	—	1	2	
				Full Range	—	—	4	
$I_B$	Input Bias Current	$I_{IN+}$ or $I_{IN-}$ with OUT in Linear Range, $V_{CM} = 0V$ (Note 12)	$T_A = +25^\circ C$	—	25	250	nA	
			Full Range	—	—	500		
$I_{IO}$	Input Offset Current	$I_{IN+} - I_{IN-}, V_{CM} = 0V$	$T_A = +25^\circ C$	—	5	50	nA	
			Full Range	—	—	200		
$V_{CMR}$	Input Common-Mode Voltage Range	$V_{CC} = 30V$ (Note 13)	$T_A = +25^\circ C$	0 to $V_{CC} - 1.5$	—	—	V	
			Full Range	0 to $V_{CC} - 2$	—	—		
$I_{CC}$	Supply Current (Four Comparators)	$R_L = \infty$ on Quad Channels	$V_{CC} = 30V$	$T_A = +25^\circ C$	—	1.2	2.5	mA
				Full range	—	—	3.5	
			$V_{CC} = 5V$	$T_A = +25^\circ C$	—	0.9	2	
				Full Range	—	—	3.0	
$A_V$	Voltage Gain	$V_{CC} = 15V, V_{OUT} = 1V \text{ to } 11V,$ $R_L \geq 15k\Omega,$	$T_A = +25^\circ C$	50	200	—	V/mV	
—	Large Signal Response Time	$V_{IN} = \text{TTL Logic Swing, } V_{REF} = 1.4V,$ $V_{RL} = 5V, R_L = 5.1k\Omega$	$T_A = +25^\circ C$	—	300	—	ns	
—	Response Time	$V_{RL} = 5V, R_L = 5.1k\Omega$ (Note 14)	$T_A = +25^\circ C$	—	1.3	—	$\mu s$	
$I_{O(SINK)}$	Output Sink Current	$V_{IN-} = 1V, V_{IN+} = 0, V_O \leq 1.5V$	$T_A = +25^\circ C$	6	16	—	mA	
$V_{SAT}$	Saturation Voltage	$V_{IN-} = 1V, V_{IN+} = 0, I_{SINK} \leq 4mA$	$T_A = +25^\circ C$	—	100	400	mV	
			Full Range	—	—	700		
$I_{O(LEAK)}$	Output Leakage Current	$V_{IN-} = 0V, V_{IN+} = 1, V_O = 5V$	$T_A = +25^\circ C$	—	0.1	—	nA	
		$V_{IN-} = 0V, V_{IN+} = 1, V_O = 30V$	Full Range	—	—	1	$\mu A$	
$V_{ID}$	Differential Input Voltage	All $V_{IN} \geq 0V$ (or $V_-$ if used) (Note 15)	Full Range	—	—	36	V	

- Notes:
9. Typical values represent the most likely parametric norm as determined at the time of characterization. Actual typical values may vary over time and will also depend on the application and configuration. The typical values are not tested and are not guaranteed on shipped production material.
  10. All limits are guaranteed by testing or statistical analysis. Limits over the full temperature ( $-40 \leq T_A \leq +125^\circ C$ ) are guaranteed by design, but not tested in production.
  11.  $V_O \cong 1.4V, R_S = 0\Omega$  with  $V_{CC}$  from 5V to 30V.
  12. The direction of the input current is out of the IC due to the PNP input stage. This current is essentially constant, independent of the state of the output so no loading change exists on the input lines.
  13. The input common-mode voltage of either input signal voltage should not be allowed to go negative by more than 0.3V (@  $+25^\circ C$ ). The upper end of the common-mode voltage range is  $V_{CC} - 1.5V$  (@  $+25^\circ C$ ), but either or both inputs can go to +36V without damage, independent of the magnitude of  $V_{CC}$ .
  14. The response time specified is for a 100mV step input with 5mV overdrive. For larger overdrive signals 300ns can be obtained, see typical performance characteristics.
  15. Positive excursions of input voltage may exceed the power supply level. As long as other voltages remain within the common mode range, the comparator will provide a proper output stage. The low voltage state must not be less than -0.3V (or 0.3V below the magnitude of the negative power supply, if used).

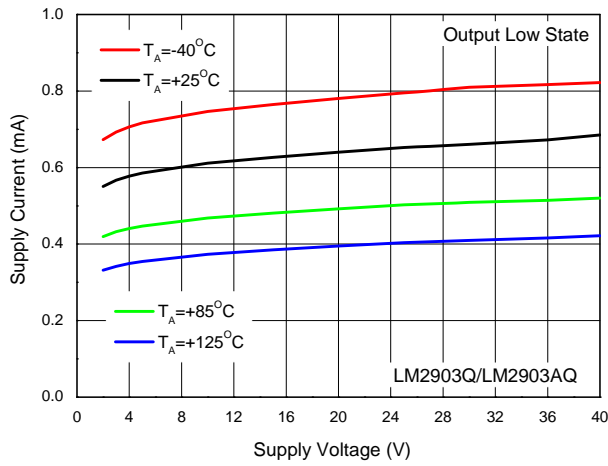
**Electrical Characteristics** (continued) (Notes 9 & 10) (@ $V_{CC} = 5.0V$ ,  $GND = 0V$ ,  $T_A = +25^\circ C$ , unless otherwise specified.)

**LM2903Q, LM2903AQ**

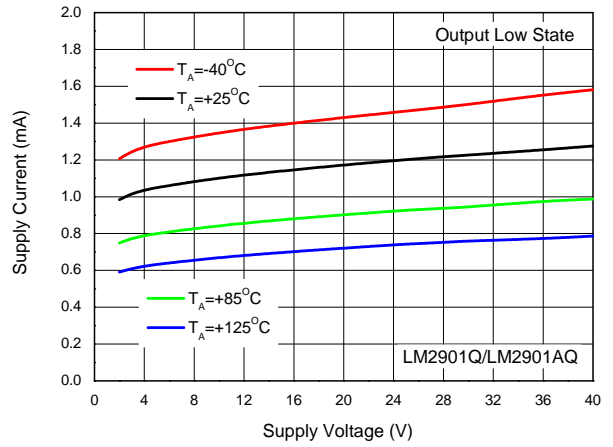
Parameter	Conditions	$T_A$	Min	Typ	Max	Unit	
$V_{IO}$	Input Offset Voltage $V_{IC} = V_{CMR}$ Min, $V_O = 1.4V$ , $V_{CC} = 5V$ to $\approx 30V$ (Note 11)	Non-A Device	$T_A = +25^\circ C$	—	2	7	mV
			Full Range	—	—	15	
		A-Suffix Device	$T_A = +25^\circ C$	—	1	2	
			Full Range	—	—	4	
$I_B$	Input Bias Current $I_{IN+}$ or $I_{IN-}$ with OUT in Linear Range, $V_{CM} = 0V$ (Note 12)	$T_A = +25^\circ C$	—	25	250	nA	
$I_{IO}$	Input Offset Current $I_{IN+} - I_{IN-}$ , $V_{CM} = 0V$	$T_A = +25^\circ C$	—	5	50	nA	
		Full Range	—	—	200		
$V_{CMR}$	Input Common-Mode Voltage Range $V_{CC} = 30V$ (Note 13)	$T_A = +25^\circ C$	0 to $V_{CC} - 1.5$	—	—	V	
		Full Range	0 to $V_{CC} - 2$	—	—		
$I_{CC}$	Supply Current $R_L = \infty$ on Both Channels	$V_{CC} = 30V$	$T_A = +25^\circ C$	—	0.7	1.7	mA
			Full Range	—	—	3.0	
		$V_{CC} = 5V$	$T_A = +25^\circ C$	—	0.6	1	
			Full Range	—	—	2.0	
$A_V$	Voltage Gain $V_{CC} = 15V$ , $V_{OUT} = 1V$ to $11V$ , $R_L \geq 15k\Omega$ ,	$T_A = +25^\circ C$	50	200	—	V/mV	
—	Large Signal Response Time $V_{IN} =$ TTL Logic Swing, $V_{REF} = 1.4V$ , $V_{RL} = 5V$ , $R_L = 5.1k\Omega$	$T_A = +25^\circ C$	—	300	—	ns	
—	Response Time $V_{RL} = 5V$ , $R_L = 5.1k\Omega$ (Note 14)	$T_A = +25^\circ C$	—	1.3	—	$\mu s$	
$I_{O(SINK)}$	Output Sink Current $V_{IN-} = 1V$ , $V_{IN+} = 0$ , $V_O \leq 1.5V$	$T_A = +25^\circ C$	6	16	—	mA	
$V_{SAT}$	Saturation Voltage $V_{IN-} = 1V$ , $V_{IN+} = 0$ , $I_{SINK} \leq 4mA$	$T_A = +25^\circ C$	—	200	400	mV	
		Full Range	—	—	700		
$I_{O(LEAK)}$	Output Leakage Current $V_{IN-} = 0V$ , $V_{IN+} = 1$ , $V_O = 5V$ $V_{IN-} = 0V$ , $V_{IN+} = 1$ , $V_O = 30V$	$T_A = +25^\circ C$	—	0.1	—	nA	
		Full Range	—	—	1	$\mu A$	
$V_{ID}$	Differential Input Voltage All $V_{IN} \geq 0V$ (or $V_-$ if used) (Note 15)	Full Range	—	—	36	V	

- Notes:
- Typical values represent the most likely parametric norm as determined at the time of characterization. Actual typical values may vary over time and will also depend on the application and configuration. The typical values are not tested and are not guaranteed on shipped production material
  - All limits are guaranteed by testing or statistical analysis. Limits over the full temperature ( $-40 \leq T_A \leq +125^\circ C$ ) are guaranteed by design, but not tested in production.
  - $V_O \cong 1.4V$ ,  $R_S = 0\Omega$  with  $V_{CC}$  from  $5V$  to  $30V$ .
  - The direction of the input current is out of the IC due to the PNP input stage. This current is essentially constant, independent of the state of the output so no loading change exists on the input lines.
  - The input common-mode voltage of either input signal voltage should not be allowed to go negative by more than  $0.3V$  (@  $+25^\circ C$ ). The upper end of the common-mode voltage range is  $V_{CC} - 1.5V$  (@  $+25^\circ C$ ), but either or both inputs can go to  $+36V$  without damage, independent of the magnitude of  $V_{CC}$ .
  - The response time specified is for a  $100mV$  step input with  $5mV$  overdrive. For larger overdrive signals  $300ns$  can be obtained, see typical performance characteristics.
  - Positive excursions of input voltage may exceed the power supply level. As long as other voltages remain within the common-mode range, the comparator will provide a proper output stage. The low voltage state must not be less than  $-0.3V$  (or  $0.3V$  below the magnitude of the negative power supply, if used).

**Performance Characteristics**



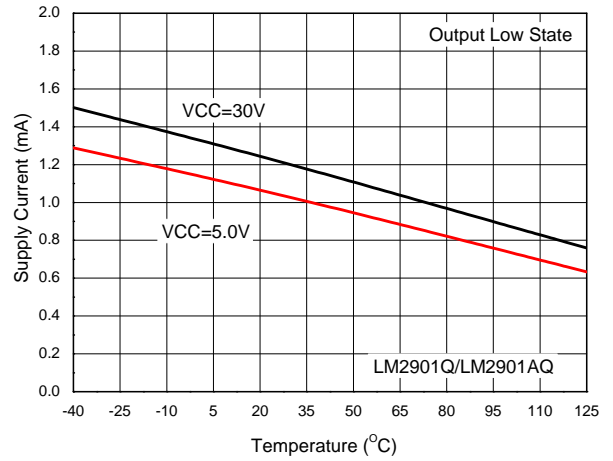
Supply Current vs. Supply Voltage



Supply Current vs. Supply Voltage



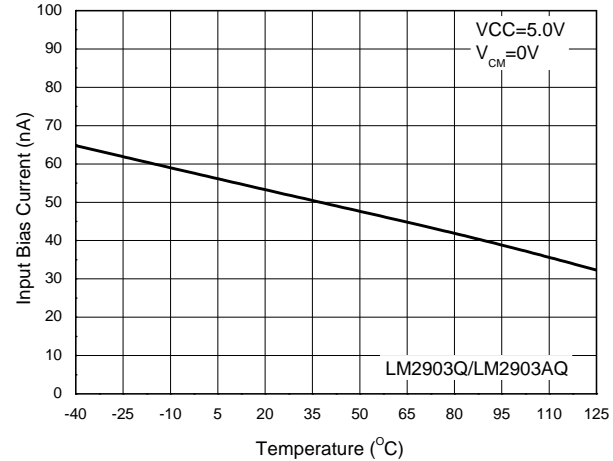
Supply Current vs. Temperature



Supply Current vs. Temperature



Input Bias Current vs. Supply Voltage

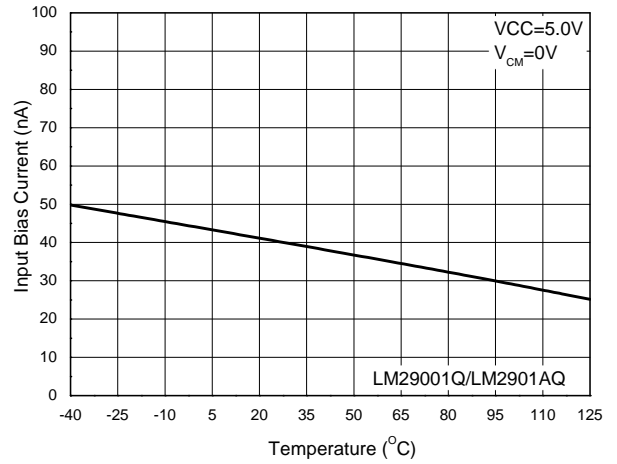


Input Bias Current vs. Temperature

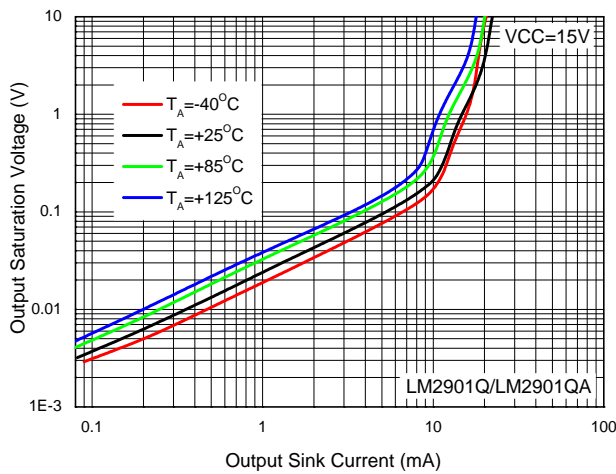
**Performance Characteristics** (continued)



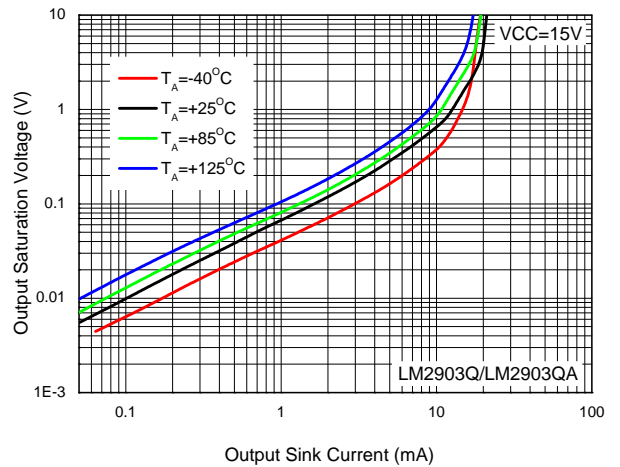
Input Bias Current vs. Supply Voltage



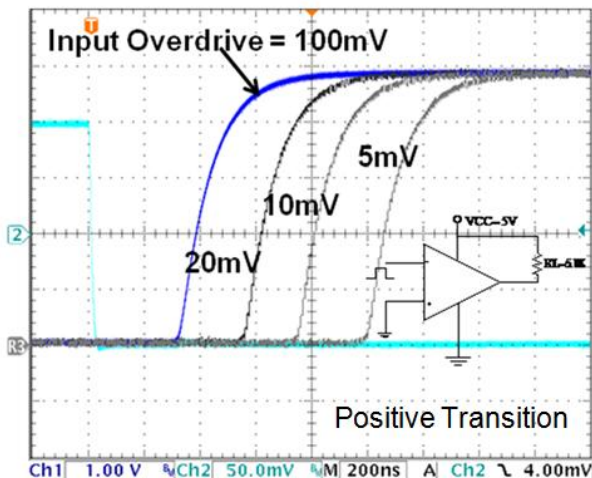
Input Bias Current vs. Temperature



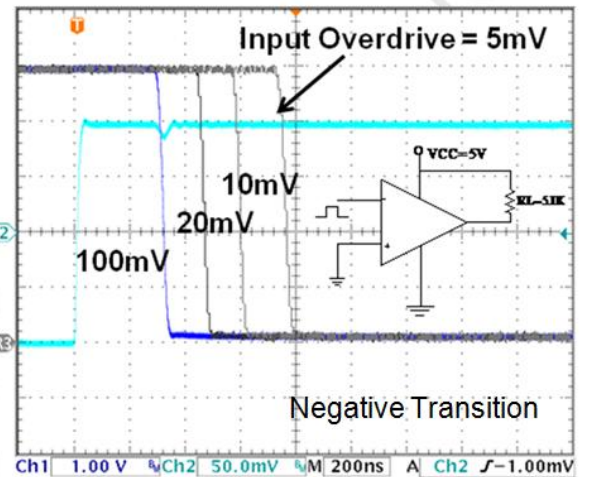
Output Saturation Voltage vs. Sink Current



Output Saturation Voltage vs. Sink Current

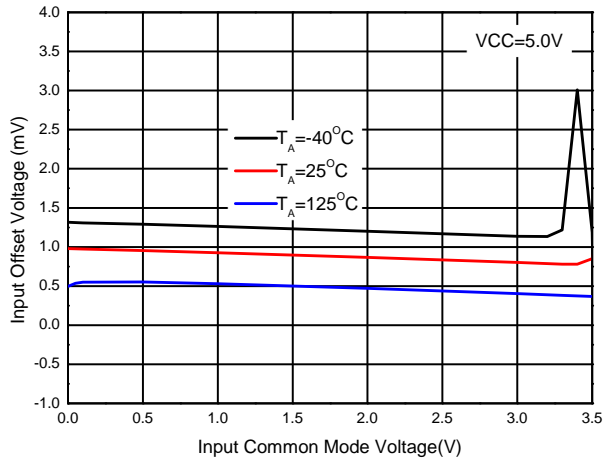


Response Time for Various Input Overdrive

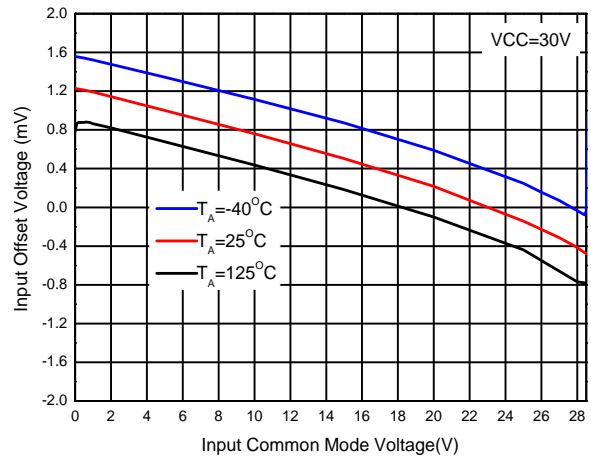


Response Time for Various Input Overdrive

**Performance Characteristics** (continued)



Input Offset Voltage vs. Input Common-Mode Voltage



Input Offset Voltage vs. Input Common-Mode Voltage



---

## Application Information

---

### General Information

The LM2901Q/2903Q series comparators are high-gain, wide-bandwidth devices, and like most comparators, can easily oscillate if the output lead is inadvertently allowed to capacitive couple to the inputs via stray capacitance. This shows up only during the output voltage transition intervals as the comparator changes states. Standard PC board layout is helpful as it reduces stray input-output coupling. Reducing the input resistors to <math><10\text{k}\Omega</math> reduces the feedback signal levels and finally, adding even a small amount (1.0 to 10mV) of positive feedback (hysteresis) causes such a rapid transition that oscillations due to stray feedback are not possible. Simply socketing the IC and attaching resistors to the pins will cause input-output oscillations during the small transition intervals unless hysteresis is used. If the input signal is a pulse waveform, with relatively fast rise and fall times, hysteresis is not required. All input pins of any unused comparators should be tied to the negative supply.

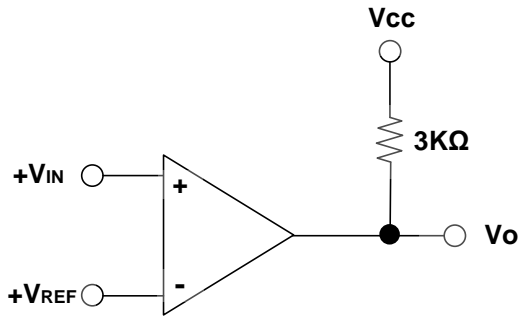
The bias network of the LM2901Q/2903Q series comparators establishes a quiescent current independent of the magnitude of the power supply voltage over the range of from 2.0  $V_{DC}$  to 30  $V_{DC}$ .

The differential input voltage may be larger than  $V_{CC}$  without damaging the device. Protection should be provided to prevent the input voltages from becoming negative more than  $-0.3 V_{DC}$  (@ +25°C). An input clamp diode can be used as shown in the applications section.

The output of the LM2901Q/2903Q series comparators is the uncommitted collector of a grounded-emitter NPN output transistor. Many collectors can be tied together to provide an output OR'ing function. An output pull-up resistor can be connected to any available power supply voltage within the permitted supply voltage range and there is no restriction on this voltage due to the magnitude of the voltage applied to the  $V_{CC}$  terminal of LM2901/2903 series comparator package. The output can also be used as a simple SPST switch to ground (when a pull-up resistor is not used).

The amount of current the output device can sink is limited by the drive available (which is independent of  $V_{CC}$ ) and the  $\beta$  of this device. When the maximum current limit is reached (approximately 16mA), the output transistor will come out of saturation and the output voltage will rise very rapidly. The output saturation voltage is limited by the approximately  $60\Omega R_{SAT}$  of the output transistor. The low offset voltage of the output transistor (1.0mV) allows the output to clamp essentially to ground level for small load currents.

**Typical Application Circuit** ( $V_{CC} = 5.0 V_{DC}$ )



Basic Comparator



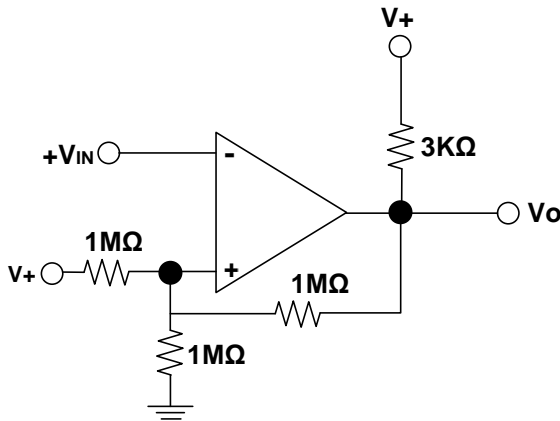
Driving CMOS



Driving TTL



Non-Inverting Comparator with Hysteresis



Inverting Comparator with Hysteresis

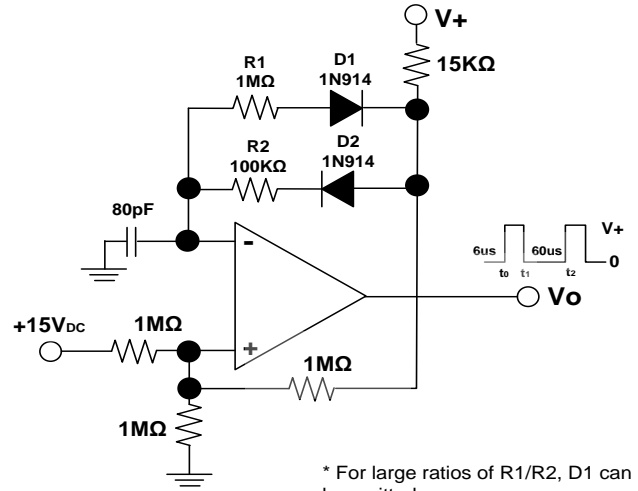


Comparator with a Negative Reference

**Typical Application Circuit** (continued) ( $V_{CC} = 5.0 V_{DC}$ )

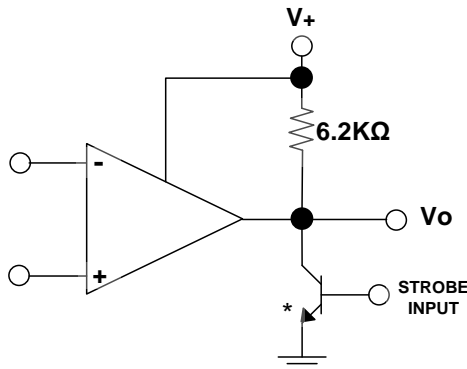


Crystal Controlled Oscillator



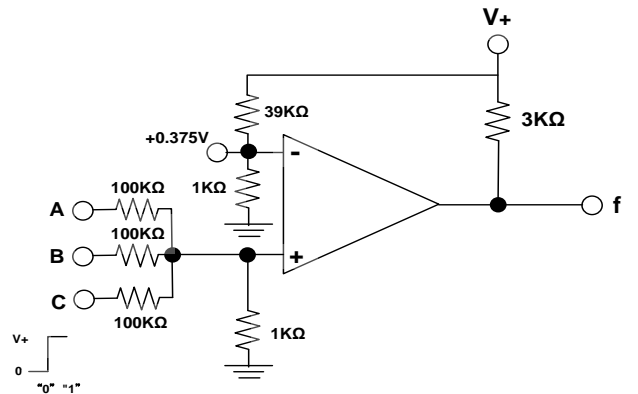
\* For large ratios of R1/R2, D1 can be omitted.

Pulse Generator

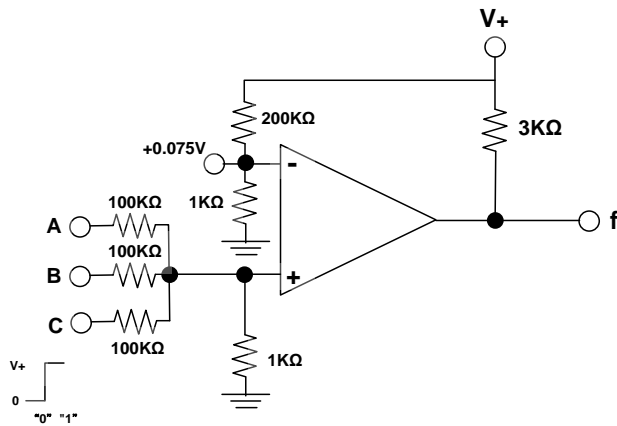


\*Or logic gate without pull-up resistor

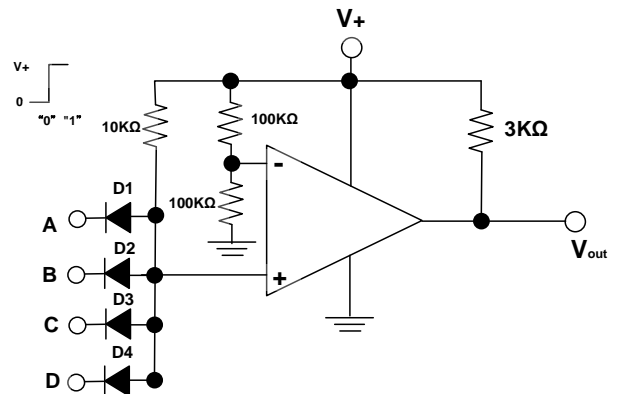
Output Strobing



AND Gate



OR Gate

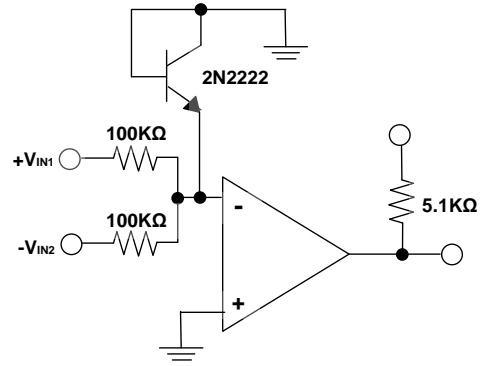


Large Fan-in AND Gate

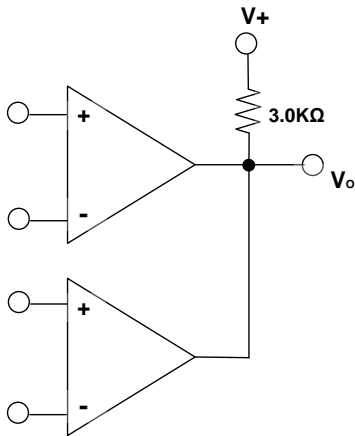
**Typical Application Circuit** (cont.) ( $V_{CC} = 5.0 V_{DC}$ )



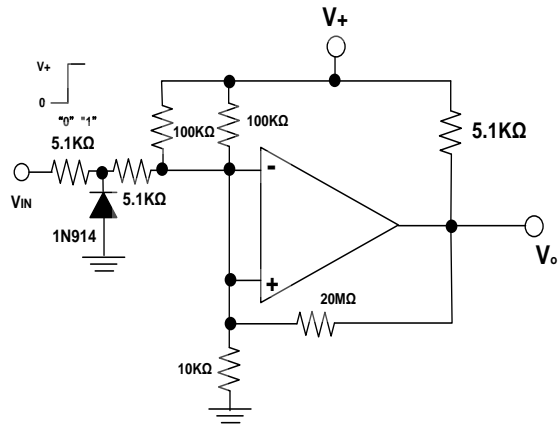
Limit Comparator



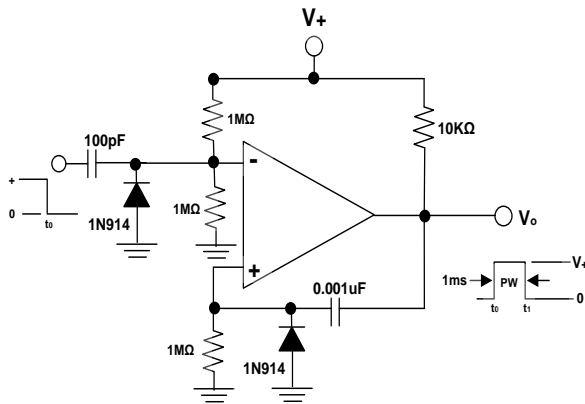
Comparing Input Voltage of Opposite Polarity



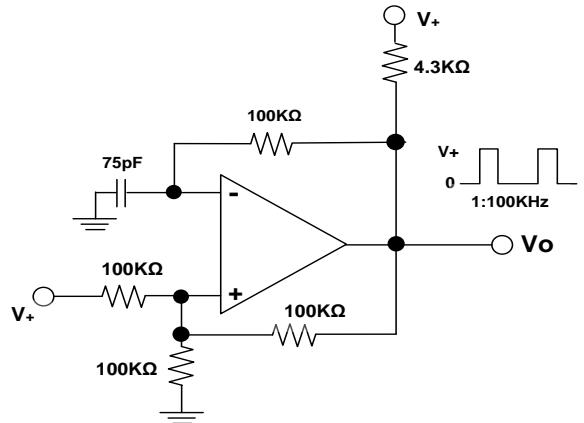
ORing the Outputs



Zero Crossing Detector  
(Single Power Supply)



One-Shot Multivibrator



Squarewave Oscillator

## Ordering Information

### LM290X X Q XXX - XX

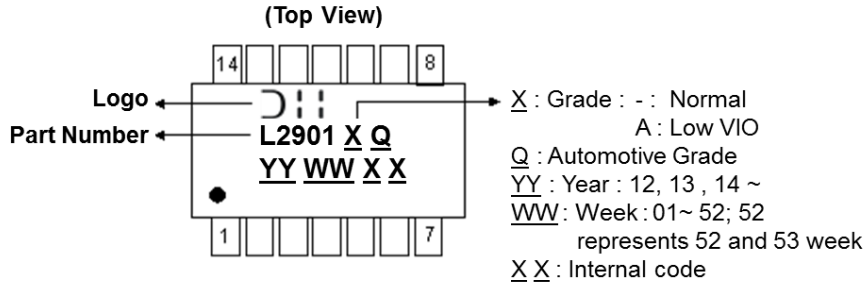


Part Number	Package Code	Packaging (Note 16)	13" Tape and Reel		Qualification Grade (Note 17)
			Quantity	Part Number Suffix	
LM2901QT14-13	T14	TSSOP-14	2,500/Tape & Reel	-13	Automotive Compliant
LM2901AQT14-13	T14	TSSOP-14	2,500/Tape & Reel	-13	Automotive Compliant
LM2901QS14-13	S14	SO-14	2,500/Tape & Reel	-13	Automotive Compliant
LM2901AQS14-13	S14	SO-14	2,500/Tape & Reel	-13	Automotive Compliant
LM2903QS-13	S	SO-8	2,500/Tape & Reel	-13	Automotive Compliant
LM2903AQS-13	S	SO-8	2,500/Tape & Reel	-13	Automotive Compliant
LM2903QTH-13	TH	TSSOP-8	2,500/Tape & Reel	-13	Automotive Compliant
LM2903AQTH-13	TH	TSSOP-8	2,500/Tape & Reel	-13	Automotive Compliant
LM2903QM8-13	M8	MSOP-8	2,500/Tape & Reel	-13	Automotive Compliant
LM2903AQM8-13	M8	MSOP-8	2,500/Tape & Reel	-13	Automotive Compliant

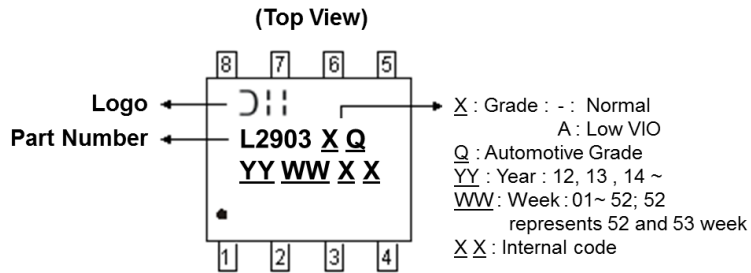
- Notes: 16. For packaging details, go to our website at <http://www.diodes.com/products/packages.html>.  
 17. LM2901Q/2903Q have been qualified to AEC-Q100 grade 1 and are classified as "Automotive Compliant" which supports PPAP documentation. See LM2901/2903 datasheet for commercial qualified versions.

**Marking Information**

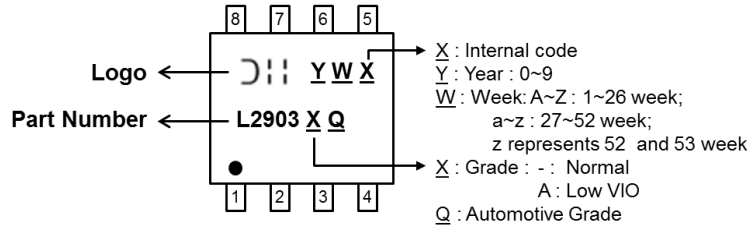
(1) TSSOP-14 and SO-14



(2) SO-8



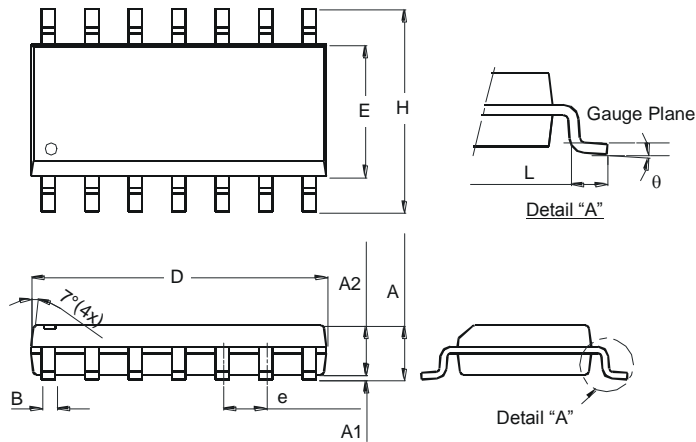
(3) MSOP-8 and TSSOP-8



## Package Outline Dimensions

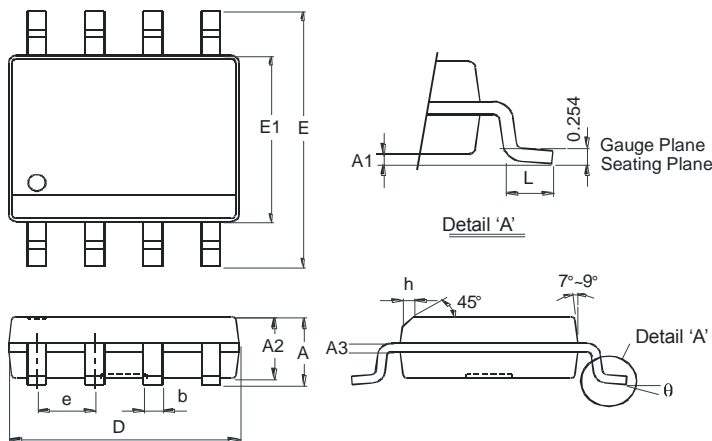
Please see <http://www.diodes.com/package-outlines.html> for the latest version.

### SO-14



SO-14		
Dim	Min	Max
A	1.47	1.73
A1	0.10	0.25
A2	1.45 Typ	
B	0.33	0.51
D	8.53	8.74
E	3.80	3.99
e	1.27 Typ	
H	5.80	6.20
L	0.38	1.27
θ	0°	8°
All Dimensions in mm		

### SO-8

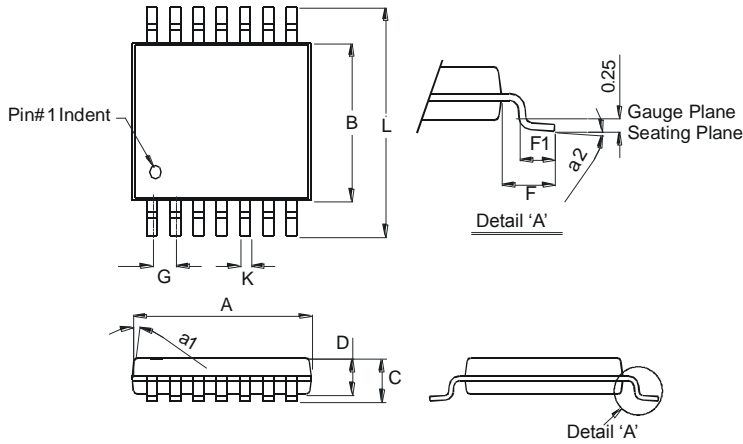


SO-8		
Dim	Min	Max
A	—	1.75
A1	0.10	0.20
A2	1.30	1.50
A3	0.15	0.25
b	0.3	0.5
D	4.85	4.95
E	5.90	6.10
E1	3.85	3.95
e	1.27 Typ	
h	—	0.35
L	0.62	0.82
θ	0°	8°
All Dimensions in mm		

**Package Outline Dimensions (Continued)**

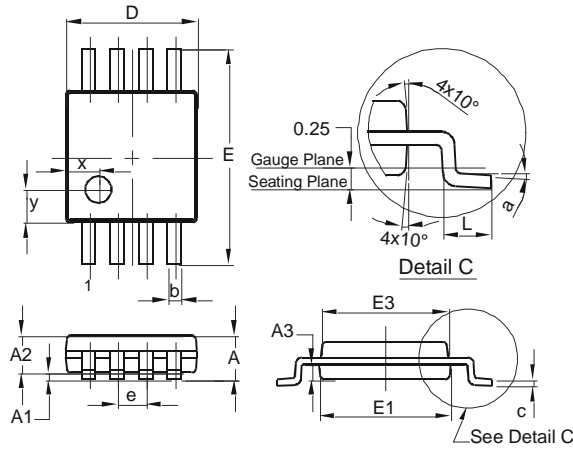
Please see <http://www.diodes.com/package-outlines.html> for the latest version.

**TSSOP-14**



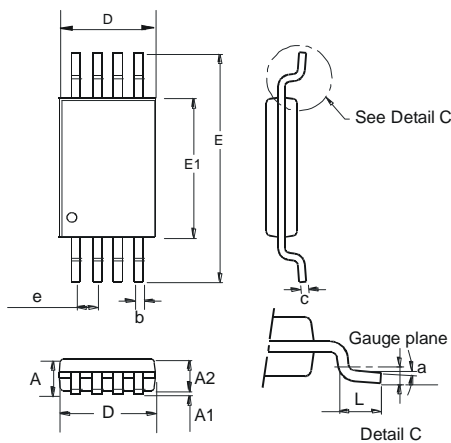
TSSOP-14		
Dim	Min	Max
a1	7° (4X)	
a2	0°	8°
A	4.9	5.10
B	4.30	4.50
C	— 1.2	
D	0.8	1.05
F	1.00 Typ	
F1	0.45	0.75
G	0.65 Typ	
K	0.19	0.30
L	6.40 Typ	
All Dimensions in mm		

**MSOP-8**



MSOP-8			
Dim	Min	Max	Typ
A	—	1.10	—
A1	0.05	0.15	0.10
A2	0.75	0.95	0.86
A3	0.29	0.49	0.39
b	0.22	0.38	0.30
c	0.08	0.23	0.15
D	2.90	3.10	3.00
E	4.70	5.10	4.90
E1	2.90	3.10	3.00
E3	2.85	3.05	2.95
e	—	—	0.65
L	0.40	0.80	0.60
a	0°	8°	4°
x	—	—	0.750
y	—	—	0.750
All Dimensions in mm			

**TSSOP-8**



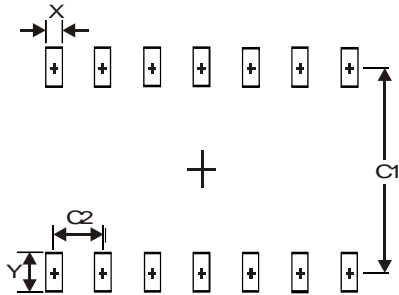
TSSOP-8			
Dim	Min	Max	Typ
a	0.09	—	—
A	—	1.20	—
A1	0.05	0.15	—
A2	0.825	1.025	0.925
b	0.19	0.30	—
c	0.09	0.20	—
D	2.90	3.10	3.025
e	—	—	0.65
E	—	—	6.40
E1	4.30	4.50	4.425
L	0.45	0.75	0.60
All Dimensions in mm			



**Suggested Pad Layout**

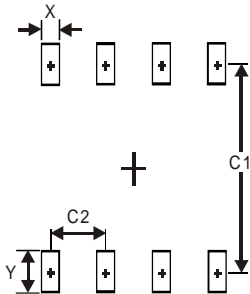
Please see <http://www.diodes.com/package-outlines.html> for the latest version.

**SO-14**



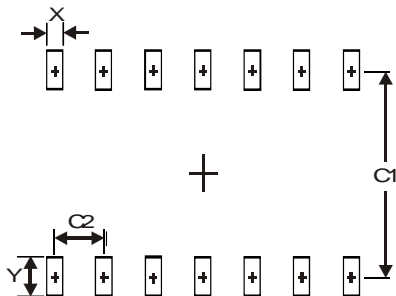
Dimensions	Value (in mm)
X	0.60
Y	1.50
C1	5.4
C2	1.27

**SO-8**



Dimensions	Value (in mm)
X	0.60
Y	1.55
C1	5.4
C2	1.27

**TSSOP-14**

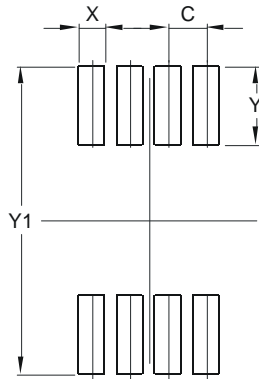


Dimensions	Value (in mm)
X	0.45
Y	1.45
C1	5.9
C2	0.65

**Suggested Pad Layout** (Continued)

Please see <http://www.diodes.com/package-outlines.html> for the latest version.

**MSOP-8**



Dimensions	Value (in mm)
C	0.650
X	0.450
Y	1.350
Y1	5.300

**TSSOP-8**



Dimensions	Value (in mm)
X	0.45
Y	1.78
C1	7.72
C2	0.65
C3	4.16
G	0.20

#### IMPORTANT NOTICE

DIODES INCORPORATED MAKES NO WARRANTY OF ANY KIND, EXPRESS OR IMPLIED, WITH REGARDS TO THIS DOCUMENT, INCLUDING, BUT NOT LIMITED TO, THE IMPLIED WARRANTIES OF MERCHANTABILITY AND FITNESS FOR A PARTICULAR PURPOSE (AND THEIR EQUIVALENTS UNDER THE LAWS OF ANY JURISDICTION).

Diodes Incorporated and its subsidiaries reserve the right to make modifications, enhancements, improvements, corrections or other changes without further notice to this document and any product described herein. Diodes Incorporated does not assume any liability arising out of the application or use of this document or any product described herein; neither does Diodes Incorporated convey any license under its patent or trademark rights, nor the rights of others. Any Customer or user of this document or products described herein in such applications shall assume all risks of such use and will agree to hold Diodes Incorporated and all the companies whose products are represented on Diodes Incorporated website, harmless against all damages.

Diodes Incorporated does not warrant or accept any liability whatsoever in respect of any products purchased through unauthorized sales channel. Should Customers purchase or use Diodes Incorporated products for any unintended or unauthorized application, Customers shall indemnify and hold Diodes Incorporated and its representatives harmless against all claims, damages, expenses, and attorney fees arising out of, directly or indirectly, any claim of personal injury or death associated with such unintended or unauthorized application.

Products described herein may be covered by one or more United States, international or foreign patents pending. Product names and markings noted herein may also be covered by one or more United States, international or foreign trademarks.

This document is written in English but may be translated into multiple languages for reference. Only the English version of this document is the final and determinative format released by Diodes Incorporated.

#### LIFE SUPPORT

Diodes Incorporated products are specifically not authorized for use as critical components in life support devices or systems without the express written approval of the Chief Executive Officer of Diodes Incorporated. As used herein:

A. Life support devices or systems are devices or systems which:

1. are intended to implant into the body, or
2. support or sustain life and whose failure to perform when properly used in accordance with instructions for use provided in the labeling can be reasonably expected to result in significant injury to the user.

B. A critical component is any component in a life support device or system whose failure to perform can be reasonably expected to cause the failure of the life support device or to affect its safety or effectiveness.

Customers represent that they have all necessary expertise in the safety and regulatory ramifications of their life support devices or systems, and acknowledge and agree that they are solely responsible for all legal, regulatory and safety-related requirements concerning their products and any use of Diodes Incorporated products in such safety-critical, life support devices or systems, notwithstanding any devices- or systems-related information or support that may be provided by Diodes Incorporated. Further, Customers must fully indemnify Diodes Incorporated and its representatives against any damages arising out of the use of Diodes Incorporated products in such safety-critical, life support devices or systems.

Copyright © 2016, Diodes Incorporated

[www.diodes.com](http://www.diodes.com)



Компания «ЭлектроПласт» предлагает заключение долгосрочных отношений при поставках импортных электронных компонентов на взаимовыгодных условиях!

Наши преимущества:

- Оперативные поставки широкого спектра электронных компонентов отечественного и импортного производства напрямую от производителей и с крупнейших мировых складов;
- Поставка более 17-ти миллионов наименований электронных компонентов;
- Поставка сложных, дефицитных, либо снятых с производства позиций;
- Оперативные сроки поставки под заказ (от 5 рабочих дней);
- Экспресс доставка в любую точку России;
- Техническая поддержка проекта, помощь в подборе аналогов, поставка прототипов;
- Система менеджмента качества сертифицирована по Международному стандарту ISO 9001;
- Лицензия ФСБ на осуществление работ с использованием сведений, составляющих государственную тайну;
- Поставка специализированных компонентов (Xilinx, Altera, Analog Devices, Intersil, Interpoint, Microsemi, Aeroflex, Peregrine, Syfer, Eurofarad, Texas Instrument, Miteq, Cobham, E2V, MA-COM, Hittite, Mini-Circuits, General Dynamics и др.);

Помимо этого, одним из направлений компании «ЭлектроПласт» является направление «Источники питания». Мы предлагаем Вам помощь Конструкторского отдела:

- Подбор оптимального решения, техническое обоснование при выборе компонента;
- Подбор аналогов;
- Консультации по применению компонента;
- Поставка образцов и прототипов;
- Техническая поддержка проекта;
- Защита от снятия компонента с производства.



#### Как с нами связаться

**Телефон:** 8 (812) 309 58 32 (многоканальный)

**Факс:** 8 (812) 320-02-42

**Электронная почта:** [org@eplast1.ru](mailto:org@eplast1.ru)

**Адрес:** 198099, г. Санкт-Петербург, ул. Калинина, дом 2, корпус 4, литера А.