

1. Overview

1.1 Features

The M16C Family offers a robust platform of 32-/16-bit CISC microcomputers (MCUs) featuring high ROM code efficiency, extensive EMI/EMS noise immunity, ultra-low power consumption, high-speed processing in actual applications, and numerous and varied integrated peripherals. Extensive device scalability from low- to high-end, featuring a single architecture as well as compatible pin assignments and peripheral functions, provides support for a vast range of application fields.

The R32C/100 Series is a high-end microcontroller series in the M16C Family. With a 4-Gbyte memory space, it achieves maximum code efficiency and high-speed processing with 32-bit CISC architecture, multiplier, multiply-accumulate unit, and floating point unit. The selection from the broadest choice of on-chip peripheral devices — UART, CRC, DMAC, A/D and D/A converters, timers, I²C-bus interface, and watchdog timer enables to minimize external components.

The R32C/111 Group is the standard MCU within the R32C/100 Series. This product, provided as 100-pin plastic molded LGA, and 100-/64-pin plastic molded LQFP packages, has a maximum of nine channels of serial interface.

1.1.1 Applications

Audio, cameras, television, home appliance, printer, meter, office/industrial equipment, communication/portable devices

1.1.2 Performance Overview

Tables 1.1 to 1.4 show the performance overview of the R32C/111 Group.

Table 1.1 Performance Overview for the 100-pin Package (1/2)

Unit	Function	Explanation
CPU	Central processing unit	R32C/100 Series CPU Core <ul style="list-style-type: none"> • Basic instructions: 108 • Minimum instruction execution time: 20 ns ($f(\text{CPU}) = 50 \text{ MHz}$) • Multiplier: 32-bit \times 32-bit \rightarrow 64-bit • Multiply-accumulate unit: 32-bit \times 32-bit + 64-bit \rightarrow 64-bit • IEEE-754 compatible FPU: Single precision • 32-bit barrel shifter • Operating mode: Single-chip mode, memory expansion mode, microprocessor mode (optional ⁽¹⁾)
Memory		Flash memory: 256 to 512 Kbytes RAM: 32 to 63 Kbytes Data flash: 4 Kbytes \times 2 blocks Refer to Table 1.5 for memory size of each product group
Voltage Detector	Low voltage detector	Optional ⁽¹⁾ Low voltage detection interrupt
Clock	Clock generator	<ul style="list-style-type: none"> • 4 circuits (main clock, sub clock, PLL, on-chip oscillator) • Oscillation stop detector: Main clock oscillator stop/restart detection • Frequency divide circuit: Divide-by-2 to divide-by-24 selectable • Low power modes: Wait mode, stop mode
External Bus Expansion	Bus and memory expansion	<ul style="list-style-type: none"> • Address space: 4 Gbytes (of which up to 64 Mbytes is user accessible) • External bus Interface: Support for wait-state insertion, 4 chip select outputs, 3V/5V interface • Bus format: Separate bus/Multiplexed bus selectable, data bus width selectable (8/16 bits)
Interrupts		Interrupt vectors: 261 External interrupt inputs: $\overline{\text{NMI}}$, $\overline{\text{INT}} \times 6$, key input $\times 4$ Interrupt priority levels: 7
Watchdog Timer		15 bits \times 1 (selectable input frequency from prescaler output)
DMA	DMAC	4 channels <ul style="list-style-type: none"> • Cycle-steal transfer mode • Request sources: 51 • 2 transfer modes: Single transfer, repeat transfer
	DMAC II	<ul style="list-style-type: none"> • Triggered by an interrupt request of any peripheral • 3 characteristic transfer functions: Immediate data transfer, calculation result transfer, chain transfer
I/O Ports	Programmable I/O ports	<ul style="list-style-type: none"> • 2 input-only ports • 82 CMOS I/O ports • 2 N-channel open drain ports • A pull-up resistor is selectable for every 4 input ports

Note:

1. Contact a Renesas Electronics sales office to use the optional features.

Table 1.2 Performance Overview for the 100-pin Package (2/2)

Unit	Function	Explanation
Timer	Timer A	16-bit timer × 5 Timer mode, event counter mode, one-shot timer mode, pulse-width modulation (PWM) mode Two-phase pulse signal processing in event counter mode (two-phase encoder input) × 3
	Timer B	16-bit timer × 6 Timer mode, event counter mode, pulse frequency measurement mode, pulse-width measurement mode
	Three-phase motor control timer	Three-phase motor control timer × 1 (timers A1, A2, A4, and B2 used) 8-bit programmable dead time timer
Serial Interface	UART0 to UART8	Asynchronous/synchronous serial interface × 9 channels <ul style="list-style-type: none"> • I²C-bus (UART0 to UART6) • Special mode 2 (UART0 to UART6) • IEBus (optional ⁽¹⁾) (UART0 to UART6)
A/D Converter		10-bit resolution × 26 channels Sample and hold functionality integrated
D/A Converter		8-bit resolution × 2
CRC Calculator		CRC-CCITT ($X^{16} + X^{12} + X^5 + 1$)
X-Y Converter		16 bits × 16 bits
Intelligent I/O		Time measurement (input capture): 16 bits × 16 Waveform generation (output compare): 16 bits × 19 Serial interface: Variable-length synchronous serial I/O mode, IEBus mode (optional ⁽¹⁾)
Flash Memory		Programming and erasure supply voltage: VCC1 = VCC2 = 3.0 to 5.5 V Minimum endurance: 1,000 program/erase cycles Security protection: ROM code protect, ID code protect Debugging: On-chip debug, on-board flash programming
Operating Frequency/Supply Voltage		50 MHz/VCC1 = 3.0 to 5.5 V, VCC2 = 3.0 V to VCC1
Operating Temperature		-20°C to 85°C (N version) -40°C to 85°C (D version)
Current Consumption		32 mA (VCC1 = VCC2 = 5.0 V, f(CPU) = 50 MHz) 8 μA (VCC1 = VCC2 = 3.3 V, f(XCIN) = 32.768 kHz, in wait mode)
Package		100-pin plastic molded LQFP (PLQP0100KB-A) 100-pin plastic molded TFLGA (PTLG0100KA-A)

Note:

1. Contact a Renesas Electronics sales office to use the optional features.

Table 1.3 Performance Overview for the 64-pin Package (1/2)

Unit	Function	Explanation
CPU	Central processing unit	R32C/100 Series CPU Core <ul style="list-style-type: none"> • Basic instructions: 108 • Minimum instruction execution time: 20 ns ($f(\text{CPU}) = 50 \text{ MHz}$) • Multiplier: 32-bit \times 32-bit \rightarrow 64-bit • Multiply-accumulate unit: 32-bit \times 32-bit + 64-bit \rightarrow 64-bit • IEEE-754 compatible FPU: Single precision • 32-bit barrel shifter • Operating mode: Single-chip mode
Memory		Flash memory: 128/256 Kbytes RAM: 32 Kbytes Data flash: 4 Kbytes \times 2 blocks Refer to Table 1.5 for memory size of each product group
Voltage Detector	Low voltage detector	Optional (1) Low voltage detection interrupt
Clock	Clock generator	<ul style="list-style-type: none"> • 4 circuits (main clock, sub clock, PLL, on-chip oscillator) • Oscillation stop detector: Main clock oscillator stop/restart detection • Frequency divide circuit: Divide-by-2 to divide-by-24 selectable • Low power modes: Wait mode, stop mode
Interrupts		Interrupt vectors: 261 External interrupt inputs: $\overline{\text{NMI}}$, $\overline{\text{INT}} \times 6$, key input $\times 4$ Interrupt priority levels: 7
Watchdog Timer		15 bits \times 1 (selectable input frequency from prescaler output)
DMA	DMAC	4 channels <ul style="list-style-type: none"> • Cycle-steal transfer mode • Request sources: 45 • 2 transfer modes: Single transfer, repeat transfer
	DMAC II	<ul style="list-style-type: none"> • Triggered by an interrupt request of any peripheral • 3 characteristic transfer functions: Immediate data transfer, calculation result transfer, chain transfer
I/O Ports	Programmable I/O ports	<ul style="list-style-type: none"> • 1 input-only port • 49 CMOS I/O ports • 2 N-channel open drain ports • A pull-up resistor is selectable for every 4 input ports

Note:

1. Contact a Renesas Electronics sales office to use the optional features.

Table 1.4 Performance Overview for the 64-pin Package (2/2)

Unit	Function	Explanation
Timer	Timer A	16-bit timer × 5 Timer mode, event counter mode, one-shot timer mode, pulse-width modulation (PWM) mode Two-phase pulse signal processing in event counter mode (two-phase encoder input) × 3
	Timer B	16-bit timer × 6 ⁽¹⁾ Timer mode, event counter mode, pulse frequency measurement mode, pulse-width measurement mode
	Three-phase motor control timer	Three-phase motor control timer × 1 (timers A1, A2, A4, and B2 used) 8-bit programmable dead time timer
Serial Interface	UART0 to UART3, UART5, UART8	Asynchronous/synchronous serial interface × 6 channels • I ² C-bus (UART0 to UART3, UART5) • Special mode 2 (UART0 to UART3, UART5) • IEBus (optional ⁽²⁾) (UART0 to UART3, UART5)
A/D Converter		10-bit resolution × 20 channels Sample and hold functionality integrated
D/A Converter		8-bit resolution × 1
CRC Calculator		CRC-CCITT ($X^{16} + X^{12} + X^5 + 1$)
X-Y Converter		16 bits × 16 bits
Intelligent I/O		Time measurement (input capture): 16 bits × 16 Waveform generation (output compare): 16 bits × 19 Serial interface: Variable-length synchronous serial I/O mode, IEBus mode (optional ⁽²⁾)
Flash Memory		Programming and erasure supply voltage: VCC1 = 3.0 to 5.5 V Minimum endurance: 1,000 program/erase cycles Security protection: ROM code protect, ID code protect Debugging: On-chip debug, on-board flash programming
Operating Frequency/Supply Voltage		50 MHz/VCC1 = 3.0 to 5.5 V
Operating Temperature		-40°C to 85°C (D version)
Current Consumption		32 mA (VCC1 = 5.0 V, f(CPU) = 50 MHz) 8 μA (VCC1 = 3.3 V, f(XCIN) = 32.768 kHz, in wait mode)
Package		64-pin plastic molded LQFP (PLQP0064KB-A)

Notes:

1. Timer B4 is available in timer mode only.
2. Contact a Renesas Electronics sales office to use the optional features.

1.2 Product Information

Table 1.5 lists the product information and Figure 1.1 shows the details of the part number.

Table 1.5 R32C/111 Group Product List

As of March, 2014

Part Number	Package Code (1)	ROM Capacity (2)	RAM Capacity	Remarks
R5F64110DFB	PLQP0100KB-A	256 Kbytes +8 Kbytes	63 Kbytes	-40°C to 85°C (D version)
R5F64111DFB		384 Kbytes +8 Kbytes		
R5F64112DFB		512 Kbytes +8 Kbytes		
R5F64114DFB		256 Kbytes +8 Kbytes	40 Kbytes	
R5F64115DFB		384 Kbytes +8 Kbytes		
R5F64116DFB		512 Kbytes +8 Kbytes		
R5F64111NLG	PTLG0100KA-A	384 Kbytes +8 Kbytes	63 Kbytes	-20°C to 85°C (N version)
R5F64112NLG		512 Kbytes +8 Kbytes		
R5F6411FNLG		256 Kbytes +8 Kbytes	32 Kbytes	
R5F6411EDFN	PLQP064KB-A	128 Kbytes +8 Kbytes	32 Kbytes	-40°C to 85°C (D version)
R5F6411FDFN		256 Kbytes +8 Kbytes		

Notes:

- The old package codes are as follows:
 PLQP0100KB-A: 100P6Q-A
 PTLG0100KA-A: 100F0M
 PLQP0064KB-A: 64P6Q-A
- “+ 8 Kbytes” in the ROM capacity column indicates the data flash capacity.

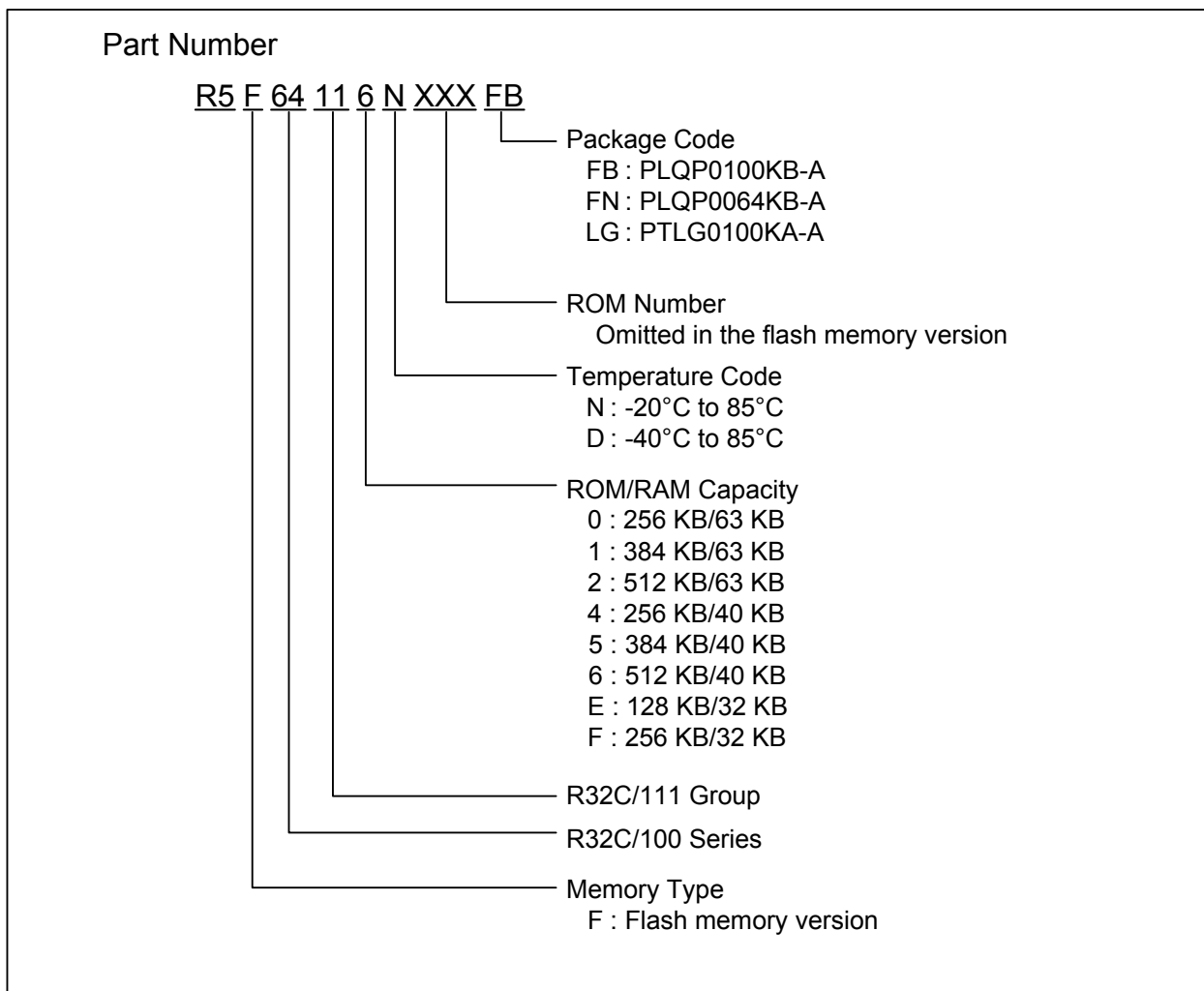


Figure 1.1 Part Numbering

1.3 Block Diagram

Figures 1.2 and 1.3 show block diagram of the R32C/111 Group.

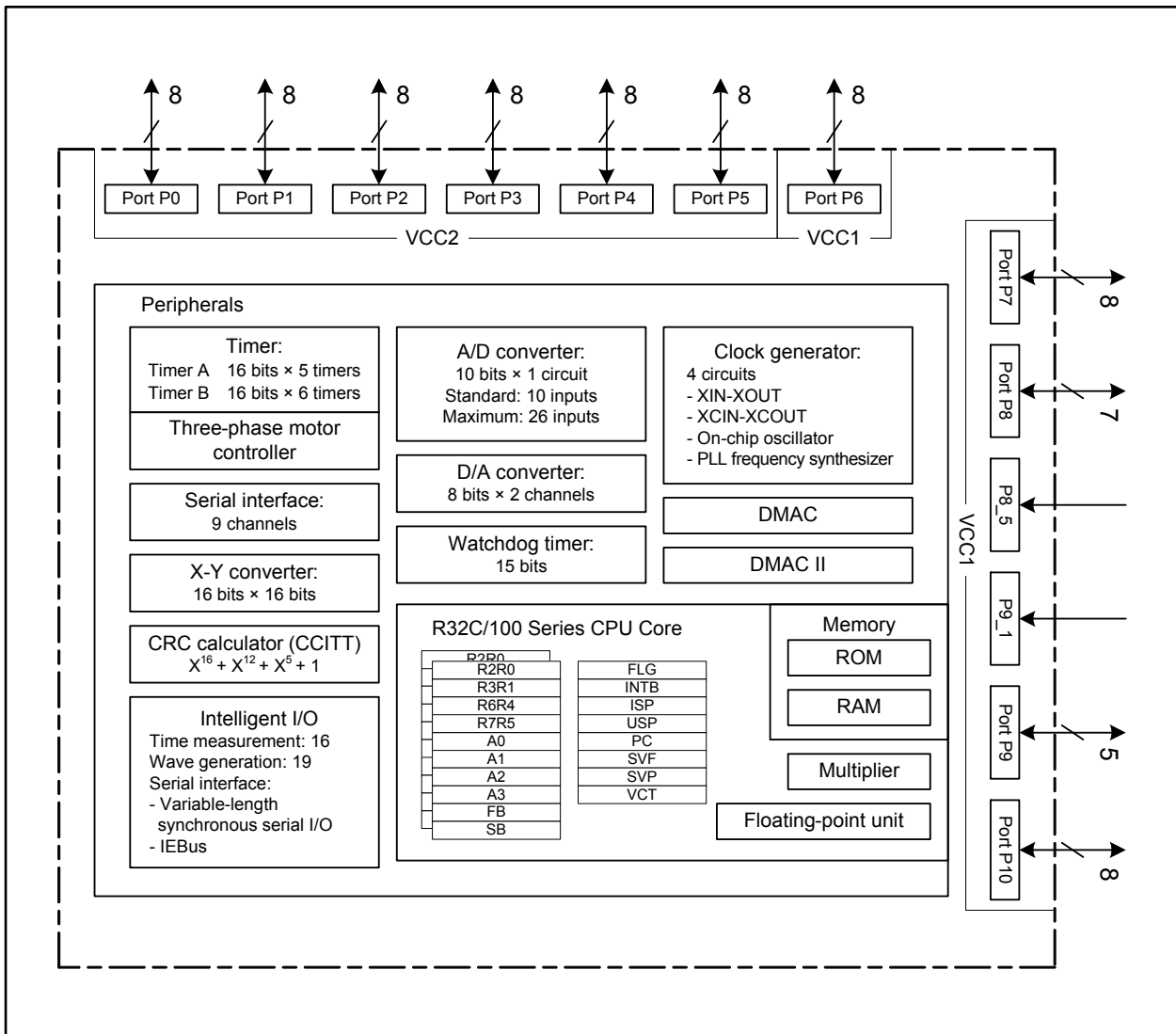


Figure 1.2 R32C/111 Group Block Diagram for the 100-pin Package

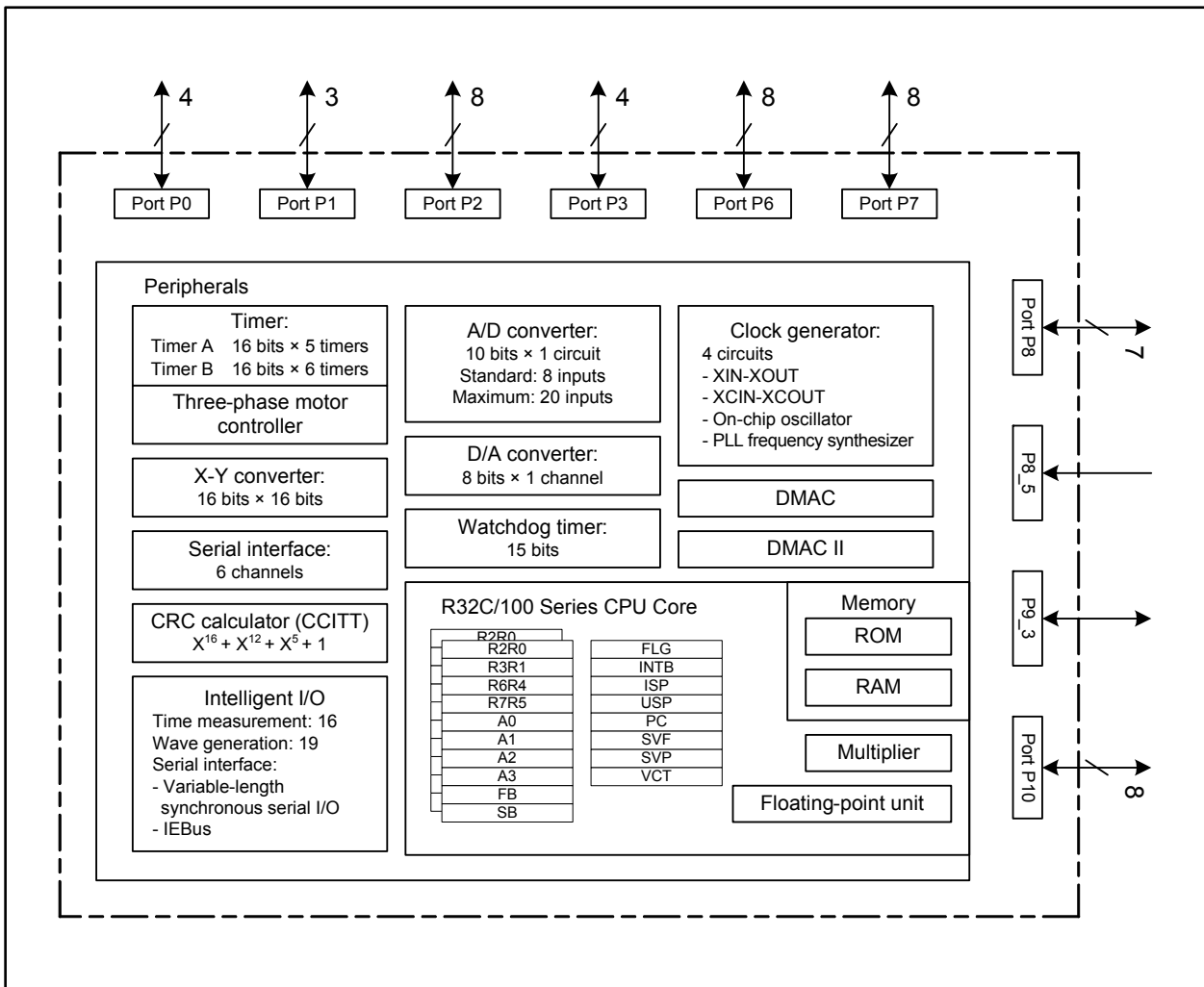


Figure 1.3 R32C/111 Group Block Diagram for the 64-pin Package

1.4 Pin Assignments

Figures 1.4 to 1.6 show the pin assignments (top view) and Tables 1.6 to 1.10 show the pin characteristics.

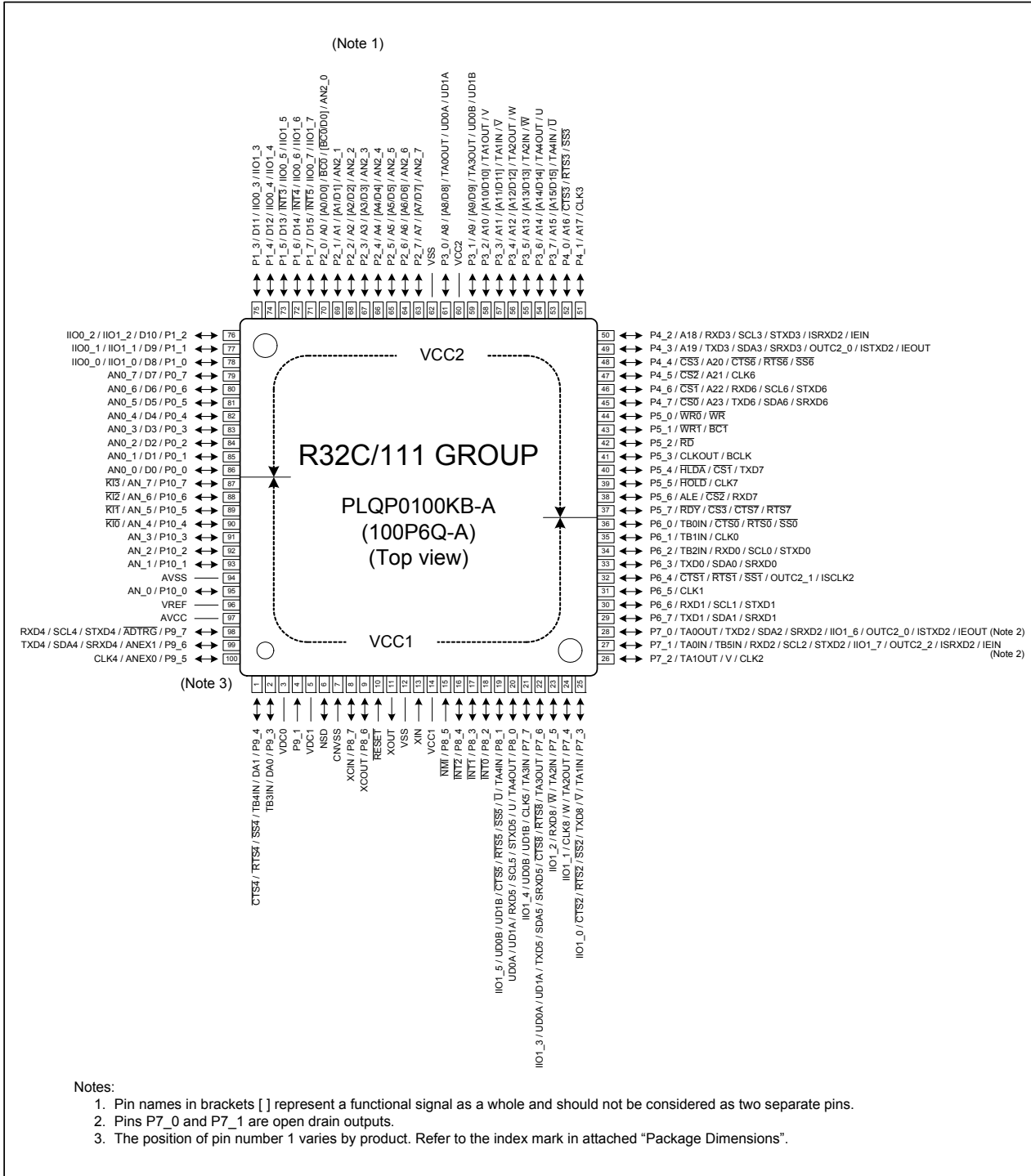


Figure 1.4 Pin Assignment for the 100-pin Package (top view)

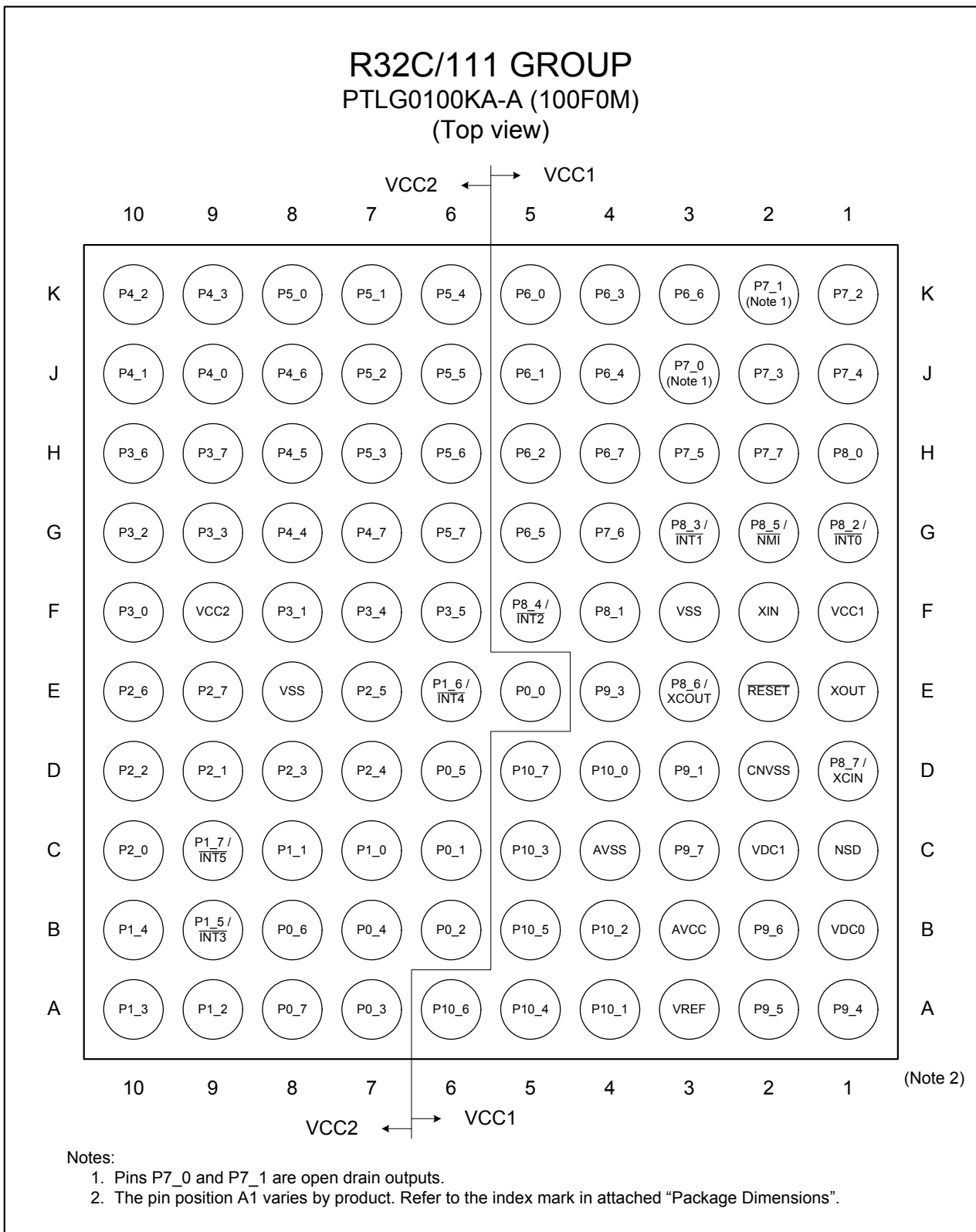


Figure 1.5 Pin Assignment for the 100-pin LGA Package (top view)

Table 1.6 Pin Characteristics for the 100-pin Package (1/3)

Pin No.		Control Pin	Port	Interrupt Pin	Timer Pin	UART Pin	Intelligent I/O Pin	Analog Pin	Bus Control Pin
QFP	LGA								
1	A1		P9_4		TB4IN	CTS4/RTS4/SS4		DA1	
2	E4		P9_3		TB3IN			DA0	
3	B1	VDC0							
4	D3		P9_1						
5	C2	VDC1							
6	C1	NSD							
7	D2	CNVSS							
8	D1	XCIN	P8_7						
9	E3	XCOU	P8_6						
10	E2	RESET							
11	E1	XOUT							
12	F3	VSS							
13	F2	XIN							
14	F1	VCC1							
15	G2		P8_5	NMI					
16	F5		P8_4	INT2					
17	G3		P8_3	INT1					
18	G1		P8_2	INT0					
19	F4		P8_1		TA4IN/U	CTS5/RTS5/SS5	IIO1_5/UD0B/UD1B		
20	H1		P8_0		TA4OUT/U	RXD5/SCL5/STXD5	UD0A/UD1A		
21	H2		P7_7		TA3IN	CLK5	IIO1_4/UD0B/UD1B		
22	G4		P7_6		TA3OUT	TXD5/SDA5/ SRXD5/CTS8/RTS8	IIO1_3/UD0A/UD1A		
23	H3		P7_5		TA2IN/W	RXD8	IIO1_2		
24	J1		P7_4		TA2OUT/W	CLK8	IIO1_1		
25	J2		P7_3		TA1IN/V	CTS2/RTS2/SS2/ TXD8	IIO1_0		
26	K1		P7_2		TA1OUT/V	CLK2			
27	K2		P7_1		TA0IN/ TB5IN	RXD2/SCL2/STXD2	IIO1_7/OUTC2_2/ ISRXD2/IEIN		
28	J3		P7_0		TA0OUT	TXD2/SDA2/SRXD2	IIO1_6/OUTC2_0/ ISTXD2/IEOUT		
29	H4		P6_7			TXD1/SDA1/SRXD1			
30	K3		P6_6			RXD1/SCL1/STXD1			
31	G5		P6_5			CLK1			
32	J4		P6_4			CTS1/RTS1/SS1	OUTC2_1/ISCLK2		
33	K4		P6_3			TXD0/SDA0/SRXD0			
34	H5		P6_2		TB2IN	RXD0/SCL0/STXD0			
35	J5		P6_1		TB1IN	CLK0			
36	K5		P6_0		TB0IN	CTS0/RTS0/SS0			
37	G6		P5_7			CTS7/RTS7			RDY/CS3
38	H6		P5_6			RXD7			ALE/CS2
39	J6		P5_5			CLK7			HOLD

Table 1.7 Pin Characteristics for the 100-pin Package (2/3)

Pin No.		Control Pin	Port	Interrupt Pin	Timer Pin	UART Pin	Intelligent I/O Pin	Analog Pin	Bus Control Pin
QFP	LGA								
40	K6		P5_4			TXD7			HLDA/CS1
41	H7		P5_3						CLKOUT/ BCLK
42	J7		P5_2						RD
43	K7		P5_1						WR1/BC1
44	K8		P5_0						WR0/WR
45	G7		P4_7			TXD6/SDA6/SRXD6			CS0/A23
46	J8		P4_6			RXD6/SCL6/STXD6			CS1/A22
47	H8		P4_5			CLK6			CS2/A21
48	G8		P4_4			CTS6/RTS6/SS6			CS3/A20
49	K9		P4_3			TXD3/SDA3/SRXD3	OUTC2_0/ISTXD2/ IEOUT		A19
50	K10		P4_2			RXD3/SCL3/STXD3	ISRXD2/IEIN		A18
51	J10		P4_1			CLK3			A17
52	J9		P4_0			CTS3/RTS3/SS3			A16
53	H9		P3_7		TA4IN/U				A15(/D15)
54	H10		P3_6		TA4OUT/U				A14(/D14)
55	F6		P3_5		TA2IN/W				A13(/D13)
56	F7		P3_4		TA2OUT/W				A12(/D12)
57	G9		P3_3		TA1IN/V				A11(/D11)
58	G10		P3_2		TA1OUT/V				A10(/D10)
59	F8		P3_1		TA3OUT		UD0B/UD1B		A9(/D9)
60	F9	VCC2							
61	F10		P3_0		TA0OUT		UD0A/UD1A		A8(/D8)
62	E8	VSS							
63	E9		P2_7					AN2_7	A7(/D7)
64	E10		P2_6					AN2_6	A6(/D6)
65	E7		P2_5					AN2_5	A5(/D5)
66	D7		P2_4					AN2_4	A4(/D4)
67	D8		P2_3					AN2_3	A3(/D3)
68	D10		P2_2					AN2_2	A2(/D2)
69	D9		P2_1					AN2_1	A1(/D1)
70	C10		P2_0					AN2_0	A0(/D0)/ BC0(/D0)
71	C9		P1_7	INT5			IIO0_7/IIO1_7		D15
72	E6		P1_6	INT4			IIO0_6/IIO1_6		D14
73	B9		P1_5	INT3			IIO0_5/IIO1_5		D13
74	B10		P1_4				IIO0_4/IIO1_4		D12
75	A10		P1_3				IIO0_3/IIO1_3		D11
76	A9		P1_2				IIO0_2/IIO1_2		D10
77	C8		P1_1				IIO0_1/IIO1_1		D9
78	C7		P1_0				IIO0_0/IIO1_0		D8
79	A8		P0_7					AN0_7	D7

Table 1.8 Pin Characteristics for the 100-pin Package (3/3)

Pin No.		Control Pin	Port	Interrupt Pin	Timer Pin	UART Pin	Intelligent I/O Pin	Analog Pin	Bus Control Pin
QFP	LGA								
80	B8		P0_6					AN0_6	D6
81	D6		P0_5					AN0_5	D5
82	B7		P0_4					AN0_4	D4
83	A7		P0_3					AN0_3	D3
84	B6		P0_2					AN0_2	D2
85	C6		P0_1					AN0_1	D1
86	E5		P0_0					AN0_0	D0
87	D5		P10_7	KI3				AN_7	
88	A6		P10_6	KI2				AN_6	
89	B5		P10_5	KI1				AN_5	
90	A5		P10_4	KI0				AN_4	
91	C5		P10_3					AN_3	
92	B4		P10_2					AN_2	
93	A4		P10_1					AN_1	
94	C4	AVSS							
95	D4		P10_0					AN_0	
96	A3	VREF							
97	B3	AVCC							
98	C3		P9_7			RXD4/SCL4/STXD4		ADTRG	
99	B2		P9_6			TXD4/SDA4/SRXD4		ANEX1	
100	A2		P9_5			CLK4		ANEX0	

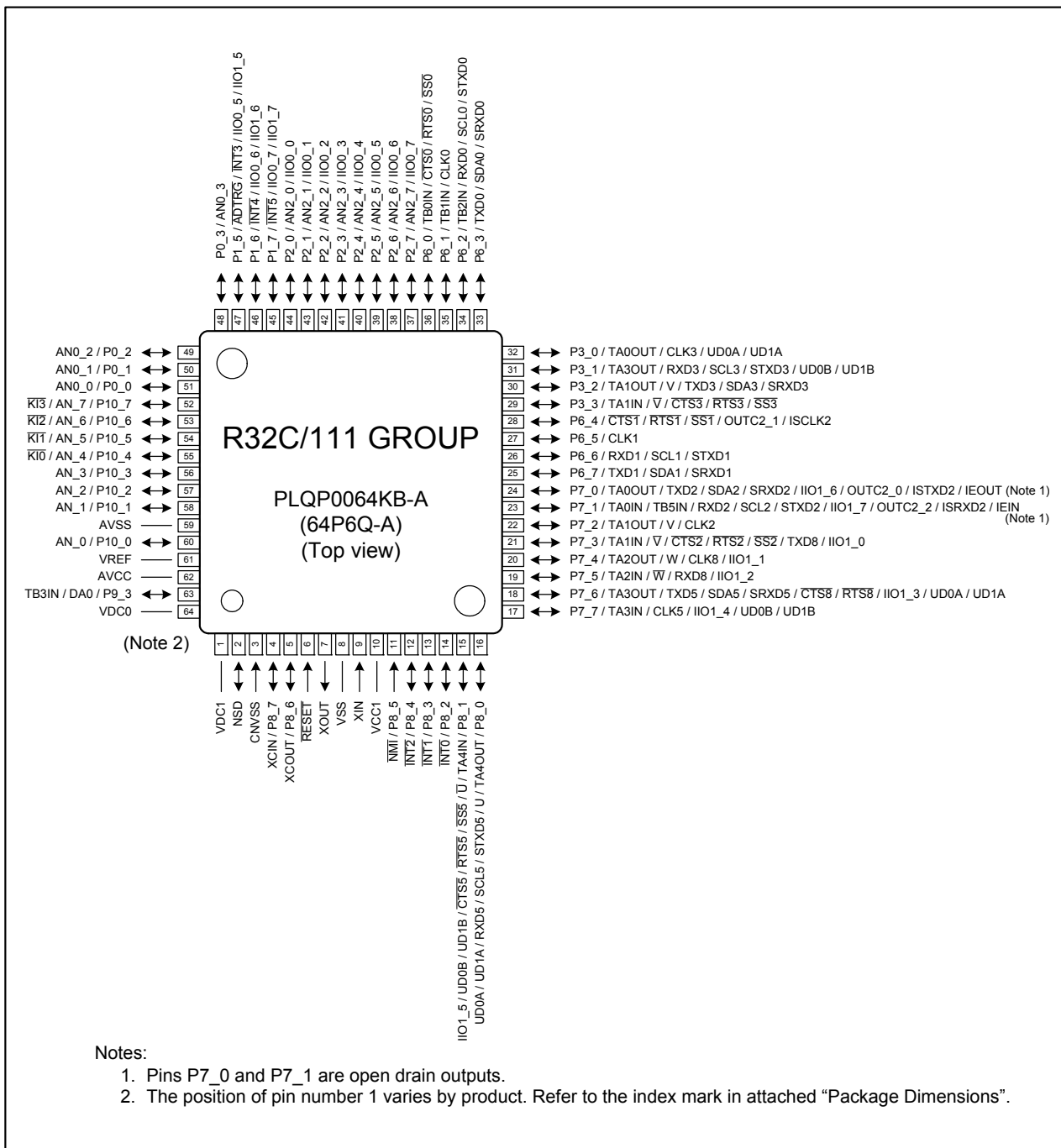


Figure 1.6 Pin Assignment for the 64-pin Package (top view)

Table 1.9 Pin Characteristics for the 64-pin Package (1/2)

Pin No.	Control Pin	Port	Interrupt Pin	Timer Pin	UART Pin	Intelligent I/O Pin	Analog Pin
1	VDC1						
2	NSD						
3	CNVSS						
4	XCIN	P8_7					
5	XCOU	P8_6					
6	RESET						
7	XOUT						
8	VSS						
9	XIN						
10	VCC1						
11		P8_5	NMI				
12		P8_4	INT2				
13		P8_3	INT1				
14		P8_2	INT0				
15		P8_1		TA4IN/U	CTS5/RTS5/SS5	IIO1_5/UD0B/UD1B	
16		P8_0		TA4OUT/U	RXD5/SCL5/STXD5	UD0A/UD1A	
17		P7_7		TA3IN	CLK5	IIO1_4/UD0B/UD1B	
18		P7_6		TA3OUT	TXD5/SDA5/SRXD5/ CTS8/RTS8	IIO1_3/UD0A/UD1A	
19		P7_5		TA2IN/W	RXD8	IIO1_2	
20		P7_4		TA2OUT/W	CLK8	IIO1_1	
21		P7_3		TA1IN/V	CTS2/RTS2/SS2/TXD8	IIO1_0	
22		P7_2		TA1OUT/V	CLK2		
23		P7_1		TA0IN/ TB5IN	RXD2/SCL2/STXD2	IIO1_7/OUTC2_2/ ISRXD2/IEIN	
24		P7_0		TA0OUT	TXD2/SDA2/SRXD2	IIO1_6/OUTC2_0/ ISTXD2/IEOUT	
25		P6_7			TXD1/SDA1/SRXD1		
26		P6_6			RXD1/SCL1/STXD1		
27		P6_5			CLK1		
28		P6_4			CTS1/RTS1/SS1	OUTC2_1/ISCLK2	
29		P3_3		TA1IN/V	CTS3/RTS3/SS3		
30		P3_2		TA1OUT/V	TXD3/SDA3/SRXD3		
31		P3_1		TA3OUT	RXD3/SCL3/STXD3	UD0B/UD1B	
32		P3_0		TA0OUT	CLK3	UD0A/UD1A	
33		P6_3			TXD0/SDA0/SRXD0		
34		P6_2		TB2IN	RXD0/SCL0/STXD0		
35		P6_1		TB1IN	CLK0		
36		P6_0		TB0IN	CTS0/RTS0/SS0		
37		P2_7				IIO0_7	AN2_7
38		P2_6				IIO0_6	AN2_6
39		P2_5				IIO0_5	AN2_5
40		P2_4				IIO0_4	AN2_4

Table 1.10 Pin Characteristics for the 64-pin Package (2/2)

Pin No.	Control Pin	Port	Interrupt Pin	Timer Pin	UART Pin	Intelligent I/O Pin	Analog Pin
41		P2_3				IIO0_3	AN2_3
42		P2_2				IIO0_2	AN2_2
43		P2_1				IIO0_1	AN2_1
44		P2_0				IIO0_0	AN2_0
45		P1_7	$\overline{\text{INT5}}$			IIO0_7/IIO1_7	
46		P1_6	$\overline{\text{INT4}}$			IIO0_6/IIO1_6	
47		P1_5	$\overline{\text{INT3}}$			IIO0_5/IIO1_5	$\overline{\text{ADTRG}}$
48		P0_3					AN0_3
49		P0_2					AN0_2
50		P0_1					AN0_1
51		P0_0					AN0_0
52		P10_7	$\overline{\text{KI3}}$				AN_7
53		P10_6	$\overline{\text{KI2}}$				AN_6
54		P10_5	$\overline{\text{KI1}}$				AN_5
55		P10_4	$\overline{\text{KI0}}$				AN_4
56		P10_3					AN_3
57		P10_2					AN_2
58		P10_1					AN_1
59	AVSS						
60		P10_0					AN_0
61	VREF						
62	AVCC						
63		P9_3		TB3IN			DA0
64	VDC0						

1.5 Pin Definitions and Functions

Tables 1.11 to 1.17 show the pin definitions and functions.

Table 1.11 Pin Definitions and Functions for the 100-pin Package (1/4)

Function	Symbol	I/O	Power Supply	Description
Power supply	VCC1, VCC2, VSS	I	—	Applicable as follows: VCC1 and VCC2 = 3.0 to 5.5 V ($VCC1 \geq VCC2$), VSS = 0 V
Connecting pins for decoupling capacitor	VDC0, VDC1	—	—	A decoupling capacitor for internal voltage should be connected between VDC0 and VDC1
Analog power supply	AVCC, AVSS	I	VCC1	Power supply for the A/D converter. AVCC and AVSS should be connected to VCC1 and VSS, respectively
Reset input	RESET	I	VCC1	The MCU is reset when this pin is driven low
CNVSS	CNVSS	I	VCC1	This pin should be connected to VSS via a resistor
Debug port	NSD	I/O	VCC1	This pin is to communicate with a debugger. It should be connected to VCC1 via a resistor of 1 to 4.7 k Ω
Main clock input	XIN	I	VCC1	Input/output for the main clock oscillator. A crystal, or a ceramic resonator should be connected between pins XIN and XOUT. An external clock should be input at the XIN while leaving the XOUT open
Main clock output	XOUT	O	VCC1	
Sub clock input	XCIN	I	VCC1	Input/output for the sub clock oscillator. A crystal oscillator should be connected between pins XCIN and XCOU. An external clock should be input at the XCIN while leaving the XCOU open
Sub clock output	XCOU	O	VCC1	
BCLK output	BCLK	O	VCC2	BCLK output
Clock output	CLKOUT	O	VCC2	Output of the clock with the same frequency as low speed clocks, f8, or f32
External interrupt input	INT0 to INT5	I	VCC1 VCC2	Input for external interrupts
NMI input	P8_5/NMI	I	VCC1	Input for NMI
Key input interrupt	KI0 to KI3	I	VCC1	Input for the key input interrupt
Bus control pins	D0 to D7	I/O	VCC2	Input/output of data (D0 to D7) while accessing an external memory space with a separate bus
	D8 to D15	I/O	VCC2	Input/output of data (D8 to D15) while accessing an external memory space with 16-bit separate bus
	A0 to A23	O	VCC2	Output of address bits A0 to A23

Table 1.12 Pin Definitions and Functions for the 100-pin Package (2/4)

Function	Symbol	I/O	Power Supply	Description
Bus control pins	A0/D0 to A7/D7	I/O	VCC2	Output of address bits (A0 to A7) and input/output of data (D0 to D7) by time-division while accessing an external memory space with multiplexed bus
	A8/D8 to A15/D15	I/O	VCC2	Output of address bits (A8 to A15) and input/output of data (D8 to D15) by time-division while accessing an external memory space with 16-bit multiplexed bus
	$\overline{BC0}/D0$	I/O	VCC2	Output of byte control ($\overline{BC0}$) and input/output of data (D0) by time-division while accessing an external memory space with multiplexed bus
	$\overline{CS0}$ to $\overline{CS3}$	O	VCC2	Chip select output
	$\overline{WR0}/\overline{WR1}/\overline{WR}/\overline{BC0}/\overline{BC1}/\overline{RD}$	O	VCC2	Output of write, byte control, and read signals. Either \overline{WRx} or \overline{WR} and \overline{BCx} can be selected by a program. Data is read when \overline{RD} is low. <ul style="list-style-type: none"> • When $\overline{WR0}$, $\overline{WR1}$, and \overline{RD} are selected, data is written to the following address: an even address, when $\overline{WR0}$ is low an odd address, when $\overline{WR1}$ is low on 16-bit external data bus • When \overline{WR}, $\overline{BC0}$, $\overline{BC1}$, and \overline{RD} are selected, data is written, when \overline{WR} is low and the following address is accessed: an even address, when $\overline{BC0}$ is low an odd address, when $\overline{BC1}$ is low on 16-bit external data bus
	ALE	O	VCC2	Latch enable signal in multiplexed bus format
	\overline{HOLD}	I	VCC2	The MCU is in a hold state while this pin is held low
	HLDA	O	VCC2	This pin is driven low while the MCU is held in a hold state
	\overline{RDY}	I	VCC2	Bus cycle is extended by the CPU if this pin is low on the falling edge of BCLK

Table 1.13 Pin Definitions and Functions for the 100-pin Package (3/4)

Function	Symbol	I/O	Power Supply	Description
I/O port	P0_0 to P0_7, P1_0 to P1_7, P2_0 to P2_7, P3_0 to P3_7, P4_0 to P4_7, P5_0 to P5_7,	I/O	VCC2	I/O ports in CMOS. Each port can be programmed to input or output under the control of the direction register. Pull-up resistors are selected for the following 4-pin units: Pi_0 to Pi_3 and Pi_4 to Pi_7 (i = 0 to 10); however, they are enabled only for the input pins.
	P6_0 to P6_7, P7_0 to P7_7, P8_0 to P8_4, P8_6, P8_7, P9_3 to P9_7, P10_0 to P10_7	I/O	VCC1	P7_0 and P7_1 outputs are N-channel open drain
Input port	P9_1	I	VCC1	Input port in CMOS. Pull-up resistors are selectable for P9_1 and P9_3
Timer A	TA0OUT to TA4OUT	I/O	VCC1 VCC2	Timers A0 to A4 input/output. TA0OUT output assigned for port P7_0 is N-channel open drain
	TA0IN to TA4IN	I	VCC1 VCC2	Timers A0 to A4 input
Timer B	TB0IN to TB5IN	I	VCC1	Timers B0 to B5 input
Three-phase motor control timer output	U, \bar{U} , V, \bar{V} , W, \bar{W}	O	VCC1 VCC2	Three-phase motor control timer output
Serial interface	$\overline{CTS0}$ to $\overline{CTS8}$	I	VCC1 VCC2	Handshake input
	$\overline{RTS0}$ to $\overline{RTS8}$	O	VCC1 VCC2	Handshake output
	CLK0 to CLK8	I/O	VCC1 VCC2	Transmit/receive clock input/output
	RXD0 to RXD8	I	VCC1 VCC2	Serial data input
	TXD0 to TXD8	O	VCC1 VCC2	Serial data output. TXD2 output is N-channel open drain
I ² C-bus (simplified)	SDA0 to SDA6	I/O	VCC1 VCC2	Serial data input/output. SDA2 output is N-channel open drain
	SCL0 to SCL6	I/O	VCC1 VCC2	Transmit/receive clock input/output. SCL2 output is N-channel open drain

Table 1.14 Pin Definitions and Functions for the 100-pin Package (4/4)

Function	Symbol	I/O	Power Supply	Description
Serial interface special functions	STXD0 to STXD6	O	VCC1 VCC2	Serial data output in slave mode. STXD2 is N-channel open drain
	SRXD0 to SRXD6	I	VCC1 VCC2	Serial data input in slave mode
	$\overline{SS}0$ to $\overline{SS}6$	I	VCC1 VCC2	Input to control serial interface special functions
A/D converter	AN_0 to AN_7	I	VCC1	Analog input for the A/D converter
	AN0_0 to AN0_7, AN2_0 to AN2_7	I	VCC2	
	ADTRG	I	VCC1	External trigger input for the A/D converter
	ANEX0	I/O	VCC1	Expanded analog input for the A/D converter and output in external op-amp connection mode
	ANEX1	I	VCC1	Expanded analog input for the A/D converter
D/A converter	DA0, DA1	O	VCC1	Output for the D/A converter
Reference voltage input	VREF	I	–	Reference voltage input for the A/D converter and D/A converter
Intelligent I/O	IIO0_0 to IIO0_7	I/O	VCC1 VCC2	Input/output for Intelligent I/O group 0. Either input capture or output compare is selectable
	IIO1_0 to IIO1_7	I/O	VCC1 VCC2	Input/output for Intelligent I/O group 1. Either input capture or output compare is selectable. IIO1_6 and IIO1_7 outputs assigned for ports P7_0 and P7_1 are N-channel open drain
	UD0A, UD0B, UD1A, UD1B	I	VCC1 VCC2	Input for the two-phase encoder
	OUTC2_0 to OUTC2_2	O	VCC1 VCC2	Output for OC (output compare) of Intelligent I/O group 2. OUTC2_0 and OUTC2_2 assigned for ports P7_0 and P7_1 are N-channel open drain
	ISCLK2	I/O	VCC1 VCC2	Clock input/output for the serial interface
	ISRXD2	I		Receive data input for the serial interface
	ISTXD2	O		Transmit data output for the serial interface. ISTXD2 assigned for port P7_0 is N-channel open drain
	IEIN	I	VCC1 VCC2	Receive data input for the serial interface
	IEOUT	O		Transmit data output for the serial interface. IEOUT assigned for port P7_0 is N-channel open drain

Table 1.15 Pin Definitions and Functions for 64-pin Package (1/3)

Function	Symbol	I/O	Description
Power supply	VCC1, VSS	I	Applicable as follows: VCC1 = 3.0 to 5.5 V, VSS = 0 V
Connecting pins for decoupling capacitor	VDC0, VDC1	—	A decoupling capacitor for internal voltage should be connected between VDC0 and VDC1
Analog power supply	AVCC, AVSS	I	Power supply for the A/D converter. AVCC and AVSS should be connected to VCC and VSS, respectively
Reset input	$\overline{\text{RESET}}$	I	The MCU is reset when this pin is driven low
CNVSS	CNVSS	I	This pin should be connected to VSS via a resistor
Debug port	NSD	I/O	This pin is to communicate with a debugger. It should be connected to VCC1 via a resistor of 1 to 4.7 k Ω
Main clock input	XIN	I	Input/output for the main clock oscillator. A crystal, or a ceramic resonator should be connected between pins XIN and XOUT. An external clock should be input at the XIN while leaving the XOUT open
Main clock output	XOUT	O	
Sub clock input	XCIN	I	Input/output for the sub clock oscillator. A crystal oscillator should be connected between pins XCIN and XCOU. An external clock should be input at the XCIN while leaving the XCOU open
Sub clock output	XCOU	O	
External interrupt input	INT0 to INT5	I	Input for external interrupts
NMI input	P8_5/ $\overline{\text{NMI}}$	I	Input for NMI
Key input interrupt	KI0 to KI3	I	Input for the key input interrupt
I/O port	P0_0 to P0_3, P1_5 to P1_7, P2_0 to P2_7, P3_0 to P3_3, P6_0 to P6_7, P7_0 to P7_7, P8_0 to P8_4, P8_6, P8_7, P9_3, P10_0 to P10_7	I/O	I/O ports in CMOS. Each port can be programmed to input or output under the control of the direction register. Pull-up resistors are selected for the following 4-pin units: Pi_0 to Pi_3 and Pi_4 to Pi_7 (i = 0 to 3, 6 to 10); however, they are enabled only for the input pins. P7_0 and P7_1 outputs are N-channel open drain
Timer A	TA0OUT to TA4OUT	I/O	Timers A0 to A4 input/output. TA0OUT output assigned for port P7_0 is N-channel open drain
	TA0IN to TA4IN	I	Timers A0 to A4 input
Timer B	TB0IN to TB3IN, TB5IN	I	Timers B0 to B3, and B5 input
Three-phase motor control timer output	U, \overline{U} , V, \overline{V} , W, \overline{W}	O	Three-phase motor control timer output

Table 1.16 Pin Definitions and Functions for the 64-pin Package (2/3)

Function	Symbol	I/O	Description
Serial interface	$\overline{\text{CTS0}}$ to $\overline{\text{CTS3}}$, $\overline{\text{CTS5}}$, $\overline{\text{CTS8}}$	I	Handshake input
	$\overline{\text{RTS0}}$ to $\overline{\text{RTS3}}$, $\overline{\text{RTS5}}$, $\overline{\text{RTS8}}$	O	Handshake output
	CLK0 to CLK3, CLK5, CLK8	I/O	Transmit/receive clock input/output
	RXD0 to RXD3, RXD5, RXD8	I	Serial data input
	TXD0 to TXD3, TXD5, TXD8	O	Serial data output. TXD2 output is N-channel open drain
I ² C-bus (simplified)	SDA0 to SDA3, SDA5	I/O	Serial data input/output. SDA2 output is N-channel open drain
	SCL0 to SCL3, SCL5	I/O	Transmit/receive clock input/output. SCL2 output is N-channel open drain
Serial interface special functions	STXD0 to STXD3, STXD5	O	Serial data output in slave mode. STXD2 is N-channel open drain
	SRXD0 to SRXD3, SRXD5	I	Serial data input in slave mode
	$\overline{\text{SS0}}$ to $\overline{\text{SS3}}$, $\overline{\text{SS5}}$	I	Input to control serial interface special functions
A/D converter	AN_0 to AN_7, AN0_0 to AN0_3, AN2_0 to AN2_7	I	Analog input for the A/D converter
	ADTRG	I	External trigger input for the A/D converter
D/A converter	DA0	O	Output for the D/A converter
Reference voltage input	VREF	I	Reference voltage input for the A/D converter and D/A converter

Table 1.17 Pin Definitions and Functions for the 64-pin Package (3/3)

Function	Symbol	I/O	Description
Intelligent I/O	IIO0_0 to IIO0_7	I/O	Input/output for Intelligent I/O group 0. Either input capture or output compare is selectable
	IIO1_0 to IIO1_7	I/O	Input/output for Intelligent I/O group 1. Either input capture or output compare is selectable. IIO1_6 and IIO1_7 outputs assigned for ports P7_0 and P7_1 are N-channel open drain
	UD0A, UD0B, UD1A, UD1B	I	Input for the two-phase encoder
	OUTC2_0 to OUTC2_2	O	Output for OC (output compare) of Intelligent I/O group 2. OUTC2_0 and OUTC2_2 assigned for ports P7_0 and P7_1 are N-channel open drain
	ISCLK2	I/O	Clock input/output for the serial interface
	ISRXD2	I	Receive data input for the serial interface
	ISTXD2	O	Transmit data output for the serial interface. ISTXD2 assigned for port P7_0 is N-channel open drain
	IEIN	I	Receive data input for the serial interface
	IEOUT	O	Transmit data output for the serial interface. IEOUT assigned for port P7_0 is N-channel open drain

2. Central Processing Unit (CPU)

The CPU contains the registers shown below. There are two register banks each consisting of registers R2R0, R3R1, R6R4, R7R5, A0 to A3, SB, and FB.

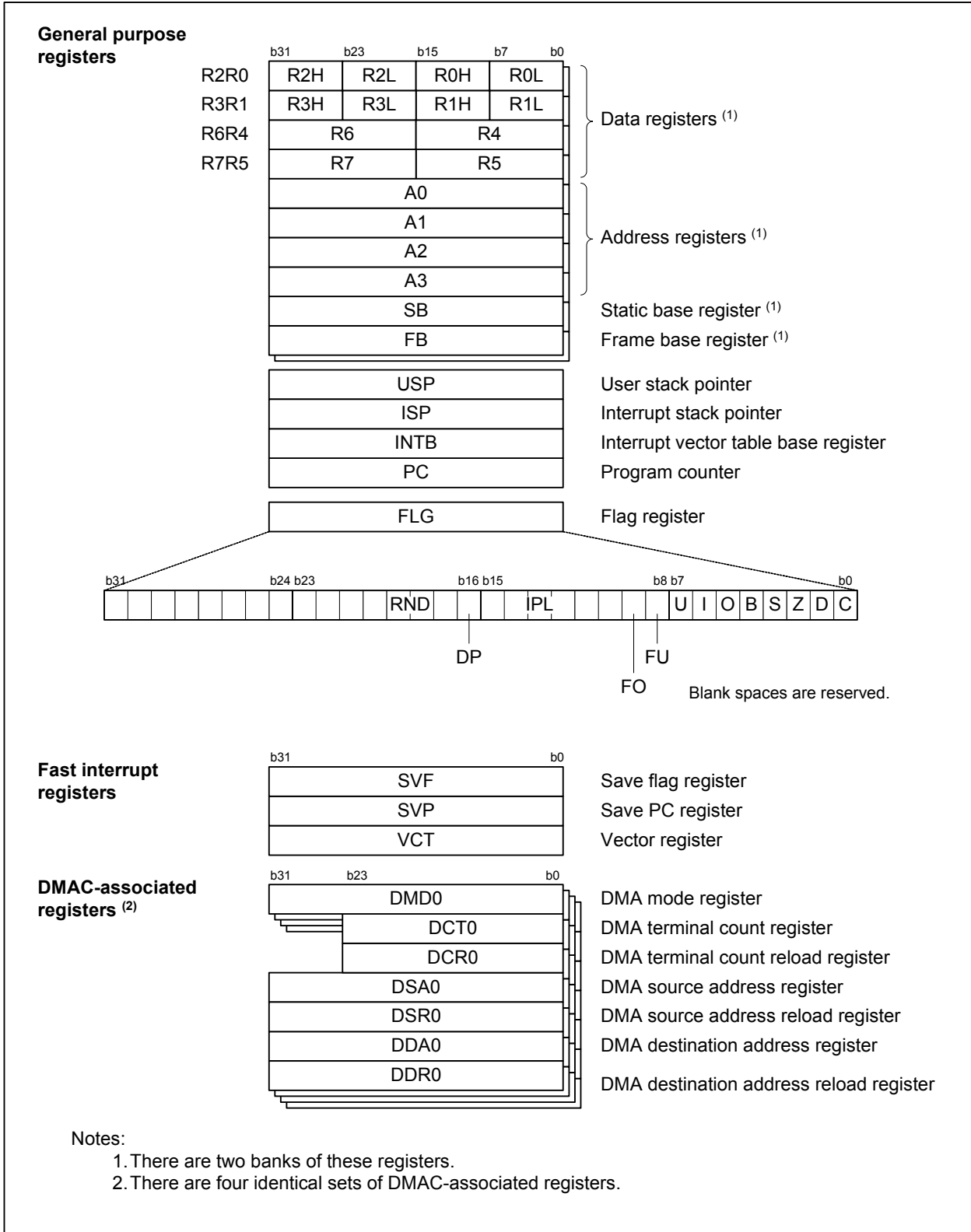


Figure 2.1 CPU Registers

2.1 General Purpose Registers

2.1.1 Data Registers (R2R0, R3R1, R6R4, and R7R5)

These 32-bit registers are primarily used for transfers and arithmetic/logic operations.

Each of the registers can be divided into upper and lower 16-bit registers, e.g. R2R0 can be divided into R2 and R0, R3R1 can be divided into R3 and R1, etc.

Moreover, data registers R2R0 and R3R1 can be divided into four 8-bit data registers: upper (R2H and R3H), mid-upper (R2L and R3L), mid-lower (R0H and R1H), and lower (R0L and R1L).

2.1.2 Address Registers (A0, A1, A2, and A3)

These 32-bit registers have functions similar to data registers. They are also used for address register indirect addressing and address register relative addressing.

2.1.3 Static Base Register (SB)

This 32-bit register is used for SB relative addressing.

2.1.4 Frame Base Register (FB)

This 32-bit register is used for FB relative addressing.

2.1.5 Program Counter (PC)

This 32-bit counter indicates the address of the instruction to be executed next.

2.1.6 Interrupt Vector Table Base Register (INTB)

This 32-bit register indicates the start address of a relocatable vector table.

2.1.7 User Stack Pointer (USP) and Interrupt Stack Pointer (ISP)

Two types of 32-bit stack pointers (SPs) are provided: user stack pointer (USP) and interrupt stack pointer (ISP).

Use the stack pointer select flag (U flag) to select either the user stack pointer (USP) or the interrupt stack pointer (ISP). The U flag is bit 7 in the flag register (FLG). Refer to 2.1.8 "Flag Register (FLG)" for details.

To minimize the overhead of interrupt sequence due to less memory access, set the user stack pointer (USP) or the interrupt stack pointer (ISP) to a multiple of 4.

2.1.8 Flag Register (FLG)

This 32-bit register indicates the CPU status.

2.1.8.1 Carry Flag (C flag)

This flag retains a carry, borrow, or shifted-out bit generated by the arithmetic logic unit (ALU).

2.1.8.2 Debug Flag (D flag)

This flag is only for debugging. Only set this bit to 0.

2.1.8.3 Zero Flag (Z flag)

This flag becomes 1 when the result of an operation is 0; otherwise it is 0.

2.1.8.4 Sign Flag (S flag)

This flag becomes 1 when the result of an operation is a negative value; otherwise it is 0.

2.1.8.5 Register Bank Select Flag (B flag)

This flag selects a register bank. It indicates 0 when register bank 0 is selected, and 1 when register bank 1 is selected.

2.1.8.6 Overflow Flag (O flag)

This flag becomes 1 when the result of an operation overflows; otherwise it is 0.

2.1.8.7 Interrupt Enable Flag (I flag)

This flag enables maskable interrupts. To disable maskable interrupts, set this flag to 0. To enable them, set this flag to 1. When an interrupt is accepted, the flag becomes 0.

2.1.8.8 Stack Pointer Select Flag (U flag)

To select the interrupt stack pointer (ISP), set this flag to 0. To select the user stack pointer (USP), set this flag to 1.

It becomes 0 when a hardware interrupt is accepted or when an INT instruction designated by a software interrupt number from 0 to 127 is executed.

2.1.8.9 Floating-point Underflow Flag (FU flag)

This flag becomes 1 when an underflow occurs in a floating-point operation; otherwise it is 0. It also becomes 1 when the operand contains invalid numbers (subnormal numbers).

2.1.8.10 Floating-point Overflow Flag (FO flag)

This flag becomes 1 when an overflow occurs in a floating-point operation; otherwise it is 0. It also becomes 1 when the operand contains invalid numbers (subnormal numbers).

2.1.8.11 Processor Interrupt Priority Level (IPL)

The processor interrupt priority level (IPL), consisting of 3 bits, selects a processor interrupt priority level from level 0 to 7. An interrupt is enabled when the interrupt request level is higher than the selected IPL.

When the processor interrupt priority level (IPL) is set to 111b (level 7), all interrupts are disabled.

2.1.8.12 Fixed-point Radix Point Designation Bit (DP bit)

This bit designates the radix point. It also specifies which portion of the fixed-point multiplication result to extract. It is used for the MULX instruction.

2.1.8.13 Floating-point Rounding Mode (RND)

The 2-bit floating-point rounding mode selects a rounding mode for floating-point calculation results.

2.1.8.14 Reserved

Only set this bit to 0. The read value is undefined.

2.2 Fast Interrupt Registers

The following three registers are provided to minimize the overhead of the interrupt sequence.

2.2.1 Save Flag Register (SVF)

This 32-bit register is used to save the flag register when a fast interrupt occurs.

2.2.2 Save PC Register (SVP)

This 32-bit register is used to save the program counter when a fast interrupt occurs.

2.2.3 Vector Register (VCT)

This 32-bit register is used to indicate a jump address when a fast interrupt occurs.

2.3 DMAC-associated Registers

There are seven types of DMAC-associated registers.

2.3.1 DMA Mode Registers (DMD0, DMD1, DMD2, and DMD3)

These 32-bit registers are used to set DMA transfer mode, bit rate, etc.

2.3.2 DMA Terminal Count Registers (DCT0, DCT1, DCT2, and DCT3)

These 24-bit registers are used to set the number of DMA transfers.

2.3.3 DMA Terminal Count Reload Registers (DCR0, DCR1, DCR2, and DCR3)

These 24-bit registers are used to set the reloaded values for DMA terminal count registers.

2.3.4 DMA Source Address Registers (DSA0, DSA1, DSA2, and DSA3)

These 32-bit registers are used to set DMA source addresses.

2.3.5 DMA Source Address Reload Registers (DSR0, DSR1, DSR2, and DSR3)

These 32-bit registers are used to set the reloaded values for DMA source address registers.

2.3.6 DMA Destination Address Registers (DDA0, DDA1, DDA2, and DDA3)

These 32-bit registers are used to set DMA destination addresses.

2.3.7 DMA Destination Address Reload Registers (DDR0, DDR1, DDR2, and DDR3)

These 32-bit registers are used to set reloaded values for DMA destination address registers.

3. Memory

Figure 3.1 shows the memory map of the R32C/111 Group.

The R32C/111 Group provides a 4-Gbyte address space from 00000000h to FFFFFFFFh.

The internal ROM is mapped from address FFFFFFFFh in the inferior direction. For example, the 512-Kbyte internal ROM is mapped from FFF80000h to FFFFFFFFh.

The fixed interrupt vector table contains the start address of interrupt handlers and is mapped from FFFFFFFDCh to FFFFFFFFh.

The internal RAM is mapped from address 00000400h in the superior direction. For example, the 63-Kbyte internal RAM is mapped from 00000400h to 0000FFFFh. Besides being used for data storage, the internal RAM functions as a stack(s) for subroutine calls and/or interrupt handlers.

Special function registers (SFRs), which are control registers for peripheral functions, are mapped from 00000000h to 000003FFh, and from 00040000h to 0004FFFFh. Unoccupied SFR locations are reserved, and no access is allowed.

In memory expansion mode or microprocessor mode, some spaces are reserved for internal use and should not be accessed.

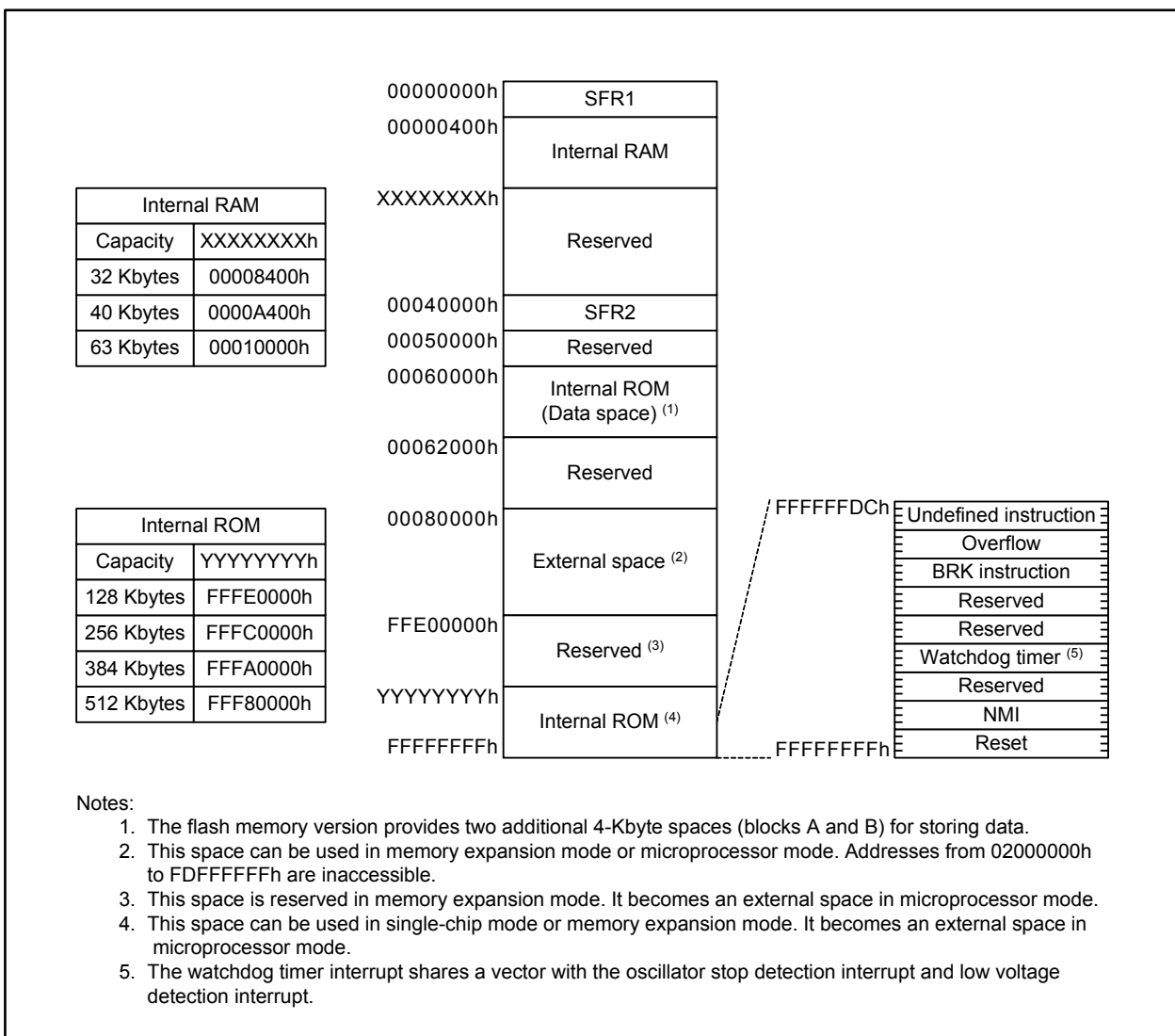


Figure 3.1 Memory Map

4. Special Function Registers (SFRs)

SFRs are memory-mapped peripheral registers that control the operation of peripherals. Tables 4.1 SFR List (1) to 4.24 SFR List (24) list the SFR details.

Table 4.1 SFR List (1)

Address	Register	Symbol	Reset Value
000000h			
000001h			
000002h			
000003h			
000004h	Clock Control Register	CCR	0001 1000b
000005h			
000006h	Flash Memory Control Register	FMCR	0000 0001b
000007h	Protect Release Register	PRR	00h
000008h			
000009h			
00000Ah			
00000Bh			
00000Ch			
00000Dh			
00000Eh			
00000Fh			
000010h	External Bus Control Register 3/Flash Memory Rewrite Bus	EBC3/FEBC3	0000h
000011h	Control Register 3		
000012h	Chip Selects 2 and 3 Boundary Setting Register	CB23	00h
000013h			
000014h	External Bus Control Register 2	EBC2	0000h
000015h			
000016h	Chip Selects 1 and 2 Boundary Setting Register	CB12	00h
000017h			
000018h	External Bus Control Register 1	EBC1	0000h
000019h			
00001Ah	Chip Selects 0 and 1 Boundary Setting Register	CB01	00h
00001Bh			
00001Ch	External Bus Control Register 0/Flash Memory Rewrite Bus	EBC0/FEBC0	0000h
00001Dh	Control Register 0		
00001Eh	Peripheral Bus Control Register	PBC	0504h
00001Fh			
000020h to 00005Fh			

X: Undefined

Blanks are reserved. No access is allowed.

Table 4.2 SFR List (2)

Address	Register	Symbol	Reset Value
000060h			
000061h	Timer B5 Interrupt Control Register	TB5IC	XXXX X000b
000062h	UART5 Transmit/NACK Interrupt Control Register	S5TIC	XXXX X000b
000063h	UART2 Receive/ACK Interrupt Control Register	S2RIC	XXXX X000b
000064h	UART6 Transmit/NACK Interrupt Control Register	S6TIC	XXXX X000b
000065h	UART3 Receive/ACK Interrupt Control Register	S3RIC	XXXX X000b
000066h	UART5/6 Bus Collision, START Condition/STOP Condition Detection Interrupt Control Register	BCN5IC/BCN6IC	XXXX X000b
000067h	UART4 Receive/ACK Interrupt Control Register	S4RIC	XXXX X000b
000068h	DMA0 Transfer Complete Interrupt Control Register	DM0IC	XXXX X000b
000069h	UART0/3 Bus Collision, START Condition/STOP Condition Detection Interrupt Control Register	BCN0IC/BCN3IC	XXXX X000b
00006Ah	DMA2 Transfer Complete Interrupt Control Register	DM2IC	XXXX X000b
00006Bh	A/D Converter 0 Convert Completion Interrupt Control Register	AD0IC	XXXX X000b
00006Ch	Timer A0 Interrupt Control Register	TA0IC	XXXX X000b
00006Dh	Intelligent I/O Interrupt Control Register 0	IIO0IC	XXXX X000b
00006Eh	Timer A2 Interrupt Control Register	TA2IC	XXXX X000b
00006Fh	Intelligent I/O Interrupt Control Register 2	IIO2IC	XXXX X000b
000070h	Timer A4 Interrupt Control Register	TA4IC	XXXX X000b
000071h	Intelligent I/O Interrupt Control Register 4	IIO4IC	XXXX X000b
000072h	UART0 Receive/ACK Interrupt Control Register	S0RIC	XXXX X000b
000073h	Intelligent I/O Interrupt Control Register 6	IIO6IC	XXXX X000b
000074h	UART1 Receive/ACK Interrupt Control Register	S1RIC	XXXX X000b
000075h	Intelligent I/O Interrupt Control Register 8	IIO8IC	XXXX X000b
000076h	Timer B1 Interrupt Control Register	TB1IC	XXXX X000b
000077h	Intelligent I/O Interrupt Control Register 10	IIO10IC	XXXX X000b
000078h	Timer B3 Interrupt Control Register	TB3IC	XXXX X000b
000079h			
00007Ah	INT5 Interrupt Control Register	INT5IC	XX00 X000b
00007Bh			
00007Ch	INT3 Interrupt Control Register	INT3IC	XX00 X000b
00007Dh			
00007Eh	INT1 Interrupt Control Register	INT1IC	XX00 X000b
00007Fh			
000080h			
000081h	UART2 Transmit/NACK Interrupt Control Register	S2TIC	XXXX X000b
000082h	UART5 Receive/ACK Interrupt Control Register	S5RIC	XXXX X000b
000083h	UART3 Transmit/NACK Interrupt Control Register	S3TIC	XXXX X000b
000084h	UART6 Receive/ACK Interrupt Control Register	S6RIC	XXXX X000b
000085h	UART4 Transmit/NACK Interrupt Control Register	S4TIC	XXXX X000b
000086h			
000087h	UART2 Bus Collision, START Condition/STOP Condition Detection Interrupt Control Register	BCN2IC	XXXX X000b

X: Undefined

Blanks are reserved. No access is allowed.

Table 4.3 SFR List (3)

Address	Register	Symbol	Reset Value
000088h	DMA1 Transfer Complete Interrupt Control Register	DM1IC	XXXX X000b
000089h	UART1/4 Bus Collision, START Condition/STOP Condition Detection Interrupt Control Register	BCN1IC/BCN4IC	XXXX X000b
00008Ah	DMA3 Transfer Complete Interrupt Control Register	DM3IC	XXXX X000b
00008Bh	Key Input Interrupt Control Register	KUPIC	XXXX X000b
00008Ch	Timer A1 Interrupt Control Register	TA1IC	XXXX X000b
00008Dh	Intelligent I/O Interrupt Control Register 1	IIO1IC	XXXX X000b
00008Eh	Timer A3 Interrupt Control Register	TA3IC	XXXX X000b
00008Fh	Intelligent I/O Interrupt Control Register 3	IIO3IC	XXXX X000b
000090h	UART0 Transmit/NACK Interrupt Control Register	S0TIC	XXXX X000b
000091h	Intelligent I/O Interrupt Control Register 5	IIO5IC	XXXX X000b
000092h	UART1 Transmit/NACK Interrupt Control Register	S1TIC	XXXX X000b
000093h	Intelligent I/O Interrupt Control Register 7	IIO7IC	XXXX X000b
000094h	Timer B0 Interrupt Control Register	TB0IC	XXXX X000b
000095h	Intelligent I/O Interrupt Control Register 9	IIO9IC	XXXX X000b
000096h	Timer B2 Interrupt Control Register	TB2IC	XXXX X000b
000097h	Intelligent I/O Interrupt Control Register 11	IIO11IC	XXXX X000b
000098h	Timer B4 Interrupt Control Register	TB4IC	XXXX X000b
000099h			
00009Ah	INT4 Interrupt Control Register	INT4IC	XX00 X000b
00009Bh			
00009Ch	INT2 Interrupt Control Register	INT2IC	XX00 X000b
00009Dh			
00009Eh	INT0 Interrupt Control Register	INT0IC	XX00 X000b
00009Fh			
0000A0h	Intelligent I/O Interrupt Request Register 0	IIO0IR	0000 0XX1b
0000A1h	Intelligent I/O Interrupt Request Register 1	IIO1IR	0000 0XX1b
0000A2h	Intelligent I/O Interrupt Request Register 2	IIO2IR	0000 0X01b
0000A3h	Intelligent I/O Interrupt Request Register 3	IIO3IR	0000 XXX1b
0000A4h	Intelligent I/O Interrupt Request Register 4	IIO4IR	000X 0XX1b
0000A5h	Intelligent I/O Interrupt Request Register 5	IIO5IR	000X 0XX1b
0000A6h	Intelligent I/O Interrupt Request Register 6	IIO6IR	000X 0XX1b
0000A7h	Intelligent I/O Interrupt Request Register 7	IIO7IR	X00X 0XX1b
0000A8h	Intelligent I/O Interrupt Request Register 8	IIO8IR	XX0X 0XX1b
0000A9h	Intelligent I/O Interrupt Request Register 9	IIO9IR	0000 0XX1b
0000AAh	Intelligent I/O Interrupt Request Register 10	IIO10IR	0000 0XX1b
0000ABh	Intelligent I/O Interrupt Request Register 11	IIO11IR	0000 0XX1b
0000ACh			
0000ADh			
0000AEh			
0000AFh			

X: Undefined

Blanks are reserved. No access is allowed.

Table 4.4 SFR List (4)

Address	Register	Symbol	Reset Value
0000B0h	Intelligent I/O Interrupt Enable Register 0	IIO0IE	00h
0000B1h	Intelligent I/O Interrupt Enable Register 1	IIO1IE	00h
0000B2h	Intelligent I/O Interrupt Enable Register 2	IIO2IE	00h
0000B3h	Intelligent I/O Interrupt Enable Register 3	IIO3IE	00h
0000B4h	Intelligent I/O Interrupt Enable Register 4	IIO4IE	00h
0000B5h	Intelligent I/O Interrupt Enable Register 5	IIO5IE	00h
0000B6h	Intelligent I/O Interrupt Enable Register 6	IIO6IE	00h
0000B7h	Intelligent I/O Interrupt Enable Register 7	IIO7IE	00h
0000B8h	Intelligent I/O Interrupt Enable Register 8	IIO8IE	00h
0000B9h	Intelligent I/O Interrupt Enable Register 9	IIO9IE	00h
0000BAh	Intelligent I/O Interrupt Enable Register 10	IIO10IE	00h
0000BBh	Intelligent I/O Interrupt Enable Register 11	IIO11IE	00h
0000BCh			
0000BDh			
0000BEh			
0000BFh			
0000C0h			
0000C1h			
0000C2h			
0000C3h			
0000C4h			
0000C5h			
0000C6h			
0000C7h			
0000C8h			
0000C9h			
0000CAh			
0000CBh			
0000CCh			
0000CDh			
0000CEh			
0000CFh			
0000D0h			
0000D1h			
0000D2h			
0000D3h			
0000D4h			
0000D5h			
0000D6h			
0000D7h			
0000D8h			
0000D9h			
0000DAh			
0000DBh			
0000DCh			
0000DDh	UART7 Transmit Interrupt Control Register	S7TIC	XXXX X00b
0000DEh			
0000DFh	UART8 Transmit Interrupt Control Register	S8TIC	XXXX X00b

X: Undefined

Blanks are reserved. No access is allowed.

Table 4.5 SFR List (5)

Address	Register	Symbol	Reset Value
0000E0h			
0000E1h			
0000E2h			
0000E3h			
0000E4h			
0000E5h			
0000E6h			
0000E7h			
0000E8h			
0000E9h			
0000EAh			
0000EBh			
0000ECh			
0000EDh			
0000EEh			
0000EFh			
0000F0h			
0000F1h			
0000F2h			
0000F3h			
0000F4h			
0000F5h			
0000F6h			
0000F7h			
0000F8h			
0000F9h			
000FAh			
000FBh			
000FCh			
000FDh	UART7 Receive Interrupt Control Register	S7RIC	XXXX X000b
000FEh			
000FFh	UART8 Receive Interrupt Control Register	S8RIC	XXXX X000b
000100h	Group 1 Time Measurement/Waveform Generation Register 0	G1TM0/G1PO0	XXXXh
000101h			
000102h	Group 1 Time Measurement/Waveform Generation Register 1	G1TM1/G1PO1	XXXXh
000103h			
000104h	Group 1 Time Measurement/Waveform Generation Register 2	G1TM2/G1PO2	XXXXh
000105h			
000106h	Group 1 Time Measurement/Waveform Generation Register 3	G1TM3/G1PO3	XXXXh
000107h			

X: Undefined

Blanks are reserved. No access is allowed.

Table 4.6 SFR List (6)

Address	Register	Symbol	Reset Value
000108h	Group 1 Time Measurement/Waveform Generation Register 4	G1TM4/G1PO4	XXXXh
000109h			
00010Ah	Group 1 Time Measurement/Waveform Generation Register 5	G1TM5/G1PO5	XXXXh
00010Bh			
00010Ch	Group 1 Time Measurement/Waveform Generation Register 6	G1TM6/G1PO6	XXXXh
00010Dh			
00010Eh	Group 1 Time Measurement/Waveform Generation Register 7	G1TM7/G1PO7	XXXXh
00010Fh			
000110h	Group 1 Waveform Generation Control Register 0	G1POCR0	0000 X000b
000111h	Group 1 Waveform Generation Control Register 1	G1POCR1	0X00 X000b
000112h	Group 1 Waveform Generation Control Register 2	G1POCR2	0X00 X000b
000113h	Group 1 Waveform Generation Control Register 3	G1POCR3	0X00 X000b
000114h	Group 1 Waveform Generation Control Register 4	G1POCR4	0X00 X000b
000115h	Group 1 Waveform Generation Control Register 5	G1POCR5	0X00 X000b
000116h	Group 1 Waveform Generation Control Register 6	G1POCR6	0X00 X000b
000117h	Group 1 Waveform Generation Control Register 7	G1POCR7	0X00 X000b
000118h	Group 1 Time Measurement Control Register 0	G1TMCR0	00h
000119h	Group 1 Time Measurement Control Register 1	G1TMCR1	00h
00011Ah	Group 1 Time Measurement Control Register 2	G1TMCR2	00h
00011Bh	Group 1 Time Measurement Control Register 3	G1TMCR3	00h
00011Ch	Group 1 Time Measurement Control Register 4	G1TMCR4	00h
00011Dh	Group 1 Time Measurement Control Register 5	G1TMCR5	00h
00011Eh	Group 1 Time Measurement Control Register 6	G1TMCR6	00h
00011Fh	Group 1 Time Measurement Control Register 7	G1TMCR7	00h
000120h	Group 1 Base Timer Register	G1BT	XXXXh
000121h			
000122h	Group 1 Base Timer Control Register 0	G1BCR0	0000 0000b
000123h	Group 1 Base Timer Control Register 1	G1BCR1	0000 0000b
000124h	Group 1 Time Measurement Prescaler Register 6	G1TPR6	00h
000125h	Group 1 Time Measurement Prescaler Register 7	G1TPR7	00h
000126h	Group 1 Function Enable Register	G1FE	00h
000127h	Group 1 Function Select Register	G1FS	00h
000128h			
000129h			
00012Ah			
00012Bh			
00012Ch			
00012Dh			
00012Eh			
00012Fh			
000130h to 00013Fh			

X: Undefined

Blanks are reserved. No access is allowed.

Table 4.7 SFR List (7)

Address	Register	Symbol	Reset Value
000140h	Group 2 Waveform Generation Register 0	G2PO0	XXXXh
000141h			
000142h	Group 2 Waveform Generation Register 1	G2PO1	XXXXh
000143h			
000144h	Group 2 Waveform Generation Register 2	G2PO2	XXXXh
000145h			
000146h	Group 2 Waveform Generation Register 3	G2PO3	XXXXh
000147h			
000148h	Group 2 Waveform Generation Register 4	G2PO4	XXXXh
000149h			
00014Ah	Group 2 Waveform Generation Register 5	G2PO5	XXXXh
00014Bh			
00014Ch	Group 2 Waveform Generation Register 6	G2PO6	XXXXh
00014Dh			
00014Eh	Group 2 Waveform Generation Register 7	G2PO7	XXXXh
00014Fh			
000150h	Group 2 Waveform Generation Control Register 0	G2POCR0	0000 0000b
000151h	Group 2 Waveform Generation Control Register 1	G2POCR1	0000 0000b
000152h	Group 2 Waveform Generation Control Register 2	G2POCR2	0000 0000b
000153h	Group 2 Waveform Generation Control Register 3	G2POCR3	0000 0000b
000154h	Group 2 Waveform Generation Control Register 4	G2POCR4	0000 0000b
000155h	Group 2 Waveform Generation Control Register 5	G2POCR5	0000 0000b
000156h	Group 2 Waveform Generation Control Register 6	G2POCR6	0000 0000b
000157h	Group 2 Waveform Generation Control Register 7	G2POCR7	0000 0000b
000158h			
000159h			
00015Ah			
00015Bh			
00015Ch			
00015Dh			
00015Eh			
00015Fh			
000160h	Group 2 Base Timer Register	G2BT	XXXXh
000161h			
000162h	Group 2 Base Timer Control Register 0	G2BCR0	0000 0000b
000163h	Group 2 Base Timer Control Register 1	G2BCR1	0000 0000b
000164h	Base Timer Start Register	BTSR	XXXX 0000b
000165h			
000166h	Group 2 Function Enable Register	G2FE	00h
000167h	Group 2 RTP Output Buffer Register	G2RTP	00h
000168h			
000169h			
00016Ah	Group 2 Serial Interface Mode Register	G2MR	00XX X000b
00016Bh	Group 2 Serial Interface Control Register	G2CR	0000 X110b
00016Ch	Group 2 SI/O Transmit Buffer Register	G2TB	XXXXh
00016Dh			
00016Eh	Group 2 SI/O Receive Buffer Register	G2RB	XXXXh
00016Fh			

X: Undefined

Blanks are reserved. No access is allowed.

Table 4.8 SFR List (8)

Address	Register	Symbol	Reset Value
000170h	Group 2 IEBus Address Register	IEAR	XXXXh
000171h			
000172h	Group 2 IEBus Control Register	IECR	00XX X000b
000173h	Group 2 IEBus Transmit Interrupt Source Detect Register	IETIF	XXX0 0000b
000174h	Group 2 IEBus Receive Interrupt Source Detect Register	IERIF	XXX0 0000b
000175h			
000176h			
000177h			
000178h			
000179h			
00017Ah			
00017Bh			
00017Ch			
00017Dh			
00017Eh			
00017Fh			
000180h	Group 0 Time Measurement/Waveform Generation Register 0	G0TM0/G0PO0	XXXXh
000181h			
000182h	Group 0 Time Measurement/Waveform Generation Register 1	G0TM1/G0PO1	XXXXh
000183h			
000184h	Group 0 Time Measurement/Waveform Generation Register 2	G0TM2/G0PO2	XXXXh
000185h			
000186h	Group 0 Time Measurement/Waveform Generation Register 3	G0TM3/G0PO3	XXXXh
000187h			
000188h	Group 0 Time Measurement/Waveform Generation Register 4	G0TM4/G0PO4	XXXXh
000189h			
00018Ah	Group 0 Time Measurement/Waveform Generation Register 5	G0TM5/G0PO5	XXXXh
00018Bh			
00018Ch	Group 0 Time Measurement/Waveform Generation Register 6	G0TM6/G0PO6	XXXXh
00018Dh			
00018Eh	Group 0 Time Measurement/Waveform Generation Register 7	G0TM7/G0PO7	XXXXh
00018Fh			
000190h	Group 0 Waveform Generation Control Register 0	G0POCR0	0000 X000b
000191h	Group 0 Waveform Generation Control Register 1	G0POCR1	0X00 X000b
000192h	Group 0 Waveform Generation Control Register 2	G0POCR2	0X00 X000b
000193h	Group 0 Waveform Generation Control Register 3	G0POCR3	0X00 X000b
000194h	Group 0 Waveform Generation Control Register 4	G0POCR4	0X00 X000b
000195h	Group 0 Waveform Generation Control Register 5	G0POCR5	0X00 X000b
000196h	Group 0 Waveform Generation Control Register 6	G0POCR6	0X00 X000b
000197h	Group 0 Waveform Generation Control Register 7	G0POCR7	0X00 X000b
000198h	Group 0 Time Measurement Control Register 0	G0TMCR0	00h
000199h	Group 0 Time Measurement Control Register 1	G0TMCR1	00h
00019Ah	Group 0 Time Measurement Control Register 2	G0TMCR2	00h
00019Bh	Group 0 Time Measurement Control Register 3	G0TMCR3	00h
00019Ch	Group 0 Time Measurement Control Register 4	G0TMCR4	00h
00019Dh	Group 0 Time Measurement Control Register 5	G0TMCR5	00h
00019Eh	Group 0 Time Measurement Control Register 6	G0TMCR6	00h
00019Fh	Group 0 Time Measurement Control Register 7	G0TMCR7	00h

X: Undefined

Blanks are reserved. No access is allowed.

Table 4.9 SFR List (9)

Address	Register	Symbol	Reset Value
0001A0h	Group 0 Base Timer Register	G0BT	XXXXh
0001A1h			
0001A2h	Group 0 Base Timer Control Register 0	G0BCR0	0000 0000b
0001A3h	Group 0 Base Timer Control Register 1	G0BCR1	0000 0000b
0001A4h	Group 0 Time Measurement Prescaler Register 6	G0TPR6	00h
0001A5h	Group 0 Time Measurement Prescaler Register 7	G0TPR7	00h
0001A6h	Group 0 Function Enable Register	G0FE	00h
0001A7h	Group 0 Function Select Register	G0FS	00h
0001A8h			
0001A9h			
0001AAh			
0001ABh			
0001ACh			
0001ADh			
0001AEh			
0001AFh			
0001B0h			
0001B1h			
0001B2h			
0001B3h			
0001B4h			
0001B5h			
0001B6h			
0001B7h			
0001B8h			
0001B9h			
0001BAh			
0001BBh			
0001BCh			
0001BDh			
0001BEh			
0001BFh			
0001C0h			
0001C1h			
0001C2h			
0001C3h			
0001C4h	UART5 Special Mode Register 4	U5SMR4	00h
0001C5h	UART5 Special Mode Register 3	U5SMR3	00h
0001C6h	UART5 Special Mode Register 2	U5SMR2	00h
0001C7h	UART5 Special Mode Register	U5SMR	00h
0001C8h	UART5 Transmit/Receive Mode Register	U5MR	00h
0001C9h	UART5 Bit Rate Register	U5BRG	XXh
0001CAh	UART5 Transmit Buffer Register	U5TB	XXXXh
0001CBh			
0001CCh	UART5 Transmit/Receive Control Register 0	U5C0	0000 1000b
0001CDh	UART5 Transmit/Receive Control Register 1	U5C1	0000 0010b
0001CEh	UART5 Receive Buffer Register	U5RB	XXXXh
0001CFh			

X: Undefined

Blanks are reserved. No access is allowed.

Table 4.10 SFR List (10)

Address	Register	Symbol	Reset Value
0001D0h			
0001D1h			
0001D2h			
0001D3h			
0001D4h	UART6 Special Mode Register 4	U6SMR4	00h
0001D5h	UART6 Special Mode Register 3	U6SMR3	00h
0001D6h	UART6 Special Mode Register 2	U6SMR2	00h
0001D7h	UART6 Special Mode Register	U6SMR	00h
0001D8h	UART6 Transmit/Receive Mode Register	U6MR	00h
0001D9h	UART6 Bit Rate Register	U6BRG	XXh
0001DAh	UART6 Transmit Buffer Register	U6TB	XXXXh
0001DBh			
0001DCh	UART6 Transmit/Receive Control Register 0	U6C0	0000 1000b
0001DDh	UART6 Transmit/Receive Control Register 1	U6C1	0000 0010b
0001DEh	UART6 Receive Buffer Register	U6RB	XXXXh
0001DFh			
0001E0h	UART7 Transmit/Receive Mode Register	U7MR	00h
0001E1h	UART7 Bit Rate Register	U7BRG	XXh
0001E2h	UART7 Transmit Buffer Register	U7TB	XXXXh
0001E3h			
0001E4h	UART7 Transmit/Receive Control Register 0	U7C0	00X0 1000b
0001E5h	UART7 Transmit/Receive Control Register 1	U7C1	XXXX 0010b
0001E6h	UART7 Receive Buffer Register	U7RB	XXXXh
0001E7h			
0001E8h	UART8 Transmit/Receive Mode Register	U8MR	00h
0001E9h	UART8 Bit Rate Register	U8BRG	XXh
0001EAh	UART8 Transmit Buffer Register	U8TB	XXXXh
0001EBh			
0001ECh	UART8 Transmit/Receive Control Register 0	U8C0	00X0 1000b
0001EDh	UART8 Transmit/Receive Control Register 1	U8C1	XXXX 0010b
0001EEh	UART8 Receive Buffer Register	U8RB	XXXXh
0001EFh			
0001F0h	UART7, UART8 Transmit/Receive Control Register 2	U78CON	X000 0000b
0001F1h			
0001F2h			
0001F3h			
0001F4h			
0001F5h			
0001F6h			
0001F7h			
0001F8h			
0001F9h			
0001FAh			
0001FBh			
0001FCh			
0001FDh			
0001FEh			
0001FFh			

X: Undefined

Blanks are reserved. No access is allowed.

Table 4.11 SFR List (11)

Address	Register	Symbol	Reset Value
000200h to 0002BFh			
0002C0h 0002C1h	X0 Register/Y0 Register	X0R/Y0R	XXXXh
0002C2h 0002C3h	X1 Register/Y1 Register	X1R/Y1R	XXXXh
0002C4h 0002C5h	X2 Register/Y2 Register	X2R/Y2R	XXXXh
0002C6h 0002C7h	X3 Register/Y3 Register	X3R/Y3R	XXXXh
0002C8h 0002C9h	X4 Register/Y4 Register	X4R/Y4R	XXXXh
0002CAh 0002CBh	X5 Register/Y5 Register	X5R/Y5R	XXXXh
0002CCh 0002CDh	X6 Register/Y6 Register	X6R/Y6R	XXXXh
0002CEh 0002CFh	X7 Register/Y7 Register	X7R/Y7R	XXXXh
0002D0h 0002D1h	X8 Register/Y8 Register	X8R/Y8R	XXXXh
0002D2h 0002D3h	X9 Register/Y9 Register	X9R/Y9R	XXXXh
0002D4h 0002D5h	X10 Register/Y10 Register	X10R/Y10R	XXXXh
0002D6h 0002D7h	X11 Register/Y11 Register	X11R/Y11R	XXXXh
0002D8h 0002D9h	X12 Register/Y12 Register	X12R/Y12R	XXXXh
0002DAh 0002DBh	X13 Register/Y13 Register	X13R/Y13R	XXXXh
0002DCh 0002DDh	X14 Register/Y14 Register	X14R/Y14R	XXXXh
0002DEh 0002DFh	X15 Register/Y15 Register	X15R/Y15R	XXXXh
0002E0h 0002E1h	X-Y Control Register	XYC	XXXX XX00b
0002E2h 0002E3h			
0002E4h	UART1 Special Mode Register 4	U1SMR4	00h
0002E5h	UART1 Special Mode Register 3	U1SMR3	00h
0002E6h	UART1 Special Mode Register 2	U1SMR2	00h
0002E7h	UART1 Special Mode Register	U1SMR	00h
0002E8h	UART1 Transmit/Receive Mode Register	U1MR	00h
0002E9h	UART1 Bit Rate Register	U1BRG	XXh
0002EAh 0002EBh	UART1 Transmit Buffer Register	U1TB	XXXXh
0002ECh	UART1 Transmit/Receive Control Register 0	U1C0	0000 1000b
0002EDh	UART1 Transmit/Receive Control Register 1	U1C1	0000 0010b
0002EEh 0002EFh	UART1 Receive Buffer Register	U1RB	XXXXh

X: Undefined

Blanks are reserved. No access is allowed.

Table 4.12 SFR List (12)

Address	Register	Symbol	Reset Value
0002F0h			
0002F1h			
0002F2h			
0002F3h			
0002F4h	UART4 Special Mode Register 4	U4SMR4	00h
0002F5h	UART4 Special Mode Register 3	U4SMR3	00h
0002F6h	UART4 Special Mode Register 2	U4SMR2	00h
0002F7h	UART4 Special Mode Register	U4SMR	00h
0002F8h	UART4 Transmit/Receive Mode Register	U4MR	00h
0002F9h	UART4 Bit Rate Register	U4BRG	XXh
0002FAh	UART4 Transmit Buffer Register	U4TB	XXXXh
0002FBh			
0002FCh	UART4 Transmit/Receive Control Register 0	U4C0	0000 1000b
0002FDh	UART4 Transmit/Receive Control Register 1	U4C1	0000 0010b
0002FEh	UART4 Receive Buffer Register	U4RB	XXXXh
0002FFh			
000300h	Count Start Register for Timers B3, B4, and B5	TBSR	000X XXXXb
000301h			
000302h	Timer A1-1 Register	TA11	XXXXh
000303h			
000304h	Timer A2-1 Register	TA21	XXXXh
000305h			
000306h	Timer A4-1 Register	TA41	XXXXh
000307h			
000308h	Three-phase PWM Control Register 0	INVC0	00h
000309h	Three-phase PWM Control Register 1	INVC1	00h
00030Ah	Three-phase Output Buffer Register 0	IDB0	XX11 1111b
00030Bh	Three-phase Output Buffer Register 1	IDB1	XX11 1111b
00030Ch	Dead Time Timer	DTT	XXh
00030Dh	Timer B2 Interrupt Generating Frequency Set Counter	ICTB2	XXh
00030Eh			
00030Fh			
000310h	Timer B3 Register	TB3	XXXXh
000311h			
000312h	Timer B4 Register	TB4	XXXXh
000313h			
000314h	Timer B5 Register	TB5	XXXXh
000315h			
000316h			
000317h			
000318h			
000319h			
00031Ah			
00031Bh	Timer B3 Mode Register	TB3MR	00XX 0000b
00031Ch	Timer B4 Mode Register	TB4MR	00XX 0000b
00031Dh	Timer B5 Mode Register	TB5MR	00XX 0000b
00031Eh			
00031Fh			

X: Undefined

Blanks are reserved. No access is allowed.

Table 4.13 SFR List (13)

Address	Register	Symbol	Reset Value
000320h			
000321h			
000322h			
000323h			
000324h	UART3 Special Mode Register 4	U3SMR4	00h
000325h	UART3 Special Mode Register 3	U3SMR3	00h
000326h	UART3 Special Mode Register 2	U3SMR2	00h
000327h	UART3 Special Mode Register	U3SMR	00h
000328h	UART3 Transmit/Receive Mode Register	U3MR	00h
000329h	UART3 Bit Rate Register	U3BRG	XXh
00032Ah	UART3 Transmit Buffer Register	U3TB	XXXXh
00032Bh			
00032Ch	UART3 Transmit/Receive Control Register 0	U3C0	0000 1000b
00032Dh	UART3 Transmit/Receive Control Register 1	U3C1	0000 0010b
00032Eh	UART3 Receive Buffer Register	U3RB	XXXXh
00032Fh			
000330h			
000331h			
000332h			
000333h			
000334h	UART2 Special Mode Register 4	U2SMR4	00h
000335h	UART2 Special Mode Register 3	U2SMR3	00h
000336h	UART2 Special Mode Register 2	U2SMR2	00h
000337h	UART2 Special Mode Register	U2SMR	00h
000338h	UART2 Transmit/Receive Mode Register	U2MR	00h
000339h	UART2 Bit Rate Register	U2BRG	XXh
00033Ah	UART2 Transmit Buffer Register	U2TB	XXXXh
00033Bh			
00033Ch	UART2 Transmit/Receive Control Register 0	U2C0	0000 1000b
00033Dh	UART2 Transmit/Receive Control Register 1	U2C1	0000 0010b
00033Eh	UART2 Receive Buffer Register	U2RB	XXXXh
00033Fh			
000340h	Count Start Register	TABSR	0000 0000b
000341h	Clock Prescaler Reset Register	CPSRF	0XXX XXXXb
000342h	One-shot Start Register	ONSF	0000 0000b
000343h	Trigger Select Register	TRGSR	0000 0000b
000344h	Increment/Decrement Select Register	UDF	0000 0000b
000345h			
000346h	Timer A0 Register	TA0	XXXXh
000347h			
000348h	Timer A1 Register	TA1	XXXXh
000349h			
00034Ah	Timer A2 Register	TA2	XXXXh
00034Bh			
00034Ch	Timer A3 Register	TA3	XXXXh
00034Dh			
00034Eh	Timer A4 Register	TA4	XXXXh
00034Fh			

X: Undefined

Blanks are reserved. No access is allowed.

Table 4.14 SFR List (14)

Address	Register	Symbol	Reset Value
000350h	Timer B0 Register	TB0	XXXXh
000351h			
000352h	Timer B1 Register	TB1	XXXXh
000353h			
000354h	Timer B2 Register	TB2	XXXXh
000355h			
000356h	Timer A0 Mode Register	TA0MR	0000 0000b
000357h	Timer A1 Mode Register	TA1MR	0000 0000b
000358h	Timer A2 Mode Register	TA2MR	0000 0000b
000359h	Timer A3 Mode Register	TA3MR	0000 0000b
00035Ah	Timer A4 Mode Register	TA4MR	0000 0000b
00035Bh	Timer B0 Mode Register	TB0MR	00XX 0000b
00035Ch	Timer B1 Mode Register	TB1MR	00XX 0000b
00035Dh	Timer B2 Mode Register	TB2MR	00XX 0000b
00035Eh	Timer B2 Special Mode Register	TB2SC	XXXX XXX0b
00035Fh	Count Source Prescaler Register	TCSPR	0000 0000b
000360h			
000361h			
000362h			
000363h			
000364h	UART0 Special Mode Register 4	U0SMR4	00h
000365h	UART0 Special Mode Register 3	U0SMR3	00h
000366h	UART0 Special Mode Register 2	U0SMR2	00h
000367h	UART0 Special Mode Register	U0SMR	00h
000368h	UART0 Transmit/Receive Mode Register	U0MR	00h
000369h	UART0 Bit Rate Register	U0BRG	XXh
00036Ah	UART0 Transmit Buffer Register	U0TB	XXXXh
00036Bh			
00036Ch	UART0 Transmit/Receive Control Register 0	U0C0	0000 1000b
00036Dh	UART0 Transmit/Receive Control Register 1	U0C1	0000 0010b
00036Eh	UART0 Receive Buffer Register	U0RB	XXXXh
00036Fh			
000370h			
000371h			
000372h			
000373h			
000374h			
000375h			
000376h			
000377h			
000378h			
000379h			
00037Ah			
00037Bh			
00037Ch	CRC Data Register	CRCD	XXXXh
00037Dh			
00037Eh	CRC Input Register	CRCIN	XXh
00037Fh			

X: Undefined

Blanks are reserved. No access is allowed.

Table 4.15 SFR List (15)

Address	Register	Symbol	Reset Value
000380h	A/D0 Register 0	AD00	00XXh
000381h			
000382h	A/D0 Register 1	AD01	00XXh
000383h			
000384h	A/D0 Register 2	AD02	00XXh
000385h			
000386h	A/D0 Register 3	AD03	00XXh
000387h			
000388h	A/D0 Register 4	AD04	00XXh
000389h			
00038Ah	A/D0 Register 5	AD05	00XXh
00038Bh			
00038Ch	A/D0 Register 6	AD06	00XXh
00038Dh			
00038Eh	A/D0 Register 7	AD07	00XXh
00038Fh			
000390h			
000391h			
000392h	A/D0 Control Register 4	AD0CON4	XXXX 00XXb
000393h			
000394h	A/D0 Control Register 2	AD0CON2	XX0X X000b
000395h	A/D0 Control Register 3	AD0CON3	XXXX X000b
000396h	A/D0 Control Register 0	AD0CON0	00h
000397h	A/D0 Control Register 1	AD0CON1	00h
000398h	D/A Register 0	DA0	XXh
000399h			
00039Ah	D/A Register 1	DA1	XXh
00039Bh			
00039Ch	D/A Control Register	DACON	XXXX XX00b
00039Dh			
00039Eh			
00039Fh			
0003A0h			
0003A1h			
0003A2h			
0003A3h			
0003A4h			
0003A5h			
0003A6h			
0003A7h			
0003A8h			
0003A9h			
0003AAh			
0003ABh			
0003ACh			
0003ADh			
0003AEh			
0003AFh			

X: Undefined

Blanks are reserved. No access is allowed.

Table 4.16 SFR List (16)

Address	Register	Symbol	Reset Value
0003B0h			
0003B1h			
0003B2h			
0003B3h			
0003B4h			
0003B5h			
0003B6h			
0003B7h			
0003B8h			
0003B9h			
0003BAh			
0003BBh			
0003BCh			
0003BDh			
0003BEh			
0003BFh			
0003C0h	Port P0 Register	P0	XXh
0003C1h	Port P1 Register	P1	XXh
0003C2h	Port P0 Direction Register	PD0	0000 0000b
0003C3h	Port P1 Direction Register	PD1	0000 0000b
0003C4h	Port P2 Register	P2	XXh
0003C5h	Port P3 Register	P3	XXh
0003C6h	Port P2 Direction Register	PD2	0000 0000b
0003C7h	Port P3 Direction Register	PD3	0000 0000b
0003C8h	Port P4 Register	P4	XXh
0003C9h	Port P5 Register	P5	XXh
0003CAh	Port P4 Direction Register	PD4	0000 0000b
0003CBh	Port P5 Direction Register	PD5	0000 0000b
0003CCh	Port P6 Register	P6	XXh
0003CDh	Port P7 Register	P7	XXh
0003CEh	Port P6 Direction Register	PD6	0000 0000b
0003CFh	Port P7 Direction Register	PD7	0000 0000b
0003D0h	Port P8 Register	P8	XXh
0003D1h	Port P9 Register	P9	XXh
0003D2h	Port P8 Direction Register	PD8	00X0 0000b
0003D3h	Port P9 Direction Register	PD9	0000 0000b
0003D4h	Port P10 Register	P10	XXh
0003D5h			
0003D6h	Port P10 Direction Register	PD10	0000 0000b
0003D7h			
0003D8h			
0003D9h			
0003DAh			
0003DBh			
0003DCh			
0003DDh			
0003DEh			
0003DFh			

X: Undefined

Blanks are reserved. No access is allowed.

Table 4.17 SFR List (17)

Address	Register	Symbol	Reset Value
0003E0h			
0003E1h			
0003E2h			
0003E3h			
0003E4h			
0003E5h			
0003E6h			
0003E7h			
0003E8h			
0003E9h			
0003EAh			
0003EBh			
0003ECh			
0003EDh			
0003EEh			
0003EFh			
0003F0h	Pull-up Control Register 0	PUR0	0000 0000b
0003F1h	Pull-up Control Register 1	PUR1	XXXX 0000b
0003F2h	Pull-up Control Register 2	PUR2	0000 0000b
0003F3h	Pull-up Control Register 3	PUR3	XXXX XX00b
0003F4h			
0003F5h			
0003F6h			
0003F7h			
0003F8h			
0003F9h			
0003FAh			
0003FBh			
0003FCh			
0003FDh			
0003FEh			
0003FFh	Port Control Register	PCR	XXXX XXX0b

X: Undefined

Blanks are reserved. No access is allowed.

Table 4.18 SFR List (18)

Address	Register	Symbol	Reset Value
040000h	Flash Memory Control Register 0	FMR0	0X01 XX00b
040001h	Flash Memory Status Register 0	FMSR0	1000 0000b
040002h			
040003h			
040004h			
040005h			
040006h			
040007h			
040008h	Flash Register Protection Unlock Register 0	FPR0	00h
040009h	Flash Memory Control Register 1	FMR1	0000 0010b
04000Ah	Block Protect Bit Monitor Register 0	FBPM0	??X? ???b (1)
04000Bh	Block Protect Bit Monitor Register 1	FBPM1	XXX? ???b (1)
04000Ch			
04000Dh			
04000Eh			
04000Fh			
040010h			
040011h			
040012h			
040013h			
040014h			
040015h			
040016h			
040017h			
040018h			
040019h			
04001Ah			
04001Bh			
04001Ch			
04001Dh			
04001Eh			
04001Fh			
040020h	PLL Control Register 0	PLC0	0000 0001b
040021h	PLL Control Register 1	PLC1	0001 1111b
040022h			
040023h			
040024h			
040025h			
040026h			
040027h			
040028h			
040029h			
04002Ah			
04002Bh			
04002Ch			
04002Dh			
04002Eh			
04002Fh			

X: Undefined

Blanks are reserved. No access is allowed.

Note:

1. The reset value reflects the value of the protect bit for each block in the flash memory.

Table 4.19 SFR List (19)

Address	Register	Symbol	Reset Value
040030h to 04003Fh			
040040h			
040041h			
040042h			
040043h			
040044h	Processor Mode Register 0 ⁽¹⁾	PM0	1000 0000b (CNVSS pin = Low) 0000 0011b (CNVSS pin = High)
040045h			
040046h	System Clock Control Register 0	CM0	0000 1000b
040047h	System Clock Control Register 1	CM1	0010 0000b
040048h	Processor Mode Register 3	PM3	00h
040049h			
04004Ah	Protect Register	PRCR	XXXX X000b
04004Bh			
04004Ch	Protect Register 3	PRCR3	0000 0000b
04004Dh	Oscillator Stop Detection Register	CM2	00h
04004Eh			
04004Fh			
040050h			
040051h			
040052h			
040053h	Processor Mode Register 2	PM2	00h
040054h	Chip Select Output Pin Setting Register 0	CSOP0	1000 XXXXb
040055h	Chip Select Output Pin Setting Register 1	CSOP1	01X0 XXXXb
040056h			
040057h			
040058h			
040059h			
04005Ah	Low Speed Mode Clock Control Register	CM3	XXXX XX00b
04005Bh			
04005Ch			
04005Dh			
04005Eh			
04005Fh			
040060h	Voltage Regulator Control Register	VRRCR	0000 0000b
040061h			
040062h	Low Voltage Detector Control Register	LVDC	0000 XX00b
040063h			
040064h	Detection Voltage Configuration Register	DVCR	0000 XXXXb
040065h			
040066h			
040067h			
040068h to 040093h			

X: Undefined

Blanks are reserved. No access is allowed.

Note:

1. The value in the PM0 register is retained even after a software reset or watchdog timer reset.

Table 4.20 SFR List (20)

Address	Register	Symbol	Reset Value
040094h			
040095h			
040096h			
040097h	Three-phase Output Buffer Control Register	IOBC	0XXX XXXXb
040098h	Input Function Select Register 0	IFS0	X000 0000b ⁽¹⁾
040099h			
04009Ah	Input Function Select Register 2	IFS2	0000 00X0b ⁽²⁾
04009Bh	Input Function Select Register 3	IFS3	XXXX XX00b
04009Ch			
04009Dh			
04009Eh			
04009Fh	Input Function Select Register 7 ⁽³⁾	IFS7	XXXX XX0Xb
0400A0h	Port P0_0 Function Select Register	P0_0S	0XXX X000b
0400A1h	Port P1_0 Function Select Register	P1_0S	XXXX X000b
0400A2h	Port P0_1 Function Select Register	P0_1S	0XXX X000b
0400A3h	Port P1_1 Function Select Register	P1_1S	XXXX X000b
0400A4h	Port P0_2 Function Select Register	P0_2S	0XXX X000b
0400A5h	Port P1_2 Function Select Register	P1_2S	XXXX X000b
0400A6h	Port P0_3 Function Select Register	P0_3S	0XXX X000b
0400A7h	Port P1_3 Function Select Register	P1_3S	XXXX X000b
0400A8h	Port P0_4 Function Select Register	P0_4S	0XXX X000b
0400A9h	Port P1_4 Function Select Register	P1_4S	XXXX X000b
0400AAh	Port P0_5 Function Select Register	P0_5S	0XXX X000b
0400ABh	Port P1_5 Function Select Register	P1_5S	XXXX X000b
0400ACh	Port P0_6 Function Select Register	P0_6S	0XXX X000b
0400ADh	Port P1_6 Function Select Register	P1_6S	XXXX X000b
0400AEh	Port P0_7 Function Select Register	P0_7S	0XXX X000b
0400AFh	Port P1_7 Function Select Register	P1_7S	XXXX X000b
0400B0h	Port P2_0 Function Select Register	P2_0S	0XXX X000b
0400B1h	Port P3_0 Function Select Register	P3_0S	XXXX X000b
0400B2h	Port P2_1 Function Select Register	P2_1S	0XXX X000b
0400B3h	Port P3_1 Function Select Register	P3_1S	XXXX X000b
0400B4h	Port P2_2 Function Select Register	P2_2S	0XXX X000b
0400B5h	Port P3_2 Function Select Register	P3_2S	XXXX X000b
0400B6h	Port P2_3 Function Select Register	P2_3S	0XXX X000b
0400B7h	Port P3_3 Function Select Register	P3_3S	XXXX X000b
0400B8h	Port P2_4 Function Select Register	P2_4S	0XXX X000b
0400B9h	Port P3_4 Function Select Register	P3_4S	XXXX X000b
0400BAh	Port P2_5 Function Select Register	P2_5S	0XXX X000b
0400BBh	Port P3_5 Function Select Register	P3_5S	XXXX X000b
0400BCh	Port P2_6 Function Select Register	P2_6S	0XXX X000b
0400BDh	Port P3_6 Function Select Register	P3_6S	XXXX X000b
0400BEh	Port P2_7 Function Select Register	P2_7S	0XXX X000b
0400BFh	Port P3_7 Function Select Register	P3_7S	XXXX X000b

X: Undefined

Blanks are reserved. No access is allowed.

Notes:

1. The reset value is 0000 0000b in the 64-pin package.
2. The reset value is 0000 000Xb in the 64-pin package.
3. This register is provided for the 64-pin package only. No access is allowed in the 100-pin package.

Table 4.21 SFR List (21)

Address	Register	Symbol	Reset Value
0400C0h	Port P4_0 Function Select Register	P4_0S	XXXX X000b
0400C1h	Port P5_0 Function Select Register	P5_0S	XXXX X000b
0400C2h	Port P4_1 Function Select Register	P4_1S	XXXX X000b
0400C3h	Port P5_1 Function Select Register	P5_1S	XXXX X000b
0400C4h	Port P4_2 Function Select Register	P4_2S	XXXX X000b
0400C5h	Port P5_2 Function Select Register	P5_2S	XXXX X000b
0400C6h	Port P4_3 Function Select Register	P4_3S	XXXX X000b
0400C7h	Port P5_3 Function Select Register	P5_3S	XXXX X000b
0400C8h	Port P4_4 Function Select Register	P4_4S	XXXX X000b
0400C9h	Port P5_4 Function Select Register	P5_4S	XXXX X000b
0400CAh	Port P4_5 Function Select Register	P4_5S	XXXX X000b
0400CBh	Port P5_5 Function Select Register	P5_5S	XXXX X000b
0400CCh	Port P4_6 Function Select Register	P4_6S	XXXX X000b
0400CDh	Port P5_6 Function Select Register	P5_6S	XXXX X000b
0400CEh	Port P4_7 Function Select Register	P4_7S	XXXX X000b
0400CFh	Port P5_7 Function Select Register	P5_7S	XXXX X000b
0400D0h	Port P6_0 Function Select Register	P6_0S	XXXX X000b
0400D1h	Port P7_0 Function Select Register	P7_0S	XXXX X000b
0400D2h	Port P6_1 Function Select Register	P6_1S	XXXX X000b
0400D3h	Port P7_1 Function Select Register	P7_1S	XXXX X000b
0400D4h	Port P6_2 Function Select Register	P6_2S	XXXX X000b
0400D5h	Port P7_2 Function Select Register	P7_2S	XXXX X000b
0400D6h	Port P6_3 Function Select Register	P6_3S	XXXX X000b
0400D7h	Port P7_3 Function Select Register	P7_3S	XXXX X000b
0400D8h	Port P6_4 Function Select Register	P6_4S	XXXX X000b
0400D9h	Port P7_4 Function Select Register	P7_4S	XXXX X000b
0400DAh	Port P6_5 Function Select Register	P6_5S	XXXX X000b
0400DBh	Port P7_5 Function Select Register	P7_5S	XXXX X000b
0400DCh	Port P6_6 Function Select Register	P6_6S	XXXX X000b
0400DDh	Port P7_6 Function Select Register	P7_6S	XXXX X000b
0400DEh	Port P6_7 Function Select Register	P6_7S	XXXX X000b
0400DFh	Port P7_7 Function Select Register	P7_7S	XXXX X000b
0400E0h	Port P8_0 Function Select Register	P8_0S	XXXX X000b
0400E1h			
0400E2h	Port P8_1 Function Select Register	P8_1S	XXXX X000b
0400E3h			
0400E4h	Port P8_2 Function Select Register	P8_2S	XXXX X000b
0400E5h			
0400E6h	Port P8_3 Function Select Register	P8_3S	XXXX X000b
0400E7h	Port P9_3 Function Select Register	P9_3S	0XXX X000b
0400E8h	Port P8_4 Function Select Register	P8_4S	XXXX X000b
0400E9h	Port P9_4 Function Select Register	P9_4S	0XXX X000b
0400EAh			
0400EBh	Port P9_5 Function Select Register	P9_5S	0XXX X000b
0400ECh	Port P8_6 Function Select Register	P8_6S	XXXX X000b
0400EDh	Port P9_6 Function Select Register	P9_6S	0XXX X000b
0400EEh	Port P8_7 Function Select Register	P8_7S	XXXX X000b
0400EFh	Port P9_7 Function Select Register	P9_7S	XXXX X000b

X: Undefined

Blanks are reserved. No access is allowed.

Table 4.22 SFR List (22)

Address	Register	Symbol	Reset Value
0400F0h	Port P10_0 Function Select Register	P10_0S	0XXX X000b
0400F1h			
0400F2h	Port P10_1 Function Select Register	P10_1S	0XXX X000b
0400F3h			
0400F4h	Port P10_2 Function Select Register	P10_2S	0XXX X000b
0400F5h			
0400F6h	Port P10_3 Function Select Register	P10_3S	0XXX X000b
0400F7h			
0400F8h	Port P10_4 Function Select Register	P10_4S	0XXX X000b
0400F9h			
0400FAh	Port P10_5 Function Select Register	P10_5S	0XXX X000b
0400FBh			
0400FCh	Port P10_6 Function Select Register	P10_6S	0XXX X000b
0400FDh			
0400FEh	Port P10_7 Function Select Register	P10_7S	0XXX X000b
0400FFh			
040100h			
040101h			
040102h			
040103h			
040104h			
040105h			
040106h			
040107h			
040108h			
040109h			
04010Ah			
04010Bh			
04010Ch			
04010Dh			
04010Eh			
04010Fh			
040110h			
040111h			
040112h			
040113h			
040114h			
040115h			
040116h			
040117h			
040118h			
040119h			
04011Ah			
04011Bh			
04011Ch			
04011Dh			
04011Eh			
04011Fh			

X: Undefined

Blanks are reserved. No access is allowed.

Table 4.23 SFR List (23)

Address	Register	Symbol	Reset Value
040120h to 04403Fh			
044040h			
044041h			
044042h			
044043h			
044044h			
044045h			
044046h			
044047h			
044048h			
044049h			
04404Ah			
04404Bh			
04404Ch			
04404Dh			
04404Eh	Watchdog Timer Start Register	WDTS	XXXX XXXXb
04404Fh	Watchdog Timer Control Register	WDC	000X XXXXb
044050h			
044051h			
044052h			
044053h			
044054h			
044055h			
044056h			
044057h			
044058h			
044059h			
04405Ah			
04405Bh			
04405Ch			
04405Dh			
04405Eh			
04405Fh	Protect Register 2	PRCR2	0XXX XXXXb

X: Undefined

Blanks are reserved. No access is allowed.

Table 4.24 SFR List (24)

Address	Register	Symbol	Reset Value
044060h			
044061h			
044062h			
044063h			
044064h			
044065h			
044066h			
044067h			
044068h			
044069h			
04406Ah			
04406Bh			
04406Ch			
04406Dh	External Interrupt Request Source Select Register 1	IFSR1	X0XX XXXXb
04406Eh			
04406Fh	External Interrupt Request Source Select Register 0	IFSR0	0000 0000b
044070h	DMA0 Request Source Select Register 2	DM0SL2	XX00 0000b
044071h	DMA1 Request Source Select Register 2	DM1SL2	XX00 0000b
044072h	DMA2 Request Source Select Register 2	DM2SL2	XX00 0000b
044073h	DMA3 Request Source Select Register 2	DM3SL2	XX00 0000b
044074h			
044075h			
044076h			
044077h			
044078h	DMA0 Request Source Select Register	DM0SL	XXX0 0000b
044079h	DMA1 Request Source Select Register	DM1SL	XXX0 0000b
04407Ah	DMA2 Request Source Select Register	DM2SL	XXX0 0000b
04407Bh	DMA3 Request Source Select Register	DM3SL	XXX0 0000b
04407Ch			
04407Dh	Wake-up IPL Setting Register 2	RIPL2	XX0X 0000b
04407Eh			
04407Fh	Wake-up IPL Setting Register 1	RIPL1	XX0X 0000b
044080h			
044081h			
044082h			
044083h			
044084h			
044085h			
044086h			
044087h			
044088h			
044089h			
04408Ah			
04408Bh			
04408Ch			
04408Dh			
04408Eh			
04408Fh			

X: Undefined

Blanks are reserved. No access is allowed.

5. Electrical Characteristics

Table 5.1 Absolute Maximum Ratings (1)

Symbol	Characteristic		Condition	Value (2)	Unit
V_{CC1}, V_{CC2}	Supply voltage		$V_{CC1} = AV_{CC}$	-0.3 to 6.0	V
V_{CC2}	Supply voltage		—	-0.3 to V_{CC1}	V
AV_{CC}	Analog supply voltage		$V_{CC1} = AV_{CC}$	-0.3 to 6.0	V
V_I	Input voltage	XIN, RESET, CNVSS, NSD, V_{REF} , P6_0 to P6_7, P7_2 to P7_7, P8_0 to P8_7, P9_1, P9_3 to P9_7, P10_0 to P10_7 (3)		-0.3 to $V_{CC1} + 0.3$	V
		P0_0 to P0_7, P1_0 to P1_7, P2_0 to P2_7, P3_0 to P3_7, P4_0 to P4_7, P5_0 to P5_7 (3)		-0.3 to $V_{CC2} + 0.3$	V
		P7_0, P7_1		-0.3 to 6.0	V
V_O	Output voltage	XOUT, P6_0 to P6_7, P7_2 to P7_7, P8_0 to P8_4, P8_6, P8_7, P9_3 to P9_7, P10_0 to P10_7 (3)		-0.3 to $V_{CC1} + 0.3$	V
		P0_0 to P0_7, P1_0 to P1_7, P2_0 to P2_7, P3_0 to P3_7, P4_0 to P4_7, P5_0 to P5_7 (3)		-0.3 to $V_{CC2} + 0.3$	V
		P7_0, P7_1		-0.3 to 6.0	V
P_d	Power consumption		$T_a = 25^\circ\text{C}$	500	mW
—	Operating temperature range			-40 to 85	$^\circ\text{C}$
T_{stg}	Storage temperature range			-65 to 150	$^\circ\text{C}$

Notes:

1. Stresses above those listed under "Absolute Maximum Ratings" may cause permanent damage to the device. This is a stress rating only and functional operation of the device at these or any other conditions above those indicated in the operational sections of this specification is not implied. Exposure to absolute maximum rating conditions for extended periods may affect device reliability.
2. The V_{CC2} pin is available in the 100-pin package only. It should be considered as V_{CC1} in the 64-pin package.
3. Ports P0_4 to P0_7, P1_0 to P1_4, P3_4 to P3_7, P4, P5, P9_1, and P9_4 to P9_7 are available in the 100-pin package only.

Table 5.2 Operating Conditions (1/5) (1)

Symbol	Characteristic		Value (2)			Unit	
			Min.	Typ.	Max.		
V_{CC1} , V_{CC2}	Digital supply voltage ($V_{CC1} \geq V_{CC2}$)		3.0	5.0	5.5	V	
AV_{CC}	Analog supply voltage			V_{CC1}		V	
V_{REF}	Reference voltage		3.0		V_{CC1}	V	
V_{SS}	Digital ground voltage			0		V	
AV_{SS}	Analog ground voltage			0		V	
dV_{CC1}/dt	V_{CC1} ramp up rate ($V_{CC1} < 2.0$ V)		0.05			V/ms	
V_{IH}	High level input voltage	P2_0 to P2_7, P3_0 to P3_7, P4_0 to P4_7, P5_0 to P5_7 (4)	$0.8 \times V_{CC2}$		V_{CC2}	V	
		XIN, \overline{RESET} , CNVSS, NSD, P6_0 to P6_7, P7_2 to P7_7, P8_0 to P8_7 (3), P9_1, P9_3 to P9_7, P10_0 to P10_7 (4)	$0.8 \times V_{CC1}$		V_{CC1}	V	
		P7_0, P7_1	$0.8 \times V_{CC1}$		6.0	V	
		P0_0 to P0_7, P1_0 to P1_7 (4)	in single-chip mode	$0.8 \times V_{CC2}$		V_{CC2}	V
			in memory expansion mode or microprocessor mode (5)	$0.5 \times V_{CC2}$		V_{CC2}	V
V_{IL}	Low level input voltage	P2_0 to P2_7, P3_0 to P3_7, P4_0 to P4_7, P5_0 to P5_7 (4)	0		$0.2 \times V_{CC2}$	V	
		XIN, \overline{RESET} , CNVSS, NSD, P6_0 to P6_7, P7_0 to P7_7, P8_0 to P8_7 (3), P9_1, P9_3 to P9_7, P10_0 to P10_7 (4)	0		$0.2 \times V_{CC1}$	V	
		P0_0 to P0_7, P1_0 to P1_7 (4)	in single-chip mode	0		$0.2 \times V_{CC2}$	V
			in memory expansion mode or microprocessor mode (5)	0		$0.16 \times V_{CC2}$	V
		T_{opr}	Operating temperature range	N version	-20		85
		D version	-40		85	°C	

Notes:

1. The device is operationally guaranteed under these operating conditions.
2. The V_{CC2} pin is available in the 100-pin package only. It should be considered as V_{CC1} in the 64-pin package.
3. V_{IH} and V_{IL} for P8_7 are specified for P8_7 as a programmable port. These values are not applicable for P8_7 as XCIN.
4. Ports P0_4 to P0_7, P1_0 to P1_4, P3_4 to P3_7, P4, P5, P9_1, and P9_4 to P9_7 are available in the 100-pin package only.
5. Memory expansion mode and microprocessor mode are available in the 100-pin package only.

Table 5.3 Operating Conditions (2/5)
($V_{CC1} = V_{CC2} = 3.0$ to 5.5 V, $V_{SS} = 0$ V, and $T_a = T_{opr}$, unless otherwise noted) (1)

Symbol	Characteristic		Value (2)			Unit
			Min.	Typ.	Max.	
C_{VDC}	Decoupling capacitance for voltage regulator	Inter-pin voltage: 1.5 V	2.4		10.0	μF

Notes:

1. The device is operationally guaranteed under these operating conditions.
2. This value should be met with due consideration to the following conditions: operating temperature, DC bias, aging, etc.

Table 5.4 Operating Conditions (3/5)
 ($V_{CC1} = V_{CC2} = 3.0$ to 5.5 V, $V_{SS} = 0$ V, and $T_a = T_{opr}$, unless otherwise noted) (1)

Symbol	Characteristic		Value			Unit
			Min.	Typ.	Max.	
$I_{OH(peak)}$	High level peak output current (2)	P0_0 to P0_7, P1_0 to P1_7, P2_0 to P2_7, P3_0 to P3_7, P4_0 to P4_7, P5_0 to P5_7, P6_0 to P6_7, P7_2 to P7_7, P8_0 to P8_4, P8_6, P8_7, P9_3 to P9_7, P10_0 to P10_7 (3)			-10.0	mA
$I_{OH(avg)}$	High level average output current (4)	P0_0 to P0_7, P1_0 to P1_7, P2_0 to P2_7, P3_0 to P3_7, P4_0 to P4_7, P5_0 to P5_7, P6_0 to P6_7, P7_2 to P7_7, P8_0 to P8_4, P8_6, P8_7, P9_3 to P9_7, P10_0 to P10_7 (3)			-5.0	mA
$I_{OL(peak)}$	Low level peak output current (2)	P0_0 to P0_7, P1_0 to P1_7, P2_0 to P2_7, P3_0 to P3_7, P4_0 to P4_7, P5_0 to P5_7, P6_0 to P6_7, P7_0 to P7_7, P8_0 to P8_4, P8_6, P8_7, P9_3 to P9_7, P10_0 to P10_7 (3)			10.0	mA
$I_{OL(avg)}$	Low level average output current (4)	P0_0 to P0_7, P1_0 to P1_7, P2_0 to P2_7, P3_0 to P3_7, P4_0 to P4_7, P5_0 to P5_7, P6_0 to P6_7, P7_0 to P7_7, P8_0 to P8_4, P8_6, P8_7, P9_3 to P9_7, P10_0 to P10_7 (3)			5.0	mA

Notes:

- The device is operationally guaranteed under these operating conditions.
- The following conditions should be satisfied:
 - The sum of $I_{OL(peak)}$ of ports P0, P1, P2, P8_6, P8_7, P9, and P10 is 80 mA or less.
 - The sum of $I_{OL(peak)}$ of ports P3, P4, P5, P6, P7, and P8_0 to P8_4 is 80 mA or less.
 - The sum of $I_{OH(peak)}$ of ports P0, P1, and P2 is -40 mA or less.
 - The sum of $I_{OH(peak)}$ of ports P8_6, P8_7, P9, and P10 is -40 mA or less.
 - The sum of $I_{OH(peak)}$ of ports P3, P4, and P5 is -40 mA or less.
 - The sum of $I_{OH(peak)}$ of ports P6, P7, and P8_0 to P8_4 is -40 mA or less.
- Ports P0_4 to P0_7, P1_0 to P1_4, P3_4 to P3_7, P4, P5, and P9_4 to P9_7 are available in the 100-pin package only.
- Average value within 100 ms.

Table 5.5 Operating Conditions (4/5)
 ($V_{CC1} = V_{CC2} = 3.0$ to 5.5 V, $V_{SS} = 0$ V, and $T_a = T_{opr}$, unless otherwise noted) (1)

Symbol	Characteristic	Value			Unit
		Min.	Typ.	Max.	
$f_{(XIN)}$	Main clock oscillator frequency	4		16	MHz
$f_{(XRef)}$	Reference clock frequency	2		4	MHz
$f_{(PLL)}$	PLL clock oscillator frequency	96		128	MHz
$f_{(Base)}$	Base clock frequency			50	MHz
$t_{c(Base)}$	Base clock cycle time	20			ns
$f_{(CPU)}$	CPU operating frequency			50	MHz
$t_{c(CPU)}$	CPU clock cycle time	20			ns
$f_{(BCLK)}$	Peripheral bus clock operating frequency			25	MHz
$t_{c(BCLK)}$	Peripheral bus clock cycle time	40			ns
$f_{(PER)}$	Peripheral clock source frequency			32	MHz
$f_{(XCIN)}$	Sub clock oscillator frequency		32.768	62.5	kHz

Note:

1. The device is operationally guaranteed under these operating conditions.

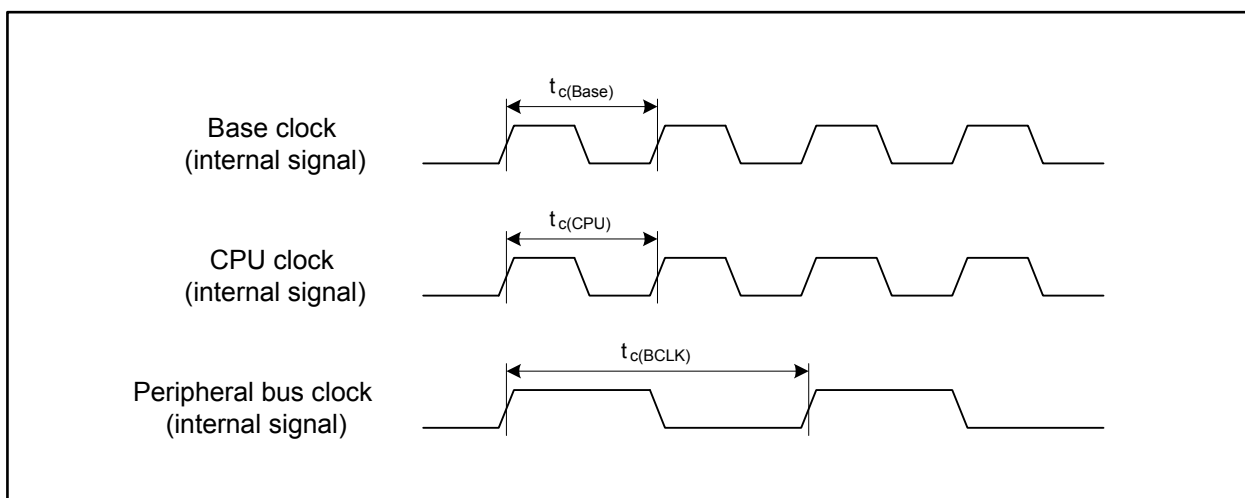


Figure 5.1 Clock Cycle Time

Table 5.6 Operating Conditions (5/5)
 ($V_{CC1} = V_{CC2} = 3.0$ to 5.5 V, $V_{SS} = 0$ V, and $T_a = T_{opr}$, unless otherwise noted) (1)

Symbol	Characteristic	Value			Unit
		Min.	Typ.	Max.	
$V_{r(VCC1)}$	Allowable ripple voltage	$V_{CC1} = 5.0$ V		0.5	Vp-p
		$V_{CC1} = 3.0$ V		0.3	Vp-p
$V_{r(VCC2)}$	Allowable ripple voltage	$V_{CC2} = 5.0$ V		0.5	Vp-p
		$V_{CC2} = 3.0$ V		0.3	Vp-p
$dV_{r(VCC1)}/dt$	Ripple voltage gradient	$V_{CC1} = 5.0$ V		± 0.3	V/ms
		$V_{CC1} = 3.0$ V		± 0.3	V/ms
$dV_{r(VCC2)}/dt$	Ripple voltage gradient	$V_{CC2} = 5.0$ V		± 0.3	V/ms
		$V_{CC2} = 3.0$ V		± 0.3	V/ms
$f_{r(VCC1)}$	Allowable ripple frequency			10	kHz
$f_{r(VCC2)}$	Allowable ripple frequency			10	kHz

Note:

- The device is operationally guaranteed under these operating conditions.

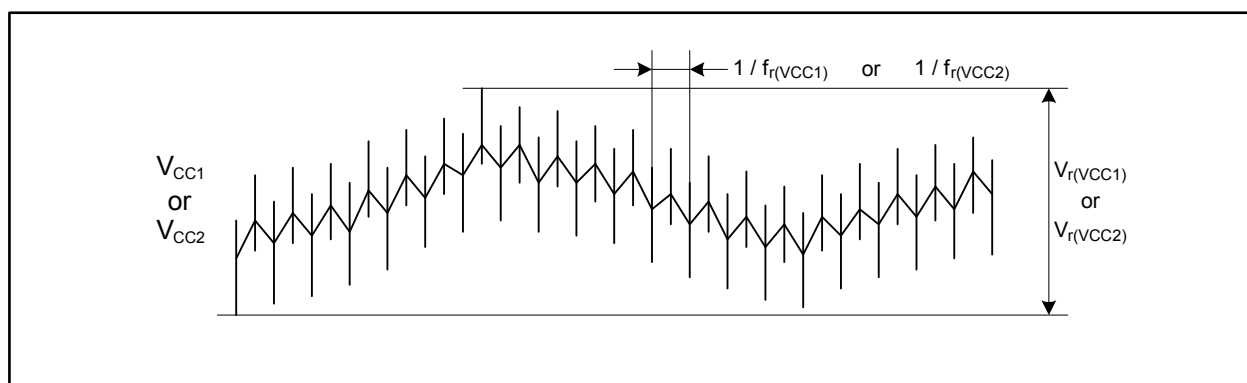


Figure 5.2 Ripple Waveform

Table 5.7 Electrical Characteristics of RAM
($V_{CC1} = V_{CC2} = 3.0$ to 5.5 V, $V_{SS} = 0$ V, and $T_a = T_{opr}$, unless otherwise noted)

Symbol	Characteristic	Measurement Condition	Value			Unit
			Min.	Typ.	Max.	
V_{RDR}	RAM data retention voltage ⁽¹⁾	In stop mode	2.0			V

Note:

1. The value listed in the table is the minimum V_{CC1} to retain RAM data.

Table 5.8 Electrical Characteristics of Flash Memory
($V_{CC1} = V_{CC2} = 3.0$ to 5.5 V, $V_{SS} = 0$ V, and $T_a = T_{opr}$, unless otherwise noted)

Symbol	Characteristic		Value			Unit
			Min.	Typ.	Max.	
—	Program/erase cycles ⁽¹⁾	Program area	1000			Cycles
		Data area	10000			Cycles
—	4-word program time	Program area		150	900	μ s
		Data area		300	1700	μ s
—	Lock bit program time	Program area		70	500	μ s
		Data area		140	1000	μ s
—	Block erasure time	4-Kbyte block		0.12	3.0	s
		32-Kbyte block		0.17	3.0	s
		64-Kbyte block		0.20	3.0	s
—	Data retention ⁽²⁾	$T_a = 55^\circ\text{C}$ ⁽³⁾	10			Years

Notes:

1. Program/erase definition
 This value represents the number of erasures per block.
 When the number of program/erase cycles is n, each block can be erased n times.
 For example, if a 4-word write is performed in 512 different addresses in the 4-Kbyte block A and then the block is erased, this is counted as a single program/erase operation.
 However, the same address cannot be written to more than once per erasure (overwrite disabled).
2. Data retention includes periods when no supply voltage is applied and no clock is provided.
3. Contact a Renesas Electronics sales office for data retention times other than the above condition.

Table 5.9 Power Supply Circuit Timing Characteristics
 ($V_{CC1} = V_{CC2} = 3.0$ to 5.5 V, $V_{SS} = 0$ V, and $T_a = T_{opr}$, unless otherwise noted)

Symbol	Characteristic	Measurement Condition	Value			Unit
			Min.	Typ.	Max.	
$t_{d(P-R)}$	Internal power supply start-up stabilization time after the main power supply is turned on				2	ms

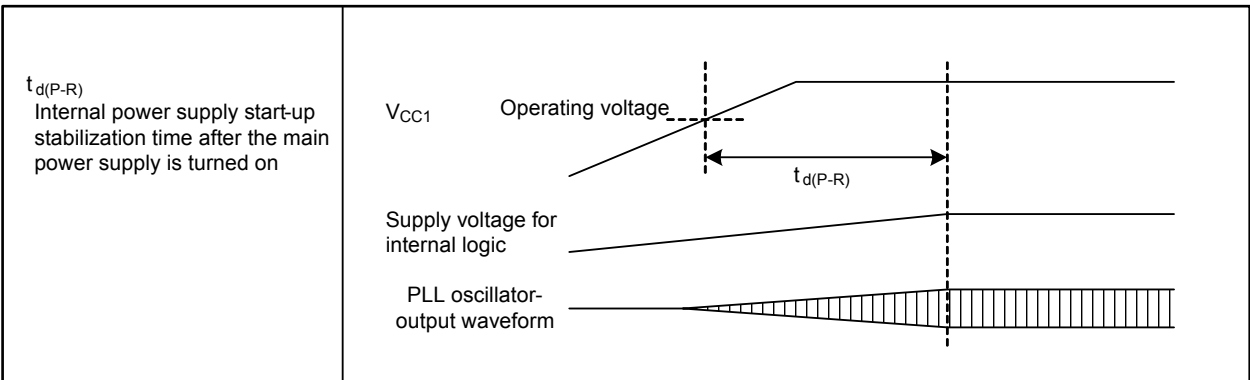


Figure 5.3 Power Supply Circuit Timing

Table 5.10 Electrical Characteristics of Voltage Regulator for Internal Logic
 ($V_{CC1} = V_{CC2} = 3.0$ to 5.5 V, $V_{SS} = 0$ V, and $T_a = T_{opr}$, unless otherwise noted)

Symbol	Characteristics	Measurement Condition	Value			Unit
			Min.	Typ.	Max.	
V_{VDC1}	Output voltage			1.5		V

Table 5.11 Electrical Characteristics of Low Voltage Detector
 ($V_{CC1} = V_{CC2} = 4.2$ to 5.5 V, $V_{SS} = 0$ V, and $T_a = T_{opr}$, unless otherwise noted)

Symbol	Characteristics	Measurement Condition	Value			Unit
			Min.	Typ.	Max.	
ΔV_{det}	Detected voltage error				± 0.3	V
$V_{det(R)} - V_{det(F)}$	Hysteresis width		0			V
—	Self-consuming current	$V_{CC1} = 5.0$ V, low voltage detector enabled		4		μA
$t_{d(E-A)}$	Operation start time of low voltage detector				150	μs

Table 5.12 Electrical Characteristics of Oscillator
 ($V_{CC1} = V_{CC2} = 3.0$ to 5.5 V, $V_{SS} = 0$ V, and $T_a = T_{opr}$, unless otherwise noted)

Symbol	Characteristics	Measurement Condition	Value			Unit
			Min.	Typ.	Max.	
$f_{SO(PLL)}$	PLL clock self-oscillation frequency		35	55	80	MHz
$t_{LOCK(PLL)}$	PLL lock time (1)				1	ms
$t_{jitter(p-p)}$	PLL jitter period (p-p)				2.0	ns
$f_{(OCO)}$	On-chip oscillator frequency		62.5	125	250	kHz

Note:

1. This value is applicable only when the main clock oscillation is stable.

Table 5.13 Electrical Characteristics of Clock Circuitry
 ($V_{CC1} = V_{CC2} = 3.0$ to 5.5 V, $V_{SS} = 0$ V, and $T_a = T_{opr}$, unless otherwise noted)

Symbol	Characteristics	Measurement Condition	Value			Unit
			Min.	Typ.	Max.	
$t_{rec(WAIT)}$	Recovery time from wait mode to low power mode				225	μ s
$t_{rec(STOP)}$	Recovery time from stop mode (1)				225	μ s

Note:

1. The recovery time from stop mode does not include the main clock oscillation stabilization time. The CPU starts operating before the oscillator is stabilized.

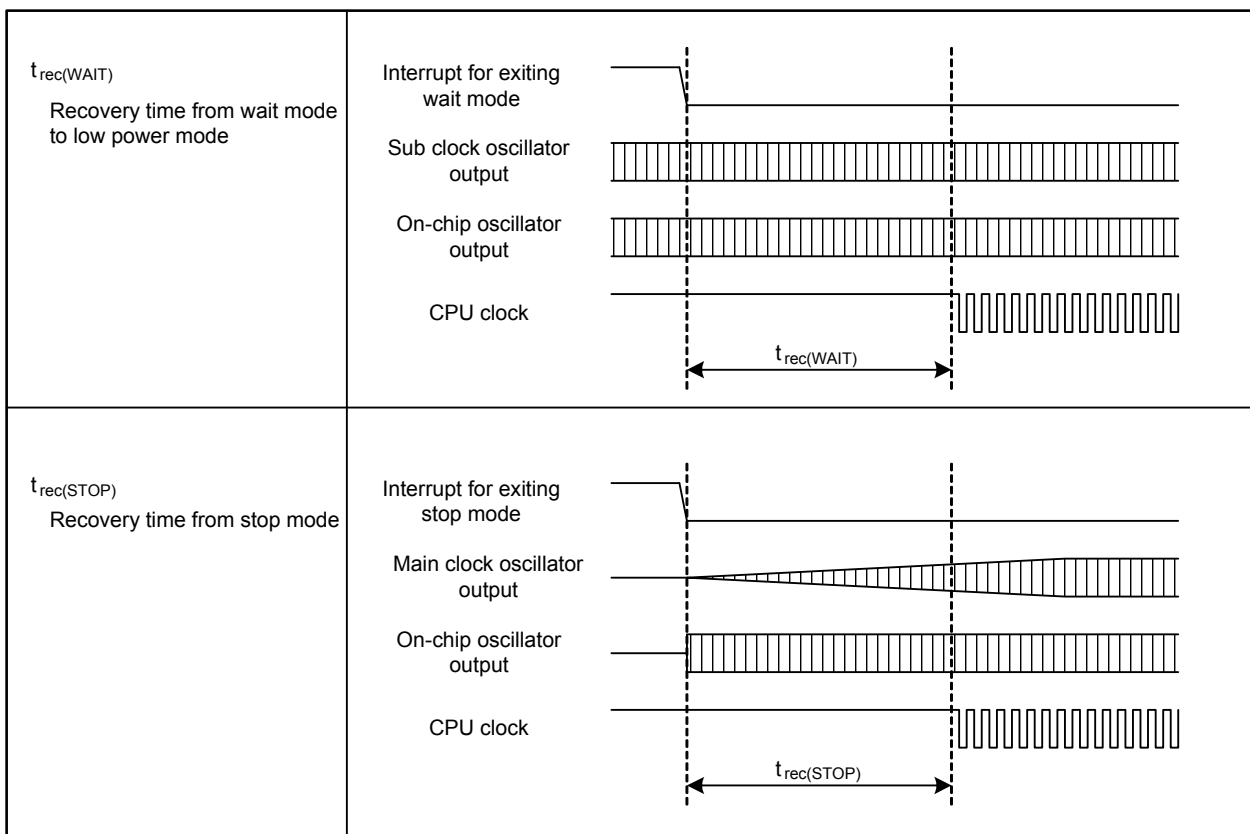


Figure 5.4 Clock Circuit Timing

Timing Requirements ($V_{CC1} = V_{CC2} = 3.0$ to 5.5 V, $V_{SS} = 0$ V, and $T_a = T_{opr}$, unless otherwise noted)

Table 5.14 Flash Memory CPU Rewrite Mode Timing

Symbol	Characteristics	Value		Unit
		Min.	Max.	
t_{cR}	Read cycle time	200		ns
$t_{su(S-R)}$	Chip-select setup time before read	200		ns
$t_{h(R-S)}$	Chip-select hold time after read	0		ns
$t_{su(A-R)}$	Address setup time before read	200		ns
$t_{h(R-A)}$	Address hold time after read	0		ns
$t_{w(R)}$	Read pulse width	100		ns
t_{cW}	Write cycle time	200		ns
$t_{su(S-W)}$	Chip-select setup time before write	0		ns
$t_{h(W-S)}$	Chip-select hold time after write	30		ns
$t_{su(A-W)}$	Address setup time before write	0		ns
$t_{h(W-A)}$	Address hold time after write	30		ns
$t_{w(W)}$	Write pulse width	50		ns

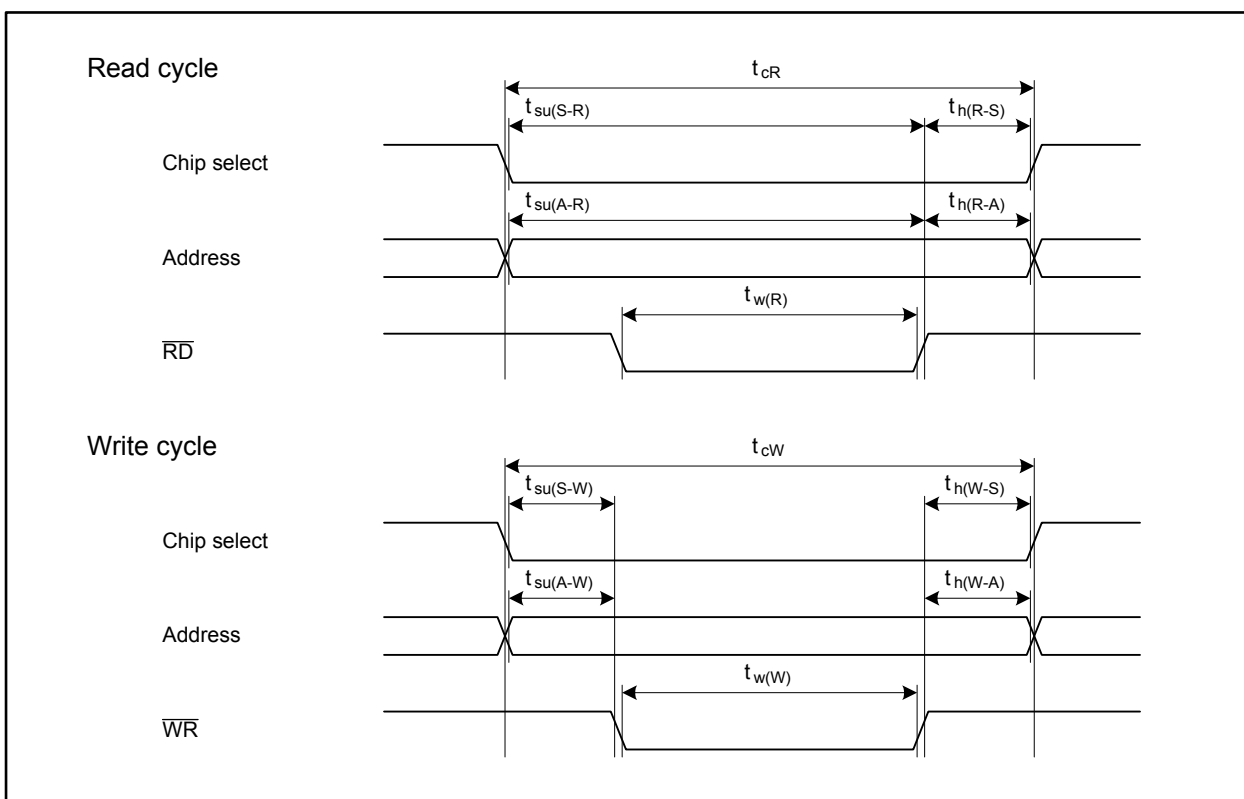


Figure 5.5 Flash Memory CPU Rewrite Mode Timing

$$V_{CC1} = V_{CC2} = 5 \text{ V}$$

Table 5.15 Electrical Characteristics (1/3)

($V_{CC1} = V_{CC2} = 4.2$ to 5.5 V , $V_{SS} = 0 \text{ V}$, $T_a = T_{opr}$, and $f_{(CPU)} = 50 \text{ MHz}$, unless otherwise noted)

Symbol	Characteristic		Measurement Condition	Value (2)			Unit
				Min.	Typ.	Max.	
V_{OH}	High level output voltage	P0_0 to P0_7, P1_0 to P1_7, P2_0 to P2_7, P3_0 to P3_7, P4_0 to P4_7, P5_0 to P5_7 (1)	$I_{OH} = -5 \text{ mA}$	$V_{CC2} - 2.0$		V_{CC2}	V
		P6_0 to P6_7, P7_2 to P7_7, P8_0 to P8_4, P8_6, P8_7, P9_3 to P9_7, P10_0 to P10_7 (1)	$I_{OH} = -5 \text{ mA}$	$V_{CC1} - 2.0$		V_{CC1}	V
		P0_0 to P0_7, P1_0 to P1_7, P2_0 to P2_7, P3_0 to P3_7, P4_0 to P4_7, P5_0 to P5_7 (1)	$I_{OH} = -200 \mu\text{A}$	$V_{CC2} - 0.3$		V_{CC2}	V
		P6_0 to P6_7, P7_2 to P7_7, P8_0 to P8_4, P8_6, P8_7, P9_3 to P9_7, P10_0 to P10_7 (1)	$I_{OH} = -200 \mu\text{A}$	$V_{CC1} - 0.3$		V_{CC1}	V
V_{OL}	Low level output voltage	P0_0 to P0_7, P1_0 to P1_7, P2_0 to P2_7, P3_0 to P3_7, P4_0 to P4_7, P5_0 to P5_7, P6_0 to P6_7, P7_0 to P7_7, P8_0 to P8_4, P8_6, P8_7, P9_3 to P9_7, P10_0 to P10_7 (1)	$I_{OL} = 5 \text{ mA}$			2.0	V
		P0_0 to P0_7, P1_0 to P1_7, P2_0 to P2_7, P3_0 to P3_7, P4_0 to P4_7, P5_0 to P5_7, P6_0 to P6_7, P7_0 to P7_7, P8_0 to P8_4, P8_6, P8_7, P9_3 to P9_7, P10_0 to P10_7 (1)	$I_{OL} = 200 \mu\text{A}$			0.45	V

Notes:

1. Ports P0_4 to P0_7, P1_0 to P1_4, P3_4 to P3_7, P4, P5, and P9_4 to P9_7 are available in the 100-pin package only.
2. The V_{CC2} pin is available in the 100-pin package only. It should be considered as V_{CC1} in the 64-pin package.

$$V_{CC1} = V_{CC2} = 5 \text{ V}$$

Table 5.16 Electrical Characteristics (2/3)

($V_{CC1} = V_{CC2} = 4.2$ to 5.5 V , $V_{SS} = 0 \text{ V}$, $T_a = T_{opr}$, and $f_{(CPU)} = 50 \text{ MHz}$, unless otherwise noted)

Symbol	Characteristic	Measurement Condition	Value			Unit	
			Min.	Typ.	Max.		
$V_{T+} - V_{T-}$	Hysteresis	HOLD, RDY, NMI, INT0 to INT5, KI0 to KI3, TA0IN to TA4IN, TA0OUT to TA4OUT, TB0IN to TB5IN, CTS0 to CTS8, CLK0 to CLK8, RXD0 to RXD8, SCL0 to SCL6, SDA0 to SDA6, SS0 to SS6, SRXD0 to SRXD6, ADTRG, IIO0_0 to IIO0_7, IIO1_0 to IIO1_7, UD0A, UD0B, UD1A, UD1B, ISCLK2, ISRXD2, IEIN (1)					
				0.2		1.0	V
	RESET		0.2		1.8	V	
I_{IH}	High level input current	XIN, RESET, CNVSS, NSD, P0_0 to P0_7, P1_0 to P1_7, P2_0 to P2_7, P3_0 to P3_7, P4_0 to P4_7, P5_0 to P5_7, P6_0 to P6_7, P7_0 to P7_7, P8_0 to P8_7, P9_1, P9_3 to P9_7, P10_0 to P10_7 (2)	$V_I = 5 \text{ V}$		5.0	μA	
I_{IL}	Low level input current	XIN, RESET, CNVSS, NSD, P0_0 to P0_7, P1_0 to P1_7, P2_0 to P2_7, P3_0 to P3_7, P4_0 to P4_7, P5_0 to P5_7, P6_0 to P6_7, P7_0 to P7_7, P8_0 to P8_7, P9_1, P9_3 to P9_7, P10_0 to P10_7 (2)	$V_I = 0 \text{ V}$		-5.0	μA	
R_{PULLUP}	Pull-up resistor	P0_0 to P0_7, P1_0 to P1_7, P2_0 to P2_7, P3_0 to P3_7, P4_0 to P4_7, P5_0 to P5_7, P6_0 to P6_7, P7_2 to P7_7, P8_0 to P8_4, P8_6, P8_7, P9_1, P9_3 to P9_7, P10_0 to P10_7 (2)	$V_I = 0 \text{ V}$	30	50	170	$\text{k}\Omega$
R_{fXIN}	Feedback resistor	XIN		1.5		$\text{M}\Omega$	
R_{fXCIN}	Feedback resistor	XCIN		15		$\text{M}\Omega$	

Notes:

1. Pins TB4IN, CTS4, CLK4, RXD4, SCL4, SDA4, SS4, SRXD4, and UART6, and UART7 are available in the 100-pin package only.
2. Ports P0_4 to P0_7, P1_0 to P1_4, P3_4 to P3_7, P4, P5, P9_1, and P9_4 to P9_7 are available in the 100-pin package only.

$$V_{CC1} = V_{CC2} = 5 \text{ V}$$

Table 5.17 Electrical Characteristics (3/3)

($V_{CC1} = V_{CC2} = 4.2$ to 5.5 V, $V_{SS} = 0$ V, and $T_a = T_{opr}$, unless otherwise noted)

Symbol	Characteristic	Measurement Condition	Value			Unit		
			Min.	Typ.	Max.			
I_{CC}	Power supply current	In single-chip mode, output pins are left open and others are connected to V_{SS}	$f_{(CPU)} = 50$ MHz, $f_{(BCLK)} = 25$ MHz, $f_{(XIN)} = 8$ MHz, Active: XIN, PLL, Stopped: XCIN, OCO		32	45	mA	
			XIN-XOUT Drive strength: low	$f_{(CPU)} = f_{SO(PLL)}/24$ MHz, Active: PLL (self-oscillation), Stopped: XIN, XCIN, OCO		10		mA
			XCIN-XCOUT Drive strength: low	$f_{(CPU)} = f_{(BCLK)} = f_{(XIN)}/256$ MHz, $f_{(XIN)} = 8$ MHz, Active: XIN, Stopped: PLL, XCIN, OCO		1.2		mA
				$f_{(CPU)} = f_{(BCLK)} = 32.768$ kHz, Active: XCIN, Stopped: XIN, PLL, OCO, Main regulator: shutdown		220		μ A
				$f_{(CPU)} = f_{(BCLK)} = f_{(OCO)}/4$ kHz, Active: OCO, Stopped: XIN, PLL, XCIN, Main regulator: shutdown		230		μ A
				$f_{(CPU)} = f_{(BCLK)} = f_{(XIN)}/256$ MHz, $f_{(XIN)} = 8$ MHz, Active: XIN, Stopped: PLL, XCIN, OCO, $T_a = 25^\circ\text{C}$, Wait mode		960	1600	μ A
				$f_{(CPU)} = f_{(BCLK)} = 32.768$ kHz, Active: XCIN, Stopped: XIN, PLL, OCO, Main regulator: shutdown, $T_a = 25^\circ\text{C}$, Wait mode		8	140	μ A
				$f_{(CPU)} = f_{(BCLK)} = f_{(OCO)}/4$ kHz, Active: OCO, Stopped: XIN, PLL, XCIN, Main regulator: shutdown, $T_a = 25^\circ\text{C}$, Wait mode		10	150	μ A
				Stopped: all clocks, Main regulator: shutdown, $T_a = 25^\circ\text{C}$		5	70	μ A

$$V_{CC1} = V_{CC2} = 5 \text{ V}$$

**Table 5.18 A/D Conversion Characteristics ($V_{CC1} = V_{CC2} = AV_{CC} = V_{REF} = 4.2$ to 5.5 V ,
 $V_{SS} = AV_{SS} = 0 \text{ V}$, $T_a = T_{opr}$, and $f_{(BCLK)} = 25 \text{ MHz}$, unless otherwise noted)**

Symbol	Characteristic	Measurement Condition	Value			Unit	
			Min.	Typ.	Max.		
—	Resolution	$V_{REF} = V_{CC1}$			10	Bits	
—	Absolute error	$V_{REF} = V_{CC1} = V_{CC2} = 5 \text{ V}$	AN_0 to AN_7, AN0_0 to AN0_7, AN2_0 to AN2_7, ANEX0, ANEX1 (1)			±3	LSB
			External op-amp connection mode			±7	LSB
INL	Integral non-linearity error	$V_{REF} = V_{CC1} = V_{CC2} = 5 \text{ V}$	AN_0 to AN_7, AN0_0 to AN0_7, AN2_0 to AN2_7, ANEX0, ANEX1 (1)			±3	LSB
			External op-amp connection mode			±7	LSB
DNL	Differential non-linearity error				±1	LSB	
—	Offset error				±3	LSB	
—	Gain error				±3	LSB	
R_{LADDER}	Resistor ladder	$V_{REF} = V_{CC1}$	4		20	k Ω	
t_{CONV}	Conversion time (10 bits)	$\phi_{AD} = 16 \text{ MHz}$, with sample and hold function	2.06			μs	
		$\phi_{AD} = 16 \text{ MHz}$, without sample and hold function	3.69			μs	
t_{CONV}	Conversion time (8 bits)	$\phi_{AD} = 16 \text{ MHz}$, with sample and hold function	1.75			μs	
		$\phi_{AD} = 16 \text{ MHz}$, without sample and hold function	3.06			μs	
t_{SAMP}	Sampling time	$\phi_{AD} = 16 \text{ MHz}$	0.188			μs	
V_{IA}	Analog input voltage		0		V_{REF}	V	
ϕ_{AD}	Operating clock frequency	Without sample and hold function	0.25		16	MHz	
		With sample and hold function	1		16	MHz	

Note:

1. Pins AN0_4 to AN0_7, ANEX0, and ANEX1 are available in the 100-pin package only.

$$V_{CC1} = V_{CC2} = 5 \text{ V}$$

**Table 5.19 D/A Conversion Characteristics ($V_{CC1} = V_{CC2} = AV_{CC} = V_{REF} = 4.2$ to 5.5 V ,
 $V_{SS} = AV_{SS} = 0 \text{ V}$, and $T_a = T_{opr}$, unless otherwise noted)**

Symbol	Characteristic	Measurement Condition	Value			Unit
			Min.	Typ.	Max.	
—	Resolution				8	Bits
—	Absolute precision				1.0	%
t_s	Settling time				3	μs
R_O	Output resistance		4	10	20	$\text{k}\Omega$
I_{VREF}	Reference input current	See Note 1			1.5	mA

Note:

- One D/A converter is used. The DAi register ($i = 0, 1$) of the other unused converter is set to 00h. The resistor ladder for the A/D converter is not considered.
Even when the VCUT bit in the AD0CON1 register is set to 0 (V_{REF} disconnected), I_{VREF} is supplied.

$$V_{CC1} = V_{CC2} = 5 \text{ V}$$

Timing Requirements ($V_{CC1} = V_{CC2} = 4.2$ to 5.5 V , $V_{SS} = 0 \text{ V}$, and $T_a = T_{opr}$, unless otherwise noted)

Table 5.20 External Clock Input

Symbol	Characteristic	Value		Unit
		Min.	Max.	
$t_{C(X)}$	External clock input period	62.5	250	ns
$t_{W(XH)}$	External clock input high level pulse width	25		ns
$t_{W(XL)}$	External clock input low level pulse width	25		ns
$t_{r(X)}$	External clock input rise time		5	ns
$t_{f(X)}$	External clock input fall time		5	ns
t_w / t_c	External clock input duty	40	60	%

Table 5.21 External Bus Timing

Symbol	Characteristic	Value		Unit
		Min.	Max.	
$t_{su(D-R)}$	Data setup time before read	40		ns
$t_h(R-D)$	Data hold time after read	0		ns
$t_{dis(R-D)}$	Data disable time after read		$0.5 \times t_{C(Base)} + 10$	ns

$$V_{CC1} = V_{CC2} = 5 \text{ V}$$

Timing Requirements ($V_{CC1} = V_{CC2} = 4.2$ to 5.5 V , $V_{SS} = 0 \text{ V}$, and $T_a = T_{opr}$, unless otherwise noted)

Table 5.22 Timer A Input (counting input in event counter mode)

Symbol	Characteristic	Value		Unit
		Min.	Max.	
$t_{C(TA)}$	TAiIN input clock cycle time	200		ns
$t_{W(TAH)}$	TAiIN input high level pulse width	80		ns
$t_{W(TAL)}$	TAiIN input low level pulse width	80		ns

Table 5.23 Timer A Input (gating input in timer mode)

Symbol	Characteristic	Value		Unit
		Min.	Max.	
$t_{C(TA)}$	TAiIN input clock cycle time	400		ns
$t_{W(TAH)}$	TAiIN input high level pulse width	180		ns
$t_{W(TAL)}$	TAiIN input low level pulse width	180		ns

Table 5.24 Timer A Input (external trigger input in one-shot timer mode)

Symbol	Characteristic	Value		Unit
		Min.	Max.	
$t_{C(TA)}$	TAiIN input clock cycle time	200		ns
$t_{W(TAH)}$	TAiIN input high level pulse width	80		ns
$t_{W(TAL)}$	TAiIN input low level pulse width	80		ns

Table 5.25 Timer A Input (external trigger input in pulse-width modulation mode)

Symbol	Characteristic	Value		Unit
		Min.	Max.	
$t_{W(TAH)}$	TAiIN input high level pulse width	80		ns
$t_{W(TAL)}$	TAiIN input low level pulse width	80		ns

Table 5.26 Timer A Input (increment/decrement switching input in event counter mode)

Symbol	Characteristic	Value		Unit
		Min.	Max.	
$t_{C(UP)}$	TAiOUT input clock cycle time	2000		ns
$t_{W(UPH)}$	TAiOUT input high level pulse width	1000		ns
$t_{W(UPL)}$	TAiOUT input low level pulse width	1000		ns
$t_{Su(UP-TIN)}$	TAiOUT input setup time	400		ns
$t_h(TIN-UP)$	TAiOUT input hold time	400		ns

$$V_{CC1} = V_{CC2} = 5 \text{ V}$$

Timing Requirements ($V_{CC1} = V_{CC2} = 4.2$ to 5.5 V , $V_{SS} = 0 \text{ V}$, and $T_a = T_{opr}$, unless otherwise noted)

Table 5.27 Timer B Input (counting input in event counter mode)

Symbol	Characteristic	Value		Unit
		Min.	Max.	
$t_{c(TB)}$	TBiIN input clock cycle time (one edge counting)	200		ns
$t_{W(TBH)}$	TBiIN input high level pulse width (one edge counting)	80		ns
$t_{W(TBL)}$	TBiIN input low level pulse width (one edge counting)	80		ns
$t_{c(TB)}$	TBiIN input clock cycle time (both edges counting)	200		ns
$t_{W(TBH)}$	TBiIN input high level pulse width (both edges counting)	80		ns
$t_{W(TBL)}$	TBiIN input low level pulse width (both edges counting)	80		ns

Table 5.28 Timer B Input (pulse period measure mode)

Symbol	Characteristic	Value		Unit
		Min.	Max.	
$t_{c(TB)}$	TBiIN input clock cycle time	400		ns
$t_{W(TBH)}$	TBiIN input high level pulse width	180		ns
$t_{W(TBL)}$	TBiIN input low level pulse width	180		ns

Table 5.29 Timer B Input (pulse-width measure mode)

Symbol	Characteristic	Value		Unit
		Min.	Max.	
$t_{c(TB)}$	TBiIN input clock cycle time	400		ns
$t_{W(TBH)}$	TBiIN input high level pulse width	180		ns
$t_{W(TBL)}$	TBiIN input low level pulse width	180		ns

$$V_{CC1} = V_{CC2} = 5 \text{ V}$$

Timing Requirements ($V_{CC1} = V_{CC2} = 4.2$ to 5.5 V , $V_{SS} = 0 \text{ V}$, and $T_a = T_{opr}$, unless otherwise noted)

Table 5.30 Serial Interface

Symbol	Characteristic	Value		Unit
		Min.	Max.	
$t_{c(CK)}$	CLKi input clock cycle time	200		ns
$t_{w(CKH)}$	CLKi input high level pulse width	80		ns
$t_{w(CKL)}$	CLKi input low level pulse width	80		ns
$t_{su(D-C)}$	RXD _i input setup time	80		ns
$t_{h(C-D)}$	RXD _i input hold time	90		ns

Table 5.31 A/D Trigger Input

Symbol	Characteristic	Value		Unit
		Min.	Max.	
$t_{w(ADH)}$	ADTRG input high level pulse width Hardware trigger input high level pulse width	$\frac{3}{\phi_{AD}}$		ns
$t_{w(ADL)}$	ADTRG input low level pulse width Hardware trigger input high level pulse width	125		ns

Table 5.32 External Interrupt \overline{INT}_i Input

Symbol	Characteristic		Value		Unit
			Min.	Max.	
$t_{w(INH)}$	\overline{INT}_i input high level pulse width	Edge sensitive	250		ns
		Level sensitive	$t_{c(CPU)} + 200$		ns
$t_{w(INL)}$	\overline{INT}_i input low level pulse width	Edge sensitive	250		ns
		Level sensitive	$t_{c(CPU)} + 200$		ns

Table 5.33 Intelligent I/O

Symbol	Characteristic	Value		Unit
		Min.	Max.	
$t_{c(ISCLK2)}$	ISCLK2 input clock cycle time	600		ns
$t_{w(ISCLK2H)}$	ISCLK2 input high level pulse width	270		ns
$t_{w(ISCLK2L)}$	ISCLK2 input low level pulse width	270		ns
$t_{su(RXD-ISCLK2)}$	ISRXD2 input setup time	150		ns
$t_{h(ISCLK2-RXD)}$	ISRXD2 input hold time	100		ns

$$V_{CC1} = V_{CC2} = 5 \text{ V}$$

Switching Characteristics ($V_{CC1} = V_{CC2} = 4.2$ to 5.5 V , $V_{SS} = 0 \text{ V}$, and $T_a = T_{opr}$, unless otherwise noted)

Table 5.34 External Bus Timing (separate bus)

Symbol	Characteristic	Measurement Condition	Value		Unit
			Min.	Max.	
$t_{su(S-R)}$	Chip-select setup time before read	Refer to Figure 5.6	(1)		ns
$t_{h(R-S)}$	Chip-select hold time after read		$t_{c(Base)} - 10$		ns
$t_{su(A-R)}$	Address setup time before read		(1)		ns
$t_{h(R-A)}$	Address hold time after read		$t_{c(Base)} - 10$		ns
$t_{w(R)}$	Read pulse width		(1)		ns
$t_{su(S-W)}$	Chip-select setup time before write		(1)		ns
$t_{h(W-S)}$	Chip-select hold time after write		$1.5 \times t_{c(Base)} - 10$		ns
$t_{su(A-W)}$	Address setup time before write		(1)		ns
$t_{h(W-A)}$	Address hold time after write		$1.5 \times t_{c(Base)} - 10$		ns
$t_{w(W)}$	Write pulse width		(1)		ns
$t_{su(D-W)}$	Data setup time before write		(1)		ns
$t_{h(W-D)}$	Data hold time after write		0		ns

Note:

- The value is calculated using the formulas below based on the base clock cycles ($t_{c(Base)}$) and respective cycles of $T_{su(A-R)}$, $T_w(R)$, $T_{su(A-W)}$, and $T_w(W)$ set by registers EBC0 to EBC3. If the calculation results in a negative value, modify the value to be set. For details on how to set values, refer to the User's manual.

$$t_{su(S-R)} = t_{su(A-R)} = T_{su(A-R)} \times t_{c(Base)} - 15 \text{ [ns]}$$

$$t_{w(R)} = T_w(R) \times t_{c(Base)} - 10 \text{ [ns]}$$

$$t_{su(S-W)} = t_{su(A-W)} = T_{su(A-W)} \times t_{c(Base)} - 15 \text{ [ns]}$$

$$t_{w(W)} = t_{su(D-W)} = T_w(W) \times t_{c(Base)} - 10 \text{ [ns]}$$

$$V_{CC1} = V_{CC2} = 5 \text{ V}$$

Switching Characteristics ($V_{CC1} = V_{CC2} = 4.2$ to 5.5 V , $V_{SS} = 0 \text{ V}$, and $T_a = T_{opr}$, unless otherwise noted)

Table 5.35 External Bus Timing (multiplexed bus)

Symbol	Characteristic	Measurement Condition	Value		Unit
			Min.	Max.	
$t_{su(S-ALE)}$	Chip-select setup time before ALE	Refer to Figure 5.6	(1)		ns
$t_{h(R-S)}$	Chip-select hold time after read		$1.5 \times t_{c(Base)} - 10$		ns
$t_{su(A-ALE)}$	Address setup time before ALE		(1)		ns
$t_{h(ALE-A)}$	Address hold time after ALE		$0.5 \times t_{c(Base)} - 5$		ns
$t_{h(R-A)}$	Address hold time after read		$1.5 \times t_{c(Base)} - 10$		ns
$t_{d(ALE-R)}$	ALE-read delay time		$0.5 \times t_{c(Base)} - 5$	$0.5 \times t_{c(Base)} + 10$	ns
$t_{w(ALE)}$	ALE pulse width		(1)		ns
$t_{dis(R-A)}$	Address disable time after read			8	ns
$t_{w(R)}$	Read pulse width		(1)		ns
$t_{h(W-S)}$	Chip-select hold time after write		$1.5 \times t_{c(Base)} - 10$		ns
$t_{h(W-A)}$	Address hold time after write		$1.5 \times t_{c(Base)} - 10$		ns
$t_{d(ALE-W)}$	ALE-write delay time		$0.5 \times t_{c(Base)} - 5$	$0.5 \times t_{c(Base)} + 10$	ns
$t_{w(W)}$	Write pulse width		(1)		ns
$t_{su(D-W)}$	Data setup time before write		(1)		ns
$t_{h(W-D)}$	Data hold time after write		$0.5 \times t_{c(Base)}$		ns

Note:

- The value is calculated using the formulas below based on the base clock cycles ($t_{c(Base)}$) and respective cycles of $T_{su(A-R)}$, $T_{w(R)}$, $T_{su(A-W)}$, and $T_{w(W)}$ set by registers EBC0 to EBC3. If the calculation results in a negative value, modify the value to be set. For details on how to set values, refer to the User's manual.

$$t_{su(S-ALE)} = t_{su(A-ALE)} = t_{w(ALE)} = (T_{su(A-R)} - 0.5) \times t_{c(Base)} - 15 \text{ [ns]}$$

$$t_{w(R)} = T_{w(R)} \times t_{c(Base)} - 10 \text{ [ns]}$$

$$t_{w(W)} = t_{su(D-W)} = T_{w(W)} \times t_{c(Base)} - 10 \text{ [ns]}$$

$$V_{CC1} = V_{CC2} = 5 \text{ V}$$

Switching Characteristics ($V_{CC1} = V_{CC2} = 4.2$ to 5.5 V , $V_{SS} = 0 \text{ V}$, and $T_a = T_{opr}$, unless otherwise noted)

Table 5.36 Serial Interface

Symbol	Characteristic	Measurement Condition	Value		Unit
			Min.	Max.	
$t_{d(C-Q)}$	TXDi output delay time	Refer to Figure 5.6		80	ns
$t_{h(C-Q)}$	TXDi output hold time		0		ns

Table 5.37 Intelligent I/O

Symbol	Characteristic	Measurement Condition	Value		Unit
			Min.	Max.	
$t_{d(ISCLK2-TXD)}$	ISTXD2 output delay time	Refer to Figure 5.6		180	ns
$t_{h(ISCLK2-RXD)}$	ISTXD2 output hold time		0		ns

$$V_{CC1} = V_{CC2} = 3.3 \text{ V}$$

Table 5.38 Electrical Characteristics (1/3) ($V_{CC1} = V_{CC2} = 3.0$ to 3.6 V , $V_{SS} = 0 \text{ V}$, $T_a = T_{opr}$, and $f_{(CPU)} = 50 \text{ MHz}$, unless otherwise noted)

Symbol	Characteristic		Measurement Condition	Value (2)			Unit
				Min.	Typ.	Max.	
V _{OH}	High level output voltage	P0_0 to P0_7, P1_0 to P1_7, P2_0 to P2_7, P3_0 to P3_7, P4_0 to P4_7, P5_0 to P5_7 (1)	I _{OH} = -1 mA	V _{CC2} - 0.6		V _{CC2}	V
		P6_0 to P6_7, P7_2 to P7_7, P8_0 to P8_4, P8_6, P8_7, P9_3 to P9_7, P10_0 to P10_7 (1)	I _{OH} = -1 mA	V _{CC1} - 0.6		V _{CC1}	V
V _{OL}	Low level output voltage	P0_0 to P0_7, P1_0 to P1_7, P2_0 to P2_7, P3_0 to P3_7, P4_0 to P4_7, P5_0 to P5_7, P6_0 to P6_7, P7_0 to P7_7, P8_0 to P8_4, P8_6, P8_7, P9_3 to P9_7, P10_0 to P10_7 (1)	I _{OL} = 1 mA			0.5	V

Notes:

1. Ports P0_4 to P0_7, P1_0 to P1_4, P3_4 to P3_7, P4, P5, and P9_4 to P9_7 are available in the 100-pin package only.
2. The V_{CC2} pin is available in the 100-pin package only. It should be considered as V_{CC1} in the 64-pin package.

$$V_{CC1} = V_{CC2} = 3.3 \text{ V}$$

Table 5.39 Electrical Characteristics (2/3) ($V_{CC1} = V_{CC2} = 3.0$ to 3.6 V , $V_{SS} = 0 \text{ V}$, $T_a = T_{opr}$, and $f_{(CPU)} = 50 \text{ MHz}$, unless otherwise noted)

Symbol	Characteristic		Measurement Condition	Value			Unit
				Min.	Typ.	Max.	
$V_{T+} - V_{T-}$	Hysteresis	HOLD, RDY, NMI, INT0 to INT5, KI0 to KI3, TA0IN to TA4IN, TA0OUT to TA4OUT, TB0IN to TB5IN, CTS0 to CTS8, CLK0 to CLK8, RXD0 to RXD8, SCL0 to SCL6, SDA0 to SDA6, SS0 to SS6, SRXD0 to SRXD6, ADTRG, IIO0_0 to IIO0_7, IIO1_0 to IIO1_7, UD0A, UD0B, UD1A, UD1B, ISCLK2, ISRXD2, IEIN (1)		0.2		1.0	V
		RESET		0.2		1.8	V
I_{IH}	High level input current	XIN, RESET, CNVSS, NSD, P0_0 to P0_7, P1_0 to P1_7, P2_0 to P2_7, P3_0 to P3_7, P4_0 to P4_7, P5_0 to P5_7, P6_0 to P6_7, P7_0 to P7_7, P8_0 to P8_7, P9_1, P9_3 to P9_7, P10_0 to P10_7 (2)	$V_I = 3.3 \text{ V}$			4.0	μA
I_{IL}	Low level input current	XIN, RESET, CNVSS, NSD, P0_0 to P0_7, P1_0 to P1_7, P2_0 to P2_7, P3_0 to P3_7, P4_0 to P4_7, P5_0 to P5_7, P6_0 to P6_7, P7_0 to P7_7, P8_0 to P8_7, P9_1, P9_3 to P9_7, P10_0 to P10_7 (2)	$V_I = 0 \text{ V}$			-4.0	μA
R_{PULLUP}	Pull-up resistor	P0_0 to P0_7, P1_0 to P1_7, P2_0 to P2_7, P3_0 to P3_7, P4_0 to P4_7, P5_0 to P5_7, P6_0 to P6_7, P7_2 to P7_7, P8_0 to P8_4, P8_6, P8_7, P9_1, P9_3 to P9_7, P10_0 to P10_7 (2)	$V_I = 0 \text{ V}$	50	100	500	$\text{k}\Omega$
R_{fXIN}	Feedback resistor	XIN			3		$\text{M}\Omega$
R_{fXCIN}	Feedback resistor	XCIN			25		$\text{M}\Omega$

Notes:

1. Pins TB4IN, CTS4, CLK4, RXD4, SCL4, SDA4, SS4, SRXD4, and UART6, and UART7 are available in the 100-pin package only.
2. Ports P0_4 to P0_7, P1_0 to P1_4, P3_4 to P3_7, P4, P5, P9_1, and P9_4 to P9_7 are available in the 100-pin package only.

$$V_{CC1} = V_{CC2} = 3.3 \text{ V}$$

Table 5.40 Electrical Characteristics (3/3)

($V_{CC1} = V_{CC2} = 3.0$ to 3.6 V , $V_{SS} = 0 \text{ V}$, and $T_a = T_{opr}$, unless otherwise noted)

Symbol	Characteristic	Measurement Condition	Value			Unit	
			Min.	Typ.	Max.		
I_{CC}	Power supply current	In single-chip mode, output pins are left open and others are connected to V_{SS}	$f_{(CPU)} = 50 \text{ MHz}$, $f_{(BCLK)} = 25 \text{ MHz}$, $f_{(XIN)} = 8 \text{ MHz}$, Active: XIN, PLL, Stopped: XCIN, OCO		28	40	mA
		XIN-XOUT Drive strength: low	$f_{(CPU)} = f_{SO(PLL)}/24 \text{ MHz}$, Active: PLL (self-oscillation), Stopped: XIN, XCIN, OCO		7		mA
		XCIN-XCOUT Drive strength: low	$f_{(CPU)} = f_{(BCLK)} = f_{(XIN)}/256 \text{ MHz}$, $f_{(XIN)} = 8 \text{ MHz}$, Active: XIN, Stopped: PLL, XCIN, OCO		670		μA
			$f_{(CPU)} = f_{(BCLK)} = 32.768 \text{ kHz}$, Active: XCIN, Stopped: XIN, PLL, OCO, Main regulator: shutdown		180		μA
			$f_{(CPU)} = f_{(BCLK)} = f_{(OCO)}/4 \text{ kHz}$, Active: OCO, Stopped: XIN, PLL, XCIN, Main regulator: shutdown		190		μA
			$f_{(CPU)} = f_{(BCLK)} = f_{(XIN)}/256 \text{ MHz}$, $f_{(XIN)} = 8 \text{ MHz}$, Active: XIN, Stopped: PLL, XCIN, OCO, $T_a = 25^\circ\text{C}$, Wait mode		500	900	μA
			$f_{(CPU)} = f_{(BCLK)} = 32.768 \text{ kHz}$, Active: XCIN, Stopped: XIN, PLL, OCO, Main regulator: shutdown, $T_a = 25^\circ\text{C}$, Wait mode		8	140	μA
			$f_{(CPU)} = f_{(BCLK)} = f_{(OCO)}/4 \text{ kHz}$, Active: OCO, Stopped: XIN, PLL, XCIN, Main regulator: shutdown, $T_a = 25^\circ\text{C}$, Wait mode		10	150	μA
			Stopped: all clocks, Main regulator: shutdown, $T_a = 25^\circ\text{C}$		5	70	μA

$$V_{CC1} = V_{CC2} = 3.3 \text{ V}$$

**Table 5.41 A/D Conversion Characteristics ($V_{CC1} = V_{CC2} = AV_{CC} = V_{REF} = 3.0$ to 3.6 V ,
 $V_{SS} = AV_{SS} = 0 \text{ V}$, $T_a = T_{opr}$, and $f_{(BCLK)} = 25 \text{ MHz}$, unless otherwise noted)**

Symbol	Characteristic	Measurement Condition	Value			Unit	
			Min.	Typ.	Max.		
—	Resolution	$V_{REF} = V_{CC1}$			10	Bits	
—	Absolute error	$V_{REF} = V_{CC1} = V_{CC2} = 3.3 \text{ V}$	AN_0 to AN_7, AN0_0 to AN0_7, AN2_0 to AN2_7, ANEX0, ANEX1 (1)			±5	LSB
			External op-amp connection mode			±7	LSB
INL	Integral non-linearity error	$V_{REF} = V_{CC1} = V_{CC2} = 3.3 \text{ V}$	AN_0 to AN_7, AN0_0 to AN0_7, AN2_0 to AN2_7, ANEX0, ANEX1 (1)			±5	LSB
			External op-amp connection mode			±7	LSB
DNL	Differential non- linearity error	$V_{REF} = V_{CC1} = V_{CC2} = 3.3 \text{ V}$			±1	LSB	
—	Offset error				±3	LSB	
—	Gain error				±3	LSB	
R_{LADDER}	Resistor ladder	$V_{REF} = V_{CC1}$	4		20	k Ω	
t_{CONV}	Conversion time (10 bits)	$\phi_{AD} = 10 \text{ MHz}$, with sample and hold function	3.3			μs	
t_{CONV}	Conversion time (8 bits)	$\phi_{AD} = 10 \text{ MHz}$, with sample and hold function	2.8			μs	
t_{SAMP}	Sampling time	$\phi_{AD} = 10 \text{ MHz}$	0.3			μs	
V_{IA}	Analog input voltage		0		V_{REF}	V	
ϕ_{AD}	Operating clock frequency	Without sample and hold function	0.25		10	MHz	
		With sample and hold function	1		10	MHz	

Note:

1. Pins AN0_4 to AN0_7, ANEX0, and ANEX1 are available in the 100-pin package only.

$$V_{CC1} = V_{CC2} = 3.3 \text{ V}$$

**Table 5.42 D/A Conversion Characteristics ($V_{CC1} = V_{CC2} = AV_{CC} = V_{REF} = 3.0$ to 3.6 V ,
 $V_{SS} = AV_{SS} = 0 \text{ V}$, and $T_a = T_{opr}$, unless otherwise noted)**

Symbol	Characteristic	Measurement Condition	Value			Unit
			Min.	Typ.	Max.	
—	Resolution				8	Bits
—	Absolute precision				1.0	%
t_s	Settling time				3	μs
R_O	Output resistance		4	10	20	$\text{k}\Omega$
I_{VREF}	Reference input current	See Note 1			1.0	mA

Note:

- One D/A converter is used. The DAi register ($i = 0, 1$) of the other unused converter is set to 00h. The resistor ladder for the A/D converter is not considered.
Even when the VCUT bit in the AD0CON1 register is set to 0 (V_{REF} disconnected), I_{VREF} is supplied.

$$V_{CC1} = V_{CC2} = 3.3 \text{ V}$$

Timing Requirements ($V_{CC1} = V_{CC2} = 3.0$ to 3.6 V , $V_{SS} = 0 \text{ V}$, and $T_a = T_{opr}$, unless otherwise noted)

Table 5.43 External Clock Input

Symbol	Characteristic	Value		Unit
		Min.	Max.	
$t_{C(X)}$	External clock input period	62.5	250	ns
$t_{W(XH)}$	External clock input high level pulse width	25		ns
$t_{W(XL)}$	External clock input low level pulse width	25		ns
$t_{r(X)}$	External clock input rise time		5	ns
$t_{f(X)}$	External clock input fall time		5	ns
t_W / t_C	External clock input duty	40	60	%

Table 5.44 External Bus Timing

Symbol	Characteristic	Value		Unit
		Min.	Max.	
$t_{su(D-R)}$	Data setup time before read	40		ns
$t_{h(R-D)}$	Data hold time after read	0		ns
$t_{dis(R-D)}$	Data disable time after read		$0.5 \times t_{C(Base)} + 10$	ns

$$V_{CC1} = V_{CC2} = 3.3 \text{ V}$$

Timing Requirements ($V_{CC1} = V_{CC2} = 3.0$ to 3.6 V , $V_{SS} = 0 \text{ V}$, and $T_a = T_{opr}$, unless otherwise noted)

Table 5.45 Timer A Input (counting input in event counter mode)

Symbol	Characteristic	Value		Unit
		Min.	Max.	
$t_{c(TA)}$	TAiIN input clock cycle time	200		ns
$t_{w(TAH)}$	TAiIN input high level pulse width	80		ns
$t_{w(TAL)}$	TAiIN input low level pulse width	80		ns

Table 5.46 Timer A Input (gating input in timer mode)

Symbol	Characteristic	Value		Unit
		Min.	Max.	
$t_{c(TA)}$	TAiIN input clock cycle time	400		ns
$t_{w(TAH)}$	TAiIN input high level pulse width	180		ns
$t_{w(TAL)}$	TAiIN input low level pulse width	180		ns

Table 5.47 Timer A Input (external trigger input in one-shot timer mode)

Symbol	Characteristic	Value		Unit
		Min.	Max.	
$t_{c(TA)}$	TAiIN input clock cycle time	200		ns
$t_{w(TAH)}$	TAiIN input high level pulse width	80		ns
$t_{w(TAL)}$	TAiIN input low level pulse width	80		ns

Table 5.48 Timer A Input (external trigger input in pulse-width modulation mode)

Symbol	Characteristic	Value		Unit
		Min.	Max.	
$t_{w(TAH)}$	TAiIN input high level pulse width	80		ns
$t_{w(TAL)}$	TAiIN input low level pulse width	80		ns

Table 5.49 Timer A Input (increment/decrement switching input in event counter mode)

Symbol	Characteristic	Value		Unit
		Min.	Max.	
$t_{c(UP)}$	TAiOUT input clock cycle time	2000		ns
$t_{w(UPH)}$	TAiOUT input high level pulse width	1000		ns
$t_{w(UPL)}$	TAiOUT input low level pulse width	1000		ns
$t_{su(UP-TIN)}$	TAiOUT input setup time	400		ns
$t_h(TIN-UP)$	TAiOUT input hold time	400		ns

$$V_{CC1} = V_{CC2} = 3.3 \text{ V}$$

Timing Requirements ($V_{CC1} = V_{CC2} = 3.0$ to 3.6 V , $V_{SS} = 0 \text{ V}$, and $T_a = T_{opr}$, unless otherwise noted)

Table 5.50 Timer B Input (counting input in event counter mode)

Symbol	Characteristic	Value		Unit
		Min.	Max.	
$t_{c(TB)}$	TBiIN input clock cycle time (one edge counting)	200		ns
$t_{w(TBH)}$	TBiIN input high level pulse width (one edge counting)	80		ns
$t_{w(TBL)}$	TBiIN input low level pulse width (one edge counting)	80		ns
$t_{c(TB)}$	TBiIN input clock cycle time (both edges counting)	200		ns
$t_{w(TBH)}$	TBiIN input high level pulse width (both edges counting)	80		ns
$t_{w(TBL)}$	TBiIN input low level pulse width (both edges counting)	80		ns

Table 5.51 Timer B Input (pulse period measure mode)

Symbol	Characteristic	Value		Unit
		Min.	Max.	
$t_{c(TB)}$	TBiIN input clock cycle time	400		ns
$t_{w(TBH)}$	TBiIN input high level pulse width	180		ns
$t_{w(TBL)}$	TBiIN input low level pulse width	180		ns

Table 5.52 Timer B Input (pulse-width measure mode)

Symbol	Characteristic	Value		Unit
		Min.	Max.	
$t_{c(TB)}$	TBiIN input clock cycle time	400		ns
$t_{w(TBH)}$	TBiIN input high level pulse width	180		ns
$t_{w(TBL)}$	TBiIN input low level pulse width	180		ns

$$V_{CC1} = V_{CC2} = 3.3 \text{ V}$$

Timing Requirements ($V_{CC1} = V_{CC2} = 3.0$ to 3.6 V , $V_{SS} = 0 \text{ V}$, and $T_a = T_{opr}$, unless otherwise noted)

Table 5.53 Serial Interface

Symbol	Characteristic	Value		Unit
		Min.	Max.	
$t_{c(CK)}$	CLKi input clock cycle time	200		ns
$t_{w(CKH)}$	CLKi input high level pulse width	80		ns
$t_{w(CKL)}$	CLKi input low level pulse width	80		ns
$t_{su(D-C)}$	RXDi input setup time	80		ns
$t_{h(C-D)}$	RXDi input hold time	90		ns

Table 5.54 A/D Trigger Input

Symbol	Characteristic	Value		Unit
		Min.	Max.	
$t_{w(ADH)}$	ADTRG input high level pulse width Hardware trigger input high level pulse width	$\frac{3}{\phi_{AD}}$		ns
$t_{w(ADL)}$	ADTRG input low level pulse width Hardware trigger input high level pulse width	125		ns

Table 5.55 External Interrupt \overline{INTi} Input

Symbol	Characteristic		Value		Unit
			Min.	Max.	
$t_{w(INH)}$	\overline{INTi} input high level pulse width	Edge sensitive	250		ns
		Level sensitive	$t_{c(CPU)} + 200$		ns
$t_{w(INL)}$	\overline{INTi} input low level pulse width	Edge sensitive	250		ns
		Level sensitive	$t_{c(CPU)} + 200$		ns

Table 5.56 Intelligent I/O

Symbol	Characteristic	Value		Unit
		Min.	Max.	
$t_{c(ISCLK2)}$	ISCLK2 input clock cycle time	600		ns
$t_{w(ISCLK2H)}$	ISCLK2 input high level pulse width	270		ns
$t_{w(ISCLK2L)}$	ISCLK2 input low level pulse width	270		ns
$t_{su(RXD-ISCLK2)}$	ISRXD2 input setup time	150		ns
$t_{h(ISCLK2-RXD)}$	ISRXD2 input hold time	100		ns

$$V_{CC1} = V_{CC2} = 3.3 \text{ V}$$

Switching Characteristics ($V_{CC1} = V_{CC2} = 3.0$ to 3.6 V , $V_{SS} = 0 \text{ V}$, and $T_a = T_{opr}$, unless otherwise noted)

Table 5.57 External Bus Timing (separate bus)

Symbol	Characteristic	Measurement Condition	Value		Unit
			Min.	Max.	
$t_{su(S-R)}$	Chip-select setup time before read	Refer to Figure 5.6	(1)		ns
$t_{h(R-S)}$	Chip-select hold time after read		$t_{c(Base)} - 10$		ns
$t_{su(A-R)}$	Address setup time before read		(1)		ns
$t_{h(R-A)}$	Address hold time after read		$t_{c(Base)} - 10$		ns
$t_{w(R)}$	Read pulse width		(1)		ns
$t_{su(S-W)}$	Chip-select setup time before write		(1)		ns
$t_{h(W-S)}$	Chip-select hold time after write		$1.5 \times t_{c(Base)} - 10$		ns
$t_{su(A-W)}$	Address setup time before write		(1)		ns
$t_{h(W-A)}$	Address hold time after write		$1.5 \times t_{c(Base)} - 10$		ns
$t_{w(W)}$	Write pulse width		(1)		ns
$t_{su(D-W)}$	Data setup time before write		(1)		ns
$t_{h(W-D)}$	Data hold time after write		0		ns

Note:

- The value is calculated using the formulas below based on the base clock cycles ($t_{c(Base)}$) and respective cycles of $T_{su(A-R)}$, $T_{w(R)}$, $T_{su(A-W)}$, and $T_{w(W)}$ set by registers EBC0 to EBC3. If the calculation results in a negative value, modify the value to be set. For details on how to set values, refer to the User's manual.

$$t_{su(S-R)} = t_{su(A-R)} = T_{su(A-R)} \times t_{c(Base)} - 15 \text{ [ns]}$$

$$t_{w(R)} = T_{w(R)} \times t_{c(Base)} - 10 \text{ [ns]}$$

$$t_{su(S-W)} = t_{su(A-W)} = T_{su(A-W)} \times t_{c(Base)} - 15 \text{ [ns]}$$

$$t_{w(W)} = t_{su(D-W)} = T_{w(W)} \times t_{c(Base)} - 10 \text{ [ns]}$$

$$V_{CC1} = V_{CC2} = 3.3 \text{ V}$$

Switching Characteristics ($V_{CC1} = V_{CC2} = 3.0$ to 3.6 V , $V_{SS} = 0 \text{ V}$, and $T_a = T_{opr}$, unless otherwise noted)

Table 5.58 External Bus Timing (multiplexed bus)

Symbol	Characteristic	Measurement Condition	Value		Unit
			Min.	Max.	
$t_{su(S-ALE)}$	Chip-select setup time before ALE	Refer to Figure 5.6	(1)		ns
$t_{h(R-S)}$	Chip-select hold time after read		$1.5 \times t_{c(Base)} - 10$		ns
$t_{su(A-ALE)}$	Address setup time before ALE		(1)		ns
$t_{h(ALE-A)}$	Address hold time after ALE		$0.5 \times t_{c(Base)} - 5$		ns
$t_{h(R-A)}$	Address hold time after read		$1.5 \times t_{c(Base)} - 10$		ns
$t_{d(ALE-R)}$	ALE-read delay time		$0.5 \times t_{c(Base)} - 5$	$0.5 \times t_{c(Base)} + 10$	ns
$t_{w(ALE)}$	ALE pulse width		(1)		ns
$t_{dis(R-A)}$	Address disable time after read			8	ns
$t_{w(R)}$	Read pulse width		(1)		ns
$t_{h(W-S)}$	Chip-select hold time after write		$1.5 \times t_{c(Base)} - 10$		ns
$t_{h(W-A)}$	Address hold time after write		$1.5 \times t_{c(Base)} - 10$		ns
$t_{d(ALE-W)}$	ALE-write delay time		$0.5 \times t_{c(Base)} - 5$	$0.5 \times t_{c(Base)} + 10$	ns
$t_{w(W)}$	Write pulse width		(1)		ns
$t_{su(D-W)}$	Data setup time before write		(1)		ns
$t_{h(W-D)}$	Data hold time after write		$0.5 \times t_{c(Base)}$		ns

Note:

- The value is calculated using the formulas below based on the base clock cycles ($t_{c(Base)}$) and respective cycles of $T_{su(A-R)}$, $T_{w(R)}$, $T_{su(A-W)}$, and $T_{w(W)}$ set by registers EBC0 to EBC3. If the calculation results in a negative value, modify the value to be set. For details on how to set values, refer to the User's manual.

$$t_{su(S-ALE)} = t_{su(A-ALE)} = t_{w(ALE)} = (T_{su(A-R)} - 0.5) \times t_{c(Base)} - 15 \text{ [ns]}$$

$$t_{w(R)} = T_{w(R)} \times t_{c(Base)} - 10 \text{ [ns]}$$

$$t_{w(W)} = t_{su(D-W)} = T_{w(W)} \times t_{c(Base)} - 10 \text{ [ns]}$$

$$V_{CC1} = V_{CC2} = 3.3 \text{ V}$$

Switching Characteristics ($V_{CC1} = V_{CC2} = 3.0$ to 3.6 V , $V_{SS} = 0 \text{ V}$, and $T_a = T_{opr}$, unless otherwise noted)

Table 5.59 Serial Interface

Symbol	Characteristic	Measurement Condition	Value		Unit
			Min.	Max.	
$t_{d(C-Q)}$	TXDi output delay time	Refer to Figure 5.6		80	ns
$t_{h(C-Q)}$	TXDi output hold time		0		ns

Table 5.60 Intelligent I/O

Symbol	Characteristic	Measurement Condition	Value		Unit
			Min.	Max.	
$t_{d(ISCLK2-TXD)}$	ISTXD2 output delay time	Refer to Figure 5.6		180	ns
$t_{h(ISCLK2-RXD)}$	ISTXD2 output hold time		0		ns

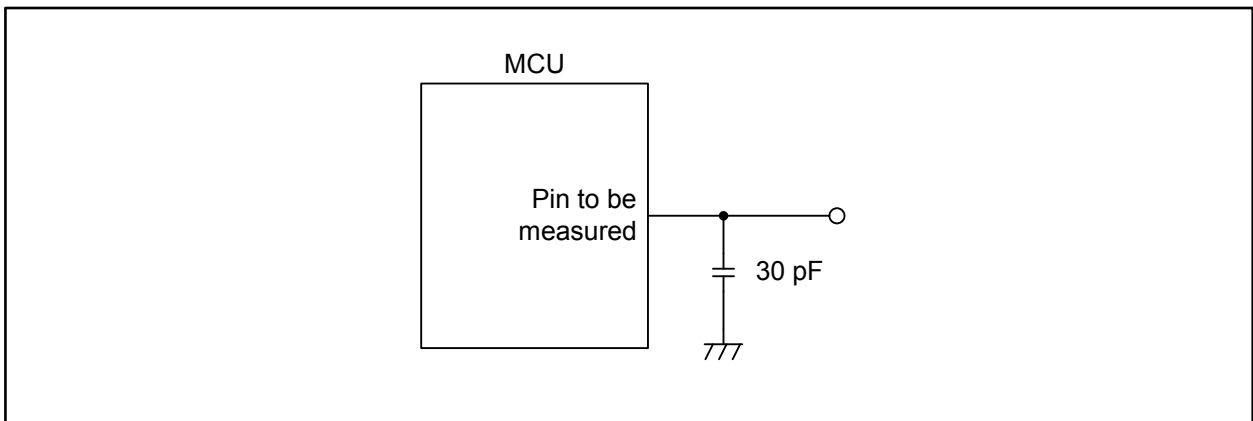


Figure 5.6 Switching Characteristic Measurement Circuit

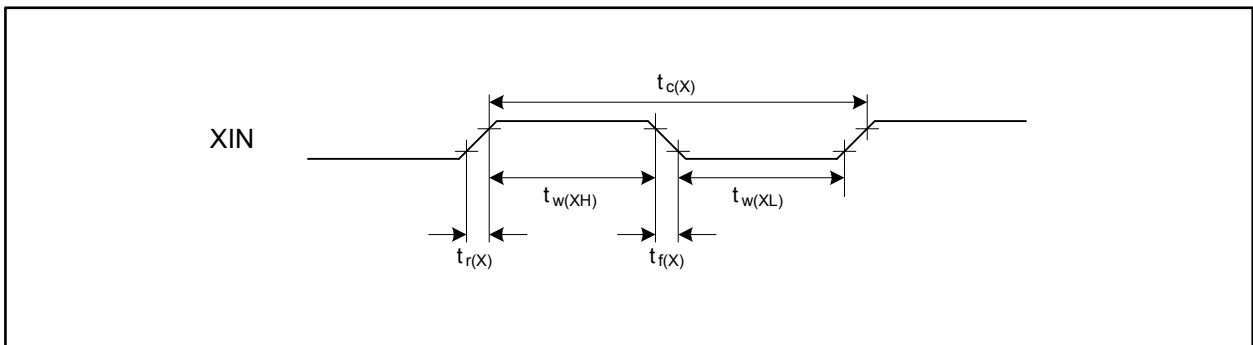


Figure 5.7 External Clock Input Timing

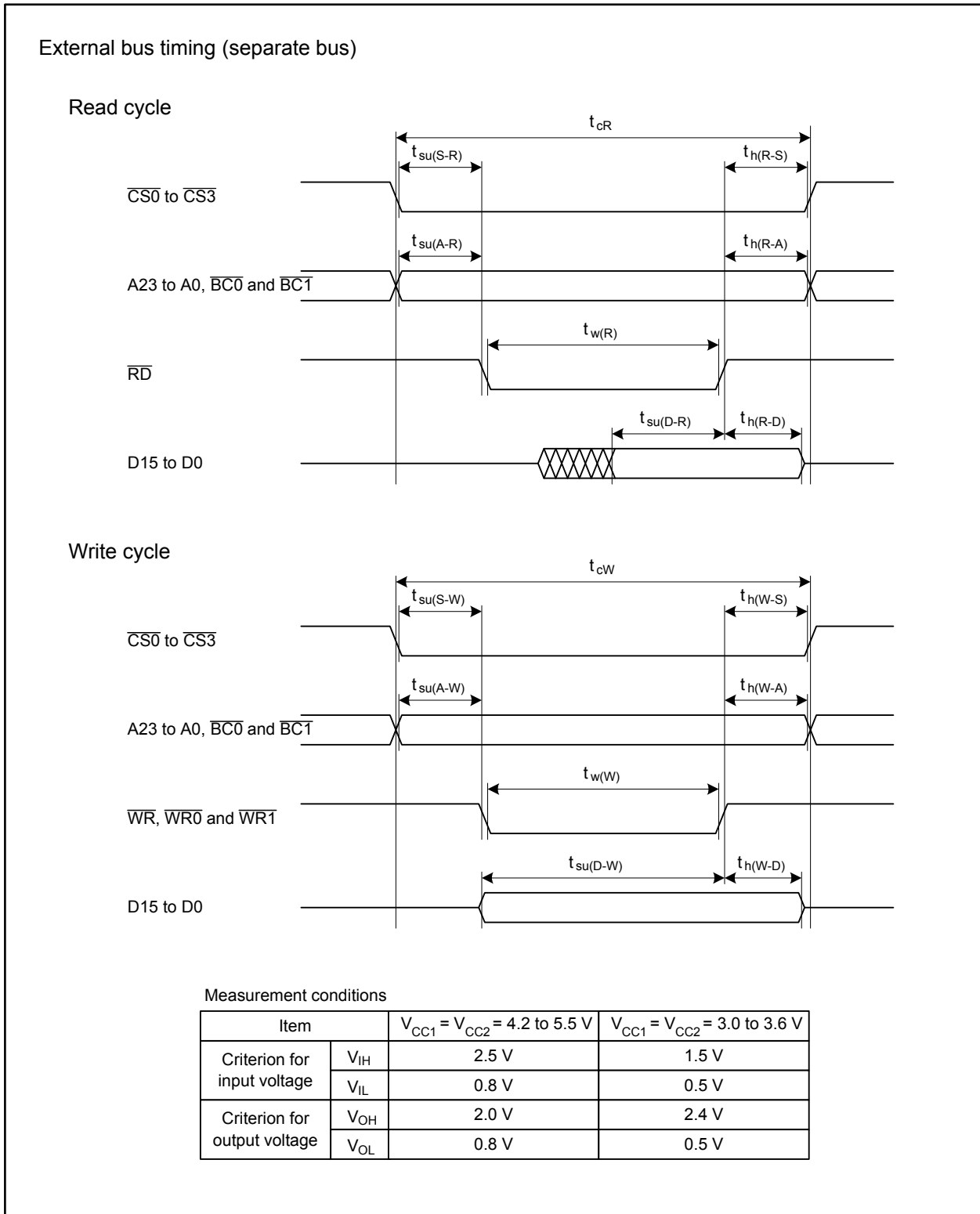


Figure 5.8 External Bus Timing for Separate Bus

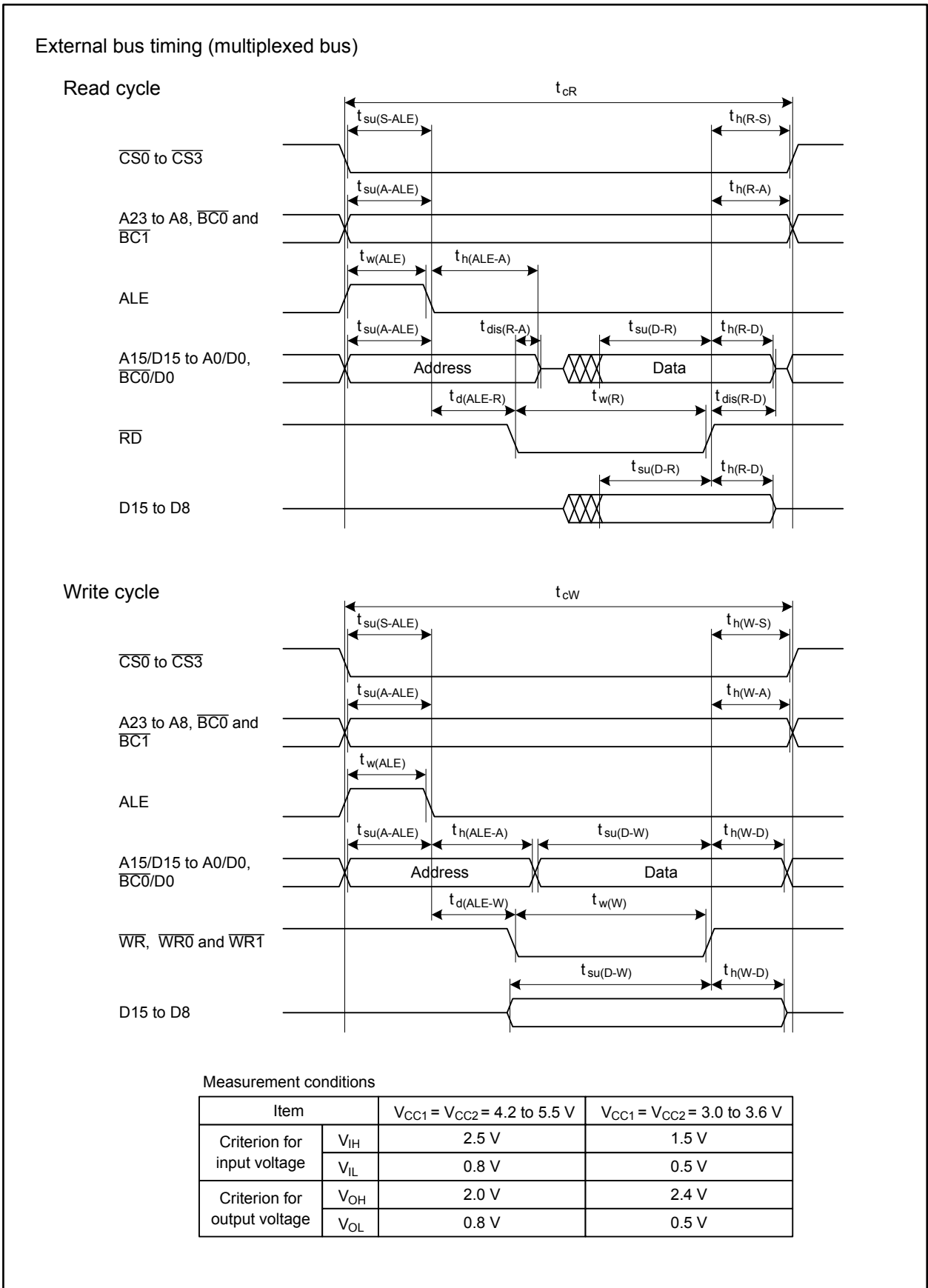


Figure 5.9 External Bus Timing for Multiplexed Bus

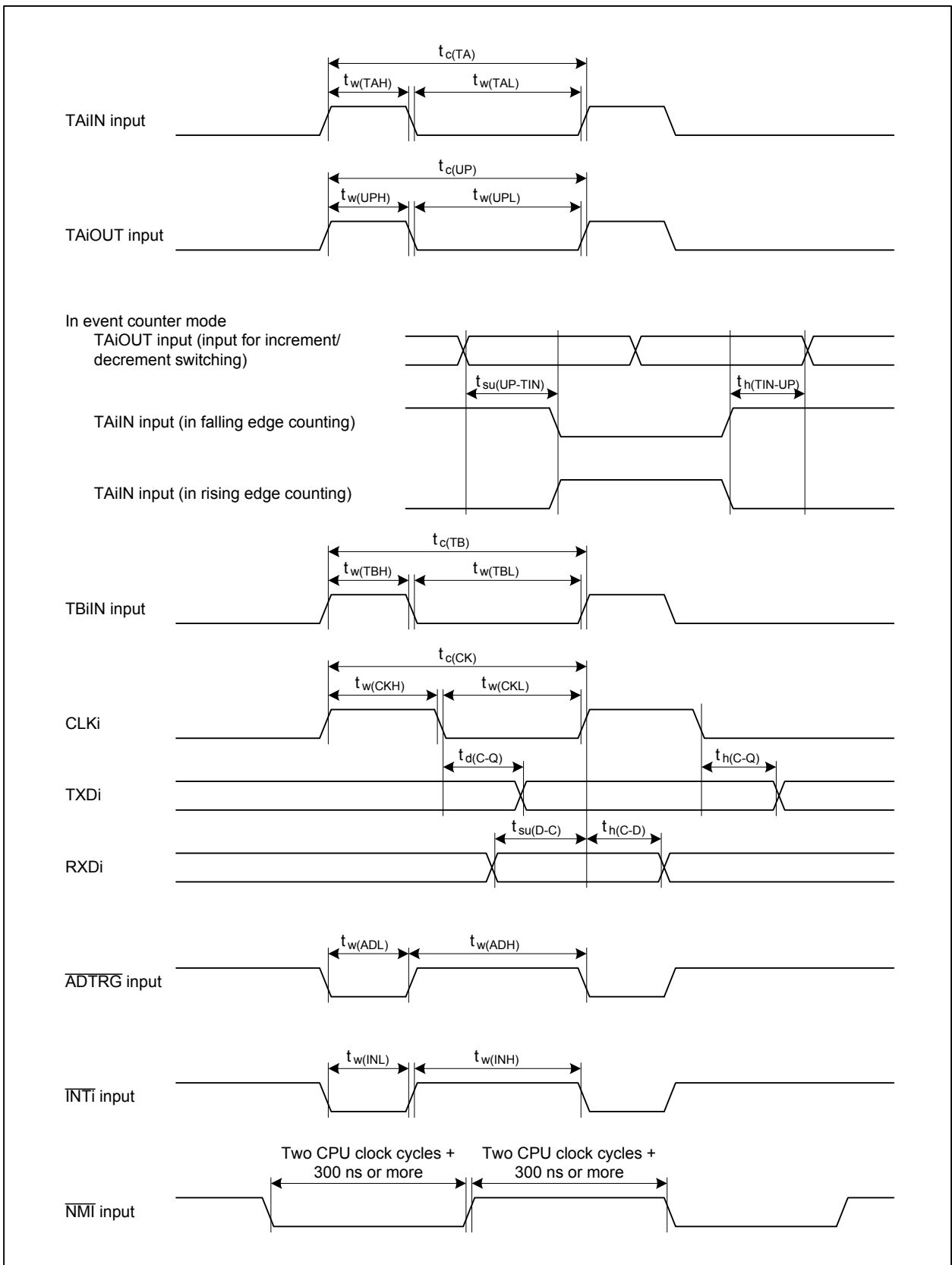
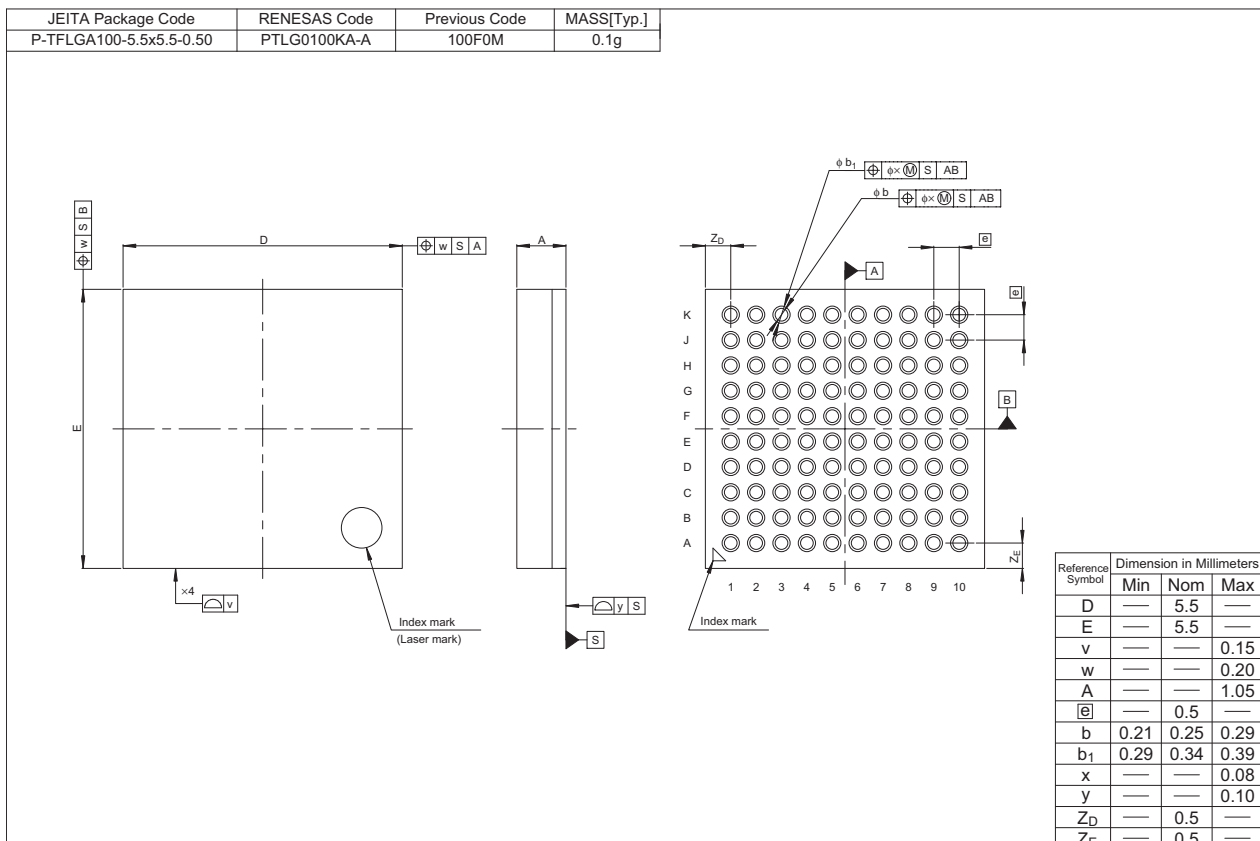
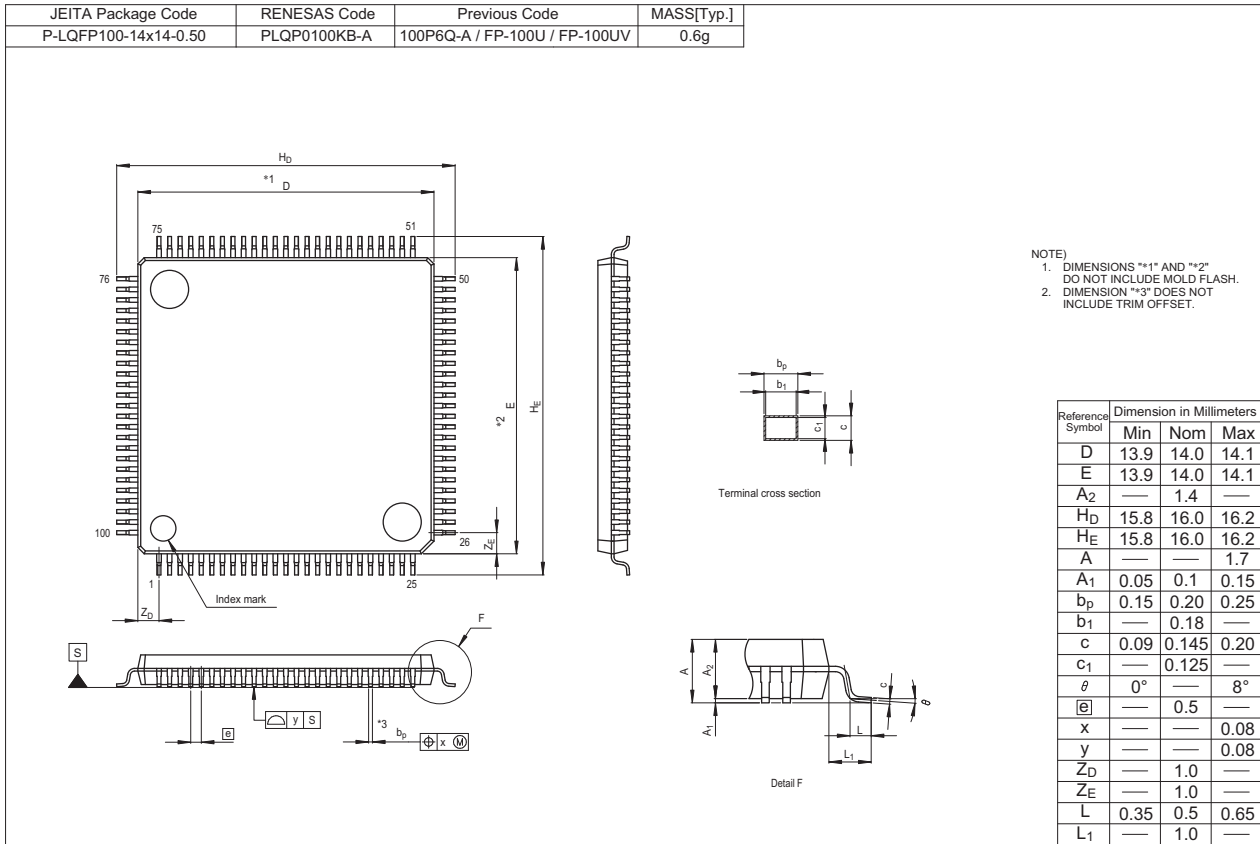
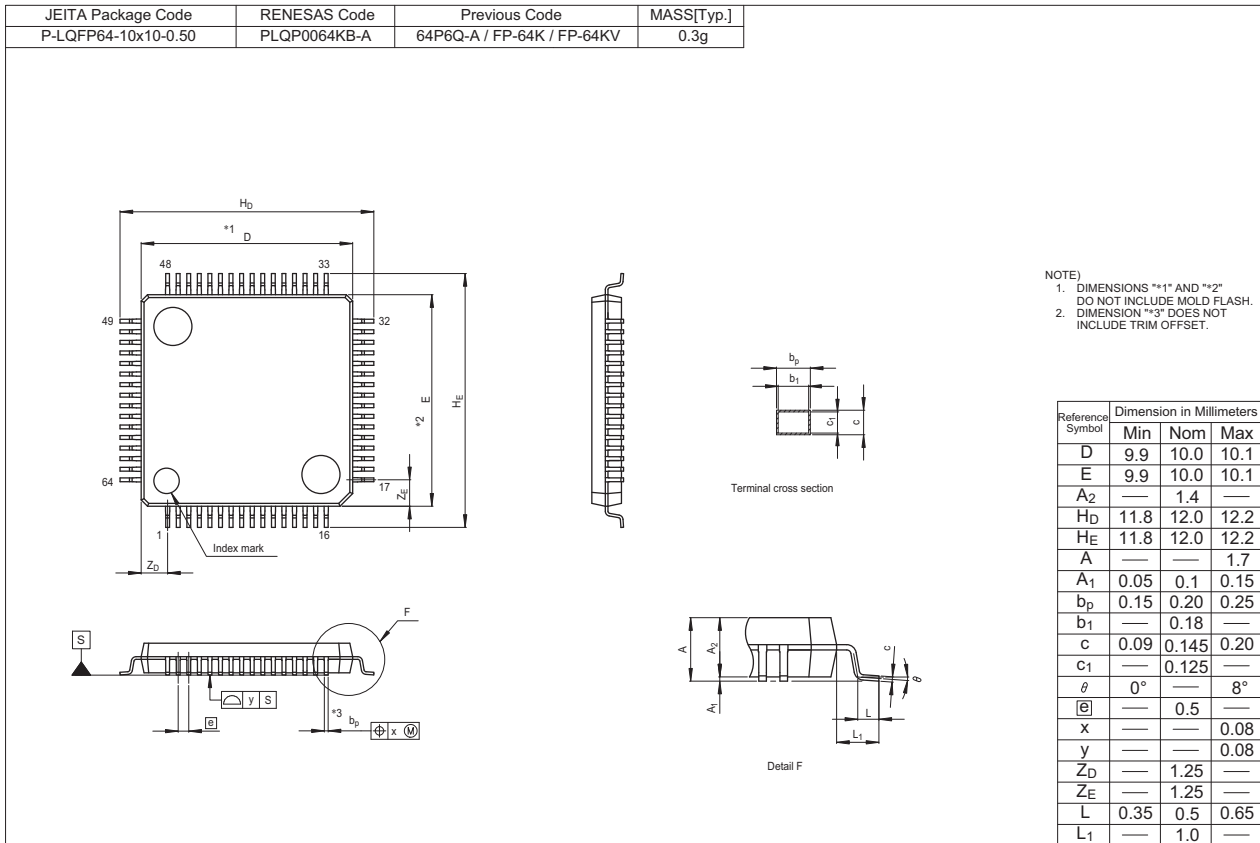


Figure 5.10 Timing of Peripherals

Appendix 1. Package Dimensions





Revision History	R32C/111 Group Datasheet
------------------	--------------------------

Rev.	Date	Description		
		Page	Summary	
0.03	Oct 17, 2007	—	Initial release	
0.30	Aug 19, 2008	—	Second edition released	
		—	The manual in general <ul style="list-style-type: none"> • Maximum operating frequency changed from 48 MHz to 50 MHz • Specification of on-chip oscillator disclosed • Microprocessor mode becomes optional • “memory-expanded mode” changed to “memory expansion mode” 	
		Chapter 1		
		1	<ul style="list-style-type: none"> • “(MCUs)” added to line 1 of 1.1 • Applications in 1.1.1 revised and modified • “Attention Users” below 1.1.1 modified to “Notes to users”; “The specification” in this box changed to “Specifications” 	
		2	<ul style="list-style-type: none"> • “instructions” in “CPU” of Table 1.1 deleted • Minimum instruction execution time in “CPU” of Table 1.1 changed • Microprocessor mode in CPU” of Table 1.1 changed to optional • “TBD” for “Voltage Detection” in Table 1.1 deleted • “3 circuits” for “Clock” in Table 1.1 changed to “4 circuits” • “Total interrupt vectors” in Table 1.1 changed to “Interrupt vectors” • Trigger sources” for DMA in Table 1.1 modified to “Request sources”; Request sources for “DMA” defined as 51 • Scribal error: “peripheral interrupt sources” for “DMACII” in Table 1.1 corrected to “peripheral interrupt source” 	
		3	<ul style="list-style-type: none"> • Unit names in Table 1.2 sorted in chapter order • Description for “A/D Converter” in Table 1.2 changed • “Operating frequency” in Table 1.2 changed from “48 MHz” to “50 MHz” • “version N” and “version D” added to “Operating Temperature” in Table 1.2; “optional” deleted • Values for “Current Consumption” in Table 1.2 added 	
		4	<ul style="list-style-type: none"> • “version N” and “version D” added to Table 1.3 • All “version N”s in Table 1.3 become on planning phase 	
		6	<ul style="list-style-type: none"> • Figure 1.2 modified 	
		7	<ul style="list-style-type: none"> • Note 2 for Figure 1.3 modified 	
		8	<ul style="list-style-type: none"> • Scribal error: “CLK5/” (pin No. 21) in Table 1.4 corrected to “CLK5” 	
11	<ul style="list-style-type: none"> • Description for “Connecting pins for decoupling capacitor”, “CNVSS”, and “Debug port” in Table 1.7 modified 			
12	<ul style="list-style-type: none"> • Some descriptions for “$\overline{WR0}/\overline{WR1}/\overline{WR}/\overline{BC0}/\overline{BC1}/\overline{RD}$” of “Bus control pins” in Table 1.8 modified 			
13, 14	<ul style="list-style-type: none"> • Functional category items in Tables 1.9 and 1.10 sorted in chapter order; Descriptions modified 			
Chapter 2				
—	<ul style="list-style-type: none"> • Descriptions for this chapter modified; Expression “DMAC-related registers”s modified to “DMAC-associated registers”s 			
15	<ul style="list-style-type: none"> • “Data register” and “Address register” in Figure 2.1 pluralized; Explanation in Notes 1 and 2 for this figure revised 			

Revision History	R32C/111 Group Datasheet
------------------	--------------------------

Rev.	Date	Description	
		Page	Summary
		15, 16	<ul style="list-style-type: none"> • “Interrupt table register” in Figure 2.1 and 2.1.6 changed to “Interrupt vector table base register”
		18	<ul style="list-style-type: none"> • Scribal error: “24 bit” in 2.2.2 corrected to “32 bit”
		19	Chapter 3 <ul style="list-style-type: none"> • Descriptions for this chapter and Figure 3.1 modified
		20	Chapter 4 <ul style="list-style-type: none"> • “(SFR)” of chapter title changed to “(SFRs)” • Description for initial paragraph of Chapter 4 modified • Reset value for CCR and PBC in Table 4.1 changed
		21, 22	<ul style="list-style-type: none"> • “UARTi Bus Collision Detection Interrupt Control Register” (i = 0 to 6) in Tables 4.2 and 4.3 changed to “UARTi Bus Collision, Start/Stop Condition Detection Interrupt Control Register” • “DMAi interrupt” in Tables 4.2 and 4.3 changed to “DMAi transfer complete interrupt”
		22	<ul style="list-style-type: none"> • Reset value for IIO3IR and IIO8IR to IIO11R in Table 4.3 modified
		25	<ul style="list-style-type: none"> • Scribal error: address “00010Fh” added to Table 4.6
		32	<ul style="list-style-type: none"> • “Upward/Downward Counting Select Register” in Table 4.13 changed to “Increment/Decrement Counting Select Register”
		38	<ul style="list-style-type: none"> • CSOP2 for address 040056h in Table 4.19 deleted • Reset value for CM3 in Table 4.19 changed
		43	<ul style="list-style-type: none"> • “DMAi Source Select Register i” in Table 4.24 changed to “DMAi Request Source Select Register i”
		—	Chapter 5 <ul style="list-style-type: none"> • This chapter newly added
		81	Appendix 1 <ul style="list-style-type: none"> • “Package Dimension” as title changed to “Package Dimensions”
		1.10	Sep 17, 2009
		—	The manual in general <ul style="list-style-type: none"> • Added 100-pin plastic molded LGA and 80- and 64-pin plastic molded LQFP packages • When new tables/figures are added for 80-/64-pin packages, add the following description: “(for the 100-pin package)” to the title of corresponding current tables/figures
		1	Chapter 1. Overview <ul style="list-style-type: none"> • Added description for 100-pin LGA and 80-/64-pin packages to lines 12 and 13 of 1.1; Added description “a maximum of” to “nine channels of serial interface”; Deleted the whole description of “Notes to users”
		2	<ul style="list-style-type: none"> • Changed minimum RAM size “40” in Table 1.1, to “32” • Modified description for “External Bus Expansion”, to Table 1.1; Moved this unit below “Clock”
		3	<ul style="list-style-type: none"> • Added “(optional)” for IEBus mode for “Intelligent I/O” in Table 1.2 • Modified description for “Flash memory” in Tables 1.2
		4-7	<ul style="list-style-type: none"> • Added “100-pin plastic molded TFLGA (PTLG0100KA-A)” to Table 1.2 • Added Tables 1.3 to 1.6 to provide specifications for 80-/64-pin packages

Revision History	R32C/111 Group Datasheet
------------------	--------------------------

Rev.	Date	Description	
		Page	Summary
		8	<ul style="list-style-type: none"> • Completed “under development” phase of part numbers R5F64110DFB, R5F64111DFB, R5F64112DFB, R5F64114DFB, R5F64115DFB, and R5F64116DFB in Table 1.7 • Added product information for 100-pin LGA and 80-/64-pin packages to Table 1.7
		9	<ul style="list-style-type: none"> • Added product information for 100-pin LGA and 80-/64-pin packages, and 32-Kbyte RAM to Figure 1.1 • Deleted hyphenation for part number in Figure 1.1
		11, 12, 14, 18, 21	<ul style="list-style-type: none"> • Added Figures 1.3, 1.4, and 1.6 to 1.8 to provide block diagrams and pin assignment for 100-pin LGA and 80-/64-pin packages
		13	<ul style="list-style-type: none"> • Changed the order of Notes in Figures 1.5
		15-17	<ul style="list-style-type: none"> • Added pin No. for 100-pin LGA package to Tables 1.8 to 1.10
		19, 20, 22, 23	<ul style="list-style-type: none"> • Added Tables 1.11 to 1.14 to provide pin characteristics for 80-/64-pin packages.
		24	<ul style="list-style-type: none"> • Changed the following expression: “A ceramic resonator or a crystal oscillator” for “Main clock input/output” in Table 1.15, to “A crystal, or a ceramic resonator”
		25	<ul style="list-style-type: none"> • Modified descriptions for $\overline{\text{HLDA}}$ and $\overline{\text{RDY}}$ of “Bus control pins” in Table 1.16
		26	<ul style="list-style-type: none"> • Changed the following expression: “selected” for “Input port” in Table 1.17, to “selectable” • Modified description “TXD2” for TXD0 to TXD8 of “Serial interface” in Table 1.17, to “TXD2 output”
		28-30	<ul style="list-style-type: none"> • Added Tables 1.19 to 1.21 to provide pin definitions and functions for 80-/64-pin packages
			Chapter 2. CPU
		—	<ul style="list-style-type: none"> • Made major text modifications to this chapter
		33	<ul style="list-style-type: none"> • Changed the following expression: “a requested interrupt’s priority level” in line 2 of 2.1.8.11, to “the interrupt request level”
			Chapter 3. Memory
		35	<ul style="list-style-type: none"> • Made major text modifications to this chapter • Changed RAM size “40” in line 7 of this chapter, to “63”, and address “0000A3FFh” in line 8, to “0000FFFFh” • Added descriptions for 32-Kbyte RAM and 128-Kbyte ROM to Figure 3.1 • Changed two “can be”s in Notes 3 and 4 of Figure 3.1, to “becomes”s
			Chapter 4. SFRs
		36	<ul style="list-style-type: none"> • Changed hexadecimal format of reset values for registers CCR and FMCR in Table 4.1, to binary • Added FEBC3 register to addresses 000010h-000011h in Table 4.1 • Changed FEBC register for addresses 00001Ch-00001Dh, to FEBC0 in Table 4.1 • Modified the following register name in Table 4.1: “Chip-select Boundary (between n and n + 1) Setting Register”, to “Chip-select n and n + 1 Boundary Setting Register”

Revision History	R32C/111 Group Datasheet
------------------	--------------------------

Rev.	Date	Description	
		Page	Summary
		37, 38	<ul style="list-style-type: none"> • Changed register names associated with “Start/Stop Condition” for BCNiIC in Tables 4.2 and 4.3, to “Start Condition/Stop Condition”
		45	<ul style="list-style-type: none"> • Modified reset values “XXXX XXXXb” and “XXXX 000Xb” for registers U7RB and U8RB in Table 4.10, to “XXXXh”
		46	<ul style="list-style-type: none"> • Changed expression of register name “Xi Register Yi Register” (i = 0 to 15) and register symbol “XiR, YiR” in Table 4.11, to “Xi Register/Yi Register” and “XiR/YiR”, respectively
		51	<ul style="list-style-type: none"> • Changed hexadecimal format of reset values for PDi in Table 4.16, to binary
		54	<ul style="list-style-type: none"> • Modified Note 1 in Table 4.19
		55	<ul style="list-style-type: none"> • Merged addresses 40090h to 40093h in Table 4.20, into previous page • Modified reset values for IFS0 and IFS2 in Table 4.20; Added Notes 1 to 3 for 80-/64-pin packages and IFS7 register
		55-57	<ul style="list-style-type: none"> • Modified the following register name in Tables 4.20 to 4.22: “Port Pi_j Port Function Select Register”, to “Port Pi_j Function Select Register”
		59	<ul style="list-style-type: none"> • Modified register name “DMAi Request Source Select Register 1” in Table 4.24, to “DMAi Request Source Select Register” • Changed register names “Wake-up Interrupt Priority Level Control Register 2” and “Wake-up Interrupt Priority Level Control Register 1” in Table 4.24, to “Wake-up IPL Setting Register 2” and “Wake-up IPL Setting Register 1”, respectively
		Chapter 5. Electrical Characteristics	
		60	<ul style="list-style-type: none"> • Added Notes 2 and 3 for 80-/64-pin packages to Table 5.1
		61	<ul style="list-style-type: none"> • Added specification of “dV_{CC1}/dt” to Table 5.2; Added Notes 2, 4, and 5 for 80-/64-pin packages
		62	<ul style="list-style-type: none"> • Added Note 2 for Table 5.3
		63	<ul style="list-style-type: none"> • Added Note 3 for 80-/64-pin packages to Table 5.4
		65	<ul style="list-style-type: none"> • Modified description “V_{CC}”s in Table 5.6, to “V_{CC1}”s and “V_{CC2}”s
		66	<ul style="list-style-type: none"> • Added Table 5.7 to provide RAM electrical characteristics • Deleted specification of “t_{PS}” from Table 5.8
		67	<ul style="list-style-type: none"> • Deleted measurement condition for power supply circuit timing characteristics in Table 5.9 • Added “Supply voltage for internal logic” to Figure 5.3 and deleted “CPU clock” from the figure • Changed voltage condition for Table 5.11, from “V_{CC1} = V_{CC2} = 3.3 to 5.5 V” to “V_{CC1} = V_{CC2} = 4.2 to 5.5 V”; Clarified maximum value for “ΔV_{det}” in Table 5.11; Modified self-consuming current “V_{CC}”, to “V_{CC1}”
		68	<ul style="list-style-type: none"> • Changed typical value and maximum value for f_{SO(PLL)} in Table 5.12, to “55” and “80” respectively • Changed the following expressions: “PLL frequency synthesizer stabilization time” in Table 5.12, to “PLL lock time” and “t_{OSC(PLL)}”, to “t_{LOCK(PLL)}” • Modified description for Note1 of Table 5.13

Revision History	R32C/111 Group Datasheet
------------------	--------------------------

Rev.	Date	Description	
		Page	Summary
		70, 82 71, 83 72, 84 73, 85 75, 87 78 78, 90 79, 91 80, 92 81, 93 83 85 87 95 96	<ul style="list-style-type: none"> • Added Notes 1 and 2 for 80-/64-pin packages to Tables 5.15 and 5.38 • Deleted ports P7_0, P7_1, and P8_5 for R_{PULLUP} from Tables 5.16 and 5.39; Added Notes 1 and 2 for 80-/64-pin packages • Added “XIN” as “Active” to first, third, and sixth rows of Tables 5.17 and 5.40 • Deleted specification of ICC under condition “Ta = 85°C” from Tables 5.17 and 5.40 • Modified minimum value “0.125” for ϕ_{AD} in Tables 5.18 and 5.41, to “0.25”; Added Note 1 for 80-/64-pin packages • Clarified three “TBD”s for external bus timing in Tables 5.21 and 5.44 • Corrected a typo “$t_{h(C-Q)}$” in Table 5.30, to “$t_{h(C-D)}$” • Modified maximum value for $t_{h(C-D)}$ “30” in Tables 5.30 and 5.53, to “80” • Modified minimum value for $t_{w(ADH)}$ in Tables 5.31 and 5.54, to “$\frac{3}{\phi_{AD}}$” • Added Tables 5.33 and 5.56 to provide intelligent I/O timing requirements • Changed the third formula of Note 1 in Tables 5.34 and 5.57 • Modified minimum value of $t_{h(W-D)}$ “0” in Tables 5.35 and 5.58, to “0.5 x $t_{c(Base)}$”; Changed the first formula of Note 1 • Modified “Characteristic” for $t_{h(C-Q)}$ in Tables 5.36 and 5.59, from “TXDi hold time” to “TXDi output hold time” • Added Tables 5.37 and 5.60 to provide intelligent switching characteristics • Changed measurement condition for “High level input current” in Table 5.39, from “$V_I = 3\text{ V}$” to “$V_I = 3.3\text{ V}$” • Added a skipped word “error” after “Differential non-linearity” in Table 5.41 • Corrected typos “$t_{w(H)}$”, “$t_{w(L)}$”, “t_r”, and “t_f” in Table 5.43, to “$t_{w(XH)}$”, “$t_{w(XL)}$”, “$t_{r(X)}$”, and “$t_{f(X)}$”, respectively • Changed D15 to D0 output period of write cycle in Figures 5.8 • Changed D15 to D8 output period of write cycle in Figures 5.9
		98, 99	<p>Appendix 1</p> <ul style="list-style-type: none"> • Added figures for 100-pin plastic molded LGA, and 80-/64-pin plastic molded LQFP packages
1.20	Sep 26, 2011	—	Fourth edition released
		—	<p>The manual in general</p> <ul style="list-style-type: none"> • Applied new Renesas templates and formats to the manual • Changed company name to “Renesas Electronics Corporation” and changed related descriptions due to business merger of Renesas Technology Corporation and NEC Electronics Corporation • Modified expressions “version N” and “version D” to “N version” and “D version”, respectively (under Chapters 1 and 5)
		—	<p>Chapter 1. Overview</p> <ul style="list-style-type: none"> • Modified wording and enhanced description in this chapter

Revision History	R32C/111 Group Datasheet
------------------	--------------------------

Rev.	Date	Description	
		Page	Summary
		2, 4, 6	<ul style="list-style-type: none"> • Modified the following expressions in Tables 1.1, 1.3, and 1.5: “Main clock oscillator stop/re-oscillation detection” to “Main clock oscillator stop/restart detection”, and “inputs/outputs” to “I/O ports”
		3	<ul style="list-style-type: none"> • Deleted Note 1 from Table 1.2
		4, 6	<ul style="list-style-type: none"> • Deleted memory expansion mode and microprocessor mode from the operating mode of the CPU in Tables 1.3 and 1.5
		5, 7	<ul style="list-style-type: none"> • Deleted Note 2 from Tables 1.4 and 1.6
		7	<ul style="list-style-type: none"> • Corrected package code in Table 1.6 to “PLQP0064KB-A”
		8	<ul style="list-style-type: none"> • Completed “under development” phase of R5F6411EDFN in Table 1.7
		10-12	<ul style="list-style-type: none"> • Deleted Note 1 from Figures 1.2 to 1.4
		13	<ul style="list-style-type: none"> • Corrected a typo “R5_3” for pin number 41 in Figure 1.5 to “P5_3”
		13, 18, 21	<ul style="list-style-type: none"> • Changed order of signals in Figures 1.5, 1.7, and 1.8
		15, 19, 22	<ul style="list-style-type: none"> • Changed order of timer pins “TB5IN/TA0IN” in Tables 1.8, 1.11, and 1.13 to “TA0IN/TB5IN”
		24	<ul style="list-style-type: none"> • Modified expression “fC” in Table 1.15 to “low speed clocks”
			Chapter 2. CPU
		—	<ul style="list-style-type: none"> • Modified wording and enhanced description in this chapter
		32	<ul style="list-style-type: none"> • Corrected a typo “R3R0” in line 3 of 2.1.1 to “R3R1”
			Chapter 3. Memory
		—	<ul style="list-style-type: none"> • Modified wording and enhanced description in this chapter
			Chapter 4. SFRs
		—	<ul style="list-style-type: none"> • Modified wording and enhanced description in this chapter
		41, 42, 44	<ul style="list-style-type: none"> • Changed hexadecimal format of reset values for registers G1BCR0, G2BCR0, and G0BCR0 in Tables 4.6, 4.7, and 4.9 to binary
		41, 44	<ul style="list-style-type: none"> • Changed register name “Group i Timer Measurement Prescaler Register” in Tables 4.6 and 4.9 to “Group i Time Measurement Prescaler Register”
		43	<ul style="list-style-type: none"> • Modified expression “IE Bus” in Table 4.8 to “IEBus”
		46	<ul style="list-style-type: none"> • Modified expression “XY Control Register” in Table 4.11 to “X-Y Control Register”
		48	<ul style="list-style-type: none"> • Changed register name “UART2 Transmission/Receive Mode Register” and “Increment/Decrement Counting Select Register” in Table 4.13 to “UART2 Transmit/Receive Mode Register” and “Increment/Decrement Select Register”, respectively; Changed hexadecimal format of reset values for registers TABSR, ONSF, and TRGSR to binary
		50	<ul style="list-style-type: none"> • Changed reset value “X00X X000b” for AD0CON2 register in Table 4.15 to “XX0X X000b”
		59	<ul style="list-style-type: none"> • Changed register name “External Interrupt Source Select Register i” in Table 4.24 to “External Interrupt Request Source Select Register i”
			Chapter 5. Electrical Characteristics
		—	<ul style="list-style-type: none"> • Modified wording and enhanced description in this chapter
			<ul style="list-style-type: none"> • Changed expression “clock period” to “clock cycle time”
		61	<ul style="list-style-type: none"> • Changed format for ports P0 and P1 in Table 5.2

Revision History	R32C/111 Group Datasheet
------------------	--------------------------

Rev.	Date	Description	
		Page	Summary
		66	<ul style="list-style-type: none"> Changed expression “Programming and erasure endurance” in Table 5.8 to “Program and erase cycles”; Changed its unit “times” in the table and Note 1 to “Cycles”
		68	<ul style="list-style-type: none"> Changed order of descriptions of “$t_{rec(STOP)}$” and “$t_{rec(WAIT)}$” in Table 5.13 and Figure 5.4
		69	<ul style="list-style-type: none"> Changed expressions “$\overline{CS0}$” and “A23 to A0, $\overline{BC0}$ to $\overline{BC3}$” in Figure 5.5 to “Chip select” and “Address”, respectively
		78, 90	<ul style="list-style-type: none"> Corrected “INTi” in title of Tables 5.32 and 5.55 to “\overline{INTi}”
		81, 93	<ul style="list-style-type: none"> Added measurement condition to Tables 5.37 and 5.60
			Appendix 1. Package Dimensions
		98-99	<ul style="list-style-type: none"> Added a seating plane to the drawing of package dimension
1.30	Mar 3, 2014	—	Fifth edition released
		—	<ul style="list-style-type: none"> Deleted description for the 80-pin package
			Chapter 1. Overview
		—	<ul style="list-style-type: none"> Modified wording and enhanced description in this chapter
		1	<ul style="list-style-type: none"> Modified expression “I²C” in line 9 of 1.1 to “I²C-bus interface”
		2, 4	<ul style="list-style-type: none"> Modified expressions “calculation transfer” and “chained transfer” in Tables 1.1 and 1.3 to “calculation result transfer” and “chain transfer”, respectively
		5	<ul style="list-style-type: none"> Deleted N version from the Operating Temperature row in Table 1.4
		6	<ul style="list-style-type: none"> Deleted products on planning phase from Table 1.5
		20, 23	<ul style="list-style-type: none"> Modified expression “I²C bus” in Tables 1.13 and 1.16 to “I²C-bus”
			Chapter 2. CPU
		—	<ul style="list-style-type: none"> Modified wording and enhanced description in this chapter
			Chapter 5. Electrical Characteristics
		—	<ul style="list-style-type: none"> Modified wording and enhanced description in this chapter
		65, 77	<ul style="list-style-type: none"> Deleted TXD4, STXD4, and $\overline{RTS4}$ from Tables 5.16 and 5.39
		66, 78	<ul style="list-style-type: none"> Modified description “Drive power” in Tables 5.17 and 5.40 to “Drive strength”

All trademarks and registered trademarks are the property of their respective owners.

General Precautions in the Handling of MPU/MCU Products

The following usage notes are applicable to all MPU/MCU products from Renesas. For detailed usage notes on the products covered by this document, refer to the relevant sections of the document as well as any technical updates that have been issued for the products.

1. Handling of Unused Pins

Handle unused pins in accordance with the directions given under Handling of Unused Pins in the manual.

- The input pins of CMOS products are generally in the high-impedance state. In operation with an unused pin in the open-circuit state, extra electromagnetic noise is induced in the vicinity of LSI, an associated shoot-through current flows internally, and malfunctions occur due to the false recognition of the pin state as an input signal become possible. Unused pins should be handled as described under Handling of Unused Pins in the manual.

2. Processing at Power-on

The state of the product is undefined at the moment when power is supplied.

- The states of internal circuits in the LSI are indeterminate and the states of register settings and pins are undefined at the moment when power is supplied.
In a finished product where the reset signal is applied to the external reset pin, the states of pins are not guaranteed from the moment when power is supplied until the reset process is completed. In a similar way, the states of pins in a product that is reset by an on-chip power-on reset function are not guaranteed from the moment when power is supplied until the power reaches the level at which resetting has been specified.

3. Prohibition of Access to Reserved Addresses

Access to reserved addresses is prohibited.

- The reserved addresses are provided for the possible future expansion of functions. Do not access these addresses; the correct operation of LSI is not guaranteed if they are accessed.

4. Clock Signals

After applying a reset, only release the reset line after the operating clock signal has become stable. When switching the clock signal during program execution, wait until the target clock signal has stabilized.

- When the clock signal is generated with an external resonator (or from an external oscillator) during a reset, ensure that the reset line is only released after full stabilization of the clock signal. Moreover, when switching to a clock signal produced with an external resonator (or by an external oscillator) while program execution is in progress, wait until the target clock signal is stable.

5. Differences between Products

Before changing from one product to another, i.e. to a product with a different part number, confirm that the change will not lead to problems.

- The characteristics of an MPU or MCU in the same group but having a different part number may differ in terms of the internal memory capacity, layout pattern, and other factors, which can affect the ranges of electrical characteristics, such as characteristic values, operating margins, immunity to noise, and amount of radiated noise. When changing to a product with a different part number, implement a system-evaluation test for the given product.

Notice

1. Descriptions of circuits, software and other related information in this document are provided only to illustrate the operation of semiconductor products and application examples. You are fully responsible for the incorporation of these circuits, software, and information in the design of your equipment. Renesas Electronics assumes no responsibility for any losses incurred by you or third parties arising from the use of these circuits, software, or information.
2. Renesas Electronics has used reasonable care in preparing the information included in this document, but Renesas Electronics does not warrant that such information is error free. Renesas Electronics assumes no liability whatsoever for any damages incurred by you resulting from errors in or omissions from the information included herein.
3. Renesas Electronics does not assume any liability for infringement of patents, copyrights, or other intellectual property rights of third parties by or arising from the use of Renesas Electronics products or technical information described in this document. No license, express, implied or otherwise, is granted hereby under any patents, copyrights or other intellectual property rights of Renesas Electronics or others.
4. You should not alter, modify, copy, or otherwise misappropriate any Renesas Electronics product, whether in whole or in part. Renesas Electronics assumes no responsibility for any losses incurred by you or third parties arising from such alteration, modification, copy or otherwise misappropriation of Renesas Electronics product.
5. Renesas Electronics products are classified according to the following two quality grades: "Standard" and "High Quality". The recommended applications for each Renesas Electronics product depends on the product's quality grade, as indicated below.
"Standard": Computers; office equipment; communications equipment; test and measurement equipment; audio and visual equipment; home electronic appliances; machine tools; personal electronic equipment; and industrial robots etc.
"High Quality": Transportation equipment (automobiles, trains, ships, etc.); traffic control systems; anti-disaster systems; anti-crime systems; and safety equipment etc.
Renesas Electronics products are neither intended nor authorized for use in products or systems that may pose a direct threat to human life or bodily injury (artificial life support devices or systems, surgical implantations etc.), or may cause serious property damages (nuclear reactor control systems, military equipment etc.). You must check the quality grade of each Renesas Electronics product before using it in a particular application. You may not use any Renesas Electronics product for any application for which it is not intended. Renesas Electronics shall not be in any way liable for any damages or losses incurred by you or third parties arising from the use of any Renesas Electronics product for which the product is not intended by Renesas Electronics.
6. You should use the Renesas Electronics products described in this document within the range specified by Renesas Electronics, especially with respect to the maximum rating, operating supply voltage range, movement power voltage range, heat radiation characteristics, installation and other product characteristics. Renesas Electronics shall have no liability for malfunctions or damages arising out of the use of Renesas Electronics products beyond such specified ranges.
7. Although Renesas Electronics endeavors to improve the quality and reliability of its products, semiconductor products have specific characteristics such as the occurrence of failure at a certain rate and malfunctions under certain use conditions. Further, Renesas Electronics products are not subject to radiation resistance design. Please be sure to implement safety measures to guard them against the possibility of physical injury, and injury or damage caused by fire in the event of the failure of a Renesas Electronics product, such as safety design for hardware and software including but not limited to redundancy, fire control and malfunction prevention, appropriate treatment for aging degradation or any other appropriate measures. Because the evaluation of microcomputer software alone is very difficult, please evaluate the safety of the final products or systems manufactured by you.
8. Please contact a Renesas Electronics sales office for details as to environmental matters such as the environmental compatibility of each Renesas Electronics product. Please use Renesas Electronics products in compliance with all applicable laws and regulations that regulate the inclusion or use of controlled substances, including without limitation, the EU RoHS Directive. Renesas Electronics assumes no liability for damages or losses occurring as a result of your noncompliance with applicable laws and regulations.
9. Renesas Electronics products and technology may not be used for or incorporated into any products or systems whose manufacture, use, or sale is prohibited under any applicable domestic or foreign laws or regulations. You should not use Renesas Electronics products or technology described in this document for any purpose relating to military applications or use by the military, including but not limited to the development of weapons of mass destruction. When exporting the Renesas Electronics products or technology described in this document, you should comply with the applicable export control laws and regulations and follow the procedures required by such laws and regulations.
10. It is the responsibility of the buyer or distributor of Renesas Electronics products, who distributes, disposes of, or otherwise places the product with a third party, to notify such third party in advance of the contents and conditions set forth in this document, Renesas Electronics assumes no responsibility for any losses incurred by you or third parties as a result of unauthorized use of Renesas Electronics products.
11. This document may not be reproduced or duplicated in any form, in whole or in part, without prior written consent of Renesas Electronics.
12. Please contact a Renesas Electronics sales office if you have any questions regarding the information contained in this document or Renesas Electronics products, or if you have any other inquiries.
(Note 1) "Renesas Electronics" as used in this document means Renesas Electronics Corporation and also includes its majority-owned subsidiaries.
(Note 2) "Renesas Electronics product(s)" means any product developed or manufactured by or for Renesas Electronics.



SALES OFFICES

Renesas Electronics Corporation

<http://www.renesas.com>

Refer to "<http://www.renesas.com/>" for the latest and detailed information.

Renesas Electronics America Inc.
2801 Scott Boulevard Santa Clara, CA 95050-2549, U.S.A.
Tel: +1-408-586-6000, Fax: +1-408-588-6130

Renesas Electronics Canada Limited
1101 Nicholson Road, Newmarket, Ontario L3Y 9C3, Canada
Tel: +1-905-898-5441, Fax: +1-905-898-3220

Renesas Electronics Europe Limited
Dukes Meadow, Millboard Road, Bourne End, Buckinghamshire, SL8 5FH, U.K.
Tel: +44-1628-585-100, Fax: +44-1628-585-900

Renesas Electronics Europe GmbH
Arcadiastrasse 10, 40472 Düsseldorf, Germany
Tel: +49-211-6503-0, Fax: +49-211-6503-1327

Renesas Electronics (China) Co., Ltd.
Room 1709, Quantum Plaza, No.27 ZhiChunLu Haidian District, Beijing 100191, P.R.China
Tel: +86-10-8235-1155, Fax: +86-10-8235-7679

Renesas Electronics (Shanghai) Co., Ltd.
Unit 301, Tower A, Central Towers, 555 Langao Road, Putuo District, Shanghai, P. R. China 200333
Tel: +86-21-2226-0888, Fax: +86-21-2226-0999

Renesas Electronics Hong Kong Limited
Unit 1601-1613, 16/F., Tower 2, Grand Century Place, 193 Prince Edward Road West, Mongkok, Kowloon, Hong Kong
Tel: +852-2265-6688, Fax: +852 2886-9022/9044

Renesas Electronics Taiwan Co., Ltd.
13F, No. 363, Fu Shing North Road, Taipei 10543, Taiwan
Tel: +886-2-8175-9600, Fax: +886 2-8175-9670

Renesas Electronics Singapore Pte. Ltd.
80 Bendemeer Road, Unit #06-02 Hyflux Innovation Centre, Singapore 339949
Tel: +65-6213-0200, Fax: +65-6213-0300

Renesas Electronics Malaysia Sdn.Bhd.
Unit 906, Block B, Menara Amcorp, Amcorp Trade Centre, No. 18, Jln Persiaran Barat, 46050 Petaling Jaya, Selangor Darul Ehsan, Malaysia
Tel: +60-3-7955-9390, Fax: +60-3-7955-9510

Renesas Electronics Korea Co., Ltd.
12F., 234 Teheran-ro, Gangnam-Ku, Seoul, 135-920, Korea
Tel: +82-2-558-3737, Fax: +82-2-558-5141

Mouser Electronics

Authorized Distributor

Click to View Pricing, Inventory, Delivery & Lifecycle Information:

Renesas Electronics:

[R5F6411EDFN#UA](#) [R5F64110DFB#U0](#) [R5F64114DFB#UA](#) [R5F64115DFB#U0](#) [R5F6411FNLG#U0](#)
[R5F64112DFB#U0](#) [R5F64111DFB#U0](#) [R5F64111NLG#U0](#) [R5F64116DFB#U0](#) [R5F64114DFB#U0](#)
[R5F64112NLG#U0](#) [R5F6411FDFN#UA](#) [R5F6416MADFE#UA](#) [R5F64188DFD#U0](#) [R5F64175DFB#U0](#)
[R5F64165DFD#UB](#) [R5F64177DFD#UB](#) [R5F64185DFD#UB](#) [R5F64168DFD#U0](#) [R5F64189DFB#U0](#)
[R5F64177DFB#UB](#) [R5F6416MADFD#UA](#) [R5F64179DFD#UB](#) [R5F64189DFD#UB](#) [R5F64179DFB#U0](#)
[R5F64176DFB#U0](#) [R5F64169DFD#UB](#) [R5F64189DFD#U0](#) [R5F64177PFD#UB](#) [R5F64186DFB#U0](#)
[R5F64176DFB#UB](#) [R5F64169DFB#U0](#) [R5F64175DFB#UB](#) [R5F64169DFB#UB](#) [R5F64189HDFD#UA](#)
[R5F64178DFD#UB](#) [R5F64168DFB#U0](#) [R5F64185DFB#U0](#) [R5F64177PFB#UB](#) [R5F64169DFD#U0](#)
[R5F64187DFB#U0](#) [R5F64189DFB#UB](#) [R5F64167DFB#U0](#) [R5F64175DFD#UB](#) [R5F64175DFD#U0](#)
[R5F64189PFB#UB](#) [R5F64178DFB#UB](#) [R5F64185DFD#U0](#) [R5F64179DFB#UB](#) [R5F64189PFD#UB](#)



Компания «ЭлектроПласт» предлагает заключение долгосрочных отношений при поставках импортных электронных компонентов на взаимовыгодных условиях!

Наши преимущества:

- Оперативные поставки широкого спектра электронных компонентов отечественного и импортного производства напрямую от производителей и с крупнейших мировых складов;
- Поставка более 17-ти миллионов наименований электронных компонентов;
- Поставка сложных, дефицитных, либо снятых с производства позиций;
- Оперативные сроки поставки под заказ (от 5 рабочих дней);
- Экспресс доставка в любую точку России;
- Техническая поддержка проекта, помощь в подборе аналогов, поставка прототипов;
- Система менеджмента качества сертифицирована по Международному стандарту ISO 9001;
- Лицензия ФСБ на осуществление работ с использованием сведений, составляющих государственную тайну;
- Поставка специализированных компонентов (Xilinx, Altera, Analog Devices, Intersil, Interpoint, Microsemi, Aeroflex, Peregrine, Syfer, Eurofarad, Texas Instrument, Miteq, Cobham, E2V, MA-COM, Hittite, Mini-Circuits, General Dynamics и др.);

Помимо этого, одним из направлений компании «ЭлектроПласт» является направление «Источники питания». Мы предлагаем Вам помощь Конструкторского отдела:

- Подбор оптимального решения, техническое обоснование при выборе компонента;
- Подбор аналогов;
- Консультации по применению компонента;
- Поставка образцов и прототипов;
- Техническая поддержка проекта;
- Защита от снятия компонента с производства.



Как с нами связаться

Телефон: 8 (812) 309 58 32 (многоканальный)

Факс: 8 (812) 320-02-42

Электронная почта: org@eplast1.ru

Адрес: 198099, г. Санкт-Петербург, ул. Калинина, дом 2, корпус 4, литера А.