



Lower Power 3.3V CMOS Fast SRAM 256K (32K x 8-Bit)

IDT71V256SA

Features

- ◆ Ideal for high-performance processor secondary cache
- ◆ Commercial (0°C to +70°C) and Industrial (-40°C to +85°C) temperature range options
- ◆ Fast access times:
 - Commercial and Industrial: 12/15/20ns
- ◆ Low standby current (maximum):
 - 2mA full standby
- ◆ Small packages for space-efficient layouts:
 - 28-pin 300 mil SOJ
 - 28-pin TSOP Type I
- ◆ Produced with advanced high-performance CMOS technology
- ◆ Inputs and outputs are LVTTTL-compatible
- ◆ Single 3.3V(±0.3V) power supply
- ◆ Green parts available, see ordering information

Description

The IDT71V256SA is a 262,144-bit high-speed static RAM organized as 32K x 8. It is fabricated using a high-performance, high-reliability CMOS technology.

The IDT71V256SA has outstanding low power characteristics while at the same time maintaining very high performance. Address access times of as fast as 12ns are ideal for 3.3V secondary cache in 3.3V desktop designs.

When power management logic puts the IDT71V256SA in standby mode, its very low power characteristics contribute to extended battery life. By taking \overline{CS} HIGH, the SRAM will automatically go to a low power standby mode and will remain in standby as long as \overline{CS} remains HIGH. Furthermore, under full standby mode (\overline{CS} at CMOS level, $f=0$), power consumption is guaranteed to always be less than 6.6mW and typically will be much smaller.

The IDT71V256SA is packaged in a 28-pin 300 mil SOJ and a 28-pin 300 mil TSOP Type I.

Functional Block Diagram



AUGUST 2015

Pin Configurations



Pin Descriptions

| Name | Description |
|-----------------|-------------------|
| A0 - A14 | Addresses |
| I/O0 - I/O7 | Data Input/Output |
| \overline{CS} | Chip Select |
| \overline{WE} | Write Enable |
| \overline{OE} | Output Enable |
| GND | Ground |
| Vcc | Power |

3101 tbl 01

Truth Table⁽¹⁾

| \overline{WE} | \overline{CS} | \overline{OE} | I/O | Function |
|-----------------|-----------------|-----------------|--------|----------------|
| X | H | X | High-Z | Standby (Ise) |
| X | V _{HC} | X | High-Z | Standby (Ise1) |
| H | L | H | High-Z | Output Disable |
| H | L | L | DOUT | Read |
| L | L | X | DIN | Write |

3101 tbl 02

NOTE:

1. H = V_{IH}, L = V_{IL}, X = Don't Care

Absolute Maximum Ratings⁽¹⁾

| Symbol | Rating | Com'l. | Unit |
|----------------------------------|----------------------------------|-----------------|------|
| Vcc | Supply Voltage Relative to GND | -0.5 to +4.6 | V |
| V _{TERM} ⁽²⁾ | Terminal Voltage Relative to GND | -0.5 to Vcc+0.5 | V |
| T _{BIAS} | Temperature Under Bias | -55 to +125 | °C |
| T _{STG} | Storage Temperature | -55 to +125 | °C |
| P _T | Power Dissipation | 1.0 | W |
| I _{OUT} | DC Output Current | 50 | mA |

3101 tbl 03

NOTES:

1. Stresses greater than those listed under ABSOLUTE MAXIMUM RATINGS may cause permanent damage to the device. This is a stress rating only and functional operation of the device at these or any other conditions above those indicated in the operational sections of this specification is not implied. Exposure to absolute maximum rating conditions for extended periods may affect reliability.
2. Input, Output, and I/O terminals; 4.6V maximum.

Capacitance

(T_A = +25°C, f = 1.0MHz, SOJ package)

| Symbol | Parameter ⁽¹⁾ | Conditions | Max. | Unit |
|------------------|--------------------------|------------------------|------|------|
| C _{IN} | Input Capacitance | V _{IN} = 3dV | 6 | pF |
| C _{OUT} | Output Capacitance | V _{OUT} = 3dV | 7 | pF |

3101 tbl 04

NOTE:

1. This parameter is determined by device characterization, but is not production tested.

Recommended Operating Temperature and Supply Voltage

| Grade | Temperature | GND | Vcc |
|------------|----------------|-----|-------------|
| Commercial | 0°C to +70°C | 0V | 3.3V ± 0.3V |
| Industrial | -40°C to +85°C | 0V | 3.3V ± 0.3V |

3101 tbl 05

Recommended DC Operating Conditions

| Symbol | Parameter | Min. | Typ. | Max. | Unit |
|-----------------|-----------------------------|---------------------|------|-----------------------|------|
| V _{CC} | Supply Voltage | 3.0 | 3.3 | 3.6 | V |
| GND | Ground | 0 | 0 | 0 | V |
| V _{IH} | Input High Voltage - Inputs | 2.0 | — | V _{CC} + 0.3 | V |
| V _{IH} | Input High Voltage - I/O | 2.0 | — | V _{CC} + 0.3 | V |
| V _{IL} | Input Low Voltage | -0.3 ⁽¹⁾ | — | 0.8 | V |

3101 tbl 06

NOTE:

- V_{IL} (min.) = -2.0V for pulse width less than 5ns, once per cycle.

DC Electrical Characteristics⁽¹⁾

(V_{CC} = 3.3V ± 0.3V, V_{LC} = 0.2V, V_{HC} = V_{CC} - 0.2V, Commercial and Industrial Temperature Ranges)

| Symbol | Parameter | 71V256SA12 | 71V256SA15 | 71V256SA20 | Unit |
|------------------|--|------------|------------|------------|------|
| I _{CC} | Dynamic Operating Current $\overline{CS} \leq V_{IL}$, Outputs Open, V _{CC} = Max., f = f _{MAX} ⁽²⁾ | 90 | 85 | 85 | mA |
| I _{SB} | Standby Power Supply Current (TTL Level) $\overline{CS} = V_{IH}$, V _{CC} = Max., Outputs Open, f = f _{MAX} ⁽²⁾ | 20 | 20 | 20 | mA |
| I _{SB1} | Full Standby Power Supply Current (CMOS Level) $\overline{CS} \geq V_{HC}$, V _{CC} = Max., Outputs Open, f = 0 ⁽²⁾ , V _{IN} ≤ V _{LC} or V _{IN} ≥ V _{HC} | 2 | 2 | 2 | mA |

3101 tbl 07

NOTES:

- All values are maximum guaranteed values.
- f_{MAX} = 1/trc, only address inputs cycling at f_{MAX}; f = 0 means that no inputs are cycling.

DC Electrical Characteristics

(V_{CC} = 3.3V ± 0.3V)

| Symbol | Parameter | Test Conditions | IDT71V256SA | | | Unit |
|-----------------|------------------------|--|-------------|------|------|------|
| | | | Min. | Typ. | Max. | |
| I _L | Input Leakage Current | V _{CC} = Max., V _{IN} = GND to V _{CC} | — | — | 2 | μA |
| I _O | Output Leakage Current | V _{CC} = Max., $\overline{CS} = V_{IH}$, V _{OUT} = GND to V _{CC} | — | — | 2 | μA |
| V _{OL} | Output Low Voltage | I _{OL} = 8mA, V _{CC} = Min. | — | — | 0.4 | V |
| V _{OH} | Output High Voltage | I _{OH} = -4mA, V _{CC} = Min. | 2.4 | — | — | V |

3101 tbl 08

AC Test Conditions

| | |
|-------------------------------|---------------------|
| Input Pulse Levels | GND to 3.0V |
| Input Rise/Fall Times | 3ns |
| Input Timing Reference Levels | 1.5V |
| Output Reference Levels | 1.5V |
| AC Test Load | See Figures 1 and 2 |

3101 tbl 09

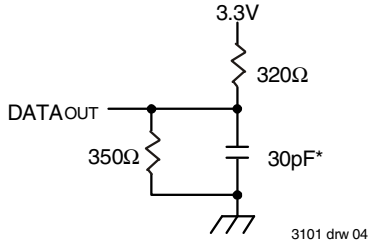


Figure 1. AC Test Load

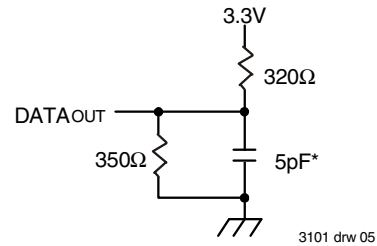


Figure 2. AC Test Load
(for tCLZ, tOLZ, tCHZ, tOHZ, tOW, tWHZ)

*Includes scope and jig capacitances

AC Electrical Characteristics

(Vcc = 3.3V ± 0.3V, Commercial and Industrial Temperature Ranges)

| Symbol | Parameter | 71V256SA12 | | 71V256SA15 | | 71V256SA20 | | Unit |
|---------------------------------|------------------------------------|------------|------|------------|------|------------|------|------|
| | | Min. | Max. | Min. | Max. | Min. | Max. | |
| Read Cycle | | | | | | | | |
| t _{RC} | Read Cycle Time | 12 | — | 15 | — | 20 | — | ns |
| t _{AA} | Address Access Time | — | 12 | — | 15 | — | 20 | ns |
| t _{ACS} | Chip Select Access Time | — | 12 | — | 15 | — | 20 | ns |
| t _{CLZ} ⁽¹⁾ | Chip Select to Output in Low-Z | 5 | — | 5 | — | 5 | — | ns |
| t _{CHZ} ⁽¹⁾ | Chip Select to Output in High-Z | 0 | 8 | 0 | 9 | 0 | 10 | ns |
| t _{OE} | Output Enable to Output Valid | — | 6 | — | 7 | — | 8 | ns |
| t _{OLZ} ⁽¹⁾ | Output Enable to Output in Low-Z | 3 | — | 0 | — | 0 | — | ns |
| t _{OHZ} ⁽¹⁾ | Output Disable to Output in High-Z | 2 | 6 | 0 | 7 | 0 | 8 | ns |
| t _{OH} | Output Hold from Address Change | 3 | — | 3 | — | 3 | — | ns |
| Write Cycle | | | | | | | | |
| t _{WC} | Write Cycle Time | 12 | — | 15 | — | 20 | — | ns |
| t _{AW} | Address Valid to End-of-Write | 9 | — | 10 | — | 15 | — | ns |
| t _{CW} | Chip Select to End-of-Write | 9 | — | 10 | — | 15 | — | ns |
| t _{AS} | Address Set-up Time | 0 | — | 0 | — | 0 | — | ns |
| t _{WP} | Write Pulse Width | 9 | — | 10 | — | 15 | — | ns |
| t _{WR} | Write Recovery Time | 0 | — | 0 | — | 0 | — | ns |
| t _{DW} | Data to Write Time Overlap | 6 | — | 7 | — | 8 | — | ns |
| t _{DH} | Data Hold from Write Time | 0 | — | 0 | — | 0 | — | ns |
| t _{OW} ⁽¹⁾ | Output Active from End-of-Write | 4 | — | 4 | — | 4 | — | ns |
| t _{WHZ} ⁽¹⁾ | Write Enable to Output in High-Z | 1 | 8 | 1 | 9 | 1 | 10 | ns |

3101 tbl 10

NOTE:

1. This parameter guaranteed with the AC test load (Figure 2) by device characterization, but is not production tested.

Timing Waveform of Read Cycle No. 1⁽¹⁾

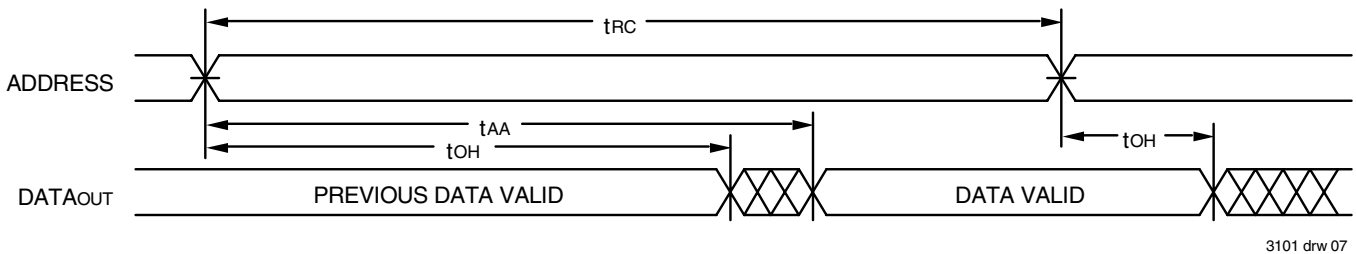


3101 drw 06

NOTES:

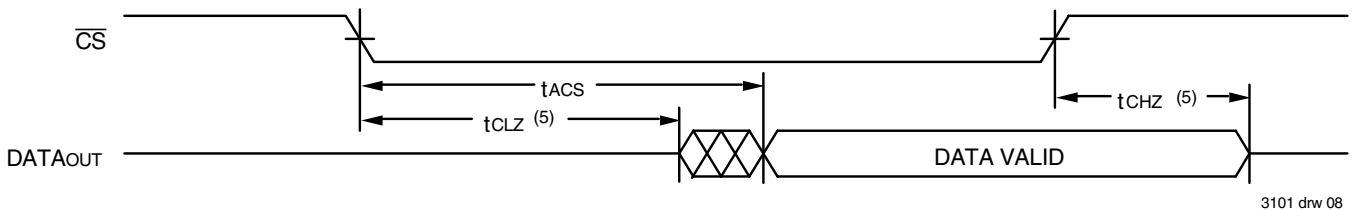
1. \overline{WE} is HIGH for Read cycle.
2. Transition is measured $\pm 200\text{mV}$ from steady state.

Timing Waveform of Read Cycle No. 2^(1,2,4)



3101 drw 07

Timing Waveform of Read Cycle No. 3^(1,3,4)

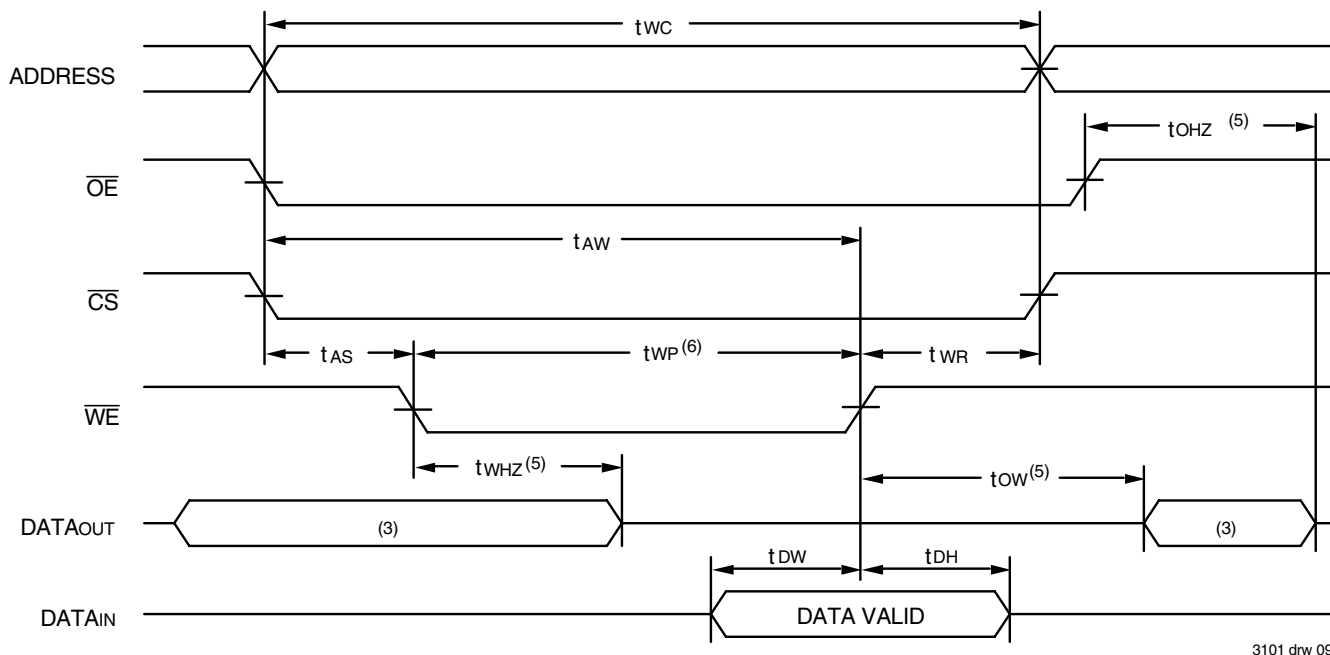


3101 drw 08

NOTES:

1. \overline{WE} is HIGH for Read cycle.
2. Device is continuously selected, \overline{CS} is LOW.
3. Address valid prior to or coincident with \overline{CS} transition LOW.
4. \overline{OE} is LOW.
5. Transition is measured $\pm 200\text{mV}$ from steady state.

Timing Waveform of Write Cycle No. 1 (\overline{WE} Controlled Timing)^(1,2,4,6)

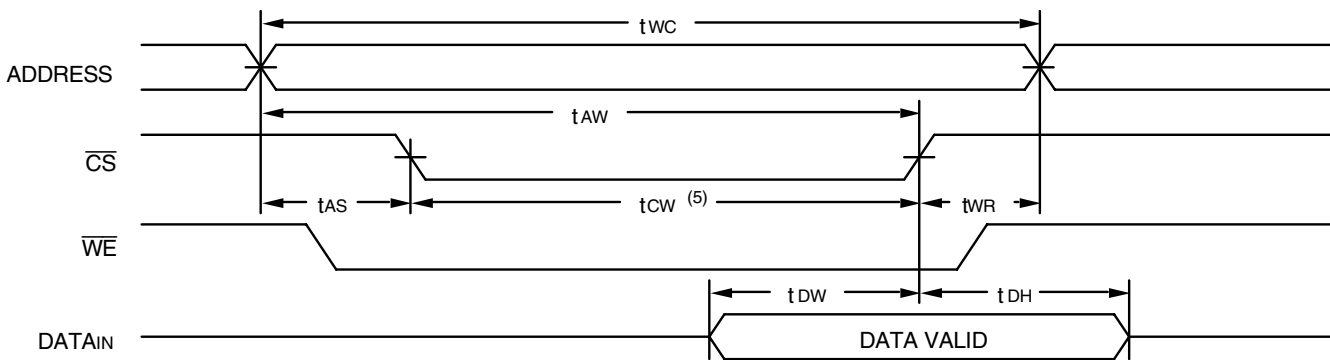


3101 drw 09

NOTES:

1. A write occurs during the overlap of a LOW \overline{CS} and a LOW \overline{WE} .
2. t_{WR} is measured from the earlier of \overline{CS} or \overline{WE} going HIGH to the end of the write cycle.
3. During this period, I/O pins are in the output state so that the input signals must not be applied.
4. If the \overline{CS} LOW transition occurs simultaneously with or after the \overline{WE} LOW transition, the outputs remain in a high-impedance state.
5. Transition is measured $\pm 200\text{mV}$ from steady state.
6. If \overline{OE} is LOW during a \overline{WE} controlled write cycle, the write pulse width must be the larger of t_{WP} or $(t_{WHZ} + t_{DW})$ to allow the I/O drivers to turn off and data to be placed on the bus for the required t_{DW} . If \overline{OE} is HIGH during a \overline{WE} controlled write cycle, this requirement does not apply and the write pulse can be as short as the specified t_{WP} .

Timing Waveform of Write Cycle No. 2 (\overline{CS} Controlled Timing)^(1,2,3,4)



3101 drw 10

NOTES:

1. \overline{WE} or \overline{CS} must be HIGH during all address transitions.
2. A write occurs during the overlap of a LOW \overline{CS} and a LOW \overline{WE} .
3. t_{WR} is measured from the earlier of \overline{CS} or \overline{WE} going HIGH to the end of the write cycle.
4. If the \overline{CS} LOW transition occurs simultaneously with or after the \overline{WE} LOW transition, the outputs remain in a high-impedance state.
5. If \overline{OE} is LOW during a \overline{WE} controlled write cycle, the write pulse width must be the larger of t_{WP} or $(t_{WHZ} + t_{DW})$ to allow the I/O drivers to turn off and data to be placed on the bus for the required t_{DW} . If \overline{OE} is HIGH during a \overline{WE} controlled write cycle, this requirement does not apply and the write pulse can be as short as the specified t_{WP} .

Ordering Information — Commercial and Industrial



* Available in TSOP package only.

3101 drw 11

NOTES:

1. Contact your local sales office for industrial temp. range for other speeds, packages and powers.
2. Green parts available. For specific speeds, packages and powers contact your local sales office.

Datasheet Document History

| | | |
|----------|----------------|---|
| 1/7/00 | | Updated to new format |
| | Pg. 1, 3, 4, 7 | Expanded Industrial Temperature offerings |
| | Pg. 1, 2, 7 | Removed 28-pin 300 mil plastic DIP package offering |
| | Pg. 6 | Removed Note No. 1 from Write Cycle No. 1 diagram; renumbered notes and footnotes |
| | Pg. 7 | Revised Ordering Information |
| | Pg. 8 | Added Datasheet Document History |
| 08/09/00 | | Not recommended for new designs |
| 02/01/01 | | Removed "Not recommended for new designs" |
| 06/21/02 | Pg. 7 | Added tape and reel option to the ordering information |
| 01/30/04 | Pg. 7 | Added "restricted hazardous substance device" to order information. |
| 02/20/09 | Pg. 7 | Removed "IDT" from ordering parts |
| 06/11/12 | Pg. 3 | Corrected Recommended DC Operation Conditions Max V_{IH} from 5.0 to $V_{CC}+0.3V$ |
| | Pg. 7 | Added Green designator to ordering information |
| | Pg. 7 | Corrected footnote in the ordering information from "available in SOJ package only" to "available in TSOP package only" |
| 07/24/14 | Pg.7 | Added tube or tray to the ordering information |
| 08/18/15 | Pg.1 & 7 | Removed commercial 10ns speed offering & added green parts available to features |
| | Pg.2 & 7 | Removed "-X" extensions from all pin configurations SOJ28 & TSOP28 |
| | Pg. 3 & 4 | Removed commercial 10ns speed offering columns from the DC & AC Elec tables |
| | Pg.7 | Updated the Industrial and Green footnotes in the Ordering Information |



CORPORATE HEADQUARTERS
6024 Silver Creek Valley Road
San Jose, CA 95138

for SALES:
800-345-7015 or
408-284-8200
fax: 408-284-2775
www.idt.com

for Tech Support:
sramhelp@idt.com
408-284-4532

The IDT logo is a registered trademark of Integrated Device Technology, Inc.

Mouser Electronics

Authorized Distributor

Click to View Pricing, Inventory, Delivery & Lifecycle Information:

IDT (Integrated Device Technology):

[71V256SA20PZG](#) [71V256SA15YG8](#) [71V256SA15YGI8](#) [71V256SA12PZGI8](#) [71V256SA12YGI](#) [71V256SA12PZGI](#)
[71V256SA10YG](#) [71V256SA15PZGI8](#) [71V256SA15PZG](#) [71V256SA15YGI](#) [71V256SA12YGI8](#) [71V256SA20PZG8](#)
[71V256SA15PZG8](#) [71V256SA15PZGI](#) [71V256SA10YG8](#) [71V256SA15YG](#) [71V256SA12PZG](#) [71V256SA12YG](#)
[71V256SA12PZG8](#) [71V256SA12YG8](#) [71V256SA20PZGI](#) [71V256SA10PZG](#) [71V256SA10PZG8](#) [71V256SA20PZGI8](#)



Компания «ЭлектроПласт» предлагает заключение долгосрочных отношений при поставках импортных электронных компонентов на взаимовыгодных условиях!

Наши преимущества:

- Оперативные поставки широкого спектра электронных компонентов отечественного и импортного производства напрямую от производителей и с крупнейших мировых складов;
- Поставка более 17-ти миллионов наименований электронных компонентов;
- Поставка сложных, дефицитных, либо снятых с производства позиций;
- Оперативные сроки поставки под заказ (от 5 рабочих дней);
- Экспресс доставка в любую точку России;
- Техническая поддержка проекта, помощь в подборе аналогов, поставка прототипов;
- Система менеджмента качества сертифицирована по Международному стандарту ISO 9001;
- Лицензия ФСБ на осуществление работ с использованием сведений, составляющих государственную тайну;
- Поставка специализированных компонентов (Xilinx, Altera, Analog Devices, Intersil, Interpoint, Microsemi, Aeroflex, Peregrine, Syfer, Eurofarad, Texas Instrument, Miteq, Cobham, E2V, MA-COM, Hittite, Mini-Circuits, General Dynamics и др.);

Помимо этого, одним из направлений компании «ЭлектроПласт» является направление «Источники питания». Мы предлагаем Вам помощь Конструкторского отдела:

- Подбор оптимального решения, техническое обоснование при выборе компонента;
- Подбор аналогов;
- Консультации по применению компонента;
- Поставка образцов и прототипов;
- Техническая поддержка проекта;
- Защита от снятия компонента с производства.



Как с нами связаться

Телефон: 8 (812) 309 58 32 (многоканальный)

Факс: 8 (812) 320-02-42

Электронная почта: org@eplast1.ru

Адрес: 198099, г. Санкт-Петербург, ул. Калинина, дом 2, корпус 4, литера А.