

## DRF12XX Evaluation Board

Gui Choi  
 Sr. Application Engineer  
 Phone: 541-382-8028, ext. 1205  
[gchoi@microsemi.com](mailto:gchoi@microsemi.com)

Figure 1 shows a simplified circuit diagram for the DRF12XX series of devices. The Hybrid consists of a MOSFET Driver and Power MOSFET. The control signal is applied to internal driver through pin 4 (IN) and referenced to pin 5 (GND) a Ground return. The pin 3 (FN) allows the user to select either Invert or Non-inverting mode. The output of the driver is internally applied to the gate of the Power MOSFET. The logic diagram for the hybrid is shown in Table 1. For more information on the specific DRF12XX, refer to the device data sheet.

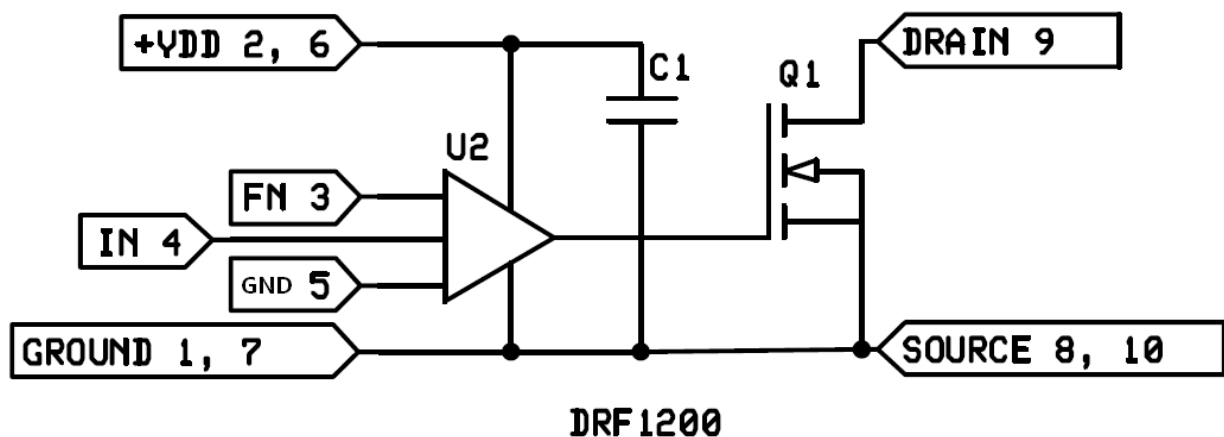
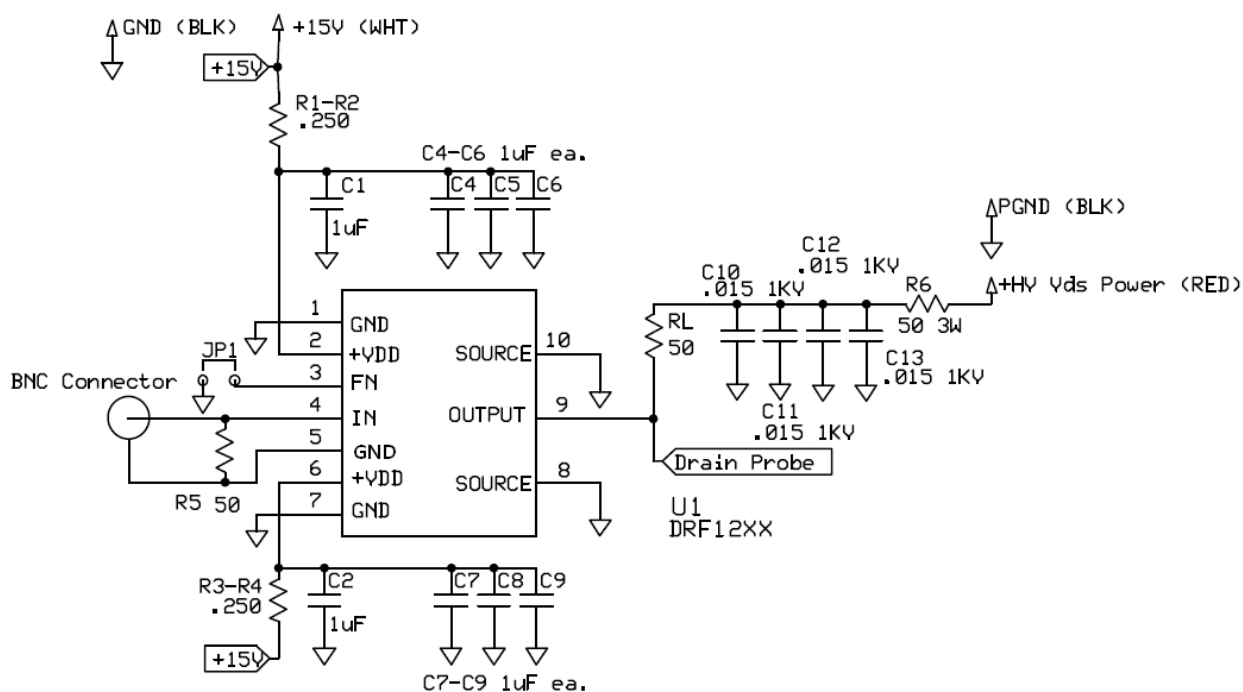


Figure 1. DRF12XX

FN (pin 3) Invert/Non-invert	IN (pin 4) Control	MOSFET	Function
High	High	On	Non-Invert.
High	Low	Off	Non-Invert.
Low	High	Off	Inverting
Low	Low	On	Inverting

Table 1

The DRF12XX Evaluation Board allows the design engineer to prototype a circuit of choice. It is initially configured as shown in Figure 2 allowing the user to evaluate the simple switching performance of the DRF12XX. The 50Ω load resistor (RL) has a power limit of 4 Watts. In this configuration, the DRF12XX Evaluation Board should be operated at a reduced Duty Cycle to avoid damaging the RL. The DRF12XX must be attached to a heat sink when reconfigured for dissipation greater than 4 watts.



**Figure 2. DRF12XX Evaluation Board**

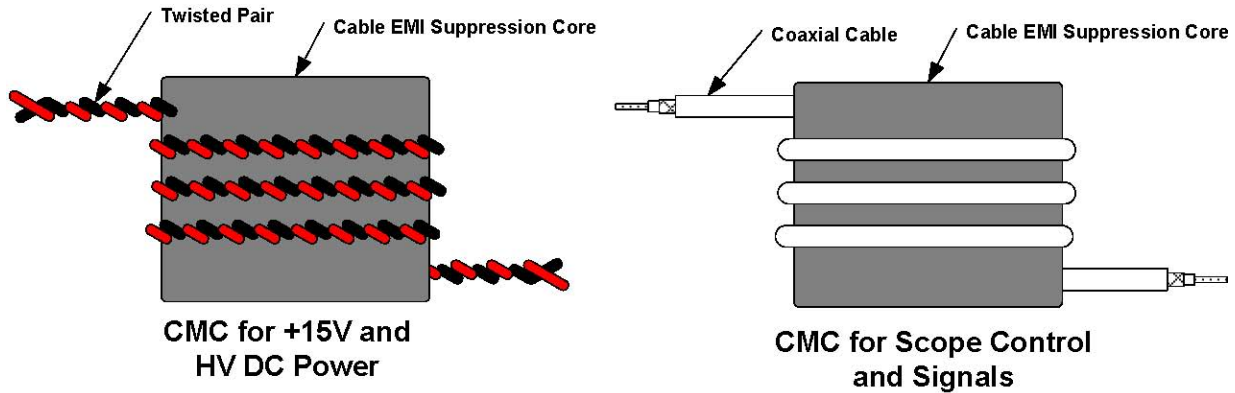
A 5V max signal input is applied to (IN) via the BNC connector. Using the Power Ground (GND) for the BNC shielding provides a ground connection for the input increasing noise immunity. Pins 2 and 6 (+VDD) are both connected on evaluation board and are also connected internally to help balance pulse currents in the hybrid. Pin 3 (FN) is the invert or non-invert select Pin, internally held high (non-inverting) and must be jumpered on the evaluation board (JP1) to ground to select the inverting mode.

Inputs	Parameter	Remarks
GND	Driver Ground	
+15V	Driver supply	CMC suggested
IN	+5V max signal	50Ω coax, CMC suggested
GND	(IN) Signal Rtn.	50Ω coax, Rtn, CMC suggested
Drain Probe	X100 Probe	Tek P5100, CMC suggested on probe lead
VDS	+1000V Max	CMC suggested
P GND	Power GND	Connected to MOSFET Source

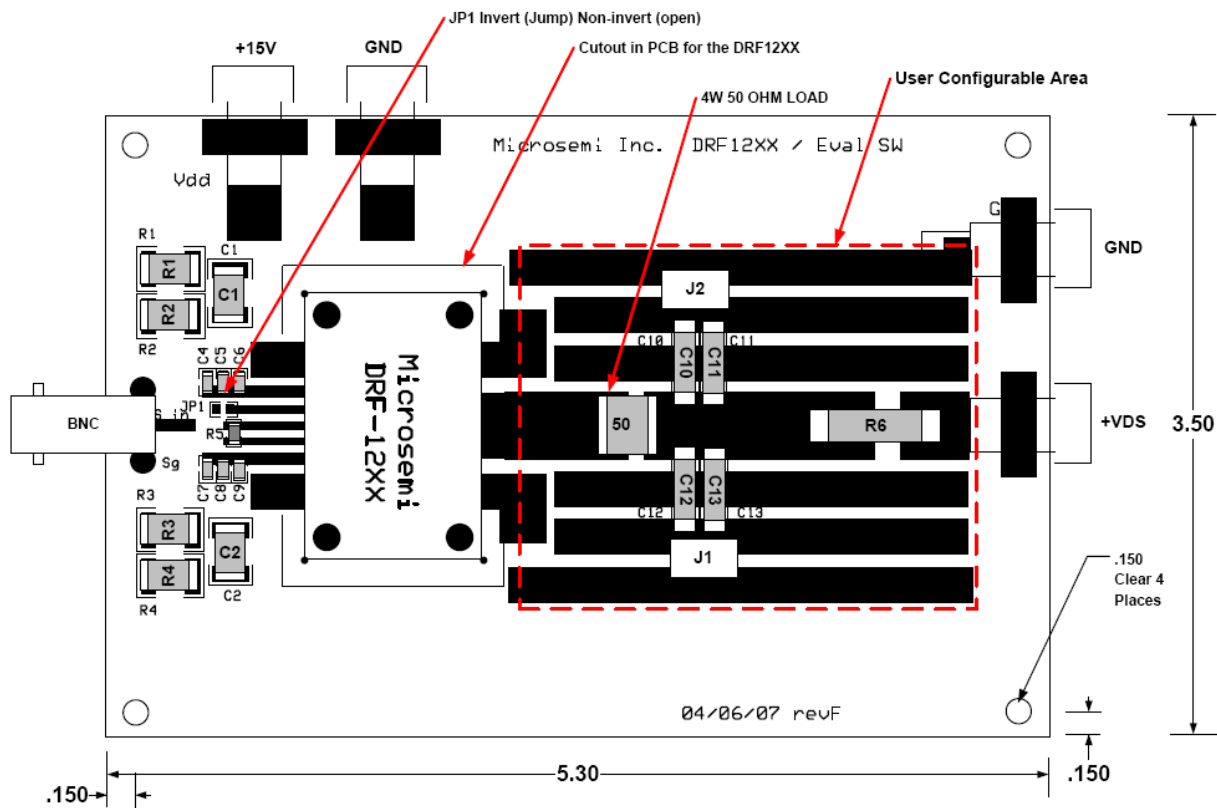
**Table 2**

Table 2 shows Evaluation board inputs and outputs and the highly recommended Common Mode Chokes (CMC) that should be used for the test bench set-up. This approach provides the best stability and the most accurate measurements.

Construction of the CMCs are illustrated in Figure 3. The CMC on the left should be used for both the +15V input and the +HV VDS input. These lines are tightly twisted pairs (5-8 twists per inch). The CMC on the right should be used for the control signal Input and on the Scope Probe Cable. Three to five turns on each is sufficient. The CMCs should be placed as close to the DRF12XX Evaluation Board as practical.



**Figure 3. Common Mode Choke (CMC)**  
FairRite part number 0431164181



**Figure 4. DRF12XX Evaluation Board**  
All Dimensions are  $\pm 0.010$  In. Max.

The DRF12XX evaluation board is initially configured as shown mechanically in Figure 4. The main purpose of the board is to verify SWITCHING PERFORMANCE for DRF12xx devices.

Mounting Instructions for Flangeless Devices: Refer to Application Note 1810 “DRF Device Mounting Procedures And Power Dissipation”.



Компания «ЭлектроПласт» предлагает заключение долгосрочных отношений при поставках импортных электронных компонентов на взаимовыгодных условиях!

Наши преимущества:

- Оперативные поставки широкого спектра электронных компонентов отечественного и импортного производства напрямую от производителей и с крупнейших мировых складов;
- Поставка более 17-ти миллионов наименований электронных компонентов;
- Поставка сложных, дефицитных, либо снятых с производства позиций;
- Оперативные сроки поставки под заказ (от 5 рабочих дней);
- Экспресс доставка в любую точку России;
- Техническая поддержка проекта, помощь в подборе аналогов, поставка прототипов;
- Система менеджмента качества сертифицирована по Международному стандарту ISO 9001;
- Лицензия ФСБ на осуществление работ с использованием сведений, составляющих государственную тайну;
- Поставка специализированных компонентов (Xilinx, Altera, Analog Devices, Intersil, Interpoint, Microsemi, Aeroflex, Peregrine, Syfer, Eurofarad, Texas Instrument, Miteq, Cobham, E2V, MA-COM, Hittite, Mini-Circuits, General Dynamics и др.);

Помимо этого, одним из направлений компании «ЭлектроПласт» является направление «Источники питания». Мы предлагаем Вам помощь Конструкторского отдела:

- Подбор оптимального решения, техническое обоснование при выборе компонента;
- Подбор аналогов;
- Консультации по применению компонента;
- Поставка образцов и прототипов;
- Техническая поддержка проекта;
- Защита от снятия компонента с производства.



#### Как с нами связаться

**Телефон:** 8 (812) 309 58 32 (многоканальный)

**Факс:** 8 (812) 320-02-42

**Электронная почта:** [org@eplast1.ru](mailto:org@eplast1.ru)

**Адрес:** 198099, г. Санкт-Петербург, ул. Калинина, дом 2, корпус 4, литера А.