

Output signal conditioner - MACX MCR-SL-IDS-I-SP - 2924223

Please be informed that the data shown in this PDF Document is generated from our Online Catalog. Please find the complete data in the user's documentation. Our General Terms of Use for Downloads are valid (<http://phoenixcontact.com/download>)



Output signal conditioner, HART. Isolates and transfers 0/4-20 mA signals to a load (I/P converters, control valves, displays). Electrical 3-way isolation, wire break recognition, SIL 2 in accordance with IEC 61508, spring-cage connection.

The illustration shows the versions with screw connection

Product Features

- Power supply possible via DIN rail connector
- Up to SIL 2 according to EN 61508
- Installation in zone 2, protection type "n" (EN 60079-15) permitted
- Line fault detection (LFD)
- 0/4 ... 20 mA output
- 0/4 ... 20 mA input
- Plug-in screw or spring-cage connection technology (Push-in technology), with integrated sockets for HART communicators
- 3-way electrical isolation
- Bidirectional transmission of digital HART communication signals



Key Commercial Data

Packing unit	1 pc
Custom tariff number	85437090
Country of origin	Germany

Technical data

Note

Utilization restriction	EMC: class A product, see manufacturer's declaration in the download area
-------------------------	---

Dimensions

Output signal conditioner - MACX MCR-SL-IDS1-I-SP - 2924223

Technical data

Dimensions

Width	12.5 mm
Height	99 mm
Depth	114.5 mm

Ambient conditions

Ambient temperature (operation)	-20 °C ... 60 °C (Any mounting position)
Ambient temperature (storage/transport)	-40 °C ... 80 °C
Maximum altitude	≤ 2000 m
Permissible humidity (operation)	10 % ... 95 % (non-condensing)
Noise immunity	EN 61000-6-2 When being exposed to interference, there may be minimal deviations.
Degree of protection	IP20

Input data

Current input signal	0 mA ... 20 mA
	4 mA ... 20 mA
Input voltage limitation	5.4 V (at 20 mA)
Input impedance	> 100 kΩ (If there is a line fault)

Output data

Signal output	Current output
Current output signal	0 mA ... 20 mA
	4 mA ... 20 mA
Transmission Behavior	1:1 to input signal
Load/output load current output	< 800 Ω (20 mA)
	< 730 Ω (22.5 mA)
Output ripple	< 20 mV _{rms}

Power supply

Nominal supply voltage	24 V DC
Supply voltage range	19.2 V DC ... 30 V DC (24 V DC -20%...+25%)
Max. current consumption	< 46 mA (24 V DC / 20 mA)
Power consumption	< 1.1 W (24 V DC / 20 mA)

Connection data

Conductor cross section solid min.	0.2 mm ²
Conductor cross section solid max.	1.5 mm ²
Conductor cross section flexible min.	0.2 mm ²
Conductor cross section flexible max.	1.5 mm ²
Conductor cross section AWG min.	24

Output signal conditioner - MACX MCR-SL-IDS1-I-SP - 2924223

Technical data

Connection data

Conductor cross section AWG max.	16
Stripping length	8 mm
Connection method	Push-in connection

General

No. of channels	1
Maximum transmission error	< 0.1 % (of final value)
Maximum temperature coefficient	< 0.01 %/K
Step response (10-90%)	< 140 µs (for 4 mA ... 20 mA step)
Status display	Green LED (supply voltage)
Flammability rating according to UL 94	V0
Degree of pollution	2
Overvoltage category	II
Emitted interference	EN 61000-6-4
Housing material	PA 66-FR
Color	green
Designation	Input/output/power supply
Electrical isolation	1.5 kV (50 Hz, 1 min., test voltage)
	300 V _{rms} (Rated insulation voltage (overvoltage category II, degree of pollution 2))
Designation	Input/output
Electrical isolation	375 V (Peak value in accordance with EN 60079-11)
Designation	Output/supply
Electrical isolation	375 V (Peak value in accordance with EN 60079-11)
Conformance	CE-compliant, additionally EN 61326-1
ATEX	# II 3 G Ex nA IIC T4 Gc X
UL, USA / Canada	UL 508 Listed
	UL 61010 Listed
	Class I, Div. 2, Groups A, B, C, D T4
	Class I, Zone 2, Group IIC T4
GL	C, EMC1

Data communication (bypass)

HART function	Yes
Protocols supported	HART

Safety characteristic data

Integrity requirement	IEC 61508 - Low demand
Equipment type	Type A

Output signal conditioner - MACX MCR-SL-IDSII-SP - 2924223

Technical data

Safety characteristic data

Safety Integrity Level (SIL)	Up to 2
Safe Failure Fraction (SFF)	94.68 %
λ_{SU}	4.965×10^{-7} (496.5 FIT)
λ_{SD}	0
λ_{DU}	2.79×10^{-8} (27.9 FIT)
λ_{DD}	0
Probability of a hazardous failure on demand (PFD _{AVG})	1.22×10^{-4} (1 year)
	6.1×10^{-4} (5 years)
	12.2×10^{-4} (10 years)
Diagnostic coverage (DC)	DC _S = 0%, DC _D = 0%
Integrity requirement	IEC 61508 - High demand
Equipment type	Type A
Safety Integrity Level (SIL)	Up to 2
Safe Failure Fraction (SFF)	94.68 %
λ_{SU}	4.965×10^{-7} (496.5 FIT)
λ_{SD}	0
λ_{DU}	2.79×10^{-8} (27.9 FIT)
λ_{DD}	0
Probability of a hazardous failure per hour (PFH _D)	$2,79 \times 10^{-8}$
Diagnostic coverage (DC)	DC _S = 0%, DC _D = 0%

EMC data

Designation	Electromagnetic RF field
Standards/regulations	EN 61000-4-3

Standards and Regulations

Noise emission	EN 61000-6-4
Designation	Electromagnetic RF field
Standards/regulations	EN 61000-4-3
Flammability rating according to UL 94	V0
Conformance	CE-compliant, additionally EN 61326-1
ATEX	# II 3 G Ex nA IIC T4 Gc X
UL, USA / Canada	UL 508 Listed
	UL 61010 Listed
	Class I, Div. 2, Groups A, B, C, D T4
	Class I, Zone 2, Group IIC T4

Output signal conditioner - MACX MCR-SL-IDSII-SP - 2924223

Technical data

Standards and Regulations

GL	C, EMC1
----	---------

Classifications

eCl@ss

eCl@ss 4.0	27210121
eCl@ss 4.1	27210121
eCl@ss 5.0	27210121
eCl@ss 5.1	27210121
eCl@ss 6.0	27210121
eCl@ss 7.0	27210121
eCl@ss 8.0	27210121

ETIM

ETIM 2.0	EC001431
ETIM 3.0	EC001596
ETIM 4.0	EC002653
ETIM 5.0	EC002653

UNSPSC

UNSPSC 6.01	30211506
UNSPSC 7.0901	39121008
UNSPSC 11	39121008
UNSPSC 12.01	39121008
UNSPSC 13.2	39121008

Approvals

Approvals

Approvals

Functional Safety / UL Listed / cUL Listed / EAC / cULus Listed

Ex Approvals

UL Listed / cUL Listed / ATEX / cULus Listed

Output signal conditioner - MACX MCR-SL-IDS1-I-SP - 2924223

Approvals

Approvals submitted

Approval details

Functional Safety

UL Listed

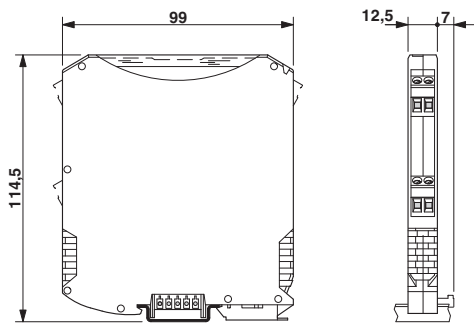
cUL Listed

EAC

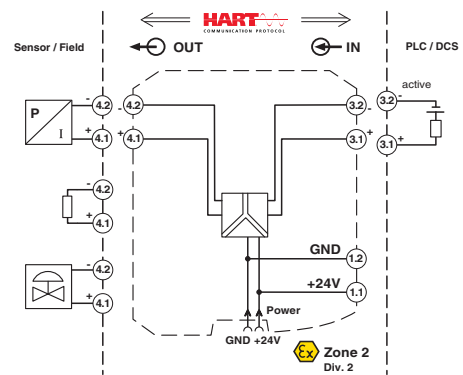
cULus Listed

Drawings

Dimensional drawing



Block diagram





Компания «ЭлектроПласт» предлагает заключение долгосрочных отношений при поставках импортных электронных компонентов на взаимовыгодных условиях!

Наши преимущества:

- Оперативные поставки широкого спектра электронных компонентов отечественного и импортного производства напрямую от производителей и с крупнейших мировых складов;
- Поставка более 17-ти миллионов наименований электронных компонентов;
- Поставка сложных, дефицитных, либо снятых с производства позиций;
- Оперативные сроки поставки под заказ (от 5 рабочих дней);
- Экспресс доставка в любую точку России;
- Техническая поддержка проекта, помощь в подборе аналогов, поставка прототипов;
- Система менеджмента качества сертифицирована по Международному стандарту ISO 9001;
- Лицензия ФСБ на осуществление работ с использованием сведений, составляющих государственную тайну;
- Поставка специализированных компонентов (Xilinx, Altera, Analog Devices, Intersil, Interpoint, Microsemi, Aeroflex, Peregrine, Syfer, Eurofarad, Texas Instrument, Miteq, Cobham, E2V, MA-COM, Hittite, Mini-Circuits, General Dynamics и др.);

Помимо этого, одним из направлений компании «ЭлектроПласт» является направление «Источники питания». Мы предлагаем Вам помощь Конструкторского отдела:

- Подбор оптимального решения, техническое обоснование при выборе компонента;
- Подбор аналогов;
- Консультации по применению компонента;
- Поставка образцов и прототипов;
- Техническая поддержка проекта;
- Защита от снятия компонента с производства.



Как с нами связаться

Телефон: 8 (812) 309 58 32 (многоканальный)

Факс: 8 (812) 320-02-42

Электронная почта: org@eplast1.ru

Адрес: 198099, г. Санкт-Петербург, ул. Калинина, дом 2, корпус 4, литера А.