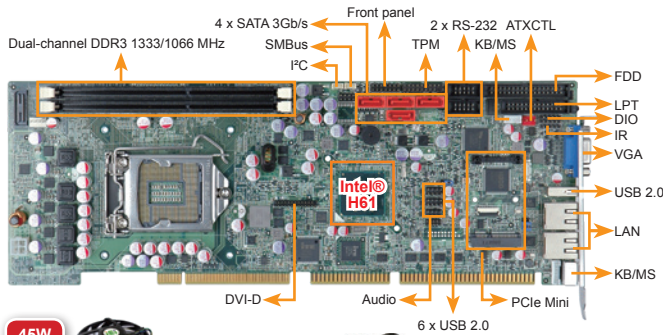


# WSB-H610-R11

Full-size PICMG 1.0 CPU Card supports 32nm LGA 1155 Intel® Core™ i7/i5/i3, Pentium® or Celeron® CPU with Intel® H61, DDR3, VGA, DVI-D, Dual Realtek PCIe GbE, USB 2.0, SATA 3Gb/s, COM, HD Audio and RoHS



## Features

- Full-size PICMG 1.0 CPU card with LGA 1155 Intel® Core™ i7/i5/i3, Pentium® or Celeron® processor supported
- Two DDR3 & DDR3L 1333/1066 MHz DIMM SDRAM support up to 16 GB
- Embedded controller on board supports infrared and PECEI 2.0 technologies
- Dual Realtek PCIe GbE and LAN1 with ASF 2.0 support
- TPM V1.2 hardware security function supported by TPM module
- IEI One Key Recovery solution allows you to create raidp OS backup and recovery

## Specifications

- ◆ CPU: LGA 1155 socket supports Intel® Core™ i7/i5/i3, Pentium® or Celeron® processor
- ◆ Chipset: Intel® H61
- ◆ Memory: Two 240-pin 1333/1066 MHz dual-channel DDR3 & DDR3L SDRAM unbuffered DIMMs support up to 16 GB
- ◆ BIOS: UEFI
- ◆ Graphics Engine  
Intel® HD Graphics Gen 6 supports DX10.1 and OpenGL 3.0  
Full MPEG2, VC1, AVC Decode
- ◆ Display Output  
1 x VGA (up to 2048x1536@75Hz)  
1 x DVI-D (up to 1920x1200@60Hz)  
(via header to IO-KIT-001-R20 DVI-D/USB module) (optional)
- ◆ Ethernet  
LAN1: Realtek RTL8111E PCIe GbE controller with ASF 2.0 support  
LAN2: Realtek RTL8111E PCIe GbE controller
- ◆ External I/O Interface  
1 x KB/MS 1 x USB 2.0
- ◆ Internal I/O Interface  
1 x FDD (2x17 pin) 1 x KB/MS (1x6 pin)  
1 x LPT (2x13 pin) 1 x RS-422/485 (1x4 pin, P=2.0)  
2 x RS-232 (2x5pin, P=2.54)  
4 x SATA 3Gb/s (no AHCI & RAID support)  
6 x USB 2.0 (2x4 pin, P=2.54)
- ◆ Audio: Supports 7.1-channel HD Audio by IEI AC-KIT-892HD-R10 kit
- ◆ Front Panel  
1 x Front panel (2x7 pin, power LED, HDD LED, speaker, power button, reset button)
- ◆ TPM: 1 x TPM (2x10 pin)
- ◆ SMBus: 1 x SMBus (1x4 pin)
- ◆ I²C: 1 x I²C (1x4 pin)
- ◆ Expansion  
PCI signal and ISA signal via golden finger
- ◆ Watchdog Timer  
Software programmable supports 1~255 sec. system reset
- ◆ Digital I/O: 8-bit digital I/O (2x5 pin)
- ◆ Fan Connector  
1 x CPU smart fan (1x4 pin)  
1 x System smart fan (1x4 pin)
- ◆ Power Supply: 5V/12V, AT/ATX support
- ◆ Power Consumption  
5V@4.53A, 12V@0.19A, Vcore\_12V@7.81A, 5VSB@0.18A (3.4GHz Intel® Core™ i7-2600K with two 2 GB 1333 MHz DDR3 memory)
- ◆ Operating Temperature: -10°C ~ 60°C
- ◆ Storage Temperature: -20°C ~ 70°C
- ◆ Operating Humidity  
5% ~ 95%, non-condensing
- ◆ Dimensions: 338 mm x 122 mm
- ◆ Weight: GW: 1000g / NW: 260g
- ◆ CE/FCC compliant

## Packing List

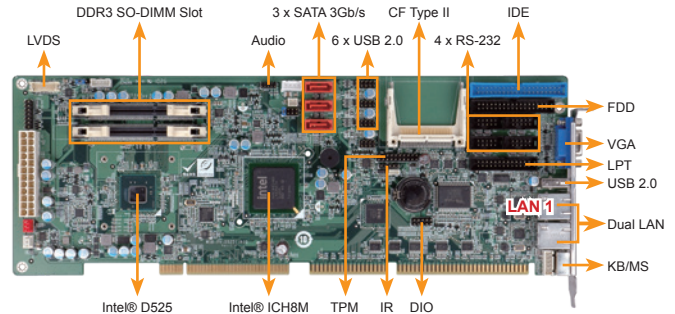
1 x WSB-H610 single board computer	2 x SATA cable
1 x Dual RS-232 cable with bracket	1 x Mini jumper pack
1 x KB/MS Y cable	1 x QIG
1 x USB cable	

## Ordering Information

Part No.	Description
WSB-H610-R11	Full-size PICMG 1.0 CPU card supports 32nm LGA 1155 Intel® Core™ i7/i5/i3, Pentium® or Celeron® CPU with Intel® H61, DDR3, VGA, dual Realtek PCIe GbE, USB 2.0, SATA 3Gb/s, COM, HD Audio and RoHS
WSB-H610-DVI-R11	Full-size PICMG 1.0 CPU card supports 32nm LGA 1155 Intel® Core™ i7/i5/i3, Pentium® or Celeron® CPU with Intel® H61, DDR3, VGA, DVI-D, dual Realtek PCIe GbE, USB 2.0, SATA 3Gb/s, COM, HD Audio and RoHS
19800-000049-RS	LPT flat cable, 240mm, P=2.54
19800-000075-RS	PS/2 KB/MS cable with bracket, 220mm, P=2.0
32006-000300-100-RS	PS/2 KB/MS Y-cable without bracket, 140mm/120mm
32102-000100-200-RS	SATA power cable, MOLEX 5264-4P to SATA15P
32200-000017-RS	FDD cable, 520mm, P=2.54
AC-KIT-892HD-R10	7.1-channel HD Audio kit with Realtek ALC892 supports dual audio streams
CF-115XA-R10	High performance LGA 1155/LGA 1156 cooler kit, 1U chassis compatible, 73W
CF-1156C-R20	LGA 1155/LGA 1156 cooler kit, 1U chassis compatible, 45W
CF-1156D-R20	LGA 1155/LGA 1156 cooler kit, 1U chassis compatible, 65W
CF-115XE-R10	High performance LGA 1155/LGA 1156 cooler kit, 95W
SAIDE-KIT01-R10	SATA to IDE/CF converter board
TPM-IN01-R20	20-pin Infineon TPM module, software management tool, firmware v3.17

# WSB-PV-D4251/D5251

Full-size PICMG 1.0 CPU Card with Intel® Atom™ D425/D525, DDR3, VGA, LVDS, Dual PCIe GbE, SATA 3Gb/s, COM, USB 2.0, Audio and RoHS



## Features

- PICMG 1.0 form factor and RoHS compliant
- Supports Intel® Atom™ D425/D525 1.80GHz processor
- Supports 800 MHz DDR3 SDRAM SO-DIMM up to 4 GB
- Dual PCIe Ethernet, three SATA 3Gb/s, and four RS-232 serial port connectors
- VGA and 18-bit single-channel LVDS for dual independent display support
- TPM V1.2 hardware security function supported by TPM module
- IEI One Key Recovery solution allows you to create rapid OS backup and recovery

## Specifications

- ◆ CPU  
Intel® Atom™ D525 dual-core processor (1.80GHz, dual-core, 1MB cache)  
Intel® Atom™ D425 single-core processor (1.80GHz, single-core, 512KB cache)
- ◆ Chipset: ICH8M
- ◆ BIOS: UEFI BIOS
- ◆ System Memory  
One 240-pin 800 MHz dual-channel DDR3 SDRAM unbuffered DIMMs support up to 4 GB
- ◆ Graphics Engine  
GMA 3150, Gen3.5 DX9, 400 MHz
- ◆ Display output  
1 x VGA (up to 2048x1536@60Hz)  
1 x 18-bit single channel LVDS (up to 1366x768@60Hz)
- ◆ Ethernet  
LAN1: Realtek RTL8111E PCIe GbE controller with ASF 2.0 support  
LAN2: Realtek RTL8111E PCIe GbE controller
- ◆ TPM: 1 x TPM (2x10 pin)
- ◆ SMBus: 1 x SMBus (1x4 pin)
- ◆ Digital I/O: 8-bit digital I/O (2x5 pin)
- ◆ Infrared Interface: 1 x Infrared Interface (1x5 pin)
- ◆ External I/O Interface  
1 x KB/MS 1 x USB 2.0
- ◆ Internal I/O Interface  
1 x FDD (2x17 pin) 1 x IDE (2x20 pin, P=2.54)  
1 x LPT (2x13 pin) 1 x KB (1x5 pin, P=2.5)  
4 x RS-232 (2x5pin, P=2.54)  
4 x SATA 3Gb/s  
6 x USB 2.0 (2x4 pin, P=2.54)
- ◆ Audio  
Supports 7.1-channel HD Audio by IEI AC-KIT-892HD-R10 kit
- ◆ Watchdog Timer  
Software programmable supports 1~255 sec. system reset
- ◆ Power Supply: AT/ATX power
- ◆ Power Consumption  
5V@5.16A, 12@0.55A (Intel® dual core Atom™ D525 1.80GHz with two 2 GB 1066 MHz DDR3 memory)
- ◆ Operating Temperature  
-20°C ~ 60°C with free air, -20°C ~ 70°C with force air for D525 processor  
-20°C ~ 65°C with free air, -20°C ~ 70°C with force air for D425 processor
- ◆ Storage Temperature: -30°C ~ 70°C
- ◆ Operating Humidity: 5% ~ 95%, non-condensing
- ◆ Dimensions: 338 mm x 122 mm
- ◆ Weight: GW: 1100g
- ◆ CE/FCC compliant

## Packing List

1 x WSB-PV-D4251/D5251 single board computer	2 x SATA cable
1 x Dual RS-232 cable	1 x Mini jumper pack
1 x USB cable	1 x QIG

## Ordering Information

Part No.	Description
WSB-PV-D5251-R10	Full-size PICMG 1.0 CPU card with Intel® dual-core Atom™ D525 1.80GHz/1MB L2 cache, DDR3, VGA, LVDS, dual PCIe GbE, SATA 3Gb/s, COM, USB 2.0, audio, RoHS
WSB-PV-D4251-R10	Full-size PICMG 1.0 CPU card with Intel® single-core Atom™ D425 1.80GHz/512KB L2 cache, DDR3, VGA, LVDS, dual PCIe GbE, SATA 3Gb/s, COM, USB 2.0, audio, RoHS
19800-000049-RS	LPT flat cable, 240mm, P=2.54
19800-000100-200-RS	Quad-port USB cable, 300mm, P=2.54
19FFD124010HB2A7-000001-RS	CPU fan
32006-000300-100-RS	PS/2 KB/MS Y-cable without bracket, 140mm/120mm
32102-000100-200-RS	SATA power cable, MOLEX 5264-4P to SATA15P
32200-000017-RS	FDD cable, 520mm, P=2.54
32225-002000-200-RS	ATA 66 flat cable, 457mm, P=2.54
34000-000510-RS	30mm higher heatsink
AC-KIT-892HD-R10	7.1-channel HD Audio kit with Realtek ALC892 supports dual audio streams
TPM-IN01-R20	20-pin Infineon TPM module, software management tool, firmware v3.17



Компания «ЭлектроПласт» предлагает заключение долгосрочных отношений при поставках импортных электронных компонентов на взаимовыгодных условиях!

Наши преимущества:

- Оперативные поставки широкого спектра электронных компонентов отечественного и импортного производства напрямую от производителей и с крупнейших мировых складов;
- Поставка более 17-ти миллионов наименований электронных компонентов;
- Поставка сложных, дефицитных, либо снятых с производства позиций;
- Оперативные сроки поставки под заказ (от 5 рабочих дней);
- Экспресс доставка в любую точку России;
- Техническая поддержка проекта, помощь в подборе аналогов, поставка прототипов;
- Система менеджмента качества сертифицирована по Международному стандарту ISO 9001;
- Лицензия ФСБ на осуществление работ с использованием сведений, составляющих государственную тайну;
- Поставка специализированных компонентов (Xilinx, Altera, Analog Devices, Intersil, Interpoint, Microsemi, Aeroflex, Peregrine, Syfer, Eurofarad, Texas Instrument, Miteq, Cobham, E2V, MA-COM, Hittite, Mini-Circuits, General Dynamics и др.);

Помимо этого, одним из направлений компании «ЭлектроПласт» является направление «Источники питания». Мы предлагаем Вам помощь Конструкторского отдела:

- Подбор оптимального решения, техническое обоснование при выборе компонента;
- Подбор аналогов;
- Консультации по применению компонента;
- Поставка образцов и прототипов;
- Техническая поддержка проекта;
- Защита от снятия компонента с производства.



#### Как с нами связаться

**Телефон:** 8 (812) 309 58 32 (многоканальный)

**Факс:** 8 (812) 320-02-42

**Электронная почта:** [org@eplast1.ru](mailto:org@eplast1.ru)

**Адрес:** 198099, г. Санкт-Петербург, ул. Калинина, дом 2, корпус 4, литера А.